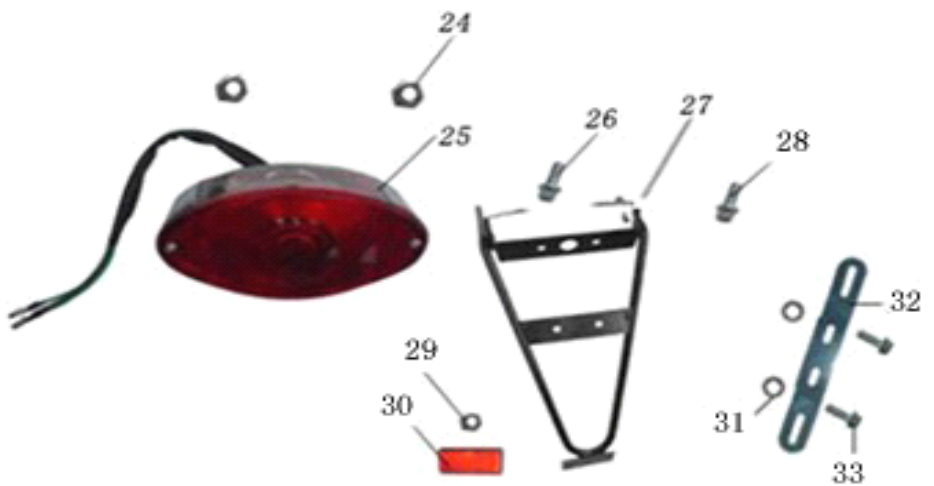
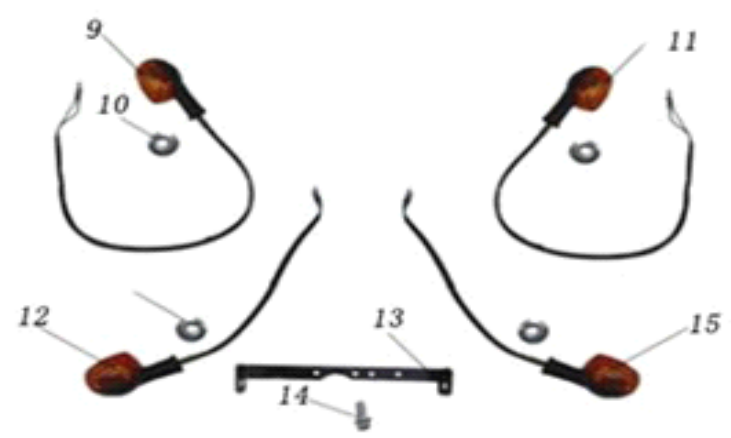


NO.	Part NO.	Description	Description in English	数量Qty	价格Price	备注Remark
1	XT50GY-1105000002	右油箱护罩	R. COVER, FUEL TANK	1		
2	GB/T5789-1986	螺栓M6×20	BOLT M6×20	2		
3	GB/T845-1985	自攻螺钉	SCREW ST3.8×12	1		
4	JB608.1-99	锁片	CUP	1		
5	XT50GY-1105000001	左油箱护罩	L. COVER, FUEL TANK	1		
6	GB/T845-1985	自攻螺钉	SCREW ST3.8×12	1		
7	GB/T5789-1986	螺栓M6×16	BOLT	2		
8	GB/T96.1-2002	垫片6	WASHER 6	2		
9	XT50GY-1600000002	油箱缓冲垫	CUSHION	1		
10	XT50GY-1208010000	油箱盖	COVER OF FUEL TANK	1		
11	XT50GY-0300000000	油箱	FUEL TANK	1		
12	XT50GY-0304000000	油箱开关分组件	SWITCH ASSY, FUEL TANK	1		
13	XT50GY-1600000004	油管Φ5×Φ8.5	FUEL TUBEΦ5×Φ8.5	1		
14	GB/T5789-1986	螺栓M6×20	BOLT M6×20	2		
15	GB/T96.1-2002	垫片6	WASHER 6	2		
16	XT50GY-1600000001	橡胶缓冲垫	CUSHION	2		
17	GB/T947-1988	螺钉M6×16	BOLT M6×16	4		
18	XT50GY-1600000013	垫圈	CUSHION	4		
19	XT50GY-1101000002	右护板	R. SIDE COVER	1		
20	XT50GY-1101000001	左护板	L. SIDE COVER	1		
21	XT50GY-1600000013	垫圈	CUSHION	4		

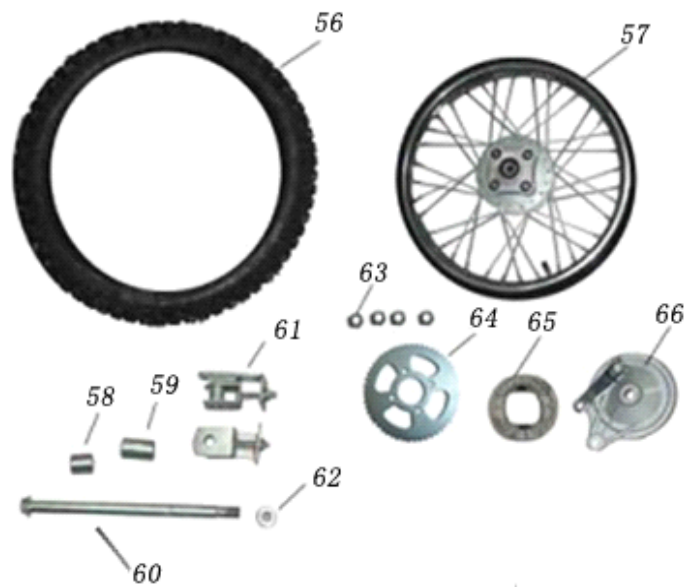
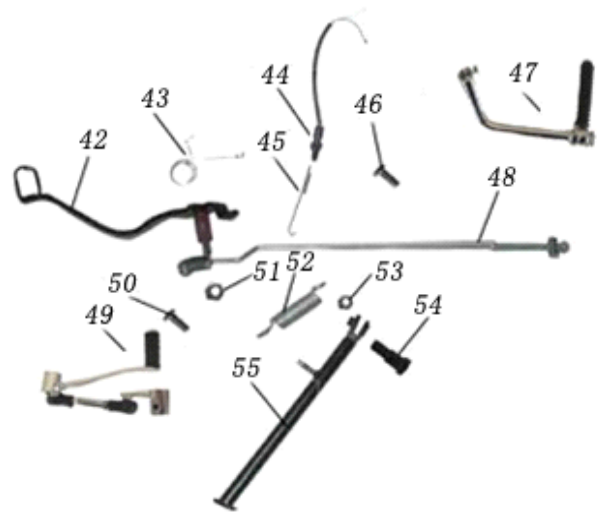
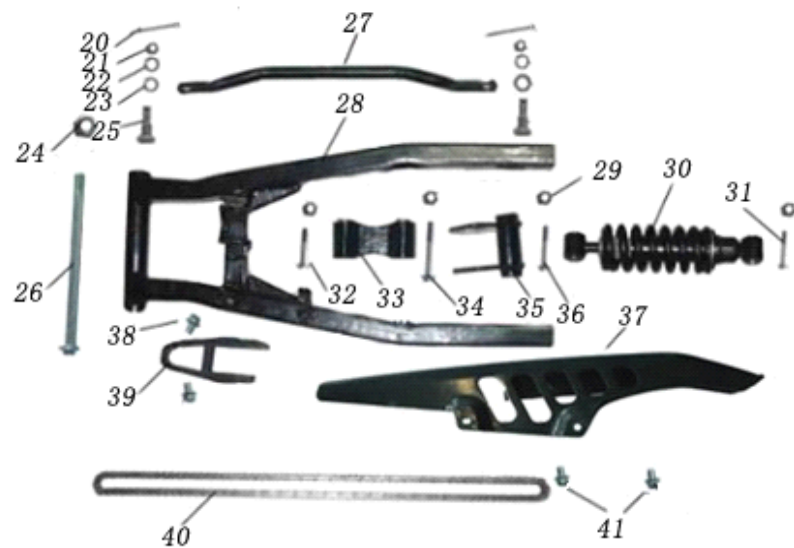
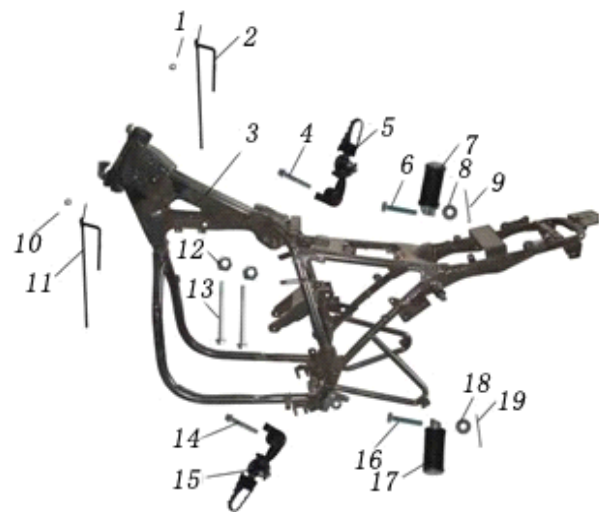
22	GB/T947-1988	螺钉M6×16	BOLT M6×16	4		
23	GB/T5789-1986	螺栓M6×16	BOLT M6×16	3		
24	XT50GY-1108010000	内泥板	RR. FENDER	1		
25	GB/T947-1988	螺钉M6×16	BOLT M6×16	4		
26	XT50GY-1600000013	垫圈	CUSHION	4		
27	XT50GY-1101000002	右装饰罩	R. DECK COVER	1		
28	XT50GY-1101000001	左装饰罩	L. DECK COVER	1		
29	XT50GY-0501000007	轮胎2.75-21	TYRE	1		
30	XT50GY-0501000008	内胎	INNER TUBE	1		
31	XT50GY-0501000000	前轮	FRONT WHEEL	1		
32	XT50GY-0501030000	液压盘式制动器	DISK CONTROL	1		
33	XT50GY-0501030001	液压盘	DISK CONTROL	1		
34	XT50GY-0501000001	前轮轴	BUSHING OF FRONT WHEEL	1		
35	XT50GY-0501031000	计数器	ARITHMOMETER	1		
36	XT50GY-0501000002	前轮轴套	FRONT WHEEL BUSHING	1		
37	GB/T6187.1-2000	六角法兰面自锁螺母M12	HEXAGON BOLT M12	1		
38	XT50GY-0501035000	保险片	INSURANCE PIECE	2		
39	GB5787-86	液压盘固定螺栓M8×20	BOLT OF DISK BRAKE	4		
40	GB/T5789-1986	六角法兰面螺栓M8×35	HEXAGON BOLT M8×35	2		
41	GB/T5789-1986	螺栓M8×16	BOLT M8×16	2		
42	XT50GY-1000000000	座垫	SEAT CUSHION	1		
43	XT50GY-1103000000	尾盖	TAIL COVER	1		

44	XT50GY-1600000013	垫圈	CUSHION	1		
45	GB/T96.1-2002	垫片6	WASHER 6	1		
46	GB/T947-1988	螺钉M6×16	BOLT M6×16	1		
47	GB/T5789-1986	螺栓M8×70	BOLT M8×50	2		
48	GB/T6177.1-2000	螺母M8	NUT M8	2		
49	XT50GY-1400000000	载物架	REAR RACK	1		



NO.	Part NO.	Description	Description in English	数量Qty	价格Price	备注Remark
1	XT50GY-1213000000	喇叭	HORN	1		
2	XT50GY-1210000000	单撑熄火开关	PARKING DETERRENT FLAMEOUT	1		
3	GB/T5789-1986	螺栓M6×12	BULT M6×12	1		
4	GB/T93-1987	垫片	WASHER	1		
5	XT50GY-1208000000	电门锁	IGNITION LOCK	1		
6	GB/T818-2000	螺钉M5×8	SCREW M5×8	2		
7	XT50GY-1208020000	钥匙	KEYS	2		
8	XT50GY-0705000000	主电缆	WIRING HARNESS	1		
9	XT50GY-1203020000	后转向灯	RR. TURNING LIGHT	1		
10	GB/T6177.1-2000	螺母M14	NUT M14	4		
11	XT50GY-1203020000	后转向灯	RR. TURNING LIGHT	1		
12	XT50GY-1203010000	前转向灯	FR. TURNING LIGHT	1		
13	XT50GY-1800000014	前转向灯支架	BRACKET, FR. TURNING LIGHT	1		
14	GB/T5789-1986	螺栓M6×25	BULT M6×25	2		
15	XT50GY-1203010000	前转向灯	FR. TURNING LIGHT	1		
16	XT50GY-0706010000	整流器	RECTIFIER ASSY	1		
17	XT50GY-0706030000	高压包	HIGH VOLTAGE WIRE ASSY	1		
18	XT50GY-0706040000	继电器	RELAY ASSY	1		
19	GB/T5789-1986	螺栓M6×16	BULT M6×16	1		
20	GB/T5783-2000	螺栓M6×25	BULT M6×16	2		
21	XT50GY-0705010000	保险丝	PROTECTOR	2		
22	XT50GY-0706020000	点火器	ASSY	1		
23	XT50GY-1206000000	闪光器	FLASHER	1		

24	GB/T6170-2000	螺母M6	NUT M6	2		
25	XT50GY-1202000000	尾灯	TAILLIGHT	1		
26	GB/T5789-1986	螺栓M8×20	BULT M8×20	1		
27	XT50GY-1800000008	牌照支架	BRACKET RR. LICENSE PLATE	1		
28	GB/T5789-1986	螺栓M8×20	BULT M8×20	1		
29	GB/T6170-2000	螺母M5	NUT M5	1		
30	XT50GY-1217000000	后反射器	RR. REFLECTOR	1		
31	GB/T6170-2000	螺母M6	NUT M6	2		
32	XT50GY-1112010000	牌照支架	License packing block	1		
33	GB/T5789-1986	螺栓M6×20	BULT M6×20	2		

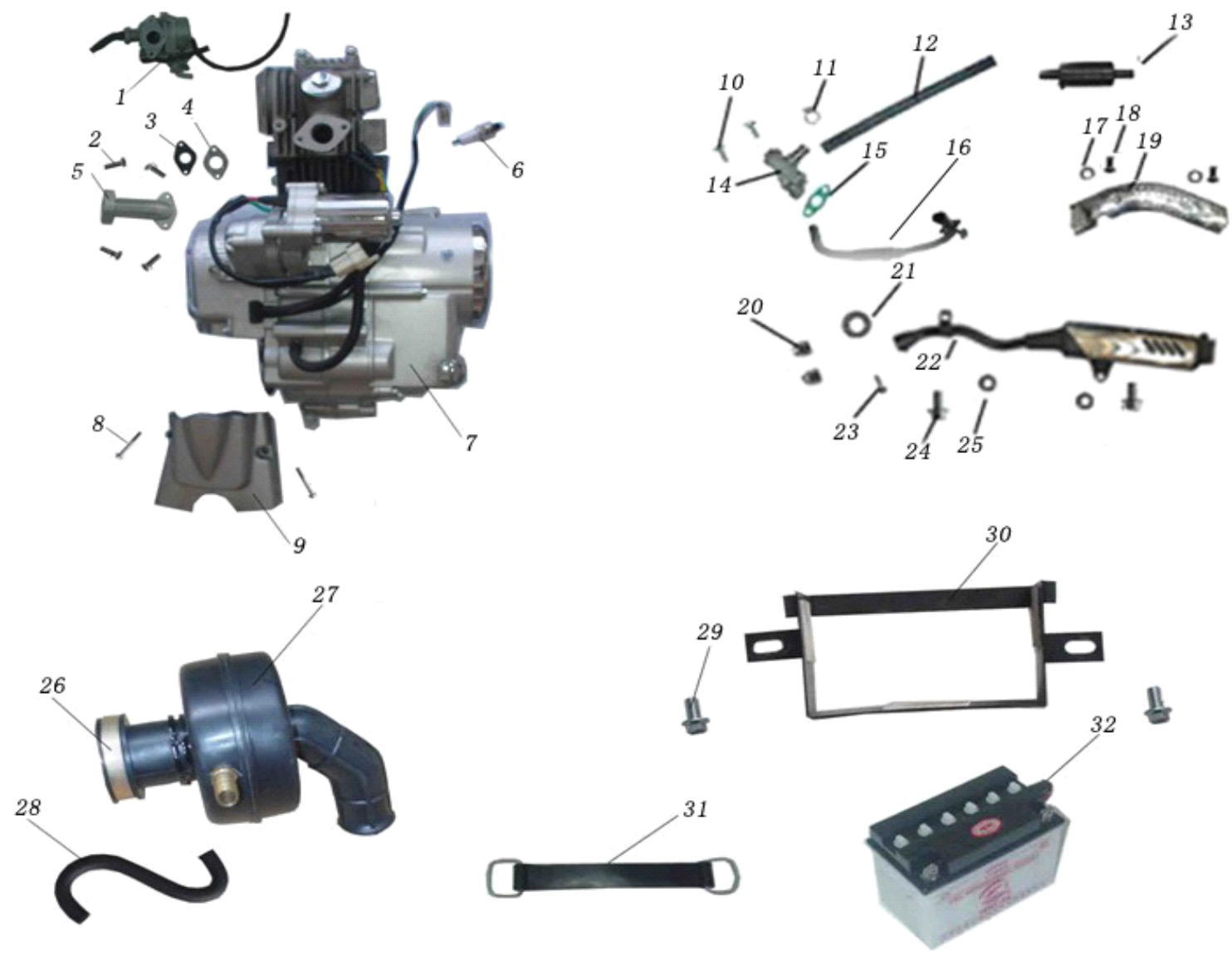


NO.	Part NO.	Description	Description in English	数量Qty	价格Price	备注Remark
1	GB/T6177. 1-2000	螺母M6	NUT M6	2		
2	XT50GY-1800000016	右导风支架	GRILLE. R	1		
3	XT50GY-0600000000	车架	VEHICLE FRAME	1		
4	GB/T5789-1986	螺栓	BOLT M8×40	2		
5	XT50GY-0603020000	右前搁脚	FRONT FOOTREST .R	1		
6	XT50GY-0603010001	销轴	PIN	2		
7	XT50GY-0602020000	右后搁脚	RR FOOTREST .R	1		
8	GB/T97. 1-2002	垫片6	WASHER 6	1		
9	GB/T91-2000	开口销2×16	COTTER PIN 2×16	1		
10	GB/T6177. 1-2000	螺母M6	NUT M6	2		
11	XT50GY-1800000016	左导风支架	GRILLE. L	1		
12	GB/T6177. 1-2000	螺母M8	NUT M8	2		
13	GB/T5789-1986	螺栓M8×110	BOLT M8×110	2		
14	GB/T5789-1986	螺栓	BOLT M8×40	2		
15	XT50GY-0603010000	左前搁脚	FRONT FOOTREST .L	1		
16	XT50GY-0603010001	销轴	PIN	2		
17	XT50GY-0602010000	左后搁脚	RR FOOTREST .L	1		
18	GB/T97. 1-2002	垫片6	WASHER 6	1		
19	GB/T91-2000	开口销2×16	COTTER PIN 2×16	1		
20	GB/T91-2000	开口销2×16	COTTER PIN 2×16	2		
21	GB/T6170-2000	螺母M8	NUT M8	2		

22	GB/T93-1987	弹垫8	WASHER 8	2		
23	GB95-85	平垫8	WASHER 8	2		
24	GB/T6187.1-2000	自锁螺母M14	NUT M14	1		
25	XT50GY-0605000001	台阶螺栓M8×28	BOLT M8×28	2		
26	XT50GY-1800000003	平叉轴M14×225	SHAFT REAR FORK M14×225	1		
27	XT50GY-0605000000	固定杆	TORQUE LINK COMP	1		
28	XT50GY-0602000000	后平叉	REAR FORK	1		
29	GB/T6187.1-2000	自锁螺母M10	NUT M10	4		
30	XT50GY-0801010000	后减震	RR. ABSORBER	1		
31	GB/T5782-2000	螺栓M12×65	BOLT M12×65	1		
32	GB/T5782-2000	螺栓M12×80	BOLT M12×80	1		
33	XT50GY-1800000013	中心摇架 I	ROCKER I	1		
34	GB/T5782-2000	螺栓M12×90	BOLT M12×90	1		
35	XT50GY-1800000013	中心摇架 II	ROCKER II	1		
36	GB/T5782-2000	螺栓M12×80	BOLT M12×80	1		
37	XT50GY-1109020000	链罩	CHAIN CASE	1		
38	GB/T5789-1986	螺栓M6×10	BOLT M6×10	4		
39	XT50GY-1600000008	链托	CHAIN CUSHION	1		
40	XT50GY-0503000000	链条	CHAIN	1		
41	GB/T5789-1986	螺栓M6×10	BOLT M6×10	4		
42	XT50GY-0905010000	刹车踏板组件	PEDAL ASSY. , BRAKE	1		
43	XT50GY-1703000003	回位弹簧	RETURN SPRING	1		

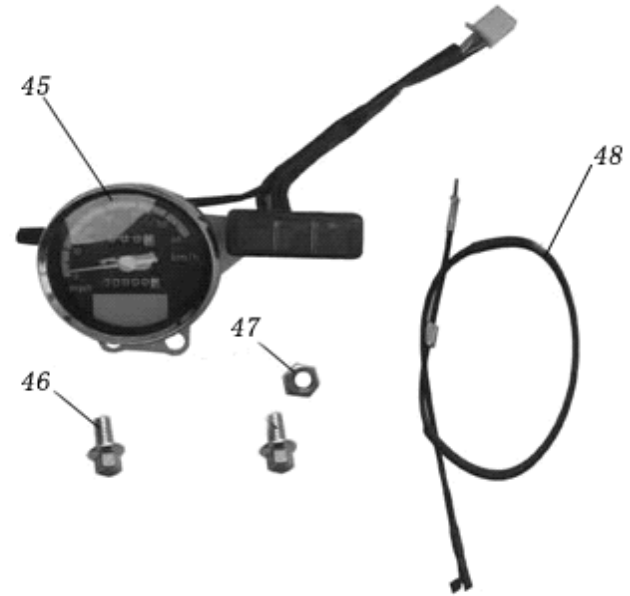
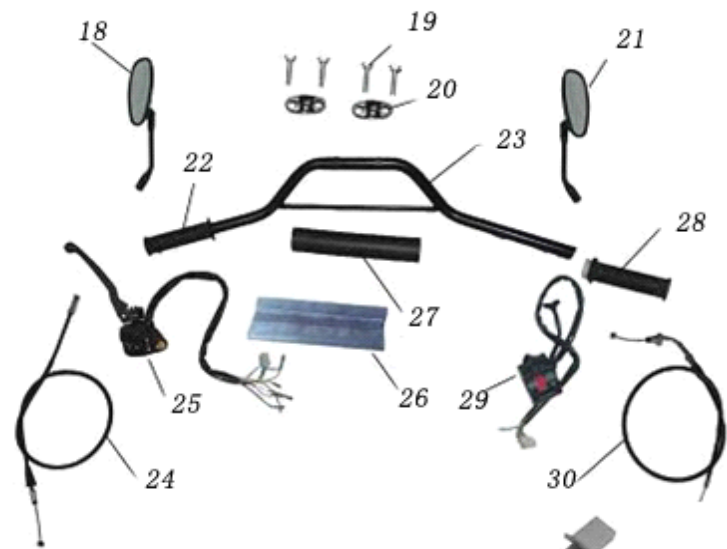
44	XT50GY-1209000000	后制动灯开关	SWITCH BRAKE LAMP	1		
45	XT50GY-1703000004	开关弹簧	SPRING BRAKE SWITCH	1		
46	GB5783—86	六角镙栓M6×25	HEXAGON BOLT M6×25	1		
47	XT50GY-0111050000	起动杆	STARTING ARM COMP	1		
48	XT50GY-1800000003	制动拉杆	ROD ASSY. BRAKE	1		
49	XT50GY-0111040000	变档杆	GEARSHIFT PEDAL	1		
50	GB5783—86	六角镙栓M6×20	HEXAGON BOLT M6×20	1		
51	GB/T6187.1-2000	螺母M10	NUT M10	1		
52	XT50GY-1703000002	单撑拉簧	SPRING OF SIDE STAND	2		
53	GB/T6170-2000	螺母M10	NUT M10	1		
54	XT50GY-0603020001	单撑固定镙栓	BOLT OF SIDE STAND	1		
55	XT50GY-0603020000	单撑	SIDE STAND	1		
56	XT50GY-0502000008	内胎	INNER TUBE	1		
	XT50GY-0502000007	轮胎4.10-18	TYRE	1		
57	XT50GY-0502000000	后轮	REAR WHEEL	1		
58	XT50GY-0502000002	左衬套	BUSHING. L	1		
59	XT50GY-0502000003	右衬套	BUSHING. R	1		
60	XT50GY-0502000001	后轮轴	BUSHING OF REAR WHEEL	1		
61	XT50GY-0502050000	调链器	ADJUSTER, CHAIN	2		
62	GB6187-86	六角法兰面自锁螺母M14	HEXAGON BOLT M14	1		
63	GB6187-86	六角法兰面自锁螺母M8	HEXAGON BOLT M8	4		
64	XT50GY-0502000004	链轮片420×58	SPROCKET WHEEL PIECE	1		

65	XT50GY-0502042000	制动蹄块	SHOE COMP, BRAKE	2		
66	XT50GY-0502041000	后制动盖	PANEL COMP. BRAKE	1		



NO.	Part NO.	Description	Description in English	数量Qty	价格Price	备注Remark
1	XT50GY-0113000000	化油器	CARBURETOR	1		
2	GB/T5783-2000	六角螺栓M6×30	HEXAGON BOLT M6×30	4		
3	XT50GY-0101020001	胶木垫	GASKET	1		
4	XT50GY-0101020002	密封垫	GASKET	1		
5	XT50GY-0101020000	进气管	INTAKE PIPE	1		
6	XT50GY-0100010000	火花塞	SPARK PLUG	1		
7	XT50GY-0100000000	发动机	ENGINE	1		
8	GB/T16674-1996	六角法兰面螺栓M6×28	HEXAGON BOLT M6×28	2		
9	XT50GY-0103000035	发动机边盖	LEFT CRANKCASE REAR COVER	1		
10	GB/T16674-1996	螺栓	BOLT M6×16	1		
11	XT50GY-0403010000	卡箍	CONNECTION, EXHAUST	1		
12	XT50GY-0403000002	通气管	VENTILATE CANNULATION	1		
13	XT50GY-0404000000	控制阀	AIR FEED CONTROC VALVE	1		
14	XT50GY-0403000000	单向阀	AIR FEED CONTROC VALVE	1		
15	XT50GY-0403000001	密封垫	AIRPROOF CUSHION	1		
16	XT50GY-0400010000	排气管	VENT-PIPE	1		
17	GB/T97.1-2002	垫片6	WASHER 6	2		
18	GB/T818-2000	螺钉	SCREW M6×10	2		
19	XT50GY-0400010001	装饰罩	COVER, MUFFLER	1		
20	GB/T923-1988	盖形螺母M6	CASING NUT M6	2		
21	XT50GY-0400000001	排气口密封垫	GASKET, EXHAUST OUTLET	1		

22	XT50GY-0400020000	消声器	MUFFLER ASSY,	1		
23	GB/T5789-1986	螺栓	BOLT M8×35	1		
24	GB/T5789-1986	螺栓	BOLT M8×16	2		
25	GB/T97.1-2002	垫片8	WASHER 8	2		
26	XT50GY-0202000000	空滤器卡扣	CLIP OF AIR FILTER	1		
27	XT50GY-0200000000	空气滤清器	AIR FILTER	1		
28	XT50GY-0200000001	通气管	VENTILATE CANNULATION	1		
29	GB/T5789-1986	螺栓M6×12	BULT M6×12	2		
30	XT50GY-0601030000	电瓶架	BATTERY TRESTLE	1		
31	XT50GY-1600000009	绑带	ENLACE BAND	1		
32	XT50GY-0704000000	蓄电池 (12V 6.5AH)	BATTERY (12V 6.5AH)	1		



NO.	Part NO.	Description	Description in English	数量Qty	价格Price	备注Remark
1	XT50GY-1216000000	右反射体	RIGHT REFLECTOR	1		
2	XT50GY-0802010000	前左减震器	FRONT LEFT ABSORBER ASSY	1		
3	XT50GY-1216000000	左反射体	LEFT REFLECTOR	1		
4	XT50GY-0802020000	前右减震器	FRONT RIGHT ABSORBER ASSY	1		
5	XT50GY-1800000011	里程线夹	BRACKET OF CABLE COMP	1		
6	XT50GY-0802040000	下联板	STEERING COLUMN	1		
7	XT50GY-0802030000	上联接板	UPPER BRACKET, FR. FORK	1		
8	XT50GY-1107000001	前挡泥板	FRONT FENDER	1		
9	GB/T947-1988	镙钉M6×35	BOLT M6×35	3		
10	XT50GY-1800000004	前挡泥板下支架	UNDER BRACKET OF FENDER	1		
11	XT50GY-1800000005	前挡泥板上支架	UPPER BRACKET OF FENDER	1		
12	GB308-79	滚珠4.763	UPPER BALL 4.763	40		
13	XT50GY-0802041004/5	下钢碗	UNDER COVER BEARING BOEWL	2		
14	XT50GY-0802041006/7	上钢碗	UPPER COVER BEARING BOEWL	2		
15	XT50GY-0802041003	方向器调整螺母	NUT, ADJUST	1		
16	XT50GY-0802041002	平垫	WASHER	1		
17	XT50GY-0802041001	压紧螺母	LOCK NUT	1		
18	XT50GY-0904010000	左后视镜	MIRROR LEFT	1		
19	GB/T5782-2000	六角镙栓M8×35	HEXAGON BOLT M8×35	4		
20	XT50GY-0802010001	方向把卡子	HOLDER, HANDLE BAR	2		
21	XT50GY-0904020000	右后视镜	MIRROR RIGHT	1		

22	XT50GY-0908010002	左握把	LEFT HANDLEBAR	1		
23	XT50GY-0908000001	方向把	HANDLE BAR	1		
24	XT50GY-0901000000	离合器线	CABLE ASSY. CLUTCH	1		
25	XT50GY-0907020000	左把手开关	SWITCH OF LEFT HAND	1		
26	XT50GY-0908000003	牛筋布	YARD GRASS FABRIC	1		
27	XT50GY-0908000002	泡沫管	PAN, CROSS BAR	1		
28	XT50GY-0908020000	油门转把	RIGHT GRIP	1		
29	XT50GY-0906020000	右把手开关	SWITCH OF RIGHT HAND	1		
30	XT50GY-0902000000	油门线	THROTTLE CABLE	1		
31	XT50GY-1800000020	下缓冲圈	CUSHION, UNDER	2		
32	XT50GY-1800000017	头罩右支架	BRACKET, COVER (R)	1		
33	XT50GY-1800000019	上缓冲圈	CUSHION, UPPER	2		
34	GB/T947-1988	盘头螺钉M6×16	SCREW M6×16	3		
35	XT50GY-1600000012	橡胶垫	CUSHION	3		
36	XT50GY-1102000000	大灯罩	COVER, HEADLIGHT	1		
37	XT50GY-1201000000	前大灯	HEADLIGHT	1		
38	GB/T818-2000	螺钉M5×12	SCREW M5×12	1		
39	GB/T6170-2000	螺母M6	NUT M6	1		
40	XT50GY-1600000012	橡胶垫	CUSHION	3		
41	GB/T947-1988	盘头螺钉M6×16	SCREW M6×16	3		
42	GB/T5789-1986	法兰螺栓M6×12	BULT M6×12	1		
43	XT50GY-1800000007	头罩下支架	BRACKET, COVER, UNDER	1		

44	XT50GY-1800000018	头罩左支架	BRACKET, COVER (L)	1		
45	XT50GY-1300000000	仪表	METERS	1		
46	GB/T5789-1986	螺栓M6×20	BULT M6×20	2		
47	GB/T6177.1-2000	螺母M6	NUT M6	1		
48	XT50GY-1606000000	里程表软轴线	CABLE COMP, INNER	1		