

330113

05 2055
FREMONT SCHWINN
CYCLERY



2525 University Avenue San Diego, CA 92104
Tel: (619) 574-1818 Fax: (619) 574-0227

VESPA SI MOPED SPARE PARTS CATALOG

VESPA SI (SIV1T)
SPARE PARTS CATALOG



THIS SPARE PARTS CATALOG REPRESENTS CURRENT INFORMATION RELATIVE TO ALL SPARE PARTS WHICH ARE SUPPLIED FOR THE **VESPA SI MOPED** (FRAME DESIGNATION — SIV1T) — U.S.A. VERSION ONLY.

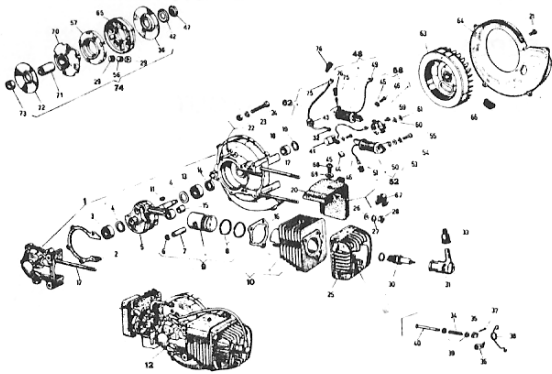
THE UPDATING OF THIS CATALOG WILL BE ACCOMPLISHED BY TOTAL PAGE REPLACEMENT.

TO PROPERLY ORDER THE CORRECT REPLACEMENT PART, FAMILIARIZE YOURSELF WITH THE LAYOUT AND CONTENTS OF THIS MANUAL. FOR EXPLANATION OF THE ACTUAL PAGE HEADINGS, REFER TO THE SECTION SHOWN BELOW.

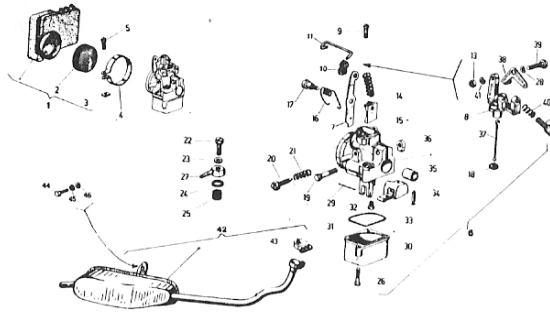
PAGE HEADING EXPLANATION

Fig. #	Part #	DESCRIPTION	SIV1T	Notes — Applications
①	②	③	④	⑤

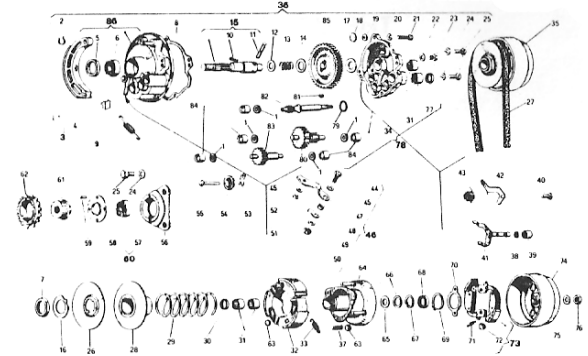
- ① The # in this column represents the actual Fig. # in the Table Diagram.
- ② The # in this column represents the correct Part # which is to be ordered for the application as designated in Column ④. (When placing Part Order — Request Part # as shown).
- ③ Description of Part.
- ④ Indicates the Model Application by the exact quantity of the Part **Relevant to the Table Diagram.**
- ⑤ Area for Miscellaneous Ordering Information.



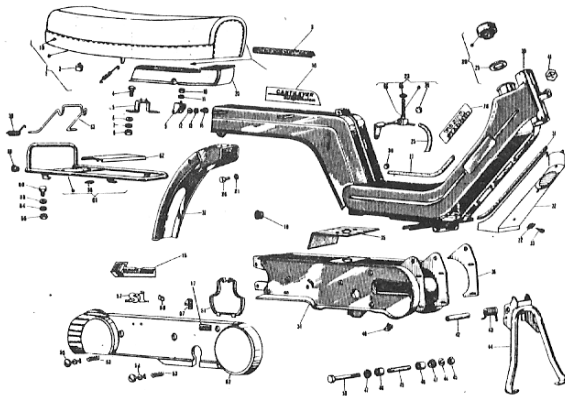
T. I — ENGINE — FLYWHEEL MAGNETO
Page 6



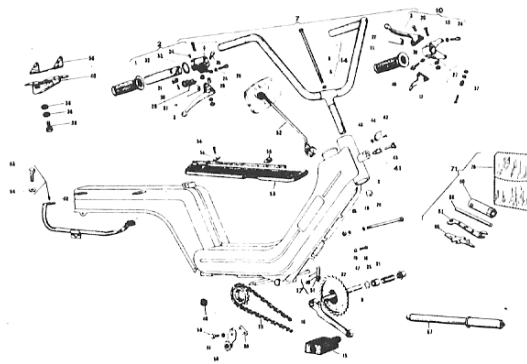
T. II — CARBURETOR — SILENCER
Page 12



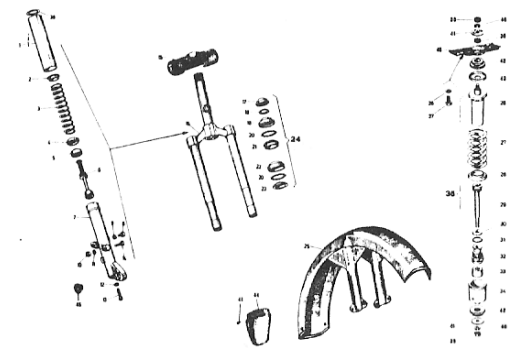
T. III — REAR HUB — AUTOMATIC SPEED GOVERNOR
Page 16



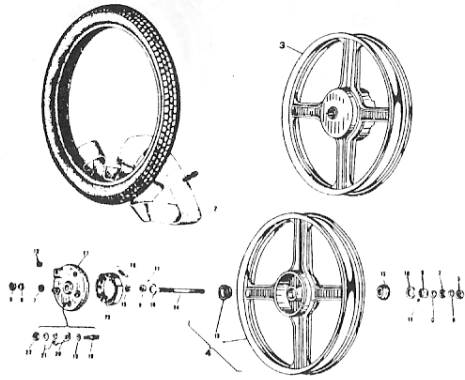
T. IV — CHASSIS — SADDLE — SIDE PROTECTION COVERS
Page 22



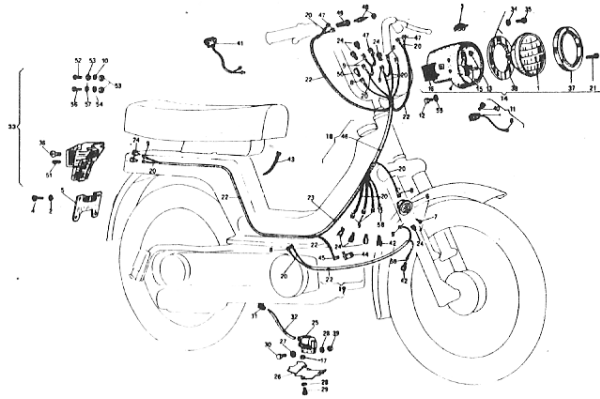
T. V — HANDLEBARS
Page 26



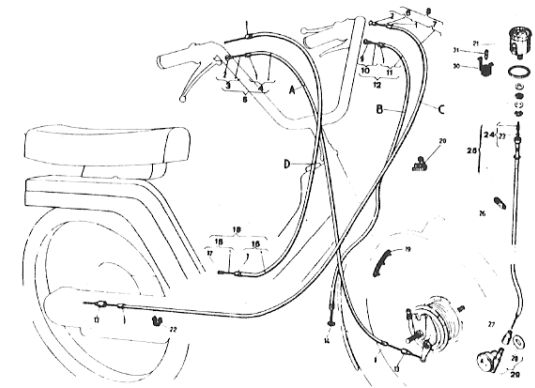
T. VI — FORK MUDGUARD
Page 34



T. VII — DIE-CAST WHEELS
Page 38

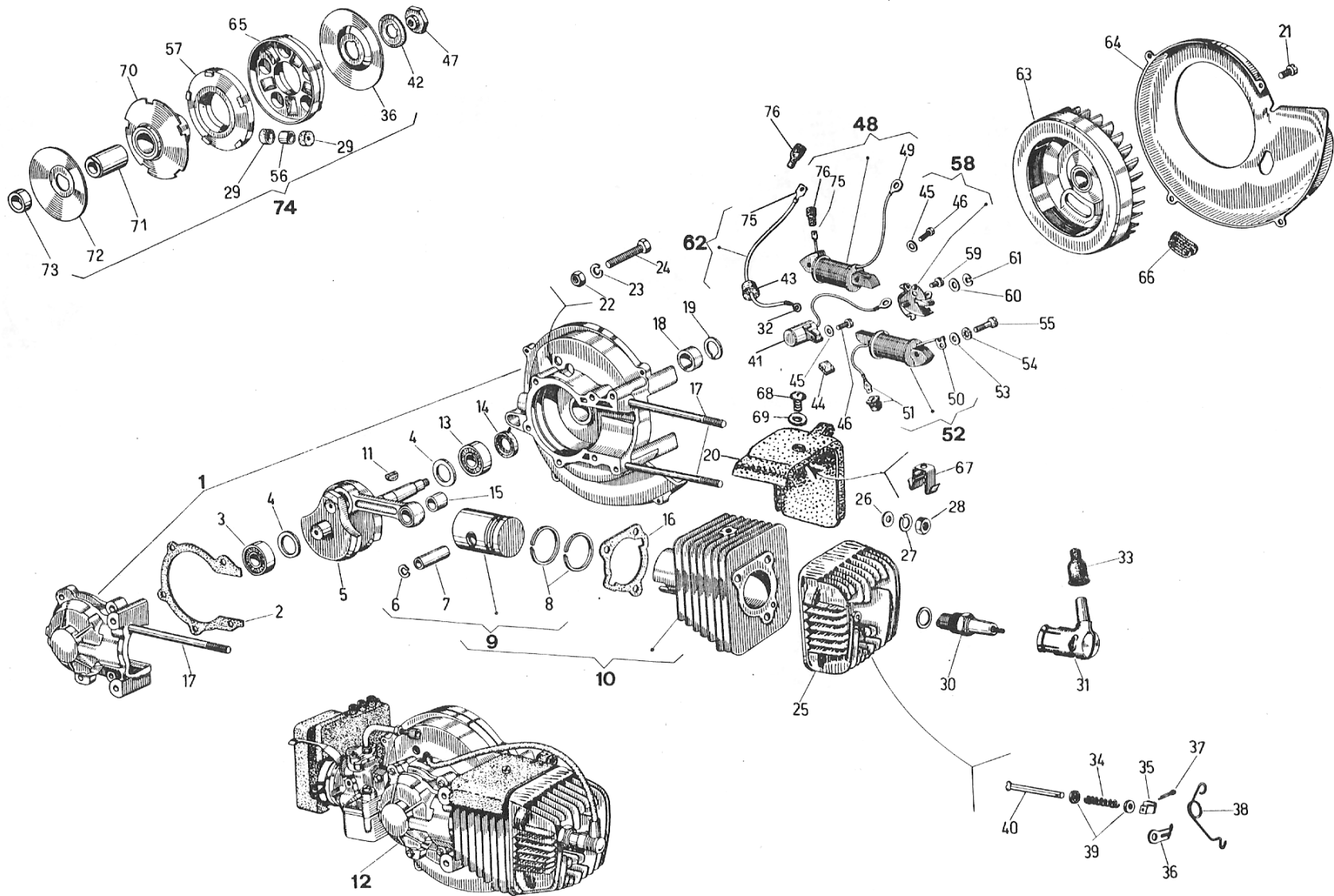


T. VIII — LAMPS AND ELECTRICAL CONNECTIONS
Page 40



T. IX — CABLES — SPEEDOMETER
Page 44

T. I — ENGINE — FLYWHEEL MAGNETO



T. I

ENGINE — FLYWHEEL MAGNETO

Fig. #	Part #	Description	MPH			Notes — Applications
			20	25	30	
1	168595	Crank Case Assembly	1	1	1	Includes Part 17
2	112967	Case Gasket	1	1	1	
3	102258	Bearing	1	1	1	
4	113681	Washer	2	2	2	
5	113708	Crankshaft Assembly	1	1	1	Includes Part 15
6	S.006612	Circlip	2	2	2	
7	132233	Wristpin	1	1	1	
8	182519	Upper Piston Ring	1	1	1	
8	182518	Lower Piston Ring	1	1	1	
	G.68473	1 O.S. Upper Ring	1	1	1	
	132515	1 O.S. Lower Ring	1	1	1	
	137690	2 O.S. Upper Ring	1	1	1	# 137691 Upper Ring 38.8 x 1.5
	137693	2 O.S. Lower Ring	1	1	1	# 137694 Lower Ring 38.8 x 1.5
9	191034	Piston Assembly	1	1	1	Includes Parts 6, 7, 8
	182592	1 O.S. Piston Assembly	1	1	1	Includes Parts 6, 7, 8
	182593	2 O.S. Piston Assembly	1	1	1	Includes Parts 6, 7, 8 #137682 Piston Assy 38.8
10	190726	Piston/Cylinder Assembly	1	1	1	Includes Part 9
11	000267	Key	1	1	1	
12	191871	Engine Assembly		1	1	Includes Part 74 and Parts 42, 43, 44, 45, 46 of T.11
12	191228	Engine Assembly	1			Includes Part 74 and Parts 42, 43, 44, 45, 46 of T. 11
13	S.008753	Bearing - F/W Side	1	1	1	
14	112978	Main Oil Seal	1	1	1	
15	120070	Small End Bushing	1	1	1	
16	152793	Cylinder Gasket	1	1	1	
17	S.000595	Stud	3	3	3	
18	103137	Cam	1	1	1	
19	102943	Spring Washer	1	1	1	
20	185231	Deflector	1	1	1	
21	S.015585	Screw	5	5	5	

T. I

ENGINE — FLYWHEEL MAGNETO

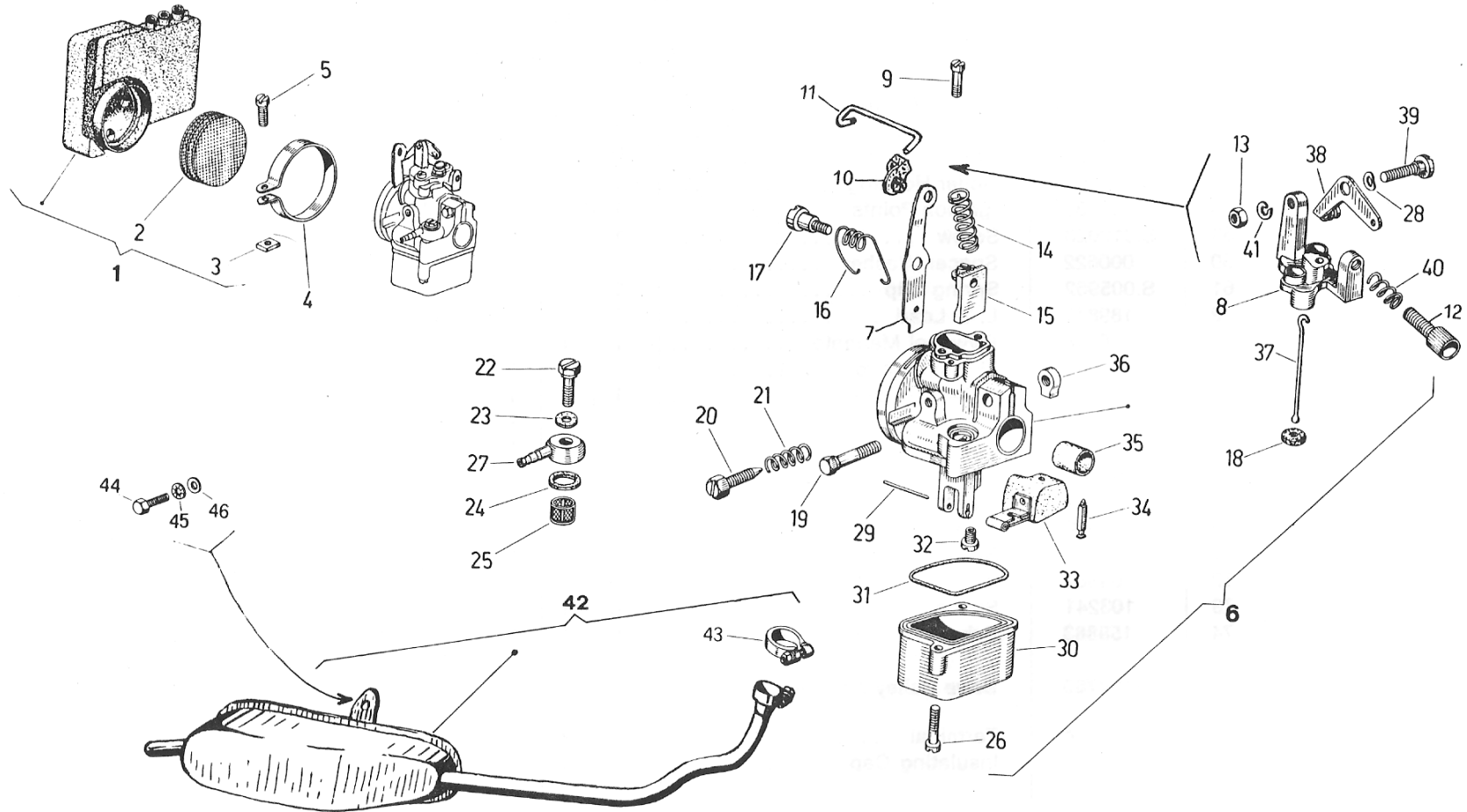
Fig. #	Part #	Description	MPH			Notes — Applications
			20	25	30	
22	S.020106	Nut	5	5	5	
23	S.006966	Spring Washer	5	5	5	
24	S.030055	Bolt	5	5	5	
25	164310	Cylinder Head	1	1	1	
26	S.003057	Plain Washer	1	1	1	
27	S.006977	Spring Washer	4	4	4	
28	S.020107	Nut	3	3	3	
29	104559	Roller Shell	10	10	10	
30	A.15029	Sparkplug	1	1	1	
31	029465	Sparkplug Cap	1	1	1	
32	S.015120	Terminal	1	1	1	
33	071671	Insulation Cap	1	1	1	
34	113244	Spring	1	1	1	
35	113246	Clip	1	1	1	
36	114056	Disc	1	1	1	
36	124714	Disc	1	1	1	Fitted on all vehicles with frame numbers after SIV1T 2034225
37	S.012768	Cotter Pin	1	1	1	
38	186754	Spring	1	1	1	
39	113247	Spring Cup	2	2	2	
40	113245	Decompression Valve	1	1	1	
41	102939	Condenser	1	1	1	
42	131332	Lock Washer	1	1	1	
43	142561	Grommet	1	1	1	
44	102941	Felt	1	1	1	
45	S.012554	Washer	2	2	2	
46	S.000838	Screw	2	2	2	
47	131331	Nut	1	1	1	
48	189813	Ignition Feed Coil	1	1	1	Includes Parts 49, 75, 76
49	014501	Terminal	1	1	1	
50	S.015005	Terminal	2	2	2	
51	122390	Terminal	1	1	1	
52	189812	L. T. Coil	1	1	1	Includes Parts 50, 51

T. I

ENGINE — FLYWHEEL MAGNETO

Fig. #	Part #	Description	MPH			Notes — Applications
			20	25	30	
53	S.003054	Washer	2	2	2	
54	S.016404	Spring Washer	4	4	4	
55	S.015612	Screw	4	4	4	
56	104560	Roller	5	5	5	
57	114057	Roller Housing	1	1	1	
58	103133	Ignition Points	1	1	1	Includes Parts 45, 46, 60, 61
59	S.010028	Screw	1	1	1	
60	000622	Spacer Washer	3	3	3	
61	S.005962	Spring Clip	1	1	1	
62	189815	L. T. Lead	1	1	1	Includes Parts 32, 75, 76
63	176418	Flywheel Magneto	1	1	1	
64	152040	Flywheel Shroud	1	1	1	
65	114058	Roller Housing	1	1	1	
66	102931	Inspection Plug	1	1	1	
67	139122	Clip	1	1	1	
68	S.008455	Screw	1	1	1	
69	S.013963	Washer	1	1	1	
70	130530	Outer Pulley Half	1	1	1	
71	104864	Bush	1	1	1	
72	104862	Inner Pulley Half	1	1	1	
73	103241	Spacer	1	1	1	
74	158883	Drive Pulley Assembly	1	1	1	Includes Parts 29, 56, 57, 65, 70, 71, 72
74	5/124709	Drive Pulley Assembly	1	1	1	Fitted on all vehicles with frame numbers <i>after</i> SIV1T 2034225
75	071054	Terminal	2	2	2	
76	146371	Insulating Cap	2	2	2	

T. II — CARBURETOR — SILENCER



T. II

CARBURETOR — SILENCER

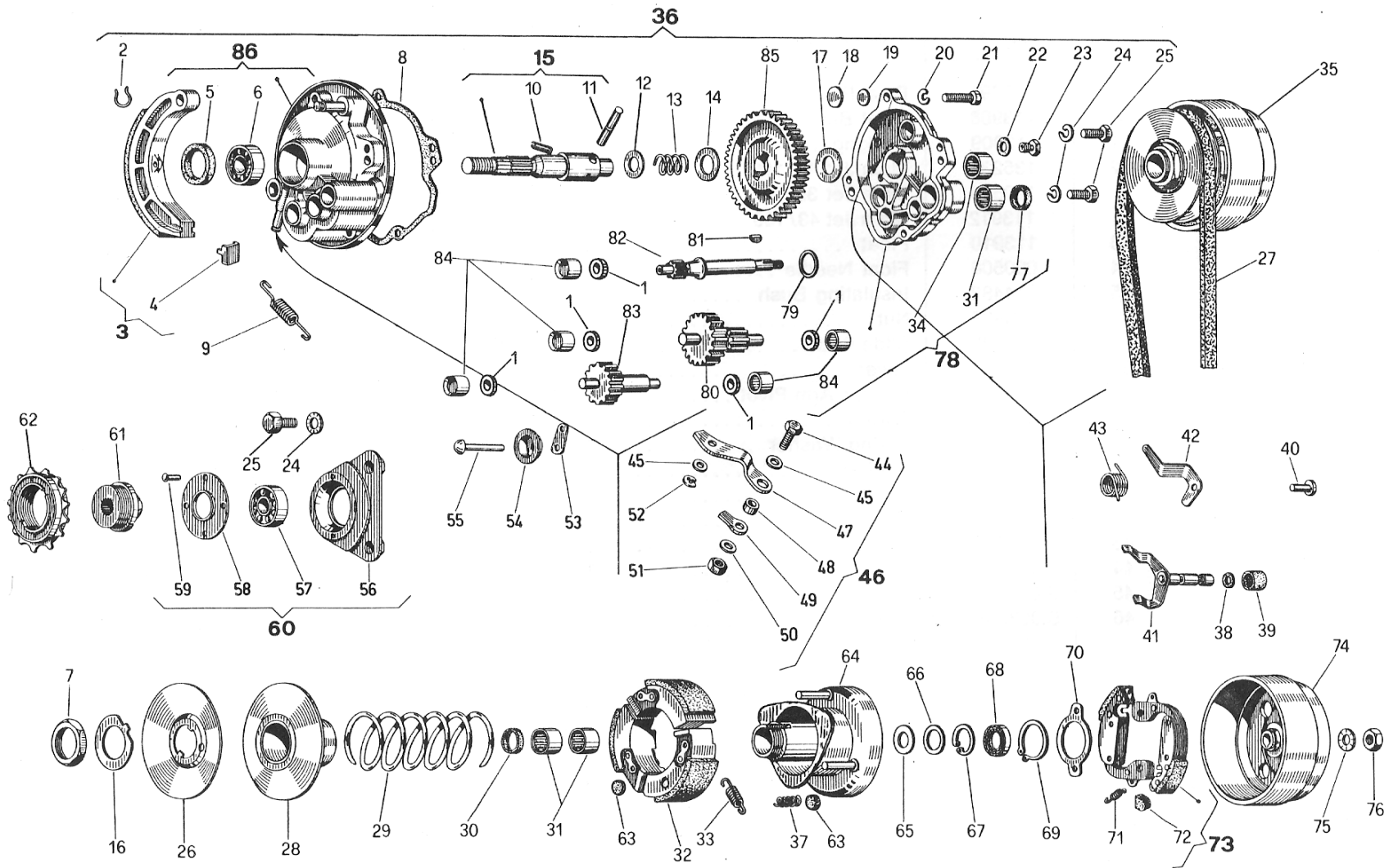
Fig. #	Part #	Description	MPH			Notes — Applications
			20	25	30	
1	186886	Air Cleaner Assembly	1	1	1	Includes Parts 2, 3, 4, 5
2	131009	Air Filter	1	1	1	
3	S.001565	Nut	1	1	1	
4	113055	Clamp	1	1	1	
5	S.010047	Screw	1	1	1	
6	191863	Carburetor Assembly		1		} Includes Parts 7, 8, 9, 10, 11, 12, 13, 14, 15, 16, 17, 18, 19, 20, 21, 22, 23, 24, 25, 26, 27, 28, 29, 30, 31, 32, 33, 34, 35, 36, 37, 38, 39, 40, 41
	191230	Carburetor Assembly	1			
	168549	Carburetor Assembly			1	
7	164147	Choke Lever	1	1	1	
8	124596	Slide Cover	1	1	1	
9	124752	Screw	2	2	2	
10	186413	Coupling Pipe	2	2	2	
11	164149	Choke Control Rod	1	1	1	
12	098128	Adjuster Screw	1	1	1	
13	S.012012	Nut	1	1	1	
14	113901	Throttle Spring	1	1	1	
15	135734	Throttle Slide	1	1	1	
16	113923	Choke Lever Spring	1	1	1	
17	113922	Choke Lever Pivot	1	1	1	
18	124753	Rod Packing	1	1	1	
19	113926	Bolt	1	1	1	
20	113919	Idle Adjustment Screw	1	1	1	
21	098135	Spring	1	1	1	
22	113917	Screw	1	1	1	
23	098136	Packing	1	1	1	
24	113915	Packing	1	1	1	
25	113916	Filter	1	1	1	
26	098134	Screw	2	2	2	
27	124602	Banjo Union	1	1	1	
28	S.016320	Spring Washer	1	1	1	

T. II

CARBURETOR — SILENCER

Fig. #	Part #	Description	MPH			Notes — Applications
			20	25	30	
29	085291	Float Pivot Pin	1	1	1	
30	113908	Float Bowl	1	1	1	
31	113909	Packing	1	1	1	
32	135233	Main Jet 41/100		1		
	120519	Main Jet 39/100	1			
	113912	Main Jet 43/100			1	
33	113910	Float	1	1	1	
34	090506	Float Needle	1	1	1	
35	114482	Insulating Bush	1	1	1	
36	113927	Nut	1	1	1	
37	124598	Slide Rod	1	1	1	
38	124597	Lever	1	1	1	
39	092403	Rocker Arm Pivot	1	1	1	
40	098130	Spring	1	1	1	
41	S.016404	Spring Washer	1	1	1	
42	186506	Muffler			1	Includes Part 43
	185379	Muffler		1		
	186474	Muffler	1			
43	130969	Clamp	1	1	1	
44	S.031115	Bolt	1	1	1	
45	S.012540	Lock Washer	1	1	1	
46	S.003058	Washer	1	1	1	

T. III — REAR HUB — AUTOMATIC SPEED GOVERNOR



T. III

REAR HUB—AUTOMATIC SPEED GOVERNOR

Fig. #	Part #	Description	MPH			Notes — Applications
			20	25	30	
1	175751	Bearing Cap	5	5	5	Includes Part 4
2	103112	Circlip	1	1	1	
3	130240	Brake Shoe	1	1	1	
4	103059	Plate	1	1	1	
5	131511	Oil Seal	1	1	1	
6	131509	D C Roller Bearing	1	1	1	
7	103826	Nut	1	1	1	
8	103105	Gasket	1	1	1	
9	103062	Spring	1	1	1	
10	S.008808	Pin	1	1	1	
11	131503	Pin	1	1	1	
12	131513	Washer	1	1	1	
13	131502	Spring	1	1	1	
14	131512	Washer	1	1	1	
15	132903	Axle Shaft	1	1	1	
16	103825	Lock Washer	1	1	1	
17	131514	Washer	1	1	1	
18	S.006057	Plug	1	1	1	
19	004282	Plug	1	1	1	
20	S.006976	Spring Washer	1	1	1	
21	S.031091	Bolt	1	1	1	
22	000397	Packing	1	1	1	
23	S.030280	Screw	1	1	1	
24	S.016410	Lock Washer	2	2	2	
25	S.031150	Bolt	2	2	2	
26	103823	Pulley Half	1	1	1	
27	122192	Belt	1	1	1	
28	130529	Pulley Half	1	1	1	
29	104662	Spring	1	1	1	
30	S.008766	Oil Seal	1	1	1	
31	103614	Bearing	3	3	3	

T. III

REAR HUB — AUTOMATIC SPEED GOVERNOR

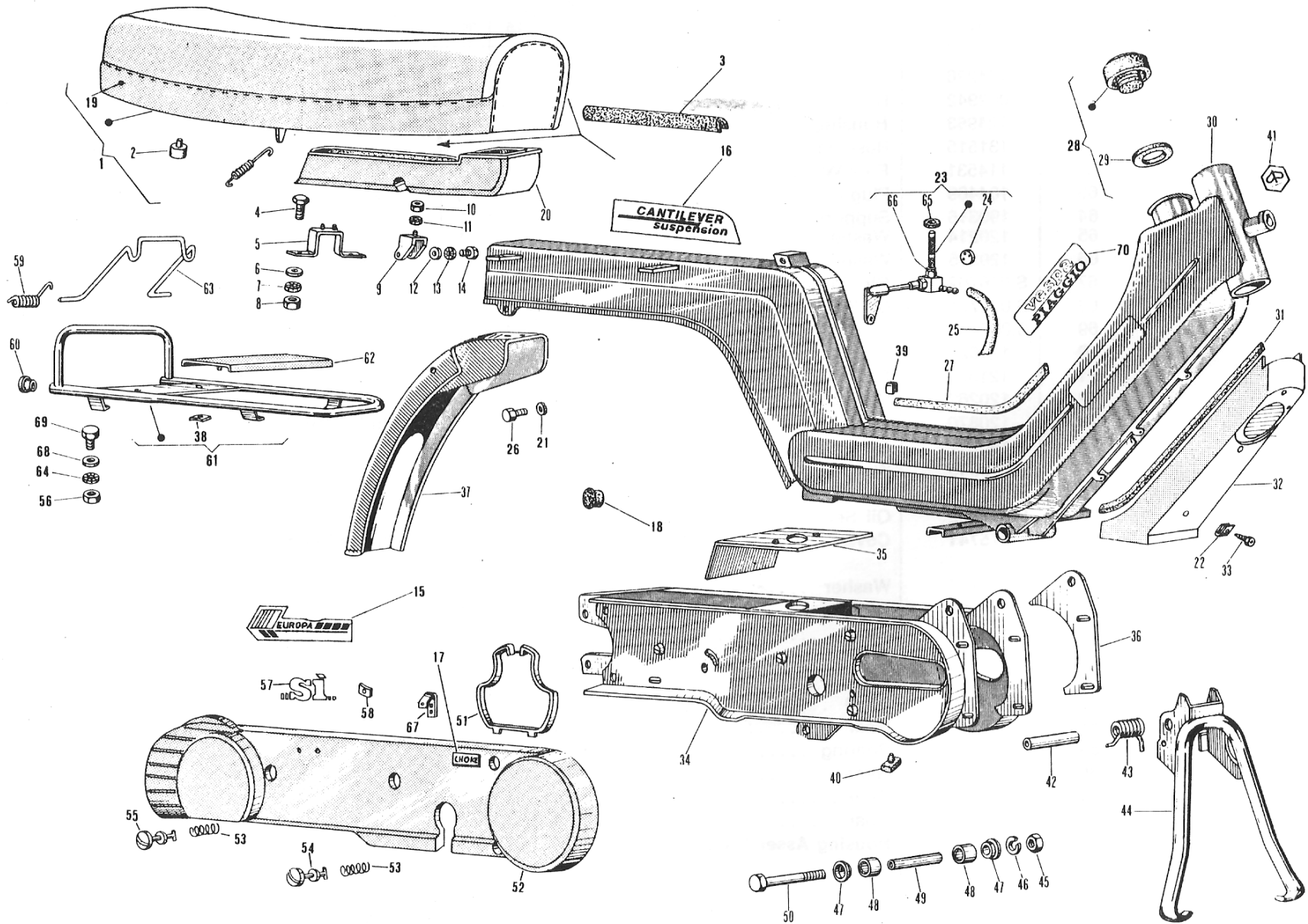
Fig. #	Part #	Description	MPH			Notes — Applications
			20	25	30	
32	124781	Weight	3	3	3	
33	124783	Spring	3	3	3	
34	103689	Bearing	1	1	1	
35	124775	Clutch Assembly	1	1	1	Includes Parts 7, 16, 26, 28, 29, 30, 31, 32, 33, 37, 63, 64, 65, 66, 67, 68, 69, 70, 71, 73, 74
36	177356	Rear Hub Assembly		1		
	176618	Rear Hub Assembly			1	} Includes Parts 1, 2, 3, 8, 9, 12, 13, 14, 15, 17, 20, 21, 38, 39, 41, 45, 47, 52, 78, 79, 80, 82, 83, 85, 86
	176617	Rear Hub Assembly	1			
37	104468	Spring	3	3	3	
38	S.006705	Packing	1	1	1	
39	103018	Cap	1	1	1	
40	130579	Pin	1	1	1	
41	131523	Fork	1	1	1	
42	131031	Lever	1	1	1	
43	103054	Spring	1	1	1	
44	S.015525	Bolt	1	1	1	
45	S.003057	Washer	1	1	1	
46	154533	Clamp Assembly	1	1	1	Includes Parts 44, 45, 48, 49, 50, 51
47	141177	Lever	1	1	1	
48	102414	Spacer	1	1	1	
49	102413	Plate	1	1	1	
50	S.013877	Washer	1	1	1	
51	S.020207	Nut	1	1	1	
52	S.005965	Clip	1	1	1	
53	103060	Plate	1	1	1	
54	103061	Cup	1	1	1	
55	S.010882	Rivet	1	1	1	
56	124964	Housing	1	1	1	
57	113817	Bearing	1	1	1	

T. III

REAR HUB — AUTOMATIC SPEED GOVERNOR

Fig. #	Part #	Description	MPH			Notes — Applications
			20	25	30	
58	124226	Cover	1	1	1	
59	002942	Rivet	2	2	2	
60	124963	Housing Assembly	1	1	1	Includes Parts 56, 57, 58, 59
61	131515	Bushing	1	1	1	
62	114531	Free Wheel	1	1	1	
63	104469	Plug	3	3	3	
64	190315	Support	1	1	1	
65	120214	Washer	1	1	1	
66	120215	Washer	1	1	1	
67	S.016702	Circlip	1	1	1	
68	S.008771	Oil Seal	1	1	1	
69	S.006426	Circlip	1	1	1	
70	121022	Ring	1	1	1	
71	121537	Spring	2	2	2	
72	120262	Buffer	2	2	2	
73	120870	Weight Pair	1	1	1	Includes Part 72
74	190312	Clutch Drum	1	1	1	
75	S.012540	Washer	1	1	1	
76	S.020108	Nut	1	1	1	
77	S.017002	Oil Seal	1	1	1	
78	175741	Cover	1	1	1	Includes Parts 18, 19, 31, 34, 40, 42, 43, 77, 84
79	175747	Washer	1	1	1	
80	176609	Gear			1	
	176610	Gear		1		
	176612	Gear	1			
81	000267	Key	1	1	1	
82	176409	Shaft	1	1	1	
83	175749	Gear	1	1	1	
84	103613	Bearing	5	5	5	
85	136951	Gear			1	
	136952	Gear		1		
	165749	Gear	1			
86	175739	Housing Assembly	1	1	1	Includes Parts 5, 6, 53, 54, 55, 84

T. IV — CHASSIS — SADDLE — SIDE PROTECTION COVERS



T. IV

CHASSIS — SADDLE — SIDE PROTECTION COVERS

Fig. #	Part #	Description	MPH			Notes — Applications
			20	25	30	
1	186304	Saddle Assembly	1	1	1	Includes Parts 2, 3, 19, 20
2	186864	Buffer	2	2	2	
3	058853	Packing	2	2	2	
4	S.031091	Bolt	2	2	2	
5	186321	Bracket	1	1	1	
6	S.013777	Washer	2	2	2	
7	S.012533	Spring Washer	2	2	2	
8	S.020106	Nut	2	2	2	
9	186319	Bracket	1	1	1	
10	S.020208	Nut	3	3	3	
11	S.012540	Lock Washer	3	3	3	
12	S.003058	Washer	4	4	4	
13	S.016408	Spring Washer	2	2	2	
14	S.031115	Bolt	4	4	4	
15	184954	Emblem	1	1	1	
16	183525	Emblem	1	1	1	
	183524	Emblem	1	1	1	
17	147520	Choke Sticker	1	1	1	
18	050274	Plug	1	1	1	
19	187961	Seat Cover	1	1	1	
20	186318	Box	1	1	1	
21	S.003056	Washer	4	4	4	
22	S.008080	Clip	3	3	3	
23	191055	Fuel Tap Assembly	1	1	1	Includes Parts 24, 65, 66
24	118175	Gasket	1	1	1	
25	137679	Hose	1	1	1	
26	S.031086	Bolt	4	4	4	
27	186075	Beading	1	1	1	
28	189964	Fuel Cap	1	1	1	Includes Part 29
29	189911	Gasket	1	1	1	
30	212039	Frame	1	1	1	

T. IV

CHASSIS — SADDLE — SIDE PROTECTION COVERS

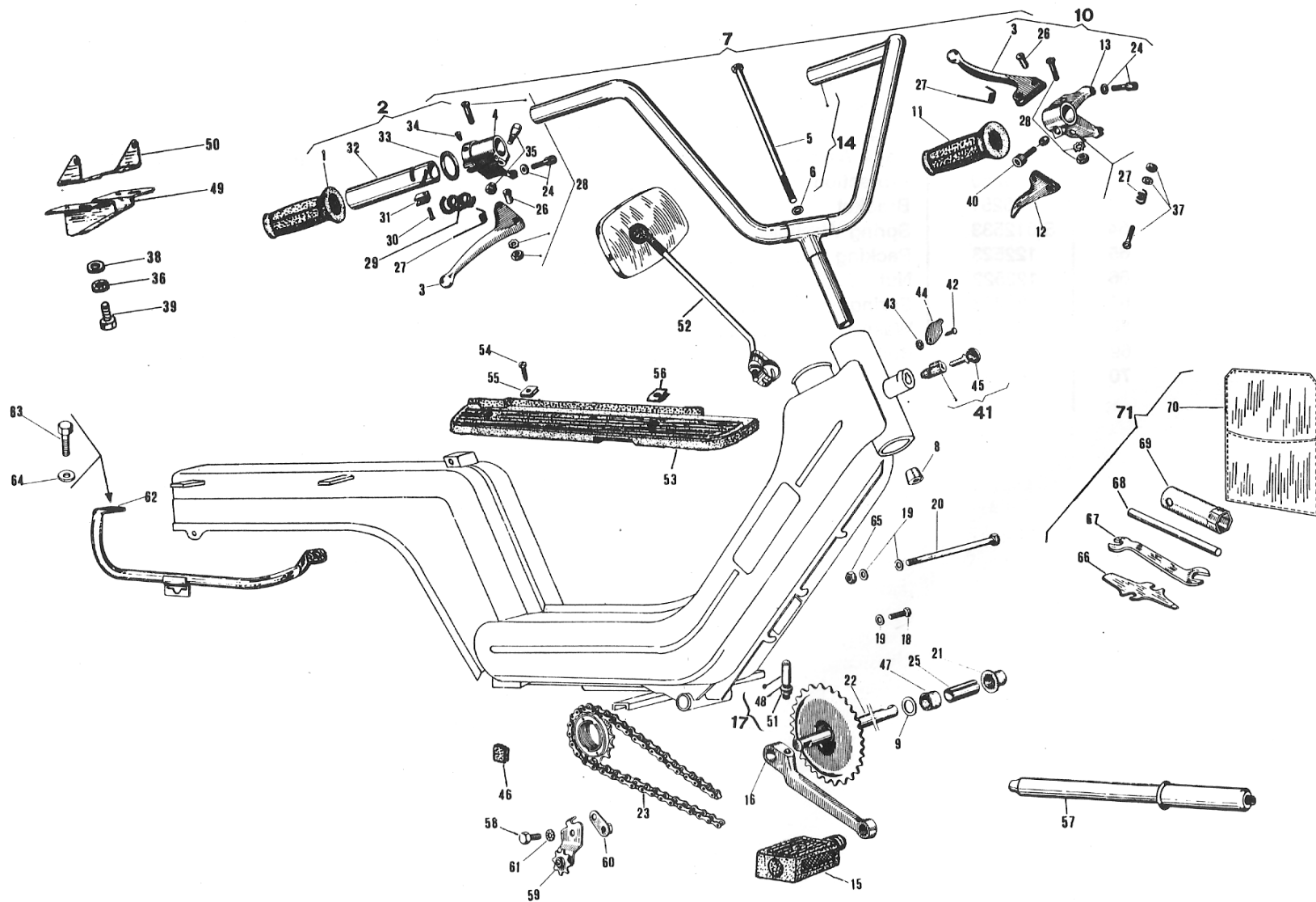
Fig. #	Part #	Description	MPH			Notes — Applications
			20	25	30	
31	185793	Packing	2	2	2	
32	163717	Protection	1	1	1	
33	S.015784	Screw	3	3	3	
34	185443	Swing Arm	1	1	1	
35	185776	Protection Plate	1	1	1	
36	164358	Engine Protection	2	2	2	
37	187585	Fender Rear	1	1	1	
38	180859	Buffer	2	2	2	
39	184043	Clip	3	3	3	
40	164245	Buffer	2	2	2	
41	187040	Emblem	1	1	1	
42	164167	Pivot	1	1	1	
43	164166	Spring L. H.	1	1	1	
	164165	Spring R. H.	1	1	1	
44	185869	Stand	1	1	1	
45	S.015252	Nut	1	1	1	
46	S.016410	Spring Washer	1	1	1	
47	122672	Cover	2	2	2	
48	122671	Bearing	2	2	2	
49	122670	Spacer	1	1	1	
50	S.030113	Bolt	1	1	1	
51	186222	Cover	1	1	1	
52	183907	Cover L. H.	1	1	1	
	183905	Cover R. H.	1	1	1	
53	122957	Spring	7	7	7	
54	132871	Fastener	2	2	2	
55	185818	Fastener	6	6	6	
56	S.020106	Nut	2	2	2	
57	186924	Emblem	2	2	2	
58	S.008108	Plate	4	4	4	

T. IV

CHASSIS — SADDLE — SIDE PROTECTION COVERS

Fig. #	Part #	Description	MPH			Notes — Applications
			20	25	30	
59	186680	Spring R. H.	1	1	1	Includes Parts 38, 59, 60, 62, 63
	186681	Spring L. H.	1	1	1	
60	186253	Plug	2	2	2	
61	186254	Rack Assembly	1	1	1	
62	186250	Protection	1	1	1	
63	186251	Bracket	1	1	1	
64	S.012533	Spring Washer	2	2	2	
65	122523	Packing	1	1	1	
66	122522	Nut	1	1	1	
67	186223	Spring	1	1	1	
68	S.013777	Washer	2	2	2	
69	S.031091	Bolt	2	2	2	
70	182347	Emblem	2	2	2	

T.V — HANDLEBARS



T. V

HANDLEBARS

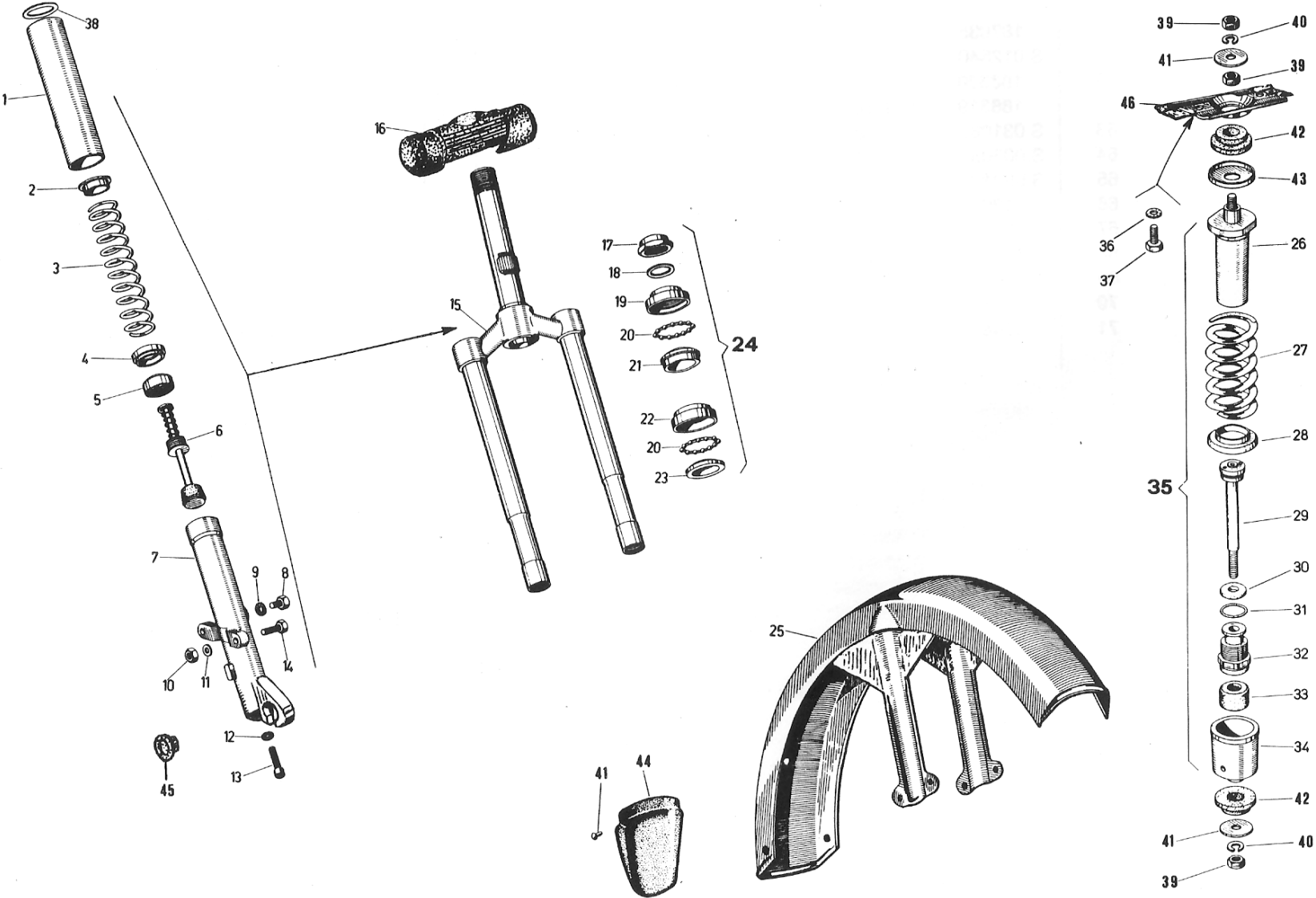
Fig. #	Part #	Description	MPH			Notes — Applications
			20	25	30	
30	123391	Screw	1	1	1	Includes Part 45
31	123392	Block	1	1	1	
32	174993	Sleeve	1	1	1	
33	123390	Washer	1	1	1	
34	123389	Screw	1	1	1	
35	123394	Screw	1	1	1	
36	S.012533	Washer	2	2	2	
37	121781	Screw	1	1	1	
38	S.003056	Washer	2	2	2	
39	S.031086	Screw	2	2	2	
40	123395	Screw	1	1	1	
41	155226	Lock Assembly	1	1	1	
42	070605	Pivot	1	1	1	
43	070606	Spring Washer	1	1	1	
44	070604	Cover	1	1	1	
45	A.25001	Key Blank	1	1	1	
46	187319	Buffer	1	1	1	
47	163655	Spacer	1	1	1	
48	S.003057	Washer	1	1	1	
49	189819	Support	1	1	1	
50	186411	Support	1	1	1	
51	S.020006	Nut	2	2	2	
52	180673	Mirror	1	1	1	
53	164000	Footrest R. H.	1	1	1	
	163708	Footrest L. H.	1	1	1	
54	S.008455	Screw	4	4	4	
55	S.008080	Plate	2	2	2	
56	185802	Plate	2	2	2	
57	144074	Pump	1	1	1	
58	S.031115	Bolt	1	1	1	
59	186948	Sprocket	1	1	1	

T. V

HANDLEBARS

Fig. #	Part #	Description	MPH			Notes — Applications
			20	25	30	
60	187035	Plate	1	1	1	Includes Parts 66, 67, 68, 69, 70
61	S.012540	Spring Washer	1	1	1	
62	188320	Support R. H.	1	1	1	
	188319	Support L. H.	1	1	1	
63	S.031086	Screw	2	2	2	
64	S.003056	Washer	2	2	2	
65	S.020106	Nut	1	1	1	
66	113936	Wrench	1	1	1	
67	152785	Wrench	1	1	1	
68	113935	Bar	1	1	1	
69	130793	Wrench	1	1	1	
70	184875	Tool Canvas	1	1	1	
71	184876	Tool Set	1	1	1	

T.VI — FORK — MUDGUARD



T. VI

FORK — MUDGUARD

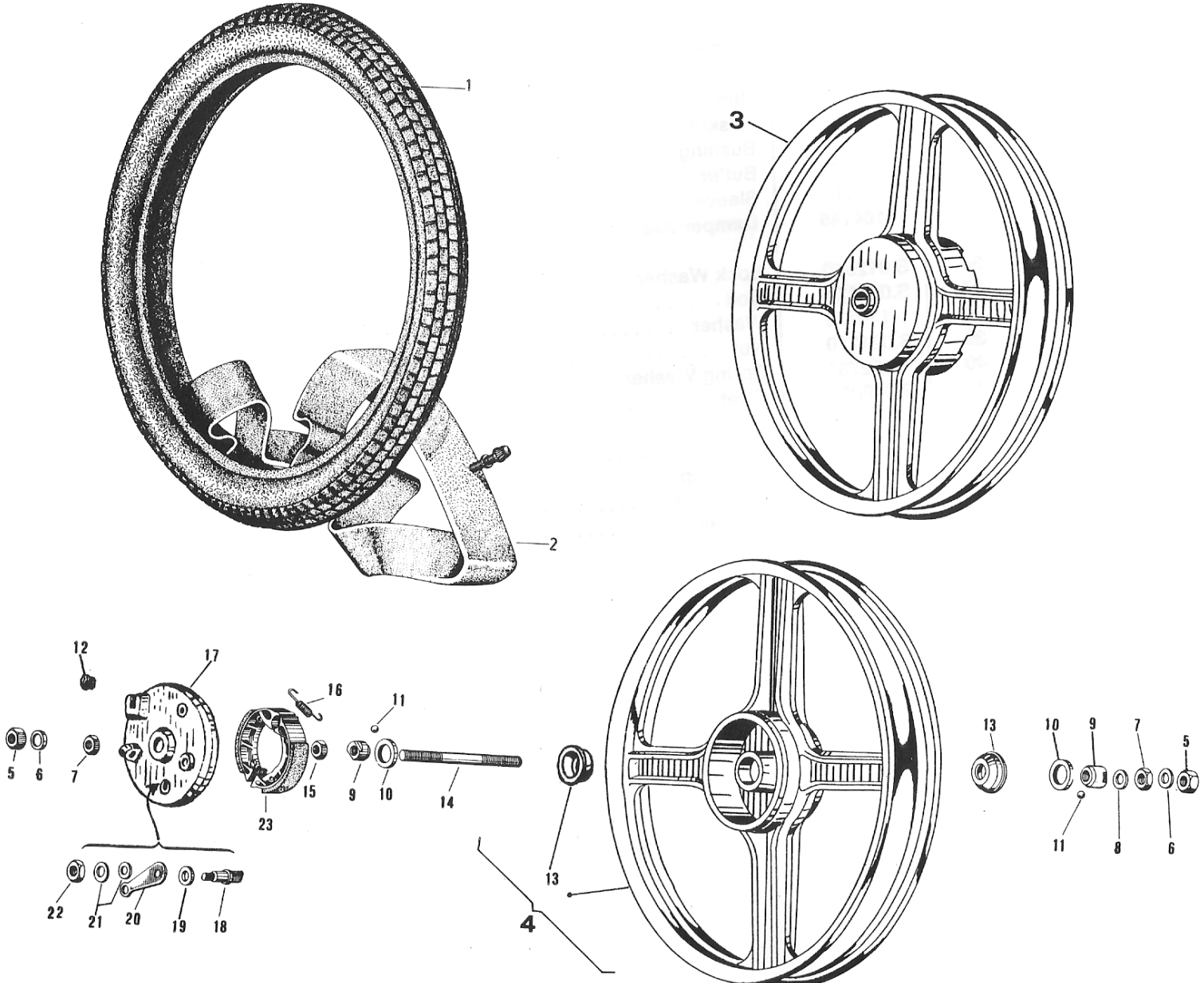
Fig. #	Part #	Description	MPH			Notes — Applications
			20	25	30	
1	122622	Sleeve	2	2	2	
2	122623	Cup	2	2	2	
3	122624	Spring	2	2	2	
4	122625	Cup	2	2	2	
5	123196	Oil Seal	2	2	2	
6	122626	Rod	2	2	2	
7	163933	Leg R. H.	1	1	1	
	163934	Leg L. H.	1	1	1	
8	138345	Plug	2	2	2	
9	000397	Packing	2	2	2	
10	S.020206	Nut	4	4	4	
11	S.003056	Washer	4	4	4	
12	124896	Gasket	2	2	2	
13	122637	Allen Bolt	2	2	2	
14	S.031091	Bolt	4	4	4	
15	163928	Fork Assembly	1	1	1	
16	163932	Fork Cover	1	1	1	
17	184431	Nut	1	1	1	
18	189298	Washer	1	1	1	
19	123472	Upper Track	1	1	1	
20	122644	Cage w/Balls	2	2	2	
21	123473	Upper Cone	1	1	1	
22	122645	Lower Track	1	1	1	
23	122643	Lower Cone	1	1	1	
24	190823	Bearing Set	1	1	1	Includes Parts 17, 18, 19, 20, 21, 22, 23
25	189476	Fender	1	1	1	
26	164144	Damper	1	1	1	
27	122758	Spring	1	1	1	
28	124222	Cup	1	1	1	
29	132057	Rod	1	1	1	

T. VI

FORK—MUDGUARD

Fig. #	Part #	Description	MPH			Notes — Applications
			20	25	30	
30	122776	Buffer	1	1	1	Includes Parts 26, 27, 28, 29, 30, 31, 32, 33, 34
31	S.006732	Gasket	1	1	1	
32	124768	Bushing	1	1	1	
33	176369	Buffer	1	1	1	
34	122769	Sleeve	1	1	1	
35	164145	Damper Assembly	1	1	1	
36	S.012540	Lock Washer	3	3	3	
37	S.031116	Bolt	2	2	2	
38	136178	Washer	2	2	2	
39	S.021210	Nut	3	3	3	
40	122781	Spring Washer	2	2	2	
41	S.018020	Rivet	2	2	2	
42	122780	Buffer	2	2	2	
43	124583	Cup	1	1	1	
44	189478	Mud Flap	1	1	1	
45	163935	Protection	2	2	2	
46	163460	Bracket	1	1	1	

T. VII — DIE-CAST WHEELS

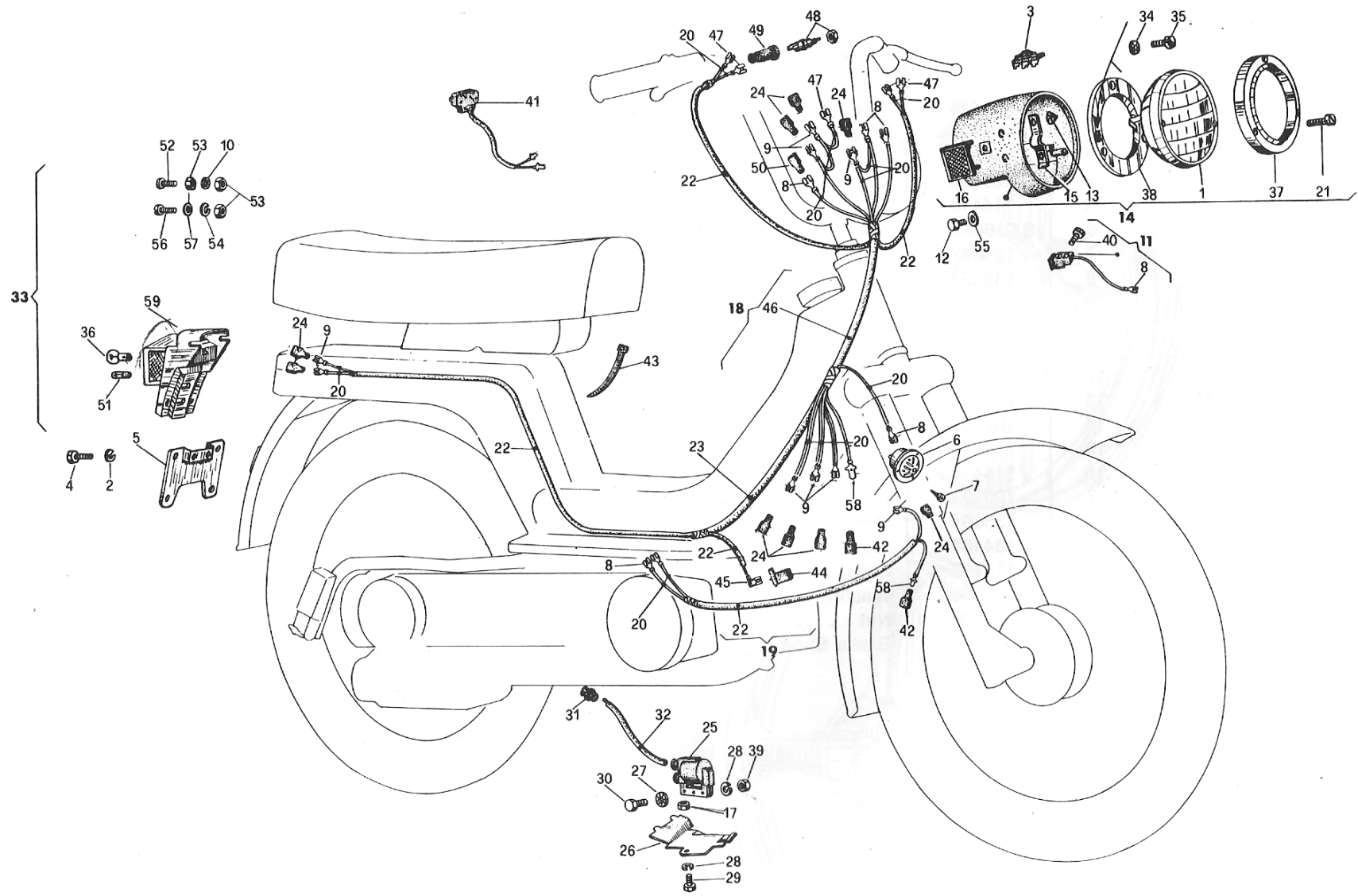


T. VII

DIE-CAST WHEELS

Fig. #	Part #	Description	MPH			Notes — Applications
			20	25	30	
1	185345	Tire 2.50 x 16	2	2	2	
2	A.71340	Inner Tube	2	2	2	
3	191439	Cast Rear Wheel	1	1	1	Includes Part 12
4	185730	Cast Front Wheel	1	1	1	Includes Part 13
5	114415	Nut	2	2	2	
6	S.016669	Washer	2	2	2	
7	135697	Nut	2	2	2	
8	135696	Spacer	1	1	1	
9	114411	Cone	2	2	2	
10	124829	Oil Seal	2	2	2	
11	002139	Ball	20	20	20	
12	048531	Plug	3	3	3	
13	136019	Guide	2	2	2	
14	186524	Axel	1	1	1	
15	114414	Nut	1	1	1	
16	114416	Spring	2	2	2	
17	190993	Backplate	1	1	1	
18	135694	Cam	1	1	1	
19	184468	Washer	1	1	1	
20	114418	Lever	1	1	1	
21	S.003056	Washer	2	2	2	
22	S.020106	Nut	1	1	1	
23	187517	Brake Shoe	2	2	2	

T. VIII — LAMPS AND ELECTRICAL CONNECTIONS



T. VIII

LAMPS AND ELECTRICAL CONNECTIONS

Fig. #	Part #	Description	MPH			Notes — Applications
			20	25	30	
1	A.10004	Seal Beam	1	1	1	
2	S.016405	Washer	2	2	2	
3	186515	Switch	1	1	1	
4	S.031056	Bolt	2	2	2	
5	187584	Bracket	1	1	1	
6	122232	Horn	1	1	1	
7	S.009000	Screw	3	3	3	
8	101906	Connector	7	7	7	
9	071482	Connector	9	9	9	
10	S.012533	Washer	1	1	1	
11	189834	Switch	1	1	1	Includes Parts 8, 40
12	S.031091	Bolt	2	2	2	
13	181351	Plate	4	4	4	
14	189870	Headlamp Assembly	1	1	1	Includes Parts 1, 3, 13, 15, 16, 21, 34, 35, 37, 38
15	189914	Bracket	1	1	1	
16	189913	Reflector	2	2	2	
17	S.020105	Nut	1	1	1	
18	189828	Cable Harness	1	1	1	
19	189838	Cable Harness	1	1	1	Includes Parts 8, 9, 20, 22, 24, 42, 58
20	024577	Wire				Request by Yard
21	S.015931	Screw	3	3	3	
22	087393	Sheath				Request by Yard
23	087394	Sheath				Request by Yard
24	071037	Sleeve	9	9	9	
25	132299	H. T. Coil	1	1	1	
26	185788	Cover	1	1	1	
27	S.012532	Lock Washer	2	2	2	
28	S.016405	Lock Washer	3	3	3	
29	S.031056	Bolt	1	1	1	
30	S.031061	Bolt	2	2	2	

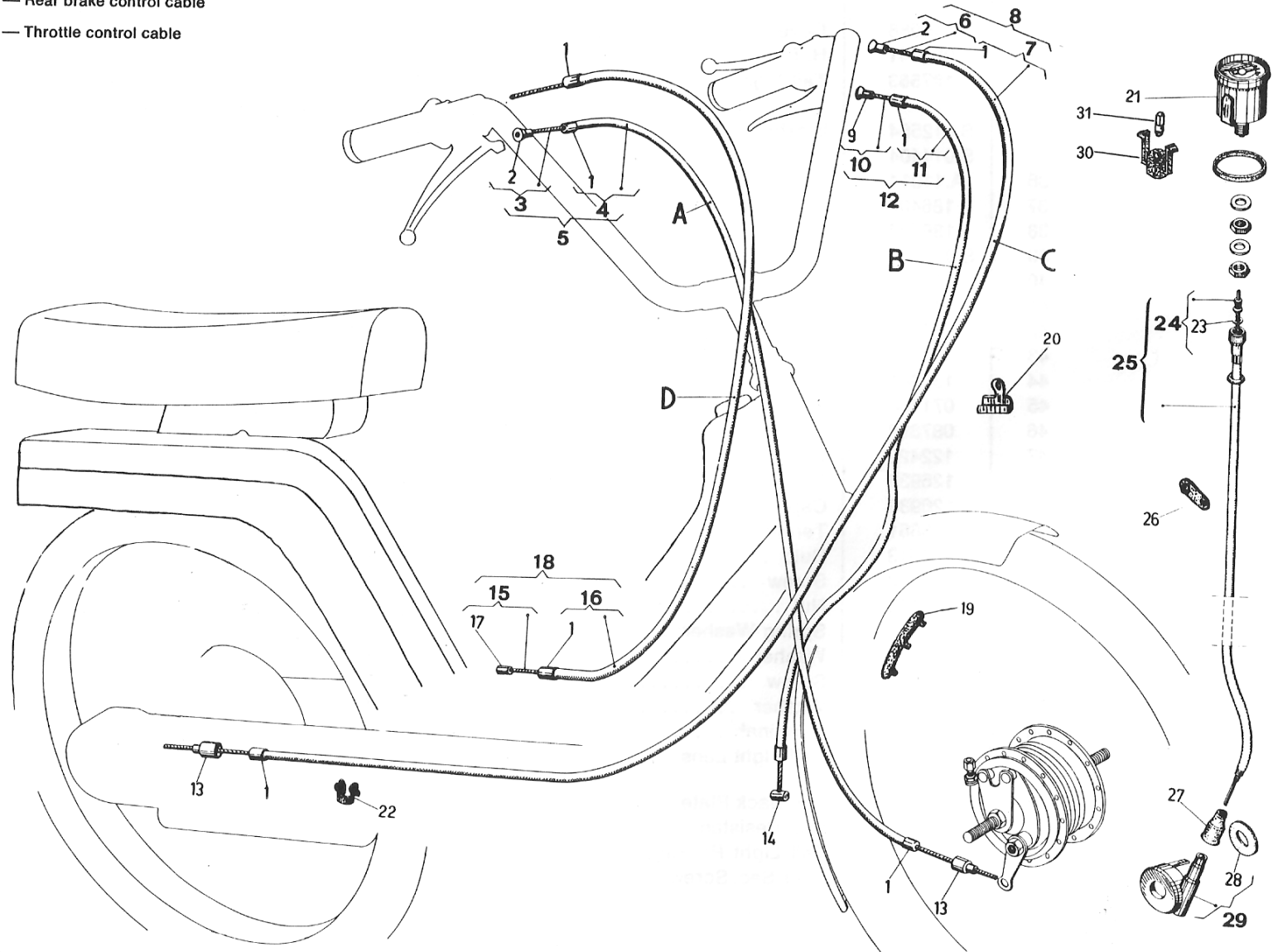
T. VIII

LAMPS AND ELECTRICAL CONNECTIONS

Fig. #	Part #	Description	MPH			Notes — Applications	
			20	25	30		
31	145088	Cover	1	1	1	Request by Yard Includes Parts 10, 36, 51, 52, 53, 54, 56, 57, 59	
32	080341	H. T. Cable					
33	187583	Tail Light Assembly	1	1	1		
34	S.012554	Washer	2	2	2	Request by Yard	
35	S.014404	Screw	2	2	2		
36	A.11014	Bulb	1	1	1		
37	186408	H. L. Rim	1	1	1		
38	186407	Gasket	1	1	1		
39	S.020105	Nut	2	2	2		
40	122364	Screw	1	1	1		
41	189833	Switch	1	1	1		
42	146371	Cover	2	2	2		
43	307166	Clip	4	4	4		
44	156341	Electric Cover	1	1	1		
45	071160	Terminal	1	1	1		
46	087398	Sheath					
47	122429	Connector	5	5	5		
48	126938	Switch	2	2	2		
49	126939	Cap	2	2	2		
50	188661	Terminal	1	1	1		
51	185913	Bulb <i>6v. 4w.</i>	1	1	1		
52	S.031092	Screw	1	1	1		
53	S.020106	Nut	3	3	3		
54	S.016406	Spring Washer	1	1	1		
55	S.013777	Washer	2	2	2		
56	S.015943	Screw	1	1	1		
57	S.013777	Washer	1	1	1		
58	071054	Terminal	2	2	2		Includes Sec. Screws — P/N S.015987
59	192930	Tail Light Lens	1	1	1		
N.I.	192931	T/L Back Plate with Resistance	1	1	1		
N.I.	192932	Tail Light Packing	1	1	1		
N.I.	S.015987	Lens Sec. Screws	2	2	2		

T. IX — CABLES — SPEEDOMETER

- A. — Front brake control cable
- B. — Decompressor control cable
- C. — Rear brake control cable
- D. — Throttle control cable



T. IX

CABLES—SPEEDOMETER

Fig. #	Part #	Description	MPH			Notes — Applications
			20	25	30	
1	147511	Nipple	8	8	8	
2	002777	Nipple	8	8	8	
3	118310	Inner Brake Cable	1	1	1	Includes Part 2
4	185604	Housing	1	1	1	DNS Use 185602
5	185602	Front Cable Brake Assembly ..	1	1	1	Includes Parts 3, 4, 13
6	185606	Inner Brake Cable Front	1	1	1	Includes Part 2
7	185607	Housing	1	1	1	DNS Use 185605
8	185605	Rear Brake Cable Assembly ...	1	1	1	Includes Part 1
9	104769	Nipple	1	1	1	
10	212688	Inner Compression Cable	1	1	1	Includes Part 9
11	185610	Housing	1	1	1	DNS Use 185608
12	212687	Decompression Cable Assembly	1	1	1	Includes Parts 10, 11, 14
13	090511	Nipple	2	2	2	
14	014657	Nipple	1	1	1	
15	103221	Inner Throttle Cable	1	1	1	Includes Part 17
16	185613	Housing	1	1	1	DNS Use 185611
17	114256	Nipple	1	1	1	
18	185611	Throttle Cable Assembly	1	1	1	Includes Parts 15, 16
19	143705	Protector	1	1	1	
20	189820	Clip	1	1	1	
21	183314	Speedo	1	1	1	
22	140435	Spring	1	1	1	
23	097756	Washer	1	1	1	
24	186332	Speedo Inner Cable	1	1	1	Includes Part 23
25	186324	Speedo Cable Assembly	1	1	1	Includes Part 24
26	307166	Clip	2	2	2	
27	121242	Boot	1	1	1	
28	137047	Packing	1	1	1	
29	114744	Gear	1	1	1	
30	188810	Holder	1	1	1	
31	029378	Bulb	1	1	1	

INDEX

Part Number	Page Number	Part Number	Page Number	Part Number	Page Number	Part Number	Page Number
A.10004	41	S.008977	29	S.016669	39	014501	9
A.11014	43	S.009000	41	S.016702	21	014657	45
A.15029	9	S.010028	11	S.017002	21	024577	41
A.25001	31	S.010047	13	S.018020	37	029378	45
A.71340	39	S.010882	19	S.020006	31	029465	9
G.68473	7	S.012012	13	S.020105	41, 43	048531	39
S.000595	7	S.012532	41	S.020106	9, 23, 25, 33, 39, 43	050274	23
S.000838	9	S.012533	23, 27, 31, 41	S.020107	9	058853	23
S.001565	13	S.012540	15, 21, 23, 33, 37	S.020108	21	070604	31
S.003054	11	S.012554	9, 43	S.020206	35	070605	31
S.003056	23, 31, 33, 35, 39	S.012768	9	S.020207	19	070606	31
S.003057	9, 19, 31	S.013777	23, 27, 43	S.020208	23	071037	41
S.003058	15, 23	S.013877	19, 29	S.021210	37	071054	11, 43
S.005962	11	S.013963	11	S.030055	9	071160	43
S.005965	19	S.014404	43	S.030113	25	071482	41
S.006057	17	S.015005	9	S.031056	41	071671	9
S.006176	29	S.015120	9	S.031061	41	080341	43
S.006426	21	S.015252	25	S.030280	17	085291	15
S.006612	7	S.015525	19	S.031086	23, 31, 33	087393	41
S.006705	19	S.015585	7	S.031091	17, 23, 27, 35, 41	087394	41
S.006732	37	S.015612	11	S.031092	29, 43	087398	43
S.006966	9	S.015784	25	S.031115	15, 23, 31	090506	15
S.006976	17	S.015931	41	S.031116	37	090511	45
S.006977	9	S.015943	43	S.031150	17	092403	15
S.008080	23, 31	S.015987	43	000267	7, 21	097756	45
S.008108	25	S.016320	13	000397	17, 35	098128	13
S.008455	11, 31	S.016404	11, 15	000622	11	098130	15
S.008753	7	S.016405	41	002139	39	098134	13
S.008766	17	S.016406	43	002777	45	098135	13
S.008771	21	S.016408	23	002942	21	098136	13
S.008808	17	S.016410	17, 25	004282	17	101906	41

INDEX

Part Number	Page Number	Part Number	Page Number	Part Number	Page Number	Part Number	Page Number
102258	7	104662	17	114058	11	122622	35
102413	19	104769	45	114219	29	122623	35
102414	19	104862	11	114256	45	122624	35
102931	11	104864	11	114411	39	122625	35
102939	9	112967	7	114414	39	122626	35
102941	9	112978	7	114415	39	122637	35
102943	7	113055	13	114416	39	122643	35
103018	19	113244	9	114418	39	122644	35
103054	19	113245	9	114482	15	122645	35
103059	17	113246	9	114531	21	122670	25
103060	19	113247	9	114744	45	122671	25
103061	19	113681	7	118175	23	122672	25
103062	17	113708	7	118310	45	122758	35
103105	17	113817	19	120070	7	122769	37
103112	17	113901	13	120214	21	122776	37
103133	11	113908	15	120215	21	122780	37
103137	7	113909	15	120262	21	122781	37
103221	45	113910	15	120519	15	122957	25
103241	11	113912	15	120870	21	122992	29
103557	29	113915	13	121022	21	123196	35
103613	21	113916	13	121242	45	123389	31
103614	17	113917	13	121537	21	123390	31
103689	19	113919	13	121780	29	123391	31
103823	17	113922	13	121781	31	123392	31
103825	17	113923	13	122192	17	123394	31
103826	17	113926	13	122232	41	123395	31
103964	29	113927	15	122364	43	123472	35
104468	19	113935	33	122390	9	123473	35
104469	21	113936	33	122429	43	124222	35
104559	9	114056	9	122522	27	124226	21
104560	11	114057	11	122523	27	124583	37

INDEX

Part Number	Page Number	Part Number	Page Number	Part Number	Page Number	Part Number	Page Number
124596	13	131511	17	142561	9	164147	13
124597	15	131512	17	143326	29	164149	13
124598	15	131513	17	143327	29	164165	25
124602	13	131514	17	143705	45	164166	25
5/124709	11	131515	21	144074	31	164167	25
124714	9	131523	19	145088	43	164245	25
124752	13	132057	35	146371	11, 43	164310	9
124753	13	132233	7	147511	45	164358	25
124768	37	132299	41	147520	23	165749	21
124775	19	132515	7	152040	11	168549	13
124781	19	132871	25	152785	33	168595	7
124783	19	132903	17	152793	7	174993	31
124829	39	135233	15	154533	19	174994	29
124896	35	135694	39	155226	31	175432	29
124963	21	135696	39	156341	43	175739	21
124964	19	135697	39	158883	11	175741	21
126938	43	135734	13	163460	37	175747	21
126939	43	136019	39	163653	29	175749	21
130240	17	136178	37	163654	29	175751	17
130529	17	136951	21	163655	31	176369	37
130530	11	136952	21	163708	31	176409	21
130579	19	137047	45	163717	25	176418	11
130793	33	137491	29	163928	35	176609	21
130969	15	137679	23	163932	35	176610	21
131009	13	137690	7	163933	35	176612	21
131031	19	137693	7	163934	35	176617	19
131331	9	138345	35	163935	37	176618	19
131332	9	139122	11	164000	31	176945	29
131502	17	140435	45	164115	29	176946	29
131503	17	141177	19	164144	35	177072	29
131509	17	141737	29	164145	37	177073	29

INDEX

Part Number	Page Number	Part Number	Page Number	Part Number	Page Number	Part Number	Page Number
177356	19	185610	45	186524	39	189824	29
180673	31	185611	45	186680	27	189825	29
180859	25	185613	45	186681	27	189828	41
181351	41	185730	39	186754	9	189833	43
182347	27	185776	25	186864	23	189834	41
182518	7	185788	41	186886	13	189838	41
182519	7	185793	25	186924	25	189870	41
182592	7	185802	31	186948	31	189911	23
182593	7	185818	25	187035	33	189913	41
183314	45	185869	25	187040	25	189914	41
183524	23	185913	43	187319	31	189964	23
183525	23	186075	23	187517	39	190312	21
183905	25	186222	25	187583	43	190315	21
183907	25	186223	27	187584	41	190726	7
184043	25	186250	27	187585	25	190823	35
184431	35	186251	27	187961	23	190993	39
184468	39	186253	27	188319	33	191034	7
184875	33	186254	27	188320	33	191055	23
184876	33	186318	23	188661	43	191228	7
184954	23	186319	23	188810	45	191230	13
185231	7	186321	23	189021	29	191439	39
185256	29	186324	45	189022	29	191863	13
185257	29	186332	45	189298	35	191871	7
185345	39	186407	43	189476	35	192930	43
185379	15	186408	43	189478	37	192931	43
185443	25	186411	31	189812	9	192932	43
185602	45	186413	13	189813	9	212039	23
185604	45	186433	29	189815	11	212687	45
185605	45	186474	15	189817	29	212688	45
185606	45	186506	15	189819	31	307166	43, 45
185607	45	186515	41	189820	45		



2525 University Avenue San Diego, CA 92104
Tel: (619) 574-1818 Fax: (619) 574-0227