





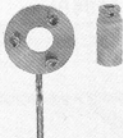
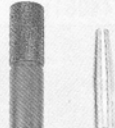









SPECIAL TOOLS CATALOGUE

SPECIAL TOOL

1. GA5000051F08	CRANK SHAFT&RIGHT HAND CRANK CASE.....	P.05
2. GA5000051F22	FLYWHEEL MAGNETO REMOVER.....	P.06
3. GA5000051F04	C.V.T.-R HOLD.....	P.07
4. GA5000051F05	CRANK CASE&SHAFT REMOVER.....	P.08
5. GA5000051F35	C.V.T.-F HOLD AND REMOVE.....	P.09
6. GA504AL06D06	OIL SEAL ASSEMBLY TOOLS.....	P.10
7. GA5000051F15	BEARING INSTALLER.....	P.11
8. GA5000051F16	BEARING INSTALLER.....	P.12
9. GA5000051F17	BEARING INSTALLER.....	P.13
10. GA5000051F18	BEARING INSTALLER.....	P.14
11. 440615	BEARING INSTALLER.....	P.15
12. GA5000051F12	BEARING REMOVE.....	P.16
13. GA5000051F19	BEARING REMOVE.....	P.17
14. GA5000051F20	BEARING REMOVE.....	P.18
15. GA5000051F21	BEARING REMOVE.....	P.19
16. 440613	BEARING REMOVE.....	P.20
17. GA5000051F30	OIL SEAL INSTALLER.....	P.21

18.	GA5000051F31	OIL SEAL INSTALLER.....	P.22
19.	GA5000051F32	OIL SEAL INSTALLER.....	P.23
20.	GA5000051F33	OIL SEAL INSTALLER.....	P.24
21.	440601	UNIVERSAL WRENCH.....	P.25
22.	440602	FLYWHEEL REMOVER.....	P.26
23.	440603	GEAR REMOVE.....	P.27
24.	440604	FOUR LEGS SLEEVE.....	P.28
25.	440605	STARTER SPRING ASSEMBLY TOOL.....	P.29
26.	440607	INNER CHAIN WRENCH.....	P.30
27.	440608	SOCKET OF VALVE ADJUSTING BOLT.....	P.31
28.	440609	VALVE COTTER TOOL.....	P.32
29.	440610	BUSH REMOVER.....	P.33
30.	440611	FIX NUT SOCKET.....	P.34
31.	440612	C.V.T.-F HOLD.....	P.35
32.	440616	SPECIAL SOCKET HEAD.....	P.36
33.	440617	BATTERY HYDROMETER.....	P.37
34.	440618	REMOVE SPRING TOOL.....	P.38

SPECIAL TOOL CATALOGUE

GA5000051F08	P.05	GA5000051F22	P.06	GA5000051F04	P.07	GA5000051F05	P.08	GA5000051F35	P.09
									
GA504AL06D06	P.10	GA5000051F15	P.11	GA5000051F16	P.12	GA5000051F17	P.13	GA5000051F18	P.14
									
440615	P.15	GA5000051F12	P.16	GA5000051F19	P.17	GA5000051F20	P.18	GA5000051F21	P.19
									

440613	P.20	GA5000051F30	P.21	GA5000051F31	P.22	GA5000051F32	P.23	GA5000051F33	P.24
440601	P.25	440602	P.26	440603	P.27	440604	P.28	440605	P.29
440607	P.30	440608	P.31	440609	P.32	440610	P.33	440611	P.34
440612	P.35	440616	P.36	440617	P.37	440618	P.38		

• 4 •

PARTS NO. : GA5000051F08

PARTS NAME : CRANK SHAFT&RIGHT HAND CRANK CASE

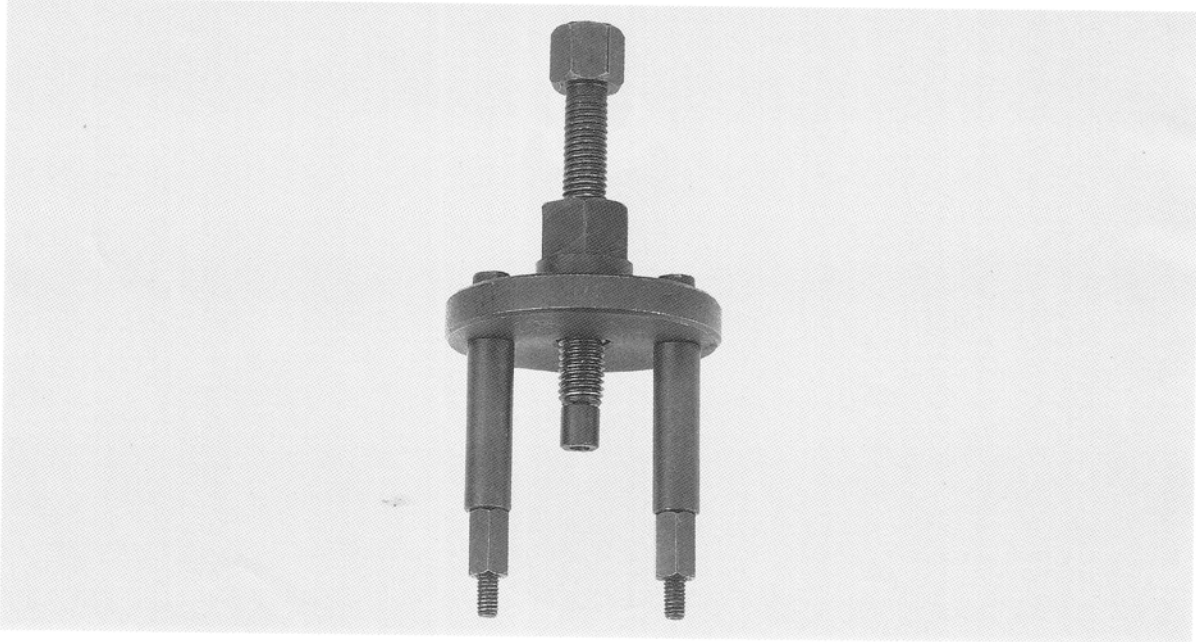


APPLICATION : TO DRAW THE CRANK SHAFT INTO THE RIGHT HAND CRANK CASE. (50CC ENGINE)

• 5 •

PARTS NO. : GA5000051F22

PARTS NAME : FLYWHEEL MAGNETO REMOVER

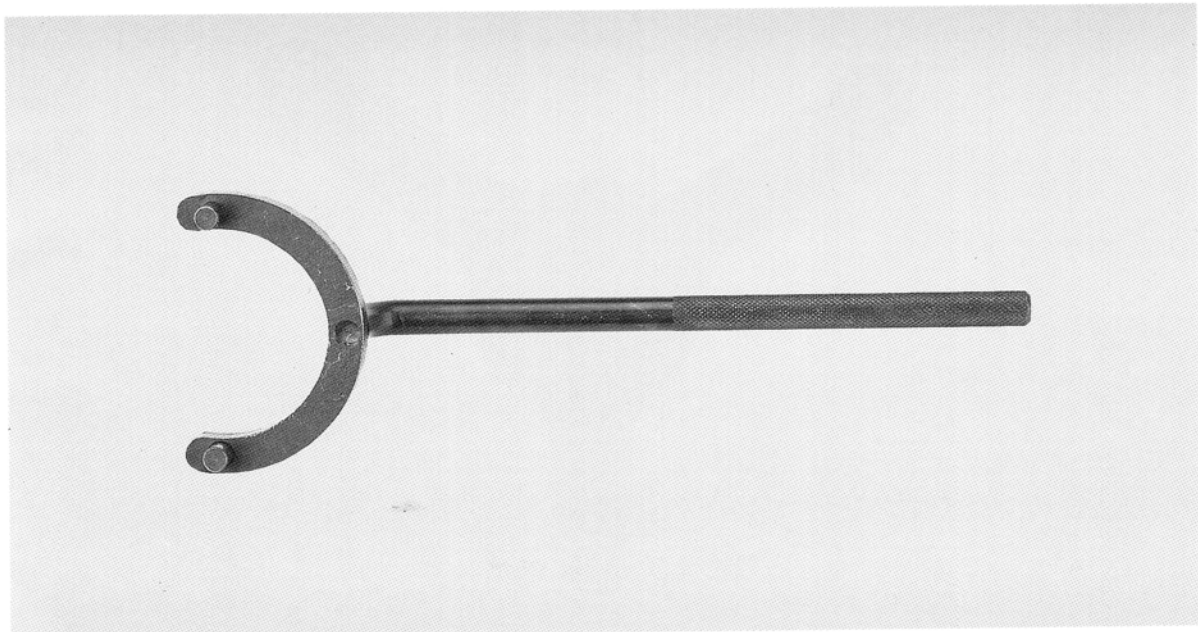


APPLICATION : TO REMOVE FLYWHEEL MAGNETO.(50CC ENGINE)

• 6 •

PARTS NO. : GA5000051F04

PARTS NAME : C.V.T.-R REMOVER

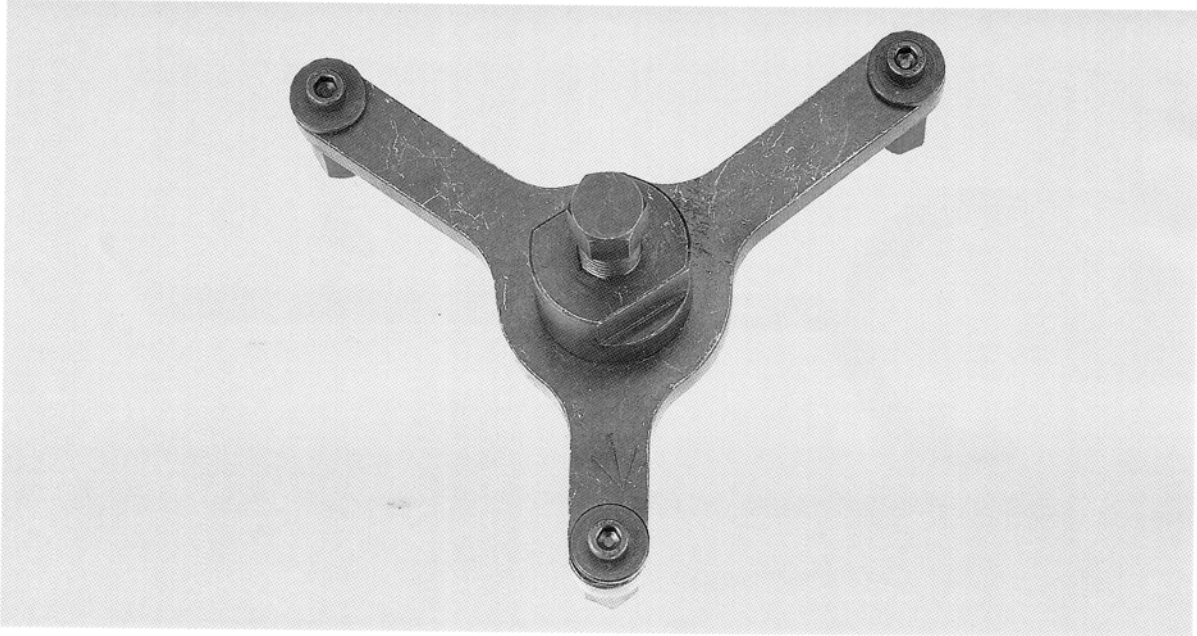


APPLICATION : (1)HOLD DRIVEN PULLEY AND FLYWHEEL MAGNETO.
(2)TO REMOVE CENTRAL NUT. (50CC ENGINE)

• 7 •

PARTS NO. : GA5000051F05

PARTS NAME : CRANK CASE&SHAFT REMOVER

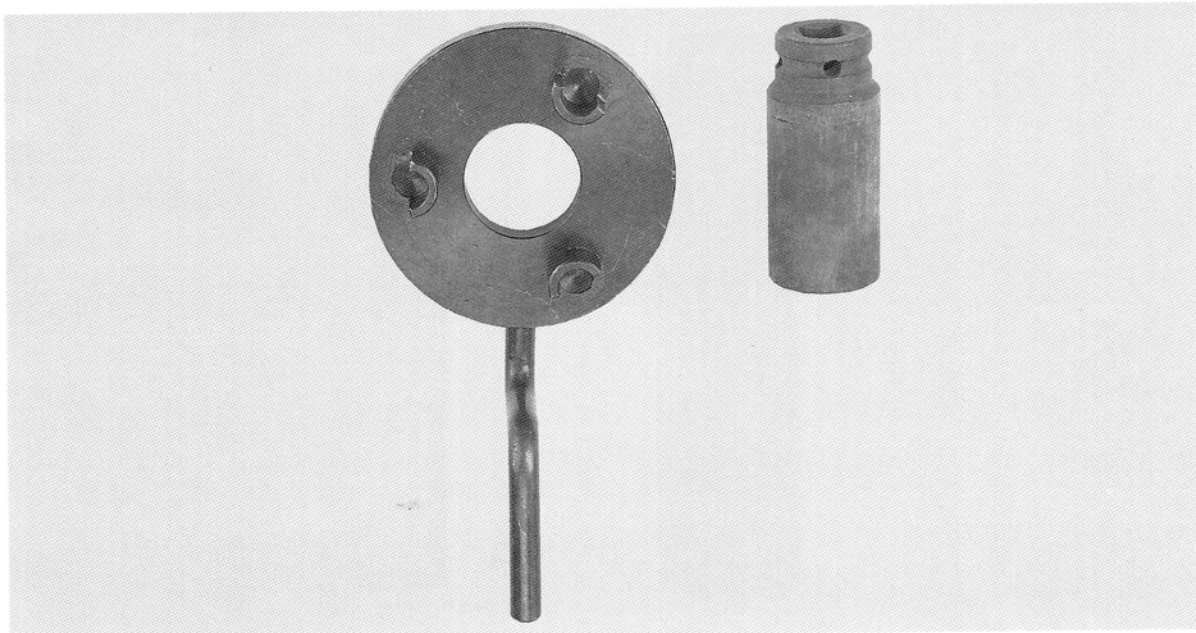


APPLICATION : TO DIVIDE CRANK CASE AND TO DRAW OUT CRANK SHAFT.
(50CC ENGINE)

• 8 •

PARTS NO. : GA5000051F35

PARTS NAME : C.V.T.-F REMOVER

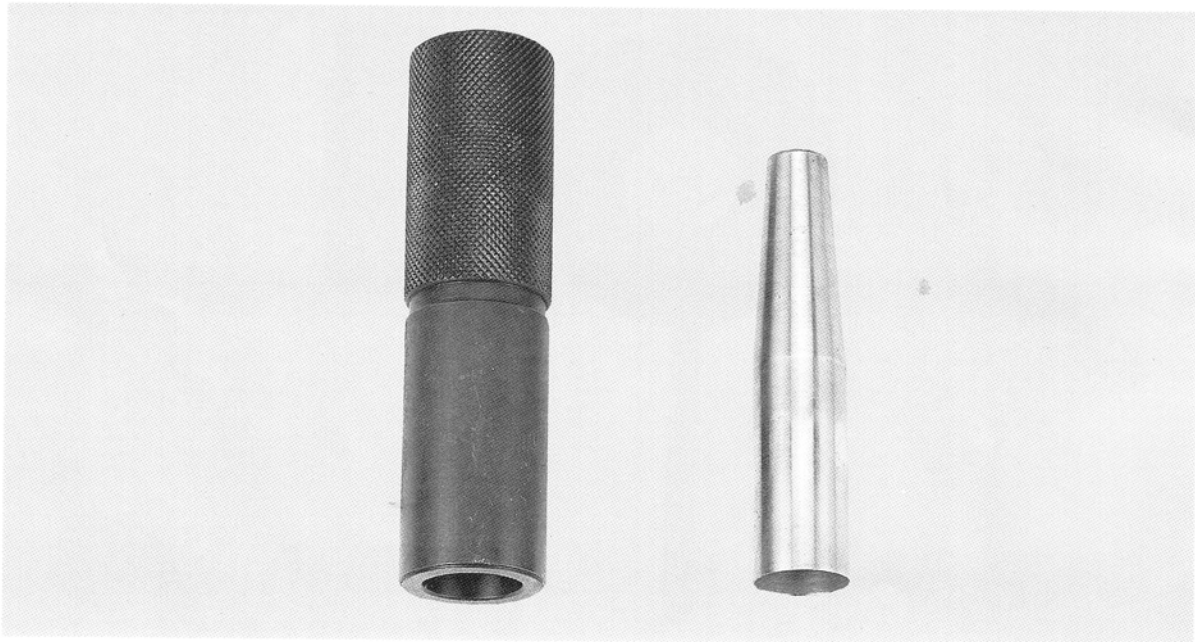


APPLICATION : (1) TO HOLD THE DRIVING PULLEY OF C.V.T.
(2) TO REMOVE RIGHT HAND KICK STARTER. (50CC ENGINE)

• 9 •

PARTS NO. : GA504AL06D06

PARTS NAME : OIL SEAL ASSEMBLY TOOLS



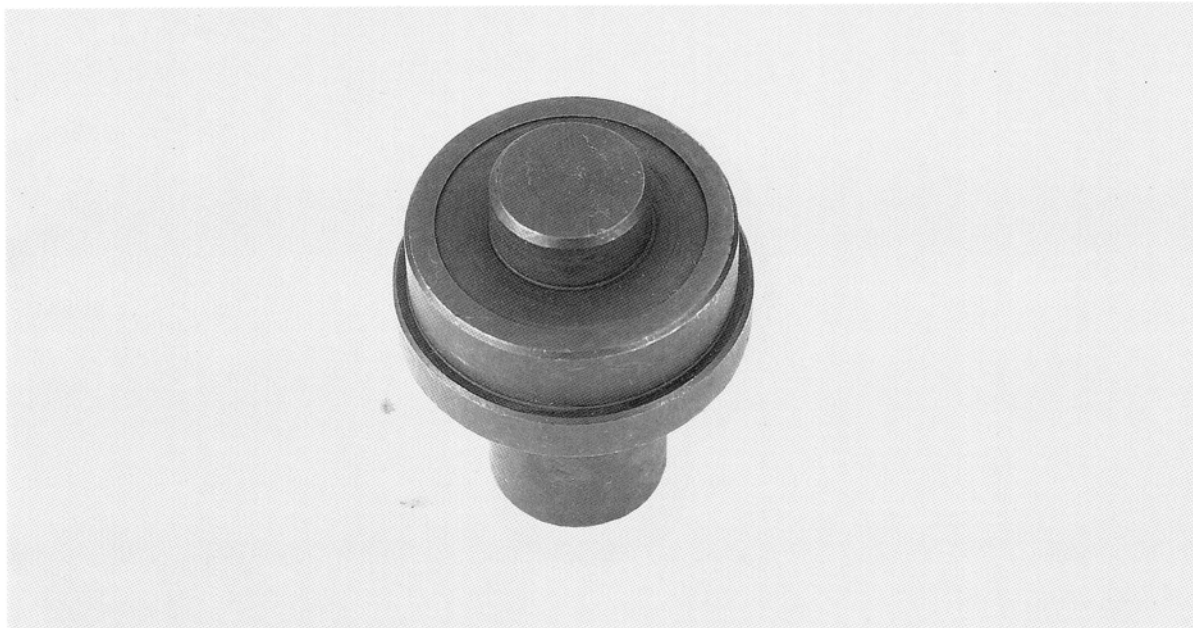
APPLICATION : ASSEMBLE OIL SEAL ON CRANK SHAFT AND AVOID OIL SEAL INNER DIAMETER DAMAGED BY CRANK SHAFT TEETH.
(50CC ENGINE)

• 10 •

PARTS NO. : GA5000051F15

PARTS NAME : BEARING INSTALLER

APPLICABLE SCOPE : $\phi 25 \times \phi 52$



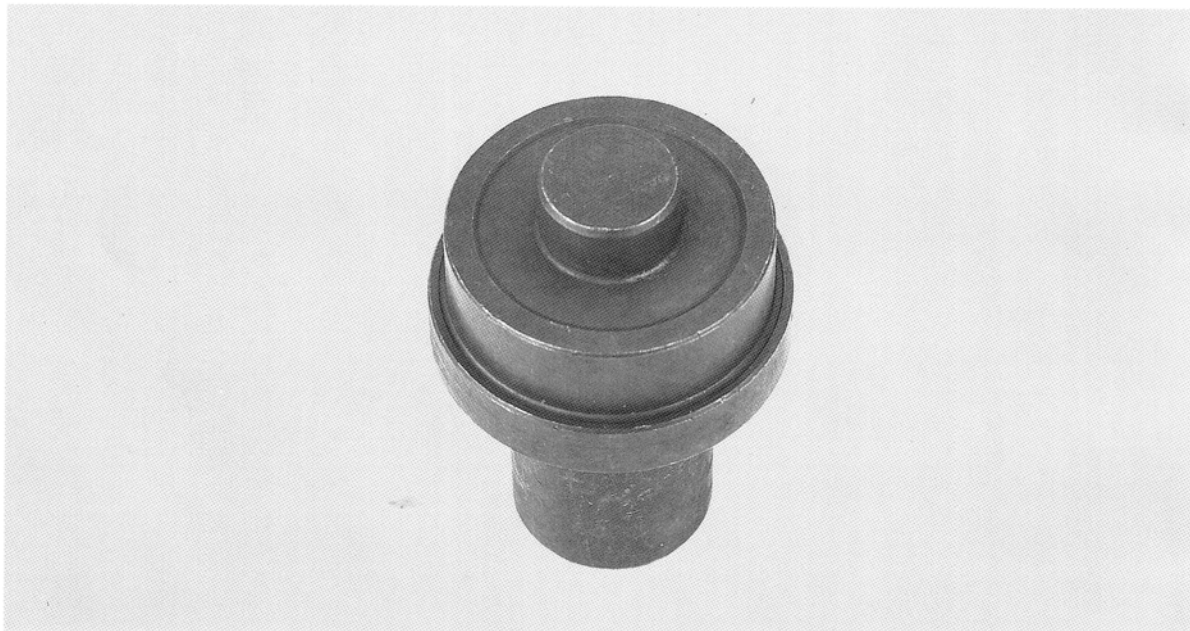
APPLICATION : TO PUNCH LEFT HAND CRANK SHAFT BEARING IN TO THE CRANK CASE.

• 11 •

PARTS NO. : GA5000051F16

PARTS NAME : BEARING INSTALLER

APPLICABLE SCOPE : $\phi 20 \times \phi 47$



APPLICATION : (1) TO PUNCH RIGHT HAND CRANK SHAFT BEARING INTO THE CRANK CASE.

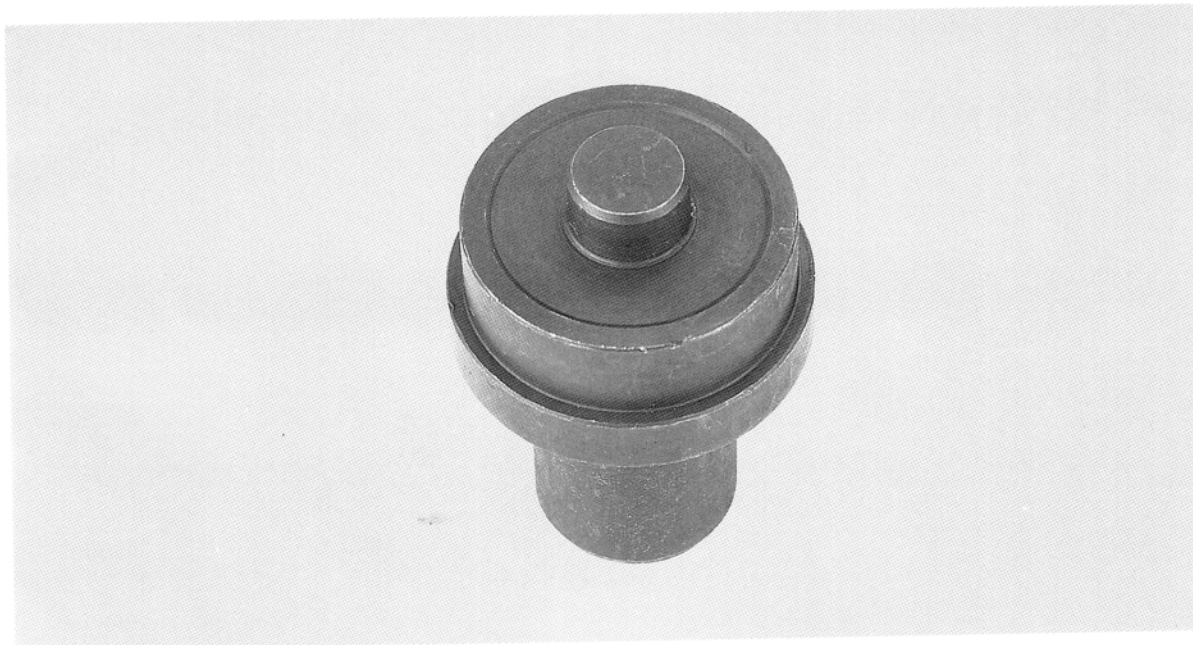
(2) TO PUNCH REAR SHAFT BEARING INTO THE LH CRANK CASE.

• 12 •

PARTS NO. : GA5000051F17

PARTS NAME : BEARING INSTALLER

APPLICABLE SCOPE : $\phi 17 \times \phi 47$



APPLICATION : TO PRESS LH BEARING OF DRIVE SHAFT OF GEAR BOX COVER.

• 13 •

PARTS NO. : GA5000051F18

PARTS NAME : BEARING INSTALLER

APPLICABLE SCOPE : $\phi 12 \times \phi 32$



APPLICATION : TO PRESS RIGHT HAND BEARING OF DRIVE SHAFT.

• 14 •

PARTS NO. : 440615

PARTS NAME : BEARING INSTALLER

APPLICABLE SCOPE : $\phi 15 \times \phi 32$



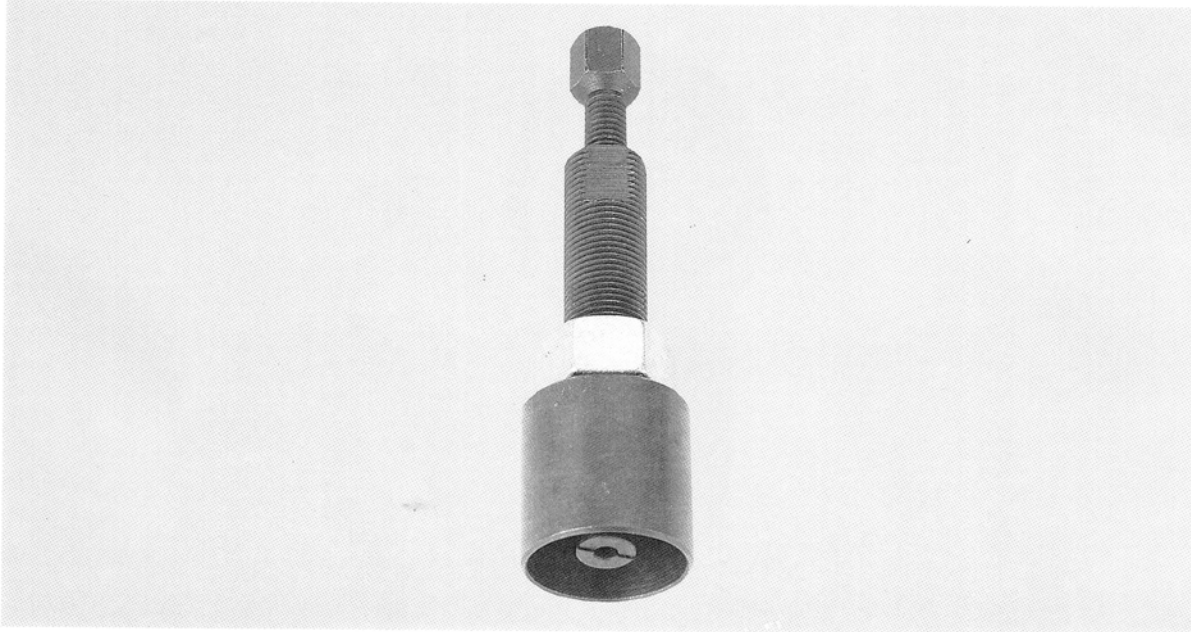
APPLICATION : TO PRESS RIGHT HAND BEARING OF DRIVE SHAFT.

• 15 •

PARTS NO. : GA5000051F12

PARTS NAME : BEARING REMOVER

APPLICABLE SCOPE : ϕ 12



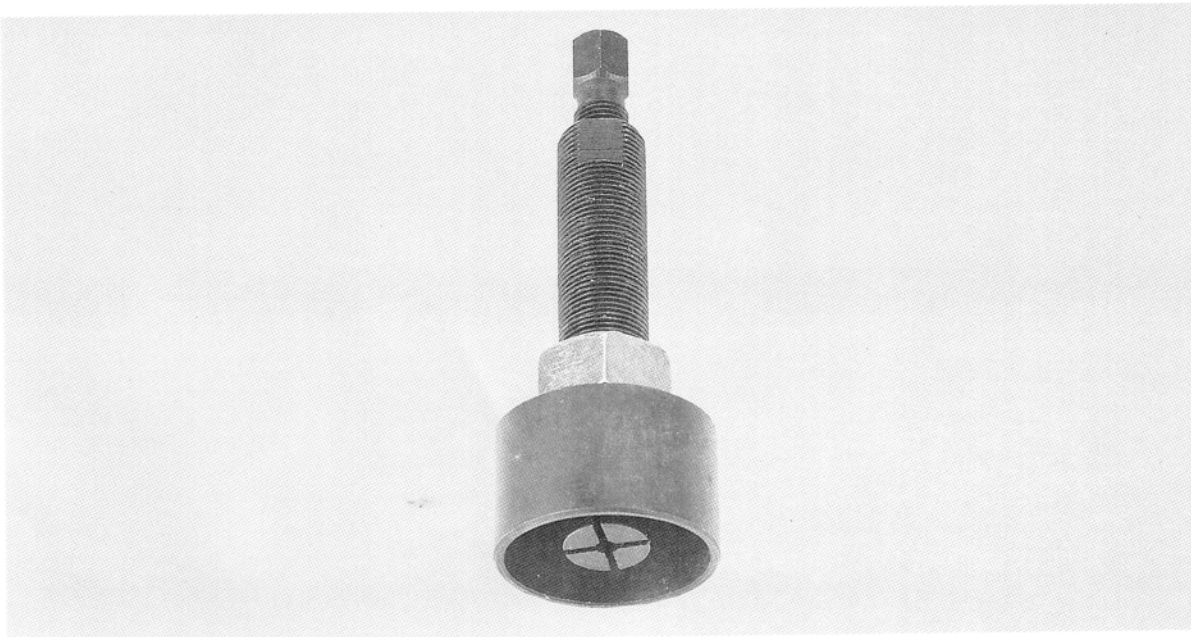
APPLICATION : TAKING OUT RIGHT HAND BEARING OF DRIVE SHAFT.

• 16 •

PARTS NO. : GA5000051F19

PARTS NAME : BEARING REMOVER

APPLICABLE SCOPE : ϕ 20

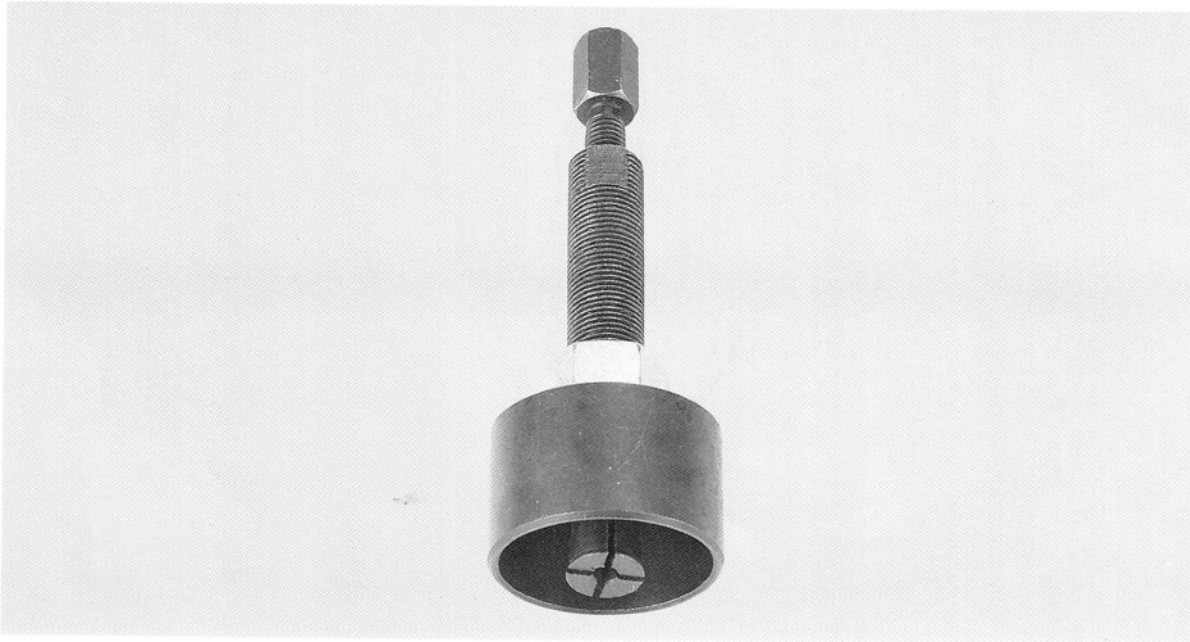


APPLICATION : TAKING OUT RH CRANK SHAFT BEARING OF CRANKE CASE
AND BEARING OF REAR AXLE ON LEFT HAND CRANK CASE.

• 17 •

PARTS NO. : GA5000051F20
PARTS NAME : BEARING REMOVER

APPLICABLE SCOPE : ϕ 17

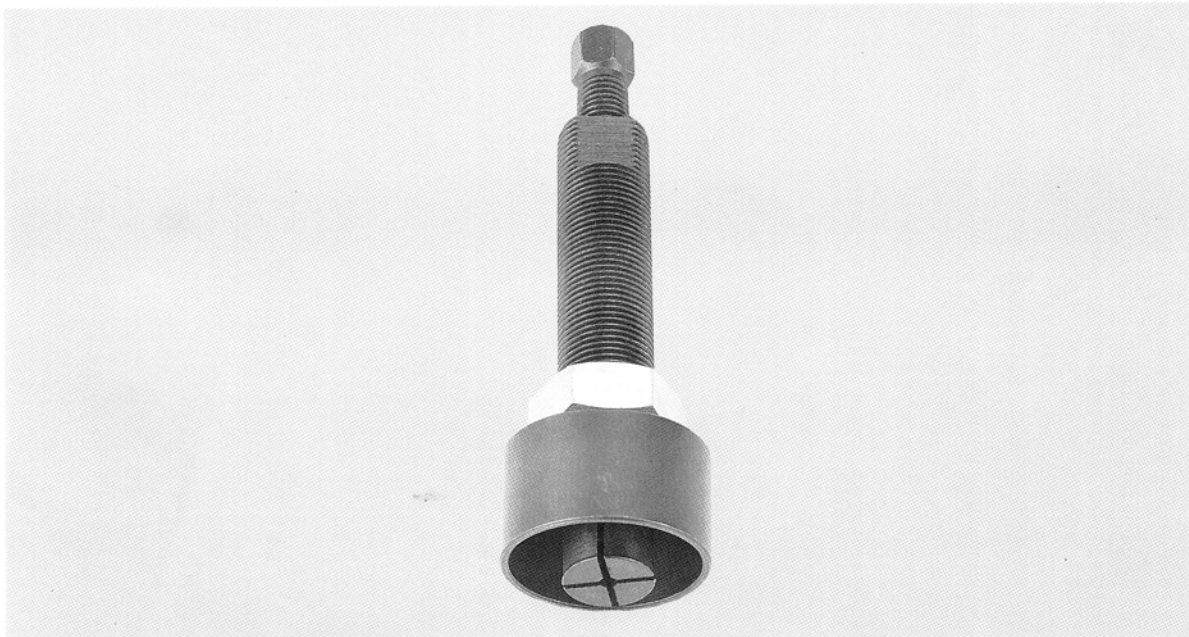


APPLICATION : TAKING OUT LH BEARING OF DRIVE SHAFT OF GEAR BOX COVER.

• 18 •

PARTS NO. : GA5000051F21
PARTS NAME : BEARING REMOVER

APPLICABLE SCOPE : ϕ 25



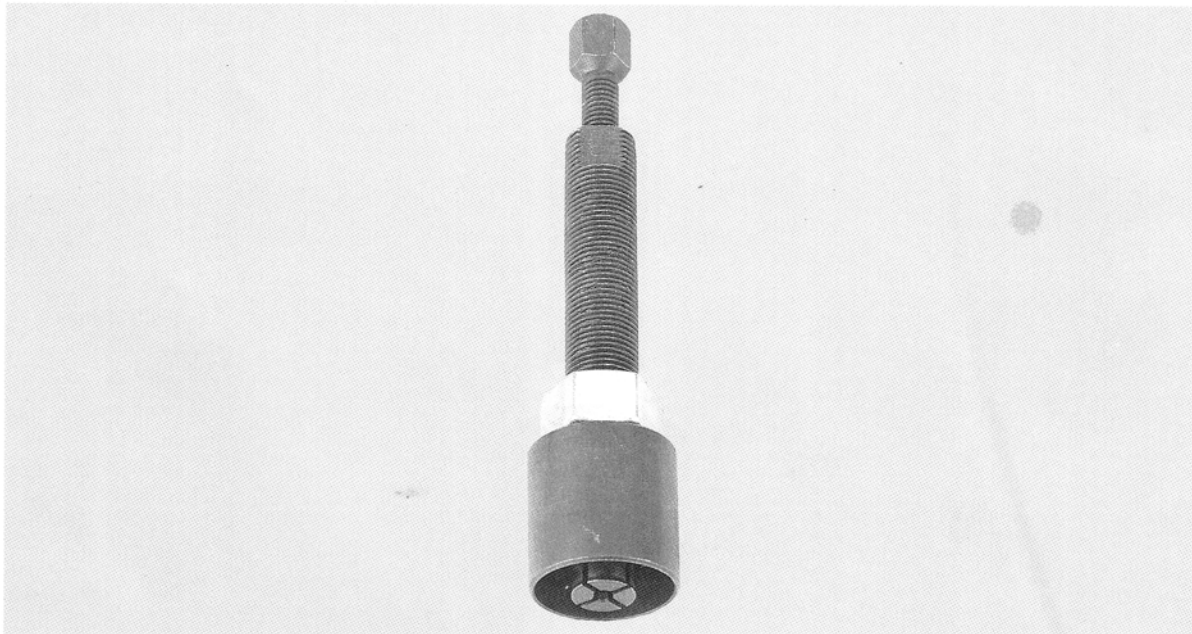
APPLICATION : TAKING OUT LEFT HAND BEARING OF CRANK SHAFT.

• 19 •

PARTS NO. : 440613

PARTS NAME : BEARING REMOVER

APPLICABLE SCOPE : ϕ 15



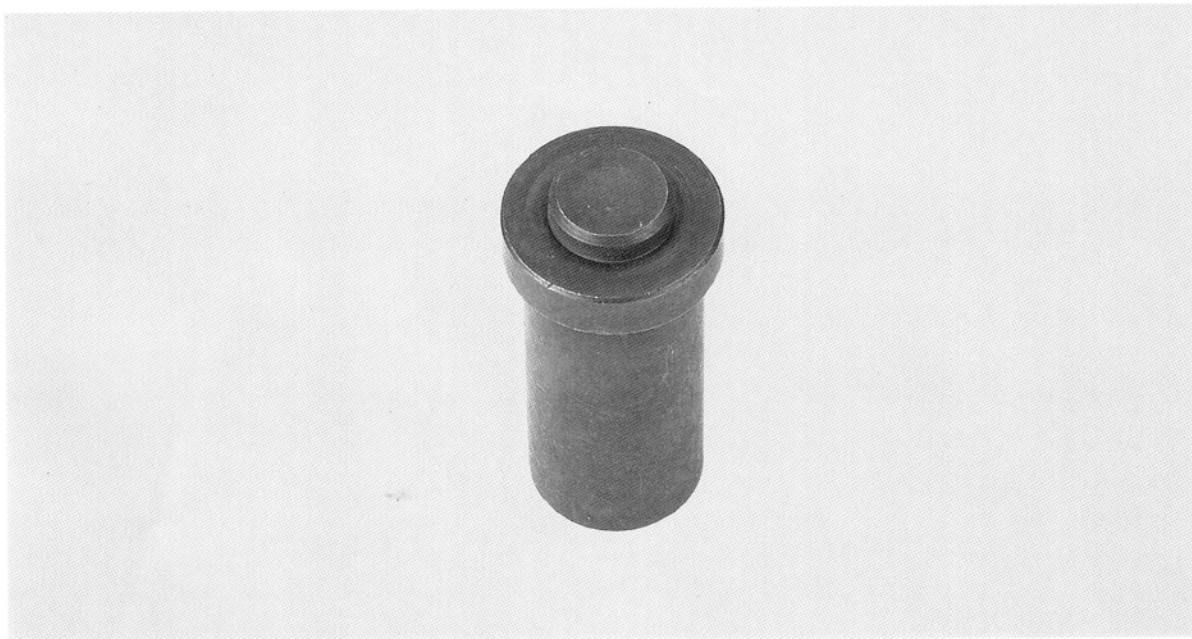
APPLICATION : TAKING OUT RIGHT HAND BEARING OF DRIVE SHAFT.

• 20 •

PARTS NO. : GA5000051F30

PARTS NAME : OIL SEAL INTALLER

APPLICABLE SCOPE : ϕ 17 \times ϕ 27



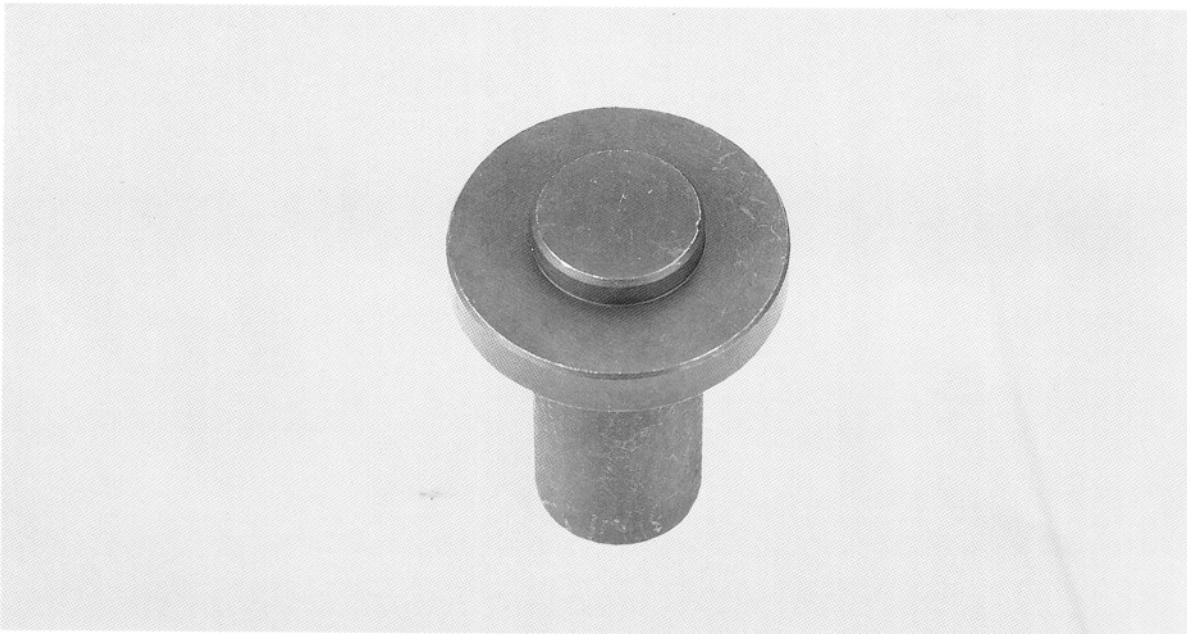
APPLICATION : OIL SEAL FOR RIGHT HAND CRANK CASE AND GEAR BOX COVER.

• 21 •

PARTS NO. : GA5000051F31

PARTS NAME : OIL SEAL INTALLER

APPLICABLE SCOPE : $\phi 24 \times \phi 43$



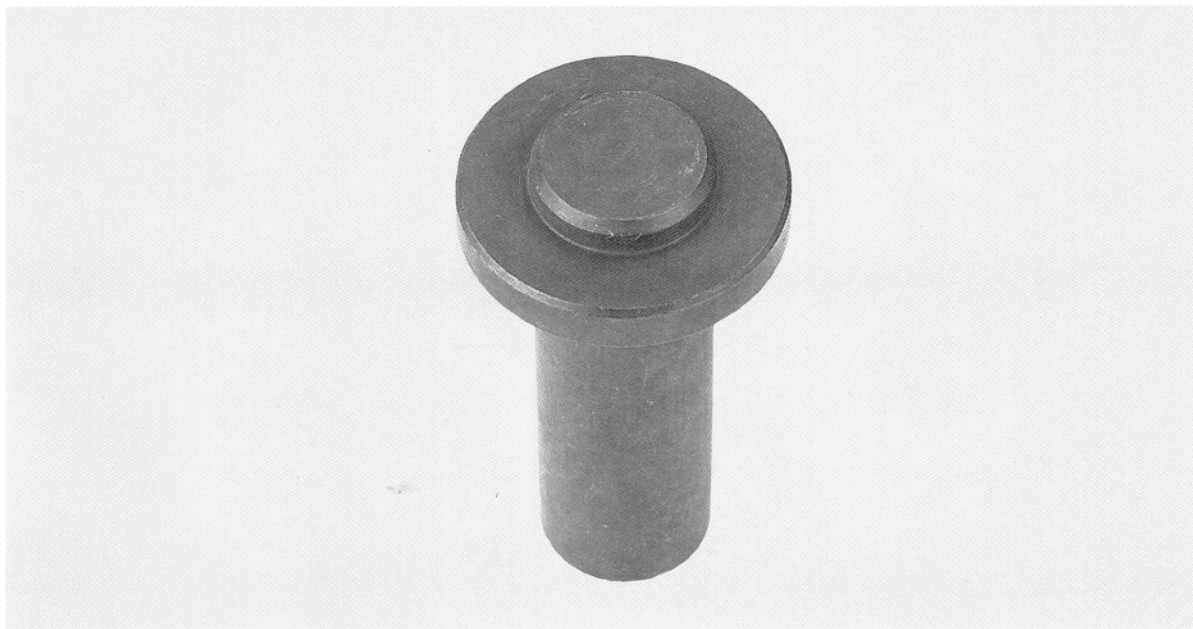
APPLICATION : LEFT HAND CRANK CASE. (OIL SEAL FOR ENGINE OIL PUMP GEAR)

• 22 •

PARTS NO. : GA5000051F32

PARTS NAME : OIL SEAL INSTALLER

APPLICABLE SCOPE : $\phi 25 \times \phi 37$



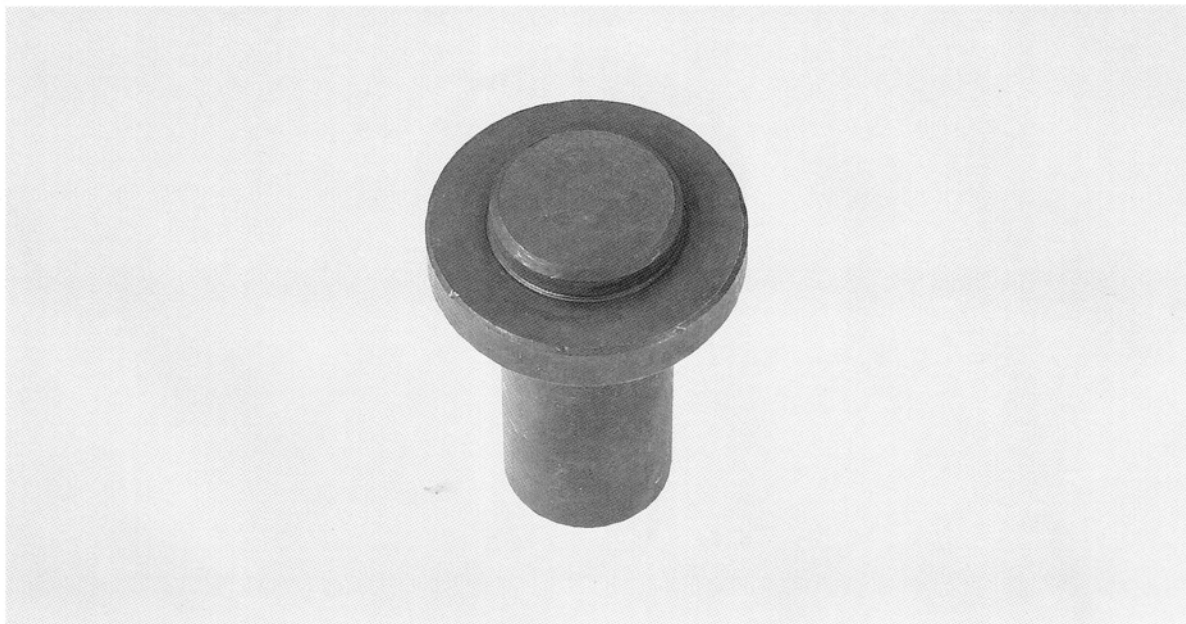
APPLICATION : LEFT HAND CRANK CASE. (OIL SEAL FOR LEFT HAND CRANK SHAFT)

• 23 •

PARTS NO. : GA5000051F33

PARTS NAME : OIL SEAL INTALLER

APPLICABLE SCOPE : $\phi 27 \times \phi 40$

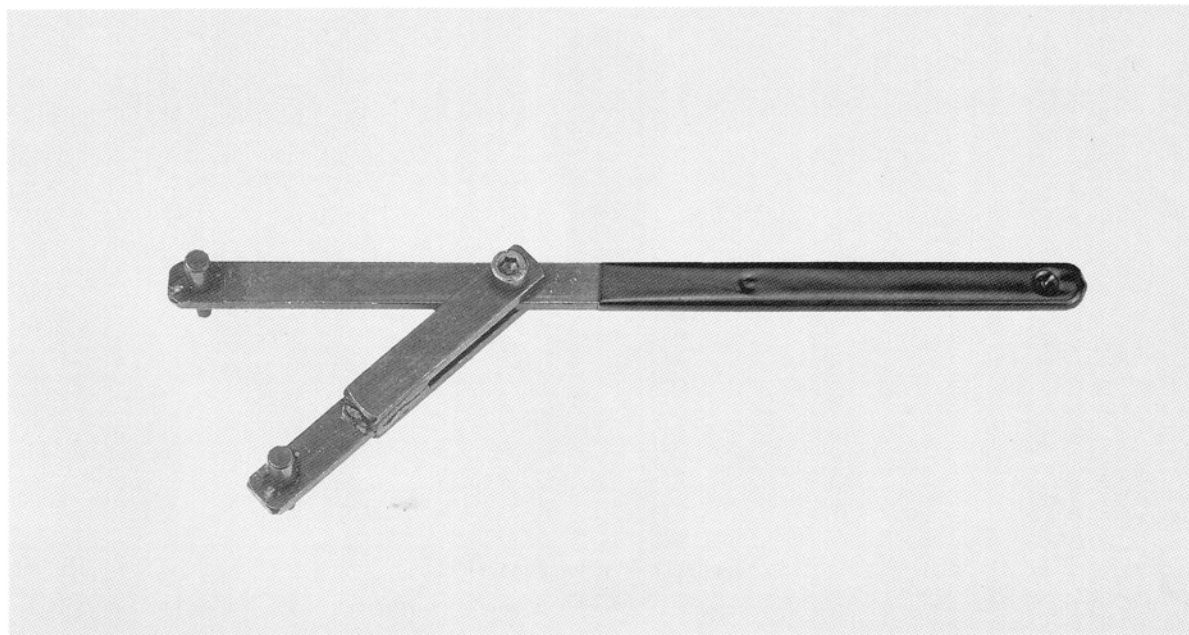


APPLICATION : TO INSTALL OIL SEAL FOR REAR AXLE AND CRANK CASE.

• 24 •

PARTS NO. : 440601

PARTS NAME : UNIVERSAL WRENCH

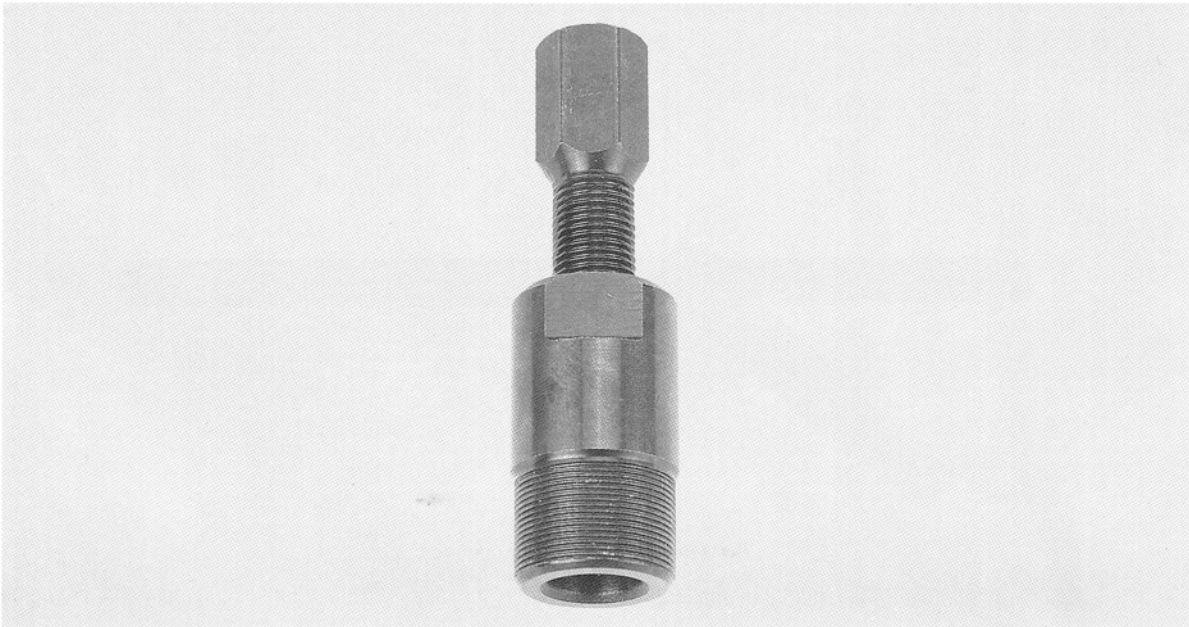


APPLICATION : HOLD DRIVEN PULLEY AND FLYWHEEL MAGNETO TO REMOVE CENTRAL NUT.(125CC ENGINE)

• 25 •

PARTS NO. : 440602

PARTS NAME : FLYWHEEL REMOVER

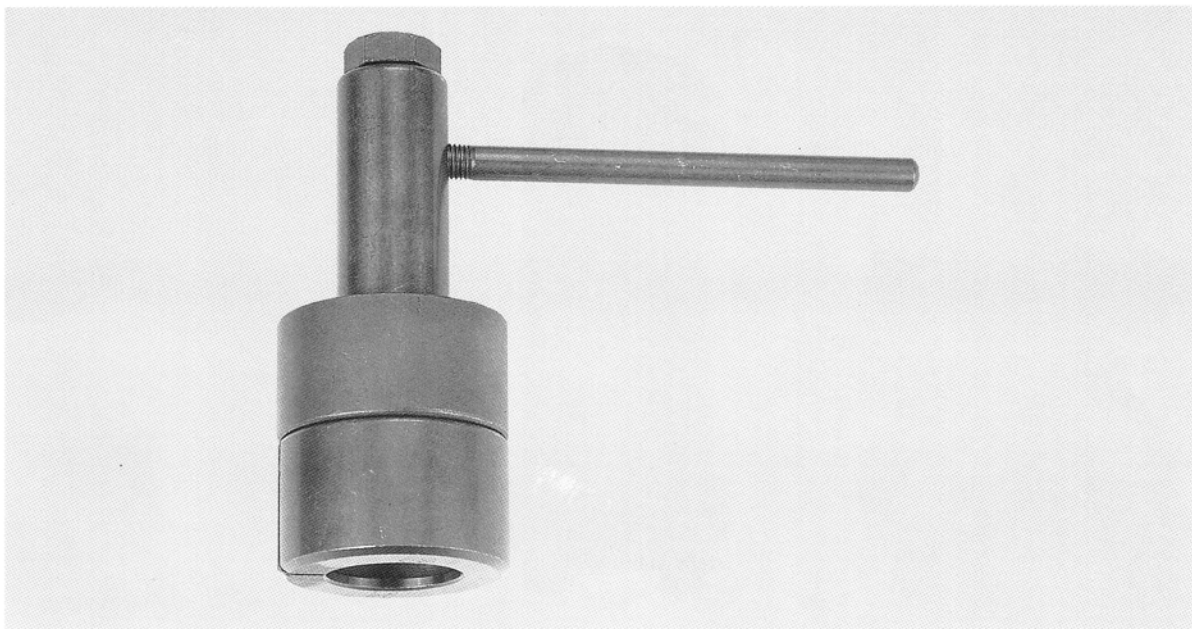


APPLICATION : USED FOR REMOVING FLYWHEELMAGNETO.(125CC ENGINE)

• 26 •

PARTS NO. : 440603

PARTS NAME : GEAR REMOVER

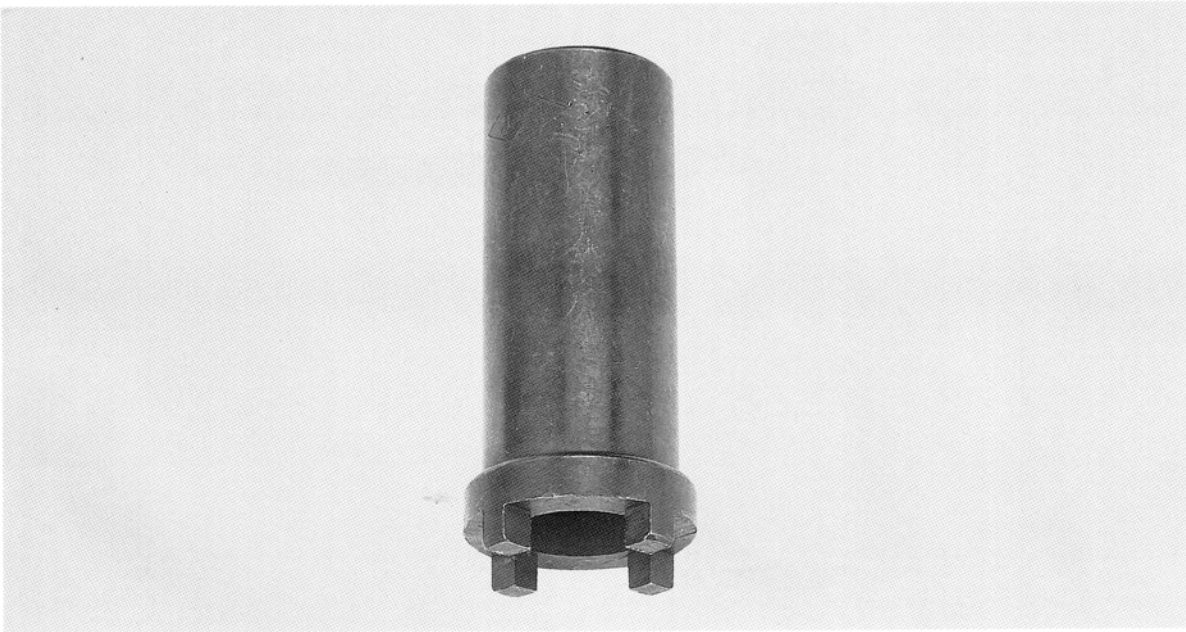


APPLICATION : USED FOR REMOVING STARTER DRIVEN GEAR.
(125CC ENGINE)

• 27 •

PARTS NO. : 440604

PARTS NAME : FOUR LEGS SLEEVE

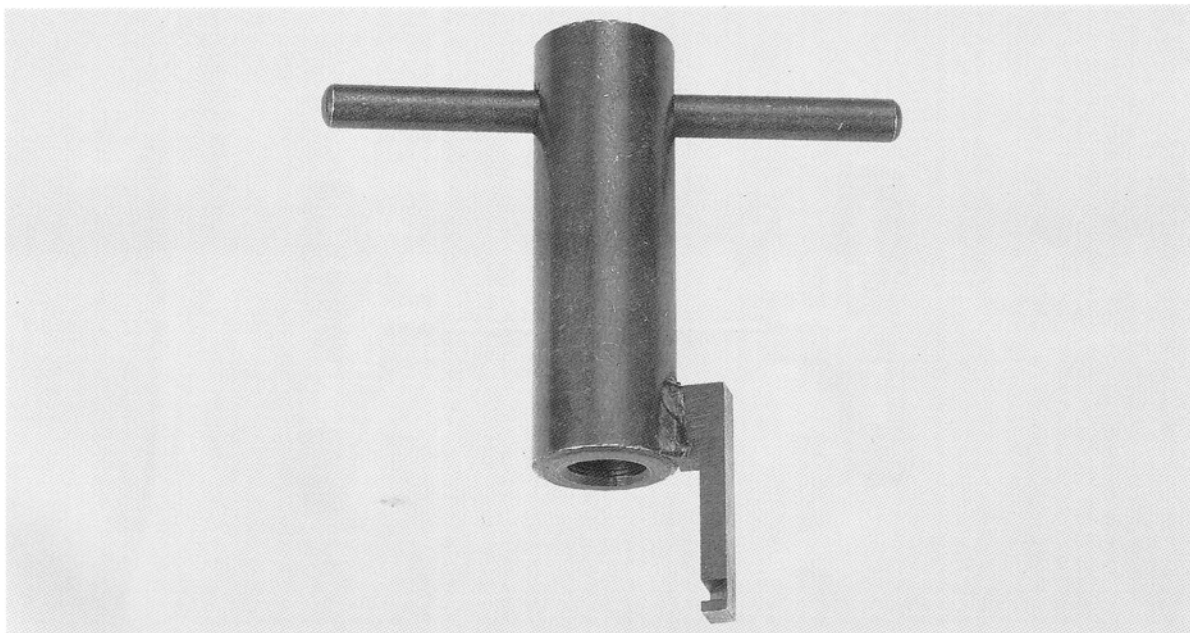


**APPLICATION : USED FOR REMOVING STARTER CLUTCH GEAR.
(125CC ENGINE)**

• 28 •

PARTS NO. : 440605

PARTS NAME : STARTER SPRING ASSEMBLY TOOL

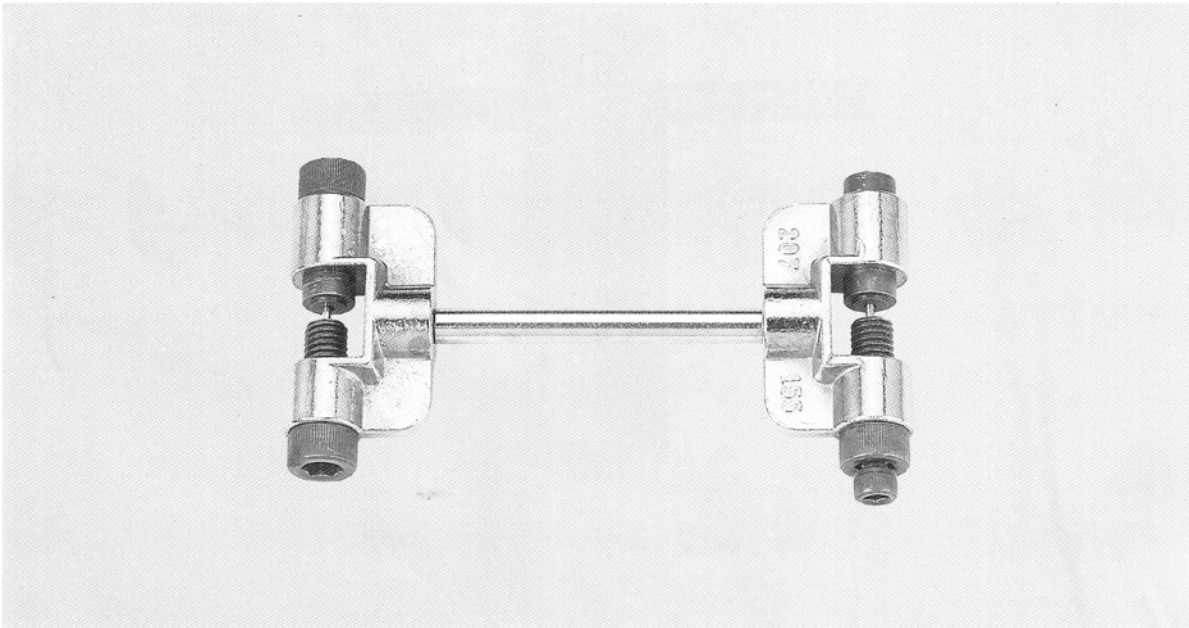


APPLICATION : USED FOR STARTER SPRING ASSEMBLY.(125CC ENGINE)

• 29 •

PARTS NO. : 440607

PARTS NAME : INNER CHAIN WRENCH

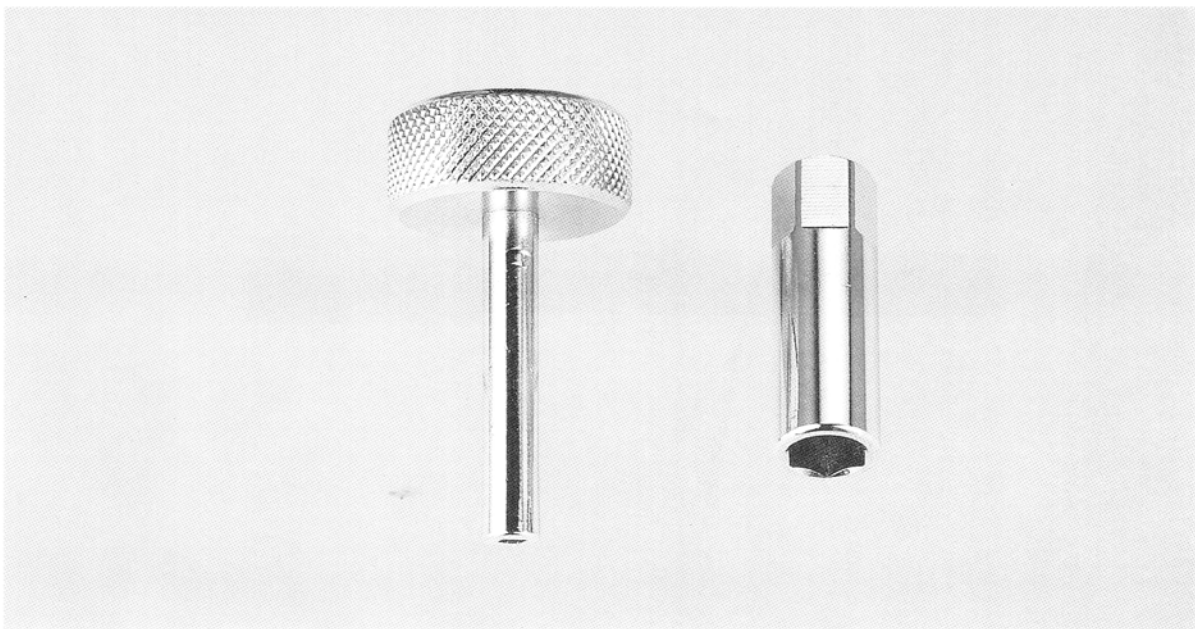


APPLICATION : FOR DISASSEMBLY THE CAMSHAFT INNER CHAIN.
(125CC ENGINE)

• 30 •

PARTS NO. : 440608

PARTS NAME : SOCKET OF VALVE ADJUSTING BOLT

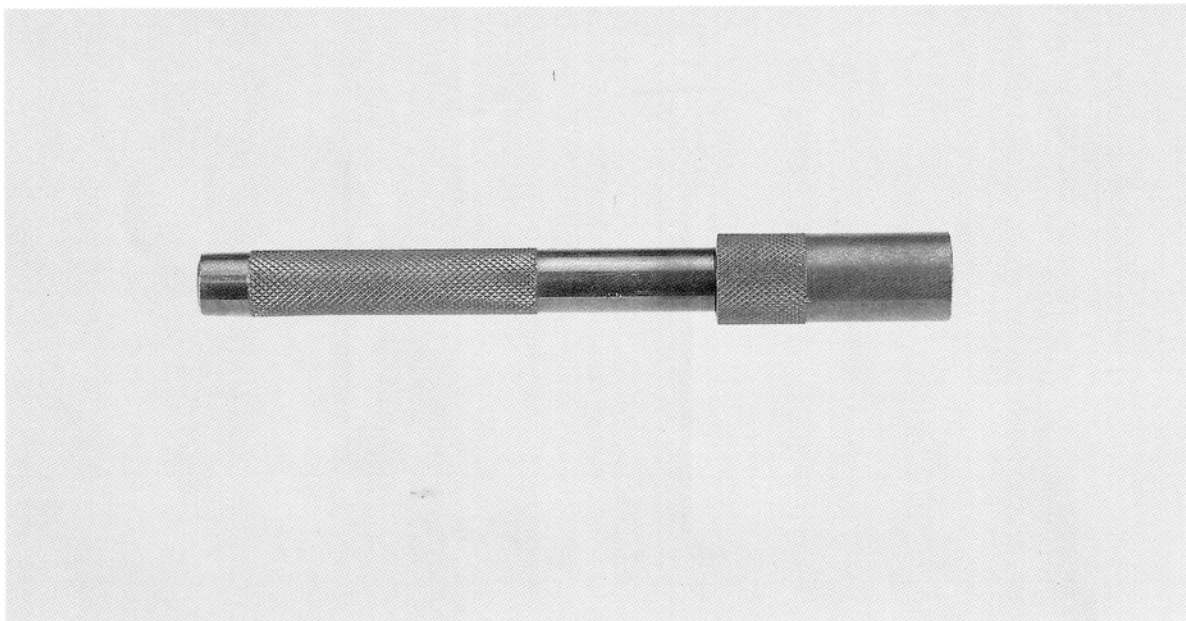


APPLICATION : ADJUST THE CLEARANCE OF VALVE STEM AND ROCK ARM.
(125CC ENGINE)

• 31 •

PARTS NO. : 440609

PARTS NAME : VALVE COTTER TOOL

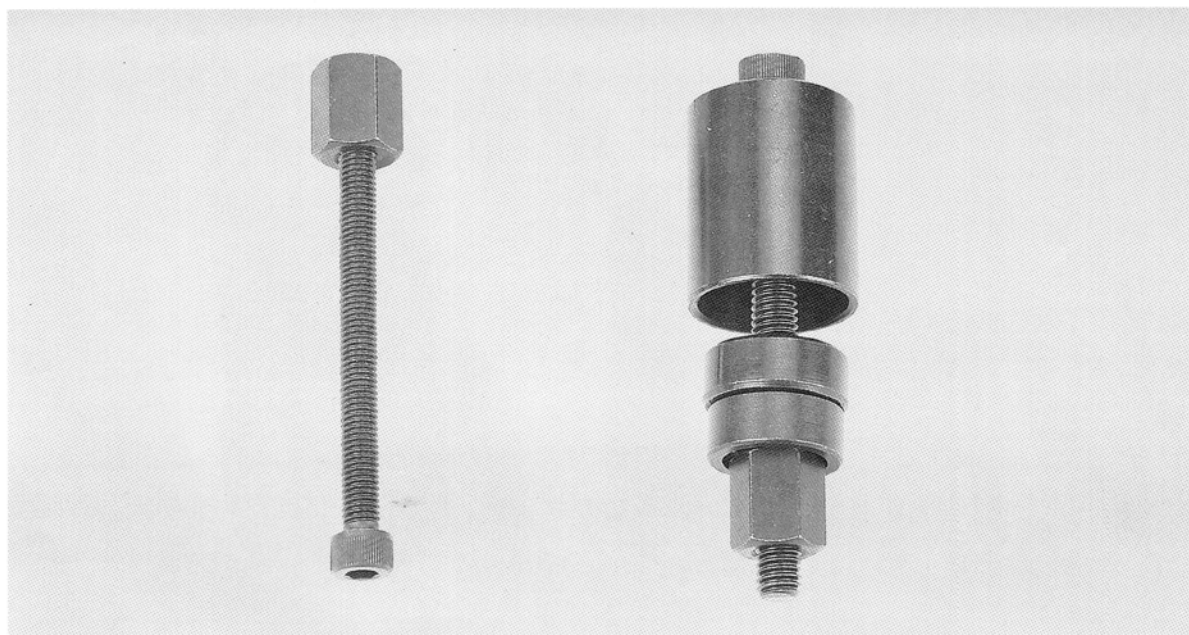


APPLICATION : FOR ASSEMBLING VALVE SEAL. (125CC ENGINE)

• 32 •

PARTS NO. : 440610

PARTS NAME : BUSH REMOVER

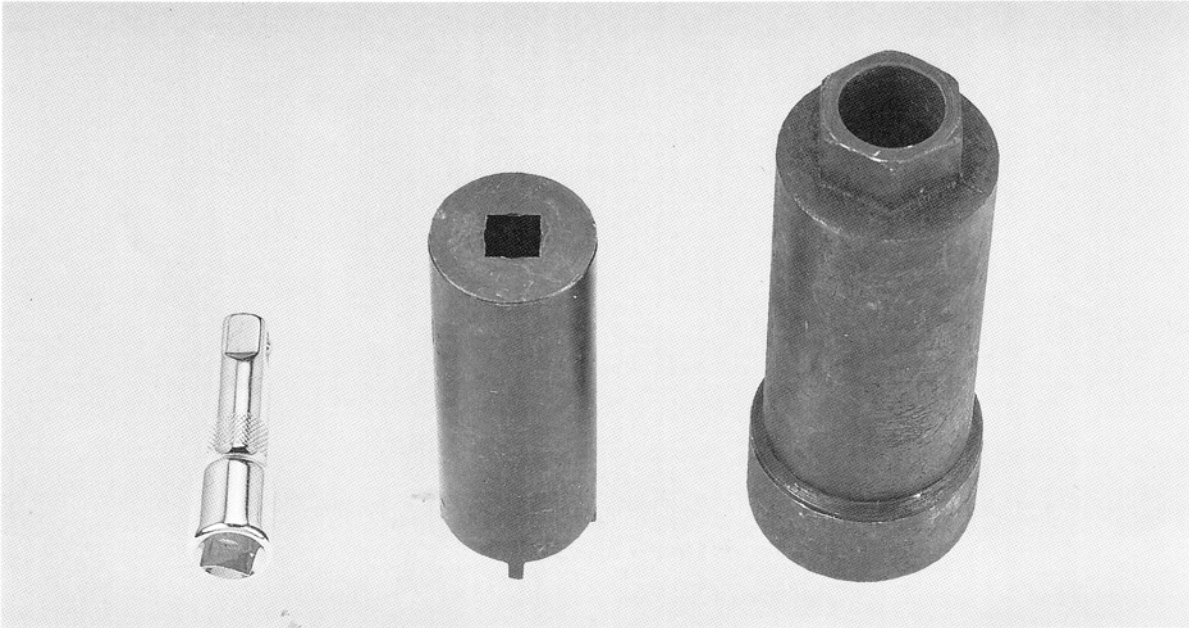


**APPLICATION : FOR REMOVING THE CRANK CASE SUSPENSINO.
(125CC ENGINE)**

• 33 •

PARTS NO. : 440611

PARTS NAME : FIX NUT SOCKET

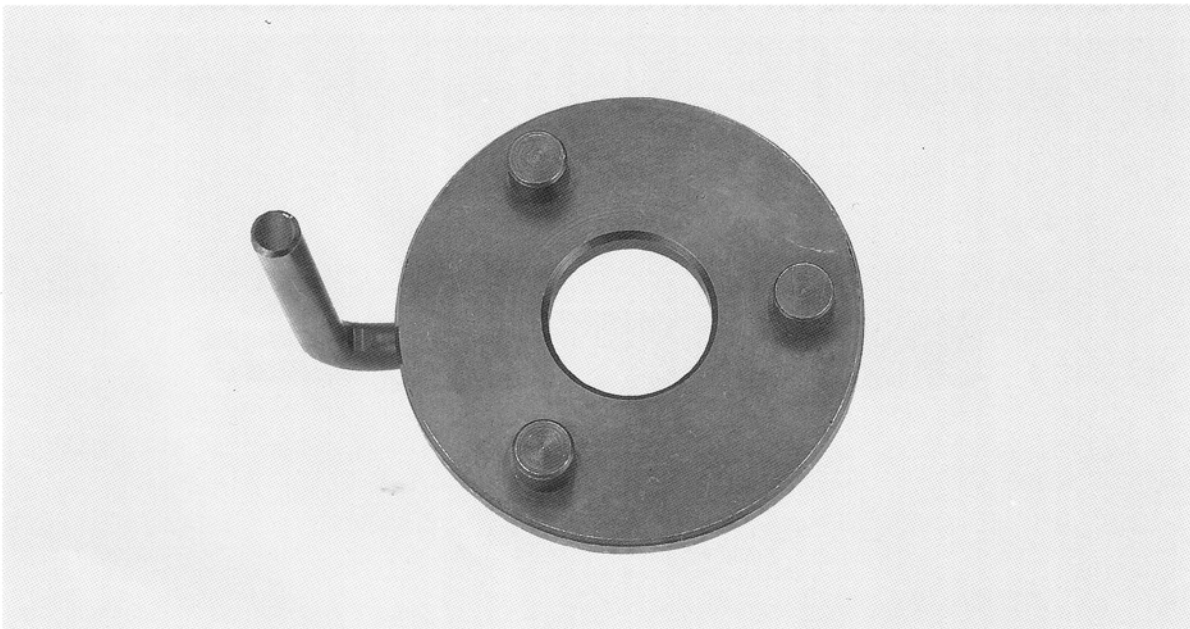


APPLICATION : USED FOR REMOVING STEERING SHAFT.

• 34 •

PARTS NO. : 440612

PARTS NAME : C.V.T.-F REMOVER

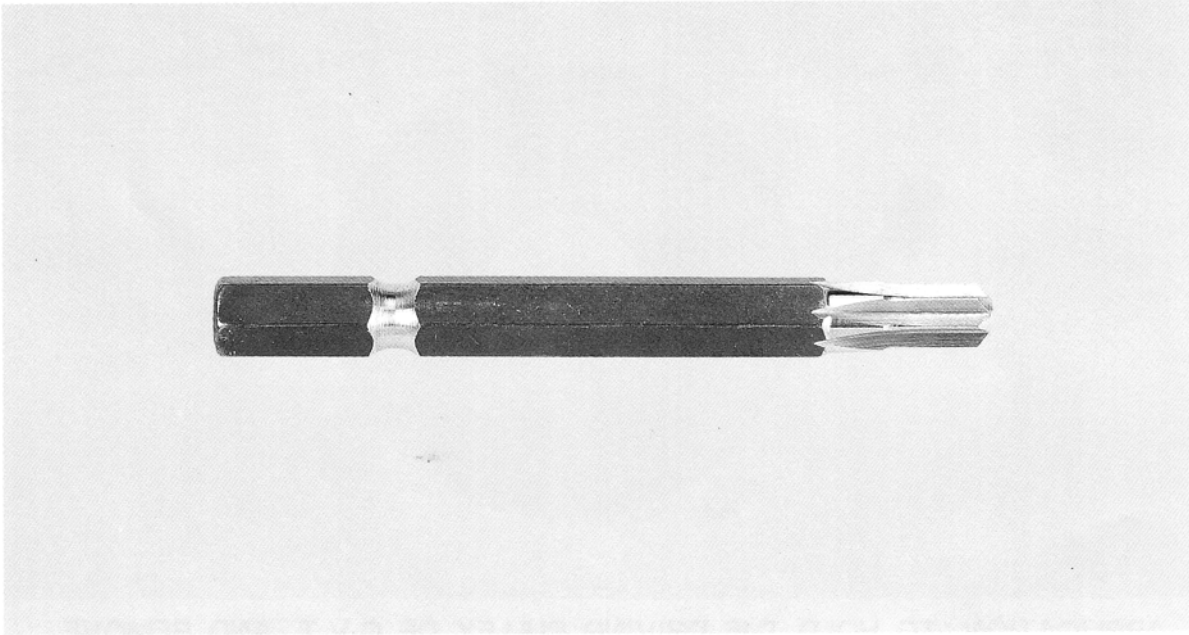


APPLICATION : TO HOLD THE DRIVING PULLEY OF C.V.T. AND REMOVE
RIGHT HAND KICK STARTER.(125CC ENGINE)

• 35 •

PARTS NO. : 440616

PARTS NAME : SPECIAL BIT FOR HETTAGON SOCKET HEAD BOLT

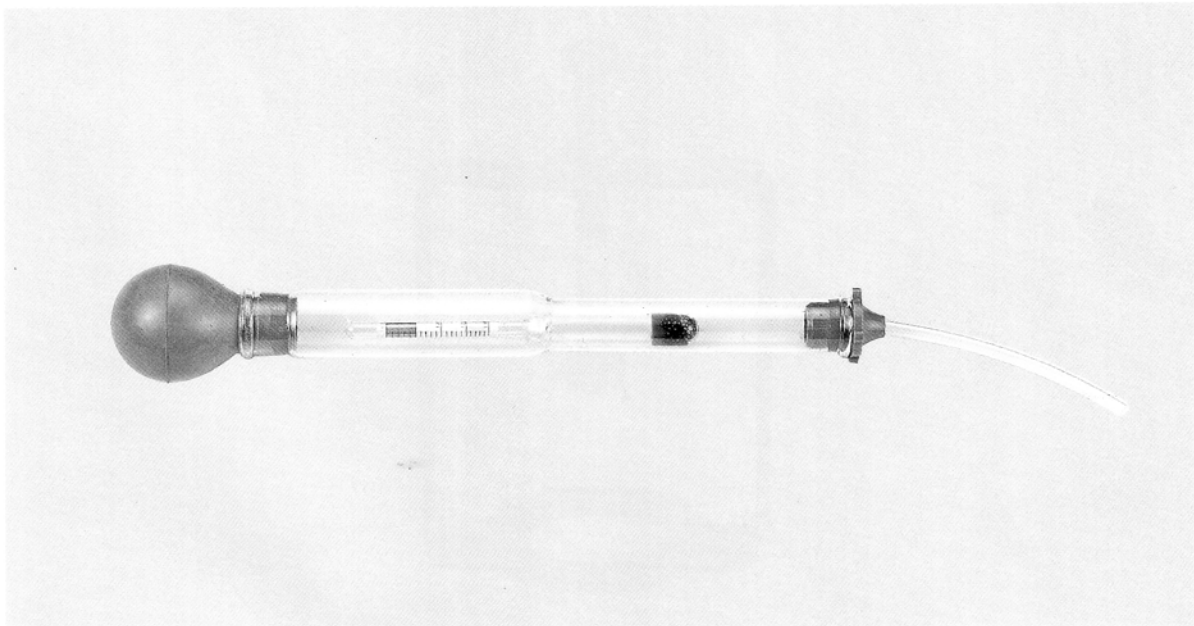


APPLICATION : TO REMOVE SPECIAL BOLT FIEXD MUFFLER AND CYLINDER.

• 36 •

PARTS NO. : 440617

PARTS NAME : BATTERY HYDROMETER

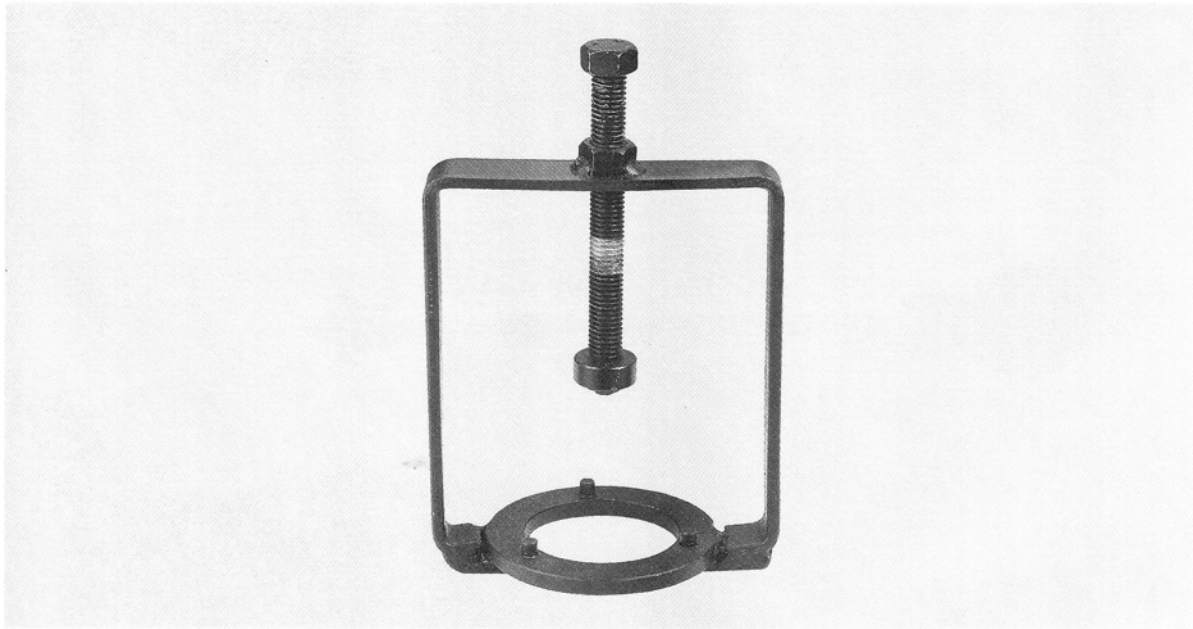


APPLICATION : TO TEST BATTERY GRAVITY.

• 37 •

PARTS NO. : 440618

PARTS NAME : REMOVE SPRING TOOL



APPLICATION : TO REMOVE SPRING FOR PULLEY COMP DRIVE.

• 38 •

TGB

TAIWAN GOLDEN BEE CO.,LTD.

NO.15 YOUN KONG 2 ND ROAD,
YOUN-AN INDUSTRIAL PARK,
KAOHSIUNG HSIEN, TAIWAN

TEL : 886-7-6222101~6

FAX : 886-7-6222110

E-mail : tgb@tgb.com.tw

[http : //www.tgb.com.tw](http://www.tgb.com.tw)