



**SPARE PARTS**  
**Model : CH1**

# CH1 TABLE OF COLORED PART FOR FRANCE (SIMA)

2008

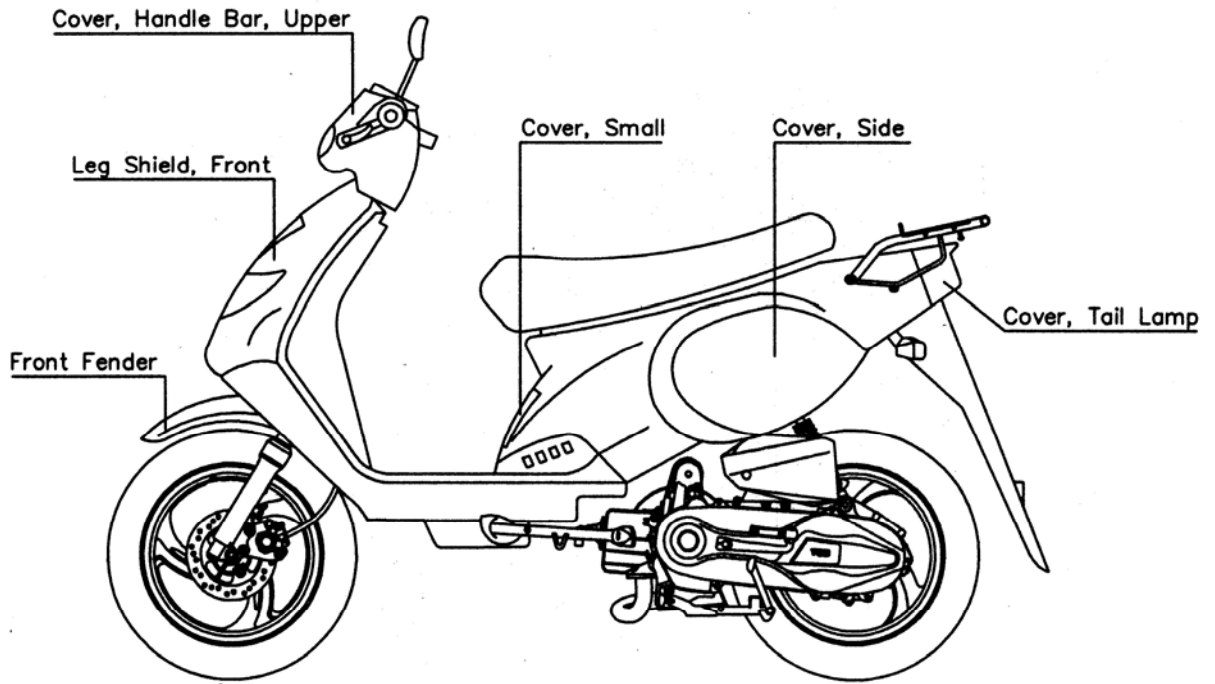


TABLE OF COLORED PART					
ITEM NO.	CODE	A	B	C	D
	Basic Color	Silver White	Pearly Black	Electroplate Blue	Mat Black
	Description	SW Sil 601	PA Bla 801	EU Blu 702	MB Bla 603
24	Cover , Side With Emblem	BH124PL01ASWLJ	BH124PL01APALJ	BH124PL01AEULJ	BH124PL01AMBLJ
	Cover , Side	BH124PL01ASW	BH124PL01APA	BH124PL01AEU	BH124PL01AMB
	Emblem, Side Cover, LH.(TGB)	459586	459586	459586	459586
	Emblem, Side Cover, RH.(TGB)	459587	459587	459587	459587
	Emblem, Side Cover, LH.	459536	459536	459536	459536
	Emblem, Side Cover, RH.	459537	459537	459537	459537
	“ CITY 4” Emblem	459583	459583	459583	459583
	Cover , Small	BH124PL04SW	BH124PL04PA	BH124PL04EU	BH124PL04MB
	Cover , Tail Lamp	BH124PL03SW	BH124PL03PA	BH124PL03EU	BH124PL03MB
25	Leg Shield , Front With Emblem	BH125PL01SWF1	BH125PL01PAF1	BH125PL01EUF1	BH125PL01MBF1
	Leg Shield , Front	BH125PL01SW	BH125PL01PA	BH125PL01EU	BH125PL01MB
	“TGB” Emblem	459102	459102	459102	459102
28	Front Fender	BH128PL01SW	BH128PL01PA	BH128PL01EU	BH128PL01MB
31	Cover , Handle Bar , Upper	BH131PL01SW	BH131PL01PA	BH131PL01EU	BH131PL01MB

# SUMMARY

## 1. HOW TO READ PARTS LIST :

1.1 AT FIRST TO JUDGE IN WHICH GROUP YOUR PART BELONG TO, FIND OUT GROUP NUMBER IN THE CONTENTS, NO.1-NO.15 ARE ENGINE AND ELECTRIC PARTS. NO.16-NO.35 ARE FRAME PARTS.

TO INDICATE THE VERSION OF PARTS. THE ENGINE PARTS SHALL REFER TO THE ENGINE NO. AND THE FRAME AND ELECTRIC PARTS SHALL REFER TO THE FRAME NO.

1.2 ACCORDING TO GROUP NUMBER FIND OUT THE DRAWING ON THAT UPPER SIDE PAGE.

1.3 FROM THE ITEM OF THE PART ON THE DRAWING, FIND THE PART NO., DESCRIPTION,REQUIRED QUANTITY.

1.4 USE THIS PART NO. DESCRIPTION AND QUANTITY TO ORDER.

## 2. COLOR CODE AND EMBLEM CODE:

2.1 COLOR CODE ATTACH TO PART NO. MUST BE TWO ALPHABETS, USE AT DIFFERENT COLOR PART ONLY.

2.2 EMBLEM CODE ATTACH TO COLOR CODE, MUST BE ONE ALPHABET AND ONE ARABIC NUMBER OR TWO ALPHABET, USE AT DIFFERENT COLOR EMBLEM ONLY. ANY EMBLEM WITHOUT DIFFERENT COLOR DON'T NECESSARY EMBLEM CODE.

2.3 WHEN YOU ORDER PARTS THAT HAVE DIFFERENT COLOR,PLEASE PICK UP THE RIGHT PART OR EMBLEM FROM " TABLE OF COLORED PARTS " (PAGE I ).

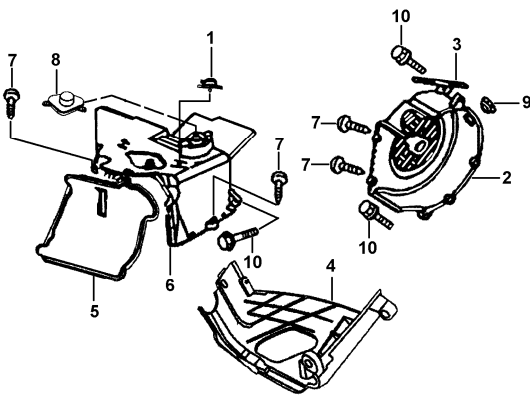
3. AMEND. CODE : INDICATES THE LAST 6 NUMBERS OF FRAME NUMBER TO DISTINGUISH THE SCOOTER BEEN MODIFIED. EXAMPLE :

" ← 518034 " MEANS SCOOTERS BEFORE " □□□□□□□□□□518034 " .

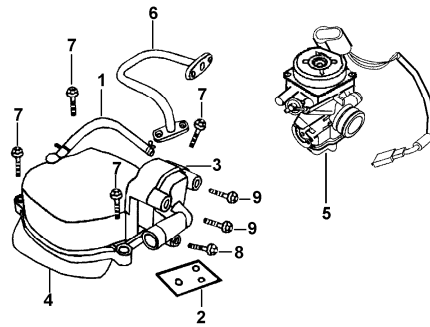
" 518035 → " MEANS SCOOTERS AFTER " □□□□□□□□□□518035 " .

4. IF ANY MODIFICATION AFTER PUBLISHING,WE'LL SEND YOU THE AMENDMENT, PLEASE CORRECT YOUR PARTS LIST RIGHT AWAY.

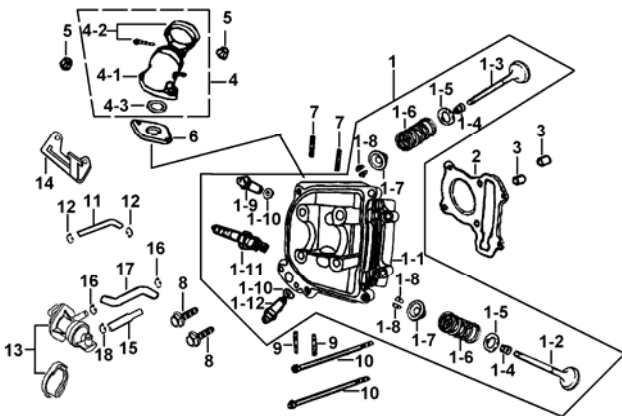
**1. FAN COVER, ENGINE SHROUD**



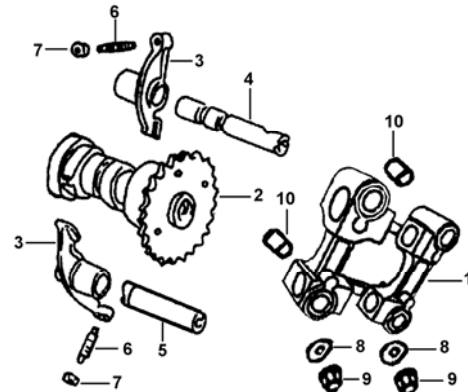
**2. CYLINDER HEAD COVER, CARBURETOR**



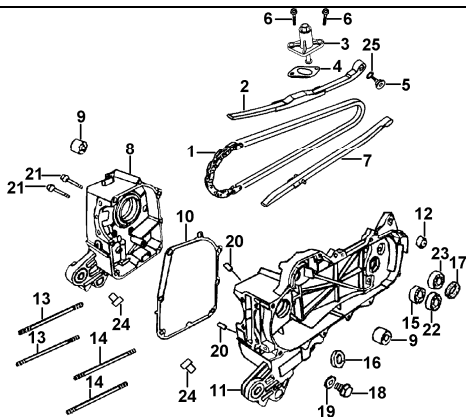
**3. CYLINDER HEAD, HOLD**



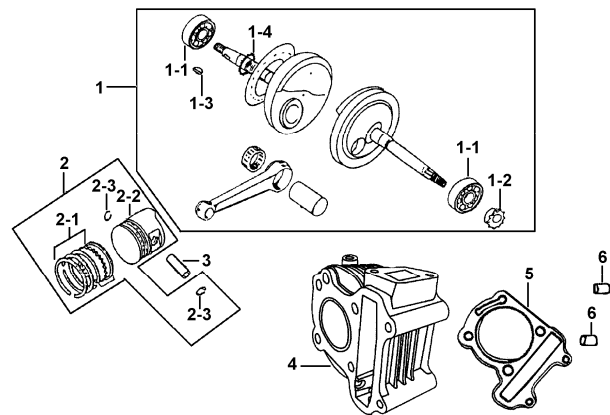
**4. CAM SHAFT, VALVE**



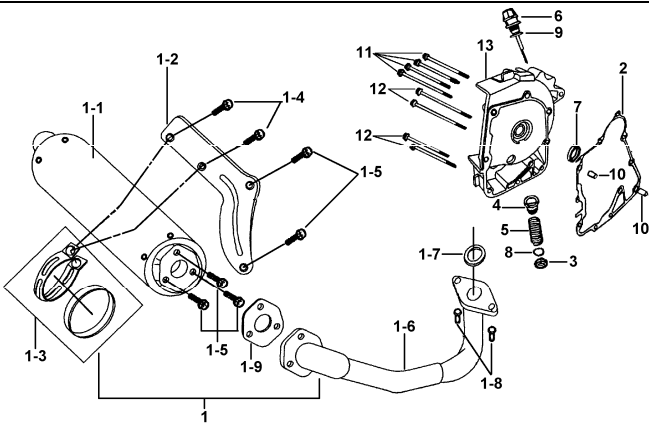
**5. CAM CHAIN, TENSIONER, CRANK CASE**



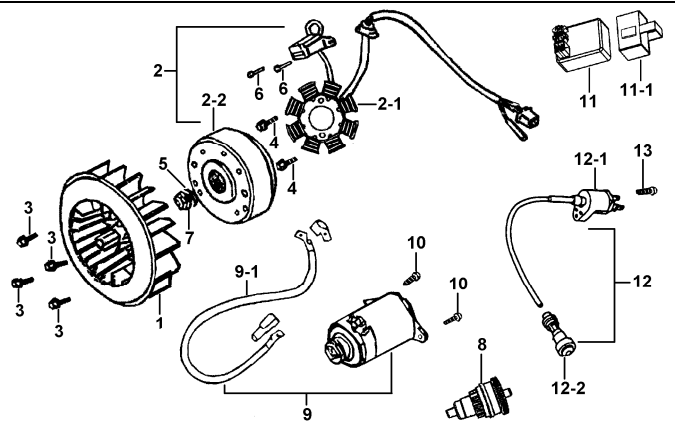
**6. CYLINDER, PISTON, CRANK SHAFT**



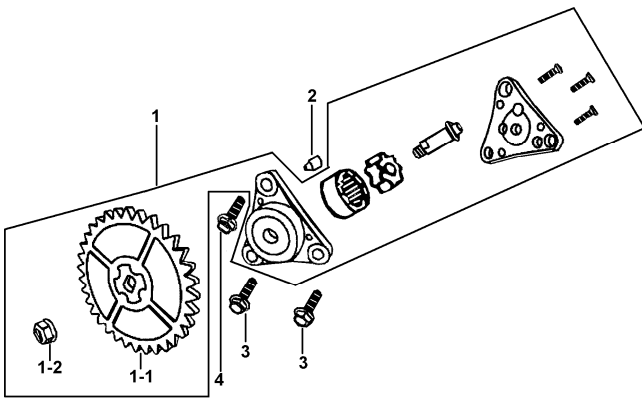
**7. MUFFLER, RIGHT CRANK CASE COVER**



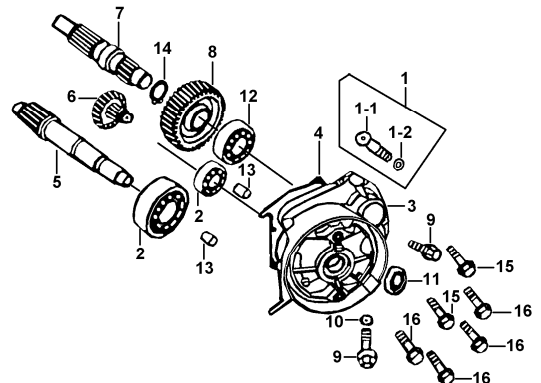
**8. GENERATOR, FLY WHEEL, STARTER MOTOR**



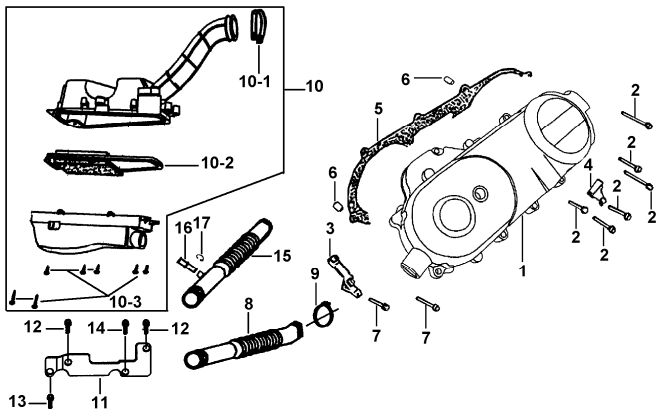
**9. OIL PUMP**



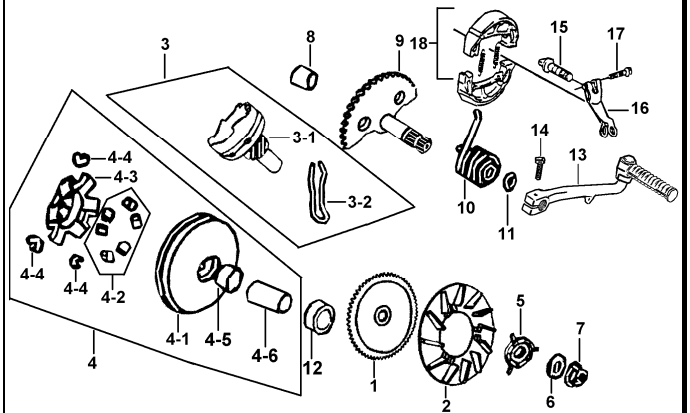
**10. TRANSMISSION**



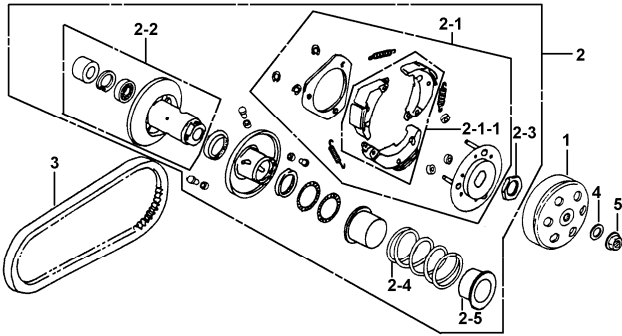
**11. LEFT CRANK CASE COVER, AIR CLEANER**



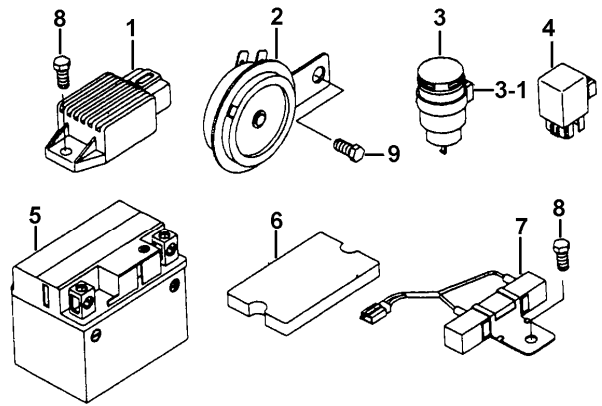
**12. DRIVE FACE, KICK STARTER SPINDLE**



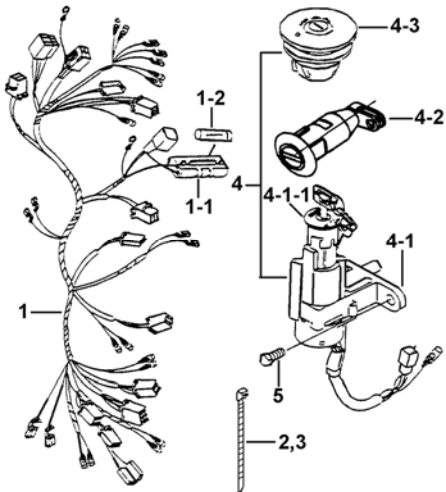
**13. DRIVEN PULLEY**



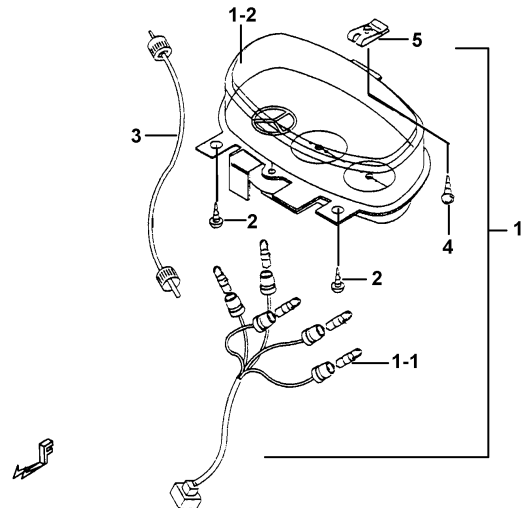
**14. BATTERY, HORN, RELAY, RECTIFIER**



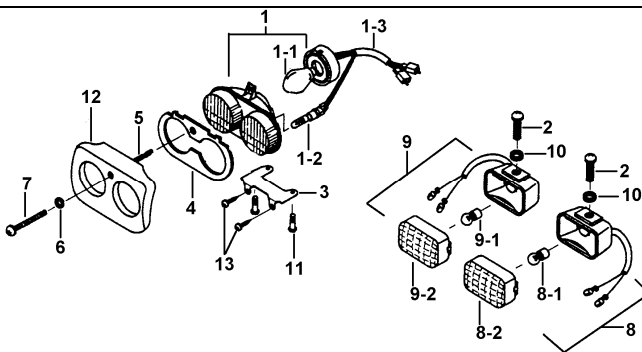
**15. WIRING HARNESS AND LOCK SET**



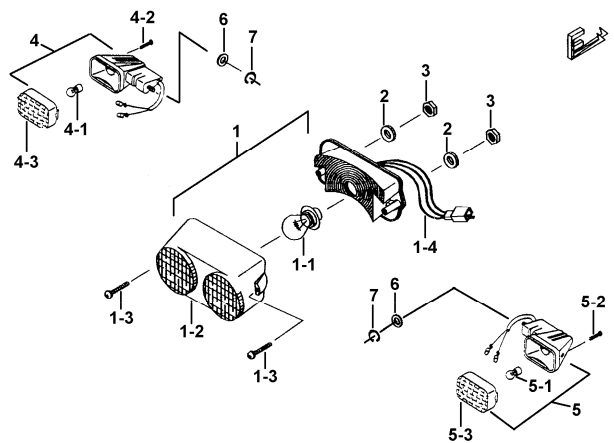
**16. SPEEDOMETER**



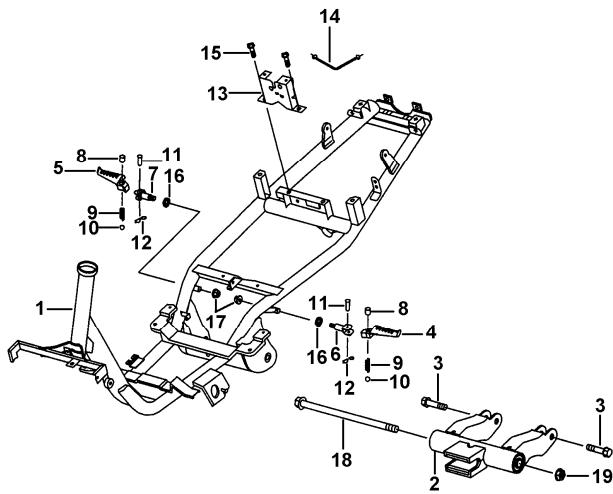
**17. HEAD LAMP AND FRONT TURN SIGNAL LAMP**



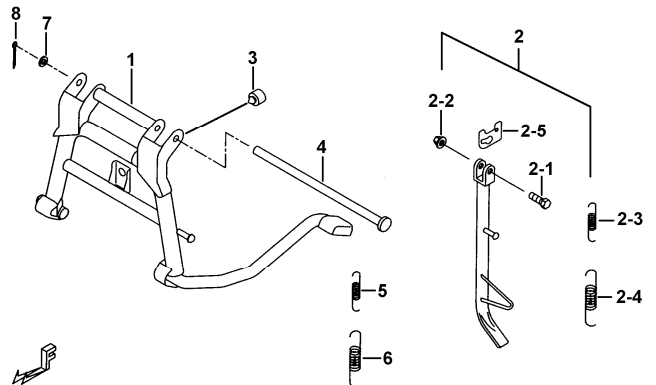
**18. REAR LAMP CLUSTER**



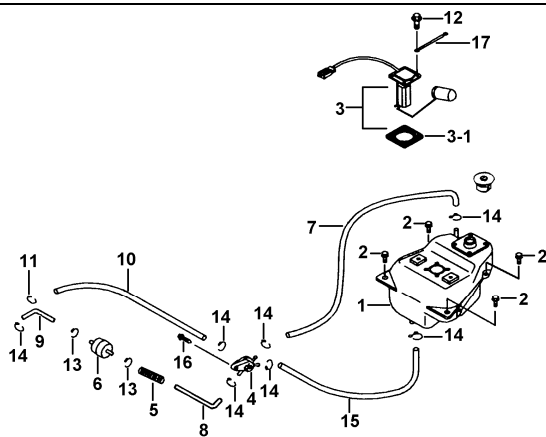
19 . FRAME



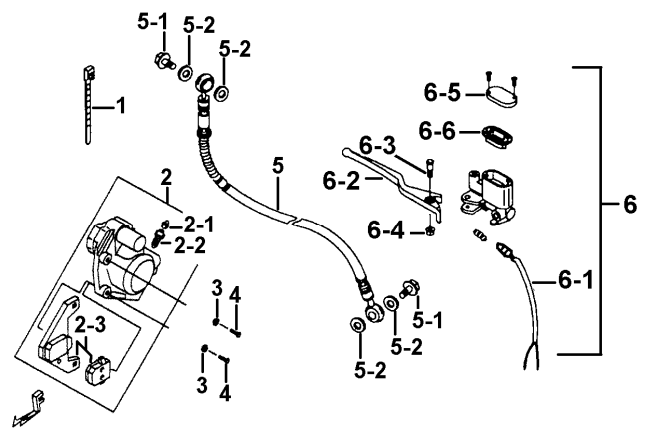
20 . STAND



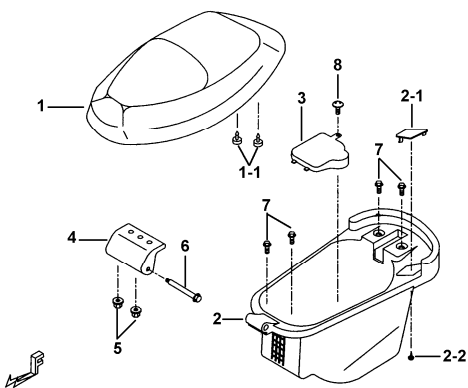
21 .FUEL TANK



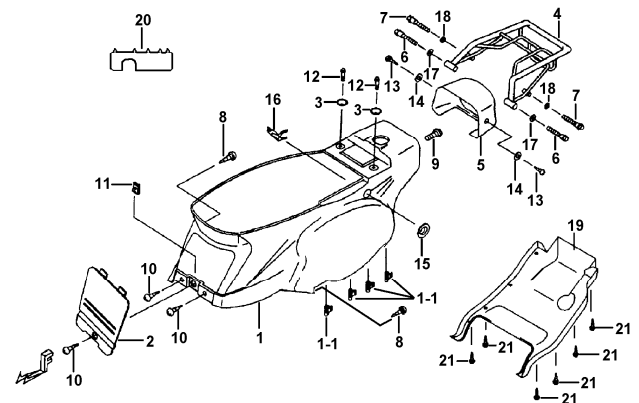
22 . CALIPER, MASTER CYLINDER



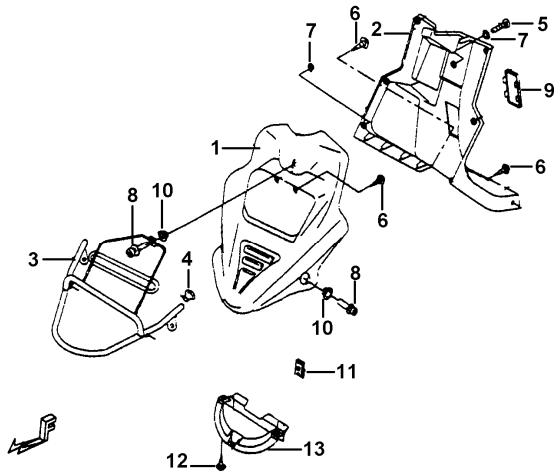
23 . SEAT



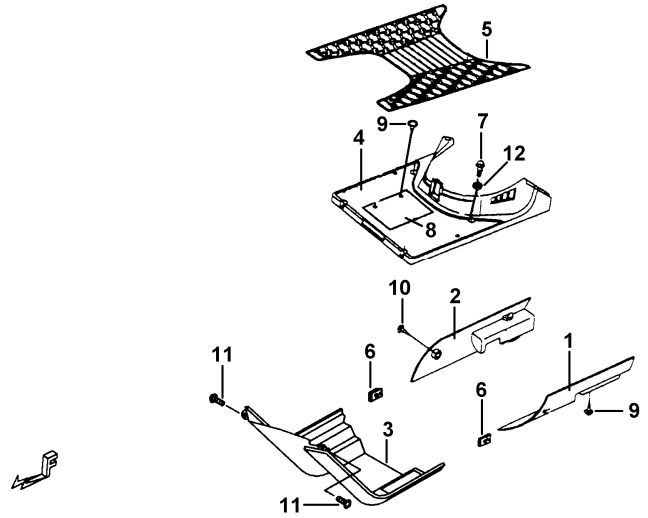
24 . FRAME COVER



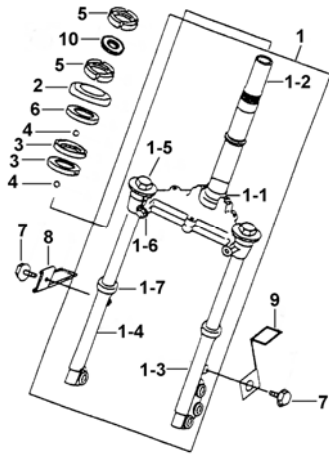
**25 . FRONT LEG SHIELD**



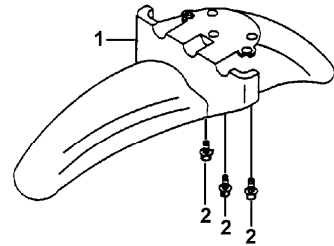
**26 . REAR LEG SHIELD**



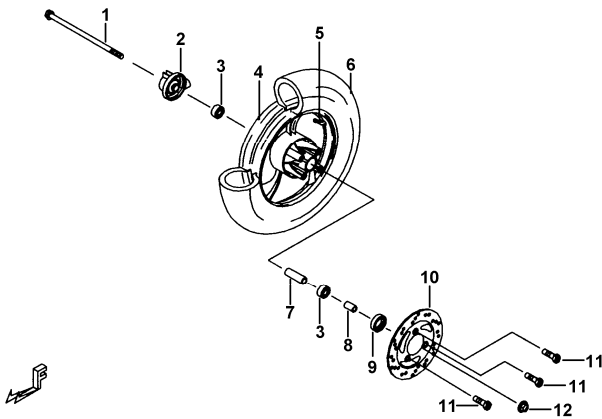
**27 . FRONT FORK**



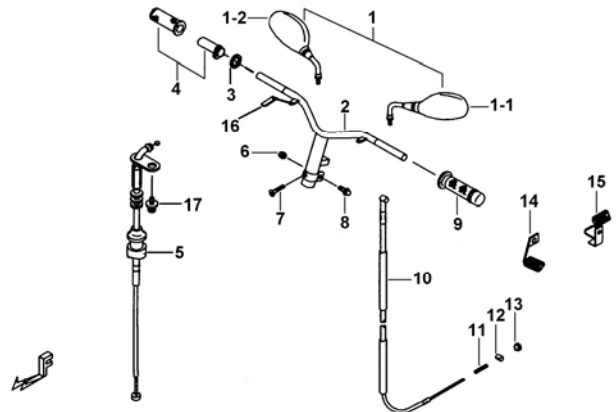
**28 . FRONT FENDER**



**29 . FRONT WHEEL**

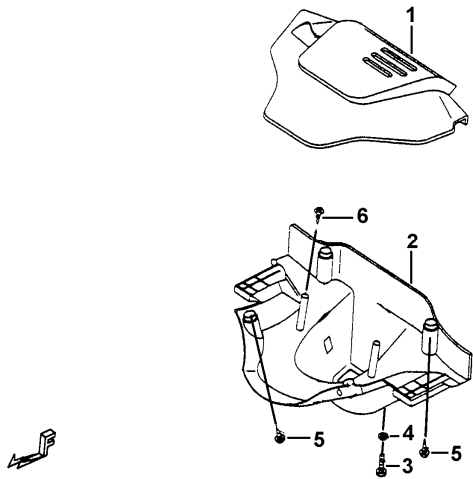


**30 . HANDLE BAR**

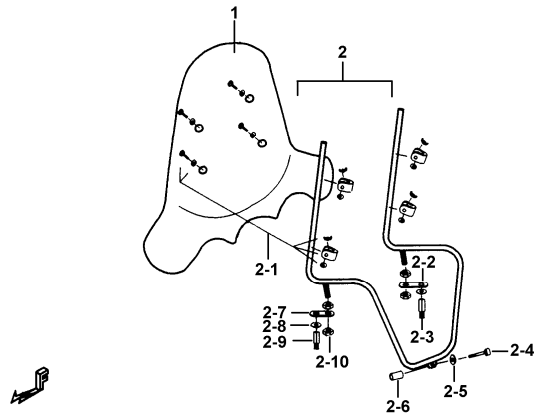




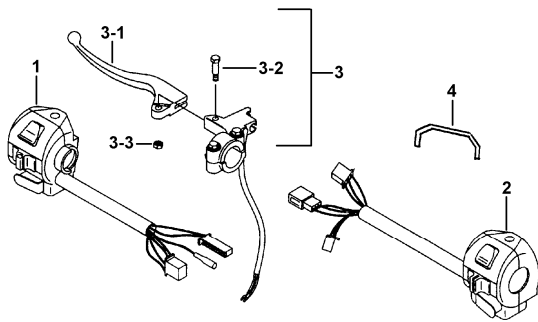
**31 . HANDLE BAR COVER**



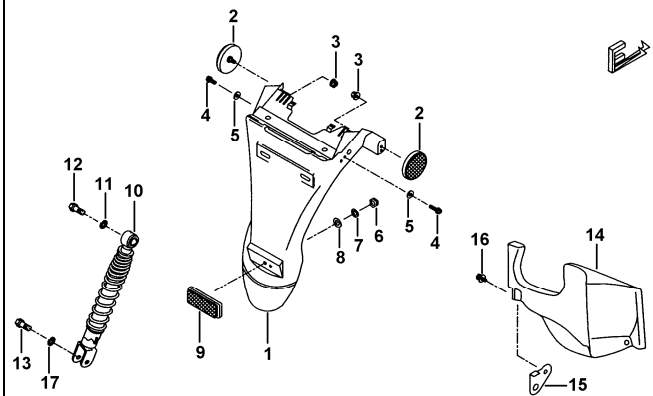
**3101. WIND-SHIELD(OPTION)**



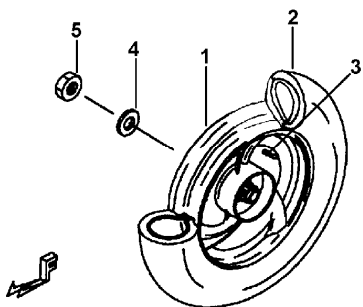
**3 2 . HANDLE BAR SWITCH**



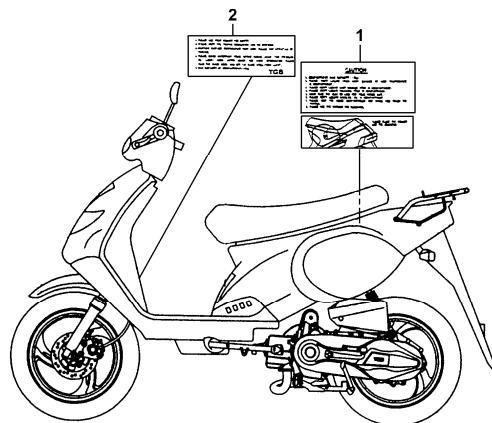
**3 3 . REAR FENDER**



**3 4 . RAER WHEEL**



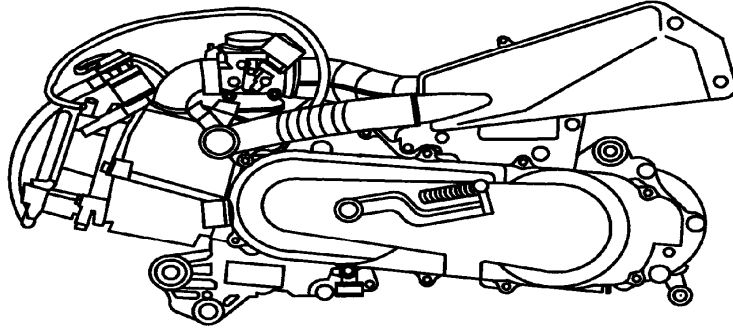
**35 . LABELS**



0

ENGINE ASSY.

CH1

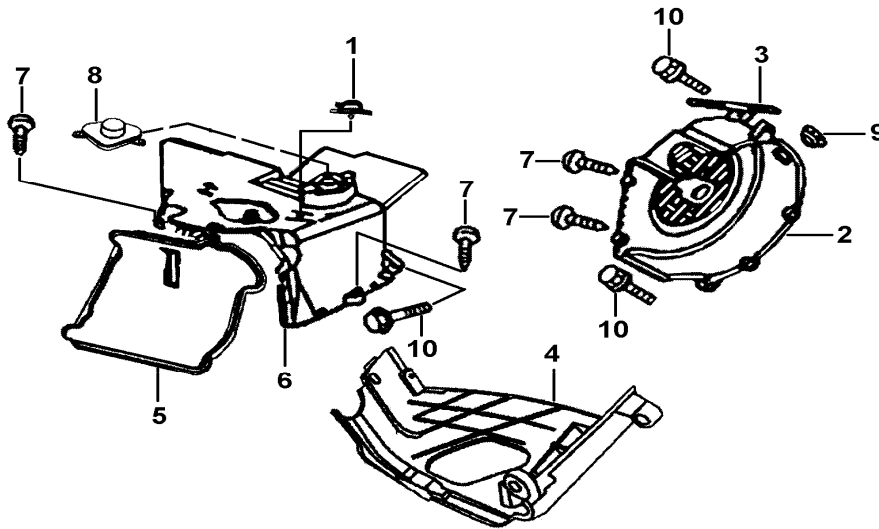


ITEM NO	PART NO	DESCRIPTION	Q'TY	AMEND	NOTE
01	SD1500100	ENGINE ASSY. (4T)	1		

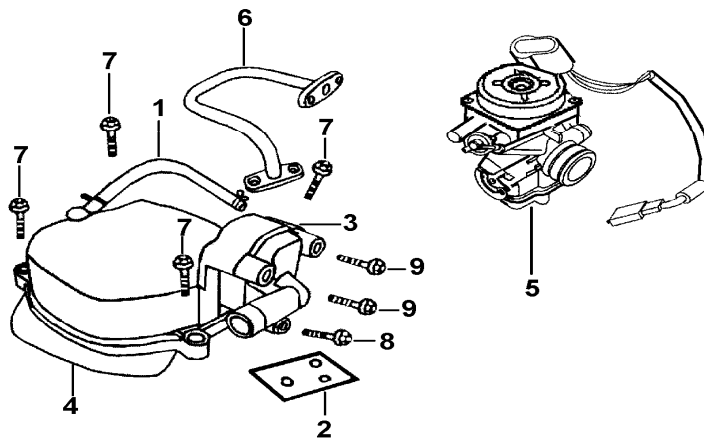
1

## FAN COVER, ENGINE SHROUD

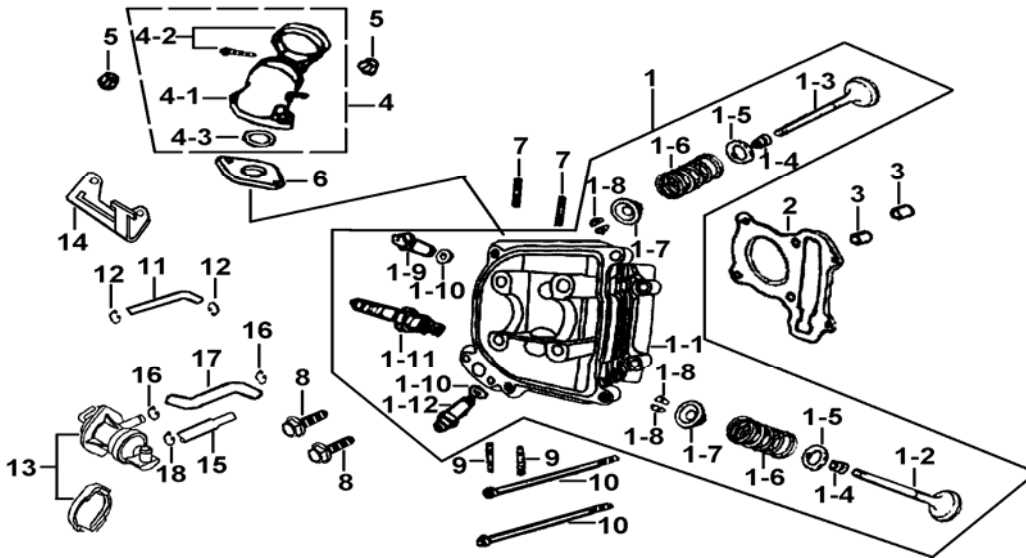
CH1



ITEM NO	PART NO	DESCRIPTION	Q'TY	AMEND	NOTE
01	551018	BREATHER TUBE CLAMPER	1		
02	551019	FAN COVER COMP	1		
03	551020	STARTER MOTOR CORD CLAMPER	1		
04	551021	SHROUD A COMP	1		
05	551022	SHROUD AB SEAL	1		
06	551023	SHROUD B COMP	1		
07	551028	SH. FLANGE BOLT 6X25	4		
08	551025	SHROUD B GROMMET	1		
09	551026	SIDE PANEL GROMMET B	1		
10	551027	TAPPING SCREW 5X16	3		

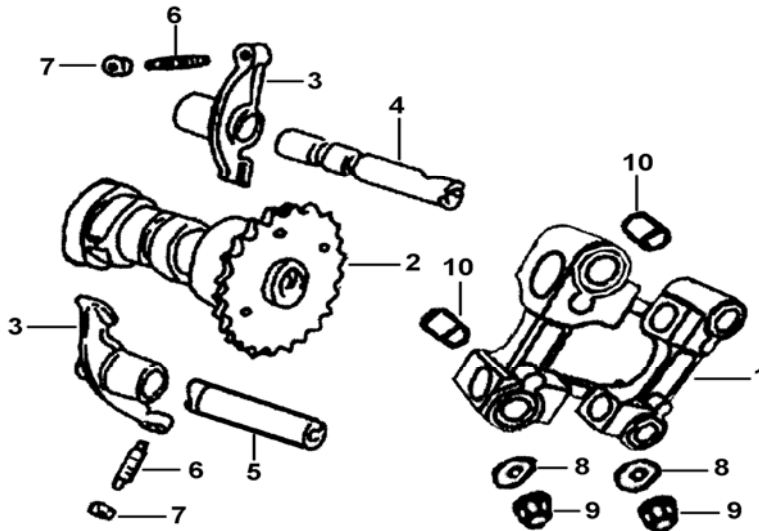


ITEM NO	PART NO	DESCRIPTION	Q'TY	AMEND	NOTE
01	551097Y	BREATHER TUBE ASSY	1		
02	551031	BREATHER COVER	1		
03	551032	HEAD COVER COMP	1		
04	551033	HEAD COVER GASKET	1		
05	551003Y	CARBURETOR ASSY.	1		
06	551034	AI PIPE	1		
07	551035	SH.FLANGE BOLT M6X25	4		
08	551036	SH.FLANGE BOLT M6X22	1		
09	551037	SH. FLANGE BOLT 6X40	2		

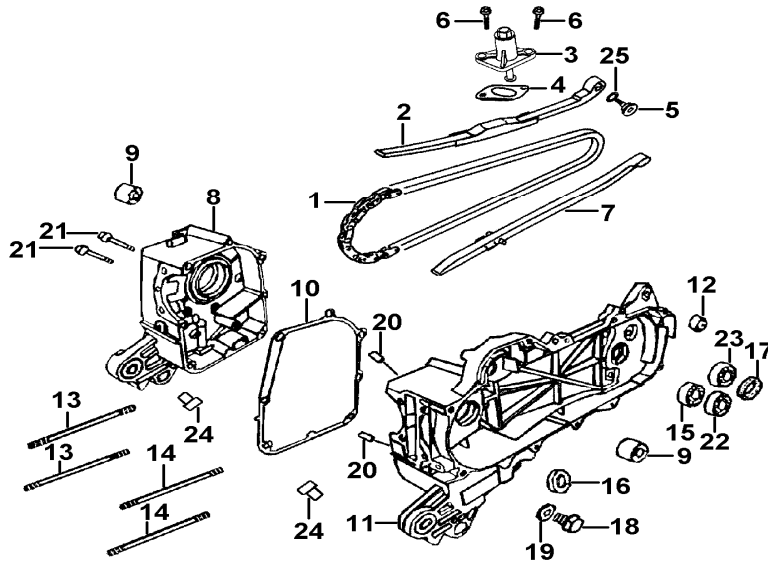


ITEM NO	PART NO	DESCRIPTION	Q'TY	AMEND	NOTE
01	551040	CYLINDER HEAD ASSY	1		
01-1	551038	CYLINDER HEAD COMP	1		
01-10	551057	O-RING 9X1.6	2		
01-11	551058	SPARK PLUG (CR7HSA)	1		
01-12	551042	EX. VALVE GUIDE	1		
01-2	551044	IN. VALVE	1		
01-3	551045	EX. VALVE	1		
01-4	551039	VALVE STEM SEAL	2		
01-5	551048	VALVE SPRING SEAT OUTER	2		
01-6	551046	VALVE OUTER SPRING	2		
01-7	551047	VALVE SPRING RETAINER	2		
01-8	551049	VALVE COTTER	4		
01-9	551041	IN. VALVE GUIDE	1		
02	551043	CYLINDER HEAD GASKET	1		
03	551061	DOWEL PIN8X14	2		
04	551052	IN. PIPE ASSY	1		
04-1	551051	IN. PIPE COMP	1		
04-2	551053	INSULATOR BAND	1		
04-3	551056	O-RING 21.5X2	1		
05	551059	FLANGE NUT 6MM	2		
06	551050	CARBURETOR INSULATOR	1		
07	551055	STUD BOLT 6X50	2		
08	551062	STUD BOLT 6X32	2		
09	551054	STUD BOLT 6X32	2		
10	551060	SH. FLANGE BOLT 6X85	2		
11	551012	HOSE, NEGATIVE PRESSURE	1		
12	R40801	CLIP	2		
13	400450	AICV ASSY.	1		
14	551013	BRACKET	1		

15	400453	HOSE	1
16	426081	CLIP	2
17	551014	HOSE	1
18	R40701	CLIP	1

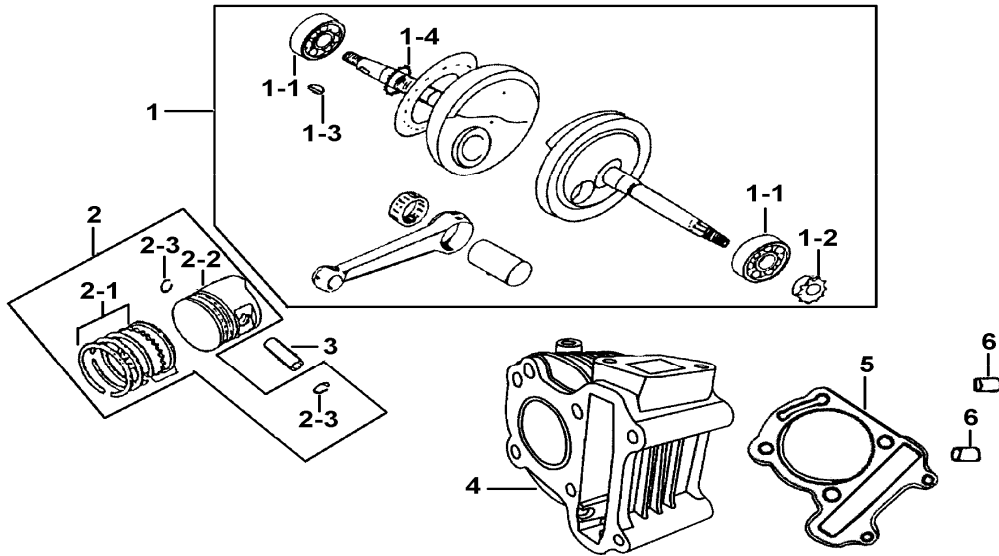


ITEM NO	PART NO	DESCRIPTION	Q'TY	AMEND	NOTE
01	551063	CAM SHAFT HOLDER	1		
02	551064	CAM SHAFT COMP	1		
03	551065	VALVE ROCKER ARM	2		
04	551066	IN. ROCKER ARM SHAFT COMP	1		
05	551067	EX. ROCKER ARM SHAFT COMP	1		
06	551068	TAPPET ADJUSTING SCREW	2		
07	551069	TAPPET ADJUSTING NUT	2		
08	551070	WASHER A	4		
09	551071	FLANGE NUT 7MM	4		
10	551072	DOWEL PIN 8X14	2		

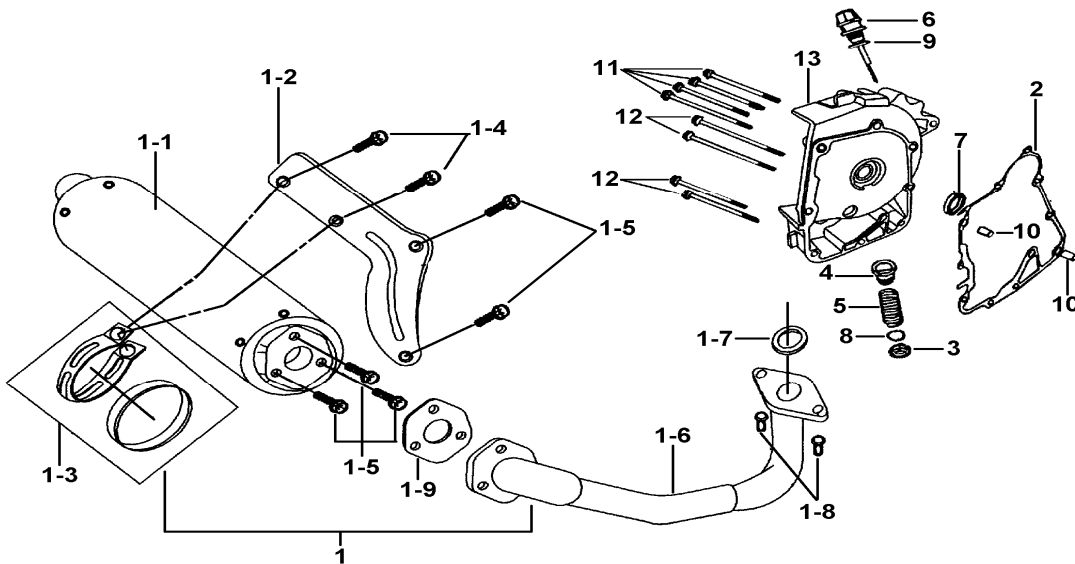


ITEM NO	PART NO	DESCRIPTION	Q'TY	AMEND	NOTE
01	551073	CAM CHAIN	1		
02	551074	CAM CHAIN TENSIONER	1		
03	551075	TENSIONER LIFTER ASSY	1		
04	551076	TENSIONER LIFTER GASKET	1		
05	551078	TENSIONER PIVOT	1		
06	551080	SH. FLANGE BOLT 6X18	2		
07	551079	CAM CHAIN GUIDE COMP	1		
08	551195	R. CRANK CASE	1		
09	551196	ENGINE HANGER RUBBER BUSH	2		
10	551197	CRANK CASE GASKET	1		
11	551198	L. CRANK CASE COMP	1		
12	551199	RR. CUSHION UNDER RUBBER BUSH	1		
13	551200	CYLINDER STUD BOLT A 7X167	2		
14	551201	CYLINDER STUD BOLT B 7X167	2		
15	551202	RADIAL BALL BEARING 6201	1		
16	551203	OIL SEAL 19.8X30X5	1		
17	551204	OIL SEAL 27X40X7	1		
18	551205	DRAIN PLUG BOLT 12MM	1		
19	551206	DRAIN PLUG WASHER	1		
20	551207	DOWEL PIN 8X14	2		
21	551208	SH. FLANGE BOLT 6X50	2		
22	551209	RADIAL BALL BEARING 6002	1		
23	551210	RADIAL BALL BEARING 6004 UU	1		
24	551245	BUSH, MAIN STAND	2		
25	551081	O-RING 15.5X1.5	1		

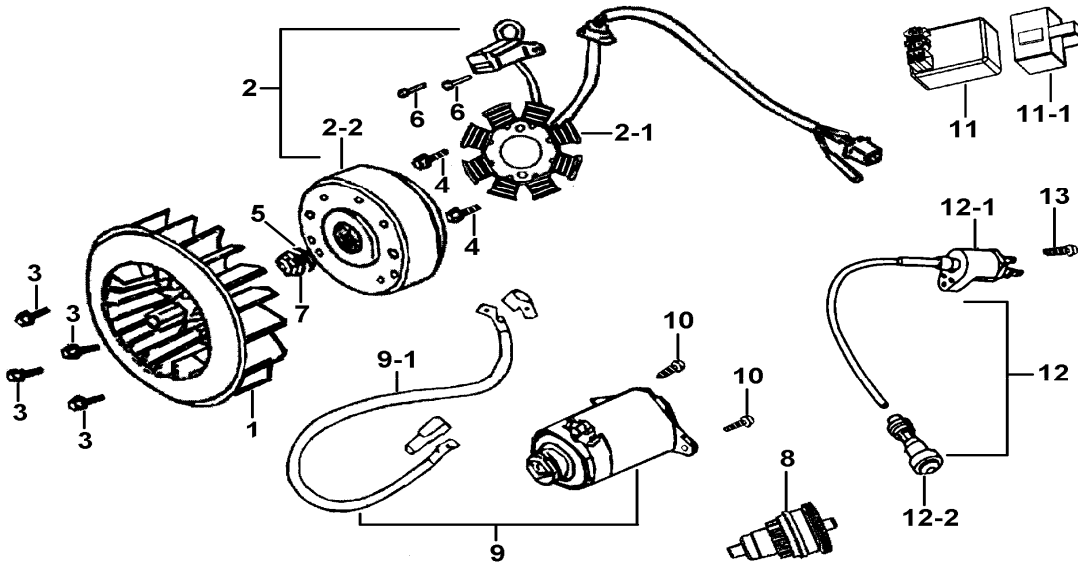




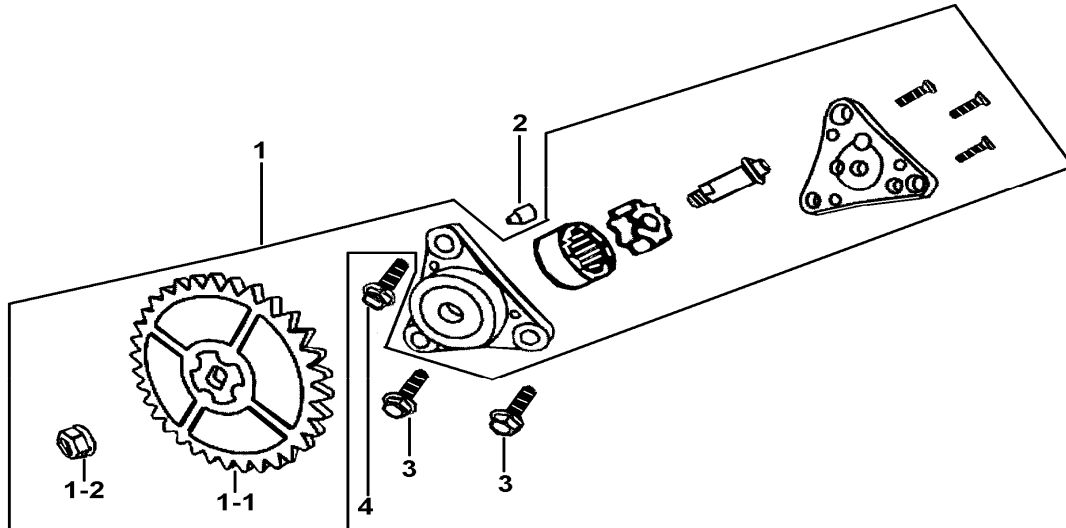
ITEM NO	PART NO	DESCRIPTION	Q'TY	AMEND	NOTE
01	551211	CRANK SHAFT COMP	1		
01-1	551228	RADIAL BALL BEARING 63/22	2		
01-2	551225	TIMING SPROCKET	1		
01-3	551227	WOODRUFF KEY 25X14X4	1		
01-4	551226	OIL PUMP DRIVE SPROCKET	1		
02	551213	PISTON ASSY	1		
02-1	551212	PISTON RING SET	1		
02-2	551214	PISTON	1		
02-3	551230	PISTON PIN CLIP 15	2		
03	551215	PISTON PIN	1		
04	551082	CYLINDER	1		
05	551083	CYLINDER GASKET	1		
06	551084	DOWEL PIN 8X14	2		



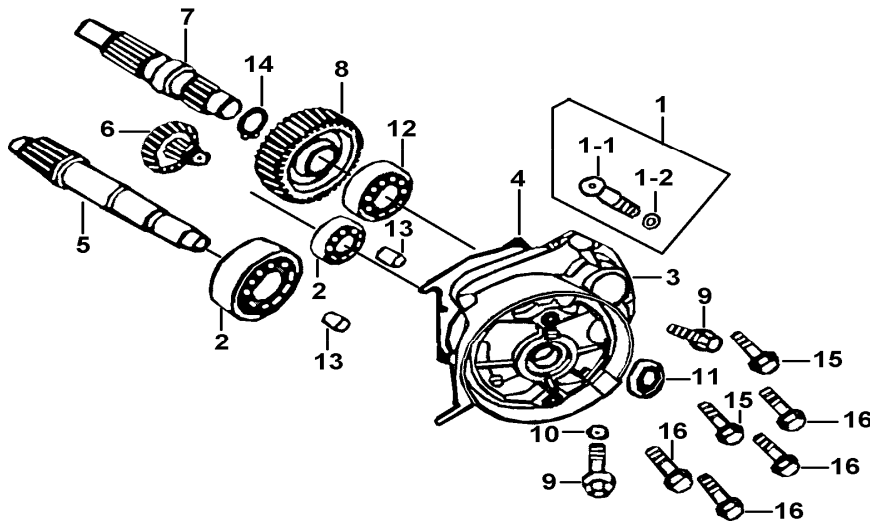
ITEM NO	PART NO	DESCRIPTION	Q'TY	AMEND	NOTE
01	551009Y	MUFFLER ASSY.	1		
01-1	551099Y	BODY, MUFFLER	1		
01-2	551121Y	BRACKET, MUFFLER	1		
01-3	551122Y	CLAMP	2		
01-4	S20804	BOLT, FLANGE	2		
01-5	S20814	BOLT, FLANGE	5		
01-6	551234Y	PIPE, MUFFLER	1		
01-7	551010	GASKET, EXHAUS PIPE	1		
01-8	N12602	NUT	2		
01-9	551235Y	GASKET, MUFFLER	1		
02	551086	R. CRANK CASE COVER GASKET	1		
03	551087	TAPPET ADJUST HOLE CAP	1		
04	551088	OIL FILTER SCREEN	1		
05	551089	OIL FILTER SCREEN SPRING	1		
06	551090	OIL LEVEL GAUGE ASSY	1		
07	551091	OIL SEAL 16.4X30X6	1		
08	551092	O-RING 30.8MMX3.2	1		
09	551093	O-RING 18X3	1		
10	551094	DOWEL PIN 8X14	2		
11	551095	SH. FLANGE BOLT 6X85	4		
12	551096	SH. FLANGE BOLT 6X100	4		
13	551085	R. CRANK CASE COVER	1		



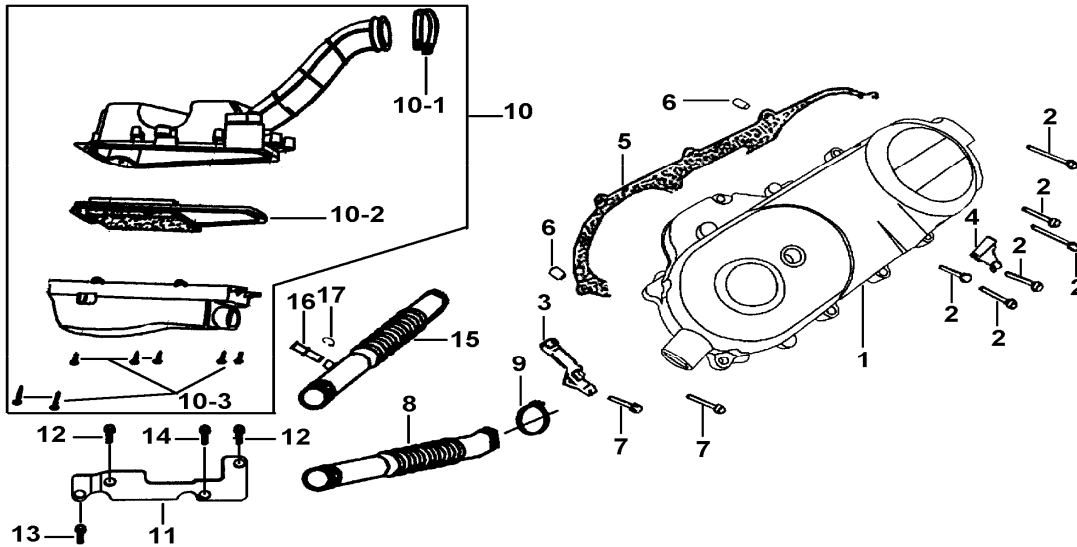
ITEM NO	PART NO	DESCRIPTION	Q'TY	AMEND	NOTE
01	551409	COOLING FAN COMP	1		
02	551400	A.C.G. ASSY.(CDI)	1		
02-1	551410	A. C. G. STATOR	1		
02-2	551411	A. C. G. FLYWHEEL	1		
03	551415	SH. FLANGE BOLT 6X18	4		
04	551416	SH. FLANGE BOLT 6X20	2		
05	551412	PLAIN WASHER 10.2X20X2.0	1		
06	551413	HEX. BOLT 5 X12	2		
07	551414	FLANGE NUT 12MM	1		
08	551118	START CLUTCH ASSY.	1		
09	551401	STARTER MOTOR ASSY.	1		
09-1	551418	STARTER MOTOR CABLE	1		
10	551421	SH. FLANGE BOLT 6X16	2		
11	551402	C.D.I. UNIT	1		
11-1	924452	BUSH, RUBBER	1		
12	400506	COIL ASSY., IGNITION	1		
12-1	400511	COIL SET, IGNITION	1		
12-2	400512	CAP SET, SPARK PLUG	1		
13	GA510SC10	SCREW, HEX. HEAD M5X20	1		



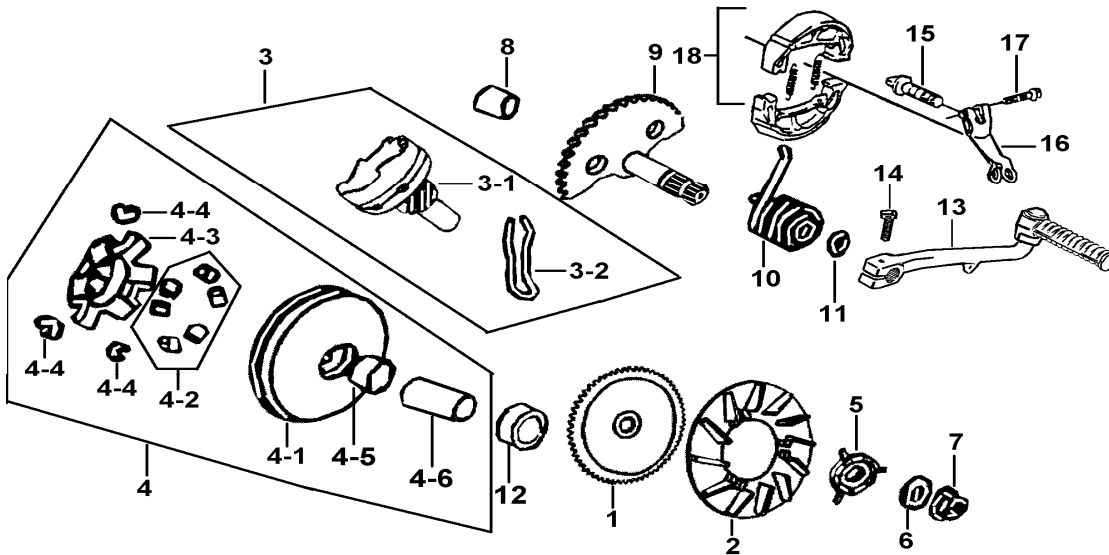
ITEM NO	PART NO	DESCRIPTION	Q'TY	AMEND	NOTE
01	551106	OIL PUMP ASSY	1		
01-1	551110	OIL PUMP DRIVEN GEAR	1		
01-2	551114	FLANGE NUT 6MM	1		
02	551115	DOWEL PIN 8X11	1		
03	551116	FLANGE BOLT SH. 6X22	2		
04	551117	SH. FLANGE BOLT 6X25	1		



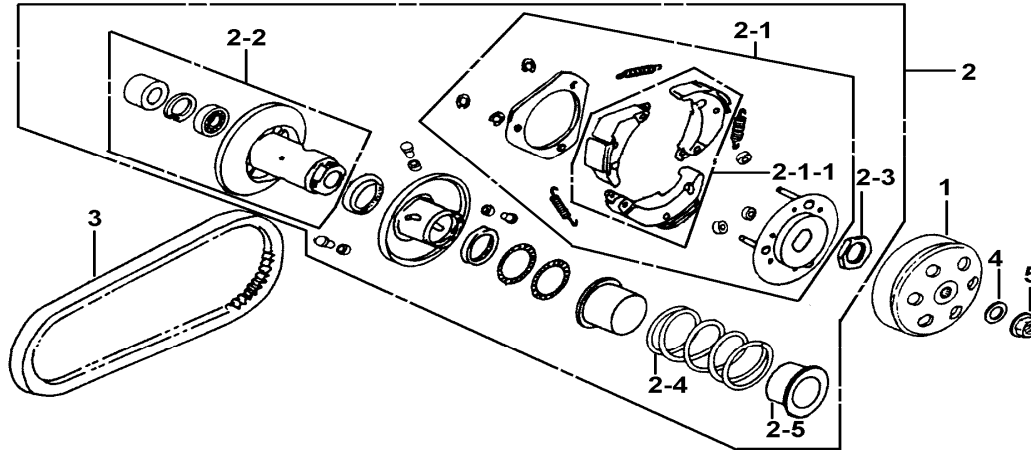
ITEM NO	PART NO	DESCRIPTION	Q'TY	AMEND	NOTE
01	551177	BRAKE SHOE ANCHOR PIN ASSY	1		
01-1	551178	BRAKE SHOE ANCHOR PIN	1		
01-2	551188	O-RING 7.5X1.5	1		
02	551194	RADIAL BALL BEARING 6201	2		
03	551179	MISSION COVER	1		
04	551180	MISSION COVER GASKET	1		
05	551181	DRIVE SHAFT	1		
06	551182	COUNTER SHAFT COMP	1		
07	551183	FINAL SHAFT	1		
08	551184	FINAL GEAR COMP	1		
09	551185	SPECIAL BOLT 8MM	2		
10	551186	WASHER 8MM	2		
11	551187	OIL SEAL 20X32X6	1		
12	551193	RADIAL BALL BEARING 6004	1		
13	551189	DOWEL PIN10X16	2		
14	551190	EX. CIR CLIP 20MM	1		
15	551191	SH. FLANGE BOLT 8X35	2		
16	551192	SH. FLANGE BOLT 8X40	5		



ITEM NO	PART NO	DESCRIPTION	Q'TY	AMEND	NOTE
01	551124	L. COVER ASSY	1		
02	551131	SH. FLANGE BOLT 6X35	8		
03	551126Y	THROTTLE CABLE CLAMPER	1		
04	551127Y	BRAKE CABLE CLAMPER	1		
05	551128	L COVER GASKET	1		
06	551129	DOWEL PIN 8X14	2		
07	551130	SH. FLANGE BOLT 6X40	2		
08	GA904PL09	DUCT, COOLING	1		
09	422037	CLIP $\phi$ 32	1		
10	551098Y	CLEANER ASSY., AIR	1		
10-1	551123Y	CLIP	1		
10-2	551231Y	FILTER	1		
10-3	S57501	SCREW, OVAL HEAD, FLANGE M5X14	7		
11	551006Y	AIR CLEANER TUBE STAY	1		
12	S24605	BOLT, FLANGE	2		
13	S20807	BOLT, OUTLET M8X1.25X12L	1		
14	S20603	BOLT, FLANGE M6X12	1		
15	551233	DUCT, COOLING ASSY.	1		
16	924733	TWO THROUGH -HOLE	1		
17	551232	CLIP	1		

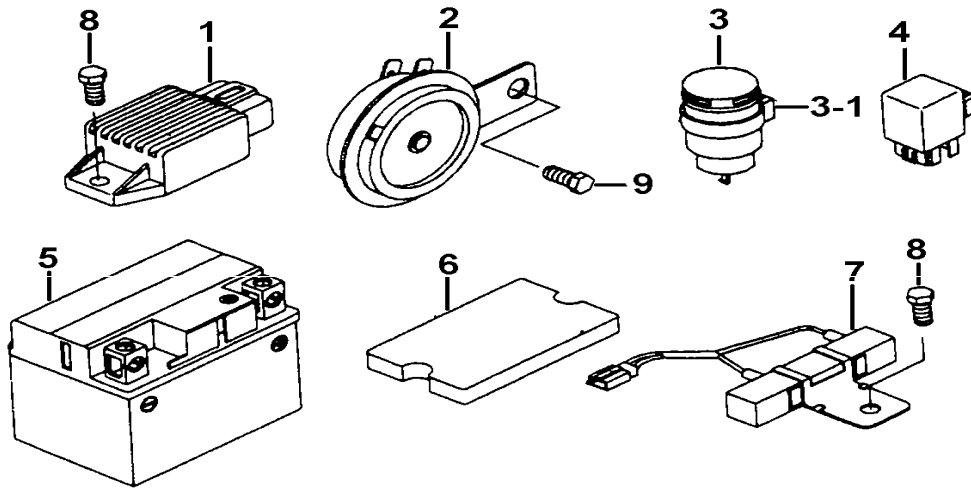


ITEM NO	PART NO	DESCRIPTION	Q'TY	AMEND	NOTE
01	551132	DRIVE FACE	1		
02	551133	DRIVEN GEAR SEAT	1		
03	551143	STARTER IDLE GEAR ASSY	1		
03-1	551144	STARTER IDLE GEAR COMP	1		
03-2	551142	STARTER GEAR FRICTION SPRING	1		
04	551135	MOVABLE DRIVE FACE ASSY	1		
04-1	551136	MOVABLE DRIVE FACE COMP	1		
04-2	551138	WEIGHT ROLLER COMP	6		
04-3	551139	RAMP PLATE	1		
04-4	551140	SLIDE PIECE	3		
04-5	551137	BUSH 24X28X30	1		
04-6	551134	DRIVE FACE BOSS	1		
05	551141	DICK STARTER DRIVEN GEAR	1		
06	551149	PLAIN WASHER 12MM	1		
07	551150	NUT 12MM	1		
08	551146	BUSH 12X16X12	1		
09	551145	KICK STARTER SPINDLE COMP	1		
10	551148	KICK STARTER SPRING	1		
11	551147	KICK SPINDLE BUSH	1		
12	551119	SPACER 3.5t	1		
13	551005Y	KICK STARTER ARM ASSY.	1		
14	S99602	BOLT, HEX. HEAD M6X22	1		
15	551002Y	REAR BRAKE CAN	1		
16	551001Y	REAR BRAKE ARM	1		
17	S20604	SCREW, PAN HEAD M6X32	1		
18	401855	LINING SET, REAR BRAKE	1		

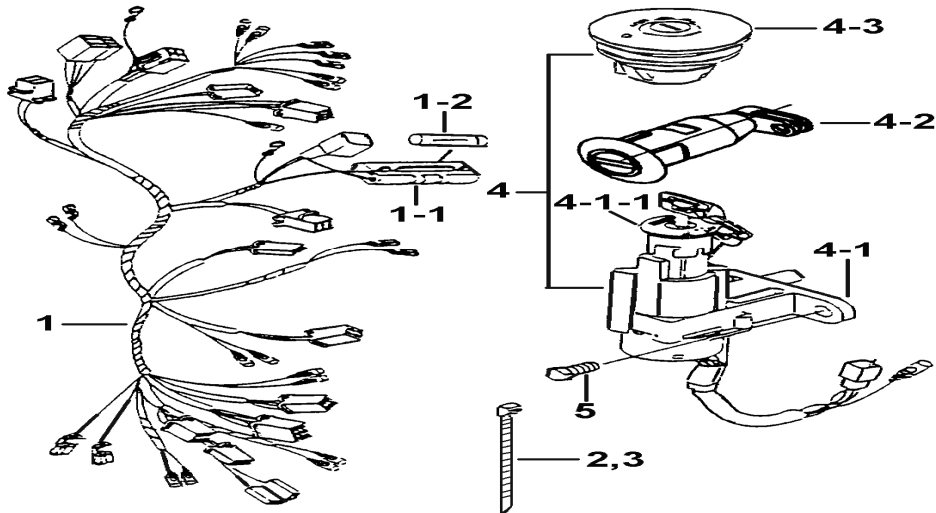


ITEM NO	PART NO	DESCRIPTION	Q'TY	AMEND	NOTE
01	551151	CLUTCH OUTER	1		
02	551158	DRIVEN PULLEY ASSY	1		
02-1	551152	DRIVE PLATE ASSY	1		
02-1-1	551156	CLUTCH WEIGHT COMP	3		
02-2	551160	DRIVEN FACE ASSY	1		
02-3	551168	SPECIAL NUT 28MM	1		
02-4	551165	DRIVEN FACE SPRING	1		
02-5	551167	SPRING COLLAR	1		
03	551159	DRIVE BELT	1		
04	551169	PLAIN WASHER 10.2X20X2.0	1		
05	551175	FLANGE NUT 10MM	1		

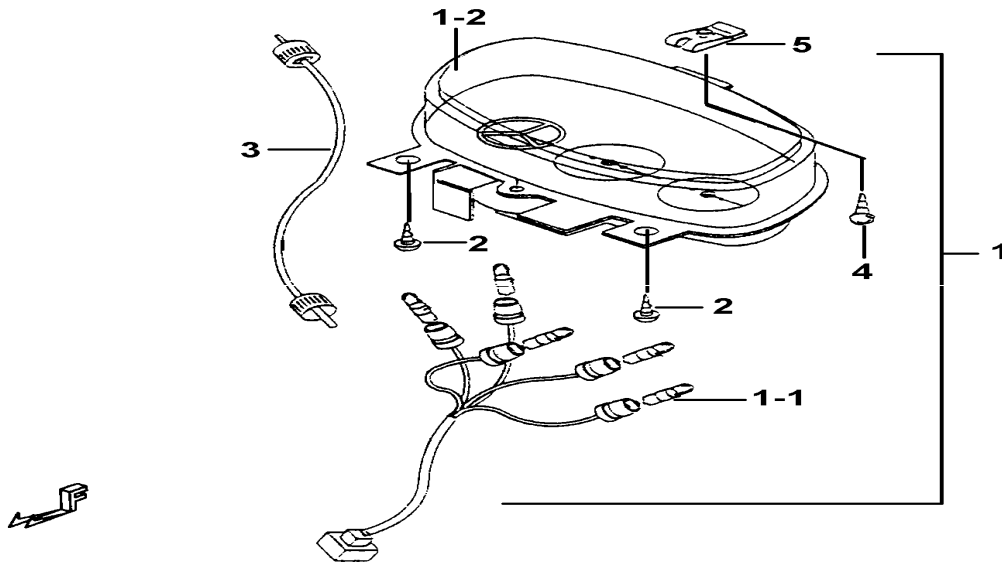




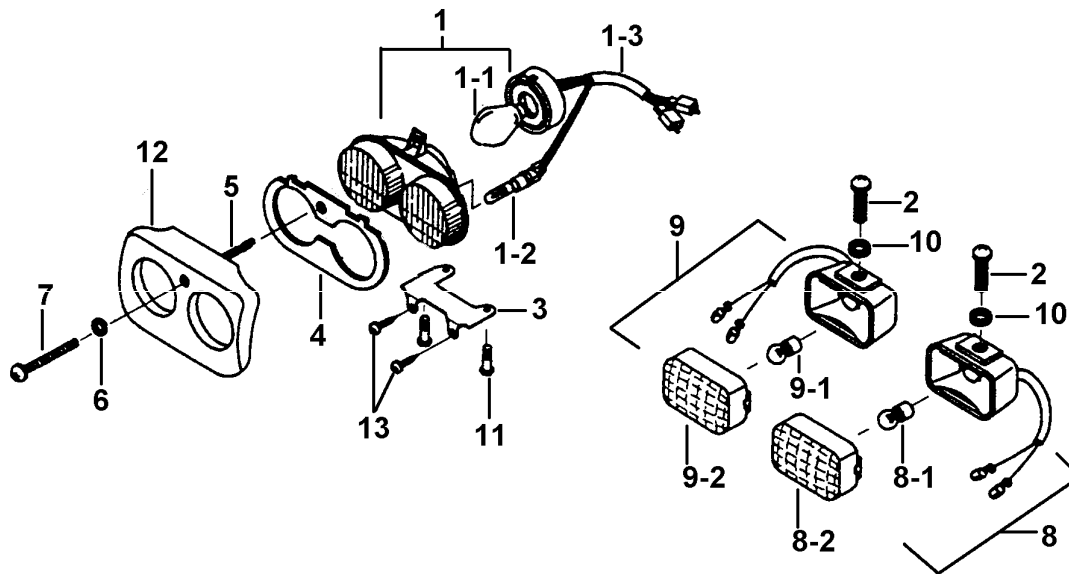
ITEM NO	PART NO	DESCRIPTION	Q'TY	AMEND	NOTE
01	551404Y	RECTIFIER ASSY.	1		
02	GF5149906	HORN ASSY.	1		
03	440800A	RELAY, TURN SIGNAL	1		
03-1	440745	BUSH, RUBBER	1		
04	GA5100004	RELAY	1		
05	GA5140003	BATTERY, 4AH	1		
06	GE514RB01	CUSHION, BATTERY	1		
07	551406	RESISTOR SET	1		
08	GA510SC03	SCREW, HEX. HEAD M6X16	2		
09	GA510SC02	SCREW, HEX. HEAD M6X12	1		



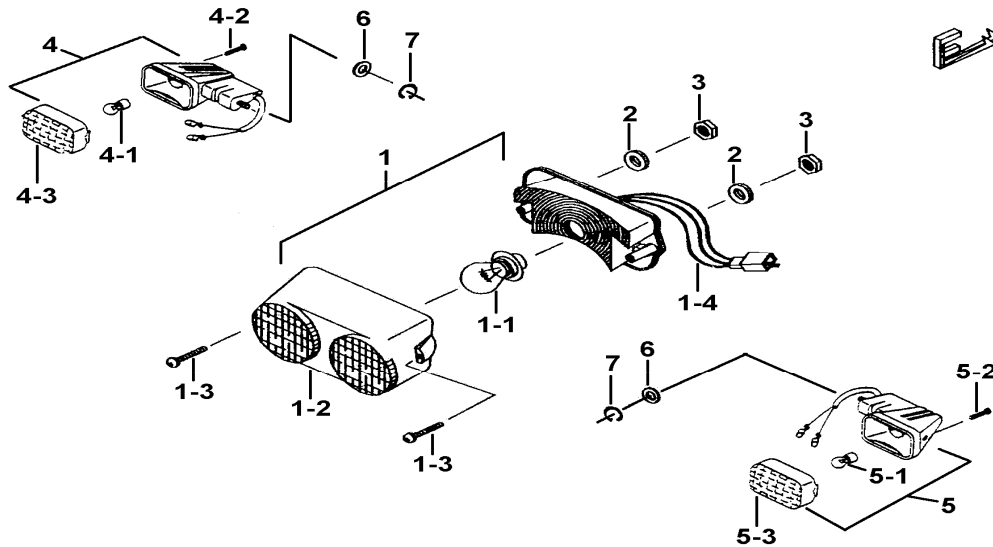
ITEM NO	PART NO	DESCRIPTION	Q'TY	AMEND	NOTE
01	551407	WIRING HARNESS	1		
01-1	GF5159906	CASE SET, FUSE	1		
01-2	GF5159907	FUSE 7A	1		
02	GA510SR01	CLAMP L150	2		
03	GA510SR02	CLAMP L200	1		
04	440749	LOCK ASSY.	1		
04-1	440774	LOCK SET, STEERING	1		
04-1-1	BH115PL01	CAP, INDICATOR	1		
04-2	440744-S	LOCK SET, SEAT	1		
04-3	571159904- c	LOCK SET, FUEL TANK	1		
05	S71603	BOLT, BREAKABLE, HEX. HEAD M6X16	2		



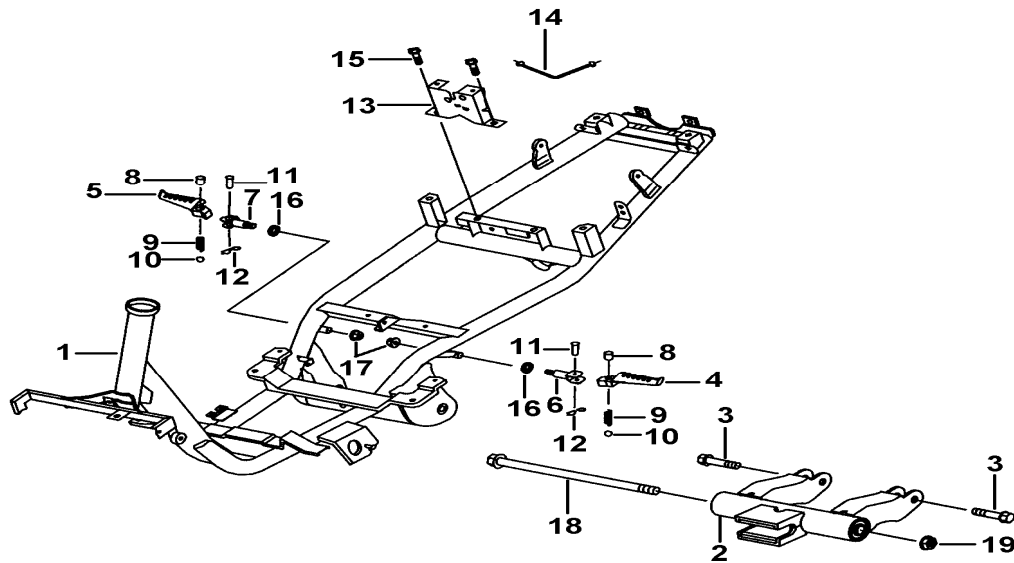
ITEM NO	PART NO	DESCRIPTION	Q'TY	AMEND	NOTE
01	457139	SPEEDOMETER ASSY.	1		
01-1	400560	BULB (12V, 1.7W)	5		
01-2	BH116PL01	COVER, SPEEDOMETER	1		
02	GA552SC11	SCREW, TAPPING M4X16	2		
03	402127	CABLE ASSY., SPEEDOMETER	1		
04	S51501	SCREW, TAPPING M5X16	1		
05	N31501	NUT, SPRING M5	1		



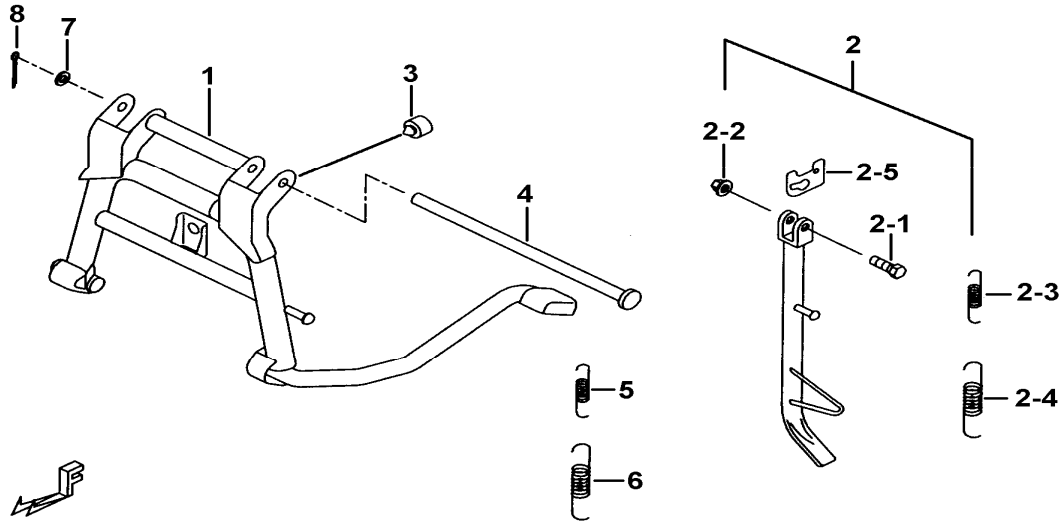
ITEM NO	PART NO	DESCRIPTION	Q'TY	AMEND	NOTE
01	400522	HEAD LAMP ASSY.	1		
01-1	GA5520019	BULB 12V, 35/35W	1		
01-2	400517	BULB 12V, 5W	1		
01-3	450024	SOCKET COMP.	1		
02	S46504	SCRWE, PAN HEAD M5X16	2		
03	400525	BRACKET	1		
04	BH117TH01	CUSHION, HEAD LAMP	1		
05	400527	SPRING, COMPRESSION	1		
06	GA552VW3U ?	WASHER	1		
07	S46402	SCREW OVAL HEAD M4X62	1		
08	GE5170003	TURN SIGNAL LAMP COMP., LH. FRONT	1		
08-1	GF5170006	BULB, 12V, R10W	1		
08-2	GE517PL03	LENS, TURN SIGNAL, FRONT	1		
09	GE5170004	TURN SIGNAL LAMP COMP., RH. FRONT	1		
09-1	GF5170006	BULB, 12V, R10W	1		
09-2	GE517PL03	LENS, TURN SIGNAL, FRONT	1		
10	GA552VW3U E	WASHER	2		
11	GA552SC06	BOLT, OVAL HEAD 5X12	2		
12	400526	COVER, LAMP	1		
13	S51501	SCREW, TAPPING M5X16	2		



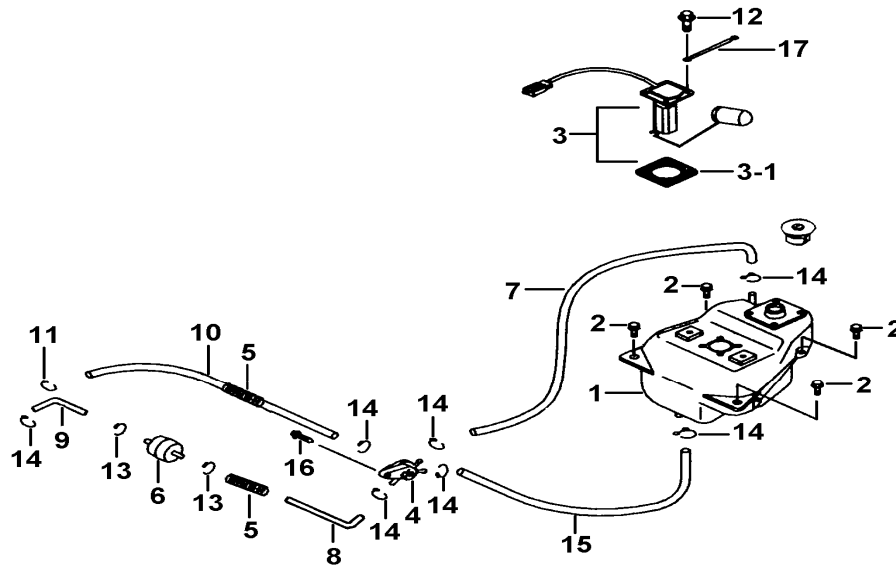
ITEM NO	PART NO	DESCRIPTION	Q'TY	AMEND	NOTE
01	CH5180001	REAR LAMP ASSY.	1		
01-1	GF5180002	BULB 12V, P21/5W	1		
01-2	BH118PL01	LENS, REAR COMBINATION	1		
01-3	S60401	SCREW, TAPPING M4x18	2		
01-4	BH1189901	WIRING HARNESS, REAR LAMP	1		
02	W99603	WASHER, RUBBER	2		
03	GA554NT04	NUT, FLANGE M6xP1.0	2		
04	BH1180002	TURN SIGNAL LAMP COMP., LH.	1		
04-1	GF5170006	BULB, 12V, R10W	1		
04-2	S61301	SCREW, TAPPING M3X20	1		
04-3	BH118PL02	LENS, TURN SIGNAL LAMP, REAR	1		
05	BH1180003	TURN, SIGNAL LAMP COMP., RH.	1		
05-1	GF5170006	BULB, 12V, R10W	1		
05-2	S61301	SCREW, TAPPING M3X20	1		
05-3	BH118PL02	LENS, TURN SIGNAL LAMP, REAR	1		
06	W99005	WASHER	2		
07	R10001	RETAINER RING, E CLIP M6	2		



ITEM NO	PART NO	DESCRIPTION	Q'TY	AMEND	NOTE
01	411997	FRAME	1		
02	414018	ROCKER ARM ASSY., HANGER	1		
03	GA557SC01	BOLT, FLANGE M10X43	2		
04	GF519AL05	FOOTREST ASSY., PILLION, LH.	1		
05	GF519AL06	FOOTREST ASSY., PILLION, RH.	1		
06	BH1199902	BRKT, FOOTREST, PILLION, LH.	1		
07	BH1199901	BRKT, FOOTREST, PILLION, RH.	1		
08	GF519FE01	COLLAR, PIN 6X8X20	2		
09	GF519SP01	SPRING, COMPRESSION 6X12.5	2		
10	GF519FE04	BALL $\varnothing$ 6.35	2		
11	GA551PN02	PIN 6X34	2		
12	GA551PN01	COTTER PIN 1.5X30	2		
13	BH1199904	LOCK SET, SEAT	1		
14	BH1199905	CABLE, LOCK SET, SEAT	1		
15	GA556SC01	BOLT, FLANGE M6X1.0X12L	2		
16	W99005	WASHER	2		
17	GA551NT01	NUT, SELFLOCK M10X1.25	2		
18	S20203	BOLT, HEX. HEAD	1		
19	N25201	NUT, SELFLOCK M12X1.25	1		

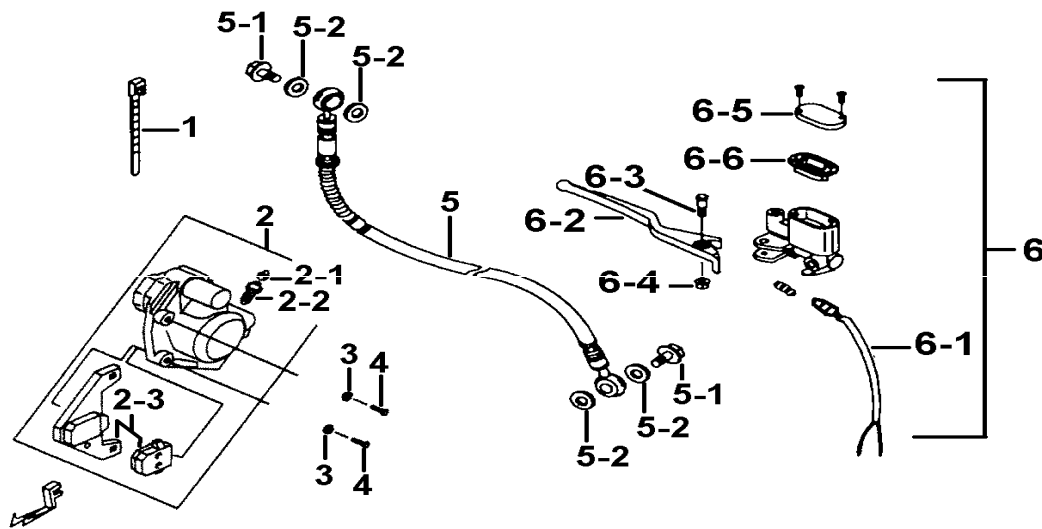


ITEM NO	PART NO	DESCRIPTION	Q'TY	AMEND	NOTE
01	412057	STAND COMP., MAIN	1		
02	BH1209902	STAND COMP., SIDE	1		
02-1	GA551SC10	SCREW, HEX. HEAD M8X39	1		
02-2	GA551NT04	NUT, HEX. HEAD M8	1		
02-3	GA551SP07	SPRING, SIDE STAND	1		
02-4	GA551SP06	SPRING, SIDE STAND 14X75X2	1		
02-5	GA551PS54	BRKT, SIDE STAND SPRING	1		
03	GA551RB05	CUSHION	1		
04	P31801	PIN	1		
05	GA551SP04	SPRING 9X107X1.4	1		
06	GA551SP02	SPRING 16X114X2.8	1		
07	W99806	WASHER 8.5X16X2	1		
08	GA551PN04	PIN, COTTER	1		

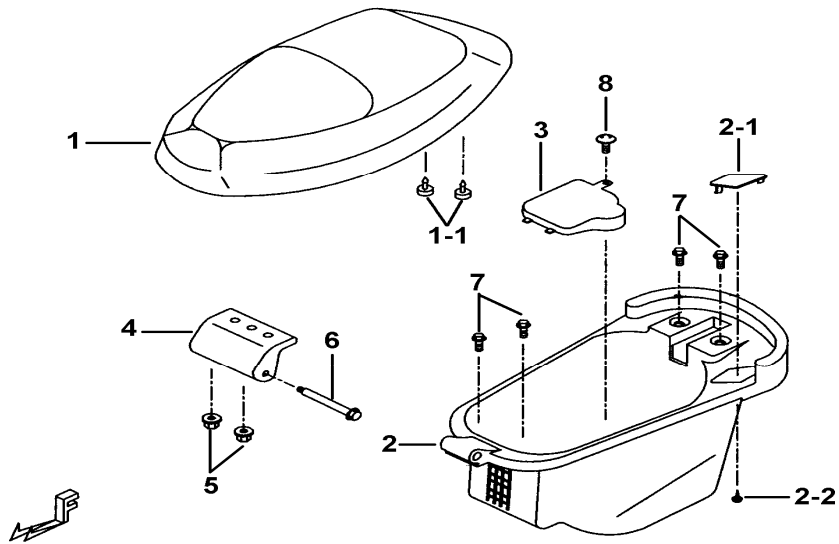


ITEM NO	PART NO	DESCRIPTION	Q'TY	AMEND	NOTE
01	401814	TANK, FUEL	1		
02	GA555SC05	BOLT, OUTLET M6X1.0X16L	4		
03	401813	GAUGE ASSY., FUEL LEVEL	1		
03-1	401628	GASKET	1		
04	GA5539902	COCK ASSY., FUEL	1		
05	412135	SPRING 250L	2		
06	412182	FILTER, FUEL	1		
07	412130	HOSE	1		
08	412139	HOSE	1		
09	412140	HOSE	1		
10	412191	HOSE, NEGATIVE PRESSURE	1		
11	R40801	CLIP	1		
12	S07501	BOLT,HEX HEAD	4		
13	R36901	CLIP	2		
14	R36801	CLIP § 8.5	7		
15	412113	HOSE	1		
16	GA553SC01	BOLT, FLANGE M6X1.0X16L	1		
17	412120	HARNESS, EARTH	1		

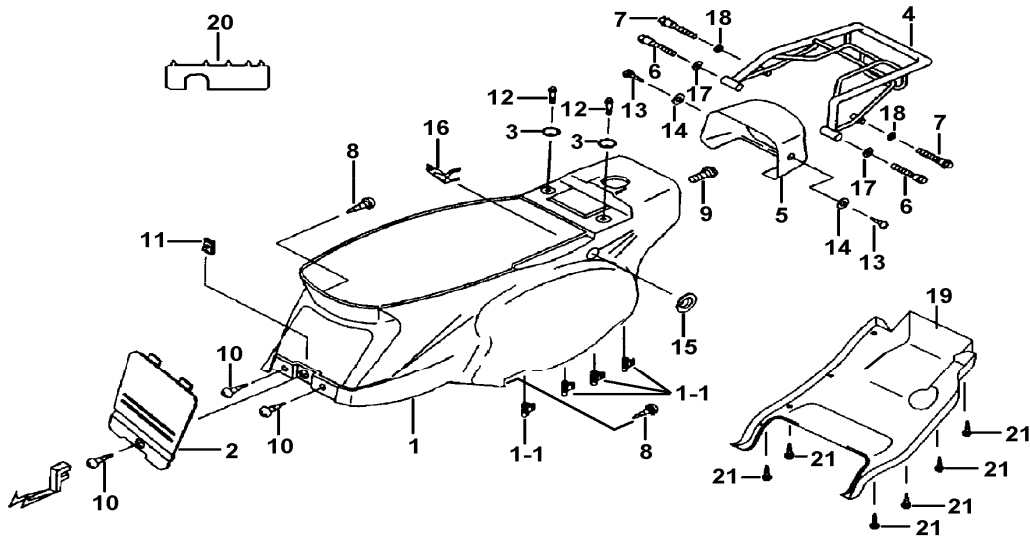




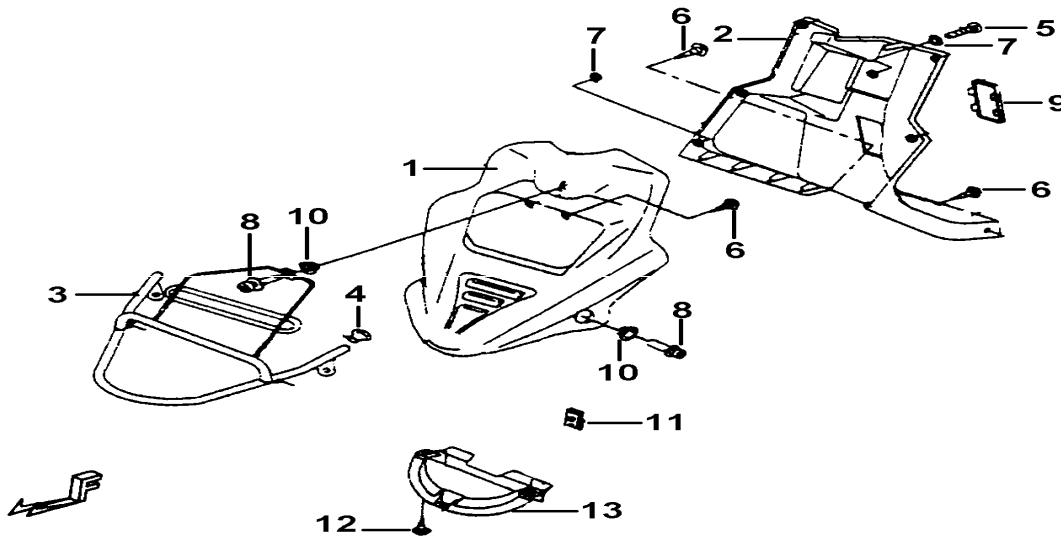
ITEM NO	PART NO	DESCRIPTION	Q'TY	AMEND	NOTE
01	GA510SR01	CLAMP L150	1		
02	401851	CALIPER	1		
02-1	GA559RB01	CAP, GUARD	1		
02-2	GA559SC01	BOLT, FLANGE	1		
02-3	GF5359902	PAD ASSY.	1		
03	W99805	WASHER	2		
04	GA558SC03	BOLT, HEX. HEAD	2		
05	BH1369901	HOSE ASSY., FRONT BRAKE	1		
05-1	S21001	OIL BOLT M10X1.25X22L	2		
05-2	GA559VVSU 1	WASHER, 10.2X15X1.2t	4		
06	GF5360001	MASTER CYLINDER	1		
06-1	GF5369902	LIMITED SWITCH ASSY., FRONT BRAKE LAMP, DL	1		
06-2	401020	LEVER, HANDLE BAR	1		
06-3	S46501	SCREW 6X30	1		
06-4	N25401	NUT M14	1		
06-5	GF536AL01	CAP, MASTER CYLINDER	1		
06-6	GF536RB01	DIAPHRAM	1		



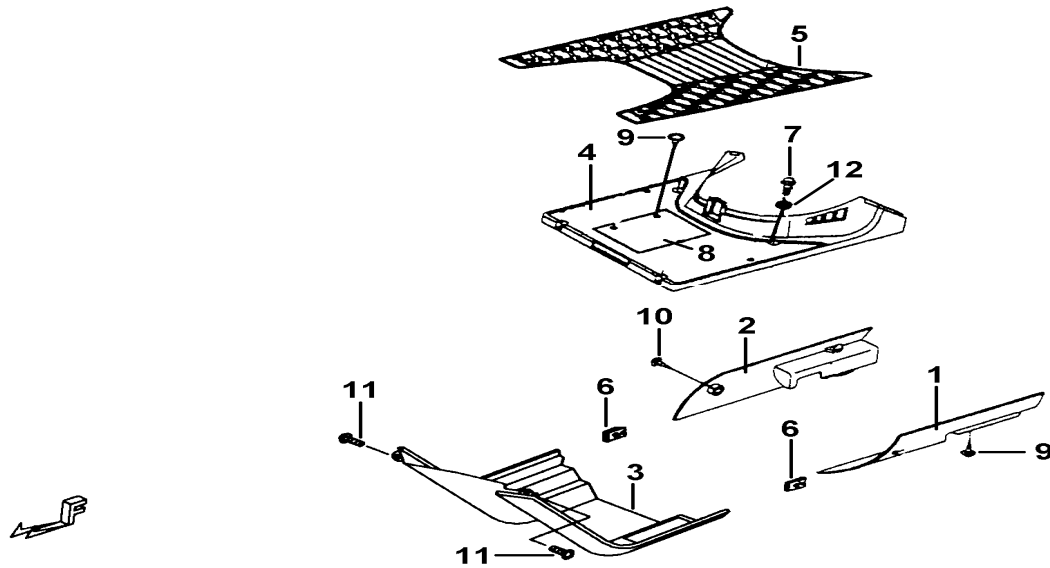
ITEM NO	PART NO	DESCRIPTION	Q'TY	AMEND	NOTE
01	452061	SEAT SET	1		
01-1	401904	DAMPER, RUBBER	2		
02	452038	HELMET CASE ASSY.	1		
02-1	452024	ORNAMENT, HELMET CASE	1		
02-2	S50401	SCREW TAPPING M4X12	1		
03	452014	CAP, HELMET CASE (BLACK)	1		
04	BH123FE01	BRKT, SEAT	1		
05	GA554NT04	NUT, FLANGE M6xP1.0	2		
06	S47601	SCREW, RECESSED PAN HEAD M6X68	1		
07	S25602	BOLT M6X16L	4		
08	S45603	SCREW, OVAL HEAD M6x10	1		
09	421516	PACKAGE, TOOL	1		



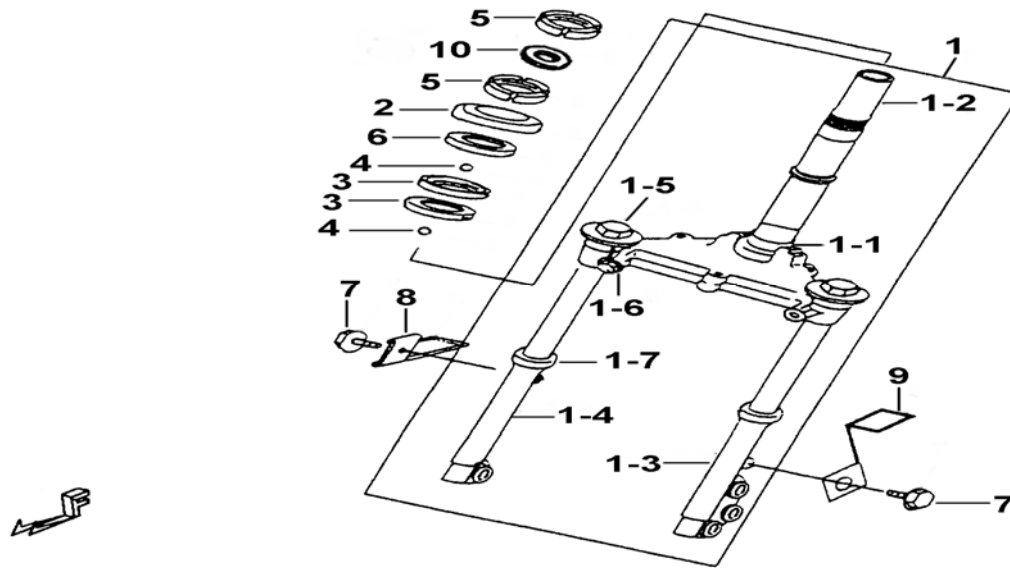
ITEM NO	PART NO	DESCRIPTION	Q'TY	AMEND	NOTE
01	BH124PL01 A	COVER, SIDE	1		
01-1	452035	BRKT	8		
02	BH124PL04	COVER, SMALL	1		
03	BH124FE01	BRKT, SEAT	2		
04	BH1249901	CARRIER, TAIL	1		
05	BH124PL03	COVER, TAIL LAMP	1		
06	S70613	BOLT, HEX. HEAD M6X50	2		
07	S70804	BOLT,HEX HEAD M8X50	2		
08	S57501	SCREW,OVAL HEAD, FLANGE M5X14	2		
09	S07501	BOLT,HEX HEAD	2		
10	S51501	SCREW,TAPPING M5X16	5		
11	N31501	NUT, SPRING M5	3		
12	S24617	BOLT, FLANGE M6X14	2		
13	S50501	SCREW, OVAL HEAD M5X12L	2		
14	GA552VVSU E	WASHER	2		
15	401658	BUSH	1		
16	401657	REED	1		
17	GA552VVSU C	WASHER	2		
18	W99810	WASHER	2		
19	453011B	BOTTOM PLATE, FUEL TANK	1		
20	453063	SPLASH APRON	1		
21	GA552SC11	SCREW, TAPPING M4X16	8		



ITEM NO	PART NO	DESCRIPTION	Q'TY	AMEND	NOTE
01	BH125PL01	LEG SHIELD FRONT	1		
02	BH125PL02	COVER, LEG SHIELD	1		
03	BH125FE01	BUMPER, PROTECTOR	1		
04	GI525RB03	CAP, RUBBER	2		
05	GA904SC26	SCREW, SOCKET HEAD M6X16	3		
06	S57501	SCREW, OVAL HEAD, FLANGE M5X14	10		
07	W99602	WASHER 6.5X12X1.0	3		
08	S72602	BOLT, HEX. HEAD	3		
09	BH125PL04	COVER SET, LEG SHIELD, SMALL	1		
10	BH125AL01	CAP, RUBBER	3		
11	N31501	NUT, SPRING M5	5		
12	S51501	SCREW, TAPPING M5X16	3		
13	BH125PL03	FRONT FENDER, INNER	1		



ITEM NO	PART NO	DESCRIPTION	Q'TY	AMEND	NOTE
01	BH126PL01	LEG SHIELD, SIDE, LH.	1		
02	BH126PL02	LEG SHIELD, SIDE, RH.	1		
03	401860	LEG SHIELD, LOWER	1		
04	BH126PL04	LEG SHIELD, RAER	1		
05	BH126RB01	CUSHION, LEG SHIELD	1		
06	N31501	NUT, SPRING M5	6		
07	GA551SC09	BOLT, FLANGE M6X20	4		
08	BH126PL05	LID, BATTERY BOX	1		
09	S57501	SCREW, OVAL HEAD, FLANGE M5X14	7		
10	S51501	SCREW, TAPPING M5X16	2		
11	GA904SC26	SCREW, SOCKET HEAD M6X16	2		
12	GA550VW3U 2	WASHER	4		

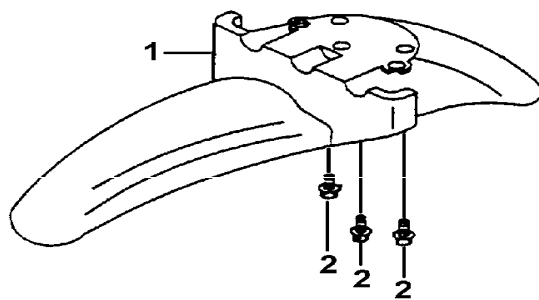


ITEM NO	PART NO	DESCRIPTION	Q'TY	AMEND	NOTE
01	412720	FORK COMP., FRONT	1		
01-1	414009	RACE, STEERING, INNER, LOWER	1		
01-2	401673	CENTREL BAR ASSY.	1		
01-3	401671	FORK COMP., FRONT LH.	1		
01-4	401672	FORK COMP., FRONT RH.	1		
01-5	GI527SC01	NUT, HEX. HEAD	2		
01-6	S20002	BOLT,FLANGE M10X1.25	2		
01-7	GI527OS01	OIL SEAL	2		
02	BH127PS01	WASHER	1		
03	BH127PS03	RACE, STEERING, OUTER	2		
04	BH127FE01	BALL	44		
05	N50501	NUT, SLOTTED	2		
06	BH127PS02	RACE, STEERING, INNER, UPPER	1		
07	GA556SC01	BOLT, FLANGE M6X1.0X12L	2		
08	GI527PS02	BRKT, CABLE, SPEEDOMETER	1		
09	BH1279901	BRKT, BRAKE HOSE	1		
10	W99533	WASHER	1		

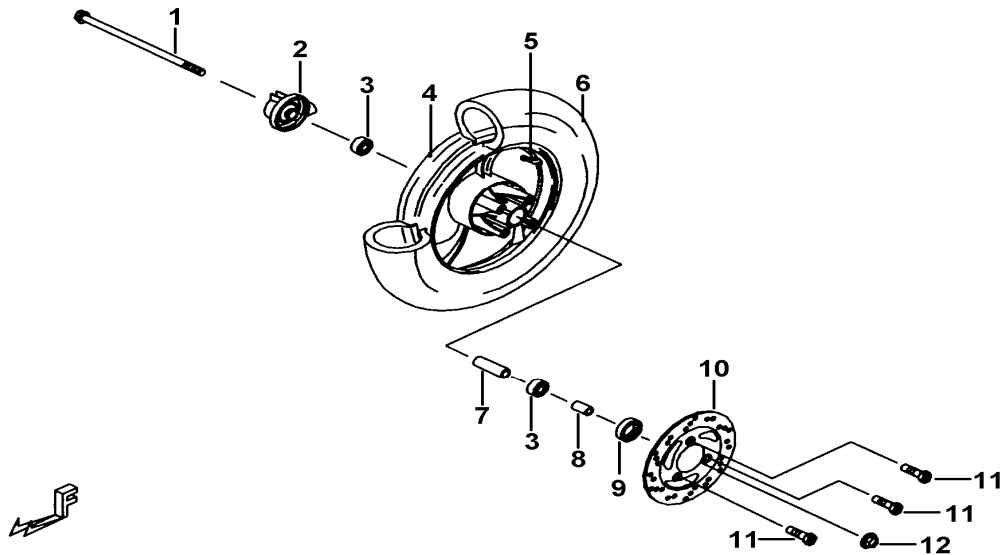
28

FRONT FENDER

CH1

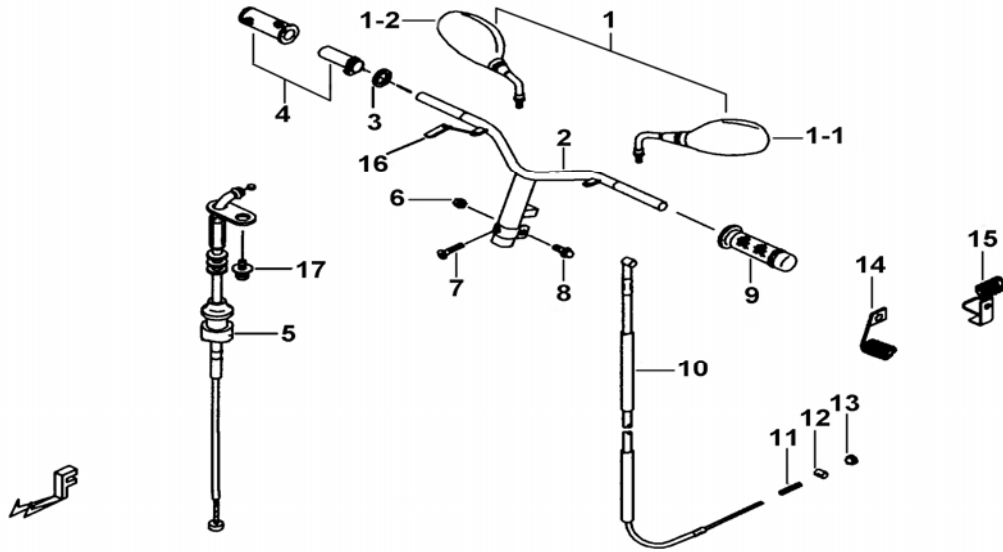


ITEM NO	PART NO	DESCRIPTION	Q'TY	AMEND	NOTE
01	BH128PL01	FRONT FENDER	1		
02	GA556SC01	BOLT, FLANGE M6X1.0X12L	3		

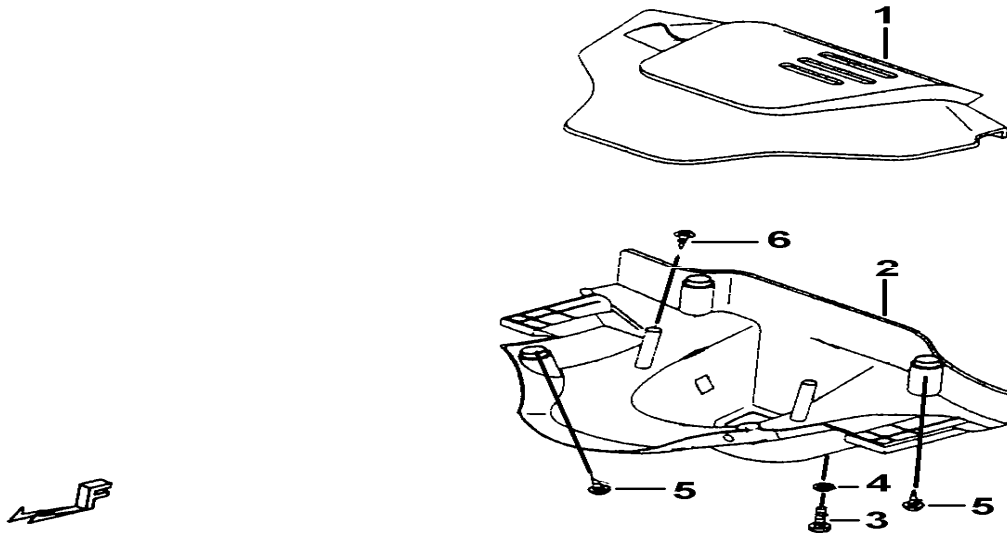


ITEM NO	PART NO	DESCRIPTION	Q'TY	AMEND	NOTE
01	GI529FE01	SHAFT, FRONT WHEEL 12X218	1		
02	GI5299901	GEAR COMP., SPEEDOMETER	1		
03	GI529DRU11 T	BEARING 12X32X10	2		
04	412948SGY	RIM COMP., FRONT WHEEL 2.75-12 (SILVER)	1		
05	GF5299901	INLET COMP., AIR	1		
06	401805-S	TIRE, FRONT 120/70-12	1		
07	401792	COLLAR SET	1		
08	GI529BS01	COLLAR	1		
09	GI529OS01	OIL SEAL 18X35X7	1		
10	410161Y	DISC, BRAKE 190mm	1		
11	GA558SC02	BOLT M8X1.25X15L	3		
12	N25201	NUT, SELFLOCK M12X1.25	1		

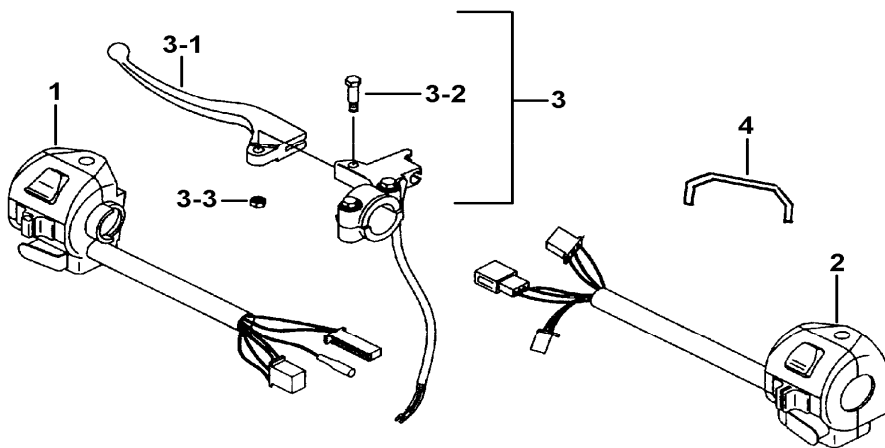




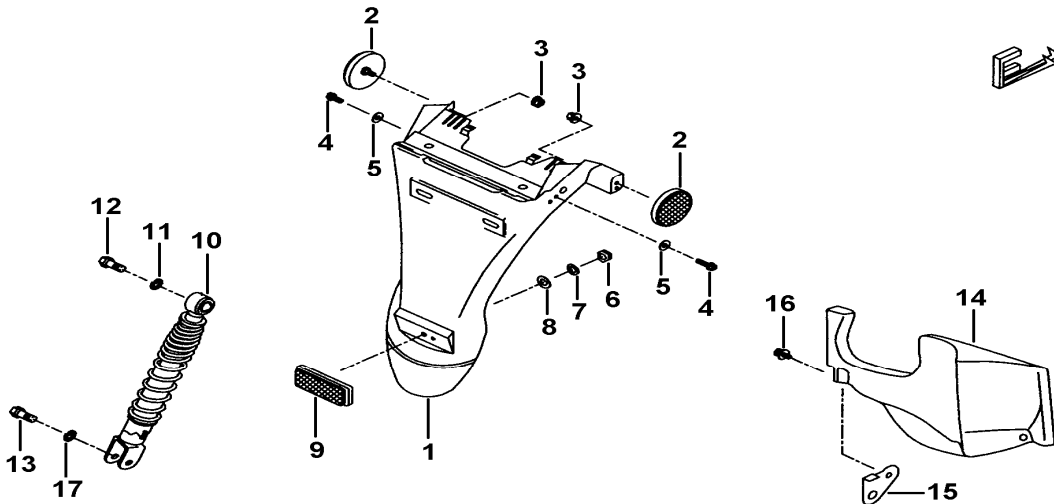
ITEM NO	PART NO	DESCRIPTION	Q'TY	AMEND	NOTE
01	413063	MIRROR ASSY., REAR VIEW	1		
01-1	414006	MIRROR, REAR VIEW, LH.	1		
01-2	414007	MIRROR, REAR VIEW, RH.	1		
02	BH1309903	HANDLE BAR ASSY.	1		
03	413912	SEAL	1		
04	413032	GRIP ASSY., RH.	1		
05	413094	CABLE, THROTTLE	1		
06	GA551NT01	NUT, SELFLOCK M10X1.25	1		
07	GA557SC02	SCREW, FLAT HEAD M8X35	1		
08	GA557SC01	BOLT, FLANGE M10X43	1		
09	GF530RB02	GRIP, LH.	1		
10	413081	CABLE, REAR BRAKE	1		
11	413082	SPRING	1		
12	GI530PN01	PIN, STOP $\varnothing$ 12X22	1		
13	GI530NT01	NUT, ADJUSTING M6X16	1		
14	GI5309907	BRKT, SET REAR BRAKE CABKE(MIDDLE)	1		
15	401702	BRKT, SET REAR BRAKE (REAR)	1		
16	GA501SR01	CLAMP	1		
17	GA557SC12	SCREW, PAN HEAD M5X10	1		



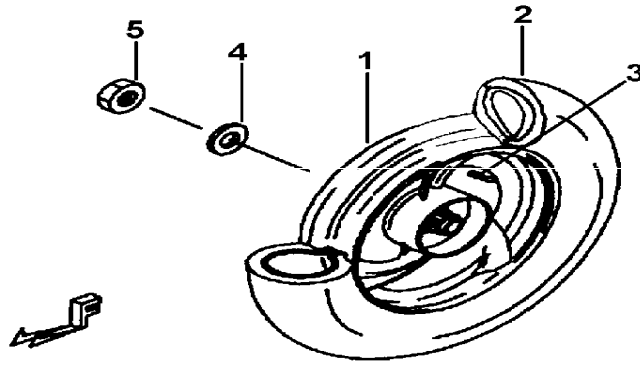
ITEM NO	PART NO	DESCRIPTION	Q'TY	AMEND	NOTE
01	BH131PL01	COVER, HANDLE BAR, UPPER	1		
02	BH131PL02	COVER, HANDLE BAR, UNDER	1		
03	S46504	SCRWE, PAN HEAD M5X16	1		
04	GA552VW3U F	WASHER	1		
05	GA552SC11	SCREW, TAPPING M4X16	4		
06	S57501	SCREW, OVAL HEAD, FLANGE M5X14	2		



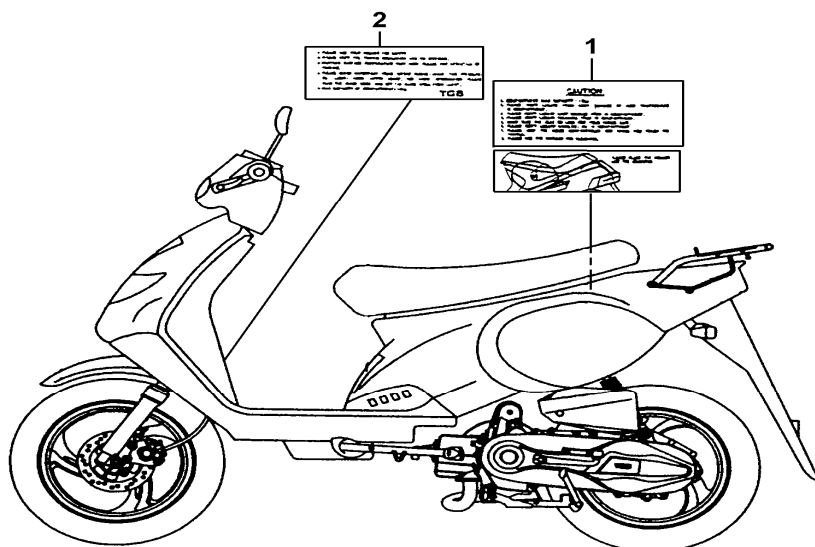
ITEM NO	PART NO	DESCRIPTION	Q'TY	AMEND	NOTE
01	413203	SWITCH ASSY., HANDLE, LH.	1		
02	400530	SWITCH ASSY., HANDLE, RH.	1		
03	413201	LEVER ASSY., HANDLE BAR, LH.	1		
03-1	413210	LEVER, HANDLE BAR, LH.	1		
03-2	S47503	SCREW, CROSS RECESSED, PAN HEAD M5	1		
03-3	N20501	NUT, SELFLOCK M5	1		
04	413911	WASHER	1		



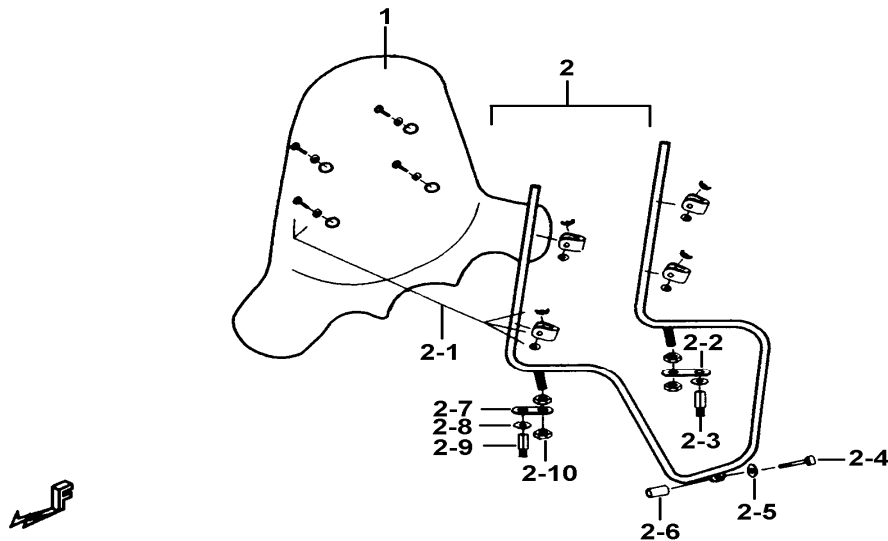
ITEM NO	PART NO	DESCRIPTION	Q'TY	AMEND	NOTE
01	401834	FENDER, REAR, UPPER	1		
02	GF5189903	REFLECTOR ASSY., SIDE	2		
03	GA554NT04	NUT, FLANGE M6xP1.0	2		
04	GA510SC03	SCREW, HEX. HEAD M6X16	2		
05	GA550VW3U	WASHER	2		
06	GA552NT05	NUT, FLANGE M5	1		
07	W10501	SPRING WASHER	1		
08	GA552VW3U	WASHER	1		
09	GF5189902	REFLECTOR ASSY., REAR	1		
10	413320	ABSORBER ASSY., SHOCK, REAR	1		
11	GA550VW3U	WASHER, SPRING 10.2X3.7X2.5t	1		
12	GA556SC03	BOLT, HEX. HEAD M10X1.25X40L	1		
13	S99802	BOLT, HEX. HEAD M8X35	1		
14	458026	SPLASH BOARD	1		
15	458027	BRACKET	1		
16	S07601	BOLT, FLANGE M6X16 (Dark Green)	1		
17	GA550VW3U	SPRING WASHER 8.2X3.2X2t	1		



ITEM NO	PART NO	DESCRIPTION	Q'TY	AMEND	NOTE
01	413418SGY	RIM COMP., REAR WHEEL 3.0-12 (SILVER)	1		
02	401805-S	TIRE, FRONT 120/70-12	1		
03	GF5299901	INLET COMP., AIR	1		
04	GA558NT03 1	WASHER	1		
05	GA558NT03	NUT, SELFLOCK M16X14	1		



ITEM NO	PART NO	DESCRIPTION	Q'TY	AMEND	NOTE
01	GF523TH04	LABEL, LUGGAGE BOX	1		
02	GF525TH12	LABEL, WARNING	1		



ITEM NO	PART NO	DESCRIPTION	Q'TY	AMEND	NOTE
01	457029	WIND-SHIELD	1		
02	457041	FIXED ROD SET	1		
02-1	457046	BLOT SET	4		
02-10	GA551NT04	NUT, HEX. HEAD M8	4		
02-2	457026	PLATE, RH.	1		
02-3	457044	SPACER, RH.	1		
02-4	S70611	SCREW, SOCKET HEAD M6x50	1		
02-5	W99605	WASHER	1		
02-6	457050	SPACER	1		
02-7	457027	PLATE, LH.	1		
02-8	W99812	WASHER 1.5t	2		
02-9	457043	SPACER, LH.	1		