



SPARE PARTS
Model : BR1

台灣金蜂股份有限公司
TAIWAN GOLDEN BEE CO.,LTD.

BR1 TABLE OF COLORED PART FOR FRANCE (SIMA)

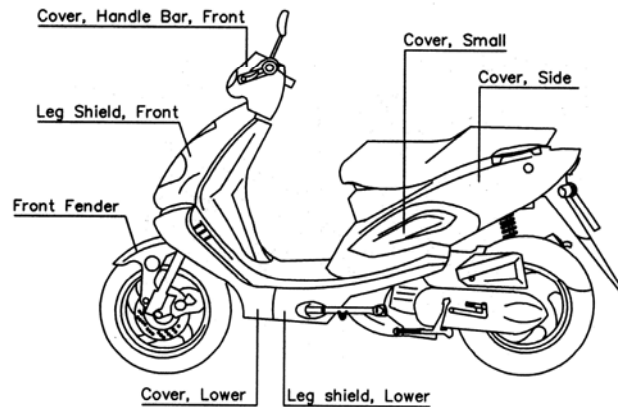


TABLE OF COLORED PART (Hawk)				
	CODE	A		
	Basic Color	Peary Black		
	Description	PA		
		Bla 801		
24	Cover, Side LH., With Emblem	453001PALA1		
	Cover, Side, LH.	453001PA		
	Emblem, Side Cover, LH. "Hawk"	459359		
	Emblem, Side Cover, LH. "RACING"	459360		
	Emblem Side Cover, LH. "powered by tgb"	459361		
	Emblem, Side Cover, LH. "18"	459363		
	Emblem, Side Cover, LH. "303"	459364		
	Emblem Side Cover, LH. "R"	459365		
24	Cover, Side RH., With Emblem	453003PARA1		
	Cover, Side RH.	453003PA		
	Emblem, Side Cover, RH. "Hawk"	459359		
	Emblem, Side Cover, RH. "RACING"	459360		
	Emblem, Side Cover, RH. "powered by	459361		
	Emblem, Side Cover, RH. "18"	459363		
	Emblem, Side Cover, RH. "303"	459364		
	Emblem, Side Cover, RH. "R"	459365		
24	Emblem, Side Cover(MIDDLE)	459362		
24	Cover, Small, LH., With Emblem	453002PAL3		
	Cover, Small, LH.	453002PA		
	Emblem, Cover, Small, LH.	459259		
24	Cover, Small, RH., With Emblem	453004PAR3		
	Cover, Small, RH.	453004PA		
	Emblem, Cover, Small, RH.	459261		
25	Leg Shield, Front, With Emblem	401653PAFL		
	Leg Shield, Front	401653PA		
	Emblem, Leg Shield, Front, LH.	459350		
	Emblem, Leg Shield, Front "18"	459351		
	Emblem, Leg Shield, Front "BAD-SNAKE" LH.	459352		
	Emblem, Leg Shield, Front RH.	459353		
	Emblem, Leg Shield, Front "BAD-SNAKE" RH.	459354		
	Emblem, Leg Shield, Front (MIDDLE)	459355		
	" TGB " Emblem	459341		
	Cover Lower, With Emblem	455006PABF		
	Cover, Lower	455006PA		
26	Emblem, Cover Lower "R"	459366		
26	Leg Shield, Lower, With Emblem	455005PAD7		
	Leg Shield, Lower	455005PA		
	Emblem, Leg Shield, Lower "RACING"	459356		
	Emblem, Leg Shield, Lower "TGB"	459357		
27	Front Fork, With Emblem	412704B		
	Emblem, Front Fork	459104		
28	Front Fender, With Emblem	456004PAF2		
	Front Fender	456004PA		
	Emblem, "Hawk"	459358		
31	Cover, Handle Bar, Upper, With Emblem	401610PAF2		
	Cover, Handle Bar, Upper	401610PA		
	Emblem, "Hawk"	459358		
	Emblem, Cover, Handle Bar, Upper (MIDDLE)	459367		

BR1 TABLE OF COLORED PART FOR FRANCE (SIMA)

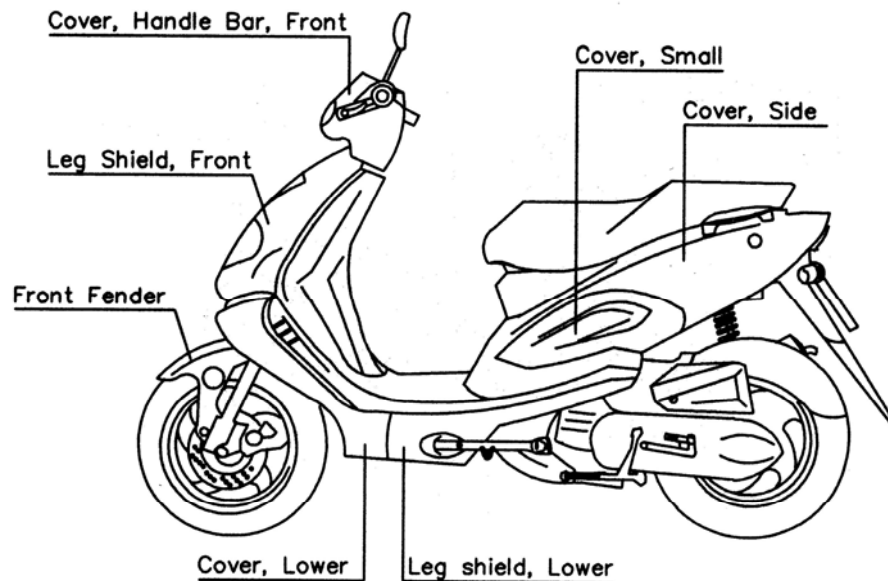


TABLE OF COLORED PART (Hawk 42Racing)				
ITEM NO.	Description	CODE	A	
		Basic Color	Ferrari's Red FR	Red 701
24	Cover, Side LH., With Emblem		453001FRLAA	
	Cover, Side, LH.		453001FR	
	Emblem, Side Cover, LH."Hawk 42 Racing"		459607	
24	Cover, Side RH., With Emblem		453003FRRAA	
	Cover, Side RH.		453003FR	
	Emblem, Side Cover, RH."Hawk 42 Racing"		459608	
24	Cover, Small, LH., With Emblem		453002PAL3	
	Cover, Small, LH.		453002PA	
	Emblem, Small, LH.		459259	
24	Cover, Small, RH., With Emblem		453004PAR3	
	Cover, Small, RH.		453004PA	
	Emblem, Small, RH.		459261	
25	Leg Shield, Front, With Emblem		401653FRFS	
	Leg Shield, Front		401653FR	
	"TGB" Emblem		459341	
	Emblem, Leg Shield, Front, LH.		459605	
	Emblem, Leg Shield, Front, RH.		459606	
	"BAD-SNAKE" Emblem, LH.		459352	
	"BAD-SNAKE" Emblem, RH.		459354	
Emblem, Leg Shield, Front, (MIDDE)		459355		
26	Cover Lower, With Emblem		455006FRBK	
	Cover, Lower		455006FR	
	Emblem, Lower Cover LH.		459444	
	Emblem, Lower Cover RH.		459445	
26	Leg Shield, Lower, With Emblem		455005PADF	
	Leg Shield, Lower		455005PA	
	"TGB Racing" Emblem		459449	
	LH., "42 BP" Emblem		459446	
	RH., "42 BP" Emblem		459447	
28	Front Fender, With Emblem		456004FRF2	
	Front Fender		456004FR	
	"Hawk" Emblem		459358	
31	Cover, Handle Bar, Upper, With Emblem		401610FRF6	
	Cover, Handle Bar, Upper		401610FR	
	"Hawk" Emblem		459358	
	Emblem, Cover, Handle Bar, Upper (MIDDLE)		459367	

SUMMARY

1. HOW TO READ PARTS LIST :

1.1 AT FIRST TO JUDGE IN WHICH GROUP YOUR PART BELONG TO, FIND OUT GROUP NUMBER IN THE CONTENTS, NO.1-NO.11 ARE ENGINE PARTS, NO.12-NO.15 ARE ELECTRIC PARTS, NO.16-NO.36 ARE FRAME PARTS.

1.2 ACCORDING TO GROUP NUMBER FIND OUT THE DRAWING ON THAT UPPER SIDE PAGE.

1.3 FROM THE ITEM OF THE PART ON THE DRAWING, FIND THE PART NO., DESCRIPTION,REQUIRED QUANTITY.

1.4 USE THIS PART NO. DESCRIPTION AND QUANTITY TO ORDER.

2. COLOR CODE AND EMBLEM CODE:

2.1 COLOR CODE ATTACH TO PART NO. MUST BE TWO ALPHABETS, USE AT DIFFERENT COLOR PART ONLY.

2.2 EMBLEM CODE ATTACH TO COLOR CODE, MUST BE ONE ALPHABET AND ONE ARABIC NUMBER OR TWO ALPHABET, USE AT DIFFERENT COLOR EMBLEM ONLY. ANY EMBLEM WITHOUT DIFFERENT COLOR DON'T NECESSARY EMBLEM CODE.

2.3 WHEN YOU ORDER PARTS THAT HAVE DIFFERENT COLOR,PLEASE PICK UP THE RIGHT PART OR EMBLEM FROM " TABLE OF COLORED PARTS " (PAGE I).

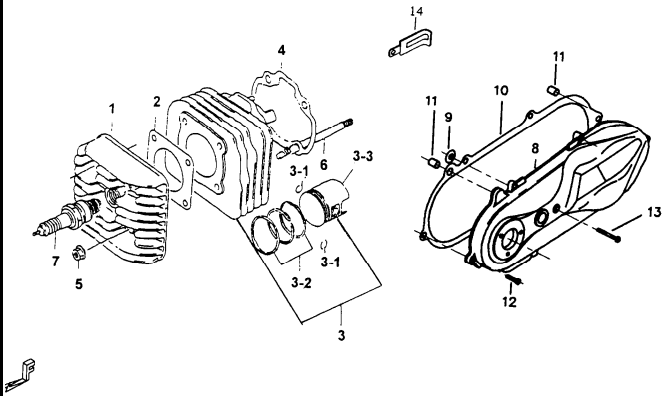
3. AMEND. CODE : INDICATES THE LAST 6 NUMBERS OF FRAME NUMBER TO DISTINGUISH THE SCOOTER BEEN MODIFIED. EXAMPLE :

" ← 518034 " MEANS SCOOTERS BEFORE " □□□□□□□□□□518034 " .

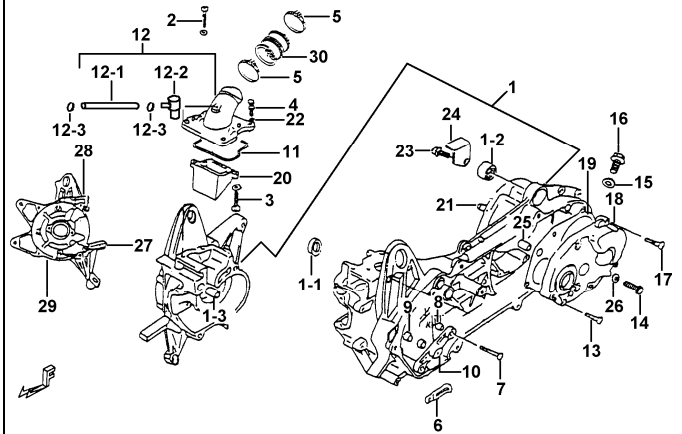
" 518035 → " MEANS SCOOTERS AFTER " □□□□□□□□□□518035 " .

4. IF ANY MODIFICATION AFTER PUBLISHING,WE'LL SEND YOU THE AMENDMENT, PLEASE CORRECT YOUR PARTS LIST RIGHT AWAY.

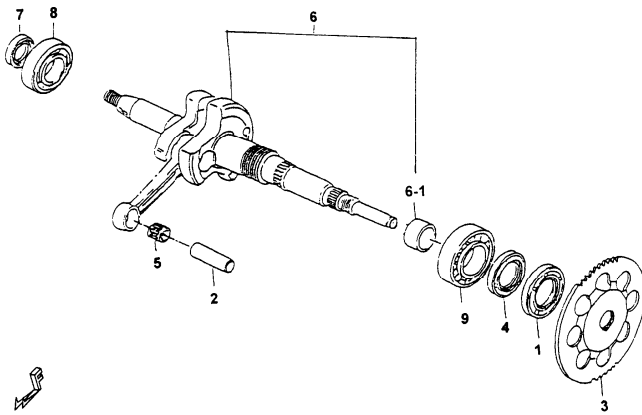
1. CYLINDER AND CRANK CASE COVER



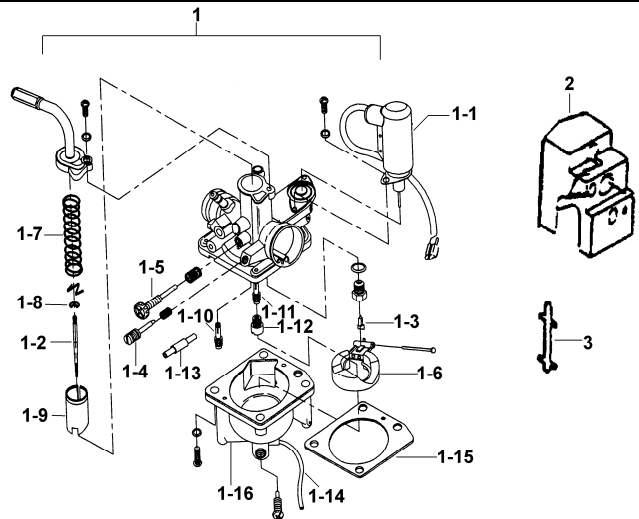
2. CRANK CASE



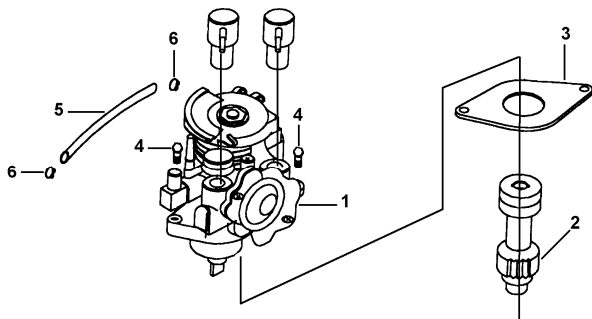
3. CRANK SHAFT



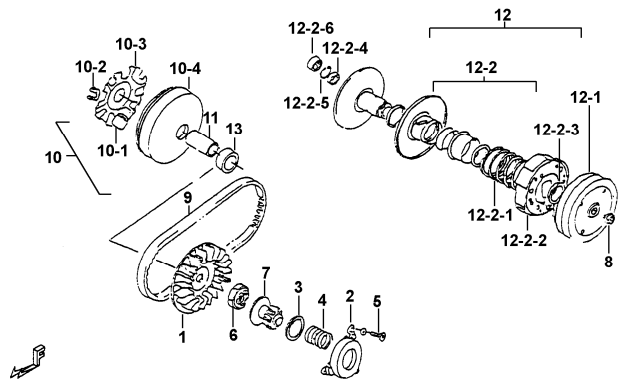
4. CARBURETOR



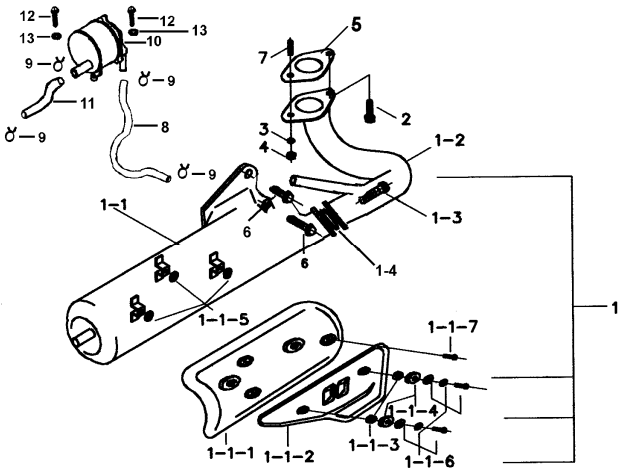
5. OIL PUMP



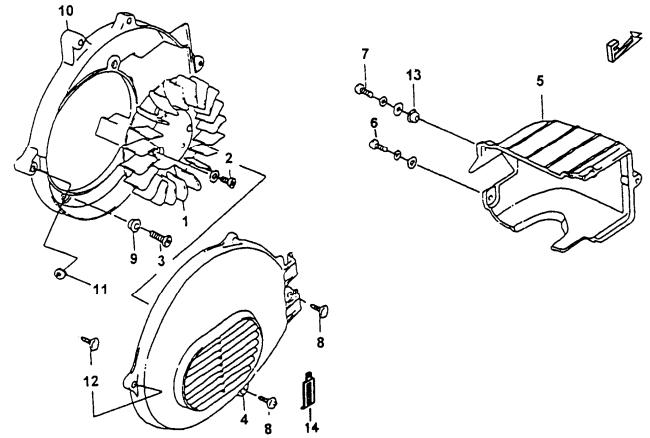
6. CONTINUOUS VARIABLE TRANSMISSION



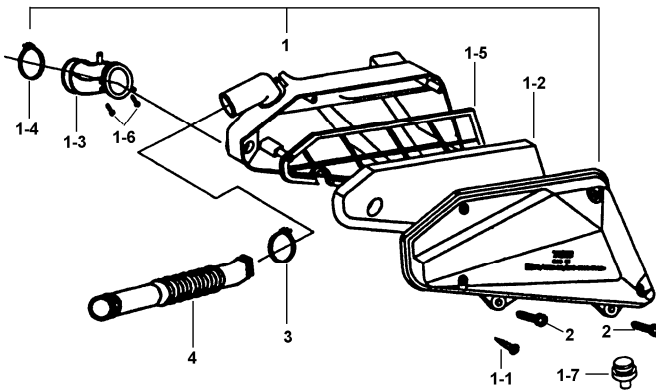
7. MUFFLER



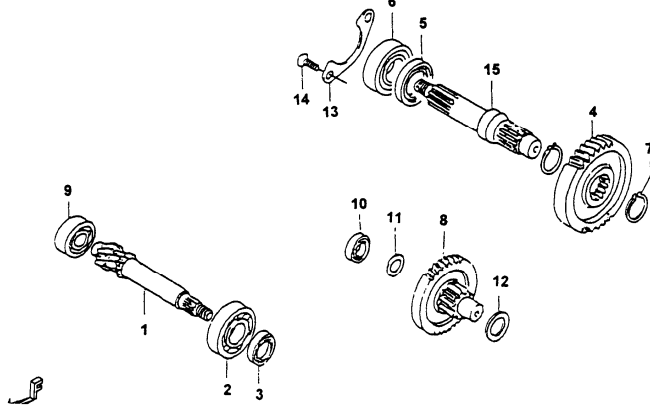
8. COOLING FAN



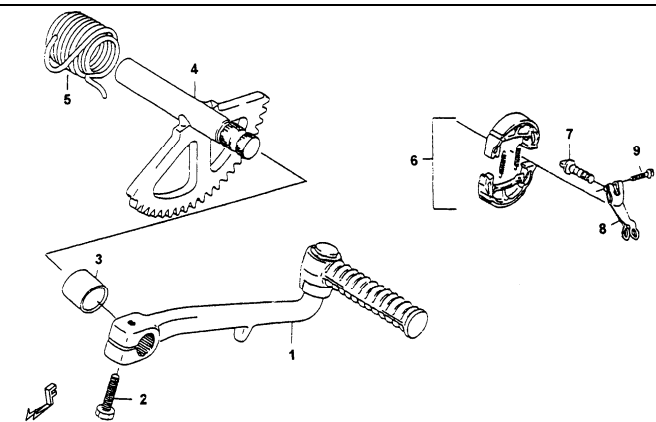
9. AIR CLEANER



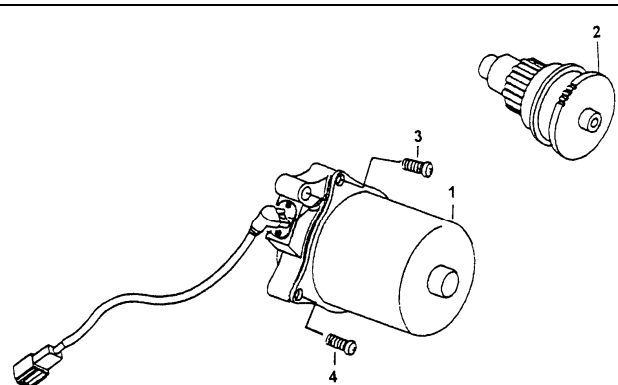
10. REDUCING GEAR



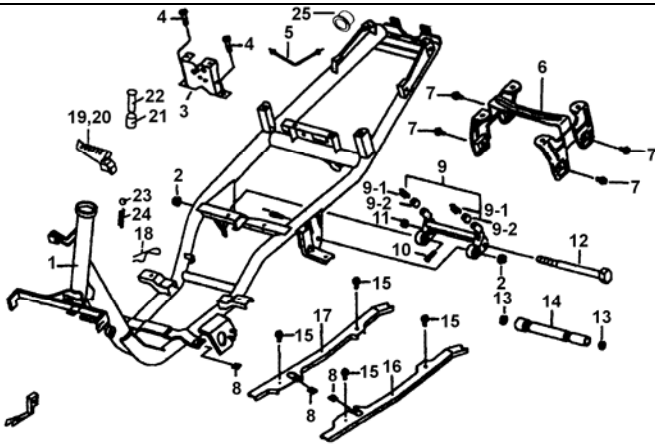
11. KICK STARTER



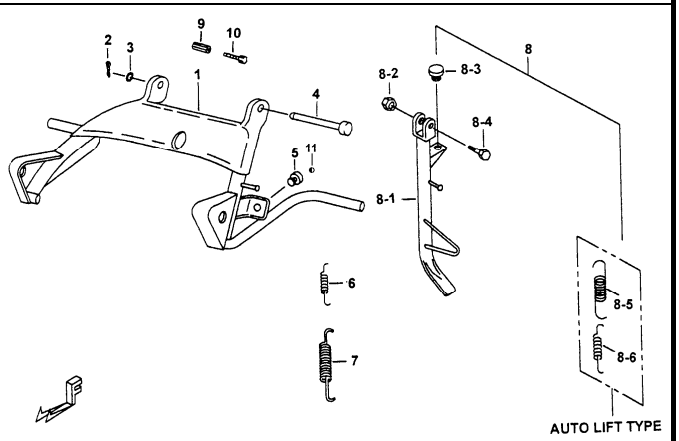
12. STARTING MOTOR



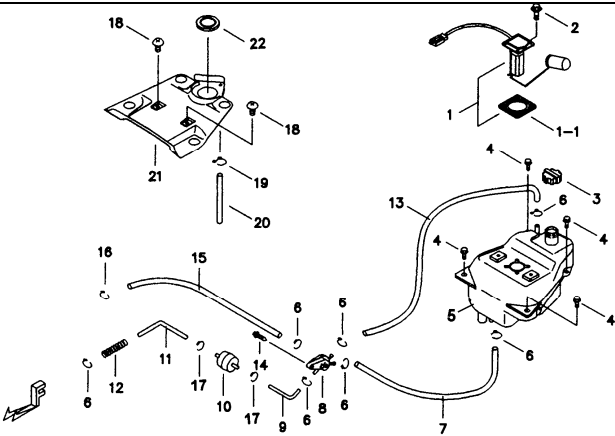
19 . FRAME



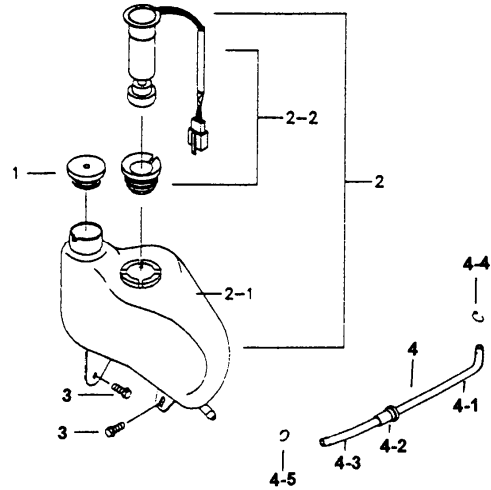
20 . STAND



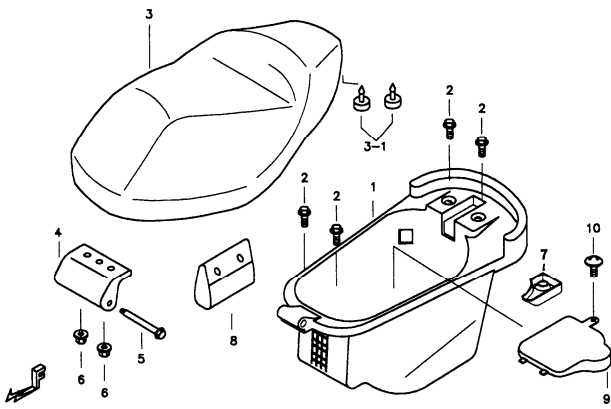
21 .FUEL TANK



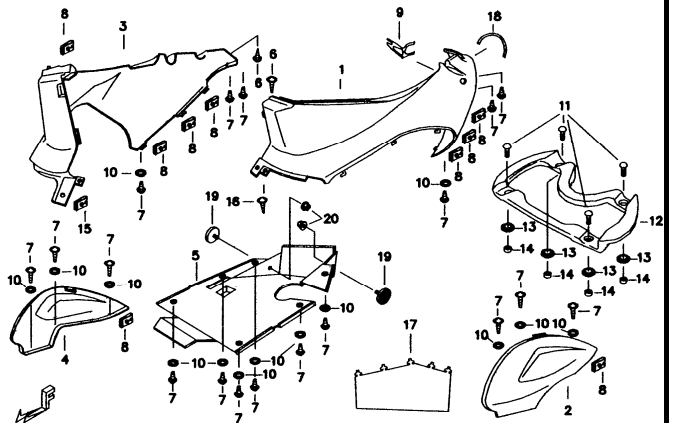
22 .OIL TANK



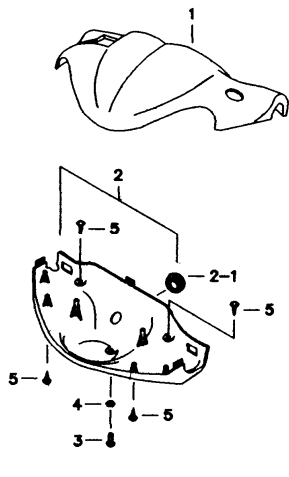
23 . SEAT



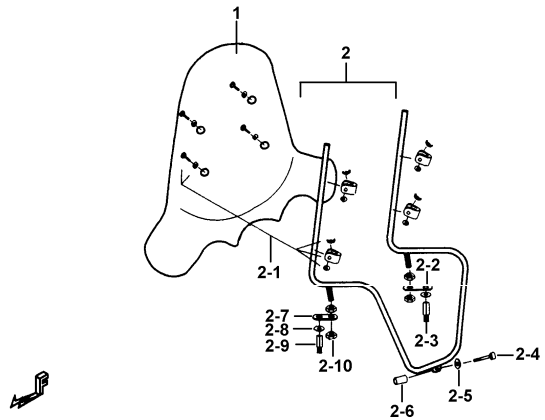
24 . ADDITIONS OF SIDE COVER



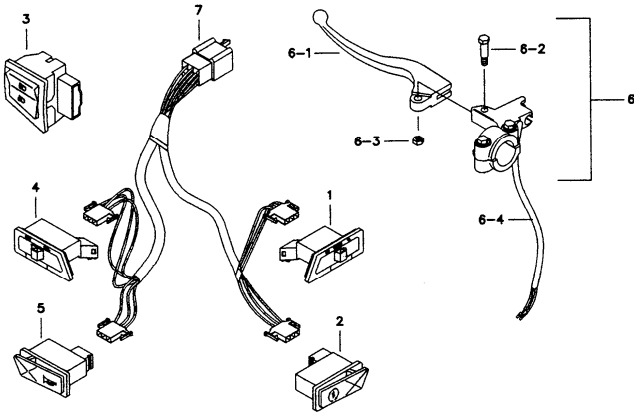
31 . HANDLE BAR COVER



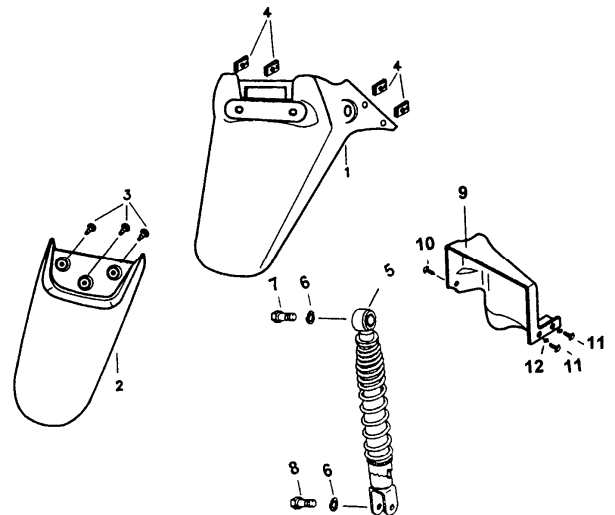
3101. WIND-SHIELD(OPTION)



3 2 . HANDLE BAR SWITCH

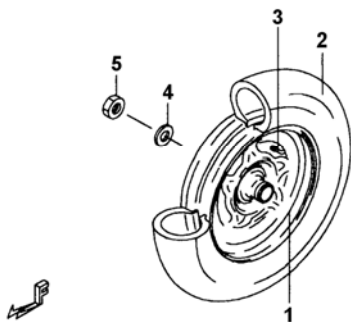


3 3 . REAR FENDER



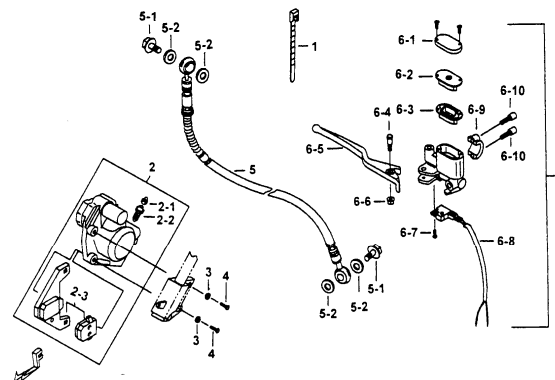
3 4 . REAR WHEEL

(FOR RIM COMP., REAR WHEEL 3.5-12)

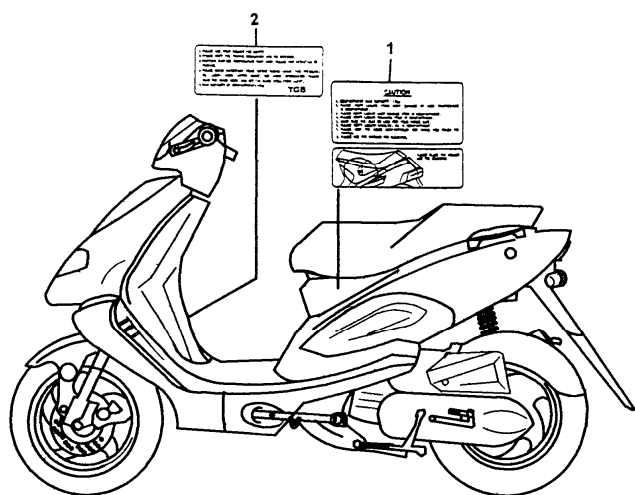


35 . CALIPER, MASTER CYLINDER

(FOR RIM COMP., FRONT WHEEL 3.5-12)



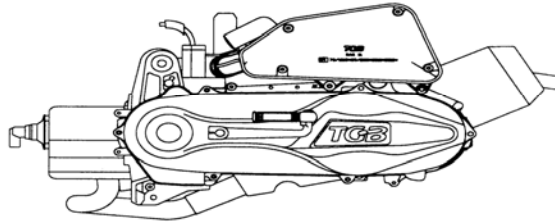
36. LABELS



0

ENGINE ASSY.

BR1



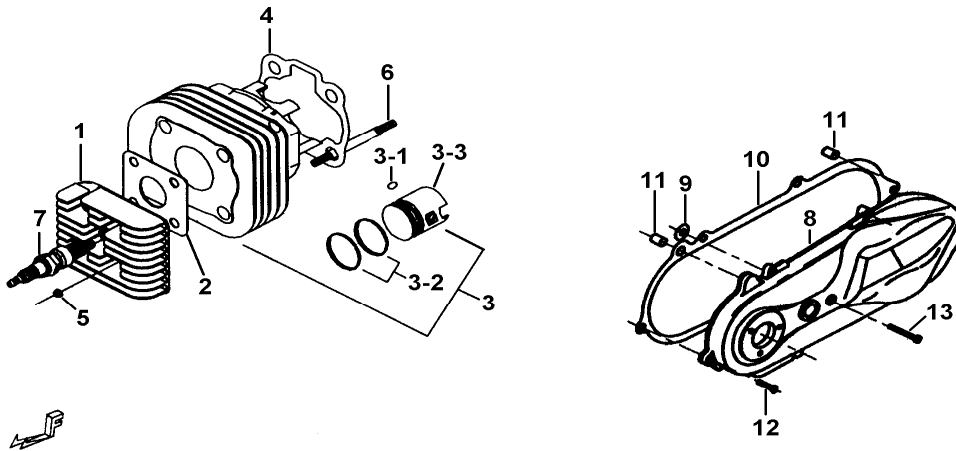
item_no	part_no	description	qty	amend	note1
---------	---------	-------------	-----	-------	-------

01	GI5530461U-1	ENGINE ASSY.(EURO 2)	1		
----	--------------	----------------------	---	--	--

1

CYLINDER AND CRANK CASE COVER

BR1

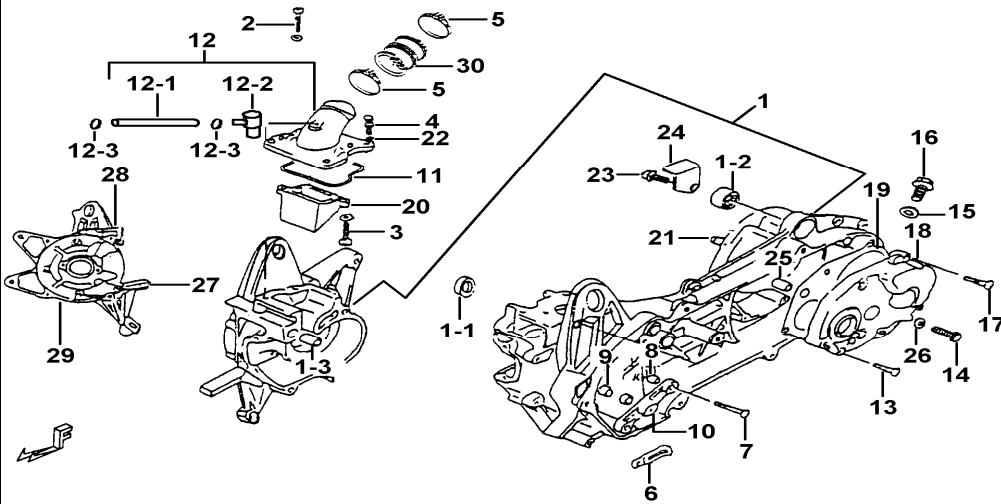


item_no	part_no	description	qty	amend	note1
01	GA504AL01	HEAD, CYLINDER	1		
02	GA504PK01	GASKET, CYLINDER HEAD	1		
03	GA5049911	CYLINDER SET, WITH PISTON, PISTON RING AND CIRCLIP	1		
03-1	GA505SR01	CIRCLIP ϕ 11	2		
03-2	GA5059905	RING SET, PISTON	1		
03-3	423046	PISTON	1		
04	GA504PK02	GASKET, CYLINDER	1		
05	GA504NT01	NUT, FLANGE M6	4		
06	GA504SC01	STUD M6X100	4		
07	GI5010005	SPARK PLUG BPR7HS	1		
08	GE501AL15	COVER, CLUTCH	1		
09	GA504PK11	WASHER	1		
10	GE501PK10	GASKET, CLUTCH	1		
11	GA504PN01	PIN, KNOCK 8.5x11x18	2		
12	S70610	SCREW, SOCKET HEAD M6x25	6		
13	S70611	SCREW, SOCKET HEAD M6x50	1		

2

CRANK CASE

BR1



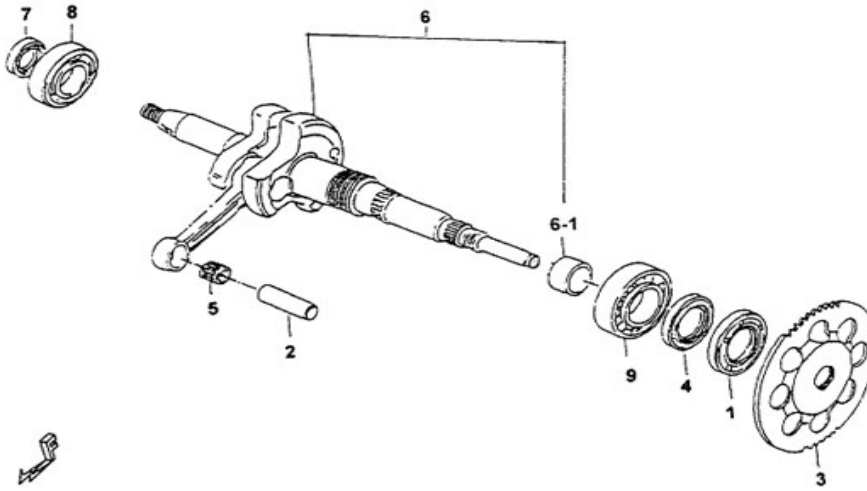
item_no	part_no	description	qty	amend	note1
01	422060	CRANK CASE COMP.	1		
01-1	GL502BR01YT	BEARING 17X35X10	2		
01-2	GA5049904	BUSH COMP.	1		
01-3	GA504PN01	PIN, KNOCK 8.5x11x18	2		
02	S79601	SCREW, SOCKET HEAD M6x20	3		
03	S79401	SCREW, SOCKET HEAD M4x20	2		
04	S71603	BOLT, BREAKABLE, HEX. HEAD M6X16	1		
05	422038	CLIP	2		
06	GA501SR01	CLAMP	1		
07	S70602	SCREW, HEX. SCCKET M6X1.0X25L	2		
08	GA504PN02	PIN, DOWEL 6.5x9x10	2		
09	GA504BS01	BUSH	1		
10	GA6029905	CAP SET, STARTER IDLE GEAR	1		
11	421008	GASKET, INTAKE PIPE	1		
12	421001A	PIPE ASSY., INTAKE	1		
12-1	GA605PP02	HOSE OIL	1		
12-2	GA5049909	VALVE ASSY., NON-RETURN	1		
12-3	R36501	CLIP	2		
13	S70602	SCREW, HEX. SCCKET M6X1.0X25L	5		
14	GA904SC12	BOLT, FLANGE M6X12	1		
15	GA504WS02	WASHER	1		
16	GA504SC12	BOLT, FLANGE 8X12	1		
17	S70603	SCREW, SOCKET HEAD M6x30	1		
18	GA602AL07	COVER, GEAR BOX	1		
19	GA504PK05	GASKET, GEAR BOX COVER	1		
20	GA5049907	VALVE ASSY., REED	1		
21	GA504PN03	PIN, BRAKE SHOE	1		
22	GA504WS04	WASHER, SPRING	1		
23	GA557SC15	BOLT, HEX. HEAD M6X10	1		

24	GA557PS01	BRKT, REAR BRAKE	1
25	GA504PN01	PIN, KNOCK 8.5x11x18	2
26	W99601	WASHER 6X12X2	1
27	S70606	SCREW, SOCKET HEAD M6x75	1
28	S70605	SCREW, SOCKET HEAD M6x85	1
29	S70601	SCREW, SOCKET HEAD M6X45	3
30	421002	RUBBER TUBE	1

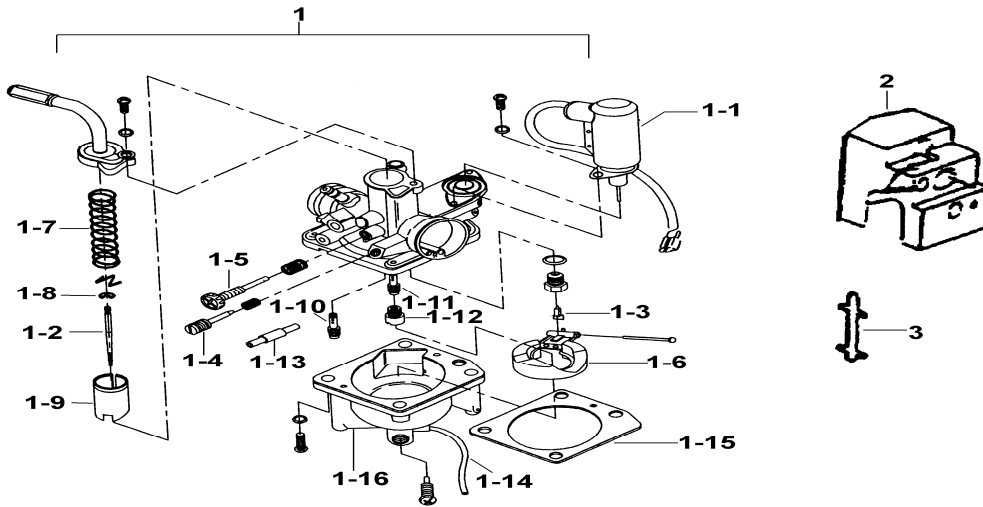
3

CRANK SHAFT

BR1



item_no	part_no	description	qty	amend	note1
01	GA505OS03	SEAL, OIL 24X43X6	1		
02	GA505PN01	PIN, PISTON	1		
03	GA505FE05	GEAR, STARTER	1		
04	GA505OS02	OIL SEAL, LH. 25X37X6	1		
05	GA505BR01A	BEARING, PISTON PIN 10X14X12.5	1		
06	GA5050006	CRANK SHAFT ASSY.	1		
06-1	GA505BS01	SPACER 18X24X14	1		
07	GA505OS01	OIL SEAL, RH. 17X27X6	1		
08	GA505BR03	BEARING, RH. 20X47X14	1		
09	GA505BR04	BEARING, LH. 25X52X13	1		

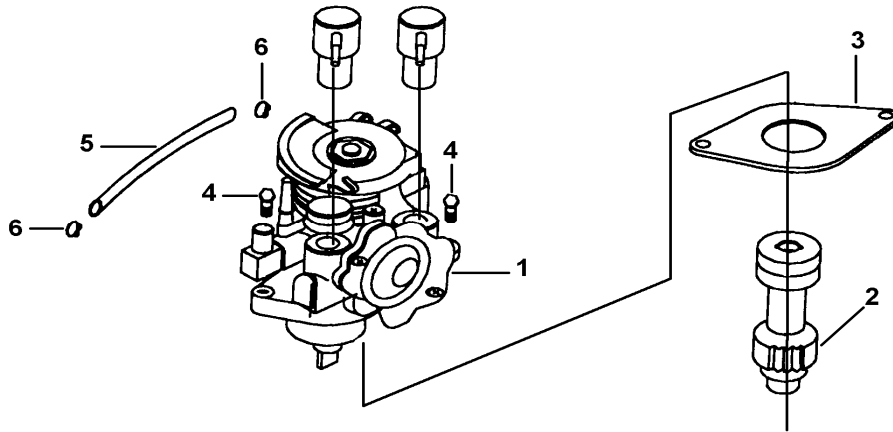


item_no	part_no	description	qty	amend	note1
01	424026A	CARBURETOR ASSY.	1		
01-1	GA5089905	ELEMENT ASSY., THERMO	1		
01-10	GA508CU13	IDLE JET	1		
01-11	424014	MAIN NOZZLE	1		
01-12	GA508CU01	MAIN JET M.J.60	1		
01-13	425016	OIL CHECK VALVE B (LINEAR TYPE)	1		
01-14	424018	CARBURETTOR DRAIN TUBE	1		
01-15	424031	GASKET SET	1		
01-16	424043	CHAMBER SET, FLOAT	1		
01-2	GA508AL01	NEEDLE, JET	1		
01-3	GA508FE05	VALVE, NEEDLE	1		
01-4	GA5089907	SCREW SET, AIR	1		
01-5	GA5089908	SCREW SET, IDLE SPEED	1		
01-6	GA508PL10	FLOAT	1		
01-7	424080	SPRING	1		
01-8	424012	SNAP RING C TYPE	1		
01-9	424013	VALVE, THROTTLE	1		
02	424000	FENDER, CARBURETOR	1		
03	424048	CLAMP	1		

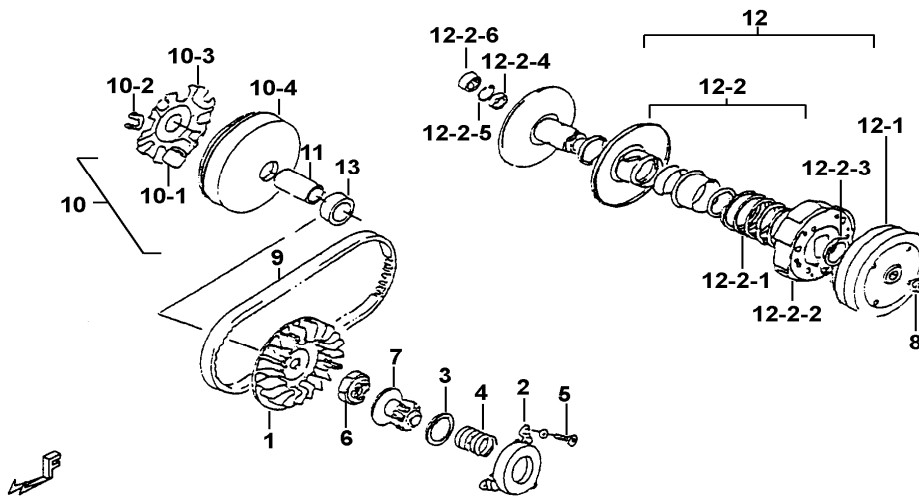
5

OIL PUMP

BR1



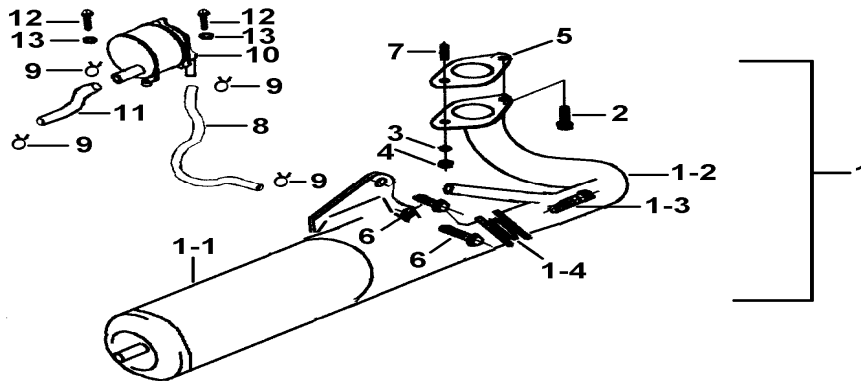
item_no	part_no	description	qty	amend	note1
01	425051	PUMP ASSY., OIL	1		
02	GA508PL01	GEAR, OIL PUMP DRIVEN	1		
03	GA508PK01	GASKET, OIL PUMP	1		
04	S79501	SCREW, SOCKET HEAD M5x16	2		
05	GA605PP02	HOSE OIL	1		
06	R36501	CLIP	2		



item_no	part_no	description	qty	amend	note1
01	GA906AL01A	FACE, FIXED DRIVE	1		
02	GA906FE01A	HOLDER, KICK DRN GEAR SPRING	1		
03	GA506WS02	WASHER	1		
04	GA506SP01	SPRING 30.5X24.9	1		
05	S79605	SCREW, SOCKET HEAD	3		
06	GA906FE04	STARTER, KICK RH.	1		
07	GA5069904	STARTER SET, KICK LH.	1		
08	GA501NT01	NUT, FLANGE M10	1		
09	GE506RB01	V-BELT, DRIVE	1		
10	490048	PULLEY COMP., DRIVE	1		
10-1	490045	ROLLER COMP., MOVABLE DRIVE FACE	6		
10-2	PG289931	GUIDE, MOVABLE DRIVE FACE PLATE	3		
10-3	490044	PLATE, FIXED DRIVE	1		
10-4	490041	FACE COMP., DRIVE MOVABLE	1		
11	A02806FE01	SPACER	1		
12	490291	PULLEY COMP., DRIVEN	1		
12-1	PG289933	HOUSING COMP., CLUTCH	1		
12-2	490051	PULLEY ASSY., DRIVEN	1		
12-2-1	PT506SP02	SPRING, MOVABLE DRIVEN FACE	1		
12-2-2	490498	CLUTCH ASSY., SHOE	1		
12-2-3	A02806NT01	NUT, HEX. M28	1		
12-2-4	490385	BEARING	1		
12-2-5	A02806SR01	CIR-CLIP	1		
12-2-6	490384	NEEDLE BEARING	1		
13	428000	SPACER 6.0	1		

701 MUFFLER (FOR EURO 2)

BR1

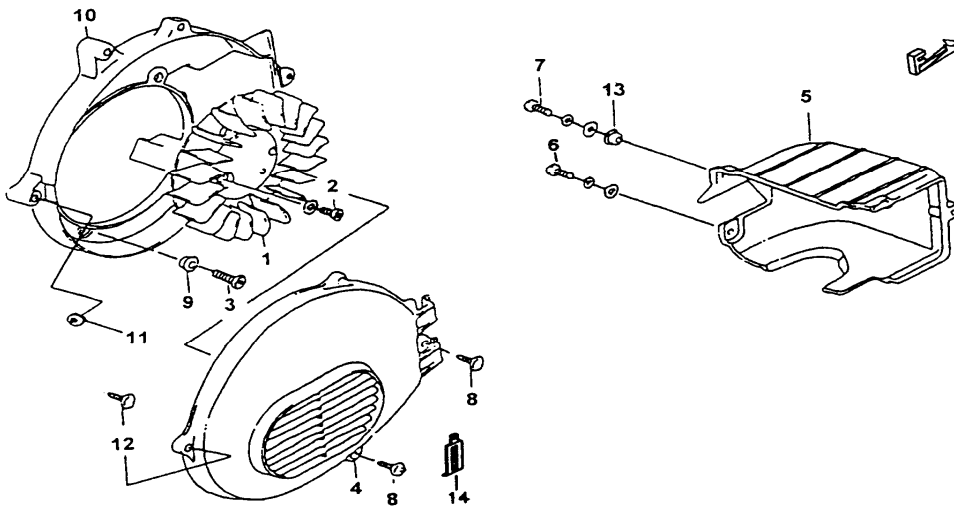


item_no	part_no	description	qty	amend	note1
01	426160	BODY COMP., MUFFLER(PROTECTING COVER, STAINLESS)	1		
01-1	426164	BODY(PROTECTING COVER, STAINLESS)	1		
01-2	426127	PIPE, MUFFLER	1		
01-3	S96803	SCREW, SPECIAL	2		
01-4	426104	GASKET, MUFFLER	2		
02	S96601	SCREW, SPECIAL	1		
03	GA504WS04	WASHER, SPRING	1		
04	GA509NT01	NUT, HEX. HEAD M6	1		
05	GA509PK01	GASKET, EXHAUST PIPE	1		
06	S21002	BOLT, FLANGE	2		
07	GA509SC06	STUD M6X25	1		
08	426080	HOSE, RUBBER	1		
09	R40902	CLIP	4		
10	426141	SECOND-AIR CONTROL ASSY.	1		
11	426085	HOSE, RUBBER	1		
12	S70607	SCREW, SOCKET HEAD M6X20	2		
13	W99602	WASHER 6.5X12X1.0	2		

8

COOLING FAN

BR1

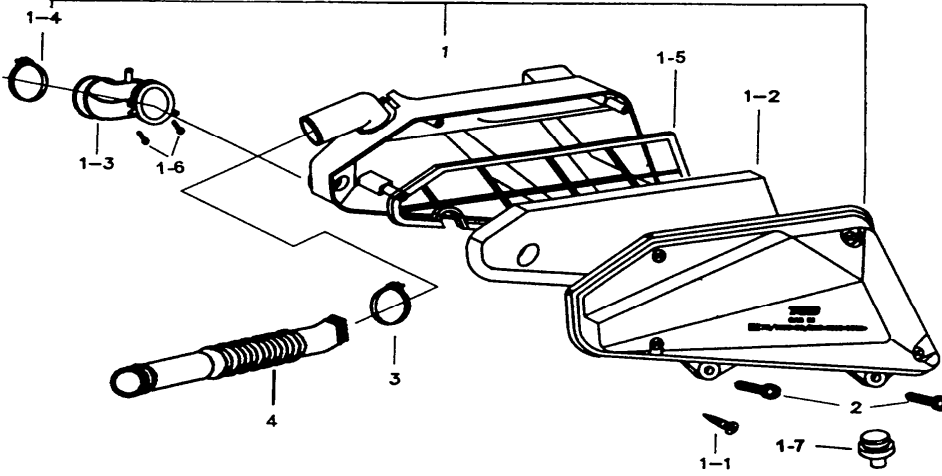


item_no	part_no	description	qty	amend	note1
01	427044	FAN, COOLING	1		
02	S79602	SCREW, SOCKET HEAD M6x16	4		
03	S70609	SCREW, SOCKET HEAD M6x16	4		
04	GA608PL11	COWLING, FAN	1		
05	427002E	COWLING, CYLINDER ASSY.	1		
06	S71602	SCREW, SOCKET HEAD M6x40	1		
07	S71601	SCREW, SOCKET HEAD M6X20	1		
08	GA509SC02	SCREW, TAPPING M6x20	4		
09	GA509WS05	WASHER 6X13X6	4		
10	GE508PL14	CASE, FAN	1		
11	420009	SPACER	1		
12	GA509SC20	SCREW, TAPPING	1		
13	427006	WASHER	1		
14	GA501SR01	CLAMP	1		

9

AIR CLEANER

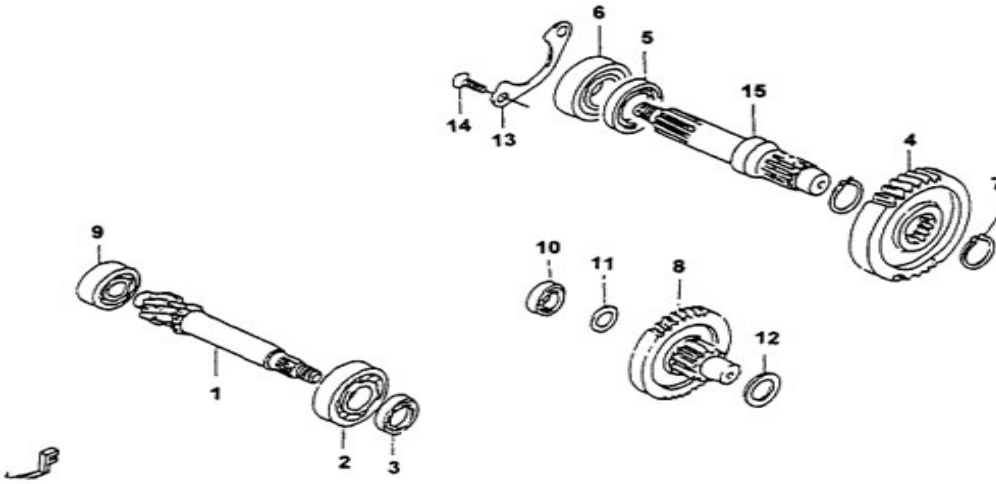
BR1



item_no	part_no	description	qty	amend	note1
01	420001	CLEANER ASSY., AIR	1		
01-1	S51502	SCREW, TAPPING	4		
01-2	420031	FILTER	1		
01-3	420003	TUBE, OUTLET	1		
01-4	422039	CLAMP. ϕ 38	1		
01-5	420041	DIVISION PLATE	1		
01-6	S50402	SCREW, TAPPING M4X10	2		
01-7	420072	PLUG, LEAK	1		
02	S70603	SCREW, SOCKET HEAD M6x30	2		
03	422037	CLIP ϕ 32	1		
04	GA904PL09	DUCT, COOLING	1		

10 REDUCING GEAR

BR1

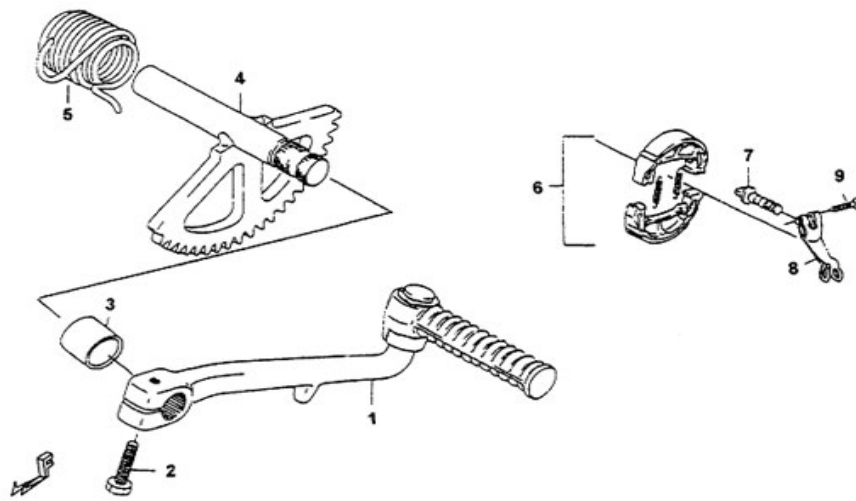


item_no	part_no	description	qty	amend	note1
01	427529	SHAFT, DRIVE 15T	1		
02	GA507BR04	BEARING, DRIVE SHAFT, LH. 17x47x14	1		
03	GA507OS01	OIL SEAL, DRIVE SHAFT 17x27x5	1		
04	427535	GEAR, FINAL DRIVEN 35T	1		
05	GA507OS02	OIL SEAL, REAL AXLE 27x40x6	1		
06	GA507BR06	BEARING, GEAR AXLE, RH. 20x47x14	1		
07	GA507SR02	CIRCLIP, FINAL DRIVEN GEAR ϕ 22	2		
08	427539	SHAFT COMP., IDLE 51T/10T	1		
09	GA507BR03	BEARING, DRIVE SHAFT, RH. 12X32X10	1		
10	GA507BR02	BEARING, IDLER, RH. 12x32x10	1		
11	GA507WS01	WASHER	1		
12	GA507WS02	WASHER, IDLE SHAFT, LH.	1		
13	GA507FE04	RETAINER, REAR AXLE BEARING	1		
14	GA507SC01	SCREW, BEARING RETAINER M6x16	2		
15	GE510FE02B	SHAFT, REAR AXLE	1		

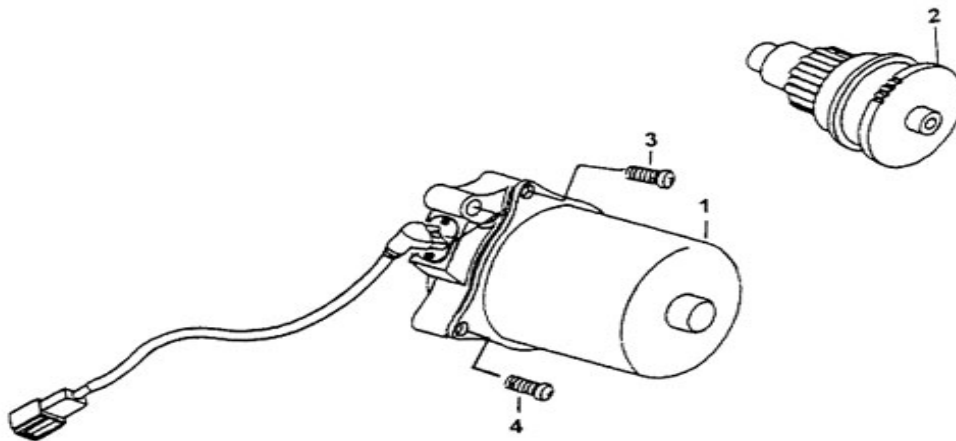
11

KICK STARTER

BR1



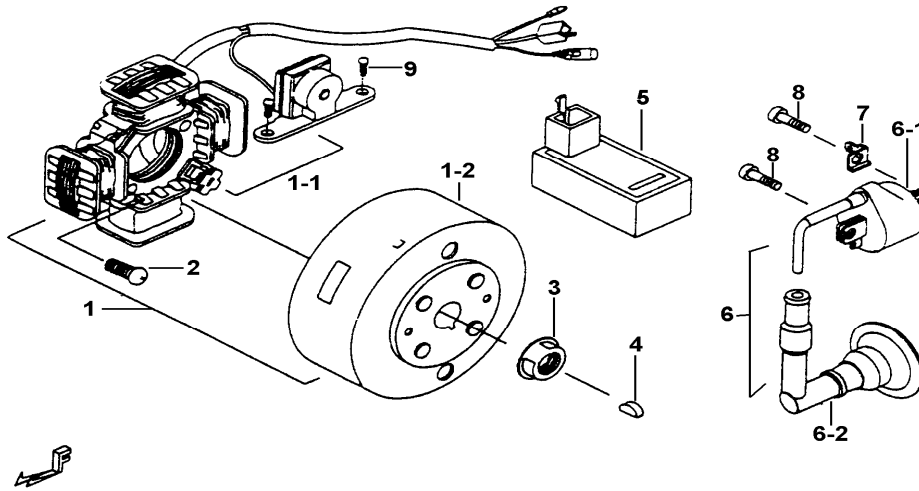
item_no	part_no	description	qty	amend	note1
01	GA9059911	LEVER ASSY., KICK STARTER	1		
02	GA905SC01	BOLT, HEX. HEAD M8X22	1		
03	GA505BS05	BUSH, KICK STARTER SHAFT	1		
04	GA5059910	SHAFT COMP., STARTER	1		
05	GA505SP01	SPRING, KICK STARTER SHAFT	1		
06	GA5580012	SHOE SET, REAR BRAKE	1		
07	GI534FE01	CAM, REAR BRAKE	1		
08	GI534FE02	LEVER, REAR BRAKE	1		
09	GA558SC05	BOLT, HEX. HEAD M6x28	1		



item_no	part_no	description	qty	amend	note1
01	GA9029901	MOTOR ASSY., STARTING	1		
02	GA9029902	PINION GEAR ASSY.	1		
03	S70602	SCREW, HEX. SCCKET M6X1.0X25L	1		
04	S70603	SCREW, SOCKET HEAD M6x30	1		

13 FLYWHEEL MAGNETO AND IGNITION COIL

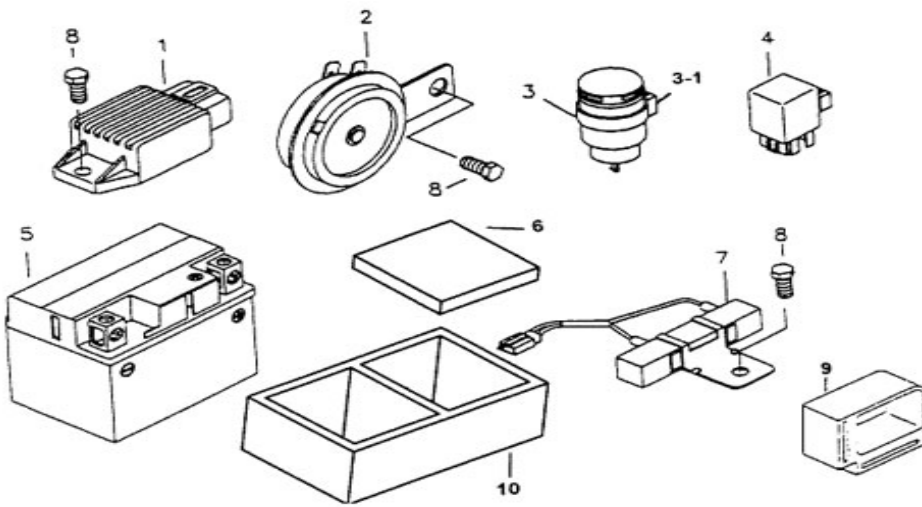
BR1



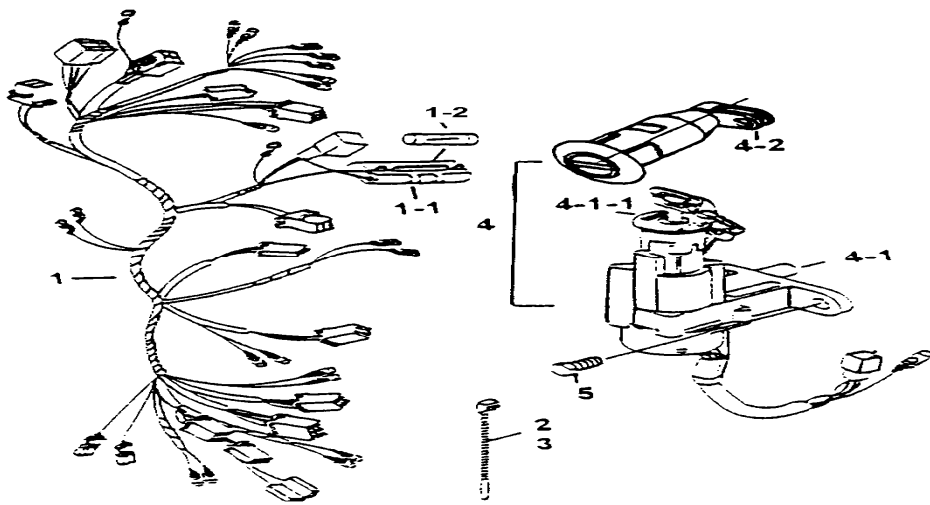
item_no	part_no	description	qty	amend	note1
01	440931	FLYWHEEL MAGNETO ASSY.	1		
01-1	GE5139904	STATOR ASSY.	1		
01-2	440938	ROTOR ASSY.	1		
02	S79603	SCREW, SOCKET HEADM6X25	2		
03	GA501NT01	NUT, FLANGE M10	1		
04	GA501KY01	KEY	1		
05	GE5139902	C.D.I (UNLIMITED SPEED)	1		
06	GE5139903	COIL ASSY., IGNITION	1		
06-1	GE5139906	COIL SET, IGNITION	1		
06-2	GE513RB01	CAP SET, SPARK PLUG	1		
07	440564	EARTH TERMINAL	1		
08	S70607	SCREW, SOCKET HEAD M6X20	2		
09	S79503	SCREW, SOCKET HEAD	2		

14 BATTERY, HORN, RELAY, RECTIFIER

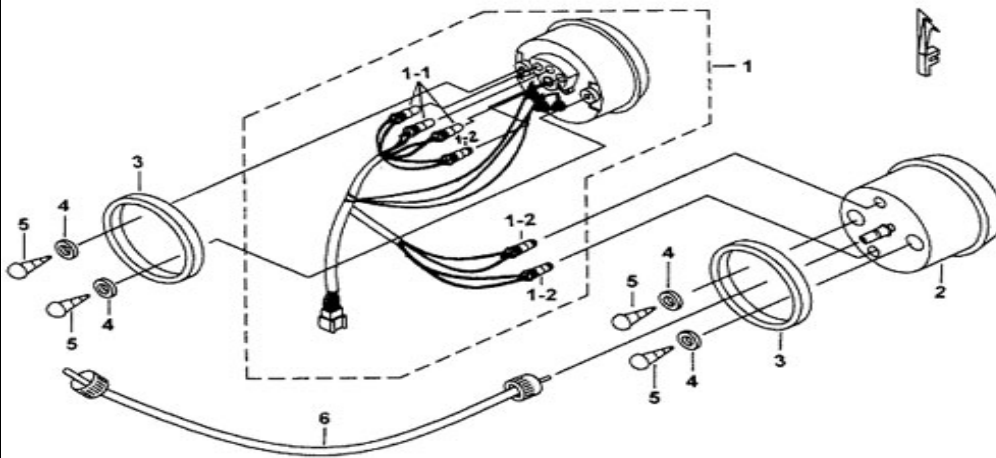
BR1



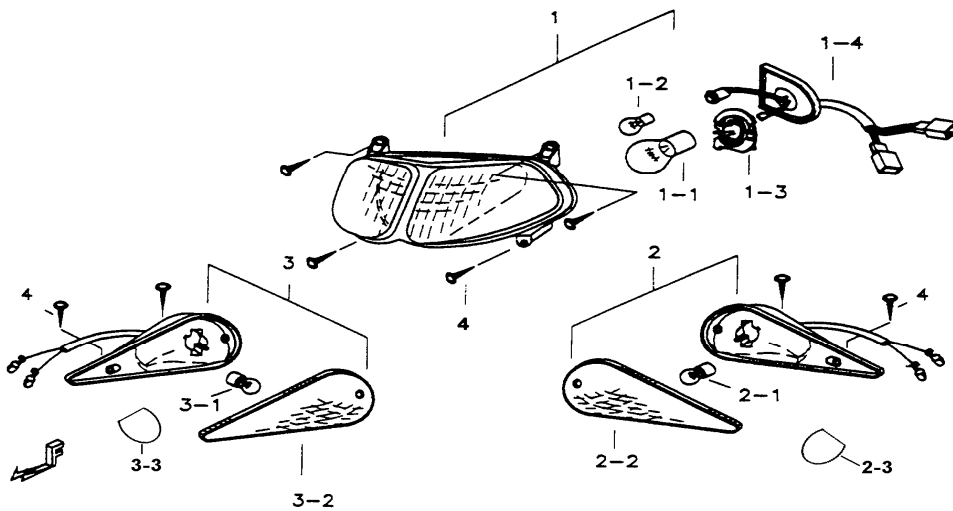
item_no	part_no	description	qty	amend	note1
01	GA5140001	RECTIFIER ASSY.	1		
02	GF5149906	HORN ASSY.	1		
03	440800A	RELAY, TURN SIGNAL	1		
03-1	440745	BUSH, RUBBER	1		
04	GA5100004	RELAY	1		
05	GA5140003	BATTERY, 4AH	1		
06	GF514TH02	CUSHION	2		
07	400587	RESISTOR SET	1		
08	GA510SC03	SCREW, HEX. HEAD M6X16	3		
09	GE514RB02	BUSH, RUBBER	1		
10	440767	CUSHION, BATTERY	1		



item_no	part_no	description	qty	amend	note1
01	440786	WIRING HARNESS	1		
01-1	GF5159906	CASE SET, FUSE	1		
01-2	GF5159907	FUSE 7A	1		
02	400535	CLAMP L300	2		
03	GA510SR02	CLAMP L200	1		
04	440795	LOCK ASSY.	1		
04-1	440794	LOCK SET, STEERING	1		
04-1-1	BH115PL01	CAP, INDICATOR	1		
04-2	440744-S	LOCK SET, SEAT	1		
05	S71603	BOLT, BREAKABLE, HEX. HEAD M6X16	2		



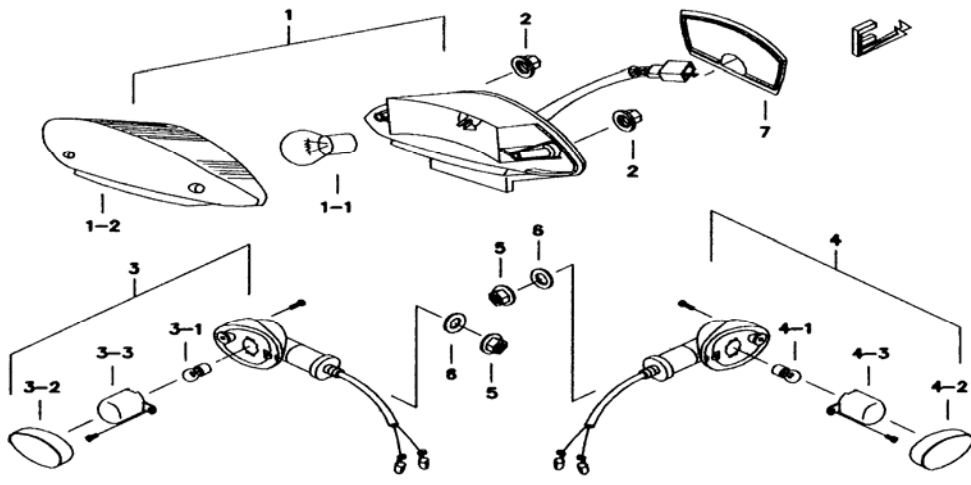
item_no	part_no	description	qty	amend	note1
01	457081	GAUGE ASSY., FUEL LEVEL (CHROMIUM PLATED)	1		
01-1	GA5520009	BULB (12V, 1.7W)	3		
01-2	410154	BULB, BLACK HEAD(12V,1.7W)	3		
02	457094	SPEEDOMETER ASSY. (CHROMIUM PLATED)	1		
03	GE516RB01	PACKING, RUBBER	2		
04	W99602	WASHER 6.5X12X1.0	4		
05	GA510SC01	SCREW, SOCKET HEAD M6X16	4		
06	402127	CABLE ASSY., SPEEDOMETER	1		



item_no	part_no	description	qty	amend	note1
01	450012	HEAD LAMP ASSY.	1		
01-1	GA5520019	BULB 12V, 35/35W	1		
01-2	400517	BULB 12V, 5W	1		
01-3	450016	STAY, MOUNTION	1		
01-4	450017	SOCKET COMP.	1		
02	450025	TURN SIGNAL LAMP COMP., LH. FRONT	1		
02-1	GF5170006	BULB, 12V, R10W	1		
02-2	450029	LENS, TURN SIGNAL, LH. FRONT	1		
02-3	450031	LENS	1		
03	450026	TURN SIGNAL LAMP COMP., RH. FRONT	1		
03-1	GF5170006	BULB, 12V, R10W	1		
03-2	450030	LENS, TURN SIGNAL, RH. FRONT	1		
03-3	450031	LENS	1		
04	GA552SC11	SCREW, TAPPING M4X16	8		

18 REAR LAMP CLUSTER

BR1

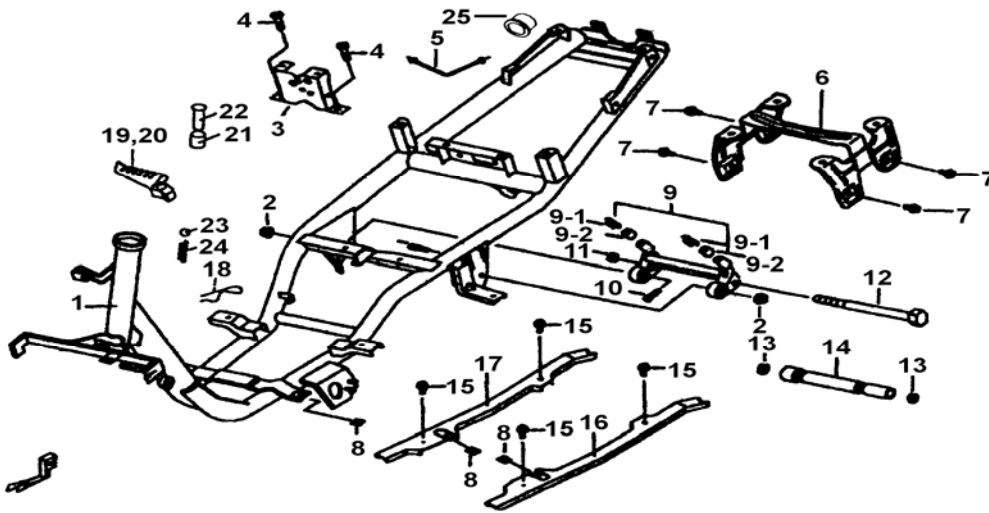


item_no	part_no	description	qty	amend	note1
01	451001	REAR LAMP ASSY.	1		
01-1	GF5180002	BULB 12V, P21/5W	1		
01-2	451007	LENS, REAR LAMP	1		
02	GA554NT04	NUT, FLANGE M6xP1.0	2		
03	451018	TURN SIGNAL LAMP COMP., LH.	1		
03-1	GF5170006	BULB, 12V, R10W	1		
03-2	451022	LENS, TURN SIGNAL LAMP., LH. REAR	1		
03-3	450031	LENS	1		
04	451019	TURN, SIGNAL LAMP COMP., RH.	1		
04-1	GF5170006	BULB, 12V, R10W	1		
04-2	451023	LENS, TURN SIGNAL LAMP., RH. REAR	1		
04-3	450031	LENS	1		
05	GA551NT02	NUT, FLANGE SELRLOCK M10x10	2		
06	W99005	WASHER	2		
07	451008	FENDER, REAR LAMP	1		

19

FRAME

BR1

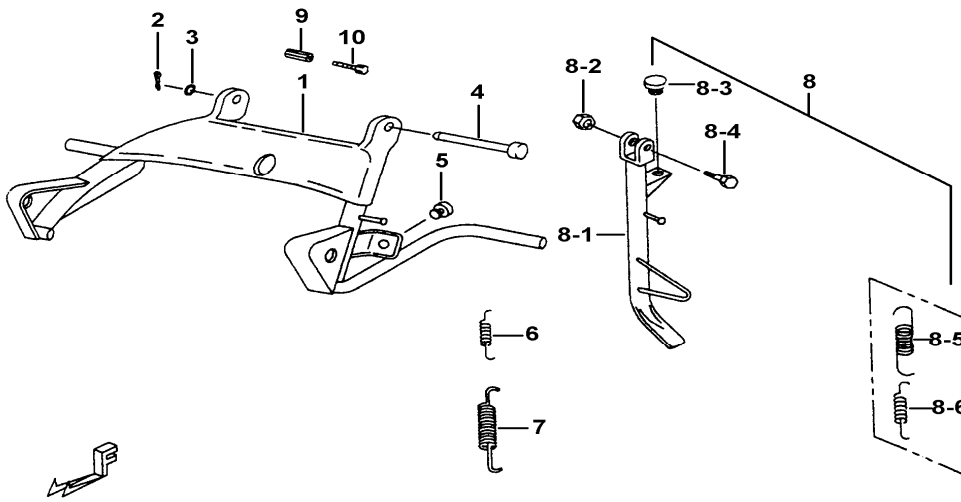


item_no	part_no	description	qty	amend	note1
01	411960	FRAME	1		
02	GA551NT01	NUT, SELFLOCK M10X1.0	2		
03	BH1199904	LOCK SET, SEAT	1		
04	GA556SC01	BOLT, FLANGE M6X1.0X12L	2		
05	410150	CABLE, LOCK SET, SEAT	1		
06	410177	BRKT COMP., HANDLE	1		
07	GA551SC02	BOLT	4		
08	N32601	NUT, SPRING	4		
09	BH1199903	ROCKER ARM ASSY., HANGER	1		
09-1	GI519SP01	SPRING, COMPRESSION	2		
09-2	GI519RB01	DAMPER, RUBBER	2		
10	S06101	BOLT, HANGER M10	2		
11	N25201	NUT, SELFLOCK M12X1.25	1		
12	S21203	BOLT, HEX. HEAD	1		
13	R00701	RETAINER RING, C TYPE ϕ 16	2		
14	BH102FE01	SLEEVE, HANGER	1		
15	GA556SC01	BOLT, FLANGE M6X1.0X12L	4		
16	402135	L REINFORCEMENT FLOOR COMP.	1		
17	402136	R REINFORCEMENT FLOOR COMP.	1		
18	GA551PN01	COTTER PIN 1.5X30	2		
19	GF519AL06	FOOTREST ASSY., PILLION, RH.	1		
20	GF519AL05	FOOTREST ASSY., PILLON, LH.	1		
21	GF519FE01	COLLAR, PIN 6X8X20	2		
22	GA551PN02	PIN 6X34	2		
23	GF519FE04	BALL ϕ 6.35	2		
24	GF519SP01	SPRING, COMPRESSION 6X12.5	2		
25	411972	RUBBER CAP	1		

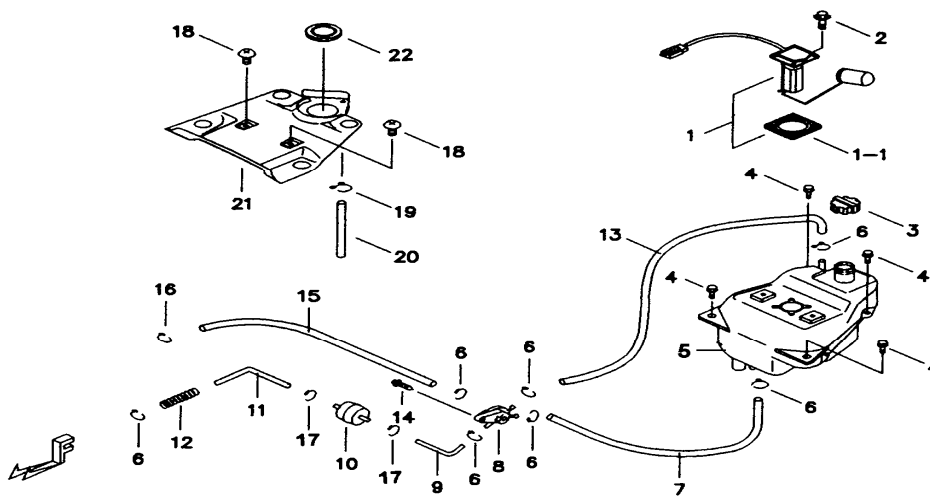
20

STAND

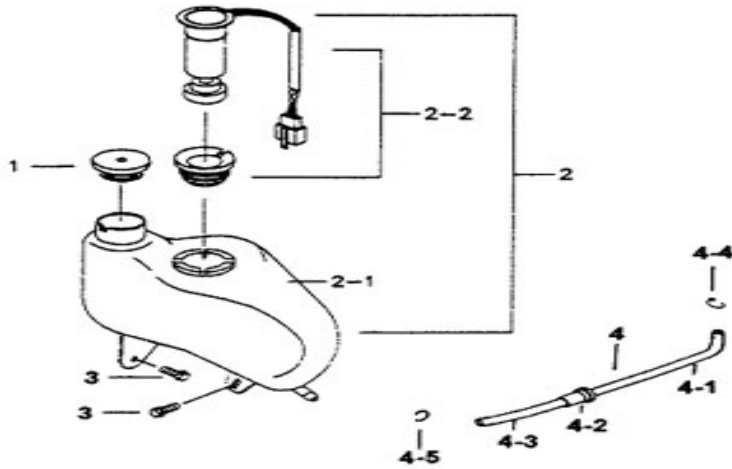
BR1



item_no	part_no	description	qty	amend	note1
01	402134	STAND COMP., MAIN	1		
02	GA551PN04	PIN, COTTER	1		
03	W99806	WASHER 8.5X16X2	1		
04	GA551PN03	SHAFT, MAIN STAND	1		
05	401904	DAMPER, RUBBER	1		
06	GA551SP04	SPRING 9X107X1.4	1		
07	GA551SP02	SPRING 16X114X2.8	1		
08	412005	STAND COMP., SIDE	1		
08-1	412020	SIDE STAND COMP.	1		
08-2	GA551NT02	NUT, FLANGE SELRLOCK M10x10	1		
08-3	GA551RB05	CUSHION	1		
08-4	GA551SC03	BOLT	1		
08-5	402160	SPRING, SIDE STAND	1		
08-6	402161	SPRING, SIDE STAND	1		
09	GA551NT03	NUT	1		
10	GA551SC04	BOLT	1		



item_no	part_no	description	qty	amend	note1
01	401813	GAUGE ASSY., FUEL LEVEL	1		
01-1	401710	GASKET	1		
02	S07501	BOLT,HEX HEAD	4		
03	402133	CAP COMP., FILLER	1		
04	GA555SC05	BOLT, OUTLET M6X1.0X16L	4		
05	412127	TANK, FUEL ASSY.	1		
06	R36801	CLIP ϕ 8.5	7		
07	412113	HOSE	1		
08	GA5539902	COCK ASSY., FUEL	1		
09	GA553PP04	HOSE 5X8X90	1		
10	GA5539904	FILTER, FUEL	1		
11	412121	HOSE	1		
12	GA553SP01	SPRING	1		
13	412130	HOSE	1		
14	GA553SC01	BOLT, FLANGE M6X1.0X16L	1		
15	BH121PP01	HOSE, NEGATIVE PRESSURE	1		
16	GA553SR04	CLIP ϕ 7.5	1		
17	R36901	CLIP	2		
18	GA555SC02	SCREW, AN HEAD	2		
19	GA553SR02	CLIP	1		
20	GA553PP02	HOSE	1		
21	412123	ORNAMENTAL SHIELD	1		
22	GA553RB02	WASHER	1		

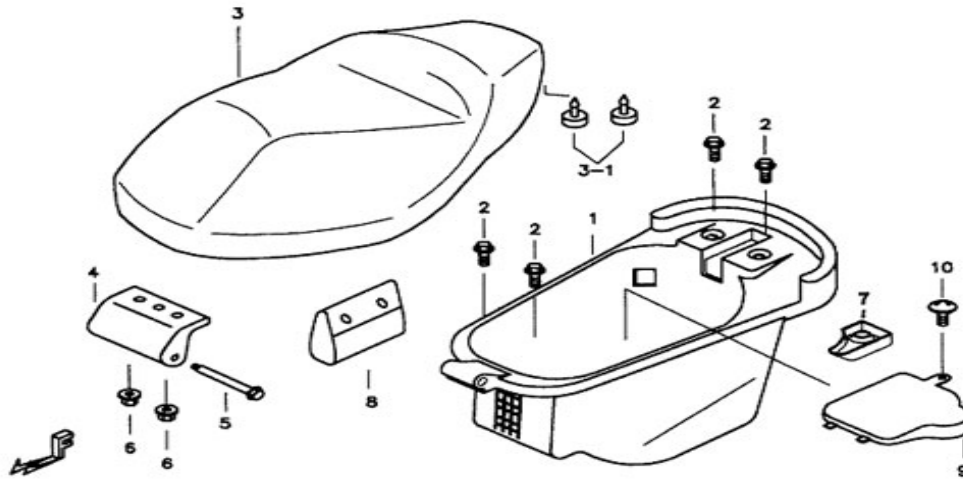


item_no	part_no	description	qty	amend	note1
01	GA553RB05	CAP, OIL TANK	1		
02	412200	TANK, OIL COMP.	1		
02-1	412201	TANK, OIL	1		
02-2	BH1229901	SWITCH ASSY., OIL LEVEL	1		
03	GA555SC05	BOLT, OUTLET M6X1.0X16L	2		
04	425055	CLEANER COMP., OIL	1		
04-1	425057	HOSE	1		
04-2	425005	CLEANER ASSY., OIL	1		
04-3	425044	HOSE	1		
04-4	R36801	CLIP ϕ 8.5	3		
04-5	R50901	CLIP ϕ 9.5	1		

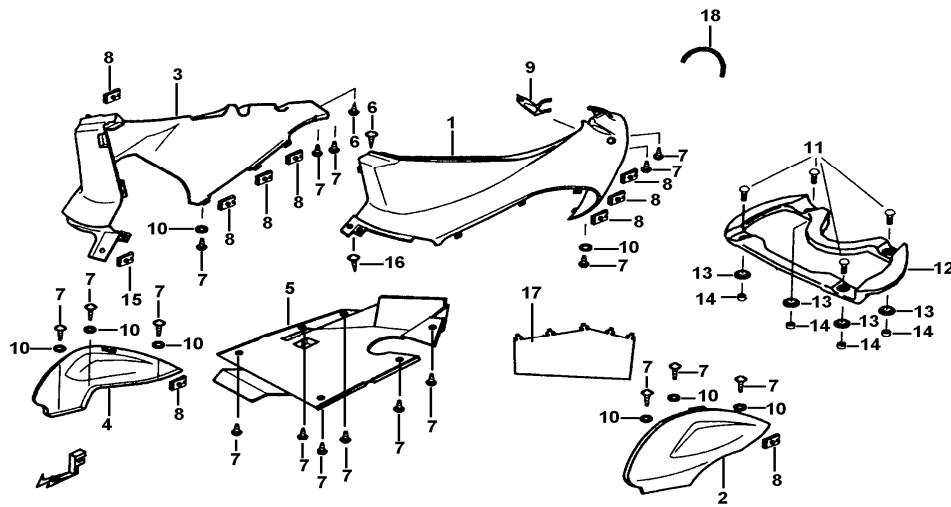
23

SEAT

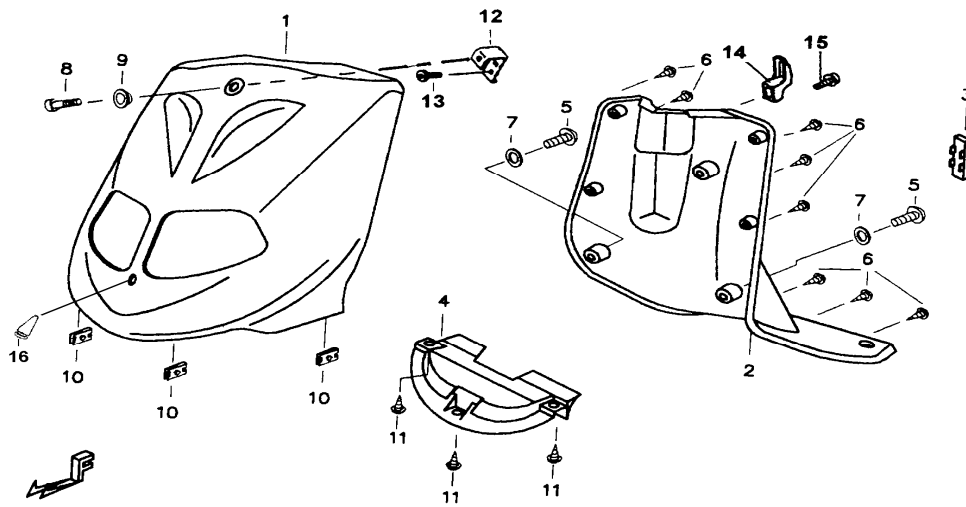
BR1



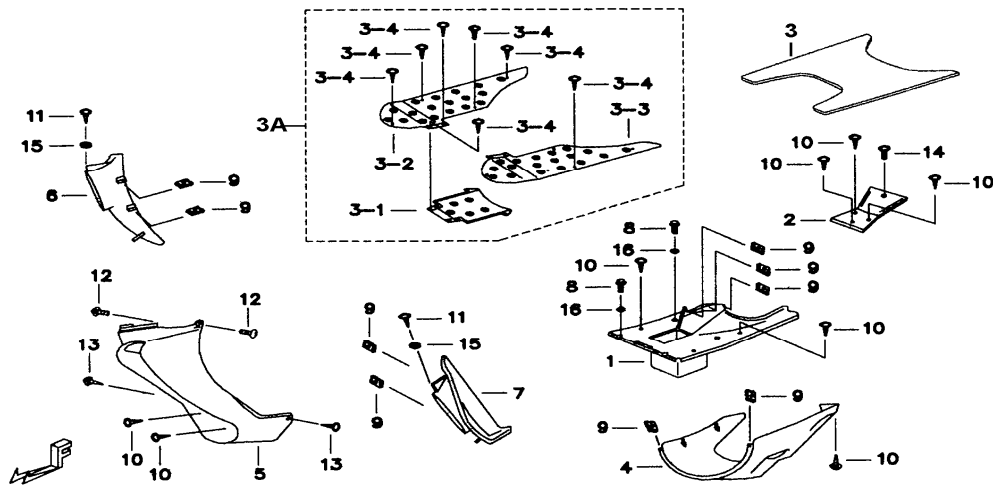
item_no	part_no	description	qty	amend	note1
01	452037	HELMET CASE	1		
02	S20606	BOLT, FLANGE M6X16	4		
03	452022	SEAT SET	1		
03-1	401904	DAMPER, RUBBER	2		
04	BH123FE01	BRKT, SEAT	1		
05	S47601	SCREW, RECESSED PAN HEAD M6X68	1		
06	GA554NT04	NUT, FLANGE M6xP1.0	2		
07	452023	OIL DRAIN CATCHER	1		
08	421516	PACKAGE, TOOL	1		
09	452014	CAP, HELMET CASE (BLACK)	1		
10	S45603	SCREW, OVAL HEAD M6x10	1		



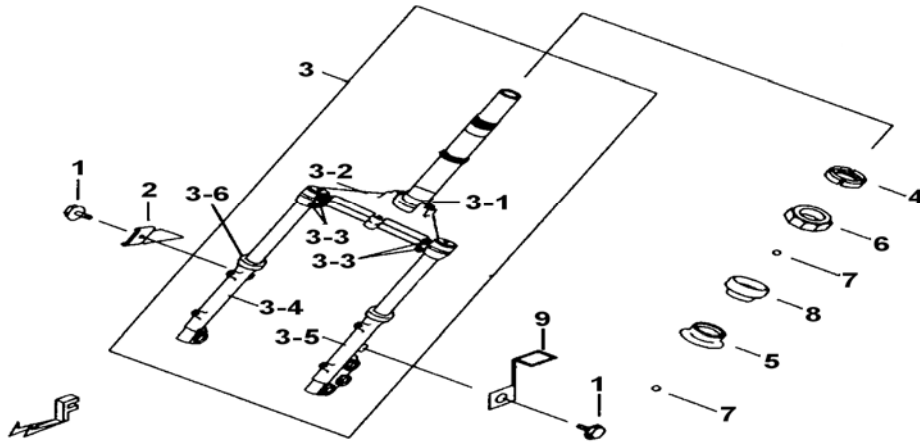
item_no	part_no	description	qty	amend	note1
01	453001	COVER, SIDE LH.	1		
02	453002	COVER, SMALL LH.	1		
03	453003	COVER, SIDE RH.	1		
04	453004	COVER, SMALL RH.	1		
05	452028A	BOTTOM PLATE, FUEL TANK	1		
06	S50401	SCREW TAPPING M4X12	2		
07	GA552SC05	SCREW TAPPING M4X16	18		
08	GA552NT01	NUT, SPRING M4	9		
09	401657	REED	1		
10	GA552WS05	WASHER	8		
11	S72802	BOLT, SOCKET	4		
12	402131	HANDLE (SILVER)	1		
12A	402131C	HANDLE (CHROMIUM PLATED)	1		
12B	412402FR	HANDLE (RED)	1		
12C	412402OR	HANDLE (ORANGE)	1		
12D	412402YE	HANDLE (YELLOW)	1		
13	402129	WASHER, RUBBER	4		
14	402130	SPACER	4		
15	N32501	NUT, SPRING M5	1		
16	S50402	SCREW,TAPPING M4X10	1		
17	452020	SPLASH APRON	1		
18	453007	ORNAMENTAL STRIP, REAR	1		



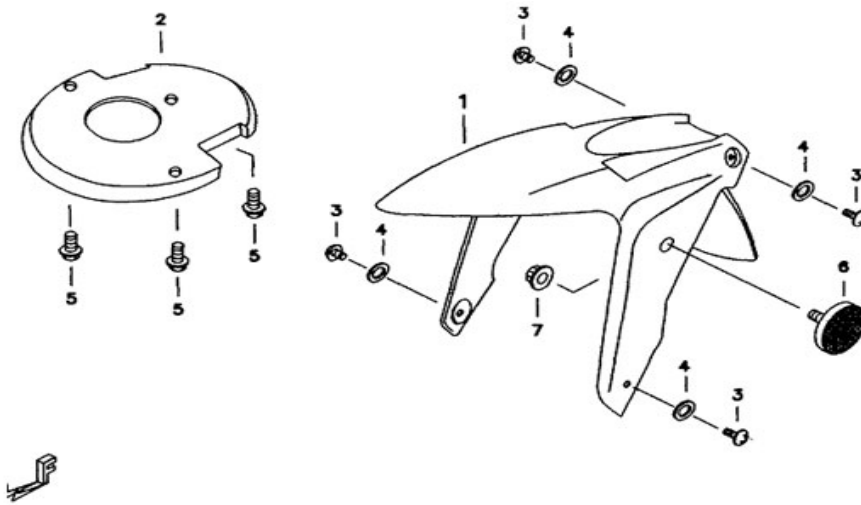
item_no	part_no	description	qty	amend	note1
01	401653	LEG SHIELD FRONT	1		
02	454010	COVER SET, LEG SHIELD	1		
03	BH125PL04	COVER SET, LEG SHIELD, SMALL	1		
04	401655	FRONT FENDER, INNER	1		
05	GA904SC26	SCREW, SOCKET HEAD M6X16	2		
06	S57501	SCREW, OVAL HEAD, FLANGE M5X14	8		
07	W99602	WASHER 6.5X12X1.0	2		
08	S72602	BOLT, HEX. HEAD	1		
09	GA555WS01	WASHER	1		
10	N31501	NUT, SPRING M5	3		
11	S57501	SCREW, OVAL HEAD, FLANGE M5X14	3		
12	401685	BRACKET	1		
13	S79602	SCREW, SOCKET HEAD M6x16	1		
14	454005	HOOK LUGGAGE	1		
15	GA558SC05	BOLT, HEX. HEAD M6x28	1		
16	454016	RUBBER PLUG	1		



item_no	part_no	description	qty	amend	note1
01	455001	LEG SHIELD, RAER	1		
02	455004	LID, BATTERY BOX	1		
03	455013	CUSHION, LEG SHIELD	1		
03-1	455023	MAT (MIDDLE). (AL)	1		
03-2	455015	MAT, LH. (AL)	1		
03-3	455016	MAT RH. (AL)	1		
03-4	S50406	SCREW, TAPPING M4X16	14		
03A	455025	MAT ASSY.(AL)	1		
04	455005	LEG SHIELD, LOWER	1		
05	455006	COVER, LOWER	1		
06	455003	PLATE, AIR INLET, RH.	1		
07	455002	PLATE, AIR INLET, LH.	1		
08	GA551SC09	BOLT, FLANGE M6X20	4		
09	GA552NT01	NUT, SPRING M4	12		
10	GA552SC11	SCREW, TAPPING M4X16	11		
11	S50401	SCREW TAPPING M4X12	2		
12	GA555SC02	SCREW, AN HEAD	2		
13	GA552SC11	SCREW, TAPPING M4X16	2		
14	GA510SC10	SCREW, HEX. HEAD M5X20	1		
15	GA552WS05	WASHER	2		
16	GA556WS02	WASHER	4		

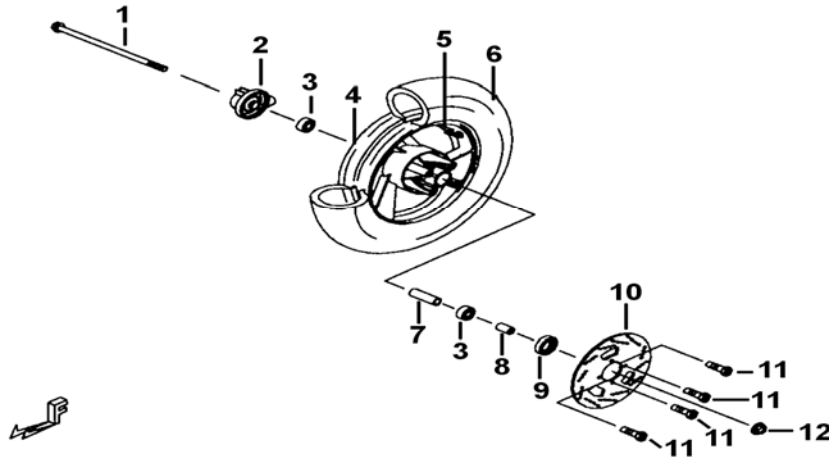


item_no	part_no	description	qty	amend	note1
01	GA556SC01	BOLT, FLANGE M6X1.0X12L	2		
02	GI527PS02	BRKT, CABLE, SPEEDOMETER	1		
03	412704	FORK COMP., FRONT	1		
03-1	GF527PS01	RACE, STEERING, OVTER, LOWER	1		
03-2	401970	CENTREL BAR ASSY.	1		
03-3	S20004	BOLT,FLANGE M10X30	4		
03-4	412705	FORK COMP., FRONT RH.	1		
03-5	412706	FORK COMP., FRONT LH.	1		
03-6	401876	SEAL, OIL	2		
04	GA556NT01	NUT, SLOTTED	1		
05	GF527PS02	RACE, STEERING INNER, LOWER	1		
06	GA556PS03	RACE, STEERING, INNER, UPPER	1		
07	GA556FE01	BALL	55		
08	GA556PS04	RACE, STEERING, INNER	1		
09	410155	BRKT, BRAKE HOSE	1		



item_no	part_no	description	qty	amend	note1
01	456004	FRONT FENDER	1		
02	456002A	FENDER, FIXED, FRONT	1		
03	GA555SC03	SCREW, AN HEAD M6X16	4		
04	GA556WS02	WASHER	4		
05	GA556SC01	BOLT, FLANGE M6X1.0X12L	3		
06	GF5189903	REFLECTOR ASSY., SIDE	2		
07	GA554NT04	NUT, FLANGE M6xP1.0	2		

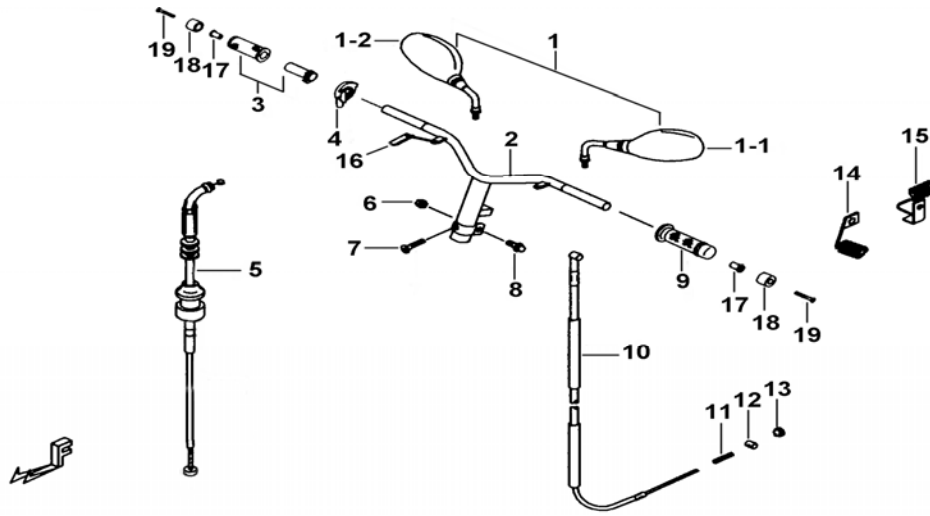
(FOR RIM COMP., FRONT WHEEL 3.5-13)



item_no	part_no	description	qty	amend	note1
01	GI529FE01	SHAFT, FRONT WHEEL 12X218	1		
02	GI5299901	GEAR COMP., SPEEDOMETER	1		
03	GI529BR01YT	BEARING 12X32X10	2		
04	412927AYFO	RIM COMP., FRONT WHEEL 3.5-13 (AL)(FLO. ORANGE)(POL.	1		
04A	412927AYWH	RIM COMP., FRONT WHEEL 3.5-13 (AL)(WHITE) (POLISHED)	1		
05	GF5299901	INLET COMP., AIR	1		
06	412900-S	TIRE 130/60-13	1		
07	401792	COLLAR SET	1		
08	GI529BS01	COLLAR	1		
09	GI529OS01	OIL SEAL 18X35X7	1		
10	410200Y	DISC, BRAKE 220mm	1		
11	GA558SC02	BOLT M8X1.25X15L	4		
12	N25201	NUT, SELFLOCK M12X1.25	1		

30 HANDLE BAR

BR1

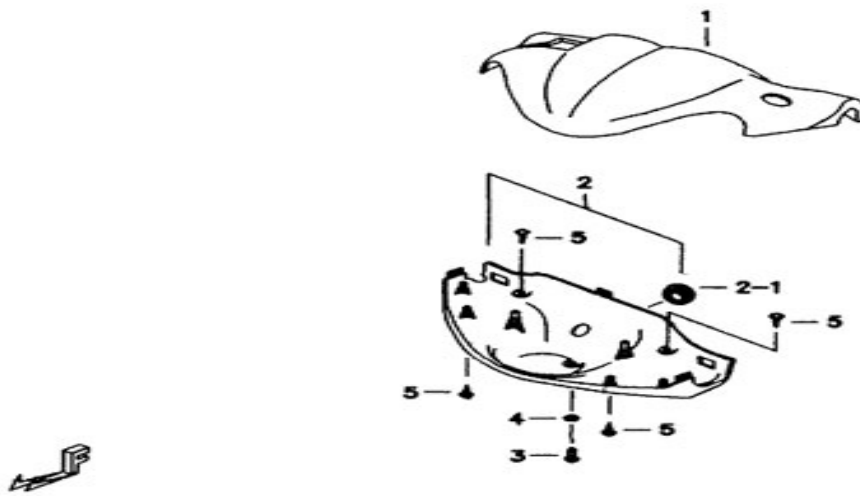


item_no	part_no	description	qty	amend	note1
01	410151	MIRROR ASSY., REAR VIEW	1		
01-1	410152	MIRROR, REAR VIEW, LH.	1		
01-2	410153	MIRROR, REAR VIEW, RH.	1		
02	413027	HANDLE BAR ASSY.	1		
03	401828	GRIP ASSY., RH.	1		
04	413073	THROTTLE HOUSING	1		
05	413069	CABLE, THROTTLE	1		
06	GA551NT01	NUT, SELFLOCK M10X1.0	1		
07	GA557SC02	SCREW, FLAT HEAD M8X35	1		
08	GA557SC01	BOLT, FLANGE M10X43	1		
09	401827	GRIP, LH.	1		
10	402128	CABLE, REAR BRAKE	1		
11	GF530SP01	SPRING 7X110X1.0	1		
12	GI530PN01	PIN, STOP ϕ 12X22	1		
13	GI530NT01	NUT, ADJUSTING M6X16	1		
14	GI5309907	BRKT, SET REAR BRAKE CABKE(MIDDLE)	1		
15	401702	BRKT, SET REAR BRAKE (REAR)	1		
16	GA501SR01	CLAMP	1		
17	401801	COLLAR	2		
18	401802	END, GRIP	2		
19	S35601	SCREW, FLAT HEAD	2		

31

HANDLE BAR COVER

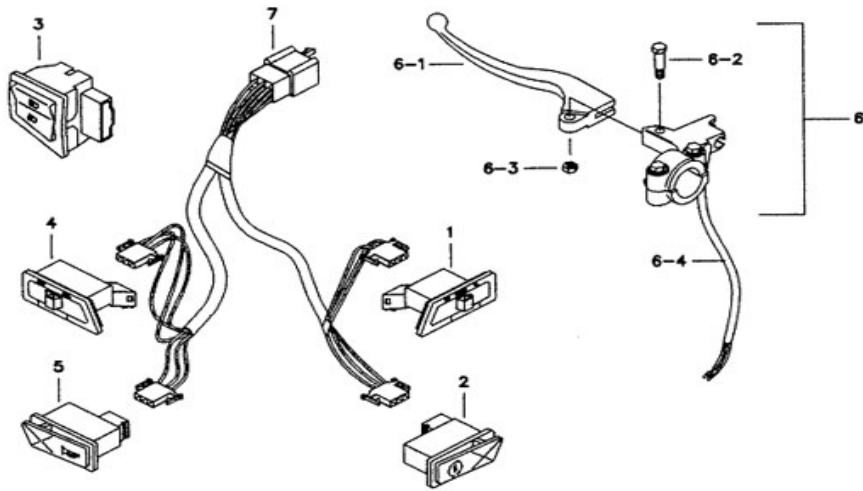
BR1



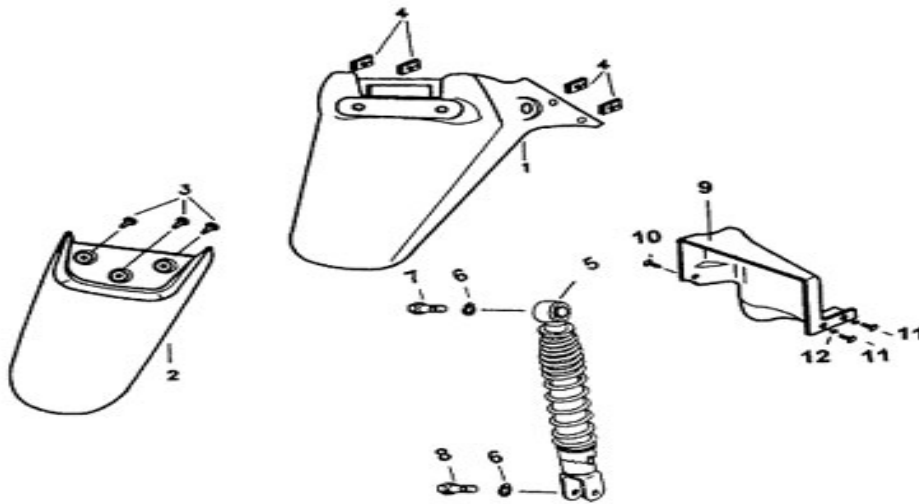
item_no	part_no	description	qty	amend	note1
01	401610	COVER, HANDLE BAR, UPPER	1		
02	457045A	COVER, HANDLE BAR, UNDER	1		
02-1	457025	RUBBER PLUG	1		
03	S46504	SCRWE, PAN HEAD M5X16	1		
04	GA552WS05	WASHER	1		
05	GA552SC11	SCREW, TAPPING M4X16	6		

32 HANDLE BAR SWITCH

BR1



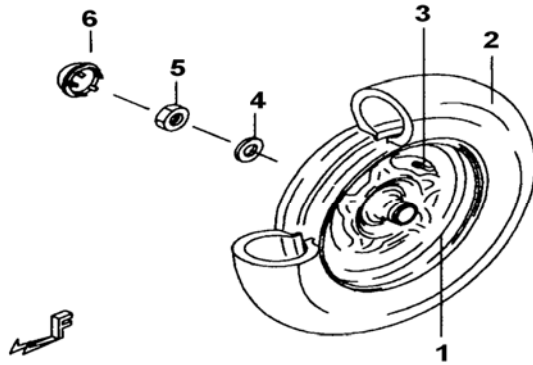
item_no	part_no	description	qty	amend	note1
01	400590	LIGHTING, SWITCH UNIT	1		
02	400591	STARTER SWITCH UNIT	1		
03	400592	BEAM SWITCH	1		
04	400593	WINKER SWITCH UNIT	1		
05	400594	HORN SWITCH UNIT	1		
06	400597	LEFT HANDLE BRACKET ASSY.	1		
06-1	413212	LEVER, HANDLE BAR, LH.	1		
06-2	S04501	BOLT, HEX HEAD	1		
06-3	N01501	NUT, SELFLOCK	1		
06-4	413211	SWITCH ASSY., BRAKE	1		
07	440710	HANDLE SWITCH UNIT, WIRING HARNESS	1		



item_no	part_no	description	qty	amend	note1
01	458013	FENDER, REAR UPPER	1		
02	458002	FENDER, REAR, LOWER	1		
03	S50401	SCREW TAPPING M4X12	3		
04	GA552NT01	NUT, SPRING M4	4		
05	410158	ABSORBER ASSY., SHOCK, REAR	1		
05A	410158FO	ABSORBER ASSY., SHOCK, REAR(FLO.ORANGE)	1		
06	GA556WS06	WASHER, SPRING 10.2X3.7X2.5t	2		
07	GA556SC03	BOLT, HEX. HEAD M10X1.25X40L	1		
08	GA556SC04	BOLT, HEX. HEAD 10X34	1		
09	458004	SPLASH BOARD	1		
10	S50506	SCREW, TAPPING	1		
11	S70609	SCREW, SOCKET HEAD M6x16	2		
12	GA556WS02	WASHER	2		

3401 REAR WHEEL (FOR 13" RIM)

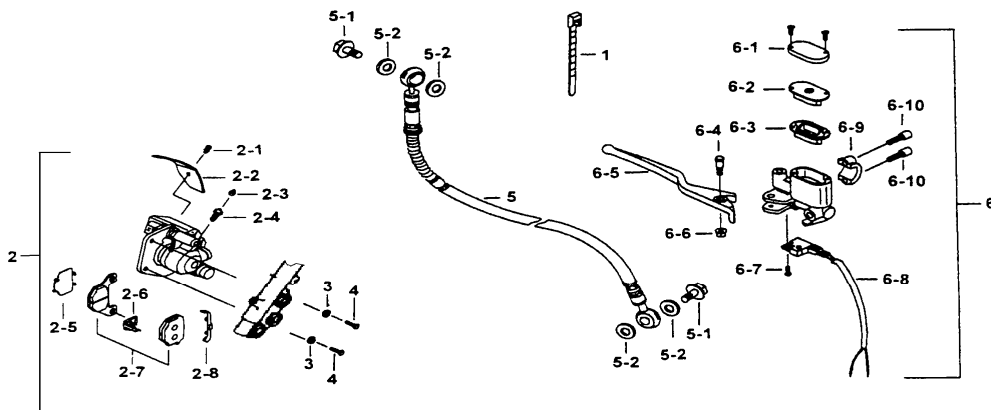
BR1



item_no	part_no	description	qty	amend	note1
01	413400AYFO	RIM COMP., REAR WHEEL 3.5-13 (AL)(FLO.ORANGE)(POLISH)	1		
01A	413400AYWH	RIM COMP., REAR WHEEL 3.5-13 (AL)(WHITE)(POLISHED)	1		
02	412900-S	TIRE 130/60-13	1		
03	GF5299901	INLET COMP., AIR	1		
04	GA558WS01	WASHER	1		
05	GA558NT03	NUT, SELFLOCK M16X14	1		
06	410184	COVER, RING	1		

3501 CALIPER, MASTER CYLINDER (FOR 13" RIM)

BR1

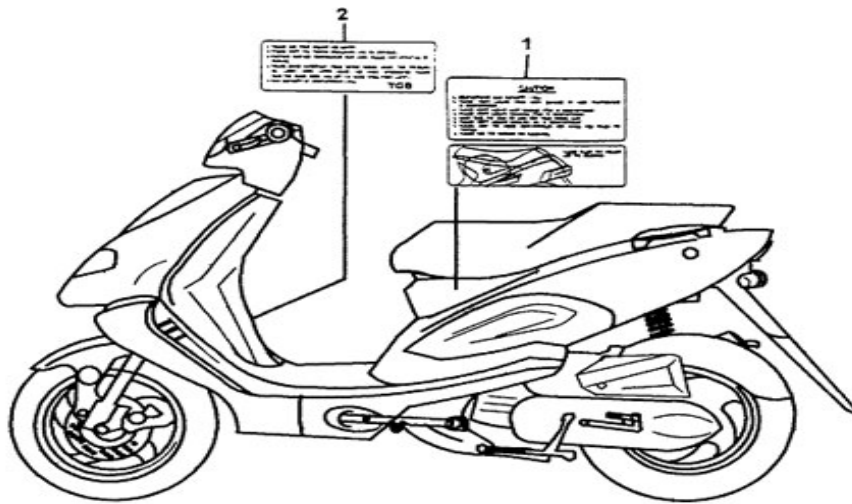


item_no	part_no	description	qty	amend	note1
01	GA510SR01	CLAMP	1		
02	413602Y	CALIPER	1		
02-1	S43501	BOLT	1		
02-2	413607	DUST COVER	1		
02-3	GA559RB01	CAP, GUARD	1		
02-4	GA559SC01	BOLT, FLANGE	1		
02-5	413608	PLATE, WASHER	1		
02-6	413609	SPRING PLATE	1		
02-7	413610	PAD ASSY.	1		
02-8	413611	SPRING PLATE	1		
03	W99805	WASHER	2		
04	GA558SC03	BOLT, HEX. HEAD	2		
05	413615	HOSE ASSY., FRONT BRAKE	1		
05-1	S21001	OIL BOLT M10X1.25X22L	2		
05-2	GA559WS04	WASHER, 10.2X15X1.2t	4		
06	401656	MASTER CYLINDER	1		
06-1	402178	COVER, MASTER CYLINDER	1		
06-2	402179	DIAPHRAGM CAP	1		
06-3	402180	DIAPHRAGM	1		
06-4	S04602	BOLT, HEX. HEAD	1		
06-5	402181	LEVER, HANDLE BAR, RH.	1		
06-6	N10602	NUT	1		
06-7	S43401	BOLT	1		
06-8	402182	LIMITEED SWITCH ASSY.	1		
06-9	402183	MASTER CYLINDER HOLDER	1		
6-10	S70610	SCREW, SOCKET HEAD M6x25	2		

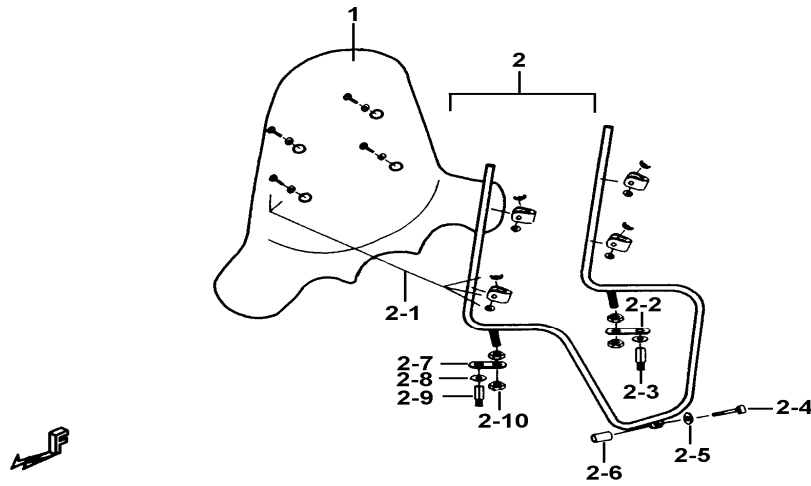
36

LABELS

BR1



item_no	part_no	description	qty	amend	note1
01	GF523TH04	LABEL, LUGGAGE BOX	1		
02	GF525TH12	LABEL, WARNING	1		



item_no	part_no	description	qty	amend	note1
01	457029	WIND-SHIELD	1		
02	457041	FIXED ROD SET	1		
02-1	457046	BLOT SET	4		
02-10	GA551NT04	NUT, HEX. HEAD M8	4		
02-2	457026	PLATE, RH.	1		
02-3	457044	SPACER, RH.	1		
02-4	S70611	SCREW, SOCKET HEAD M6x50	1		
02-5	W99605	WASHER	1		
02-6	457050	SPACER	1		
02-7	457027	PLATE, LH.	1		
02-8	W99812	WASHER 1.5t	2		
02-9	457043	SPACER, LH.	1		