



SPARE PARTS
Model : BH1

台灣金蜂股份有限公司
TAIWAN GOLDEN BEE CO.,LTD.

BH1 TABLE OF COLORED PART FOR FRANCE (SIMA)

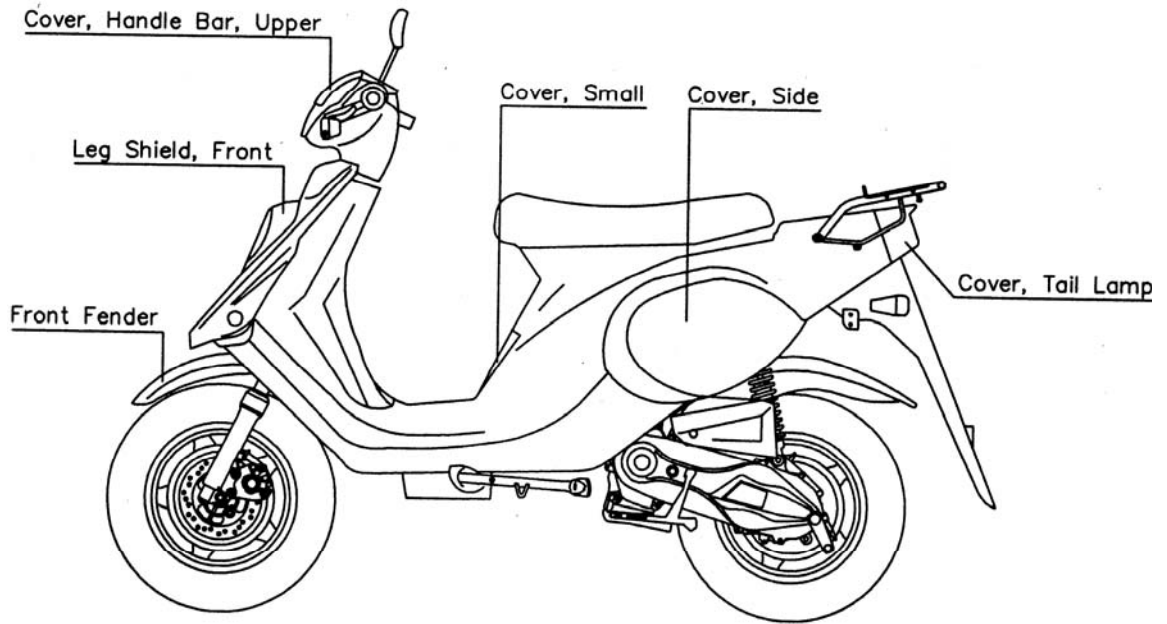


TABLE OF COLORED PART					
ITEM NO.	CODE	A	B	C	D
	Description	Pearly Black	Silver Gray	Electroplate Blue	Mat Black
		PA Bla 801	SG Sil 701	EU Blu 702	MB Bla 603
24	Cover , Side With Emblem	BH124PL01APALG	BH124PL01ASGLG	BH124PL01AEULG	BH124PL01AMBLG
	Cover , Side	BH124PL01APA	BH124PL01ASG	BH124PL01AEU	BH124PL01AMB
	Emblem, Side Cover, LH.(TGB)	459586	459586	459586	459586
	Emblem, Side Cover, RH.(TGB)	459587	459587	459587	459587
	Emblem, Side Cover, LH.	459536	459536	459536	459536
	Emblem, Side Cover, RH.	459537	459537	459537	459537
	“ CITY 2” Emblem	459609	459609	459609	459609
	Cover , Small	BH124PL04PA	BH124PL04SG	BH124PL04EU	BH124PL04MB
	Cover , Tail Lamp	BH124PL03PA	BH124PL03SG	BH124PL03EU	BH124PL03MB
25	Leg Shield , Front With Emblem	BH125PL01PAF1	BH125PL01SGF1	BH125PL01EUF1	BH125PL01MBF1
	Leg Shield , Front	BH125PL01PA	BH125PL01SG	BH125PL01EU	BH125PL01MB
	“TGB” Emblem	459102	459102	459102	459102
28	Front Fender	BH128PL01PA	BH128PL01SG	BH128PL01EU	BH128PL01MB
31	Cover , Handle Bar , Upper	BH131PL01PA	BH131PL01SG	BH131PL01EU	BH131PL01MB

SUMMARY

1. HOW TO READ PARTS LIST :

1.1 AT FIRST TO JUDGE IN WHICH GROUP YOUR PART BELONG TO, FIND OUT GROUP NUMBER IN THE CONTENTS, NO.1-NO.11 ARE ENGINE PARTS, NO.12-NO.15 ARE ELECTRIC PARTS, NO.16-NO.36 ARE FRAME PARTS.

1.2 ACCORDING TO GROUP NUMBER FIND OUT THE DRAWING ON THAT UPPER SIDE PAGE.

1.3 FROM THE ITEM OF THE PART ON THE DRAWING, FIND THE PART NO., DESCRIPTION,REQUIRED QUANTITY.

1.4 USE THIS PART NO. DESCRIPTION AND QUANTITY TO ORDER.

2. COLOR CODE AND EMBLEM CODE:

2.1 COLOR CODE ATTACH TO PART NO. MUST BE TWO ALPHABETS, USE AT DIFFERENT COLOR PART ONLY.

2.2 EMBLEM CODE ATTACH TO COLOR CODE, MUST BE ONE ALPHABET AND ONE ARABIC NUMBER OR TWO ALPHABET, USE AT DIFFERENT COLOR EMBLEM ONLY. ANY EMBLEM WITHOUT DIFFERENT COLOR DON'T NECESSARY EMBLEM CODE.

2.3 WHEN YOU ORDER PARTS THAT HAVE DIFFERENT COLOR,PLEASE PICK UP THE RIGHT PART OR EMBLEM FROM " TABLE OF COLORED PARTS " (PAGE I).

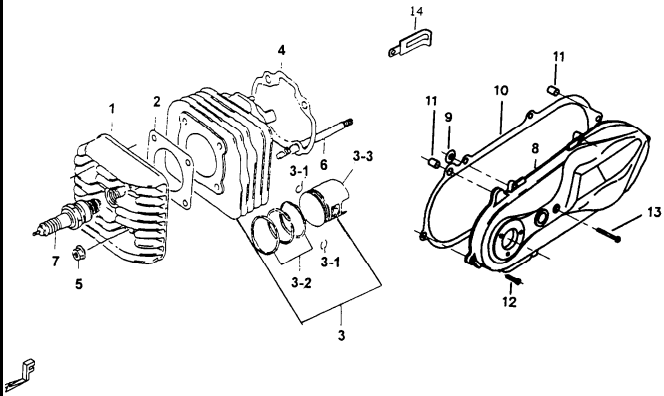
3. AMEND. CODE : INDICATES THE LAST 6 NUMBERS OF FRAME NUMBER TO DISTINGUISH THE SCOOTER BEEN MODIFIED. EXAMPLE :

" ← 518034 " MEANS SCOOTERS BEFORE " □□□□□□□□□□518034 " .

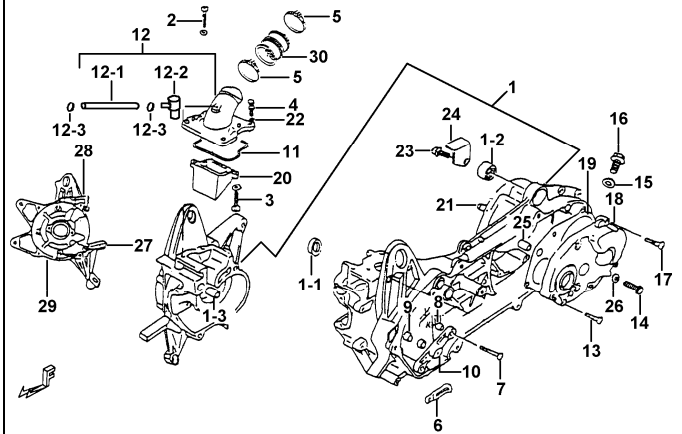
" 518035 → " MEANS SCOOTERS AFTER " □□□□□□□□□□518035 " .

4. IF ANY MODIFICATION AFTER PUBLISHING,WE'LL SEND YOU THE AMENDMENT, PLEASE CORRECT YOUR PARTS LIST RIGHT AWAY.

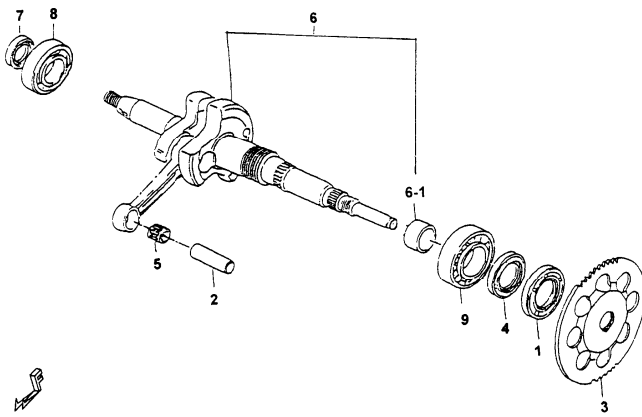
1. CYLINDER AND CRANK CASE COVER



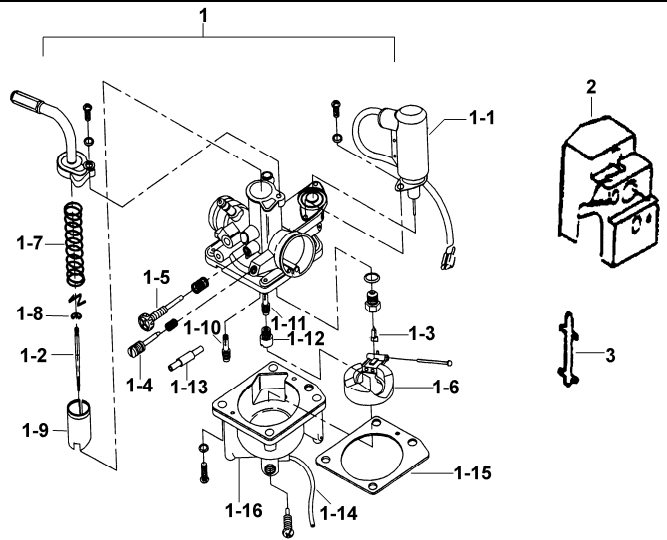
2. CRANK CASE



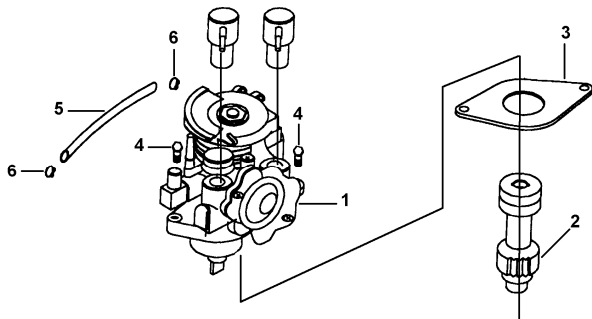
3. CRANK SHAFT



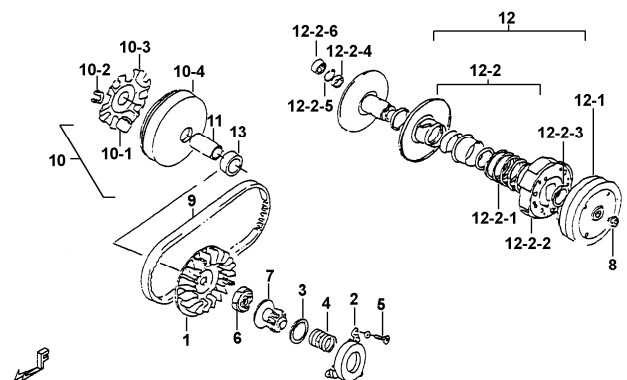
4. CARBURETOR



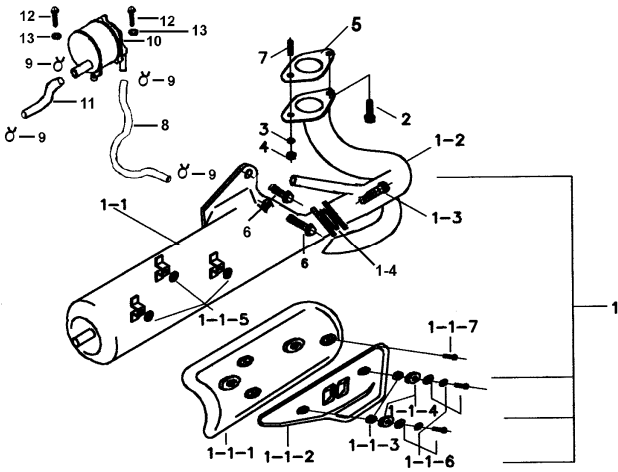
5. OIL PUMP



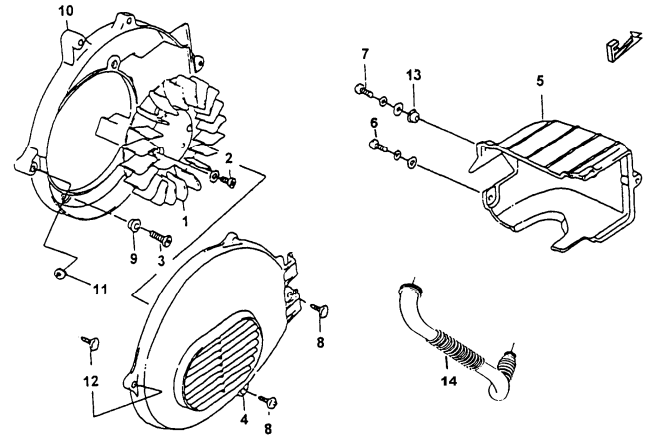
6. CONTINUOUS VARIABLE TRANSMISSION



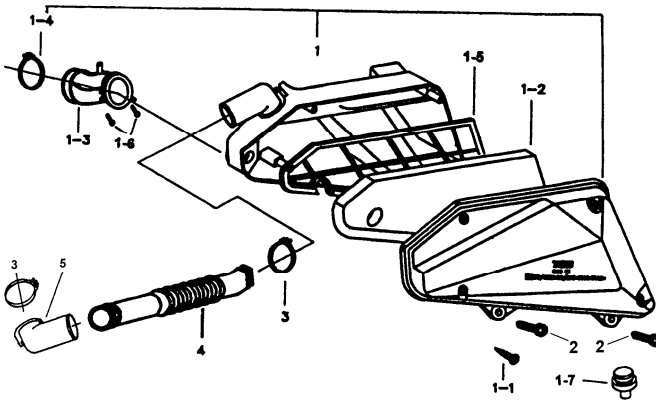
7. MUFFLER



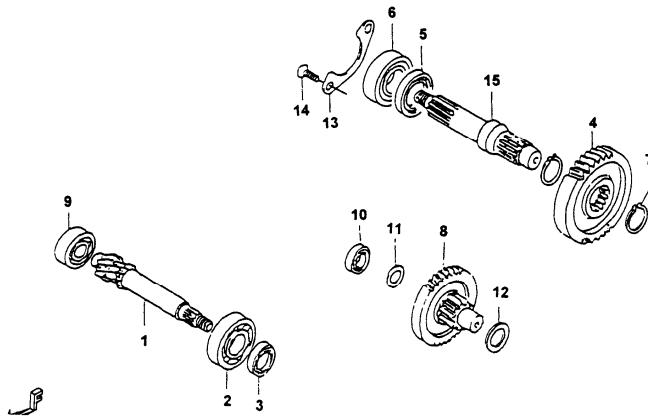
8. COOLING FAN



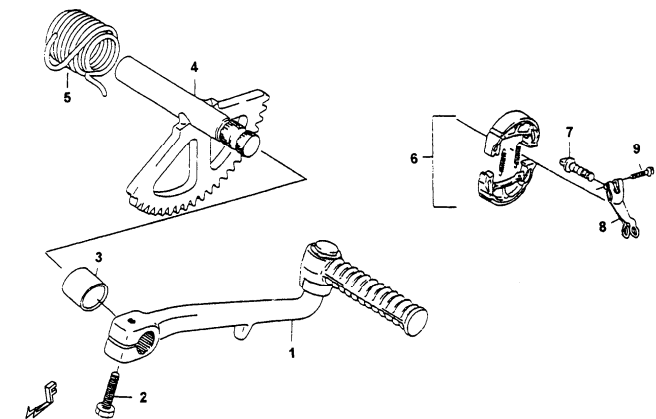
9. AIR CLEANER



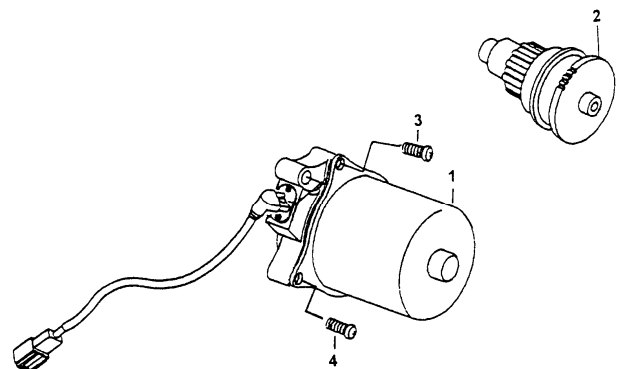
10. REDUCING GEAR



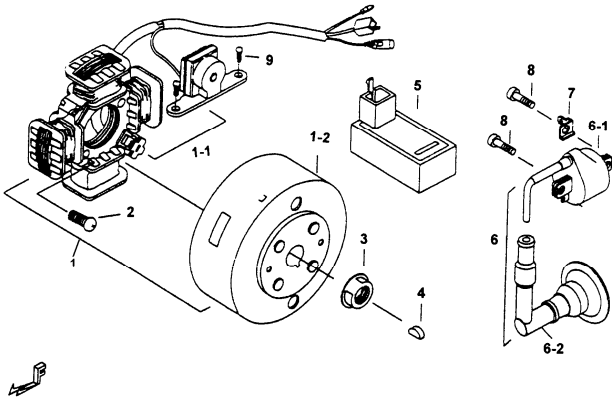
11. KICK STARTER



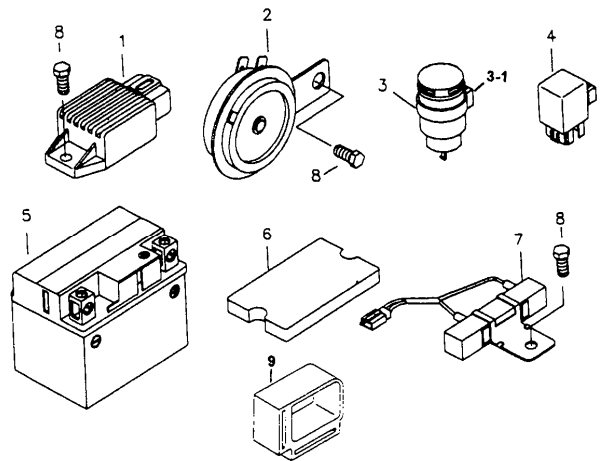
12. STARTING MOTOR



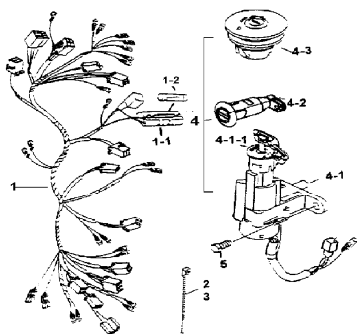
13. FLYWHEEL MAGNETO AND IGNITION COIL



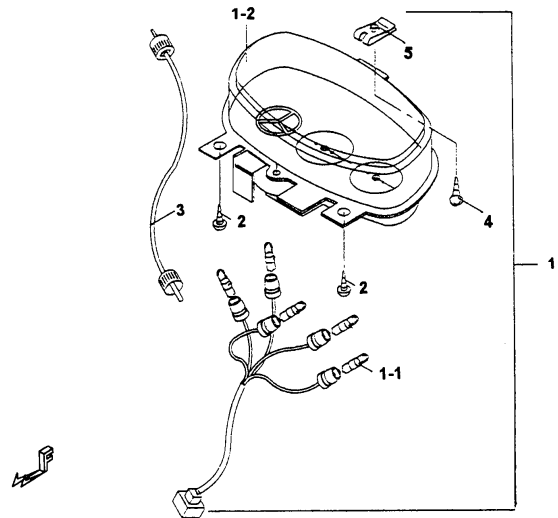
14. BATTERY, HORN, RELAY, RECTIFIER



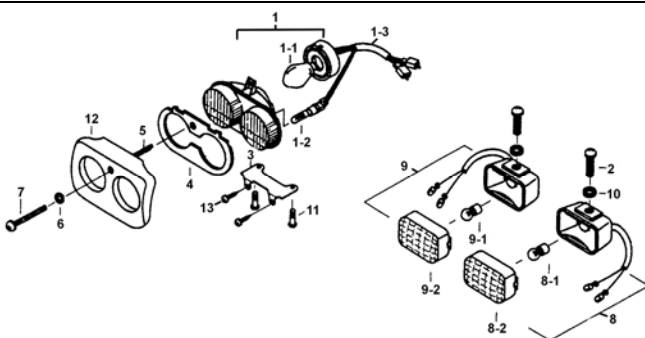
15. WIRING HARNESS AND LOCK SET



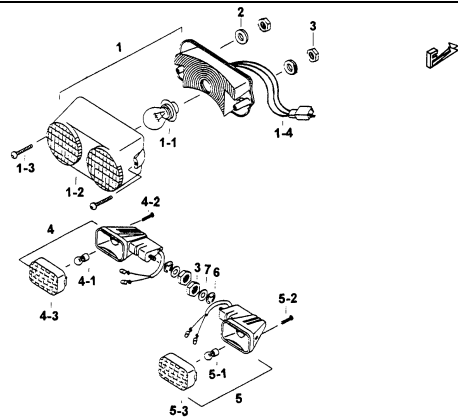
16. SPEEDOMETER



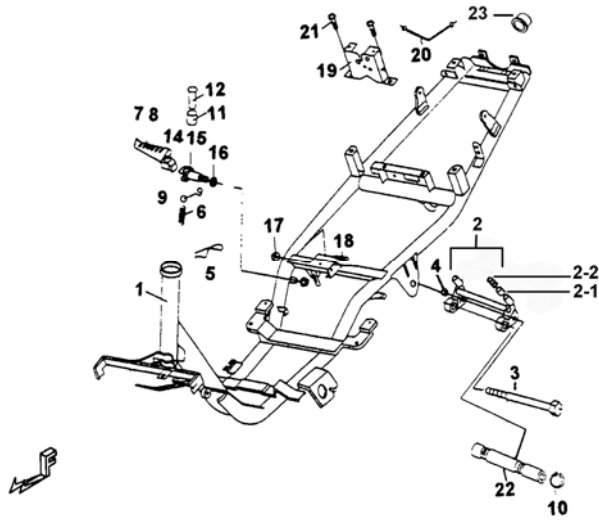
17. HEAD LAMP AND FRONT TURN SIGNAL LAMP



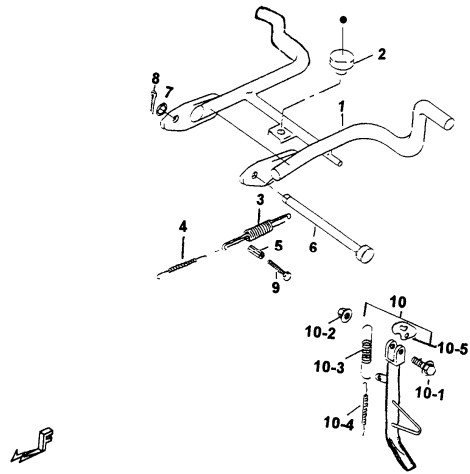
18. REAR LIGHT CLUSTER



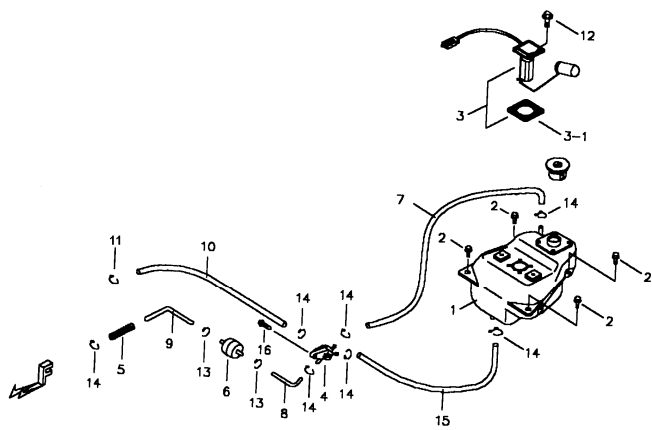
19 . FRAME



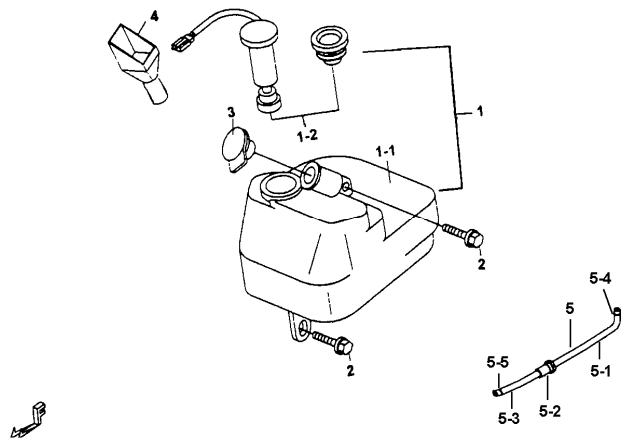
20 . STAND



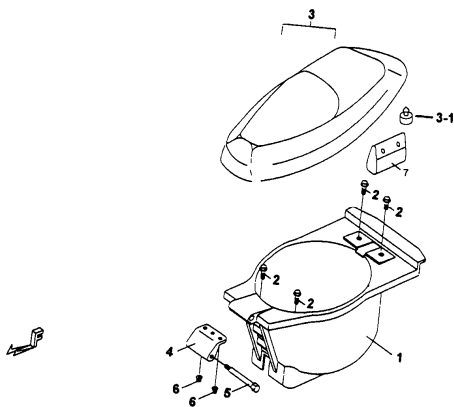
21 . FUEL TANK



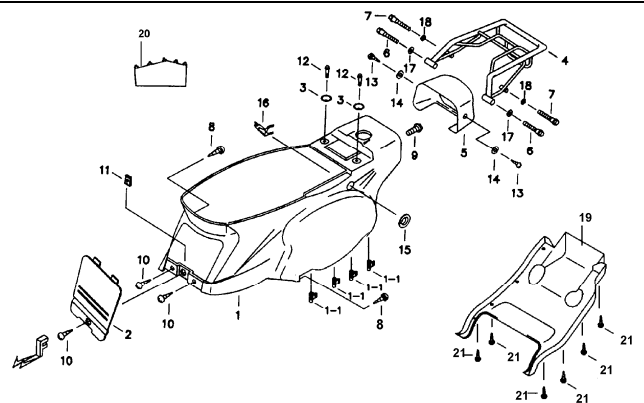
22 . OIL TANK



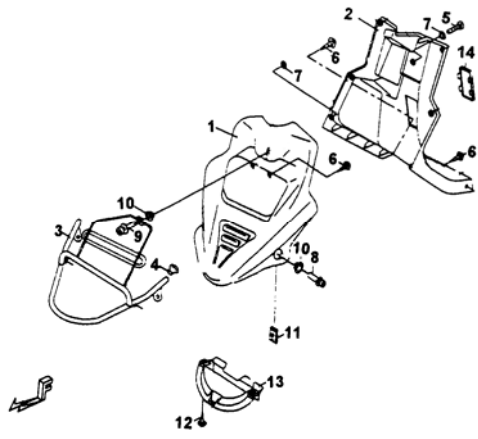
23 . SEAT



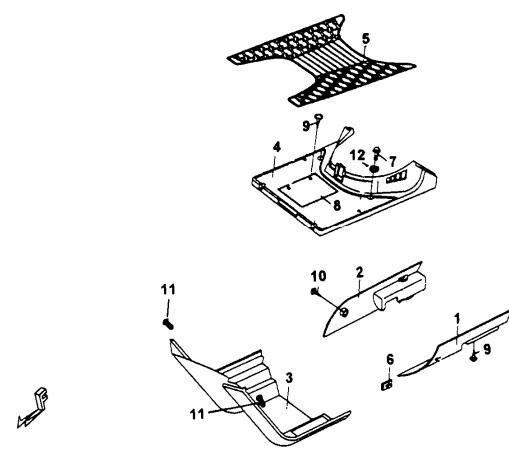
24 . ADDITIONS OF SIDE COVER



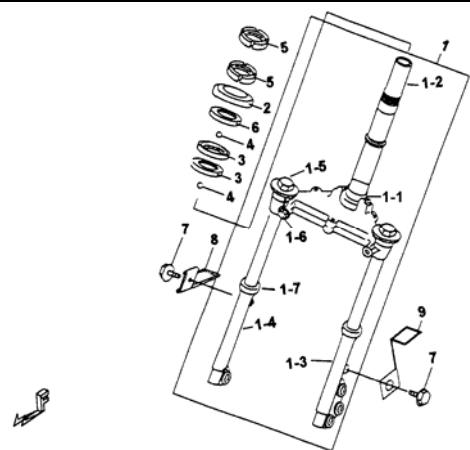
25 . FRONT LEG SHIELD



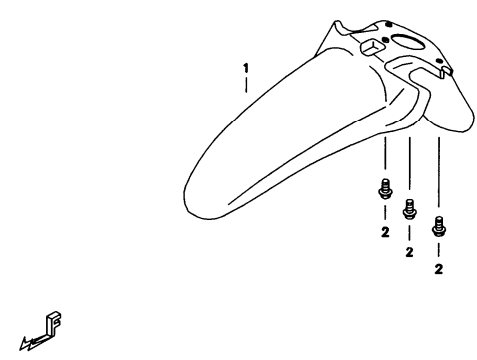
26 . REAR LEG SHIELD



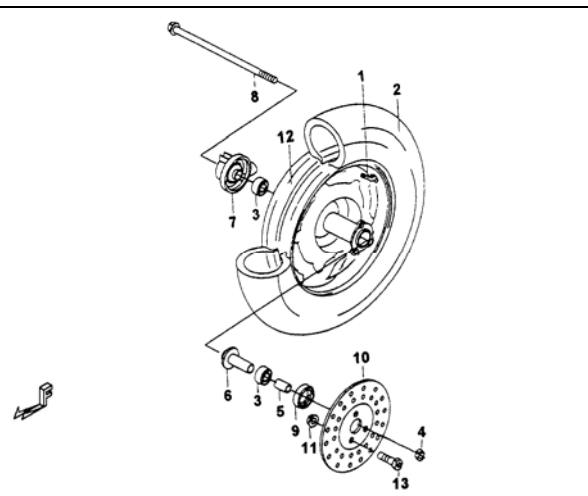
27 . FRONT FORK



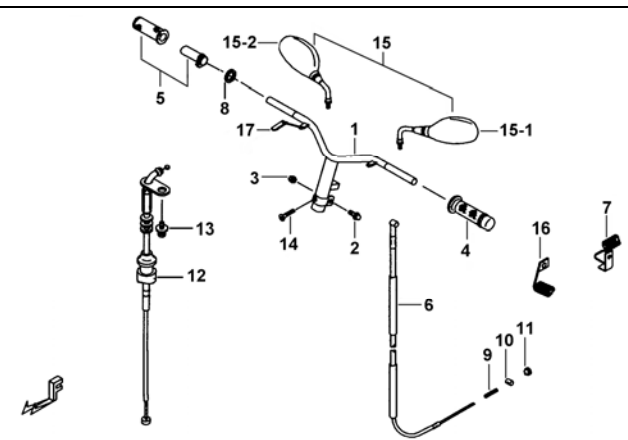
28 . FRONT FENDER



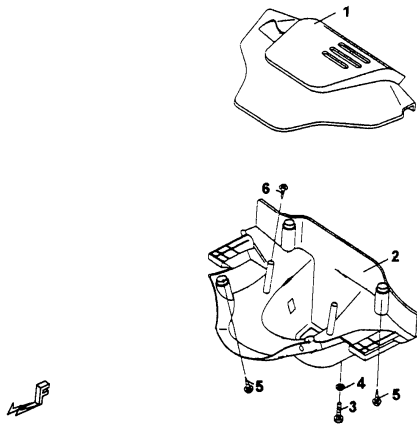
29 . FRONT WHEEL



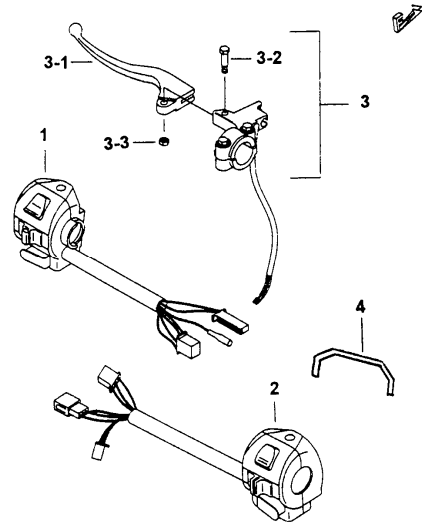
30 . HANDLE BAR



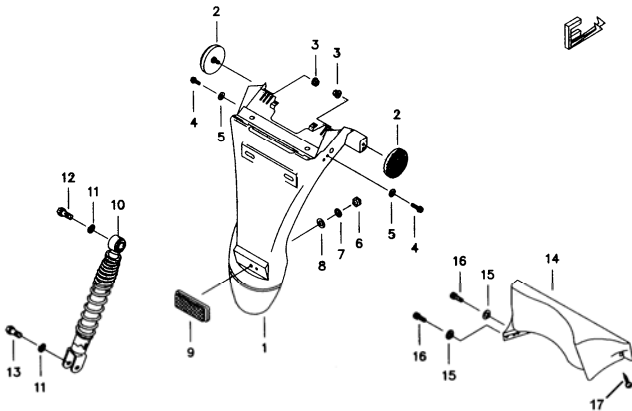
31 . HANDLE BAR COVER



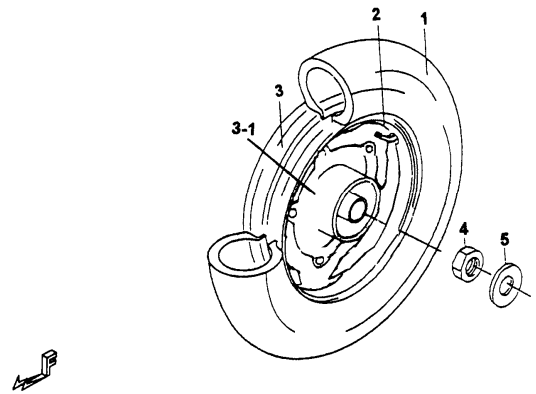
32 . HANDLE BAR SWITCH



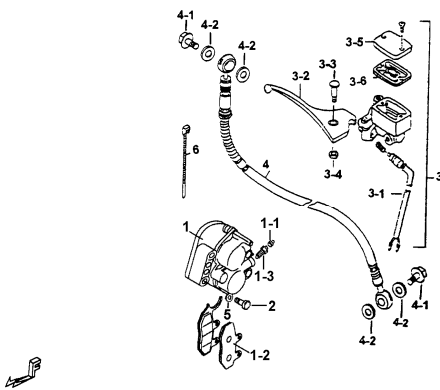
33 . REAR FENDER



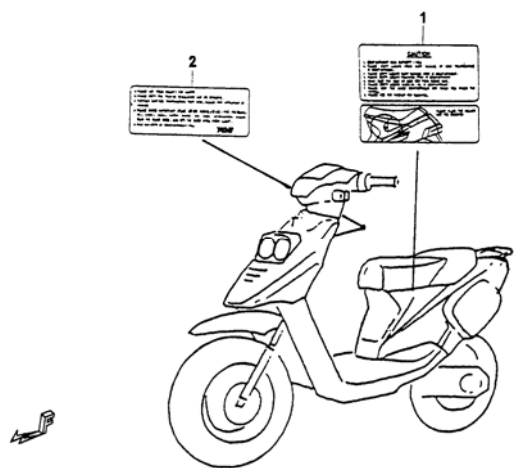
34 . REAR WHEEL



35 . CALIPER, MASTER CYLINDER



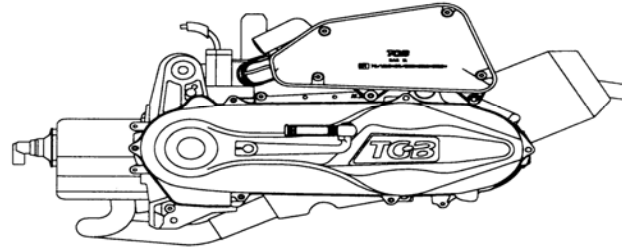
36. LABELS



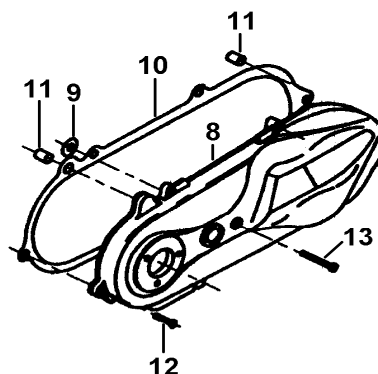
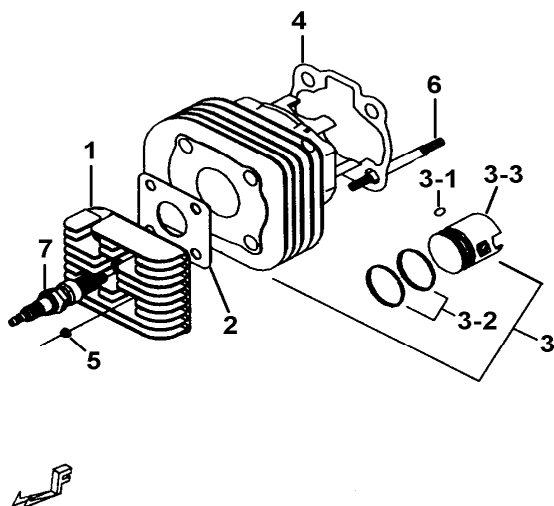
0

ENGINE ASSY.

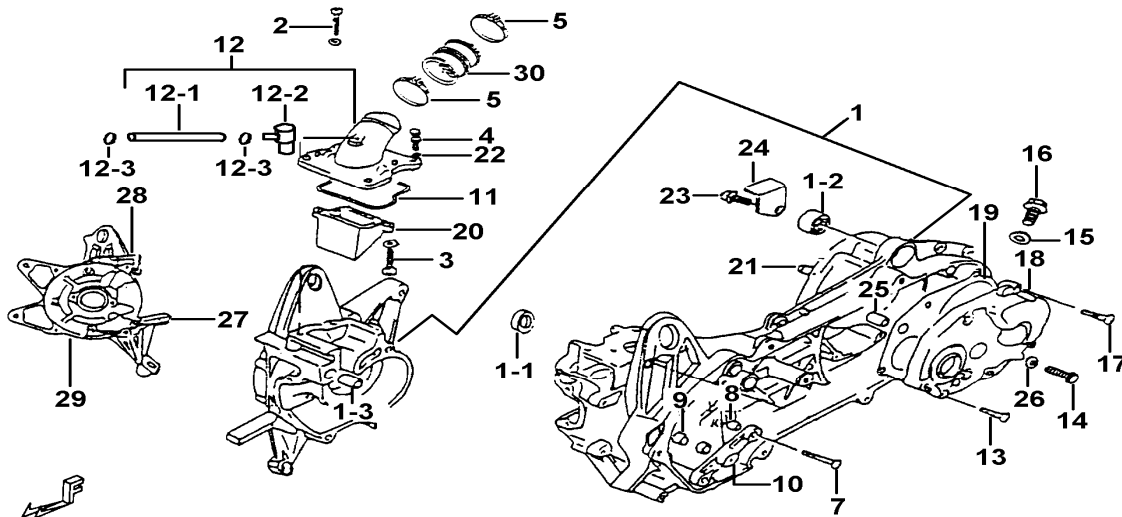
BH1



ITEM NO	PART NO	DESCRIPTION	Q'TY	AMEND	NOTE
01	GI5500427U	ENGINE ASSY.(EURO 2)	1		



ITEM NO	PART NO	DESCRIPTION	Q'TY	AMEND	NOTE
01	GA504AL01	HEAD, CYLINDER	1		
02	GA504PK01	GASKET, CYLINDER HEAD	1		
03	GA5049911	CYLINDER SET, WITH PISTON, PISTON RING AND CIRCLIP	1		
03-1	GA505SR01	CIRCLIP § 11	2		
03-2	GA5059905	RING SET, PISTON	1		
03-3	423046	PISTON	1		
04	GA504PK02	GASKET, CYLINDER	1		
05	GA504NT01	NUT, FLANGE M6	4		
06	GA504SC01	STUD M6X100	4		
07	GI5010005	SPARK PLUG BPR7HS	1		
08	GE501AL15	COVER, CLUTCH	1		
09	GA504PK11	WASHER	1		
10	GE501PK10	GASKET, CLUTCH	1		
11	GA504PN01	PIN, KNOCK 8.5x11x18	2		
12	S70610	SCREW, SOCKET HEAD M6x25	6		
13	S70611	SCREW, SOCKET HEAD M6x50	1		



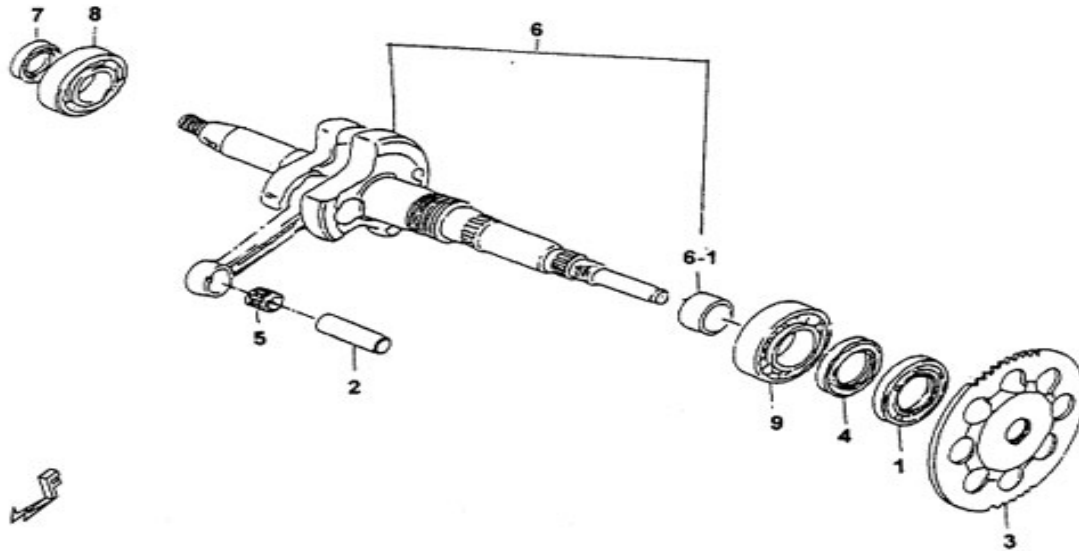
ITEM NO	PART NO	DESCRIPTION	Q'TY	AMEND	NOTE
01	422060	CRANK CASE COMP.	1		
01-1	GL502BR01 YT	BEARING 17X35X10	2		
01-2	GA5049904	BUSH COMP.	1		
01-3	GA504PN01	PIN, KNOCK 8.5x11x18	2		
02	S79601	SCREW, SOCKET HEAD M6x20	3		
03	S79401	SCREW, SOCKET HEAD M4x20	2		
04	S71603	BOLT, BREAKABLE, HEX. HEAD M6X16	1		
05	422038	CLIP	2		
07	S70602	SCREW, HEX. SCCKET M6X1.0X25L	2		
08	GA504PN02	PIN, DOWEL 6.5x9x10	2		
09	GA504BS01	BUSH	1		
10	GA6029905	CAP SET, STARTER IDLE GEAR	1		
11	421008	GASKET, INTAKE PIPE	1		
12	421001A	PIPE ASSY., INTAKE	1		
12-1	GA605PP02	HOSE OIL	1		
12-2	GA5049909	VALVE ASSY., NON-RETURN	1		
12-3	R36501	CLIP	2		
13	S70602	SCREW, HEX. SCCKET M6X1.0X25L	5		
14	GA904SC12	BOLT, FLANGE M6X12	1		
15	GA504WS02	WASHER	1		
16	GA504SC12	BOLT, FLANGE 8X12	1		
17	S70603	SCREW, SOCKET HEAD M6x30	1		
18	GA602AL07	COVER, GEAR BOX	1		
19	GA504PK05	GASKET, GEAR BOX COVER	1		
20	GA5049907	VALVE ASSY., REED	1		
21	GA504PN03	PIN, BRAKE SHOE	1		
22	GA504WS04	WASHER, SPRING	1		
23	GA557SC15	BOLT, HEX. HEAD M6X10	1		

24	GA557PS01	BRKT, REAR BRAKE	1
25	GA504PN01	PIN, KNOCK 8.5x11x18	2
26	W99601	WASHER 6X12X2	1
27	S70606	SCREW, SOCKET HEAD M6x75	1
28	S70605	SCREW, SOCKET HEAD M6x85	1
29	S70601	SCREW, SOCKET HEAD M6X45	3
30	421002	RUBBER TUBE	1

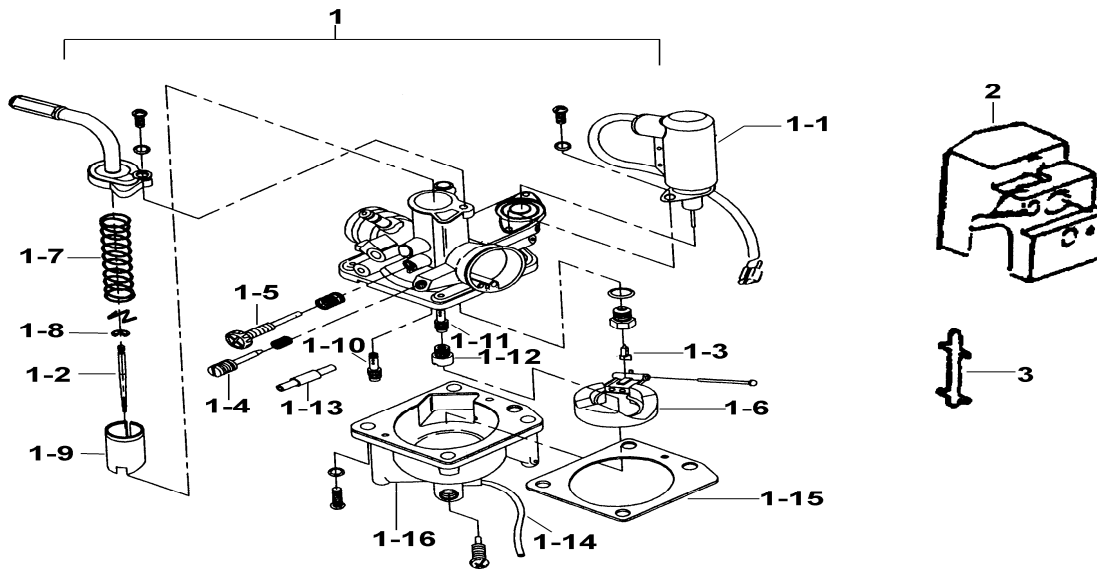
3

CRANK SHAFT

BH1



ITEM NO	PART NO	DESCRIPTION	Q'TY	AMEND	NOTE
01	GA505OS03	SEAL, OIL 24X43X6	1		
02	GA505PN01	PIN, PISTON	1		
03	GA505FE05	GEAR, STARTER	1		
04	GA505OS02	OIL SEAL, LH. 25X37X6	1		
05	GA505BR01 △	BEARING, PISTON PIN 10X14X12.5	1		
06	GA5050006	CRANK SHAFT ASSY.	1		
06-1	GA505BS01	SPACER 18X24X14	1		
07	GA505OS01	OIL SEAL, RH. 17X27X6	1		
08	GA505BR03	BEARING, RH. 20X47X14	1		
09	GA505BR04	BEARING, LH. 25X52X13	1		

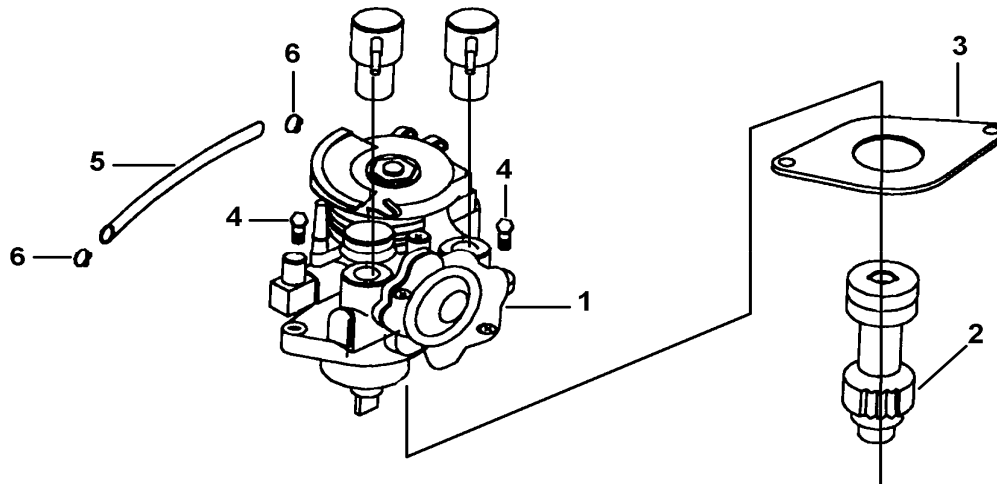


ITEM NO	PART NO	DESCRIPTION	Q'TY	AMEND	NOTE
01	424026A	CARBURETOR ASSY.	1		
01-1	GA5089905	ELEMENT ASSY., THERMO	1		
01-10	GA508CU13	IDLE JET	1		
01-11	424014	MAIN NOZZLE	1		
01-12	GA508CU01	MAIN JET M.J.60	1		
01-13	425016	OIL CHECK VALVE B (LINEAR TYPE)	1		
01-14	424018	CARBURETTOR DRAIN TUBE	1		
01-15	424031	GASKET SET	1		
01-16	424043	CHAMBER SET, FLOAT	1		
01-2	GA508AL01	NEEDLE, JET	1		
01-3	GA508FE05	VALVE, NEEDLE	1		
01-4	GA5089907	SCREW SET, AIR	1		
01-5	GA5089908	SCREW SET, IDLE SPEED	1		
01-6	GA508PL10	FLOAT	1		
01-7	424080	SPRING	1		
01-8	424012	SNAP RING C TYPE	1		
01-9	424013	VALVE, THROTTLE	1		
02	424000	FENDER, CARBURETOR	1		
03	424048	CLAMP	1		

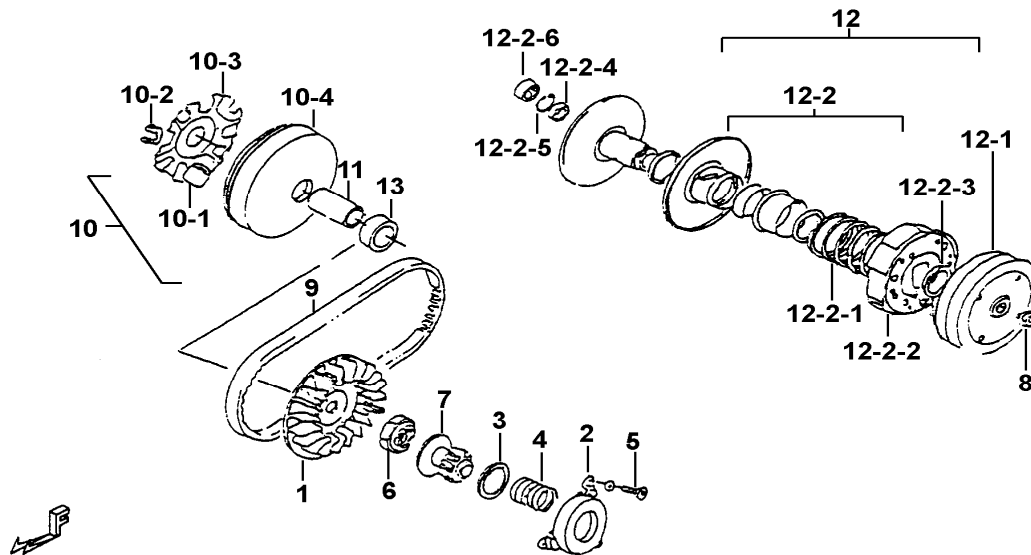
5

OIL PUMP

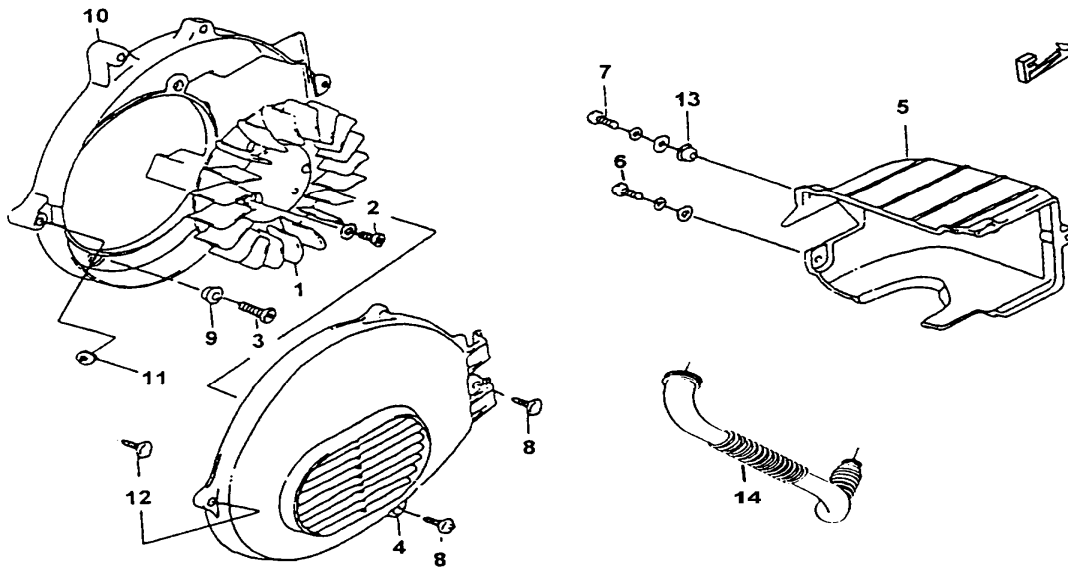
BH1



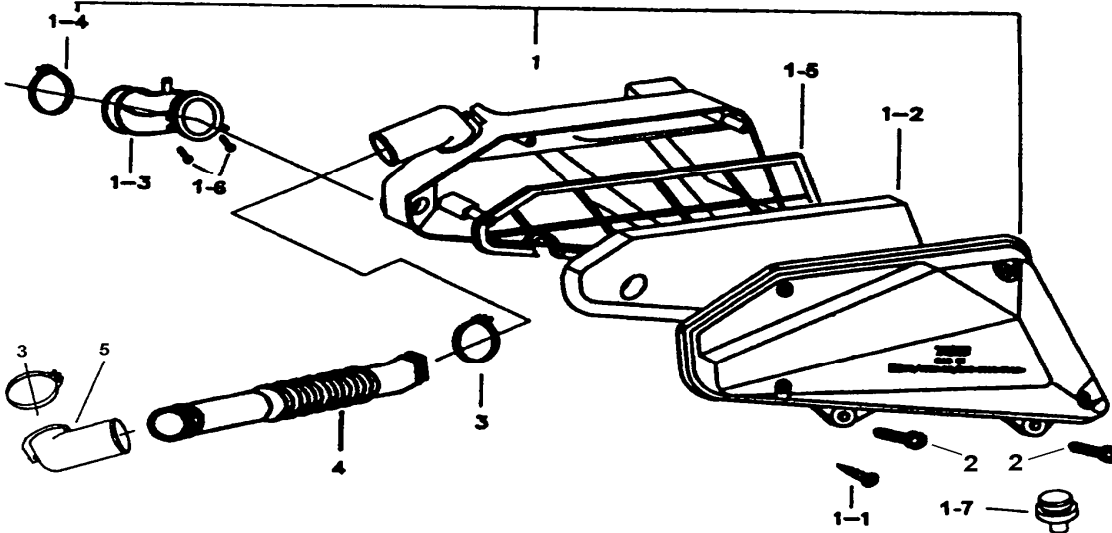
ITEM NO	PART NO	DESCRIPTION	Q'TY	AMEND	NOTE
01	425051	PUMP ASSY., OIL	1		
02	GA508PL01	GEAR, OIL PUMP DRIVEN	1		
03	GA508PK01	GASKET, OIL PUMP	1		
04	S79501	SCREW, SOCKET HEAD M5x16	2		
05	GA605PP02	HOSE OIL	1		
06	R36501	CLIP	2		



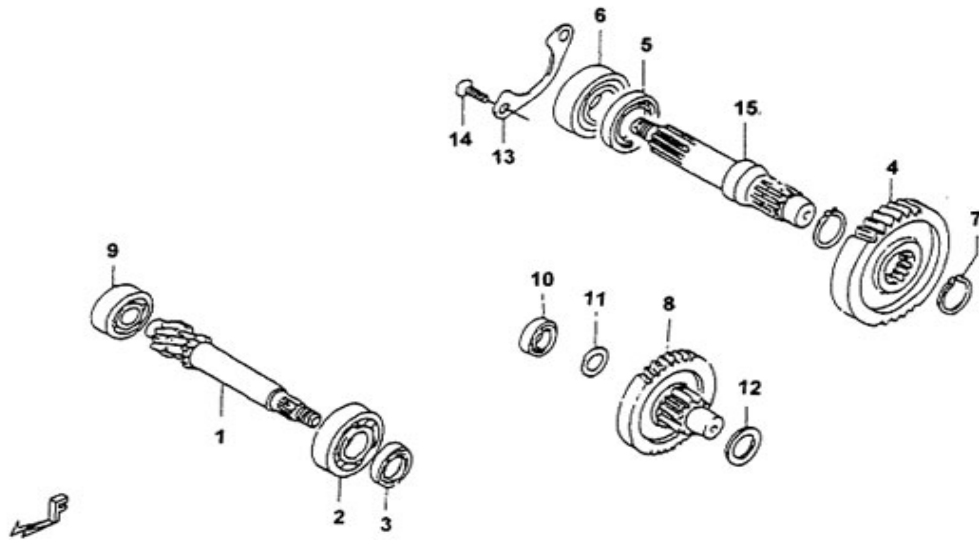
ITEM NO	PART NO	DESCRIPTION	Q'TY	AMEND	NOTE
01	GA906AL01A	FACE, FIXED DRIVE	1		
02	GA906FEU1 Δ	HOLDER, KICK DRN GEAR SPRING	1		
03	GA506WS02	WASHER	1		
04	GA506SP01	SPRING 30.5X24.9	1		
05	S79605	SCREW, SOCKET HEAD	3		
06	GA906FE04	STARTER, KICK RH.	1		
07	GA5069904	STARTER SET, KICK LH.	1		
08	GA501NT01	NUT, FLANGE M10	1		
09	GE506RB01	V-BELT, DRIVE	1		
10	490048	PULLEY COMP., DRIVE	1		
10-1	490045	ROLLER COMP., MOVABLE DRIVE FACE	6		
10-2	PG289931	GUIDE, MOVABLE DRIVE FACE PLATE	3		
10-3	490044	PLATE, FIXED DRIVE	1		
10-4	490041	FACE COMP., DRIVE MOVABLE	1		
11	A02806FE01	SPACER	1		
12	490291	PULLEY COMP., DRIVEN	1		
12-1	PG289933	HOUSING COMP., CLUTCH	1		
12-2	490051	PULLEY ASSY., DRIVEN	1		
12-2-1	PT506SP02	SPRING, MOVABLE DRIVEN FACE	1		
12-2-2	490498	CLUTCH ASSY., SHOE	1		
12-2-3	A02806NT01	NUT, HEX. M28	1		
12-2-4	490385	BEARING	1		
12-2-5	A02806SR01	CIR-CLIP	1		
12-2-6	490384	NEEDLE BEARING	1		
13	428000	SPACER 6.0	1		



ITEM NO	PART NO	DESCRIPTION	Q'TY	AMEND	NOTE
01	427044	FAN, COOLING	1		
02	S79602	SCREW, SOCKET HEAD M6x16	4		
03	S70609	SCREW, SOCKET HEAD M6x16	4		
04	GA608PL11	COWLING, FAN	1		
05	427002	COWLING, CYLINDER	1		
06	S71602	SCREW, SOCKET HEAD M6x40	1		
07	S71604	SCREW, SOCKET HEAD M6x20	1		
08	GA509SC02	SCREW, TAPPING M6x20	4		
09	GA509WS05	WASHER 6X13X6	4		
10	GE508PL14	CASE, FAN	1		
11	420009	SPACER	1		
12	GA509SC20	SCREW, TAPPING	1		
13	427006	WASHER	1		
14	427001A	HOT BLAST DUCT	1		



ITEM NO	PART NO	DESCRIPTION	Q'TY	AMEND	NOTE
01	420001	CLEANER ASSY., AIR	1		
01-1	S51502	SCREW, TAPPING	4		
01-2	420031	FILTER	1		
01-3	420003	TUBE, OUTLET	1		
01-4	R66803	CLIP	1		
01-5	420041	DIVISION PLATE	1		
01-6	S50402	SCREW, TAPPING M4X10	2		
01-7	420072	PLUG, LEAK	1		
02	S70603	SCREW, SOCKET HEAD M6x30	2		
03	422037	CLIPφ32	2		
04	GA904PL09A	DUCT, COOLING	1		
05	420078	PIPE COMP., INTAKE (INCLUDING A/C BUSH)	1		

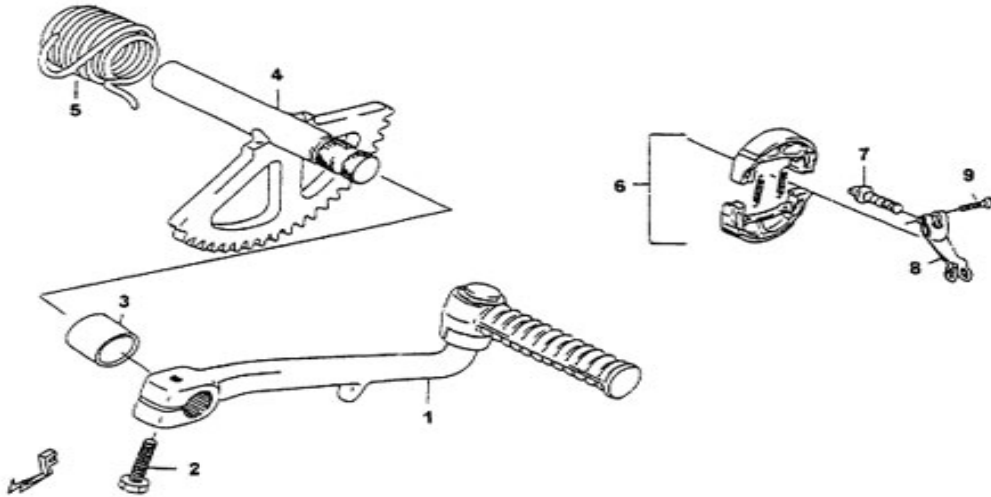


ITEM NO	PART NO	DESCRIPTION	Q'TY	AMEND	NOTE
01	427529	SHAFT, DRIVE 15T	1		
02	GA507BR04	BEARING, DRIVE SHAFT, LH. 17x47x14	1		
03	GA507OS01	OIL SEAL, DRIVE SHAFT 17x27x5	1		
04	427535	GEAR, FINAL DRIVEN 35T	1		
05	GA507OS02	OIL SEAL, REAL AXLE 27x40x6	1		
06	GA507BR06	BEARING, GEAR AXLE, RH. 20x47x14	1		
07	GA507SR02	CIRCLIP, FINAL DRIVEN GEAR § 22	2		
08	427539	SHAFT COMP., IDLE 51T/10T	1		
09	GA507BR03	BEARING, DRIVE SHAFT, RH. 12X32X10	1		
10	GA507BR02	BEARING, IDLER, RH. 12x32x10	1		
11	GA507WS01	WASHER	1		
12	GA507WS02	WASHER, IDLE SHAFT, LH.	1		
13	GA507FE04	RETAINER, REAR AXLE BEARING	1		
14	GA507SC01	SCREW, BEARING RETAINER M6x16	2		
15	GA507FE02 R	SHAFT, REAR AXLE	1		

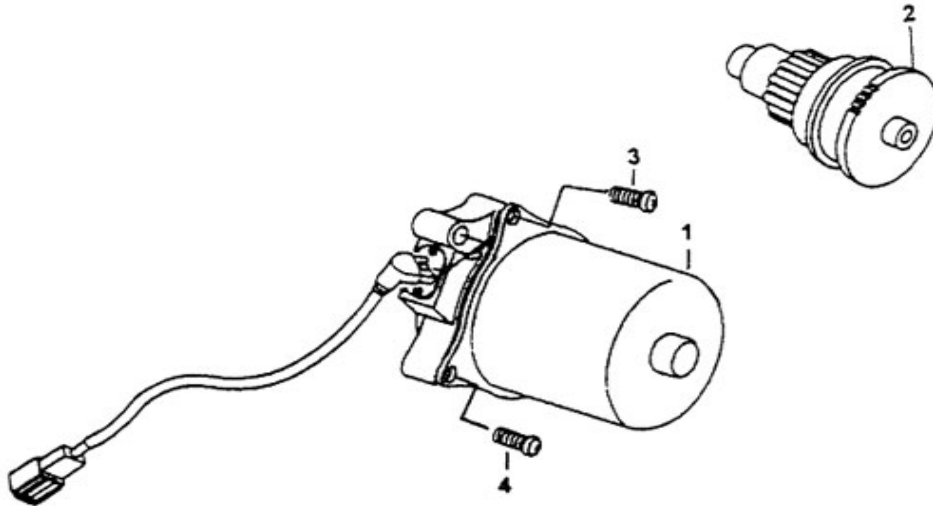
11

KICK STARTER

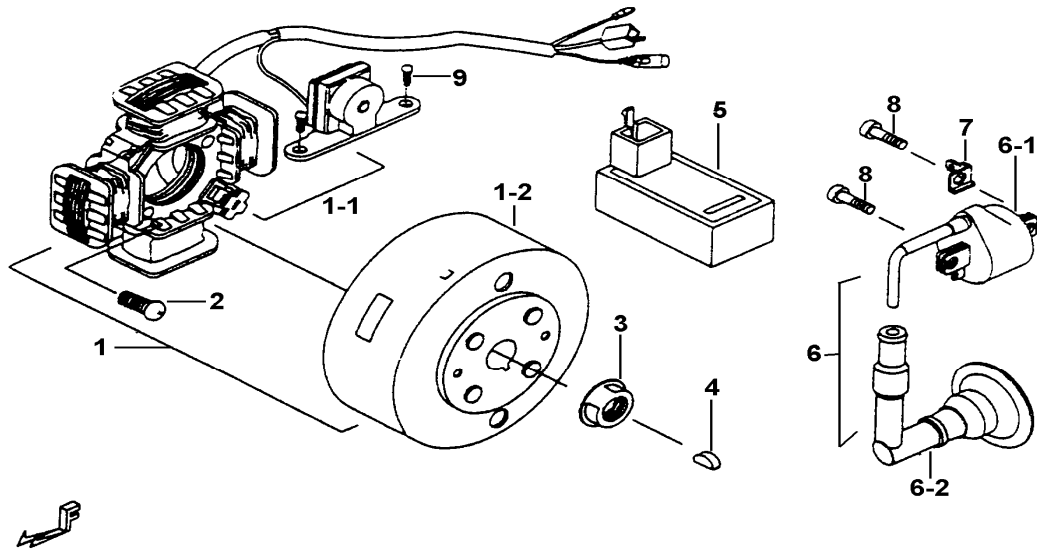
BH1



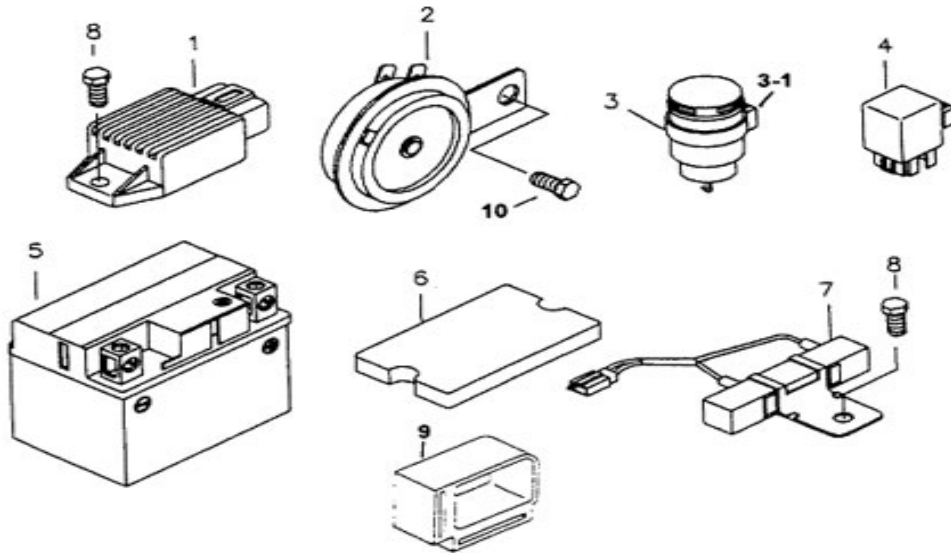
ITEM NO	PART NO	DESCRIPTION	Q'TY	AMEND	NOTE
01	GA9059911	LEVER ASSY., KICK STARTER	1		
02	GA905SC01	BOLT, HEX. HEAD M8X22	1		
03	GA505BS05	BUSH, KICK STARTER SHAFT	1		
04	GA5059910	SHAFT COMP., STARTER	1		
05	GA505SP01	SPRING, KICK STARTER SHAFT	1		
06	GA5580012	SHOE SET, REAR BRAKE	1		
07	GI534FE01	CAM, REAR BRAKE	1		
08	GI534FE02	LEVER, REAR BRAKE	1		
09	GA558SC05	BOLT, HEX. HEAD M6x28	1		



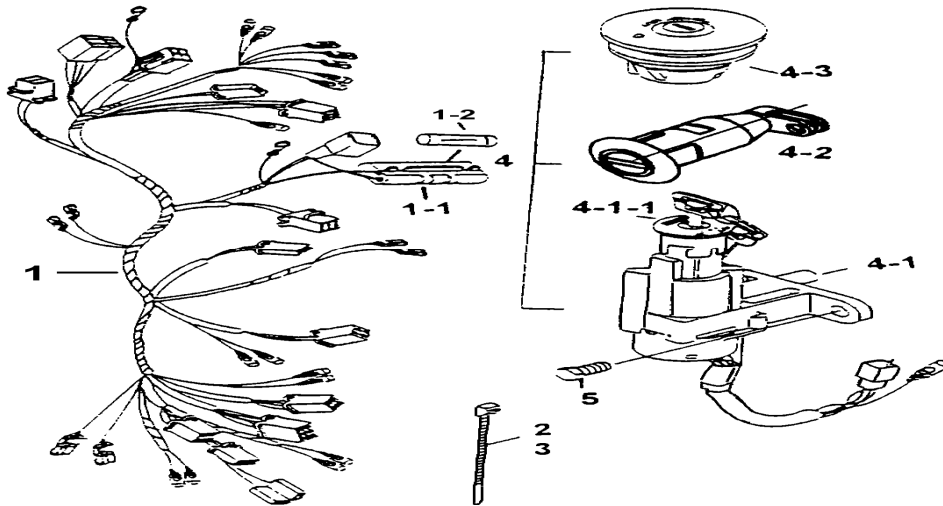
ITEM NO	PART NO	DESCRIPTION	Q'TY	AMEND	NOTE
01	GA9029901	MOTOR ASSY., STARTING	1		
02	GA9029902	PINION GEAR ASSY.	1		
03	S70602	SCREW, HEX. SCCKET M6X1.0X25L	1		
04	S70603	SCREW, SOCKET HEAD M6x30	1		



ITEM NO	PART NO	DESCRIPTION	Q'TY	AMEND	NOTE
01	440931	FLYWHEEL MAGNETO ASSY.	1		
01-1	GE5139904	STATOR ASSY.	1		
01-2	440938	ROTOR ASSY.	1		
02	S79603	SCREW, SOCKET HEAD M6X25	2		
03	GA501NT01	NUT, FLANGE M10	1		
04	GA501KY01	KEY	1		
05	GE5139902	C.D.I (UNLIMITED SPEED)	1		
06	GE5139903	COIL ASSY., IGNITION	1		
06-1	GE5139906	COIL SET, IGNITION	1		
06-2	GE513RB01	CAP SET, SPARK PLUG	1		
07	440564	EARTH TERMINAL	1		
08	S70607	SCREW, SOCKET HEAD M6X20	2		
09	S79503	SCREW, SOCKET HEAD	2		



ITEM NO	PART NO	DESCRIPTION	Q'TY	AMEND	NOTE
01	GA5140001	RECTIFIER ASSY.	1		
02	GF5149906	HORN ASSY.	1		
03	440800A	RELAY, TURN SIGNAL	1		
03-1	440745	BUSH, RUBBER	1		
04	GA5100004	RELAY	1		
05	GA5140003	BATTERY, 4AH	1		
06	GE514RB01	CUSHION, BATTERY	1		
07	400587	RESISTOR SET	1		
08	GA510SC03	SCREW, HEX. HEAD M6X16	2		
09	GE514RB02	BUSH, RUBBER	1		
10	GA510SC02	SCREW, HEX. HEAD M6X12	1		

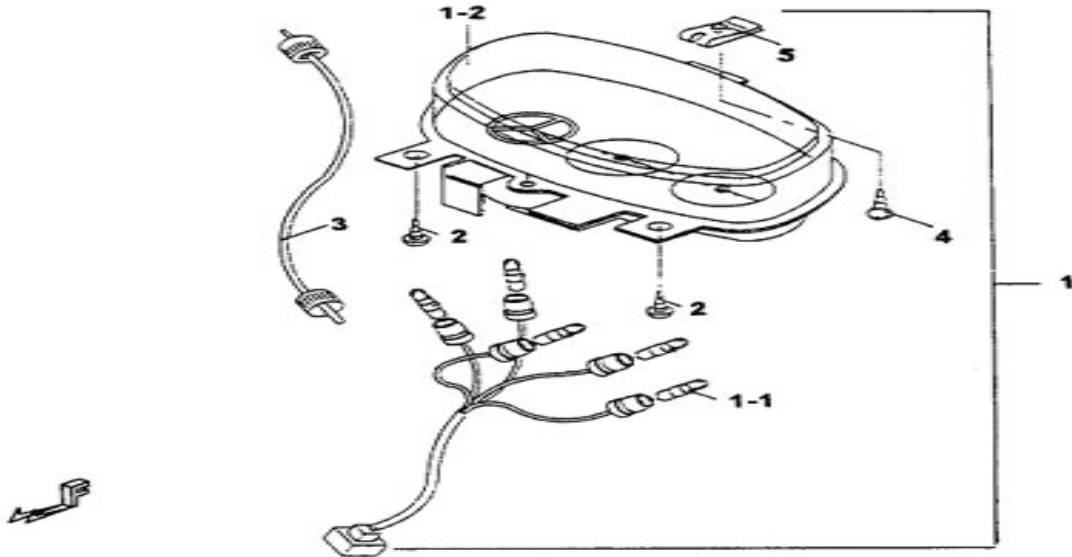


ITEM NO	PART NO	DESCRIPTION	Q'TY	AMEND	NOTE
01	440757	WIRING HARNESS	1		
01-1	GF5159906	CASE SET, FUSE	1		
01-2	GF5159907	FUSE 7A	1		
02	GA510SR01	CLAMP L150	2		
03	GA510SR02	CLAMP L200	1		
04	440749	LOCK ASSY.	1		
04-1	440774	LOCK SET, STEERING	1		
04-1-1	BH115PL01	CAP, INDICATOR	1		
04-2	440744-S	LOCK SET, SEAT	1		
04-3	GF1159904-S	LOCK SET, FUEL TANK	1		
05	S71603	BOLT, BREAKABLE, HEX. HEAD M6X16	2		

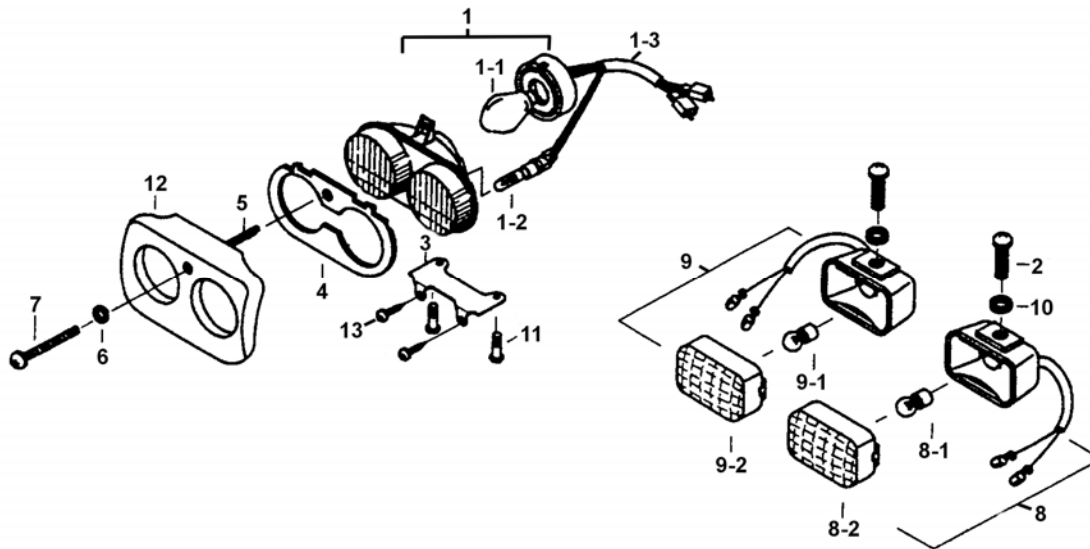
16

SPEEDOMETER

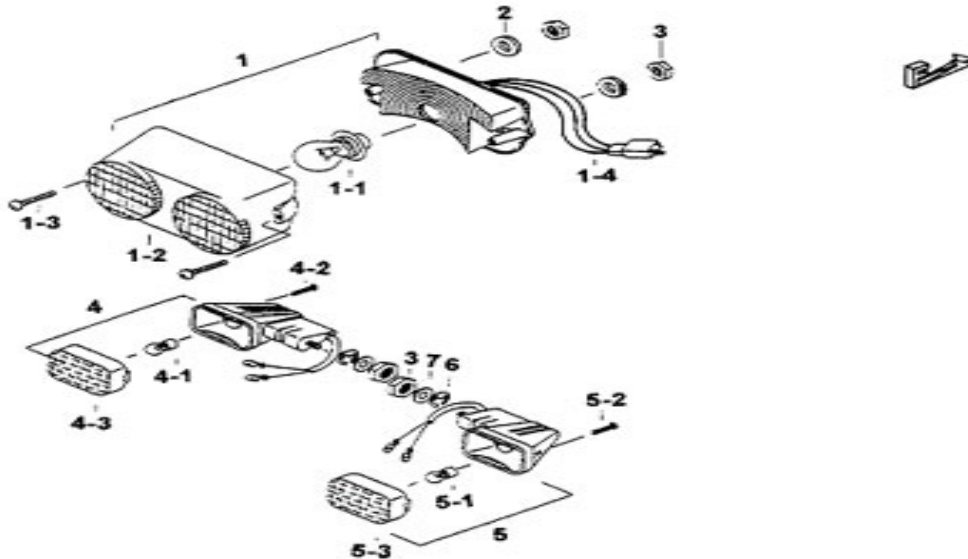
BH1



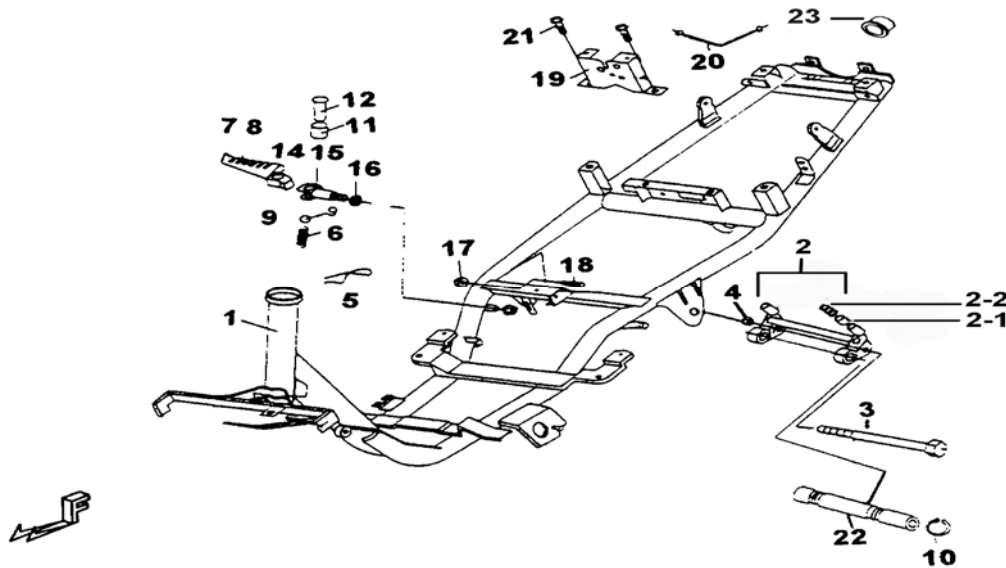
ITEM NO	PART NO	DESCRIPTION	Q'TY	AMEND	NOTE
01	457060	SPEEDOMETER ASSY.	1		
01-1	400560	BULB (12V, 1.7W)	5		
01-2	BH116PL01	COVER, SPEEDOMETER	1		
02	GA552SC11	SCREW, TAPPING M4X16	2		
03	401865	CABLE ASSY., SPEEDOMETER	1		
04	S51501	SCREW, TAPPING M5X16	1		
05	N31501	NUT, SPRING M5	1		



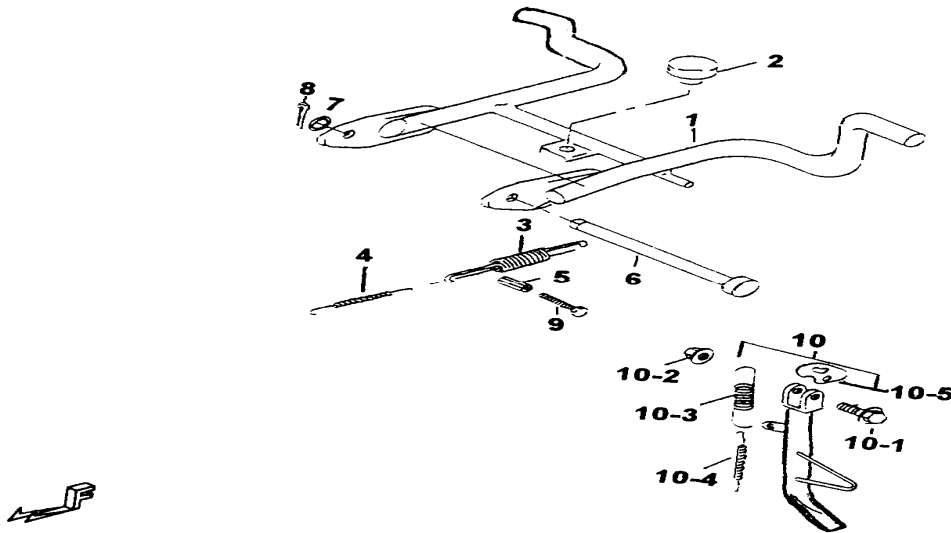
ITEM NO	PART NO	DESCRIPTION	Q'TY	AMEND	NOTE
01	400522	HEAD LAMP ASSY.	1		
01-1	GA5520019	BULB 12V, 35/35W	1		
01-2	400517	BULB 12V, 5W	1		
01-3	450024	SOCKET COMP.	1		
02	S46504	SCRWE, PAN HEAD M5X16	2		
03	400525	BRACKET	1		
04	BH117TH01	CUSHION, HEAD LAMP	1		
05	400527	SPRING, COMPRESSION	1		
06	GA552WS02	WASHER	1		
07	S46402	SCREW OVAL HEAD M4X62	1		
08	GE5170003	TURN SIGNAL LAMP COMP., LH. FRONT	1		
08-1	GF5170006	BULB, 12V, R10W	1		
08-2	GE517PL03	LENS, TURN SIGNAL, FRONT	1		
09	GE5170004	TURN SIGNAL LAMP COMP., RH. FRONT	1		
09-1	GF5170006	BULB, 12V, R10W	1		
09-2	GE517PL03	LENS, TURN SIGNAL, FRONT	1		
10	GA552WS05	WASHER	2		
11	GA552SC06	BOLT, OVAL HEAD 5X12	2		
12	400526	COVER, LAMP	1		
13	S51501	SCREW, TAPPING M5X16	2		



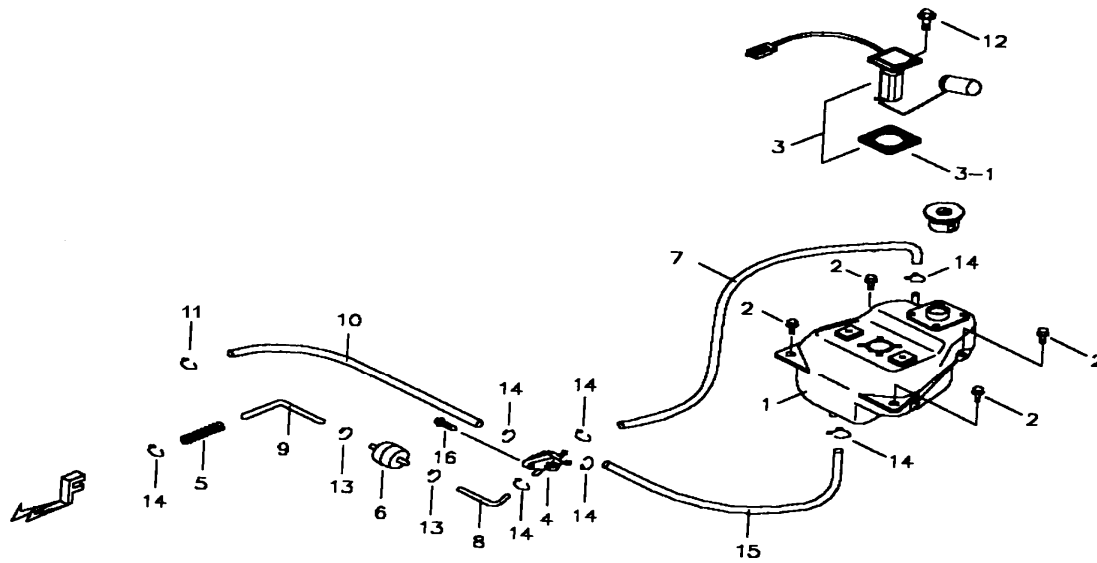
ITEM NO	PART NO	DESCRIPTION	Q'TY	AMEND	NOTE
01	CH5180001	REAR LAMP ASSY.	1		
01-1	GF5180002	BULB 12V, P21/5W	1		
01-2	BH118PL01	LENS, REAR COMBINATION	1		
01-3	S60401	SCREW, TAPPING M4x18	2		
01-4	BH1189901	WIRING HARNESS, REAR LAMP	1		
02	W99603	WASHER, RUBBER	2		
03	GA554NT04	NUT, FLANGE M6xP1.0	4		
04	BH1180002	TURN SIGNAL LAMP COMP., LH.	1		
04-1	GF5170006	BULB, 12V, R10W	1		
04-2	S61301	SCREW, TAPPING M3X20	1		
04-3	BH118PL02	LENS, TURN SIGNAL LAMP, REAR	1		
05	BH1180003	TURN, SIGNAL LAMP COMP., RH.	1		
05-1	GF5170006	BULB, 12V, R10W	1		
05-2	S61301	SCREW, TAPPING M3X20	1		
05-3	BH118PL02	LENS, TURN SIGNAL LAMP, REAR	1		
06	R10001	RETAINER RING, E CLIP M6	2		
07	W99605	WASHER	2		



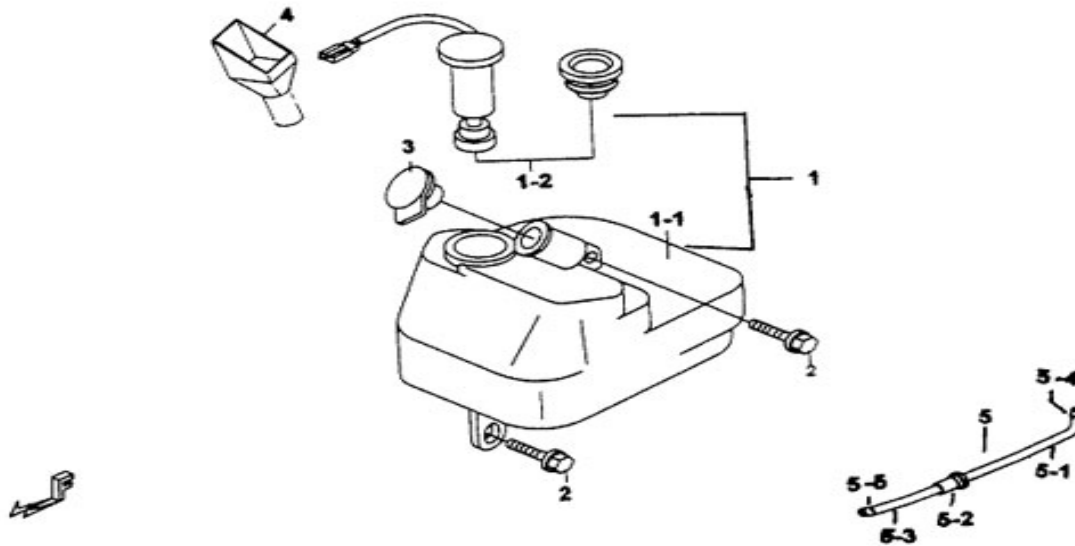
ITEM NO	PART NO	DESCRIPTION	Q'TY	AMEND	NOTE
01	411970	FRAME	1		
02	BH1199903	ROCKER ARM ASSY., HANGER	1		
02-1	GI519RB01	DAMPER, RUBBER	2		
02-2	GI519SP01	SPRING, COMPRESSION	2		
03	S21203	BOLT, HEX. HEAD	1		
04	N25201	NUT, SELFLOCK M12X1.25	1		
05	GA551PN01	COTTER PIN 1.5X30	2		
06	GF519SP01	SPRING, COMPRESSION 6X12.5	2		
07	GF519AL06	FOOTREST ASSY., PILLION, RH.	1		
08	GF519AL05	FOOTREST ASSY., PILLION, LH.	1		
09	GF519FE04	BALL § 6.35	2		
10	R00701	RETAINER RING, C TYPE § 16	2		
11	GF519FE01	COLLAR, PIN 6X8X20	2		
12	GA551PN02	PIN 6X34	2		
14	BH1199901	BRKT, FOOTREST, PILLION, RH.	1		
15	BH1199902	BRKT, FOOTREST, PILLION, LH.	1		
16	W99005	WASHER	2		
17	GA556NT01	NUT, SLOTTED	4		
18	S06101	BOLT, HANGER M10	2		
19	BH1199904	LOCK SET, SEAT	1		
20	BH1199905	CABLE, LOCK SET, SEAT	1		
21	GA556SC01	BOLT, FLANGE M6X1.0X12L	2		
22	BH102FE01	SLEEVE, HANGER	1		
23	411972	RUBBER CAP	1		



ITEM NO	PART NO	DESCRIPTION	Q'TY	AMEND	NOTE
01	BH1200001	STAND COMP., MAIN	1		
02	GA551RB05	CUSHION	1		
03	GA551SP02	SPRING 16X114X2.8	1		
04	GA551SP04	SPRING 9X107X1.4	1		
05	GA551NT03	NUT	1		
06	GA551PN03	SHAFT, MAIN STAND	1		
07	W99806	WASHER 8.5X16X2	1		
08	GA551PN04	PIN, COTTER	1		
09	GA551SC04	BOLT	1		
10	BH1209902	STAND COMP., SIDE	1		
10-1	GA551SC10	SCREW, HEX. HEAD M8X39	1		
10-2	GA551NT04	NUT, HEX. HEAD M8	1		
10-3	GA551SP06	SPRING, SIDE STAND 14X75X2	1		
10-4	GA551SP07	SPRING, SIDE STAND	1		
10-5	GA551PS54	BRKT, SIDE STAND SPRING	1		



ITEM NO	PART NO	DESCRIPTION	Q'TY	AMEND	NOTE
01	401814	TANK, FUEL	1		
02	GA555SC05	BOLT, OUTLET M6X1.0X16L	4		
03	401813	GAUGE ASSY., FUEL LEVEL	1		
03-1	401628	GASKET	1		
04	GA5539902	COCK ASSY., FUEL	1		
05	401014	SPRING 12X100X0.8	1		
06	412182	FILTER, FUEL	1		
07	412130	HOSE	1		
08	412108	HOSE, NEGATIVE PRESSURE LOWER #7	1		
09	401012	HOSE	1		
10	BH121PP01	HOSE, NEGATIVE PRESSURE	1		
11	GA553SR04	CLIP ϕ 7.5	1		
12	S07501	BOLT, HEX HEAD	4		
13	R36901	CLIP	2		
14	R36801	CLIP ϕ 8.5	7		
15	412113	HOSE	1		
16	GA553SC01	BOLT, FLANGE M6X1.0X16L	1		

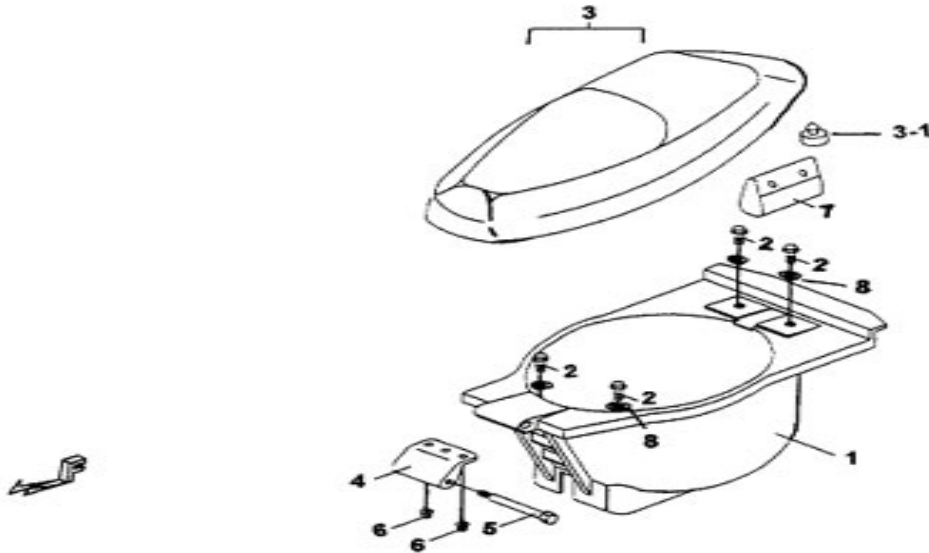


ITEM NO	PART NO	DESCRIPTION	Q'TY	AMEND	NOTE
01	401614	TANK, OIL COMP.	1		
01-1	BH122PL01	TANK, OIL	1		
01-2	BH1229901	SWITCH ASSY., OIL LEVEL	1		
02	GA556SC01	BOLT, FLANGE M6X1.0X12L	2		
03	BH122RB01	CAP, OIL TANK	1		
04	401021	FUNNEL	1		
05	425052	CLEANER COMP., OIL	1		
05-1	425053	HOSE	1		
05-2	425005	CLEANER ASSY., OIL	1		
05-3	412107	HOSE, FUEL	1		
05-4	R36801	CLIP ϕ 8.5	3		
05-5	R50901	CLIP ϕ 9.5	1		

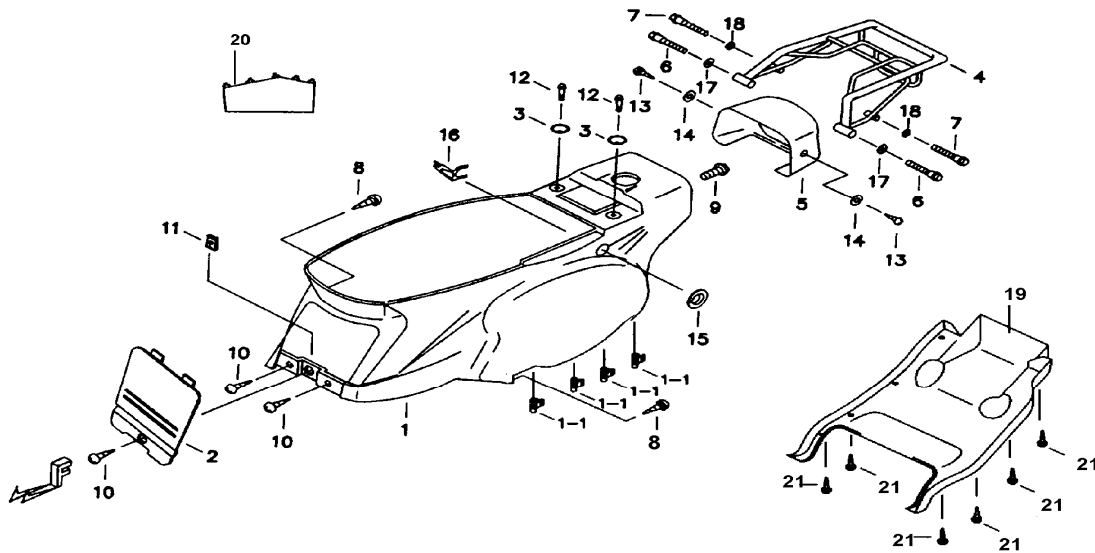
23

SEAT

BH1



ITEM NO	PART NO	DESCRIPTION	Q'TY	AMEND	NOTE
01	452015	HELMET CASE	1		
02	GA551SC09	BOLT, FLANGE M6X20	4		
03	452029	SEAT SET	1		
03-1	401904	DAMPER, RUBBER	2		
04	BH123FE01	BRKT, SEAT	1		
05	S47601	SCREW, RECESSED PAN HEAD M6X68	1		
06	GA554NT04	NUT, FLANGE M6xP1.0	2		
07	421516	PACKAGE, TOOL	1		
08	GA556WS02	WASHER	4		

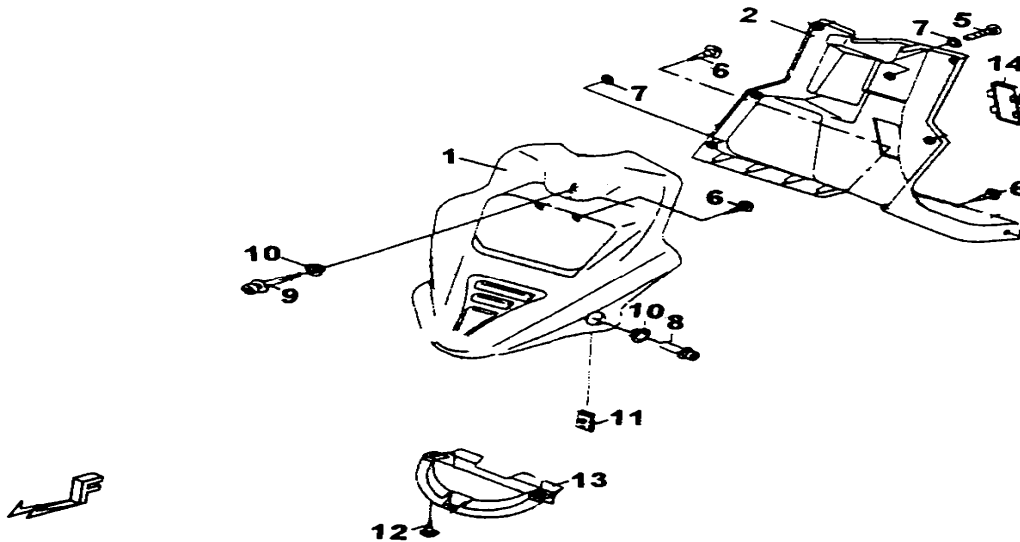


ITEM NO	PART NO	DESCRIPTION	Q'TY	AMEND	NOTE
01	BH124PL01A	COVER, SIDE	1		
01-1	452035	BRKT	8		
02	BH124PL04	COVER, SMALL	1		
03	BH124FE01	BRKT, SEAT	2		
04	BH1249901	CARRIER, TAIL	1		
05	BH124PL03	COVER, TAIL LAMP	1		
06	S70613	BOLT, HEX. HEAD M6X50	2		
07	S70804	BOLT, HEX HEAD M8X50	2		
08	S57501	SCREW, OVAL HEAD, FLANGE M5X14	2		
09	S07501	BOLT, HEX HEAD	2		
10	S51501	SCREW, TAPPING M5X16	5		
11	N31501	NUT, SPRING M5	3		
12	S24617	BOLT, FLANGE M6X14	2		
13	S50501	SCREW, OVAL HEAD M5X12L	2		
14	GA552WS05	WASHER	2		
15	401658	BUSH	1		
16	401657	REED	1		
17	GA555WS02	WASHER	2		
18	W99810	WASHER	2		
19	453011A	BOTTOM PLATE, FUEL TANK	1		
20	452020	SPLASH APRON	1		
21	GA552SC11	SCREW, TAPPING M4X16	8		

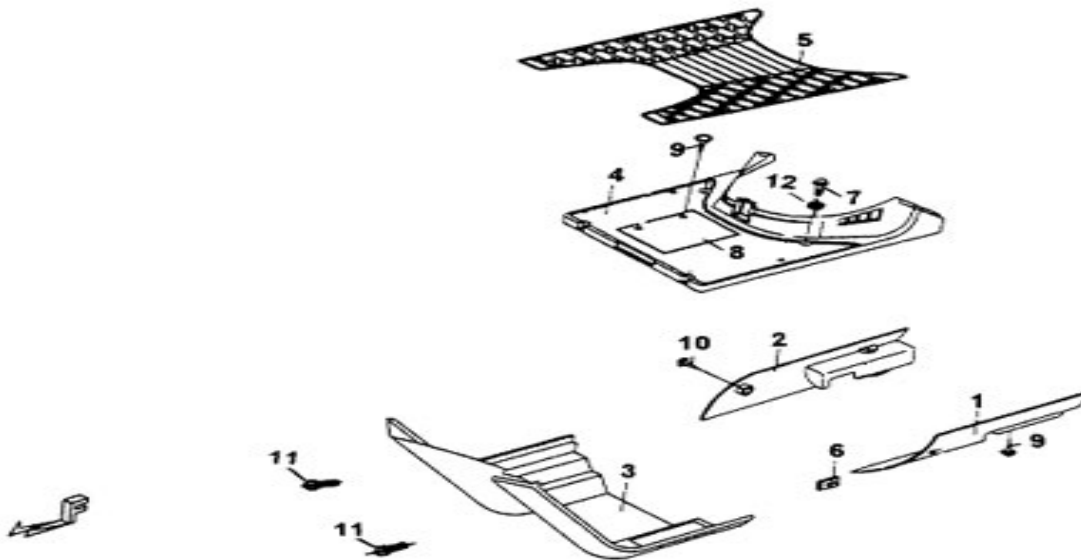
25

FRONT LEG SHIELD

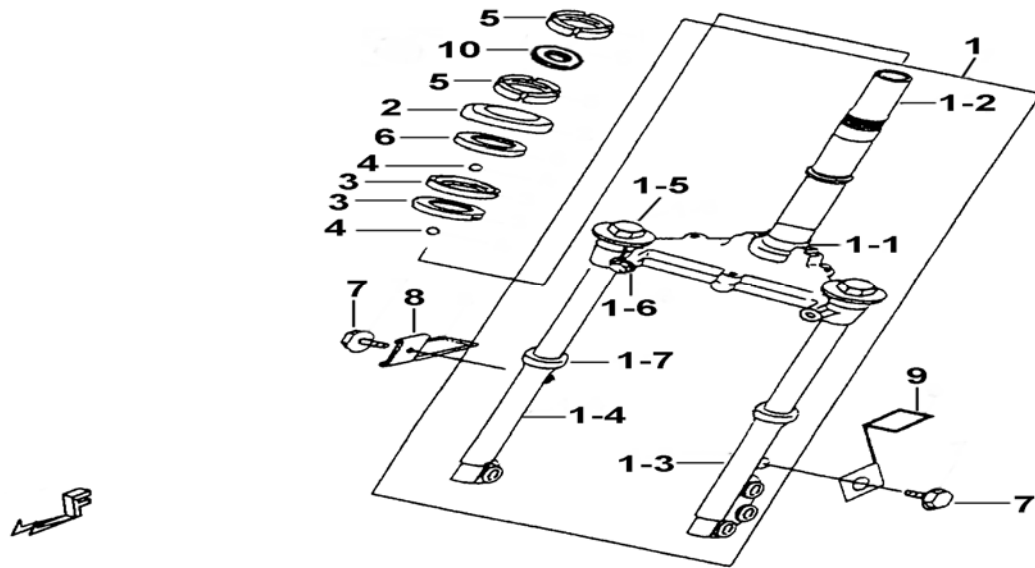
BH1



ITEM NO	PART NO	DESCRIPTION	Q'TY	AMEND	NOTE
01	BH125PL01	LEG SHIELD FRONT	1		
02	BH125PL02	COVER, LEG SHIELD	1		
05	GA904SC26	SCREW, SOCKET HEAD M6X16	3		
06	S57501	SCREW, OVAL HEAD, FLANGE M5X14	10		
07	W99602	WASHER 6.5X12X1.0	3		
08	S72602	BOLT, HEX. HEAD	2		
09	S72602	BOLT, HEX. HEAD	1		
10	BH125AL01	CAP, RUBBER	3		
11	N31501	NUT, SPRING M5	5		
12	S51501	SCREW, TAPPING M5X16	3		
13	BH125PL03	FRONT FENDER, INNER	1		
14	BH125PL04	COVER SET, LEG SHIELD, SMALL	1		



ITEM NO	PART NO	DESCRIPTION	Q'TY	AMEND	NOTE
01	BH126PL01	LEG SHIELD, SIDE, LH.	1		
02	BH126PL02	LEG SHIELD, SIDE, RH.	1		
03	401860	LEG SHIELD, LOWER	1		
04	BH126PL04	LEG SHIELD, RAER	1		
05	BH126RB01	CUSHION, LEG SHIELD	1		
06	N31501	NUT, SPRING M5	6		
07	GA551SC09	BOLT, FLANGE M6X20	4		
08	BH126PL05	LID, BATTERY BOX	1		
09	S57501	SCREW,OVAL HEAD, FLANGE M5X14	7		
10	S51501	SCREW,TAPPING M5X16	2		
11	GA904SC26	SCREW, SOCKET HEAD M6X16	2		
12	GA556WS02	WASHER	4		

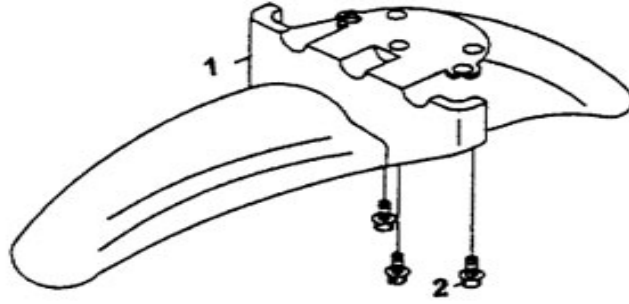


ITEM NO	PART NO	DESCRIPTION	Q'TY	AMEND	NOTE
01	412720	FORK COMP., FRONT	1		
01-1	414009	RACE, STEERING, INNER, LOWER	1		
01-2	401673	CENTREL BAR ASSY.	1		
01-3	401671	FORK COMP., FRONT LH.	1		
01-4	401672	FORK COMP., FRONT RH.	1		
01-5	GI527SC01	NUT, HEX. HEAD	2		
01-6	S20002	BOLT, FLANGE M10X1.25	2		
01-7	GI527OS01	OIL SEAL	2		
02	BH127PS01	WASHER	1		
03	BH127PS03	RACE, STEERING, OUTER	2		
04	BH127FE01	BALL	44		
05	N50501	NUT, SLOTTED	2		
06	BH127PS02	RACE, STEERING, INNER, UPPER	1		
07	GA556SC01	BOLT, FLANGE M6X1.0X12L	2		
08	GI527PS02	BRKT, CABLE, SPEEDOMETER	1		
09	BH1279901	BRKT, BRAKE HOSE	1		
10	W99533	WASHER	1		

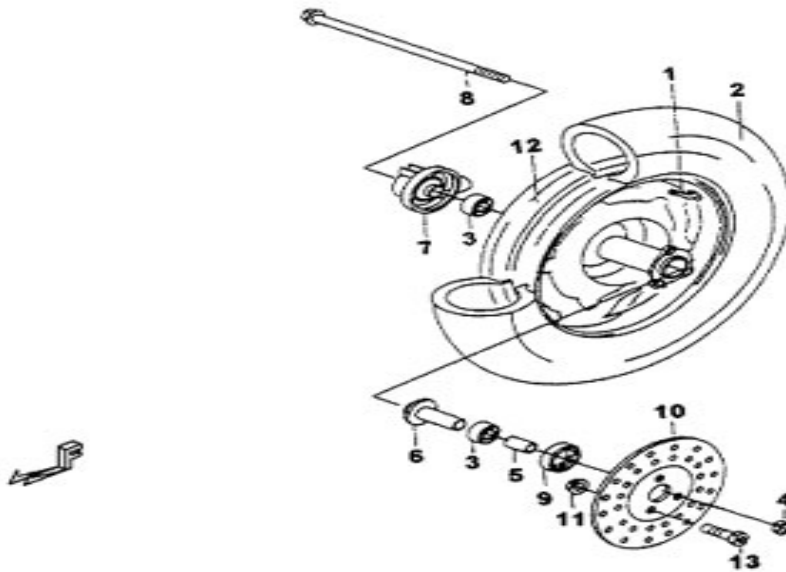
28

FRONT FENDER

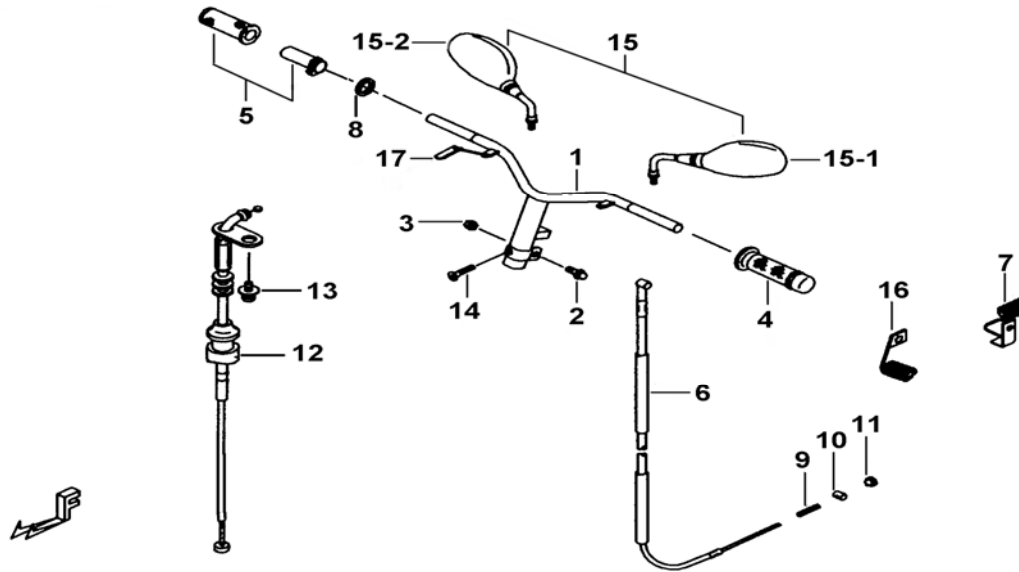
BH1



ITEM NO	PART NO	DESCRIPTION	Q'TY	AMEND	NOTE
01	BH128PL01	FRONT FENDER	1		
02	GA556SC01	BOLT, FLANGE M6X1.0X12L	3		



ITEM NO	PART NO	DESCRIPTION	Q'TY	AMEND	NOTE
01	GF5299901	INLET COMP., AIR	1		
02	412942-S	TIRE 120/90-10	1	←645728	
02A	401805-S	TIRE, FRONT 120/70-12	1	645729→	
03	GI529BRU11 T	BEARING 12X32X10	2		
04	N25201	NUT, SELFLOCK M12X1.25	1		
05	GI529BS01	COLLAR	1		
06	GI5299902	COLLAR SET FOR RIM COMP.	1		
07	GI5299901	GEAR COMP., SPEEDOMETER	1		
08	GI529FE01	SHAFT, FRONT WHEEL 12X218	1		
09	GI529OS01	OIL SEAL 18X35X7	1		
10	410161Y	DISC, BRAKE 190mm	1		
11	GA551NT01	NUT, SELFLOCK M10X1.25	3		
12	401678	RIM COMP., FRONT WHEEL 3.5X10	1	←645728	
12A	412945	RIM COMP., FRONT WHEEL MT 3.5-12	1	645729→	
13	S72001	SCREW, SOCKET	3		

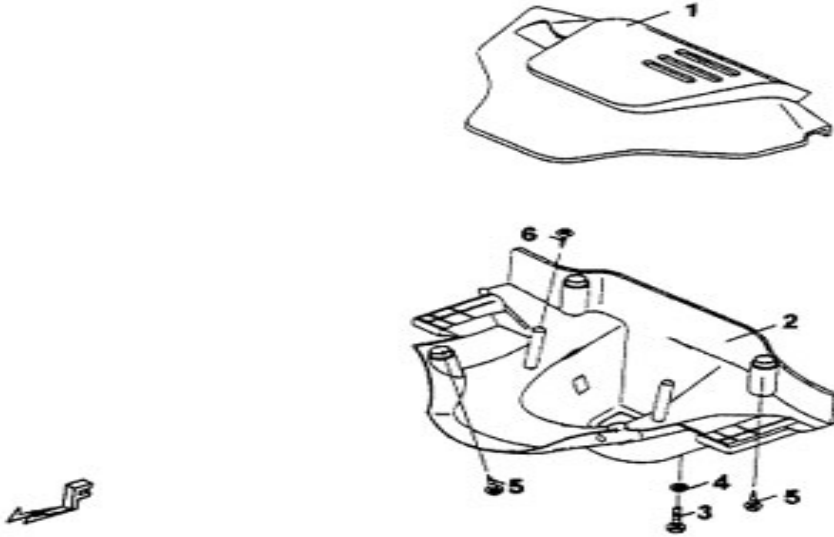


ITEM NO	PART NO	DESCRIPTION	Q'TY	AMEND	NOTE
01	BH1309903	HANDLE BAR ASSY.	1		
02	GA557SC01	BOLT, FLANGE M10X43	1		
03	GA551NT01	NUT, SELFLOCK M10X1.25	1		
04	GF530RB02	GRIP, LH.	1		
05	413032	GRIP ASSY., RH.	1		
06	413055	CABLE, REAR BRAKE	1		
07	401702	BRKT, SET REAR BRAKE (REAR)	1		
08	413912	SEAL	1		
09	GF530SP01	SPRING 7X110X1.0	1		
10	GI530PN01	PIN, STOP ϕ 12X22	1		
11	GI530NT01	NUT, ADJUSTING M6X16	1		
12	413067	CABLE, THROTTLE(VM 13)	1		
13	GA557SC12	SCREW, PAN HEAD M5X10	1		
14	GA557SC02	SCREW, FLAT HEAD M8X35	1		
15	GE5300001	MIRROR, REAR VIEW ASSY.	1		
15-1	GE5309905	MIRROR, REAR VIEW, LH.	1		
15-2	GE5309904	MIRROR, REAR VIEW, RH.	1		
16	GI5309907	BRKT, SET REAR BRAKE CABKE(MIDDLE)	1		
17	GA501SR01	CLAMP	1		

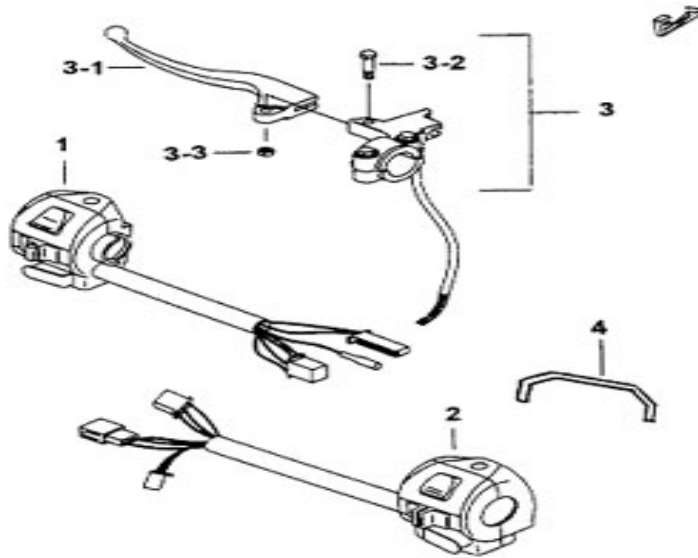
31

HANDLE BAR COVER

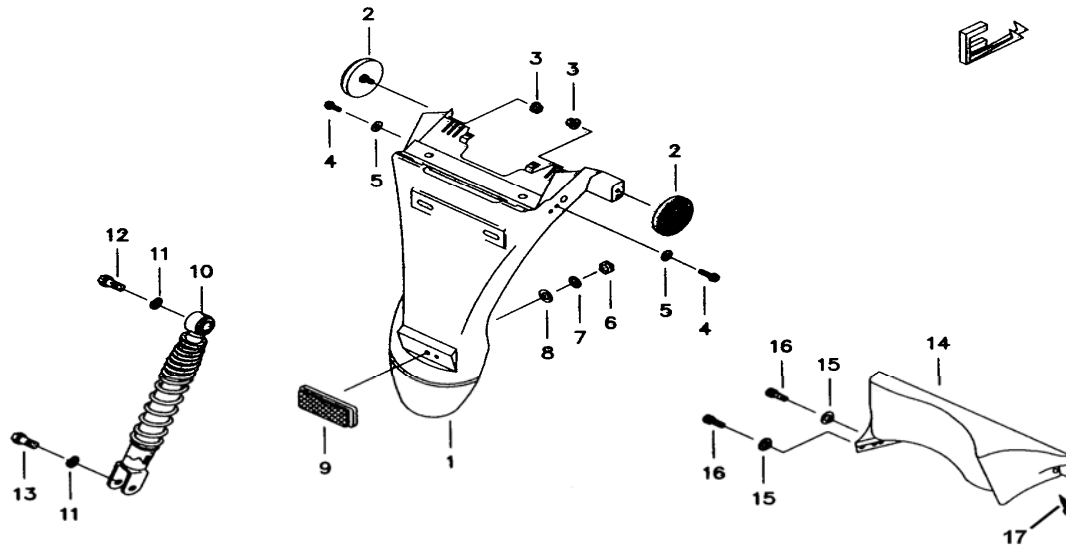
BH1



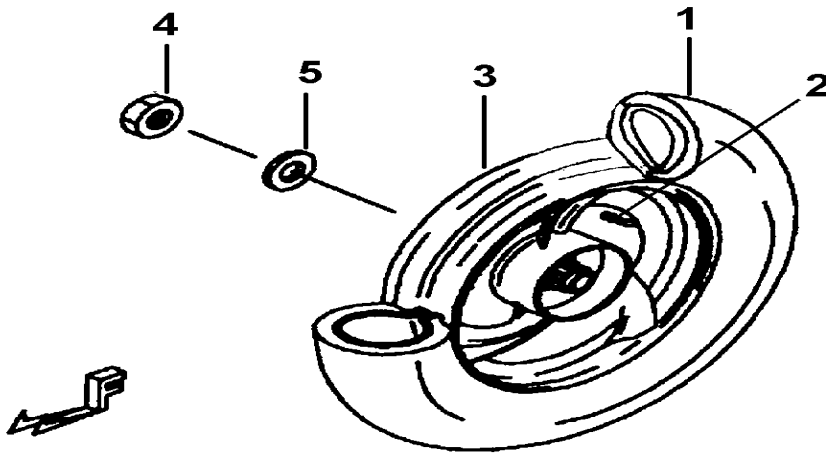
ITEM NO	PART NO	DESCRIPTION	Q'TY	AMEND	NOTE
01	BH131PL01	COVER, HANDLE BAR, UPPER	1		
02	BH131PL02	COVER, HANDLE BAR, UNDER	1		
03	S46504	SCRWE, PAN HEAD M5X16	1		
04	GA552WS05	WASHER	1		
05	GA552SC11	SCREW, TAPPING M4X16	4		
06	S57501	SCREW,OVAL HEAD, FLANGE M5X14	2		



ITEM NO	PART NO	DESCRIPTION	Q'TY	AMEND	NOTE
01	413203	SWITCH ASSY., HANDLE, LH.	1		
02	401375	SWITCH ASSY., HANDLE, RH.	1		
03	413201	LEVER ASSY., HANDLE BAR, LH.	1		
03-1	413210	LEVER, HANDLE BAR, LH.	1		
03-2	S47503	SCREW, CROSS RECESSED, PAN HEAD M5	1		
03-3	N20501	NUT, SELFLOCK M5	1		
04	413911	WASHER	1		



ITEM NO	PART NO	DESCRIPTION	Q'TY	AMEND	NOTE
01	401834	FENDER, REAR, UPPER	1		
02	GF5189903	REFLECTOR ASSY., SIDE	2		
03	GA554NT04	NUT, FLANGE M6xP1.0	2		
04	GA510SC03	SCREW, HEX. HEAD M6X16	2		
05	GA555WS02	WASHER	2		
06	GA552NT05	NUT, FLANGE M5	1		
07	W10501	SPRING WASHER	1		
08	GA552WS05	WASHER	1		
09	GF5189902	REFLECTOR ASSY., REAR	1		
10	413305	ABSORBER ASSY., SHOCK, REAR	1		
11	GA556WS06	WASHER, SPRING 10.2X3.7X2.5t	2		
12	GA556SC03	BOLT, HEX. HEAD M10X1.25X40L	1		
13	GA556SC04	BOLT, HEX. HEAD 10X34	1		
14	458004	SPLASH BOARD	1		
15	GA556WS02	WASHER	2		
16	S70609	SCREW, SOCKET HEAD M6x16	2		
17	S50506	SCREW, TAPPING	1		

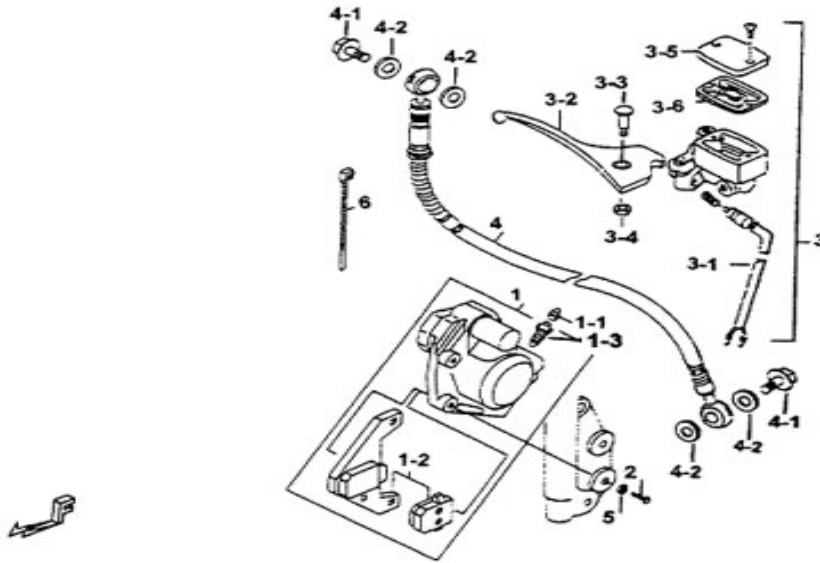


ITEM NO	PART NO	DESCRIPTION	Q'TY	AMEND	NOTE
01	412942-S	TIRE 120/90-10	1	←645728	
01A	401805-S	TIRE, FRONT 120/70-12	1	645729→	
02	GF5299901	INLET COMP., AIR	1		
03	GE5340002	RIM COMP., REAR 3.5-10(SILVER)	1	←645728	
03A	GE5340001	RIM COMP., REAR WHEEL 3.5-12	1	645729→	
04	GA558NT03	NUT, SELFLOCK M16X14	1		
05	GA558WS01	WASHER	1		

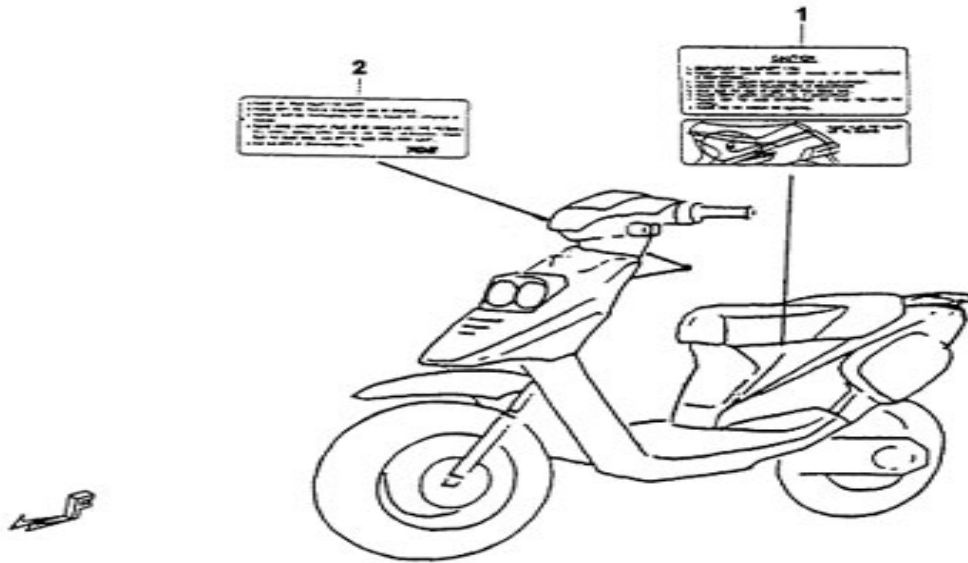
35

CALIPER, MASTER CYLINDER

BH1



ITEM NO	PART NO	DESCRIPTION	Q'TY	AMEND	NOTE
01	401851	CALIPER	1		
01-1	GA559RB01	CAP, GUARD	1		
01-2	GF5359902	PAD ASSY.	1		
01-3	GA559SC01	BOLT, FLANGE	1		
02	GA558SC03	BOLT, HEX. HEAD	2		
03	GF5360001	MASTER CYLINDER	1		
03-1	GF5369902	LIMITED SWITCH ASSY., FRONT BRAKE LAMP, DH	1		
03-2	401020	LEVER, HANDLE BAR	1		
03-3	S46501	SCREW 6X30	1		
03-4	N25401	NUT M14	1		
03-5	GF536AL01	CAP, MASTER CYLINDER	1		
03-6	GF536RB01	DIAPHRAM	1		
04	BH1369901	HOSE ASSY., FRONT BRAKE	1		
04-1	S21001	OIL BOLT M10X1.25X22L	2		
04-2	GA559WS04	WASHER, 10.2X15X1.2t	4		
05	W99805	WASHER	2		
06	GA510SR01	CLAMP L150	1		



ITEM NO	PART NO	DESCRIPTION	Q'TY	AMEND	NOTE
01	GF523TH04	LABEL, LUGGAGE BOX	1		
02	GF525TH12	LABEL, WARNING	1		