

SKYTEAM ST50SM/TR



PARTS CATALOGUE



hentet hos:

WWW.SKYTEAM-DK.DK

SKY TEAM CORPORATION LTD.

1104 CARNIVAL COMMERCIAL BLDG.
18 JAVA ROAD NORTH POINT HONGKONG
TEL:00852 25089428
FAX:00852 25089478
EMAIL:SKYTEAM_HK@HOTMAIL.COM
HTTP://WWW.SKYTEAM.NET.CN
WWW.SKYTEAM.CN

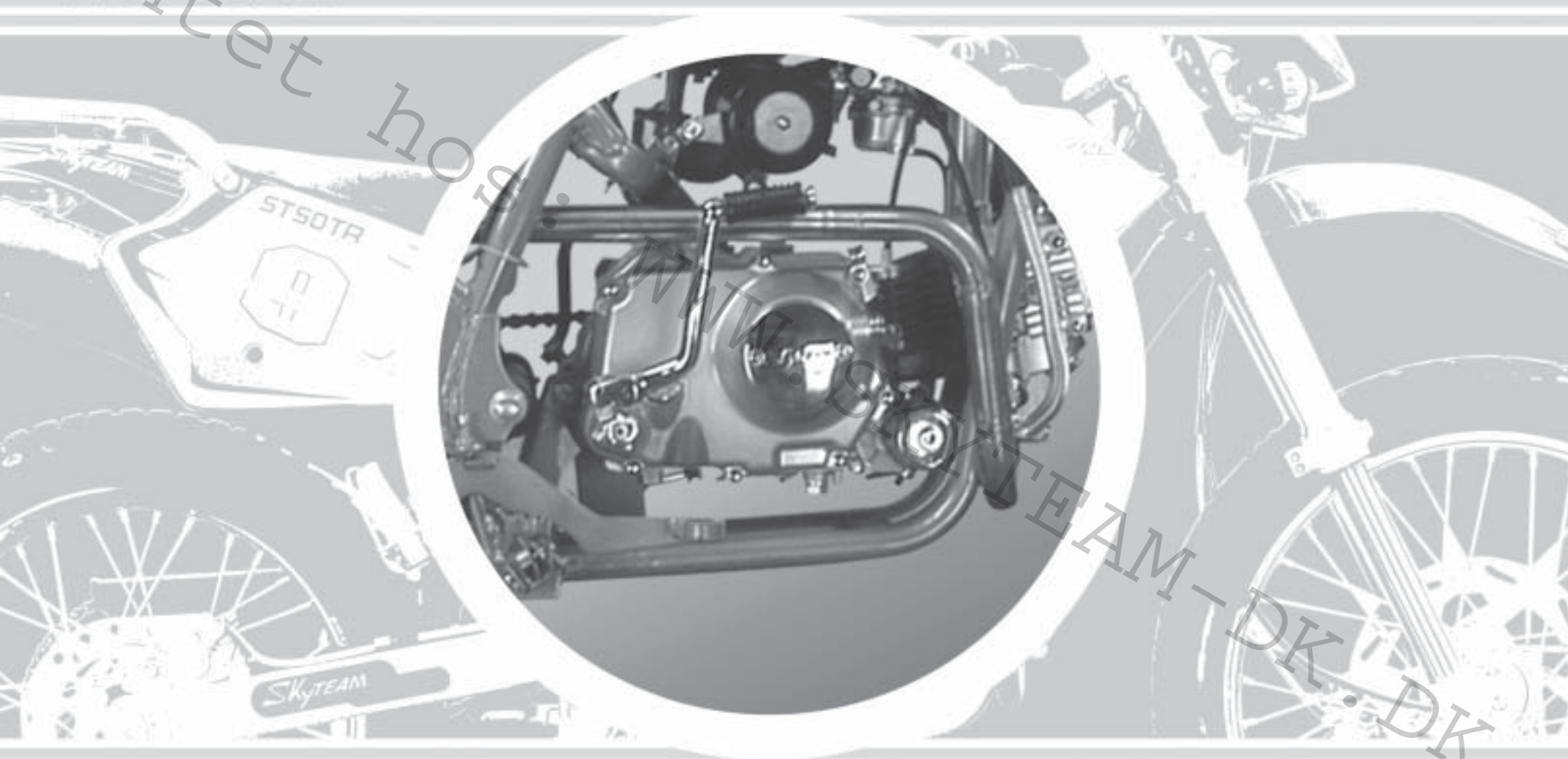
前 言

用户订购零件时请参考本册，若与实车不同之处，以实车为准。如欲知某零部件的名称、件号或装配关系，可按零部件的形状，在有关的插图中查找，可知其装配位置。然后按图上的序号在相应的表格中即可查到零部件的名称、件号和数量。后续更改，不再通知。

FOREWORD

Please make reference to this book when you plan to purchase the parts. Any difference against the real motorcycle, please do as per the real. To get information concerning a certain component part, first locate, by its shape, the part in the illustration which show its fitting position, then find out the reference number of that part and look it up the corresponding table where all information about the part are provided, such as the name, part number, quantity and/or its fitting relationship with other parts, Any modifications will not be informed ahead of time.

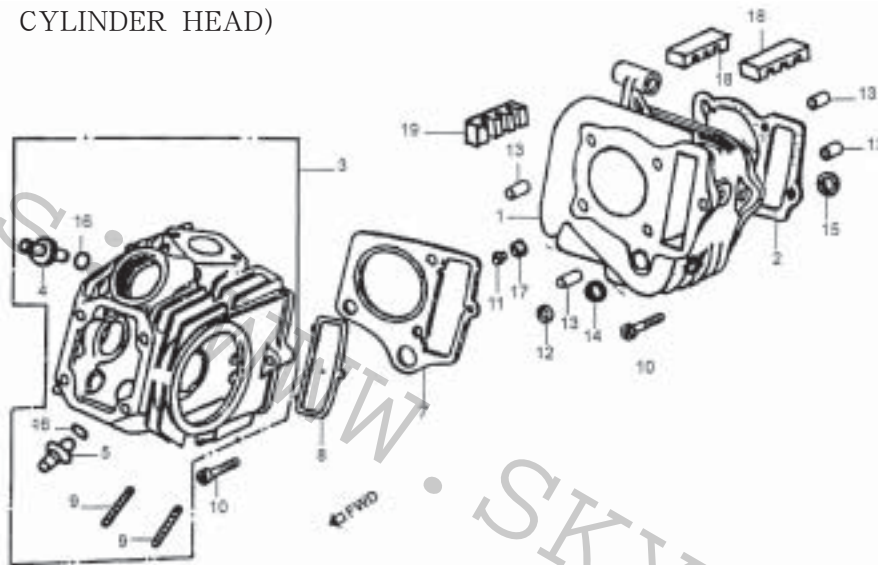
ST50 SM/TR



PARTS CATALOGUE — ENGINE



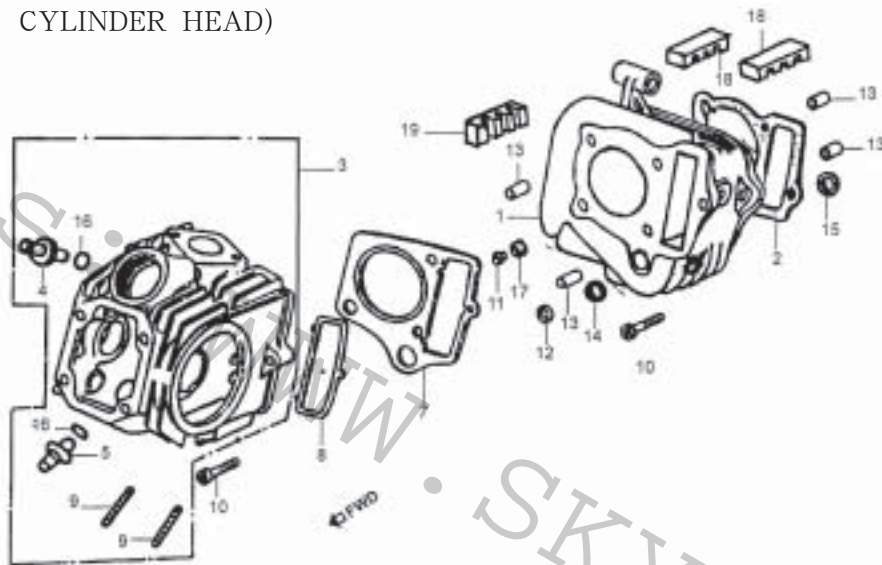
E-1 气缸、气缸头 (CYLINDER、CYLINDER HEAD)



序号 Ref.No.	零部件代号 Part No.	零部件名称及规格	Part Name And Standard	数量 Quantity	备注 Remark
1	139FMA-2.01-2	气缸	Cylinder(50cc)	1	
2	139FMA-2.01-1	气缸衬垫	Gasket, cylinder(50cc)	1	
3	139FMA-2.01.04	气缸头组合	Head comp, cylinder(50cc)	1	
4	01.01.01.04	进气门导管	Guide, in. valve	1	
5	01.01.01.05	排气门导管	Guide, ex. valve	1	
7	139FMA-2.01.01	气缸头衬垫	Gasket, cylinder(50cc)	1	
8	01.01.04.03	时规链条腔密封环	Seal, cam chain chamber	1	
9	01.01.01.07	双头螺栓 M6 × 32	Bolt, stud, 6 × 32	2	
10	01.01.00.30	螺栓 M6 × 23	Bolt, hex, 6 × 23	1	
11	01.01.00.33	衬套 9.5mm	Collar, 9.5mm	1	
12	01.01.00.27	垫圈 14.8mm	Collar, 14.8mm	1	
13	01.01.00.32	定位销 8 × 14	Pin, dowel, 8 × 14	4	
14	01.01.00.23	O型圈 14.5 × 2	O-ring, 14.5 × 2	1	
15	01.01.00.29	矩形圈 11.5 × 2.1	Packing, rubber, 11.5 × 2.1	1	
16	01.01.01.06	O型圈 9 × 1.6	O-ring, 9 × 1.6	2	



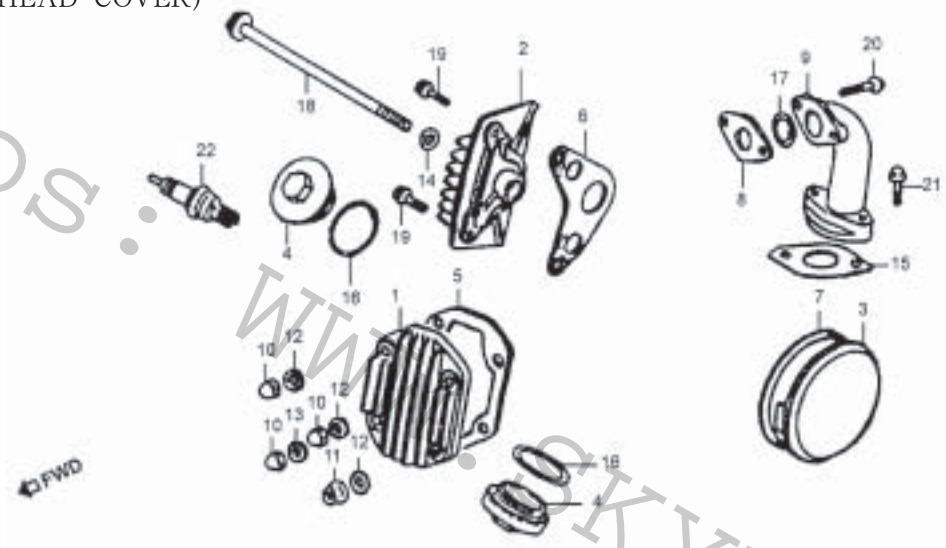
E-1 气缸、气缸头 (CYLINDER、CYLINDER HEAD)



序号 Ref.No.	零部件代号 Part No.	零部件名称及规格	Part Name And Standard	数量 Quantity	备注 Remark
17	01.01.00.34	矩形圈 9 × 1.35	Gasket, rubber, 9 × 1.35	1	
18	01.01.00.98	减震块 A	Block, vibration reduction	2	
19	01.01.00.99	减震块 B	Block, vibration reduction	1	



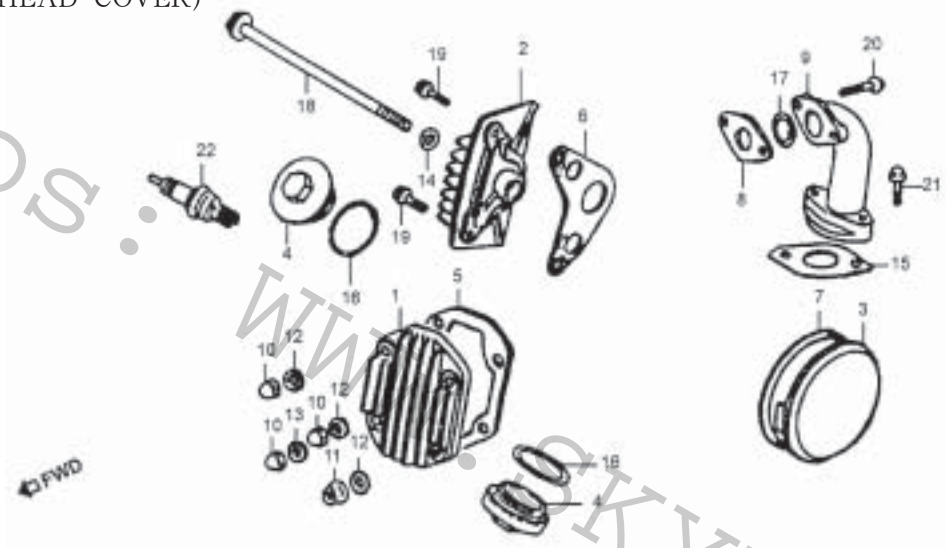
E-2 气缸头盖 (CYLINDER、HEAD COVER)



序号 Ref.No.	零部件代号 Part No.	零部件名称及规格	Part Name And Standard	数量 Quantity	备注 Remark
1	LC152FMH-2.01-40	气缸头盖	Cover, cylinder head	1	
2	LC152FMH-2.01.05	气缸头右盖	Cover, R. cylinder head side	1	
3	07.01.00.20	气缸头左盖	Cover, L. cylinder head side	1	
4	01.01.00.08	气门室盖	Cap, tappet adjusting hole	2	
5	LC152FMH-2.01-39	气缸头盖衬垫	Gasket, cylinder head cover	1	
6	LC152FMH-2.01-35	气缸头右盖衬垫	Gasket, R. cylinder head side cover	1	
7	01.01.00.21	气缸头左盖衬垫	Gasket, L. cylinder head side cover	1	
8	01.01.00.04-1	进气管隔热垫	Insulate(50cc)	1	
9	02.01.00.05-1	进气管	Pipe, in.(50cc)	1	
10	01.01.00.43	盖形螺母 M6	Nut, cap, 6mm	3	
11	01.01.00.43	盘形螺母 M6	Nut, flange, 6mm	1	
12	01.01.00.41	垫圈 6mm	Washer, sealing, 6mm	3	
13	01.01.00.42	垫圈 A6mm	Washer A, sealing, 6mm	1	
14	01.01.00.36	垫圈 6.5mm	Washer sealing, 6.5mm	1	
15	01.01.00.06-1	衬垫	Gasket, pipe, IN.(50cc)	1	



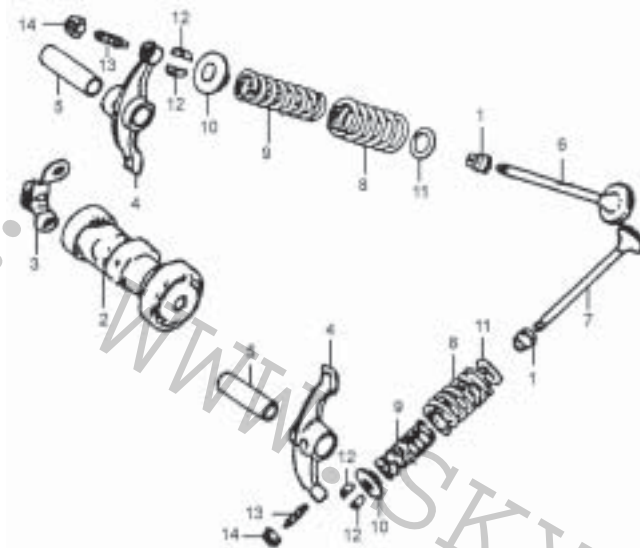
E-2 气缸头盖 (CYLINDER, HEAD COVER)



序号 Ref.No.	零部件代号 Part No.	零部件名称及规格	Part Name And Standard	数量 Quantity	备注 Remark
16	01.01.00.07	O形圈 30.8 × 3.2	O-ring, 30.8 × 3.2	2	
17	01.01.00.03	O形圈 25 × 2.4	O-ring, 25 × 2.4	1	
18	01.01.00.38	凸缘螺栓 M6 × 110	Block, flange, 6 × 110	1	
19	LC152FMH-2.01-2	凸形螺栓 M6 × 20	Bolt flange, 6 × 20	2	
20	LC152FMH-2.01-1	螺栓 M6 × 22	Bolt hex, 6 × 22	2	
21	LC152FMH-2.01.04	凸形螺栓 M6 × 28	Bolt, flange, 6 × 28	2	
22	01.01.01.04	火花塞 1137	Plug, spark(1137)	1	



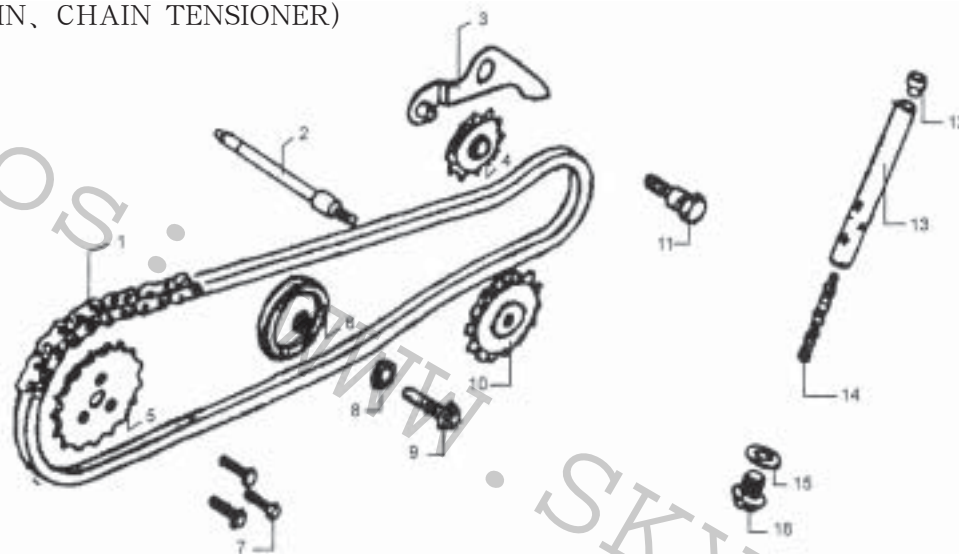
E-3 气门组 (CAMSHAFT VALVE)



序号 Ref.No.	零部件代号 Part No.	零部件名称及规格	Part Name And Standard	数量 Quantity	备注 Remark
1	01.01.05.00	气门油封	Seal, valve stem	2	
2	07.01.03.00	凸轮轴组件	Cam shaft comp	1	
3	07.01.00.45	止动板	Valve stopper	1	
4	01.01.00.11	气门摇臂	Rocker arm	2	
5	01.01.00.12	摇臂轴	Shaft rocker arm	2	
6	01.01.00.13-1	进气门	Valve, inlet(50cc)	1	
7	01.01.00.14-1	排气门	Valve, exhaust(50cc)	1	
8	01.01.11.16	气门外弹簧	Spring, valve outer	2	
9	01.01.00.17	气门内弹簧	Spring, valve inner	2	
10	01.01.00.18	气门内外弹簧座	Retainer	2	
11	01.01.00.15	气门外弹簧座	Seat outer	2	
12	01.01.00.19	气门锁夹	Cotter, valve	4	
13	01.01.00.10	气门间隙调整螺钉	Screw adjusting	2	
14	01.01.00.09	气门间隙锁紧螺母	Nut tappet adjusting	2	



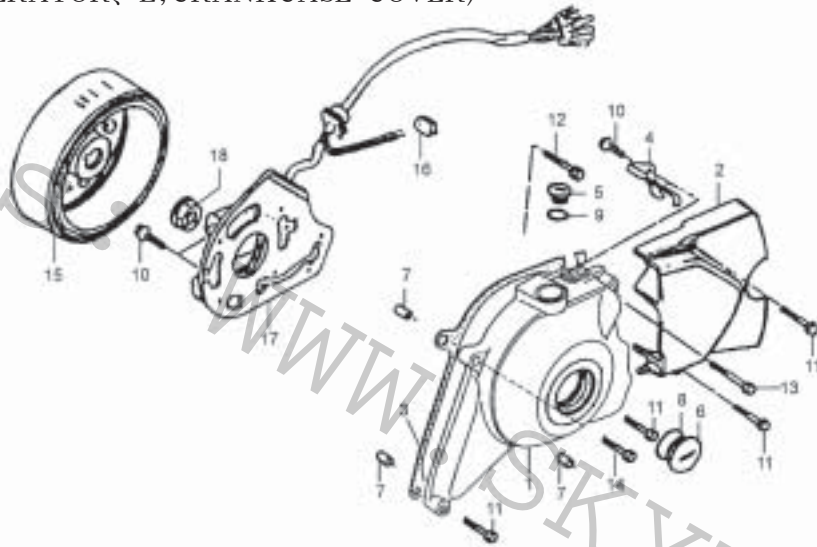
E-4 链条及张紧装置 (CHAIN、CHAIN TENSIONER)



序号 Ref.No.	零部件代号 Part No.	零部件名称及规格	Part Name And Standard	数量 Quantity	备注 Remark
1	01.01.00.44	正时链条	Chain, cam	1	
2	01.04.00.07	油泵链轮轴	Spindle, cam chain guide sprocket	1	
3	01.04.09.00	张紧臂	Arm comp, cam chain tensioner	1	
4	01.04.10.00	张紧滚轮	Roller, cam chain tensioner	1	
5	01.01.00.22	正时从动链轮	Sprocket, cam	1	
6	01.01.06.01	导向滚轮	Roller comp, cam chain guide	1	
7	01.01.00.23	螺栓 M5 × 12	Bolt, knock 5 × 12	3	
8	01.01.00.25	垫圈 8mm	Washer, sealing 8mm	1	
9	01.01.00.24	导向滚轮销轴	Pin, cam chain guide roller	1	
10	01.04.05.00	油泵链轮	Sprocket, cam chain guide	1	
11	01.04.00.25	张紧臂芯轴	Pivot, cam chain tensioner	1	
12	01.04.00.16	堵头	Head, cam chain tensioner push rod	1	
13	01.04.07.00	张紧杆	Rod comp, cam chain tensioner push	1	
14	01.04.00.15	张紧杆弹簧	Spring, cam chain tensioner	1	
15	01.04.00.14	垫圈 14mm	Washer, sealing 14mm	1	
16	01.04.00.13	螺塞 M14 × 1.5	Bolt, sealing 14 × 1.5	1	



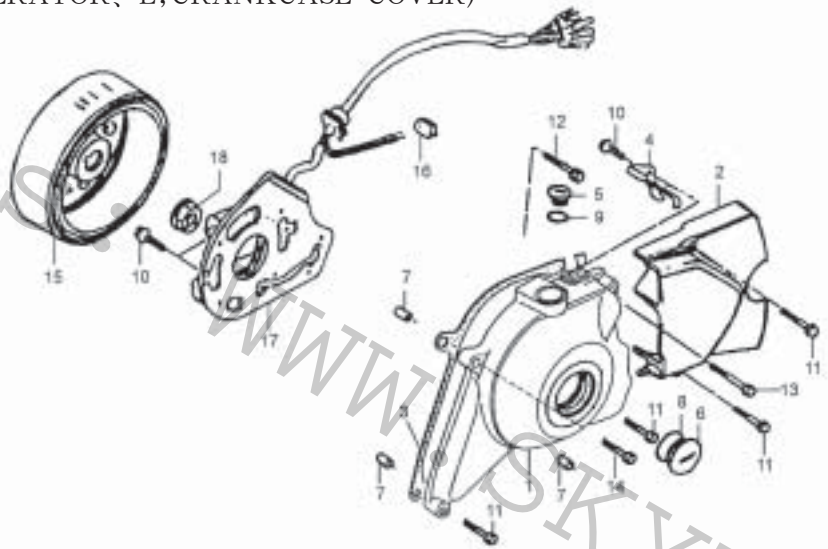
E-5 磁电机、左曲轴箱盖 (GENERATOR, L, CRANKCASE COVER)



序号 Ref.No.	零部件代号 Part No.	零部件名称及规格	Part Name And Standard	数量 Quantity	备注 Remark
1	02.02.06.00	左曲轴箱前盖	Cover, L crankcase	1	
2	02.02.00.01	左曲轴箱后盖	Cover, L Crankcase, RR	1	
3	02.02.06.06	左曲轴箱盖密封垫	Gasket, L grankcase	1	
4	02.09.00.01	磁电机线夹	Clamper, wire harness	1	
5	02.02.06.04	视孔盖 B	Cap B	1	
6	02.02.06.02	视孔盖 A	Cap A	1	
7	01.01.00.31	定位销 8 × 12	Pin dowel 8x12	2	
8	02.02.06.03	O形圈 27 × 2.0	O-ring 27 × 2.0	1	
9	02.02.06.05	O形圈 13.8 × 2.5	O-ring 13.8 × 2.5	1	
10	GB18-86	凸缘螺栓 M6 × 16	Bolt, flange 6 × 16	3	
11	01.00.00.01	凸缘螺栓 M6 × 28	Bolt, flange 6 × 28	3	
12	02.00.00.03	凸缘螺栓 M6 × 32	Bolt, flange 6 × 32	1	
13	01.04.00.21	凸缘螺栓 M6 × 50	Bolt, flange 6 × 50	1	
14	02.00.00.02	凸缘螺栓 M6 × 70	Bolt, flange 6 × 70	1	
15	02.09.07.01	飞轮	Flywheel COMP	1	



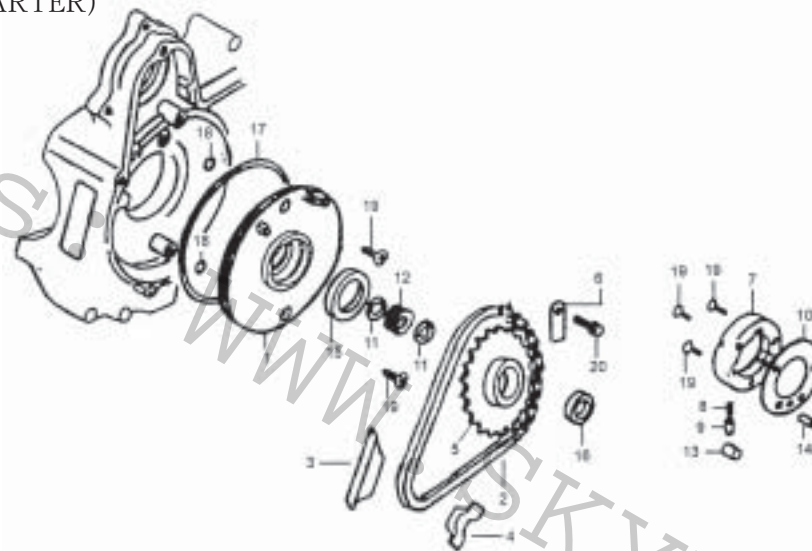
E-5 磁电机、左曲轴箱盖 (GENERATOR, L, CRANKCASE COVER)



序号 Ref.No.	零部件代号 Part No.	零部件名称及规格	Part Name And Standard	数量 Quantity	备注 Remark
16	02.09.01.99	空档开关索环	Rubber,neutral switch cord	1	
17	02.09.01.00	定子组件	Stator comp	1	
18	02.09.01.98	凸缘螺母 M10	Nut, flange 10mm	1	



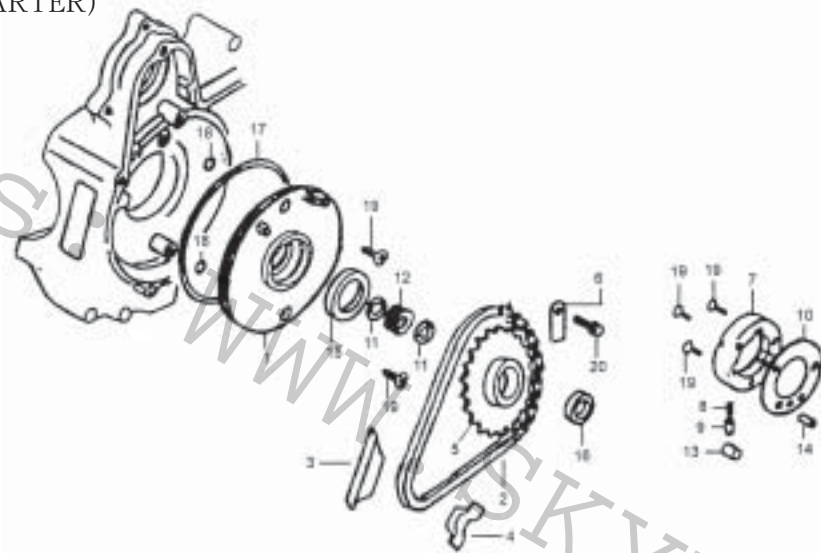
E-6 电起动装置 (ELECTRIC STARTER)



序号 Ref.No.	零部件代号 Part No.	零部件名称及规格	Part Name And Standard	数量 Quantity	备注 Remark
1	02.04.15.01	隔油盘	Plate, oil separator	1	
2	02.00.04.00	起动链条	Start chain	1	
3	02.04.02.04	起动链条导向板	Plate, guide chain	1	
4	02.04.02.05	起动链条护板	Plate, protect chain	1	
5	02.00.01.00	起动链轮组件	Start chain comp	1	
6	02.07.01.10	起动链轮定位板	Plate, set chain	1	
7	02.00.03.00	起动离合器壳体组件	Starter clutch outer assy	1	
8	02.00.03.01	离合器滚柱弹簧	Spring, clutch roller	3	
9	02.00.03.02	弹簧顶销	Pin, spring	3	
10	02.00.03.08	起动离合器侧板	Side plate, starter clutch	1	
11	9243/23.1	档圈 23mm	Circlip 23mm	2	
12	8x10III+3/30 GB4661-84	滚针轴承 19 × 23 × 13	Needle bearing 19 × 23 × 13	1	
13	02.00.03.03	离合器滚柱 10 × 10	Clutch roller 10 × 10	3	
14	02.00.03.04	销轴 5 × 11.8	Pin 5 × 11.8	1	
15	02.04.15.02	油封 30 × 42 × 4.5	Oil seal 30 × 42 × 4.5	1	



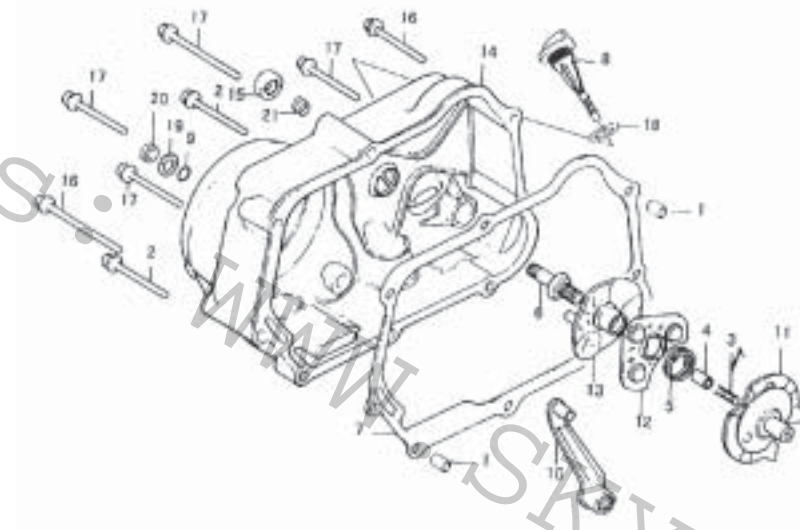
E-6 电起动装置 (ELECTRIC STARTER)



序号 Ref.No.	零部件代号 Part No.	零部件名称及规格	Part Name And Standard	数量 Quantity	备注 Remark
16	01.09.02.00	油封 18.9 × 28 × 5	Oil seal 18.9 × 28 × 5	1	
17	01.09.01.02	O形圈 107 × 2	O-ring 107 × 2	1	
18	01.04.00.08	O形圈 6 × 1.7	O-ring 6 × 1.7	2	
19	GB819-86	螺钉 M6 × 16	Screw 6 × 16	3	
20	GB818-86	螺钉 M6 × 10	Screw 6 × 10	1	



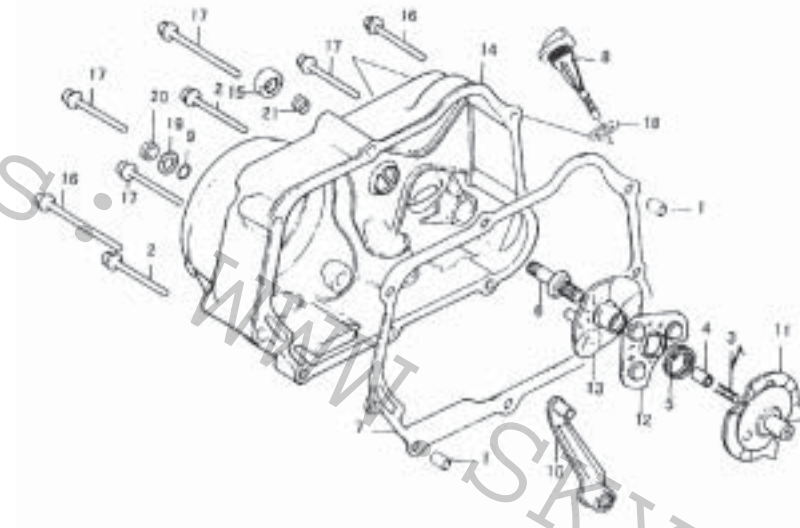
E-7 右边盖 (RIGHT COVER)



序号 Ref.No.	零部件代号 Part No.	零部件名称及规格	Part Name And Standard	数量 Quantity	备注 Remark
1	100027	定位衬套	DOWEL PIN	2	
2	M6 × 65 HwMHWZn	六角垫圈螺栓	SCREW	2	
3	130013	回转体中心弹簧	SPRING	1	
4	130014	回转体中心套	ROTART BODY CENTER BUSH	1	
5	130015	分离弹簧	SPRING	1	
6	130016	分座螺钉	SCREW	1	
7	130017C	右盖密封垫	R.CASE COVER GASKET	1	
8	130018	油标盖	OIL LEVER	1	
9	130022	O形封严圈	GAUGE	1	
10	130500	拨杆组件	LEVER COMP	1	
11	130600	拨杆回转体组件	LEVER AND ROTARY BODY COMP	1	
12	130700	滚珠架组件	BALL-RACE COMP	1	
13	130800	回转体支座组件	SUPPORT COMP,ROTARY BODY	1	
14	130900	机匣右盖组件	R,CASE COVER COMP	1	
15	130100	传动轴端皮碗	OIL SEAL	1	



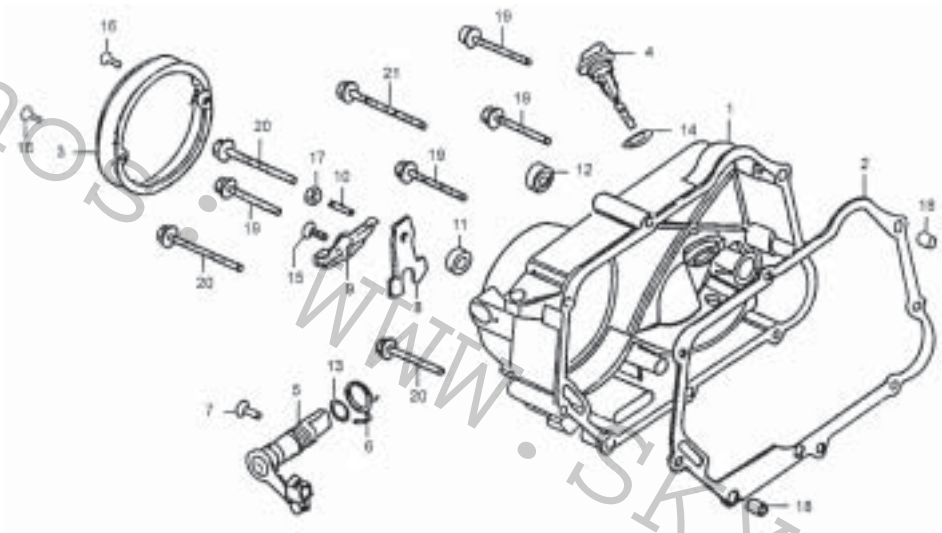
E-7 右边盖 (RIGHT COVER)



序号 Ref.No.	零部件代号 Part No.	零部件名称及规格	Part Name And Standard	数量 Quantity	备注 Remark
16	M6 × 35 HwMHWZn	六角垫圈螺栓	BOLT	2	
17	M6 × 40 HwMHWZn	六角垫圈螺栓	BOLT	4	
18	7D17-J7-18.5-2.6	O形封严圈	O-RING	1	
19	GB848-85 8-140HV-Zn.D	小垫圈	WASHER	1	
20	GB6170-86 M8-8-Zn.D	六角螺母	NUT	1	



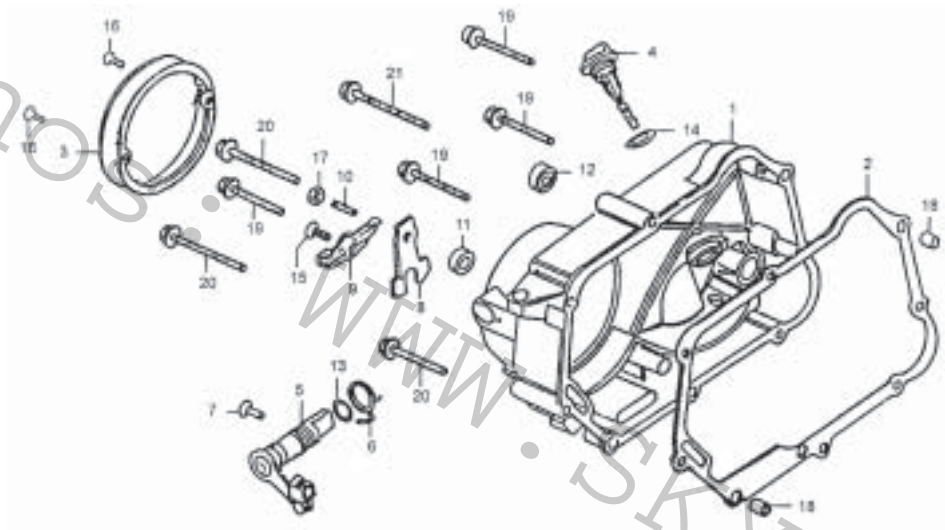
E-8 右曲轴箱盖 (RIGHT CRANKCASE COVER)



序号 Ref.No.	零部件代号 Part No.	零部件名称及规格	Part Name And Standard	数量 Quantity	备注 Remark
1	LX147FM-I.07.01	右曲轴箱盖	Cover comp, R. crankcase	1	
2	LX147FM.07-2	右曲轴箱盖密封垫	Gasket R cover	1	
3	LX150FM.07-6	离合器盖	Cover clutch	1	
4	LX150FM-I.07-11	机油标尺	Oil level meter	1	
5	LX150FM-I.07.02	离合器凸轮轴组件	Tappet	1	
6	LX147FM.07-3	离合器凸轮轴弹簧	Tappet spring	1	
7	LX147FM.07-5	离合器凸轮轴定位销	Tappet pin	1	
8	LX147FM.07-8	离合器拨板	Plate	1	
9	LX147FM.07-10	离合器压板	Plate	1	
10	LX147FM.07-9	调整螺钉	Adjusting screw	1	
11	LX147FM.07.04	油封	Seal ring	1	
12	LX147FM.07.05	油封	Seal ring	1	
13	LX147FM.07-4-	O型密封圈	O-ring	1	
14	LX147FM.07-12	O型密封圈	O-ring	1	
15	GB819-85	螺钉 M6 × 16	Screw M6 × 16	1	



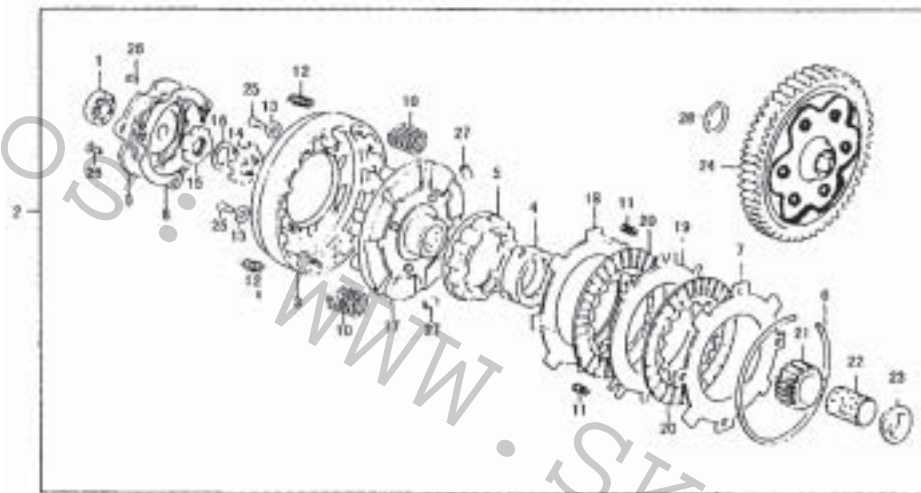
E-8 右曲轴箱盖 (RIGHT CRANKCASE COVER)



序号 Ref.No.	零部件代号 Part No.	零部件名称及规格	Part Name And Standard	数量 Quantity	备注 Remark
16	GB819-85	螺钉 M5 × 16	Screw M5 × 16	2	
17	GB6172-86	螺母	Nut	1	
18	LX147FM.01-31	定位销	Pin	2	
19	JH70.20016	螺栓 M6 × 40	Bolt M6 × 40	5	
20	JH70.20017	螺栓 M6 × 80	Bolt M6 × 80	1	
21	JH70.20018	螺栓 M6 × 65	Bolt M6 × 65	2	



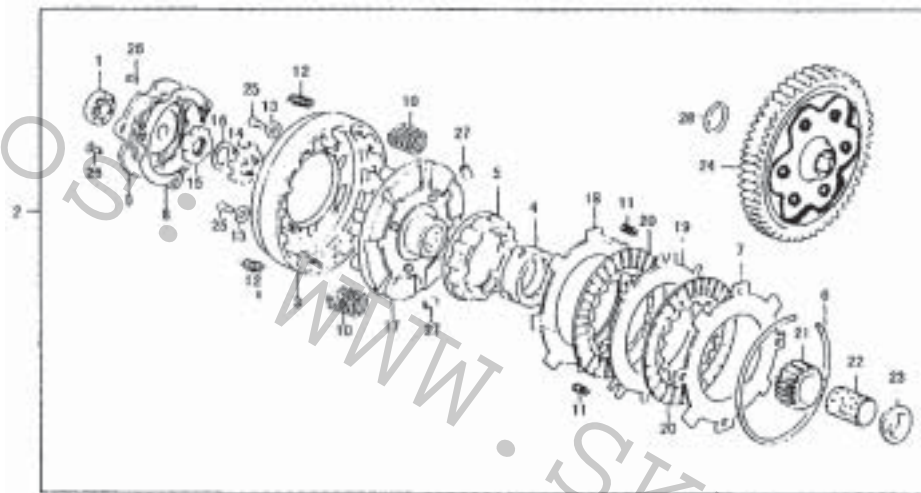
E-9 离合器 (CLUTCH)



序号 Ref.No.	零部件代号 Part No.	零部件名称及规格	Part Name And Standard	数量 Quantity	备注 Remark
1	100 GB276-64	滚珠轴承	BEARING	1	
2	130000-1C	离合器组件	CLUTCH ASSY	1	
3	130001	离合器外壳	CLUTCH SHELL	1	
4	130002	传动轴外套	CLUTCH OUTER	1	
5	130003	传动轴外套	CLUTCH CENTER	1	
6	130004	卡圈	SETRING	1	
7	130005	摩擦前垫圈	WASHER	1	
8	130007	密封垫	GASKET	1	
9	130008	前盖	COVER	1	
10	130009	压紧弹簧	SPRING	2	
11	130010	自松弹簧	SPRING	2	
12	130011	缓冲弹簧	SPRING	2	
13	130012	垫片	WASHER	2	
14	130019	锁片	LOCKER	1	
15	130020	圆扁螺母	NUT	1	



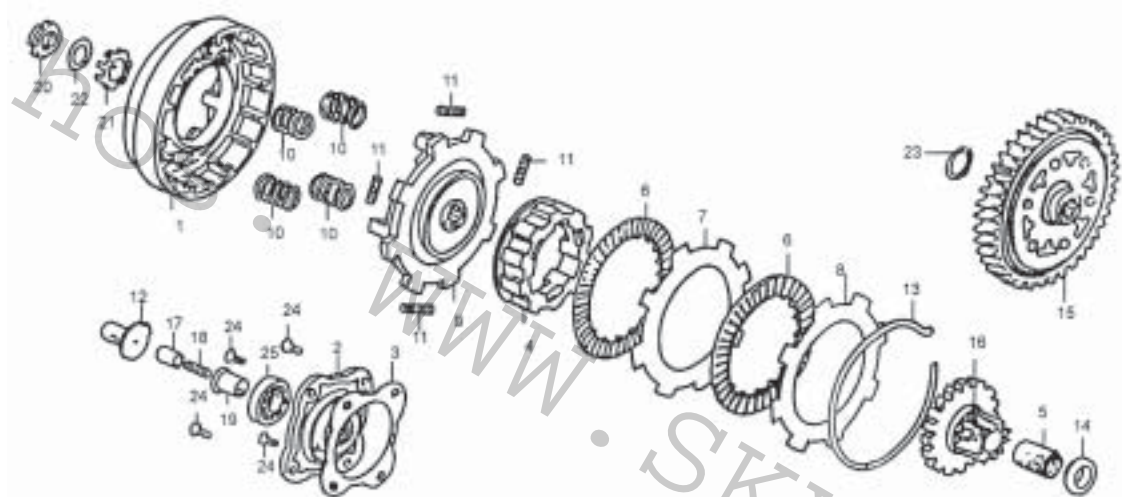
E-9 离合器 (CLUTCH)



序号 Ref.No.	零部件代号 Part No.	零部件名称及规格	Part Name And Standard	数量 Quantity	备注 Remark
16	130021	碟形垫圈	SAUCER WASHER	1	
17	130100	离合器架组件	CLUTCH HOLDER	1	
18	130200	摩擦后垫片组件	WASHER	1	
19	130300A	外摩擦片组件	OUTER DISK CLUTCH FRICTION	1	
20	130400A	内摩擦片组件	CLUTCH FRICTION	2	
21	140001	曲轴齿圈	PRIMARY DRIVE GEAR	1	
22	140002	齿圈衬套	GUIDE	1	
23	140003	端面支撑面	COLLAR	1	
24	140100	中间齿轮组合	PRIMARY DRIVEN GEAR	1	
25	M5 × 10 GB818-76-35-Zn.D	十字槽平圆头螺钉	SCREW	2	
26	M5 × 10 GB819-76-35-Zn.D	十字槽沉头螺钉	SCREW	2	
27	8 × 10III+3/30 GB4661-84	圆柱滚子	ROLLER	2	
28	150003	卡圈	SETRING	1	



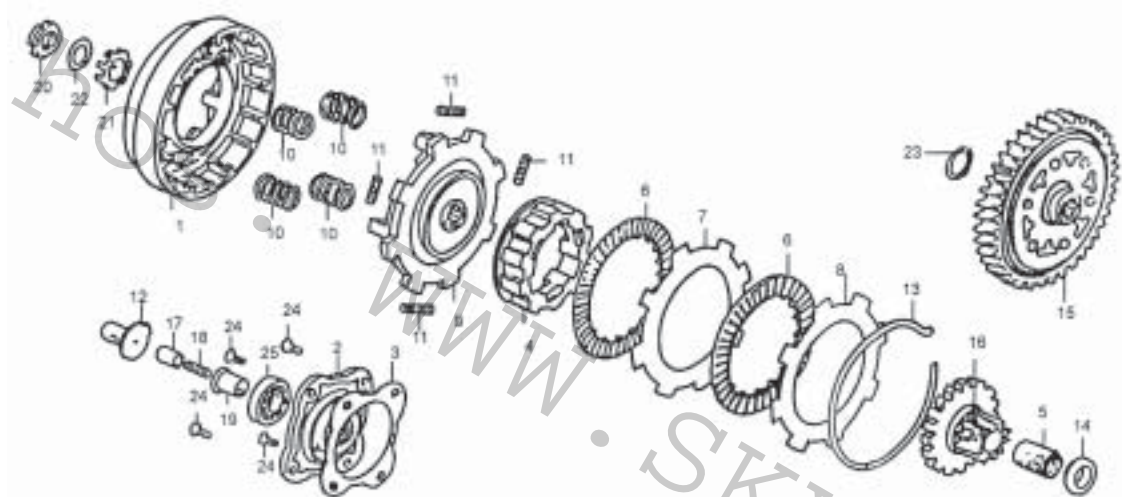
E-10 离合器 (CLUTCH)



序号 Ref.No.	零部件代号 Part No.	零部件名称及规格	Part Name And Standard	数量 Quantity	备注 Remark
1	LX147FM.06-9	离合器外罩	Clutch cover	1	
2	LX147FM.06-15	离合器端盖	Plate, clutch lifter	1	
3	LX147FM.06-14	离合器端盖密封垫	Gasket	1	
4	LX147FM.06-4	主动齿轮外套	Driving gear cover	1	
5	LX147FM.06-2	轴套	Bush	1	
6	LX147FM.06.01	摩擦盘	Friction plate	2	
7	LX147FM.06-7	离合器下板	Up plate	1	
8	LX147FM.06-5	离合器上板	Down plate	1	
9	LX147FM.06-8	主动盘	Driving gear	1	
10	LX147FM.06-10	弹簧	Spring	4	
11	LX147FM.06-19	离合器减震簧	Damper spring	4	
12	LX147FM.07.03	离合器推杆组件	Clutch lever	1	
13	LX147FM.06-6	弹性挡圈	Spring washer	1	
14	LX147FM.06-1	套圈	Washer	1	
15	LX147FM.05.03	从动齿轮组件	Driven gear comp	1	



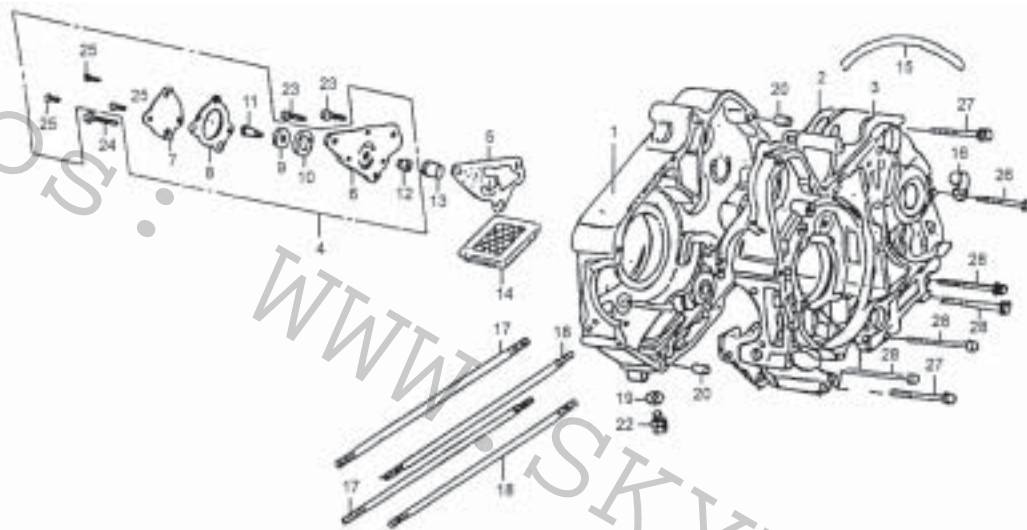
E-10 离合器 (CLUTCH)



序号 Ref.No.	零部件代号 Part No.	零部件名称及规格	Part Name And Standard	数量 Quantity	备注 Remark
16	LX147FM.06-3	主动齿轮	Driving gear	1	
17	LX147FM.06-17	通油管	Oil pipe in	1	
18	LX147FM.06-18	通油套管弹簧	Spring	1	
19	LX147FM.06-16	通油套管	Guide pipe	1	
20	LX147FM.06-11	圆螺母	Nut	1	
21	LX147FM.06-13	止退垫圈	Washer thrust	1	
22	LX147FM.06-12	碟形垫圈	Washer lock	1	
23	LX147FM.05.01-6	挡圈	Circlip	1	
24	GB819-85	螺钉	Screw	4	
25	GB276-82	轴承 100	Bearing redial ball 100	1	

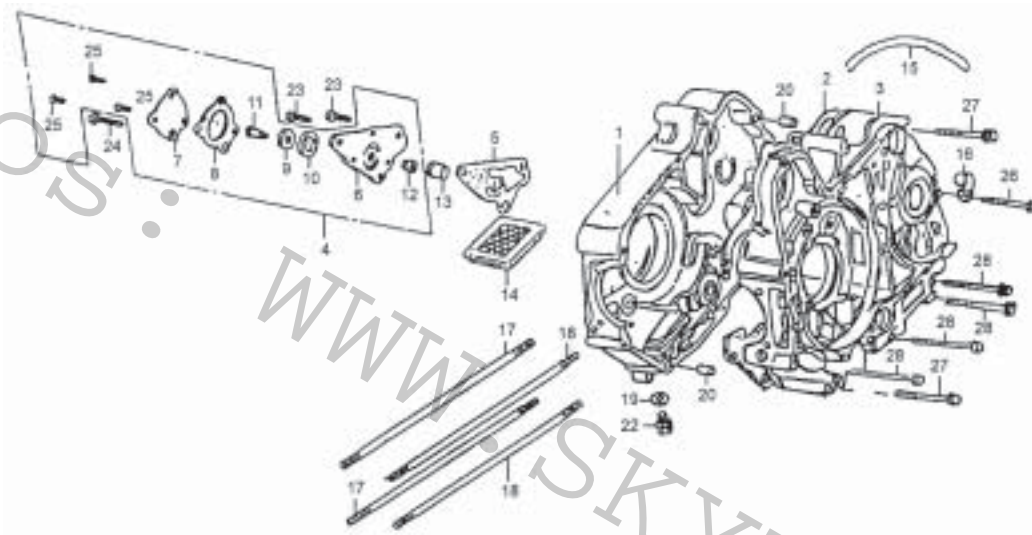


E-11 曲轴箱、机油泵 (CRANKCASE、OIL PUMP)



序号 Ref.No.	零部件代号 Part No.	零部件名称及规格	Part Name And Standard	数量 Quantity	备注 Remark
1	101102C-1	右曲轴箱	Crankcase comp, R,(50cc)	1	
2	01.04.00.01-1	曲轴箱衬垫	Gasket, crankcase(50cc)	1	
3	101002C-1	左曲轴箱	Crankcase comp, L,(50cc)	1	
4	01.04.06.00	机油泵	Pump assy, oil	1	
5	01.04.00.10	机油泵衬垫	Gasket, oil pump body	1	
6	01.04.06.01	机油泵体	Body, oil pump	1	
7	01.04.06.04	机油泵盖	Cover, oil pump	1	
8	01.04.06.05	机油泵盖衬垫	Gasket, oil pump cover	1	
9	01.04.06.06	机油泵内转子	Rotor, oil pump, inner	1	
10	01.04.06.07	机油泵外转子	Rotor, oil pump, outer	1	
11	01.04.06.03	机油泵轴	Driveshaft, oil pump	1	
12	01.04.06.02	机油泵轴套	Pin, oil pump lock	1	
13	01.04.00.09	机油泵链轮轴套	Pivot, oil pump	1	
14	01.04.04.00	机油过滤网组件	Screen, oil filter	1	
15	01.04.00.24	通气管	Tube, breather	1	

E-11 曲轴箱、机油泵 (CRANKCASE、OIL PUMP)



序号 Ref.No.	零部件代号 Part No.	零部件名称及规格	Part Name And Standard	数量 Quantity	备注 Remark
16	01.04.00.28	管夹			
17	01.04.00.07	双头螺栓 A			
18	01.04.00.26				
19	01.04.00.12				
20	01.04.00.18				
22	01.04.00.11				
23	Gb818-86				
24	BG818-86				
25	GB818-86				
26	01.04.00.21				
27	01.04.00.19				
28	01.04.00.17				

ST50 SM/TR



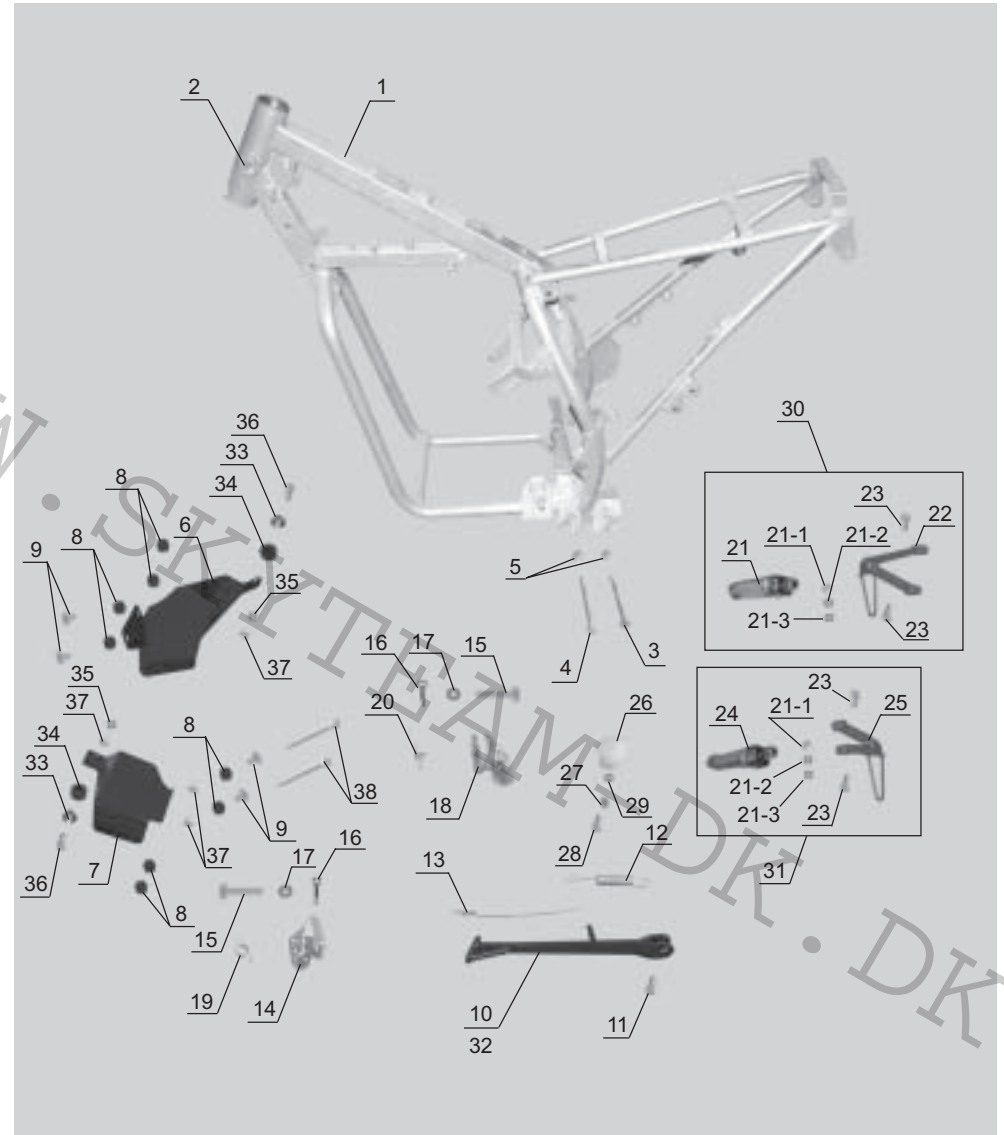
PARTS CATALOGUE — VEHICLE



SKYTEAM ST50 SM/TR

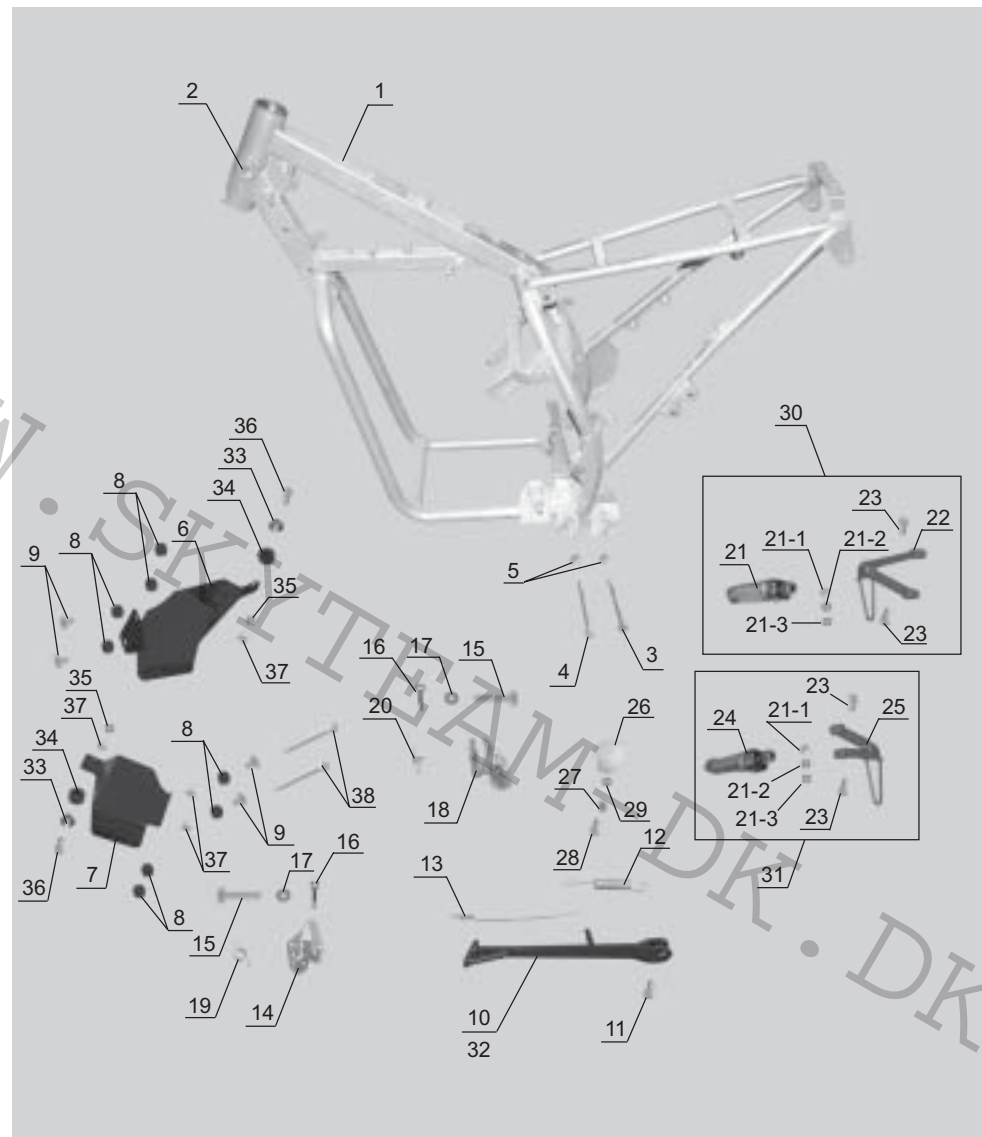
PARTS CATALOGUE — VEHICLE

序	件号	英文名称	中文名称	数量	SM	TR
1	44100-18A00	Frame	车架焊接组件	1	✓	✓
2	41112-Y1000	Anti-theft device	锁座	1	✓	✓
3	44141-18A00	Bolt	发动机上安装螺栓	1	✓	✓
4	44142-18A00	Bolt	发动机下安装螺栓	1	✓	✓
5	GB6187-86 M8-Zn.DB	Self-locking nut	自锁螺母	2	✓	✓
6	41181-Y1000	Right fender	发动机前部右保护板	1	✓	✓
7	41182-Y1000	Left fender	发动机前部左保护板	1	✓	✓
8	34555-Y1000	Rubber	缓冲垫	8	✓	✓
9	46125-Y1000	Spacer	衬套	4	✓	✓
10	42310-Y1000	Side Stand(SHORTER)	单撑组件	1	✓	X
11	42311-Y1000	Stand screw	单撑螺栓	1	✓	✓
12	42312-Y1000	Stand spring	单撑回位弹簧	1	✓	✓
13	42314-Y1000	Stand spacer	单撑内弹簧	1	✓	✓
14	43510-Y1000	Left front foot set	左前脚踏组件	1	✓	✓
15	GB882-86 B8X40-Zn.DB	Pin	圆栓销	2	✓	✓
16	GB91-86 3.2X20-Zn.DB	Cotter pin	开口销	2	✓	✓
17	GB97.1-85 8-140HV-Zn.DB	Washer	平垫圈	2	✓	✓
18	43520-Y1000	Right front foot set	右前脚踏组件	1	✓	✓
19	43511-Y1000	Left front foot rset spring	左前脚踏回位弹簧	1	✓	✓
20	43521-Y1000	Right front foot rset spring	右前脚踏回位弹簧	1	✓	✓
21	43620-Y1000	Right rear foot set	右后脚踏	1	✓	✓
21-1	GB6170-86 M10X1.25-Zn.DB	Nut	螺母	2	✓	✓
21-2	GB97.1-85 10-Zn.DB	Washer	垫圈	2	✓	✓
21-3	GB859-86 10-Zn.DB	Lock washer	弹簧垫片	2	✓	✓
22	43610-Y1000	Right rear foot rest support	右后脚踏支架	1	✓	✓
23	GB70-85 M8X20-Zn.DB	Bolt	螺栓	4	✓	✓
24	43720-Y1000	Left rear foot set	左后脚踏	1	✓	✓
25	43710-Y1000	Left rear foot rest support	左后脚踏支架	1	✓	✓
26	64541-Y1000	Under chain tensioner roller	链条下涨紧轮	1	✓	✓



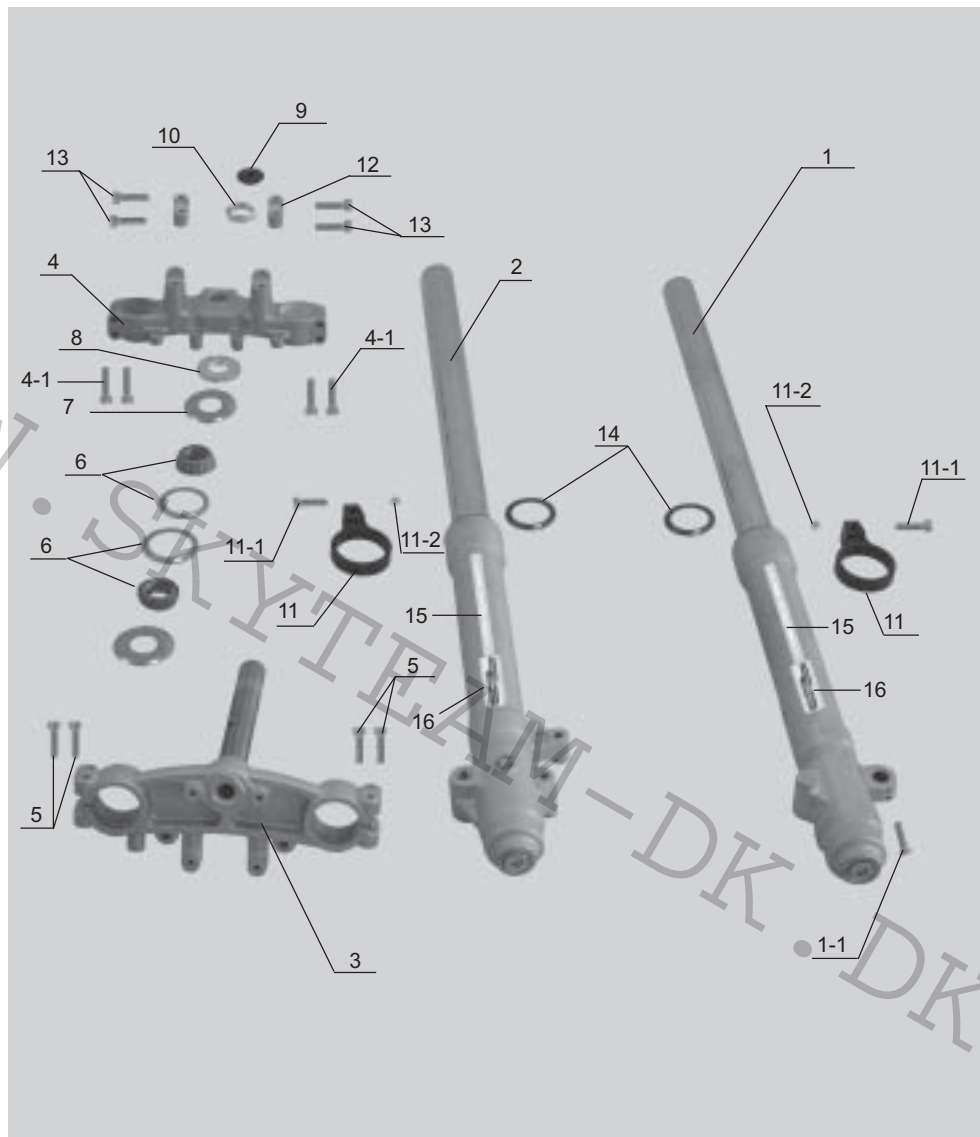


序	件号	英文名称	中文名称	数量	SM	TR
27	64532-Y1000	Spacer	衬套	2	✓	✓
28	GB70-85 M8X45-Zn,DH	Bolt	螺栓	2	✓	✓
29	GB97.1-85 8-140HV-Zn,DB	Washer	平垫圈	2	✓	✓
30	43600-Y1000	Right rear foot set ASSY	右后脚踏总成	1	✓	✓
31	43700-Y1000	Left rear foot set ASSY	左后脚踏总成	1	✓	✓
32	42310-Y1010	Side stand	单撑	1	X	✓
33	46125-Y1000	Spacer	台阶衬套	2	✓	✓
34	46123-Z1000	Rubber	缓冲垫	2	✓	✓
35	GB96-85 ϕ 6	Whasher	大垫圈	2	✓	✓
36	GB70-85 M6X25	Bolt	螺栓	2	✓	✓
37	GB6187 M6	Nut	自锁螺母	4	✓	✓
38	GB70-85 M6X75	Bolt	螺栓	2	✓	✓



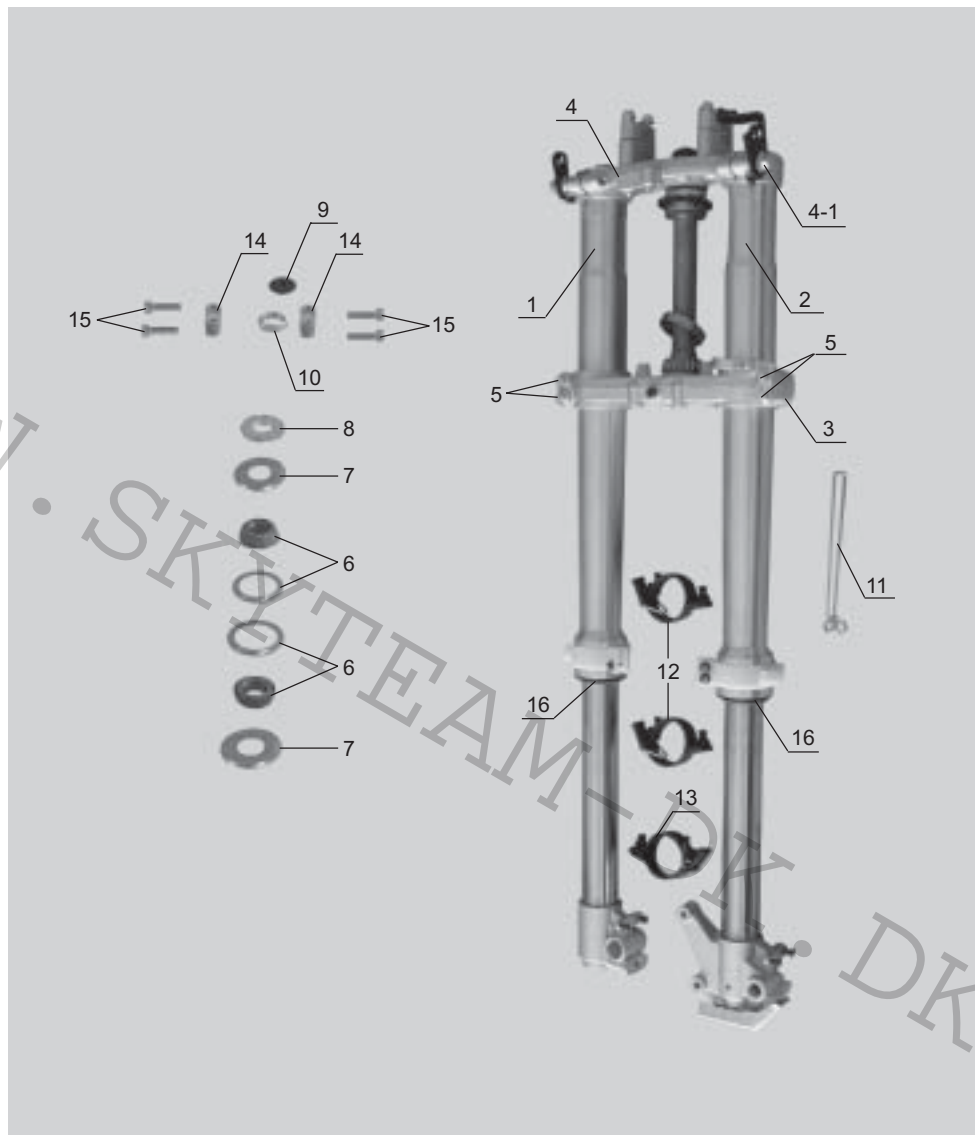


序	件号	英文名称	中文名称	数量	SM	TR
1	51160-18A00	Right arm assembly	前右减震器组件	1	✓	✓
1-1	GB70-85 M6X35-Zn.DB	Bolt	螺栓	2	✓	✓
2	51150-18A00	left arm assembly	前左减震器组件	1	✓	✓
3	51410-Y1000	Under bracket	下联板组件	1	✓	✓
4	51310-Y1000	Handle crown	上联板	1	✓	✓
4-1	GB70-85 M8X45-Zn.DB	Bolt	螺栓	4	✓	✓
5	GB70-85 M8X50-Zn.DB	Bolt	螺栓	4	✓	✓
6	32005GB/T297-94	Bearing set 32005	圆锥滚子轴承 32005	2	✓	✓
7	51614-Y1000	Washer	方向柱垫圈	2	✓	✓
8	51615-Y1000	Nut	方向柱螺母	1	✓	✓
9	51616-Y1000	Rubber Cap	橡胶盖	1	✓	✓
10	51617-Y1000	Nut	支柱顶螺母	1	✓	✓
11	58211--Y1000	Clip	固定夹	2	✓	✓
11-1	GB70-85 M5X16-Zn.DB	Bolt	螺栓	2	✓	✓
11-2	GB6170-86 M5-14HV-Zn.DB	Nut	螺母	2	✓	✓
12	56120-Y1000	Upper Handlebar holder	上把手座	2	✓	✓
13	GB70-85 M8X30-Zn.DB	Bolt	螺栓	4	✓	✓
14	51170-Y1000	Oil Seal	前减油封	2	✓	✓
15	90001-Y1000	Sticker	前减贴画	2	✓	✓
16	90002-Y1000	Sticker	前减贴画	2	✓	✓





序	件号	英文名称	中文名称	数量	SM	TR
1	51160-Y1010	Right arm assembly	前右减震器组件	1	✓	✓
2	51150-Y1010	left arm assembly	前左减震器组件	1	✓	✓
3	51410-Y1010	Under bracket	下联板组件	1	✓	✓
4	51310-Y1010	Handle crown	上联板	1	✓	✓
4-1	GB5787-86 M10x1.25x45	Bolt	螺栓	2	✓	✓
5	GB5787-86 M10x1.25x50	Bolt	螺栓	4	✓	✓
6	32005GB/T297-94	Bearing set 32005	圆锥滚子轴承 32005	2	✓	✓
7	51614-Y1000	Washer	方向柱垫圈	2	✓	✓
8	51615-Y1000	Nut	方向柱螺母	1	✓	✓
9	51616-Y1000	Rubber Cap	橡胶盖	1	✓	✓
10	51617-Y1000	Nut	支柱顶螺母	1	✓	✓
11	58409-Y1000	Clip	固定圈	1	✓	✓
12	35109-Y1000	Rubber Band (1)	橡胶带 (1)	2	✓	✓
13	35108-Y1000	Rubber Band (2)	橡胶带 (2)	1	✓	✓
14	56120-Y1010	Upper Handlebar holder	上把手座	2	✓	✓
15	GB70-85 M8X30-Zn, DB	Bolt	螺栓	4	✓	✓
16	51151-Y1010	Oil Seal	前减油封	2	✓	✓





序	件号	英文名称	中文名称	数量	SM	TR
1	62100-Y1000	Rear shock absorber	后减震器总成	1	✓	✓
2	GB70-85 M10X1.25X50-Zn.DB	Bolt	上安装螺栓	1	✓	✓
3	GB70-85 M10X1.25X45-Zn.DB	Bolt	下安装螺栓	1	✓	✓
4	GB97.1-85 10-140HV-Zn.DB	Washer	平垫圈	2	✓	✓
5	GB6187-86 M10X1.25-Zn.DB	Self-locking nut	自锁螺母	1	✓	✓

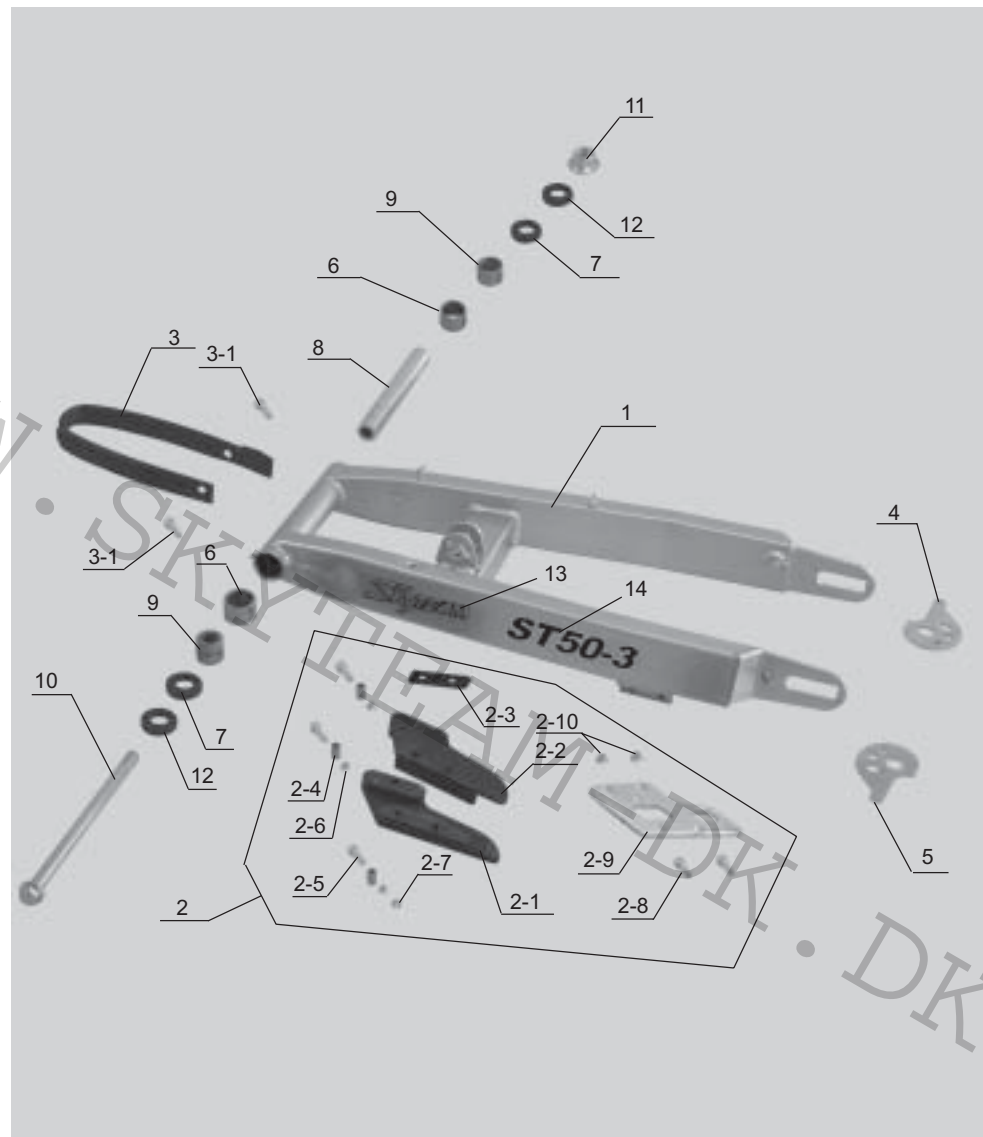




SKYTEAM ST50 SM/TR

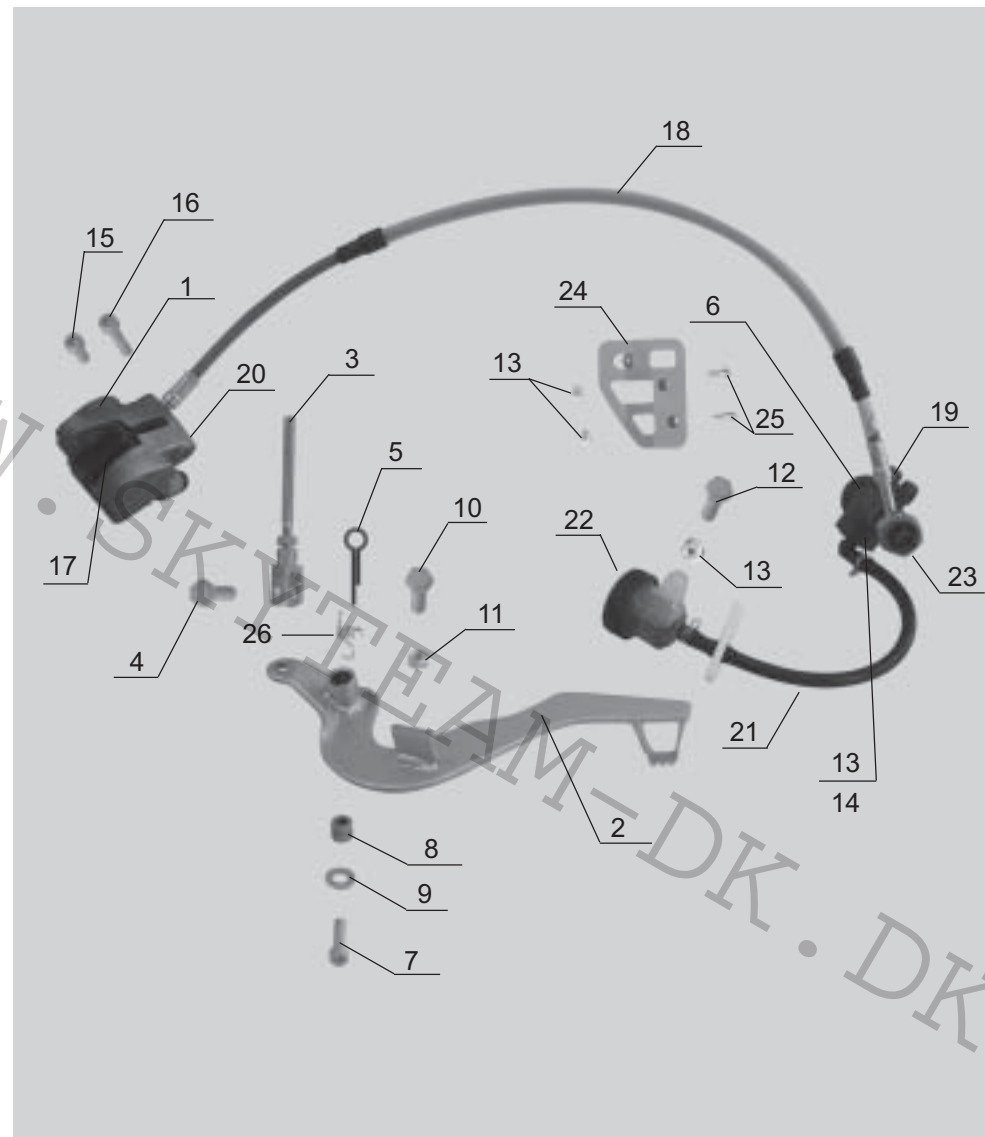
PARTS CATALOGUE — VEHICLE

序	件号	英文名称	中文名称	数量	SM	TR
1	61100-18A00	Swingarm	后平叉总成	1	✓	✓
2	64520-Y1000	Rubber bushing	保护垫	1	✓	✓
2-1	64522-Y1000	Rubber bushing (L)	保护垫左部	1	✓	✓
2-2	64523-Y1000	Rubber bushing (R)	保护垫右部	1	✓	✓
2-3	64524-Y1000	Linking Plate	连接板	1	✓	✓
2-4	64525-Y1000	Spacer	衬套	3	✓	✓
2-5	GB819-85 M5X45-Zn.DH	Screw	沉头螺钉	3	✓	✓
2-6	GB6170-86 M5-Zn.DH	Nut	螺母	3	✓	✓
2-7	GB97.1-85 5-140HV-Zn.DH	Washer	平垫圈	1	✓	✓
2-8	GB819-85 M6X16-Zn.DH	Screw	沉头螺钉	2	✓	✓
2-9	64521-Y1000	Stay	保护垫安装板	1	✓	✓
2-10	GB6187-86 M6-Zn.DB	Self-locking nut	自锁螺母	2	✓	✓
3	61273-Y1000	Chain support	链条防触缓冲垫	1	✓	✓
3-1	GB819-85 M8X14-Zn.DB	Screw GB819-85mb-Zn.DB	沉头螺钉	2	✓	✓
4	61221-Y1000	Right chain puller	右链条调节器	1	✓	✓
5	61222-Y1000	Left chain puller	左链条调节器	1	✓	✓
6	NK22/20	Bearing Nk2220	滚针轴承	2	✓	✓
7	61274-Y1000	Oil seal	密封圈	2	✓	✓
8	61276-Y1000	Spacer	中间轴套	1	✓	✓
9	61275-Y1000	Spacer	轴套	2	✓	✓
10	61211-Y1000	Swing arm axle	后平叉轴	1	✓	✓
11	GB6187-86 M14X1.5-Zn.DB	Self-locking nut	自锁螺母	1	✓	✓
12	61277-Y1000	Dust cover	防尘盖	2	✓	✓
13	90003-Y1000	Sticker	商标贴画	1	✓	✓
14	90004-Y1000	Sticker (ST125)	型号贴画 (ST50-3)	2	✓	✓





序	件号	英文名称	中文名称	数量	SM	TR
1	69000—Y1000	Rear brake ASSY	后制动总成	1	✓	✓
2	43310—Y1000	Brake pedal ASSY	刹车踏杆组件	1	✓	✓
3	43320—Y1000	Tappet ASSY	顶杆组件	1	✓	✓
4	GB882—86 B6X18—Zn,DB	Pin	圆栓销	1	✓	✓
5	GB91—86 2X15	Cotter Pin	开口销	1	✓	✓
6	43331—Y1000	Dust Seal Cover	防尘圈	1	✓	✓
7	GB70—85 M8X40—Zn,DB	Bolt	螺栓	1	✓	✓
8	43412—Y1000	Spacer	刹车踏杆衬套	1	✓	✓
9	GB97,1—85 8—140HV—Zn,DB	Washer	平垫圈	1	✓	✓
10	GB5783 M6X25—Zn,DB	Bolt	调整螺栓	1	✓	✓
11	GB6170—86 M6—Zn,DB	Lock nut	并紧螺母	1	✓	✓
12	GB70—85 M6X16—Zn,DB	Bolt	后刹油杯螺栓	1	✓	✓
13	GB6187—86 M6—Zn,DB	Self locking nut	自锁螺母	5	✓	✓
14	GB70—85 M6X20—Zn,DB	Bolt	活塞杆安装螺栓	2	✓	✓
15	GB61876—86 M8X16(9.8)	Bolt	螺栓	1	✓	✓
16	GB61876—86 M8X40(9.8)	Bolt	螺栓	1	✓	✓
17	69003—Y1000	Brake pad	后刹车蹄块	2	✓	✓
18	69009—Y1000	Rear brake hose	后刹油管	1	✓	✓
19	69008—Y1000	Rear brake pump	后刹泵	1	✓	✓
20	69006—Y1000	Rear brake caliper	后刹钳体	1	✓	✓
21	69007—Y1000	Oil tank hose	油杯油管	1	✓	✓
22	69005—Y1000	Rear brake Oil cup	后刹油杯	1	✓	✓
23	69004—Y1000	Rear brake switch	后刹开关	1	✓	✓
24	69010—Y1000	Plate, Master Cylinder	碟刹泵护罩	1	✓	✓
25	GB70—85 M6x25—Zn,DB	Bolt	螺栓	2	✓	✓
26	43121—18A00	Spring	扭簧	1	✓	✓

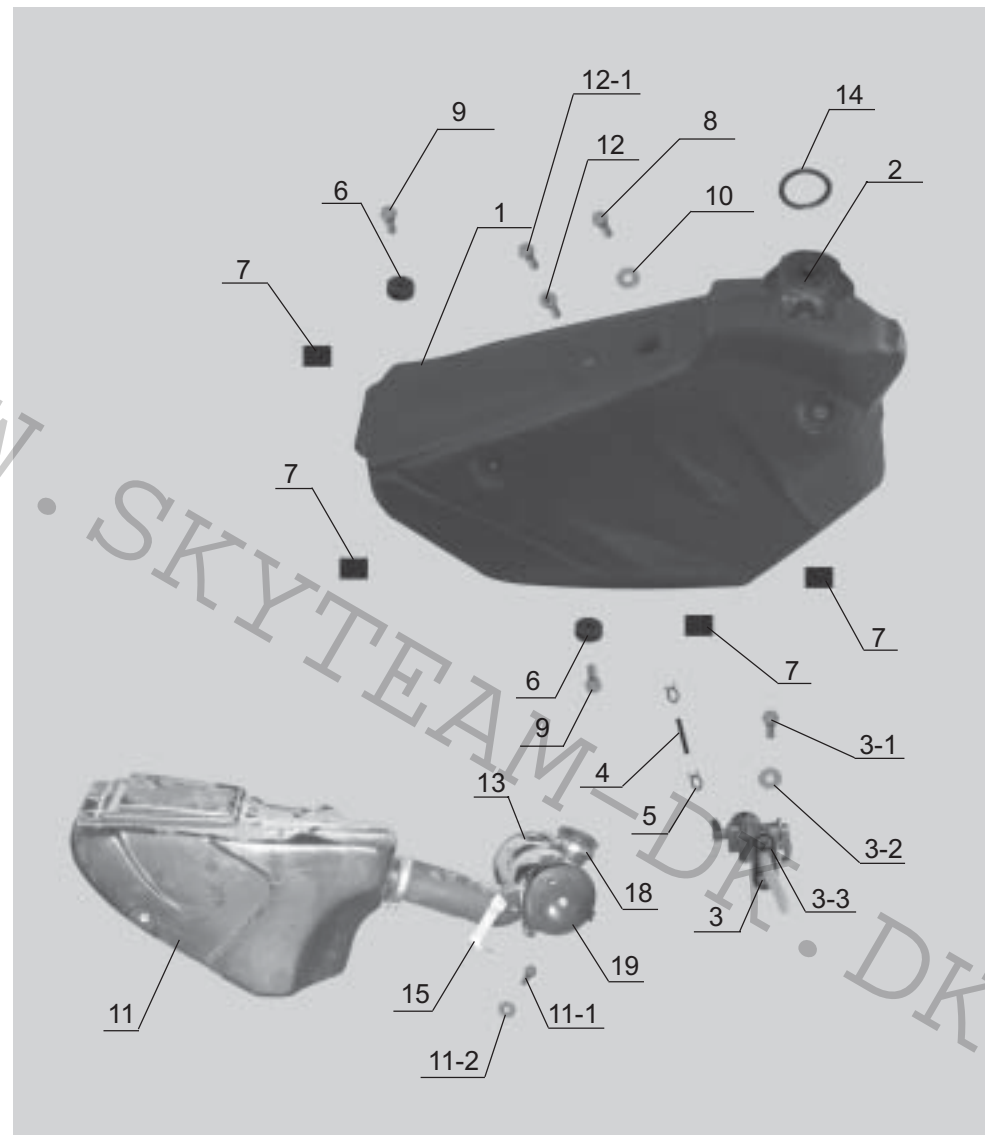




SKYTEAM ST50 SM/TR

PARTS CATALOGUE — VEHICLE

序	件号	英文名称	中文名称	数量	SM	TR
1	44110-Y1000	Fuel tank	油箱	1	✓	✓
2	44300-Y1000	Fuel tank cap	油箱盖	1	✓	✓
3	44200-Y1000	Fuel cock	油箱开关	1	✓	✓
3-1	GB70-85 M5X14-Zn.DB	Screw	螺栓	2	✓	✓
3-2	44313-Y1000	Washer (Nylon)	平垫圈(尼龙)	2	✓	✓
3-3	44314-Y1000	Seal	密封圈	1	✓	✓
4	44312-Y1000	Hose	油管	1	✓	✓
5	44312-1-Y1000	Clip	油管夹	2	✓	✓
6	44101-Y1000	Rubber pad	油箱缓冲垫	2	✓	✓
7	44102-Y1000	Rubber pad	油箱缓冲垫	4	✓	✓
8	GB70-85 M8X50-Zn.DB	Screw	螺栓	1	✓	✓
9	GB70-85 M8X16-Zn.DB	Screw	螺栓	2	✓	✓
10	GB97.1-85 8-140HV-Zn.DB	Washer	垫圈	1	✓	✓
11	13700-Y1000	Air filter ASSY Silencer	空滤消音器	1	✓	✓
11-1	GB70-85 M6X16-Zn.DB	Bolt	螺栓	1	✓	✓
11-2	GB96-85 6-140HV-Zn.DB	Washer	平垫圈	1	✓	✓
12	45101-Y1000	Clip	卡座	1	✓	✓
12-1	GB70-85 M6X20-Zn.DB	Bolt	螺栓	1	✓	✓
13	13710-18A00	Air filter element	滤芯	1	✓	✓
14	44201-K1250	Seal	油箱盖密封圈	1	✓	✓
15	13720-18A00	Plate	空滤安装支架	1	✓	✓
16	13730-18A00	Rubber pipe	空滤连接管	1	✓	✓
17	13731-18A00	Clip	连接管卡箍	1	✓	✓
18	13740-18A00	Clip	空滤器卡箍	1	✓	✓
19	13700-18A00	Air liter ASSY	空气滤清器	1	✓	✓

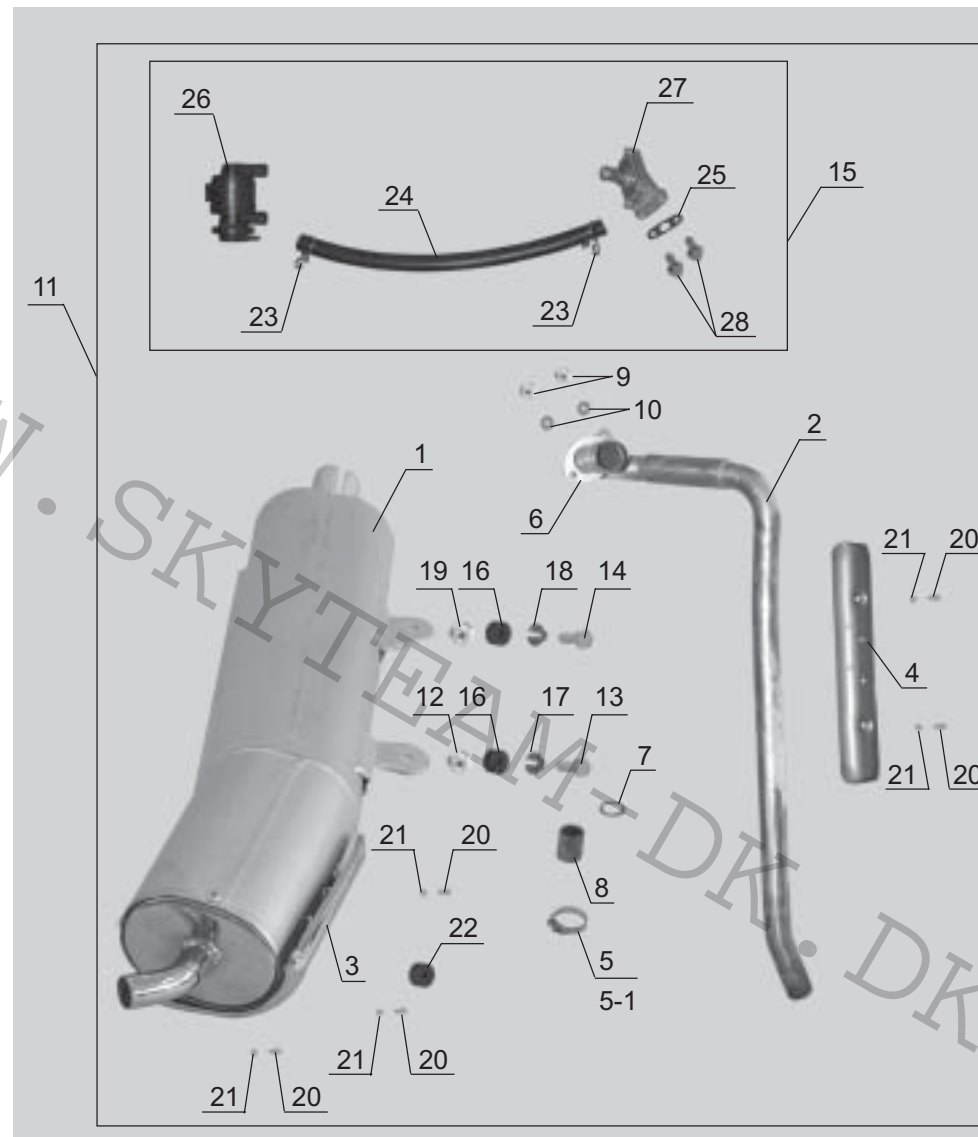




SKYTEAM ST50 SM/TR

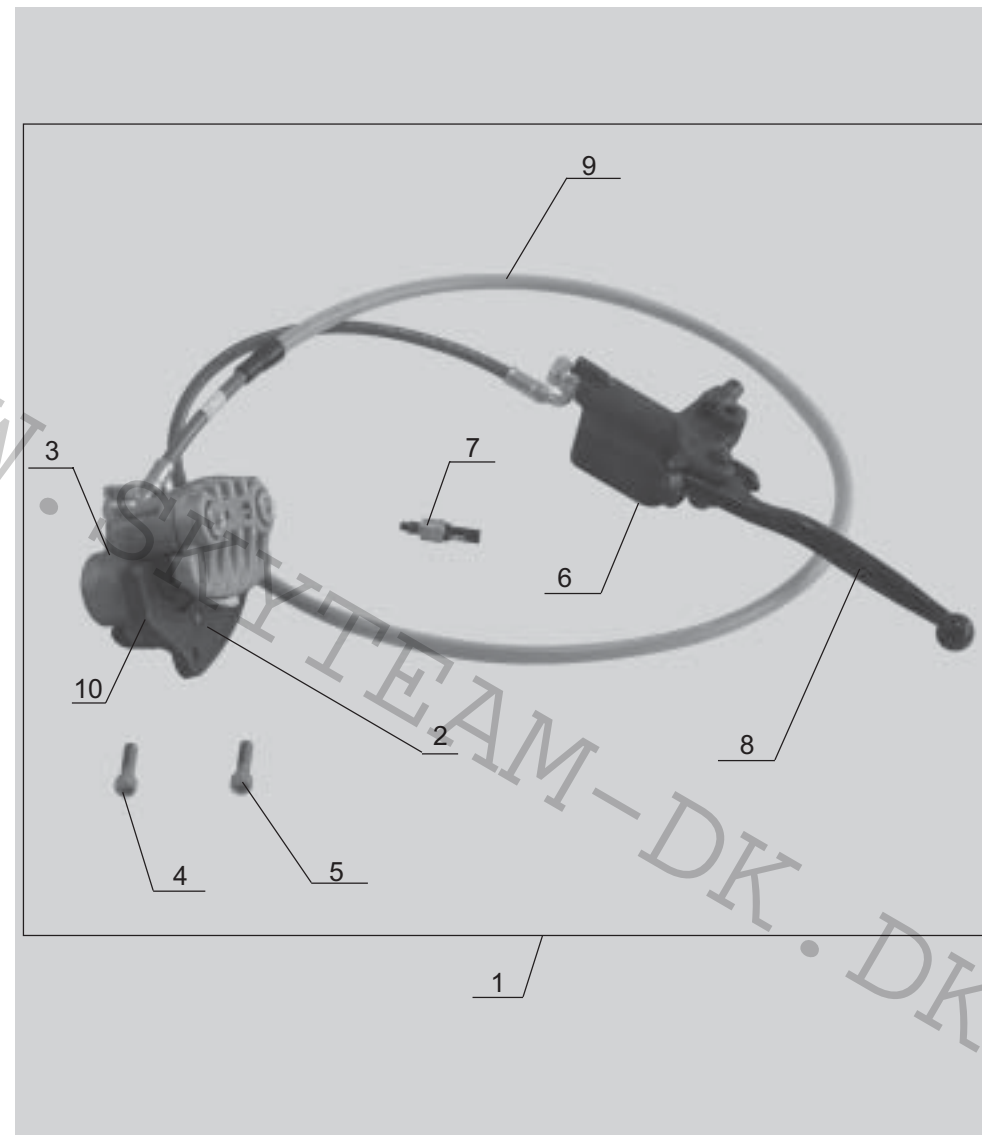
PARTS CATALOGUE — VEHICLE

序	件号	英文名称	中文名称	数量	SM	TR
1	14310-Y1000	Silencer	消音器本体	1	✓	✓
2	14330-18A00	Exhaust pipe	前弯管 (EEC 触媒)	1	✓	✓
3	14320-Y1000	Silencer fender	消音器本体装饰板	1	✓	✓
4	14340-18A00	Fender exhaust	前弯管装饰板	1	✓	✓
5	14312-Y1000	Clip	消音器夹	1	✓	✓
5-1	GB5783 M8X25	Bolt	螺栓	1	✓	✓
6	14311-18A00	Plate	消音器法兰盘	1	✓	✓
7	14313-Y1000	Ring	排气密封垫	1	✓	✓
8	14319-18A00	Ring	消音器衬垫	1	✓	✓
9	14316-Y1000	Nut	盖型螺母	2	✓	✓
10	GB859-87 6-Zn.DB	Lock washer	弹簧垫圈	2	✓	✓
11	14300-18A00	Silencer ASSY	消音器总成	1	✓	✓
12	GB6187-86 M6-Zn.DB	Self-locking nut	自锁螺母	1	✓	✓
13	GB70-85 M6X30-Zn.DB	Bolt	螺栓	1	✓	✓
14	GB70-85 M8x30	Bolt	螺栓	1	✓	✓
15	13790-18A00	Reinforce Air System	二次补气系统	1	✓	✓
16	46123-Z1000	Rubber	缓冲垫	2	✓	✓
17	46125-Y1000	Washer	衬套	1	✓	✓
18	46125-Z1000	Washer	衬套	1	✓	✓
19	GB6187-86 M8-Zn.DB	Self-locking nut	自锁螺母	1	✓	✓
20	14318-Y1000	Bolt M6x10	球头螺栓	5	✓	✓
21	14341-Y1000	Gasket	隔热垫片	5	✓	✓
22	14315-Y1000	Rubber	消音器缓冲垫	1	✓	✓
23	13750-Y1000	Clip	卡箍	2	✓	✓
24	13730-18A00	Rubber pipe	橡胶管	1	✓	✓
25	13780-Y1000	Gasket	石墨垫片	1	✓	✓
26	13710-Z1000	Contral Valve	控制阀	1	✓	✓
27	13720-Y1000	Monomial valve	单向阀	1	✓	✓
28	GB70-85 M6x20	Bolt	螺栓	2	✓	✓





序	件号	英文名称	中文名称	数量	SM	TR
1	59000-Y1000	Front brake ASSY	前刹车总成	1	✓	✓
2	59111-Y1000	Holder	前刹车安装板	1	✓	✓
3	59007-Y1000	Front brake caliper	前刹车钳体(下泵)	1	✓	✓
4	GB70-85 M8X35-Zn.DH(9.8)	Bolt	前刹车螺栓	1	✓	✓
5	GB70-85 M8X50-Zn.DH(9.8)	Bolt	前刹车螺栓	1	✓	✓
6	59008-Y1000	Front brake cylinder	前刹车泵(上泵)	1	✓	✓
7	59285-Y1000	Front brake switch	前刹车开关	1	✓	✓
8	59286-Y1000	Front brake Lever	前刹手柄	1	✓	✓
9	59287-Y1000	Brake hose	刹车油管	1	✓	✓
10	59003-Y1000	Brake pad	前刹车蹄块	2	✓	✓

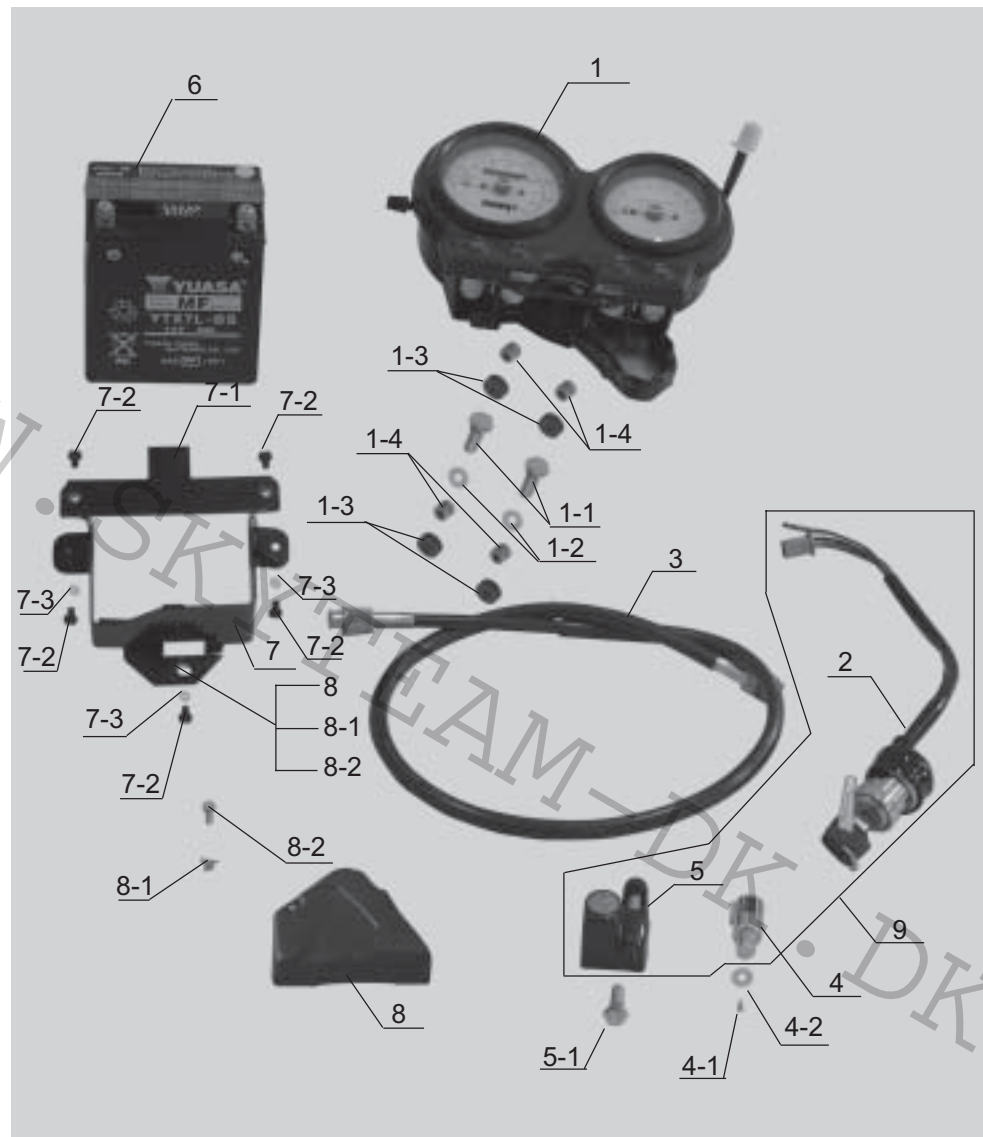




SKYTEAM ST50 SM/TR

PARTS CATALOGUE — VEHICLE

序	件号	英文名称	中文名称	数量	SM	TR
1	34100-Y1000	Panel Control	仪表总成	1	✓	X
	34100-Y1000-1	Panel Control	仪表总成	1	X	✓
1-1	GB70-85 M6X25-Zn.DB	Bolt	螺栓	2	✓	✓
1-2	GB96-85 6-140HV-Zn.DB	Washer	大垫圈	2	✓	✓
1-3	34555-Y1000	Washer Rub	减震垫圈	4	✓	✓
1-4	34556-Y1000	Spacer	衬套	4	✓	✓
2	37100-Y1000	Main Switch	电锁开关	1	✓	✓
3	58210-Y1000	Speedometer Cable	速度表软轴	1	✓	✓
4	37300-Y1000	Steering lock	车头锁	1	✓	✓
4-1	GB827-86 4X8	River	铆钉	1	✓	✓
4-2	GB96-85 5-140HV-Zn.DB	Washer	大垫圈	1	✓	✓
5	46320-Y1000	Helmet lock	头盔锁	1	✓	✓
5-1	GB818-85M6X10-Zn.DB	Screw	螺钉	1	✓	✓
6	33610-Y1000	Battery	蓄电池	1	✓	✓
7	33620-Y1000	Battery holder	蓄电池支架	1	✓	✓
7-1	33611-Y1000	Battery band	蓄电池压条	1	✓	✓
7-2	GB70-85 M6X12-Zn.DB	Bolt	螺栓	5	✓	✓
7-3	GB97.1-85 6-140HV-Zn.DB	Washer	平垫圈	3	✓	✓
8	33612-Y1000	Battery Cover	蓄电池罩壳	1	✓	✓
8-1	33613-Y1000	Nut	夹式螺母	1	✓	✓
8-2	GB70-85 M6X16-Zn.DB	Bolt	螺栓	1	✓	✓
9	37000-Y1000	Kit to lock	套锁总成	1	✓	✓

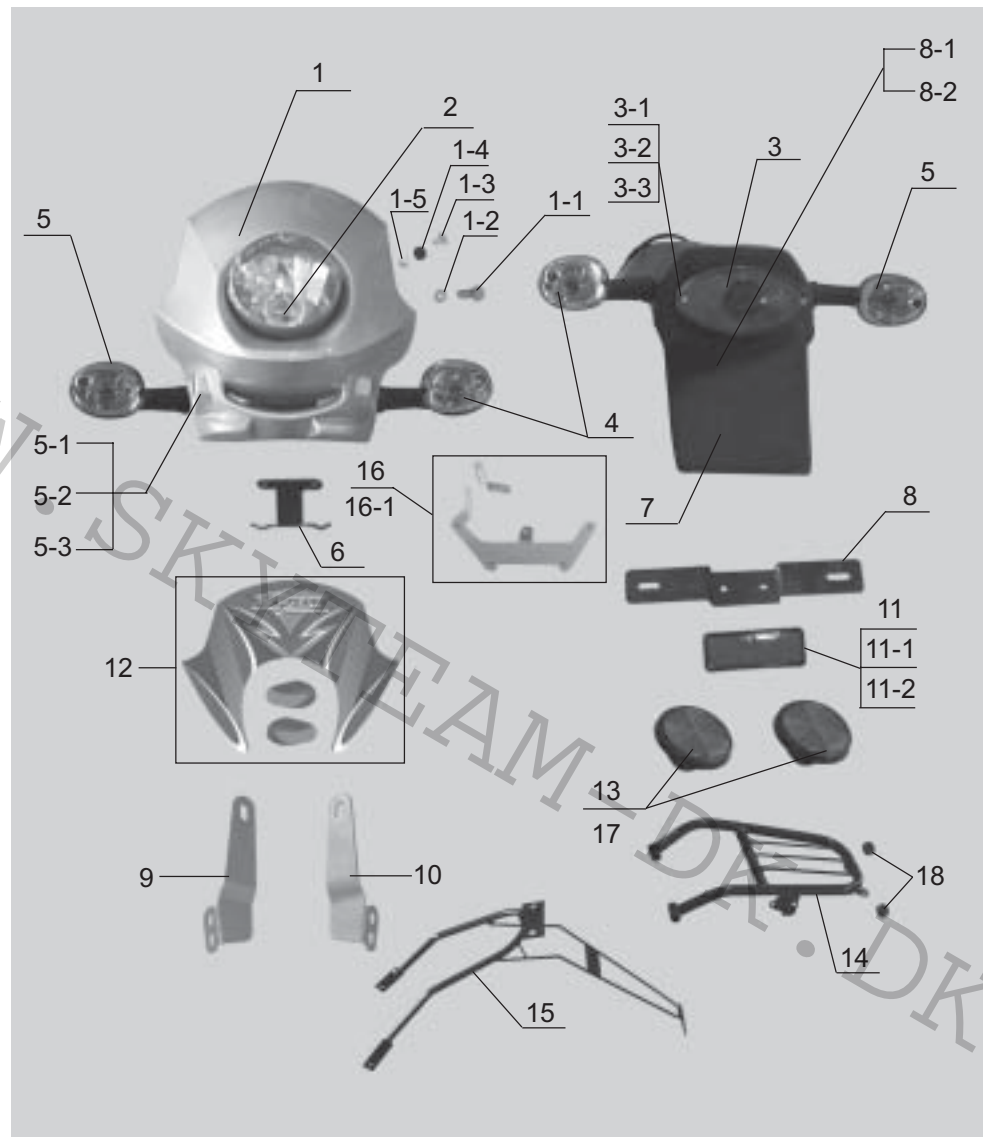




SKYTEAM ST50 SM/TR

PARTS CATALOGUE — VEHICLE

序	件号	英文名称	中文名称	数量	SM	TR
1	35110-Y1000	Head light cover	前导流罩	1	✓	✓
1-1	GB70-85 M6X25-Zn.DB	Bolt	螺栓	2	✓	✓
1-2	GB96-85 8-140Hv-Zn.DB	Lock washer	大垫圈	2	✓	✓
1-3	35119-Y1000	Spacer	衬套	2	✓	✓
1-4	35118-Y1000	Rubber	缓冲垫	2	✓	✓
1-5	GB6187-86 M6-Zn.DB	Self-locking nut	自锁螺母	2	✓	✓
2	35100-Y1000	Head light	前大灯总成	1	✓	✓
3	35710-Y1000	Tail light ASSY	尾灯总成	1	✓	✓
3-1	GB6170-86 M6-Zn.DB	Nut	螺母	2	✓	✓
3-2	GB97.1-86 6-Zn.DB	Washer	垫片	2	✓	✓
3-3	GB859-87 6-Zn.DB	Lock washer	弹簧垫圈	2	✓	✓
4	35210-Y1000	Left turning light	左转向灯总成	2	✓	✓
5	35310-Y1000	Right turning light	右转向灯总成	2	✓	✓
5-1	GB96-85 10-140Hv-Zn.DB	Washer	大垫圈	4	✓	✓
5-2	GB6170-86 M10X1.25-Zn.DB	Nut	螺母	4	✓	✓
5-3	GB859-86 87 10-Zn.DB	Lock washer	弹簧垫圈	4	✓	✓
6	35791-Y1000	Head light cover adjusting support	前导流罩调节支架	1	✓	✓
7	45511-Y1000	Tail cover	后尾罩	1	✓	✓
8	45530-Y1000	Rear registration plate support	后牌照支架	1	✓	✓
8-1	GB70-85 M6x20-Zn.DB	Bolt	螺栓	2	✓	✓
8-2	GB96-85 6-140HV-Zn.DH	Washer	大垫圈	2	✓	✓
9	35120-Y1000	Head light support (L)	大灯支架左部	1	✓	✓
10	35121-Y1000	Head light support (R)	大灯支架右部	1	✓	✓
11	38160-Y1000	Rear reflector	后反射器	1	✓	✓
11-1	GB6170-86 M5-Zn.DB	Nut	螺母	1	✓	✓
11-2	GB96-85 5-Zn.DB	Washer	大垫圈	1	✓	✓
12	90006-Y1000	Sticker	导流罩贴画	1	✓	✓
13	38110-Y1000	Reflector	边缘反射器	2	✓	✓
14	46210-Y1000	Rear Carrier	后货架	1	✓	✓

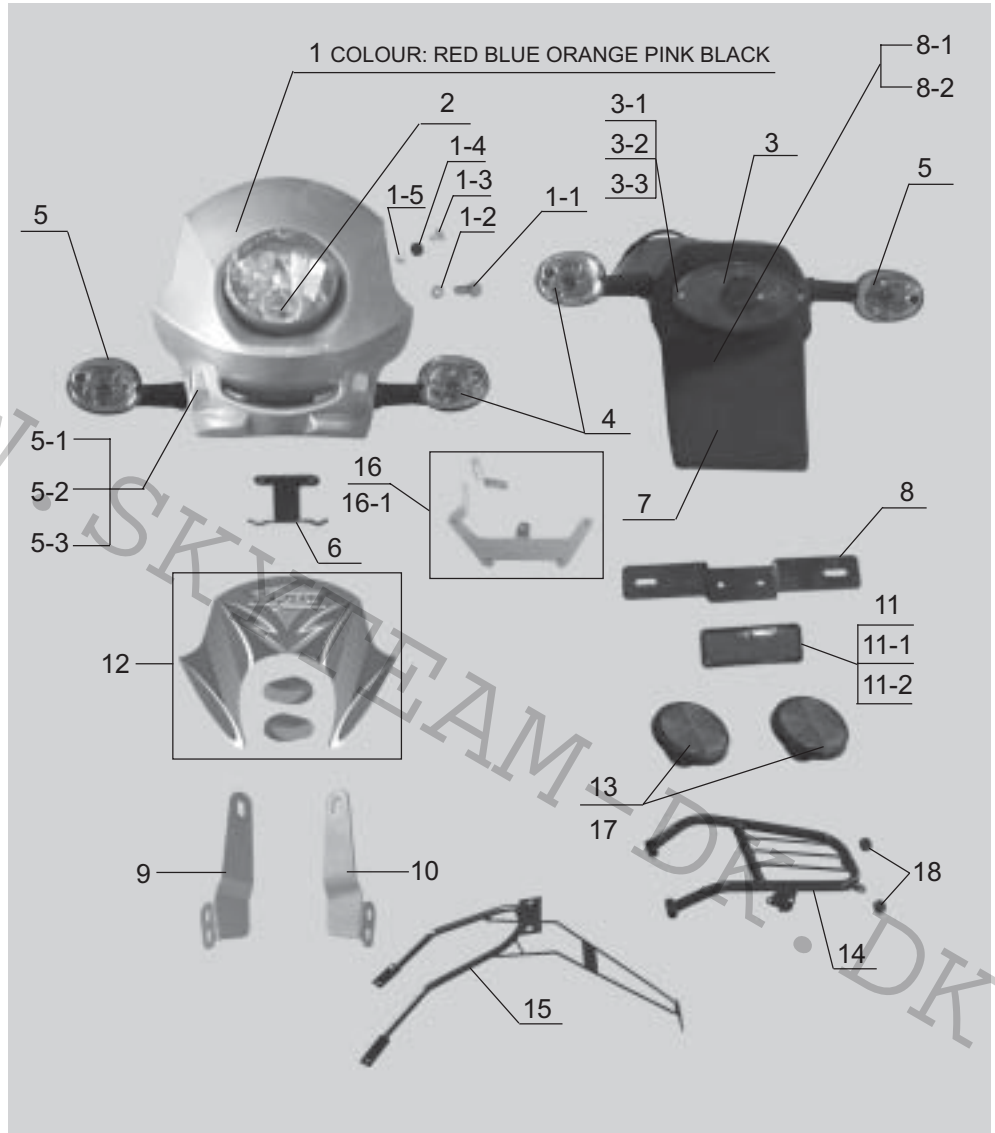




SKYTEAM ST50 SM/TR

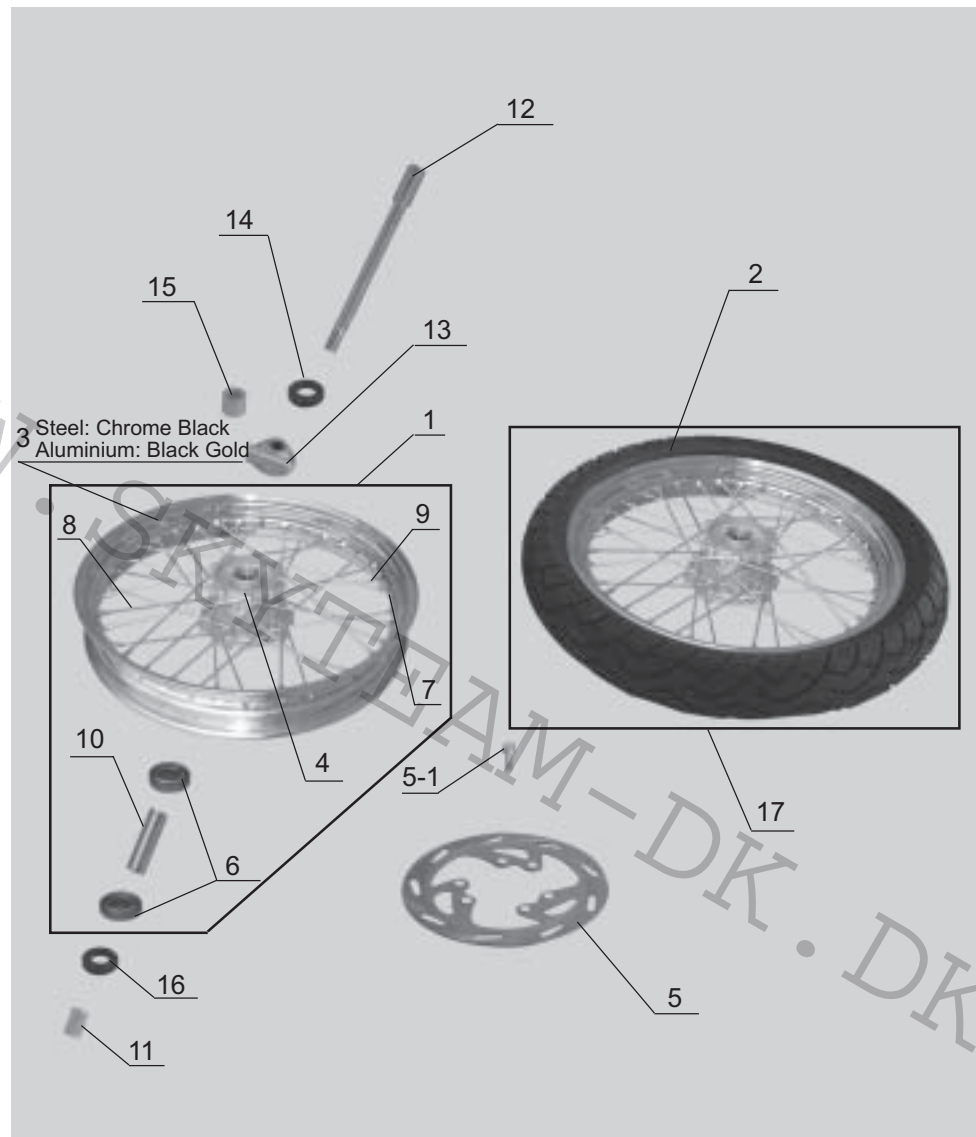
PARTS CATALOGUE — VEHICLE

序	件号	英文名称	中文名称	数量	SM	TR
15	45513-Y1000	Rear fender reinforcement	后尾罩支架	1	✓	✓
16	35109-Y1000	Head light seat	大灯座	1	✓	✓
16-1	ST4. 2x13-Zn.DB	Screw	自攻螺钉	6	✓	✓
17	38111-Y1000	Reflector support	边缘反射器支架	2	✓	✓
18	34555-Y1000	Rubber	缓冲垫	2	✓	✓



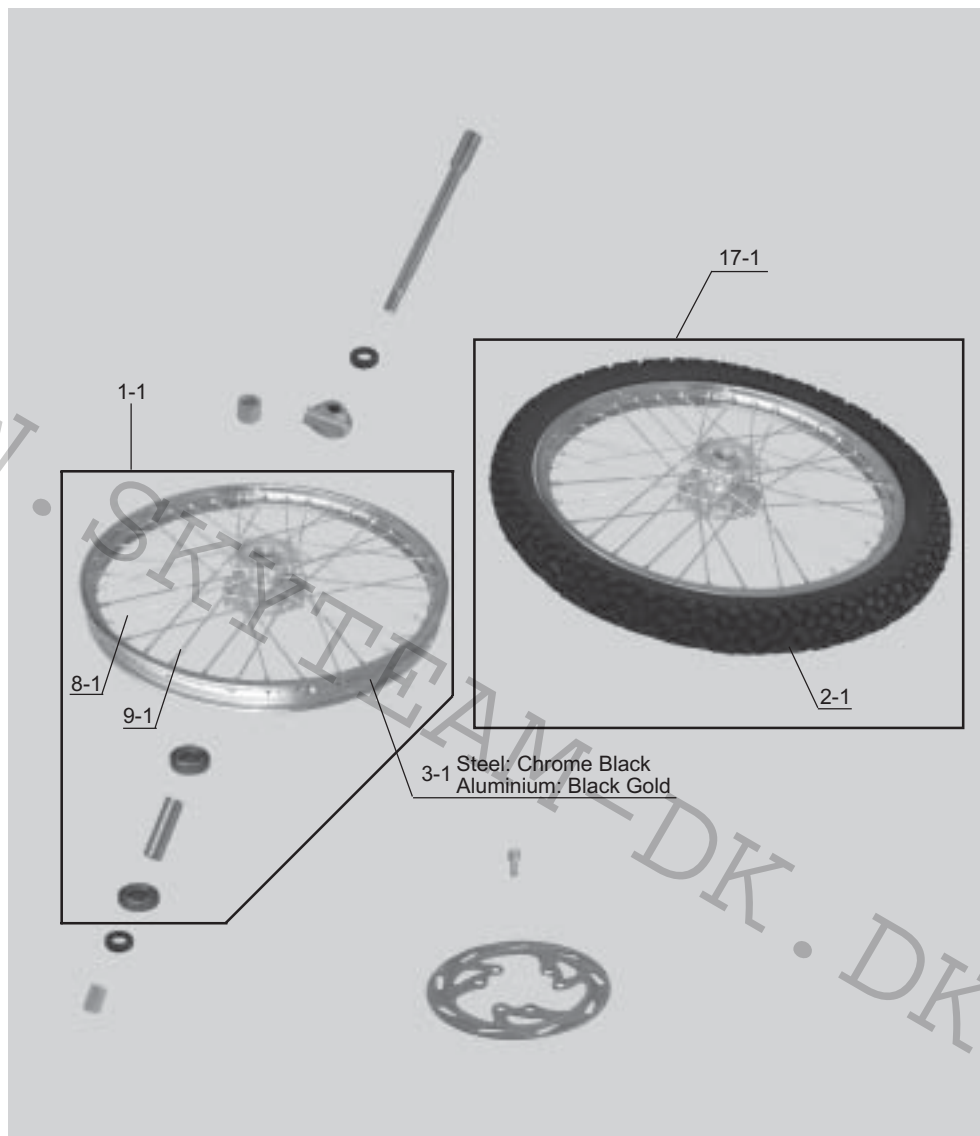


序	件号	英文名称	中文名称	数量	SM	TR
1	55000—Y1000(2.5—17)	Wheel rim assembly	前轮圈总成	1	✓	X
2	55500—Y1000(100/80—17)	Tire	外胎	1	✓	X
	55600—Y1000(100/80—17)	Inner tube	内胎	1	✓	X
	55335—Y1000(100/80—17)	Band rim	垫带	1	✓	X
3	55310—Y1000(2.5—17)	Rim	前轮圈	1	✓	X
4	55320—Y1000	Wheel hub	前轮毂	1	✓	✓
5	59001—Y1000	Brake disc	前刹车盘	1	✓	✓
5-1	59142—Y1000	Bolt	碟刹盘螺栓	6	✓	✓
6	80202 GB278—82	Bearing 80202 GB278—82	前轮轴承	2	✓	✓
7	55341—Y1000	Spoke nut	辐条螺母	36	✓	✓
8	55352—Y1000(2.5—17)	Spoke(R)	右辐条	18	✓	X
9	55352—Y1001(2.5—17)	Spoke(L)	左辐条	18	✓	X
10	55332—Y1000	Spacer	前轮轴承衬套	1	✓	✓
11	55331—Y1000	Spacer (L)	前轮左衬套	1	✓	✓
12	54711—Y1000	Axle	前轮轴	1	✓	✓
13	54600—Y1000	Speed meter clutch	速度表齿轮包总成	1	✓	✓
14	54557—Y1000	Oil seal	前轮右密封圈	1	X	X
15	54555—Y1000	Spacer (R)	右衬套	1	X	X
16	54556—Y1000	Oil seal	前轮左密封圈	1	✓	✓
17	55111—Y1000	Front Wheel Assy.	前轮总成	1	✓	X



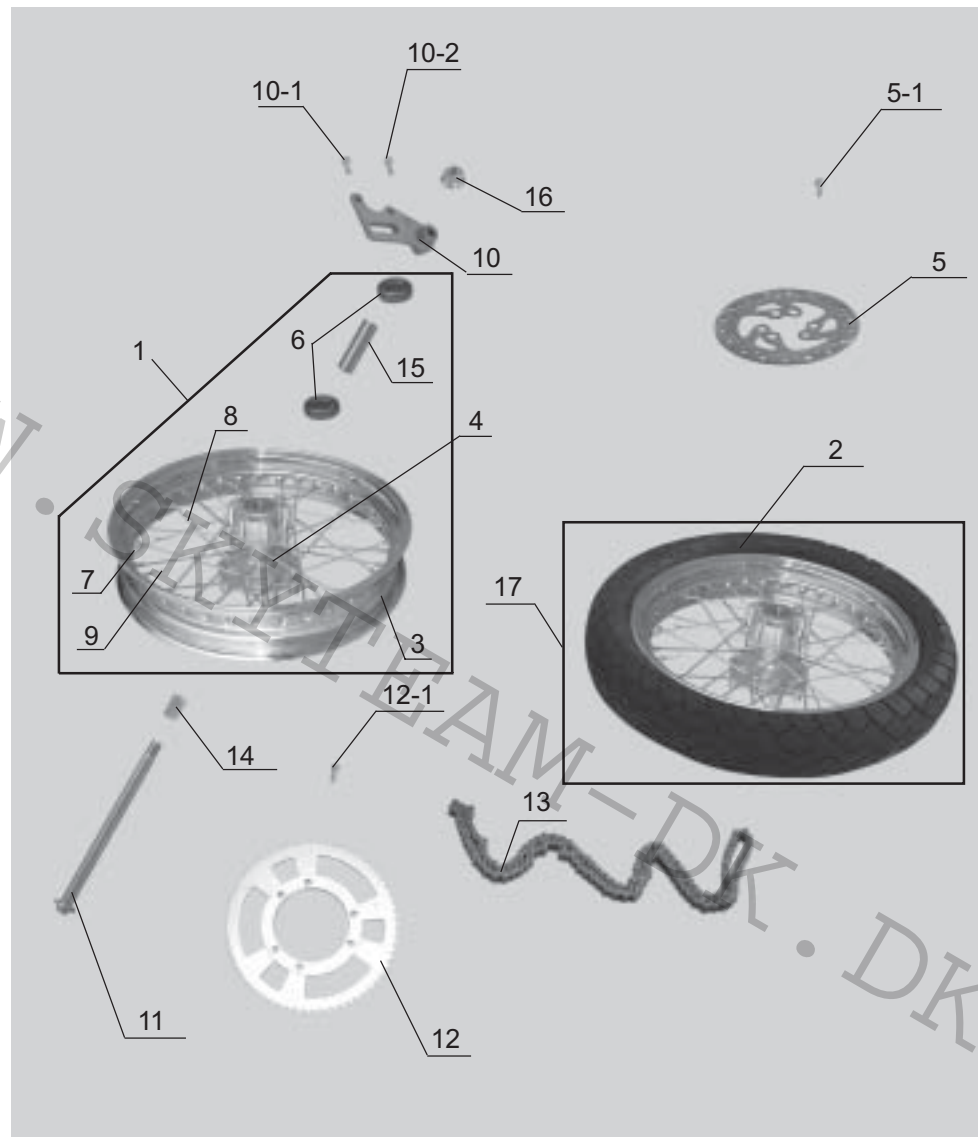


序	件号	英文名称	中文名称	数量	SM	TR
1-1	55000-Y1000-1(1.6-21)	Wheel rim ASSY	前轮圈总成	1	X	✓
2-1	55500-Y1000-1(3.0-21)	Tire	前轮外胎	1	X	✓
	55600-Y1000-1(3.0-21)	Inner tube	前轮内胎	1	X	✓
	55335-Y1000-1(3.0-21)	Band rim	前轮垫带	1	X	✓
3-1	55310-Y1000-1(1.6-21)	Wheel rim	前轮圈	1	X	✓
8-1	65352-Y1000-1(1.6-21)	Spoke	辐条	36	X	✓
9-1						
17-1	55111-Y1010	Front Wheel Assy.	前轮总成	1	X	✓





序	件号	英文名称	中文名称	数量	SM	TR
1	65000-Y1000(3.0-17)	Wheel rim ASSY	后轮圈总成	1	✓	X
2	65500-Y1000(120/80-17)	Tire	外胎	1	✓	X
	65600-Y1000(120/80-17)	Inner tube	内胎	1	✓	X
	55335-Y1000(120/80-17)	Band rim	垫带	1	✓	X
3	65310-Y1000	Rim	后轮圈	1	✓	X
4	65320-Y1000	Wheel hub	后轮毂	1	✓	✓
5	691001-Y1000	Brake disc	刹车盘	1	✓	✓
5-1	59142-Y1000	Bolt	螺栓	6	✓	✓
12-1	GB5782-86 M8X30-Zn.DB	Bolt	螺栓	6	✓	✓
6	80103 GB278-82	Bearing	后轮轴承	2	✓	✓
7	55341-Y1000	Spoke nut	辐条螺母	36	✓	✓
8	55352-Y1000(3.0-17)	Spoke(R)	右侧辐条	18	✓	X
9	55352-Y1001(3.0-17)	Spoke(L)	左侧辐条	18	✓	X
10	65330-Y1000	Caliper brake support	后刹车安装板	1	✓	✓
10-1	GB70-85 M8X16-Zn.DB(9.8)	Bolt	螺栓	1	✓	✓
10-2	GB70-85 M8X40-Zn.DB(9.8)	Bolt	螺栓	1	✓	✓
11	64711-Y1000	Wheel axle	后轮轴	1	✓	✓
12	64511-18A00	Drive sprocket Z=47	大链轮	1	✓	✓
13	08-MB-140 GB/T14312-93	Drive Chain J=140	传动链条	1	✓	✓
14	65331-Y1000	Spacer (L)	后轮左衬套	1	✓	✓
15	65332-Y1000	Spacer	后轮轴承衬套	1	✓	✓
16	GB6187-86 m6X1.5-Zn.D B	Self-Locking Nut m16 x 1.5	自锁螺母	1	✓	✓
17	65111-Y1000	Rear Wheel Assy.	后轮总成	1	✓	X

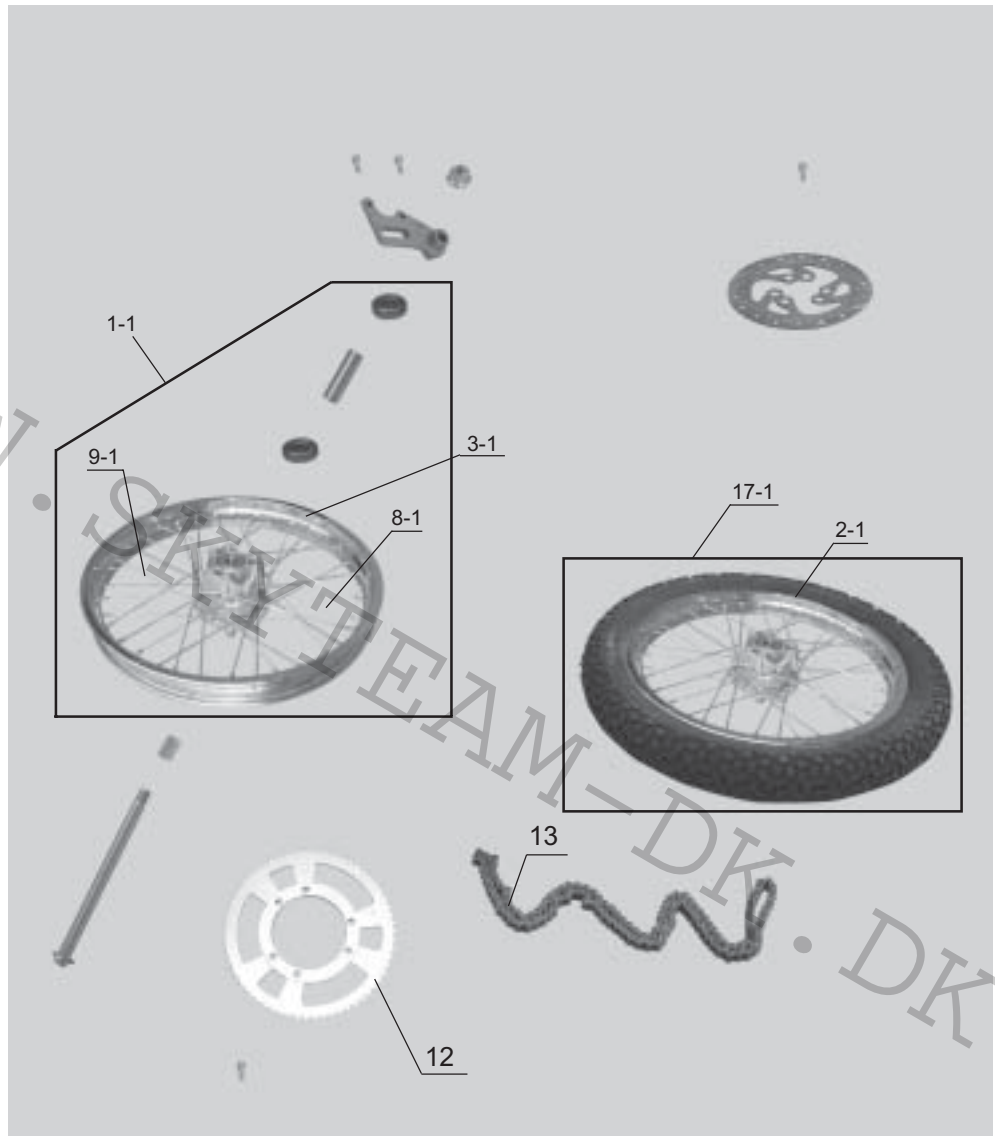




SkyTEAM ST50 SM/TR

PARTS CATALOGUE — VEHICLE

序	件号	英文名称	中文名称	数量	SM	TR
1-1	65000-Y1000-1(2.15-18)	Wheel rim ASSY	后轮圈总成	1	X	✓
2-1	65500-Y1000-1(4.1-18)	Tire	后轮外胎	1	X	✓
	65600-Y1000-1(4.1-18)	Inner tube	后轮内胎	1	X	✓
	65335-Y1000-1(4.1-18)	Band rim	后轮垫带	1	X	✓
3-1	65310-Y1000-1(2.15-18)	Wheel rim	后轮圈	1	X	✓
8-1	65352-Y1000-1(2.15-18)	Spoke(R)	后轮右侧辐条	18	X	✓
9-1	65352-Y1000-1(2.15-18)	Spoke(L)	后轮左侧辐条	18	X	✓
17-1	65111-Y1010	Rear Wheel Assy.	后轮总成	1	X	✓

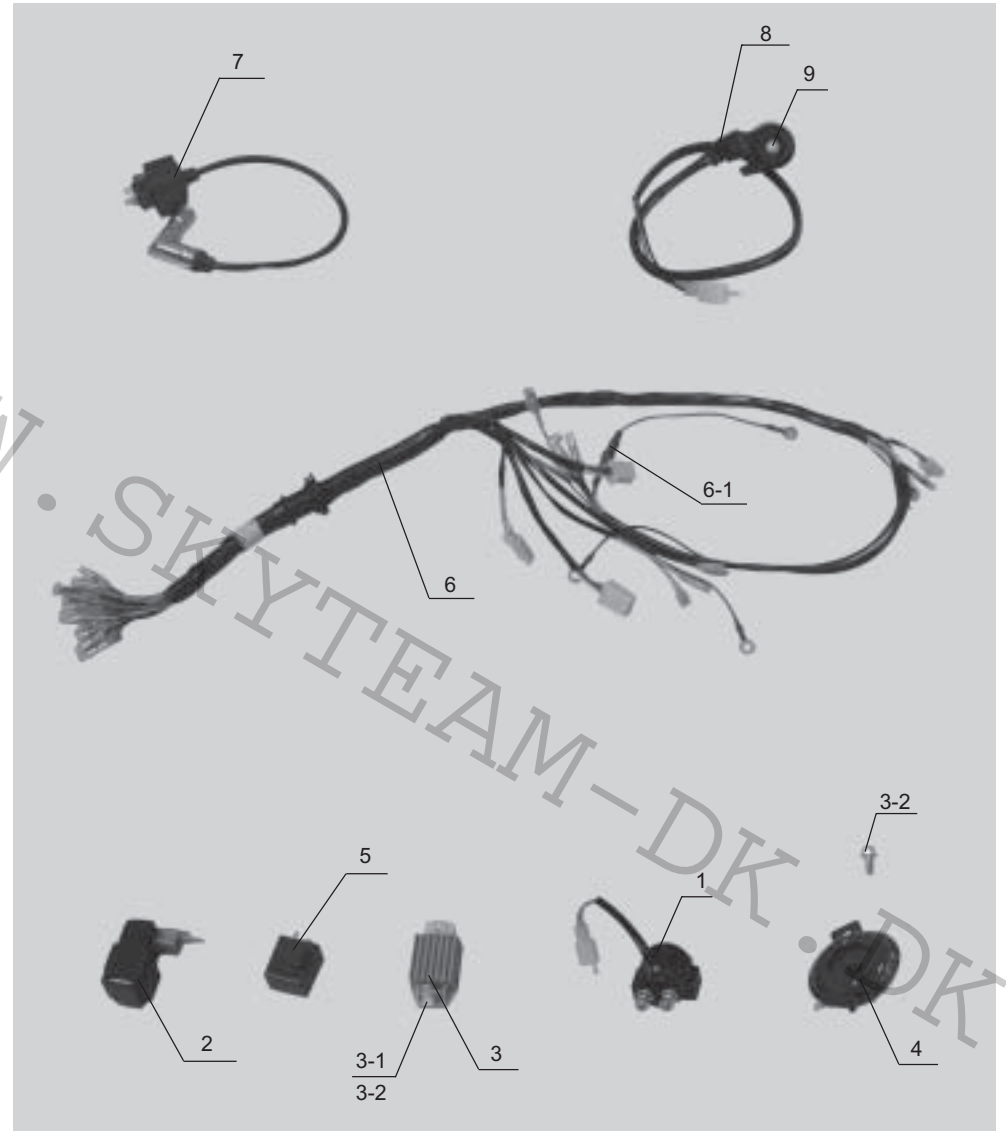




SKYTEAM ST50 SM/TR

PARTS CATALOGUE — VEHICLE

序	件号	英文名称	中文名称	数量	SM	TR
1	31800-Z1000	Relay, start	起动继电器	1	✓	✓
2	32900-E0300	CDI	CDI	1	✓	✓
3	32810-GD100-D	Controlled Rectifier	稳压整流器	1	✓	✓
3-1	GB859-876-Zn.DB	Lock Washer	弹簧垫圈	1	✓	✓
3-2	GB70-85 M6X20-Zn.DB	Screw	螺栓	2	✓	✓
4	38500-Z1000	Horn ASSY	喇叭	1	✓	✓
5	38620-C0600	Relay Winker	闪光器	1	✓	✓
6	36610-18A00	Wire Harness ASSY	导线束	1	✓	✓
6-1	36630-Z1000	Fuse(10A)	保险丝(10A)	2	✓	✓
7	33400-Z1000	Ignition coil ASSY	点火线圈	1	✓	✓
8	42313-Y1000	Side stand switch	单撑开关	1	✓	✓
9	42315-Y1000	Bolt	单撑开关螺栓	1	✓	✓

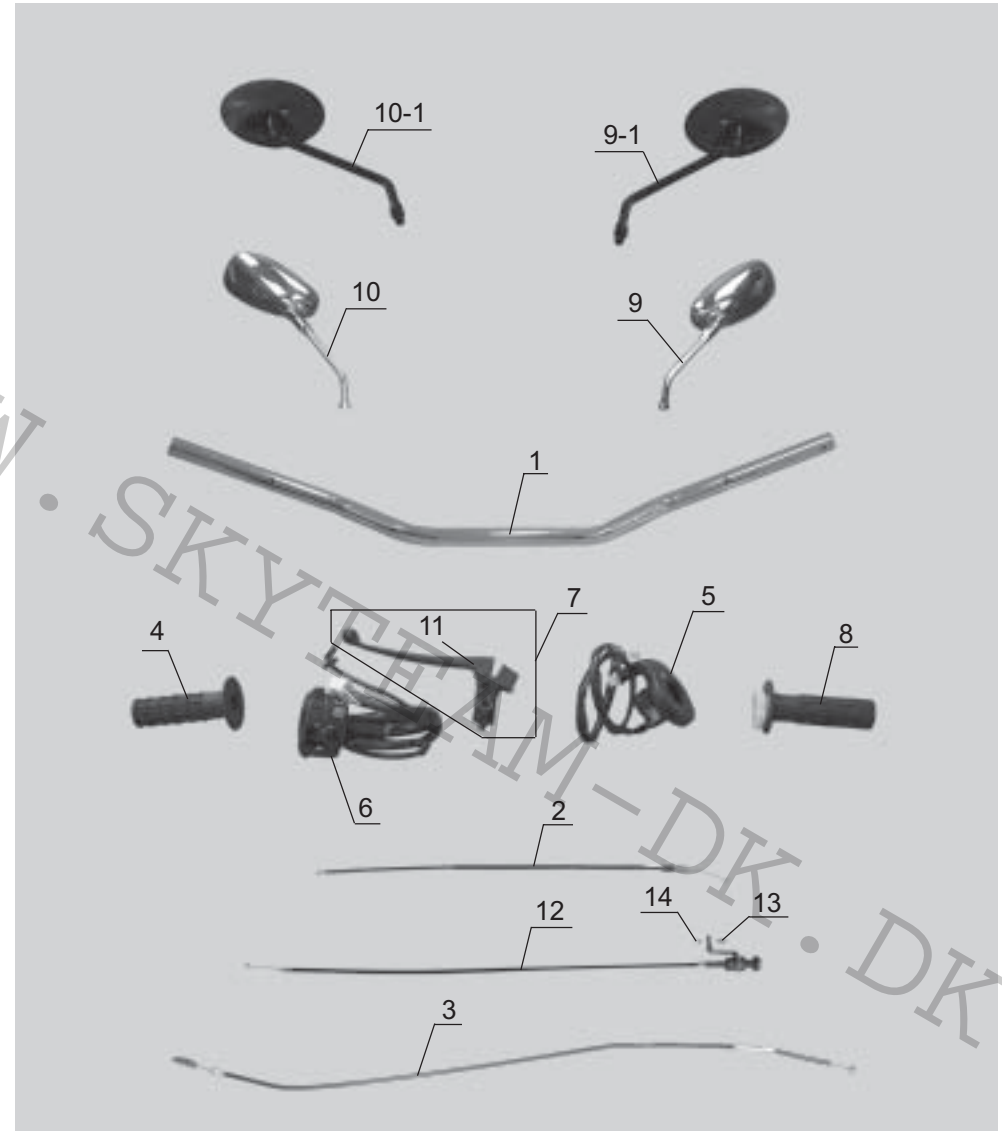




SKYTEAM ST50 SM/TR

PARTS CATALOGUE — VEHICLE

序	件号	英文名称	中文名称	数量	SM	TR
1	56110-Y1000	Handle bar	方向把	1	✓	✓
2	58300-18A00	Throttle Cable	油门钢索组件	1	✓	✓
3	58400-18A00	Clutch Cable	离合器钢索组件	1	✓	✓
4	57210-K1250-2	Left grip	左把套	1	✓	✓
5	57410-K1250-2	Right handle switch	右手把开关	1	✓	✓
6	57310-K1250-2	Left handle switch	左手把开关	1	✓	✓
7	57600-K1250-2	Clutch Lever Assy	离合器闸把座总成	1	✓	✓
8	57110-K1250-2	Throttle handle Assy	油门把手组件	1	✓	✓
9	56500-18A00	Rear mirror (L)	右后视镜	1	✓	✓
9-1	56500-Y1000	Rear mirror (L)	右后视镜	1	✓	✓
10	56600-18A00	Rear mirror (R)	左后视镜	1	✓	✓
10-1	56600-Y1000	Rear mirror (R)	左后视镜	1	✓	✓
11	57601-K1250-2	Clutch Lever	离合器手柄	1	✓	✓
12	58500-18A00	Choke Cable	风门线	1	✓	✓
13	GB70-85 M6X25	Bolt	螺栓	1	✓	✓
14	GB6187-86 M6	Nut	螺母	1	✓	✓



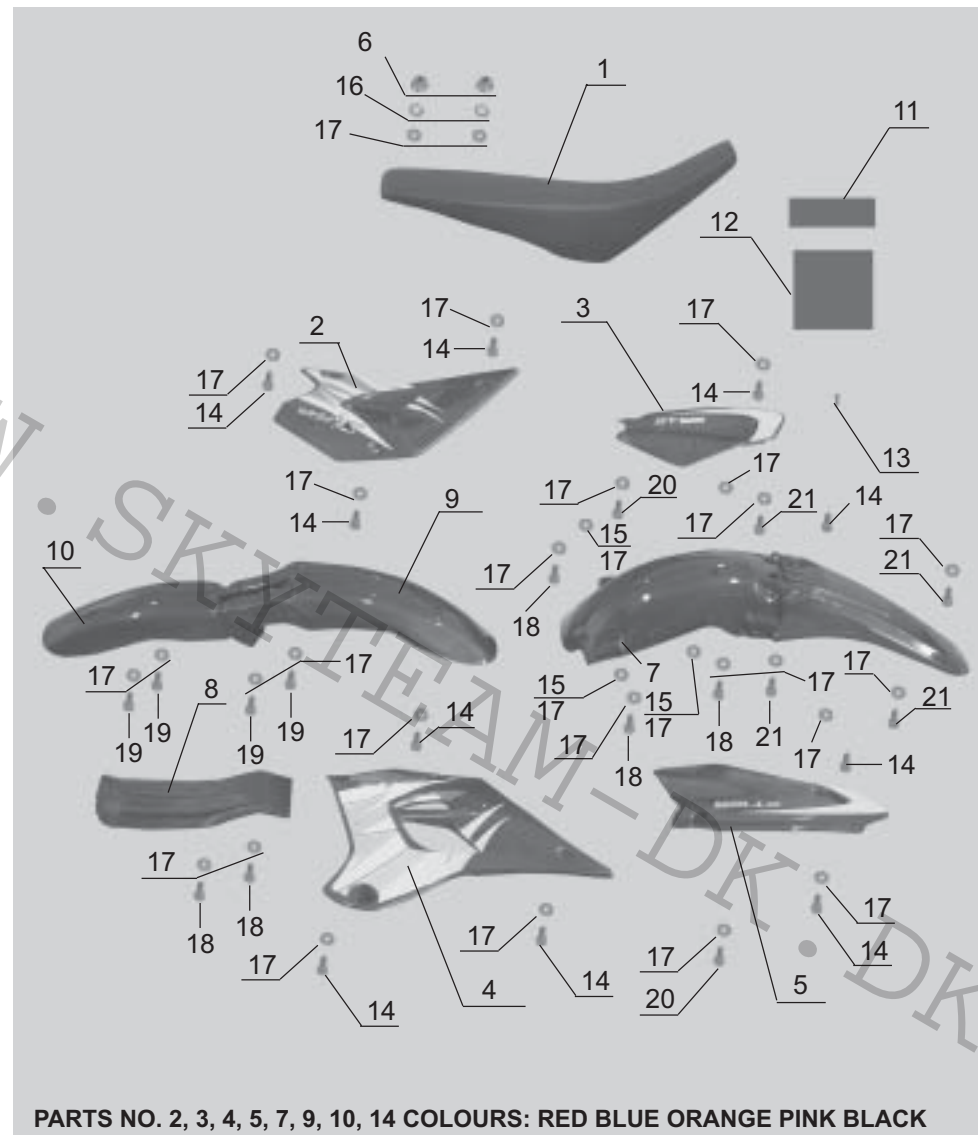


SKYTEAM ST50 SM/TR

PARTS NO. (2,3,4,5,7,9,10,14)
COLOR: RED BLUE ORANGE PINK BLACK

PARTS CATALOGUE — VEHICLE

序	件号	英文名称	中文名称	数量	SM	TR
1	45100-Y1000	Seat ASSY	座垫总成	1	✓	✓
2	47211-Y1000	Fuel tank cover (R)	油箱右护板	1	✓	✓
3	47411-Y1000	Right side fender	右后护板	1	✓	✓
4	47111-Y1000	Fuel tank cover (L)	油箱左护板	1	✓	✓
5	47311-Y1000	Left side fender	左后护板	1	✓	✓
6	GB6170-86 M6-Zn,DB	Nut	螺母	2	✓	✓
7	45514-Y1000	Rear fender	后泥板	1	✓	✓
8	45512-Y1000	Rear fender	后尾罩前部	1	✓	✓
9	53110-Y1000	Front fender	前泥板	1	✓	✓
10	53130-Y1000	Front fender (rear)	前泥板后部	1	X	✓
11	88111-18A00	Name tlate	铭牌	1	✓	✓
12	88112-18A00	Antr-tampering plate	防窜改牌	1	✓	✓
13	GB827-86 2X5-L4	River	铆钉	4	✓	✓
14	47131-K1250(M6X14)	Bolt	护板安装螺钉	10	✓	✓
15	GB6187-86 M6-Zn,DB	Self-locking nut	自锁螺母	3	✓	✓
16	GB859-86 6-Zn,DB	Self-locking washer	弹簧垫片	2	✓	✓
17	GB96-85 6-Zn,DB	Washer	大垫圈	30	✓	✓
18	GB70-85 M6X16-Zn,DB	Bolt	螺栓	6	✓	✓
19	GB70-85 M6X20-Zn,DB	Bolt	螺栓	5	✓	✓
20	GB70-85 M6X40-Zn,DB	Bolt	螺栓	2	✓	✓
21	GB70-85 M6X25-Zn,DB	Bolt	螺栓	2	✓	✓



PARTS NO. 2, 3, 4, 5, 7, 9, 10, 14 COLOURS: RED BLUE ORANGE PINK BLACK

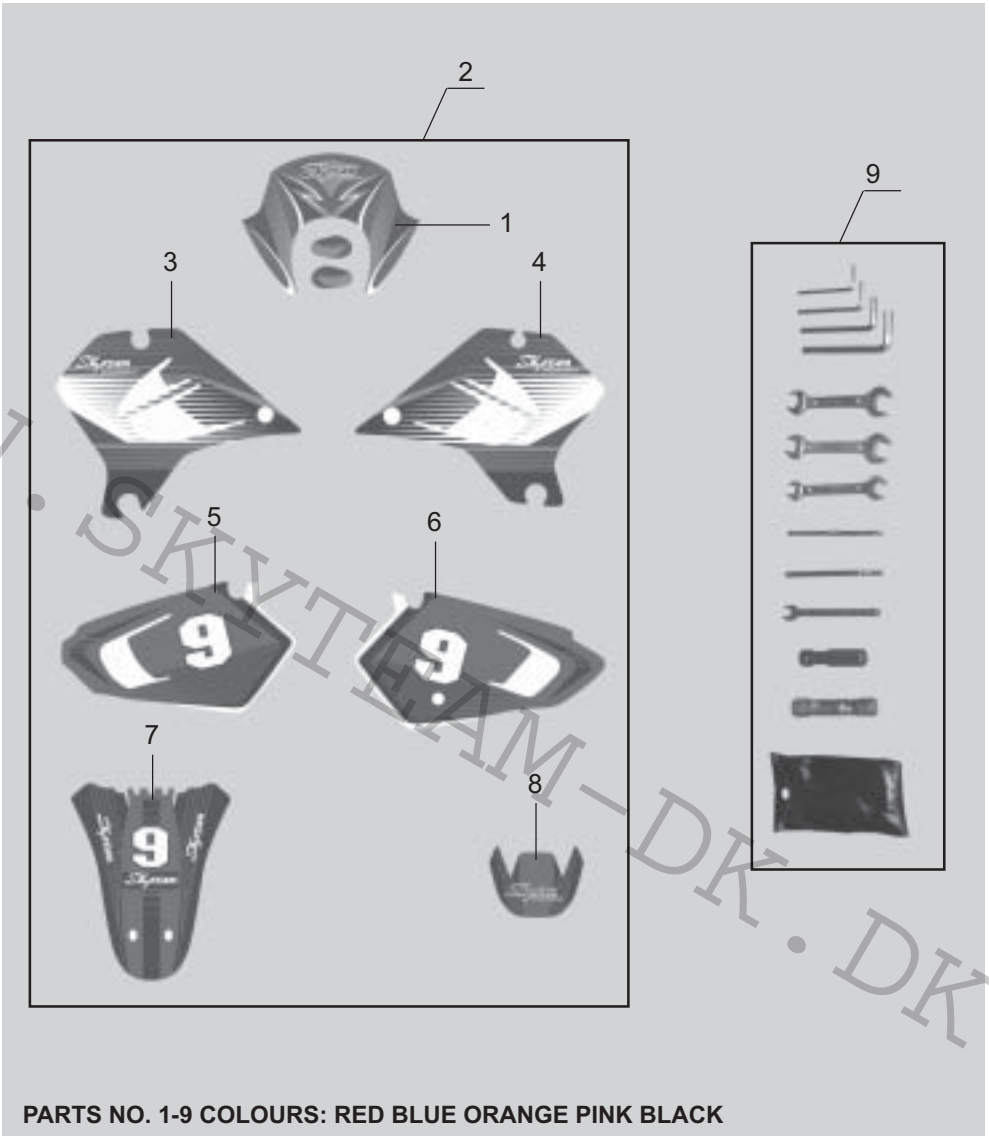


SKYTEAM ST50 SM/TR

PARTS NO. (1-9)
COLOR: RED BLUE ORANGE PINK BLACK

PARTS CATALOGUE — VEHICLE

序	件号	英文名称	中文名称	数量	SM	TR
1	90006-Y1000	Sticker	导流罩贴花	1	✓	✓
2	90000-Y1000	Sticker	全套贴花	1	✓	✓
3	90008-Y1000	Sticker	油箱左护板贴花	1	✓	✓
4	90009-Y1000	Sticker	油箱右护板贴花	1	✓	✓
5	90010-Y1000	Sticker	左后护板贴花	1	✓	✓
6	90011-Y1000	Sticker	右后护板贴花	1	✓	✓
7	90012-Y1000	Sticker	后挡泥板贴花	1	✓	✓
8	90013-Y1000	Sticker	前挡泥板贴花	1	✓	✓
9	82100-Y1000	Tool	工具总成	1	✓	✓



PARTS NO. 1-9 COLOURS: RED BLUE ORANGE PINK BLACK