

SKYTEAM

ST50-8

ST50-8A

ST110-8

ST110-8A



PARTS CATALOGUE



hentet hos: www.skyteam-dk.dk

SKY TEAM CORPORATION LTD.

1104 CARNIVAL COMMERCIAL BLDG.
18 JAVA ROAD NORTH POINT HONGKONG
TEL:00852 25089428
FAX:00852 25089478
EMAIL:SKYTEAM_HK@HOTMAIL.COM
HTTP://WWW.SKYTEAM.NET.CN
WWW.SKYTEAM.CN

前 言

用户订购零件时请参考本册，若与实车不同之处，以实车为准。如欲知某零部件的名称、件号或装配关系，可按零部件的形状，在有关的插图中查找，可知其装配位置。然后按图上的序号在相应的表格中即可查到零部件的名称、件号和数量。后续更改，不再通知。

FOREWORD

Please make reference to this book when you plan to purchase the parts. Any difference against the real motorcycle, please do as per the real. To get information concerning a certain component part, first locate, by its shape, the part in the illustration which show its fitting position, then find out the reference number of that part and look it up the corresponding table where all information about the part are provided, such as the name, part number, quantity and/or its fitting relationship with other parts, Any modifications will not be informed ahead of time.

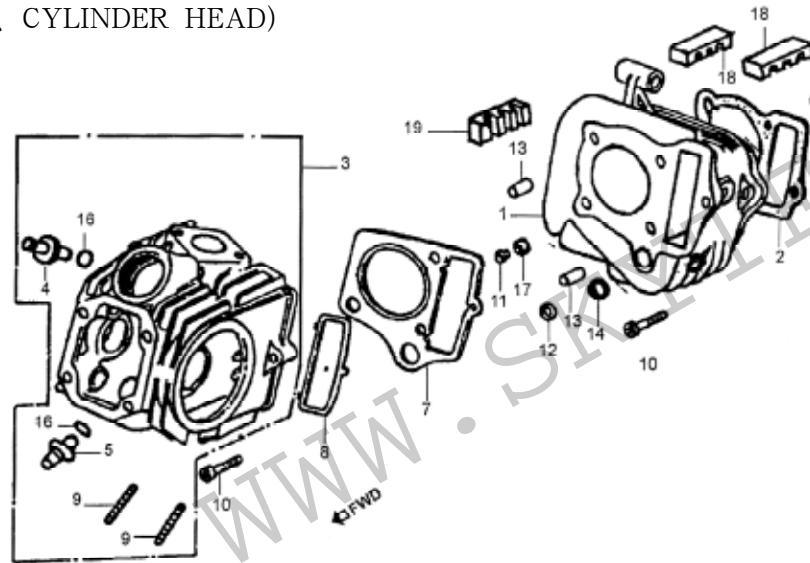
ST50-8 ST50-8A ST110-8 ST110-8A



PARTS CATALOGUE — ENGINE



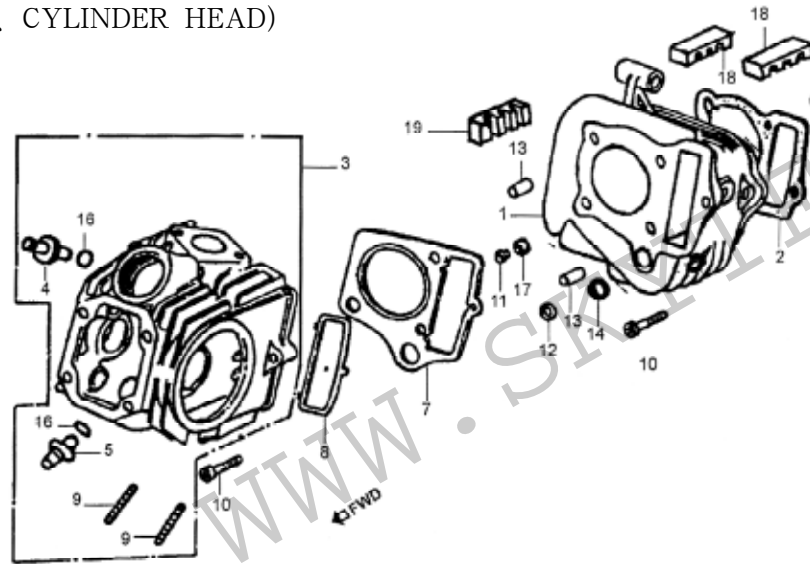
E-1 气缸、气缸头 (CYLINDER、CYLINDER HEAD)



序号 Ref.No.	零部件代号 Part No.	零部件名称及规格	Part Name And Standard	数量 Quantity	备注 Remark
1	LC152FMH-2.01-2	气缸	Cylinder(110cc)	1	
1-1	139FMA-2.01-2	气缸	Cylinder(50cc)	1	
2	LC152FMH-2.01-1	气缸衬垫	Gasket, cylinder(110cc)	1	
2-1	139FMA-2.01-1	气缸衬垫	Gasket, cylinder(50cc)	1	
3	LC152FMH-2.01.04	气缸头组合	Head comp, cylinder(110cc)	1	
3-1	139FMA-2.01.04	气缸头组合	Head comp, cylinder(50cc)	1	
4	01.01.01.04	进气门导管	Guide, in. valve	1	
5	01.01.01.05	排气门导管	Guide, ex. valve	1	
7	LC152FMH-2.01.01	气缸头衬垫	Gasket, cylinder(110cc)	1	
7-1	139FMA-2.01.01	气缸头衬垫	Gasket, cylinder(50cc)	1	
8	01.01.04.03	时规链条腔密封环	Seal, cam chain chamber	1	
9	01.01.01.07	双头螺栓 M6 × 32	Bolt, stud, 6 × 32	2	
10	01.01.00.30	螺栓 M6 × 23	Bolt, hex, 6 × 23	1	
11	01.01.00.33	衬套 9.5mm	Collar, 9.5mm	1	
12	01.01.00.27	垫圈 14.8mm	Collar, 14.8mm	1	



E-1 气缸、气缸头 (CYLINDER、CYLINDER HEAD)



序号 Ref.No.	零部件代号 Part No.	零部件名称及规格	Part Name And Standard	数量 Quantity	备注 Remark
13	01.01.00.32	定位销 8 × 14	Pin, dowel, 8 × 14	4	
14	01.01.00.23	O型圈 14.5 × 2	O-ring, 14.5 × 2	1	
15	01.01.00.29	矩形圈 11.5 × 2.1	Packing, rubber, 11.5 × 2.1	1	
16	01.01.01.06	O型圈 9 × 1.6	O-ring, 9 × 1.6	2	
17	01.01.00.34	矩形圈 9 × 1.35	Gasket, rubber, 9 × 1.35	1	
18	01.01.00.98	减震块A	Block, vibration reduction	2	
19	01.01.00.99	减震块B	Block, vibration reduction	1	

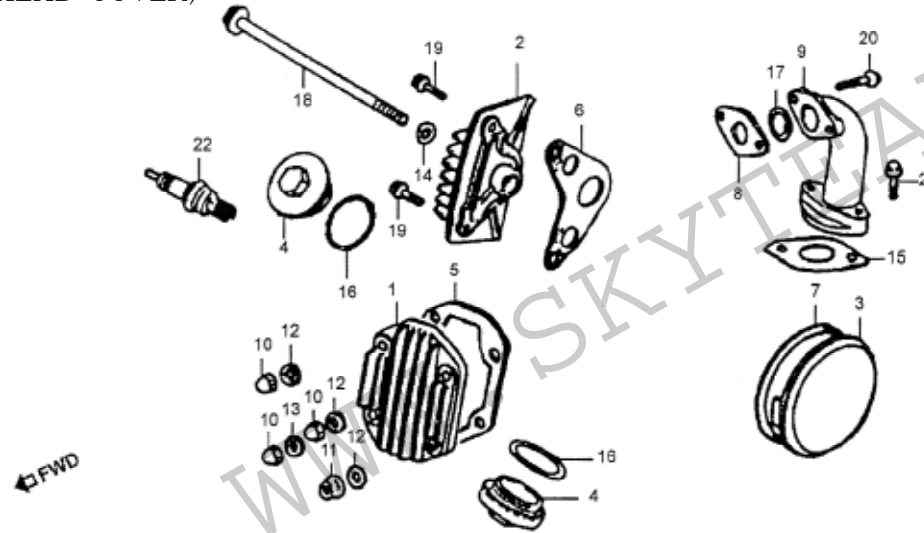


SKYTEAM

ST50-8 ST50-8A ST110-8 ST110-8A

PARTS CATALOGUE — ENGINE

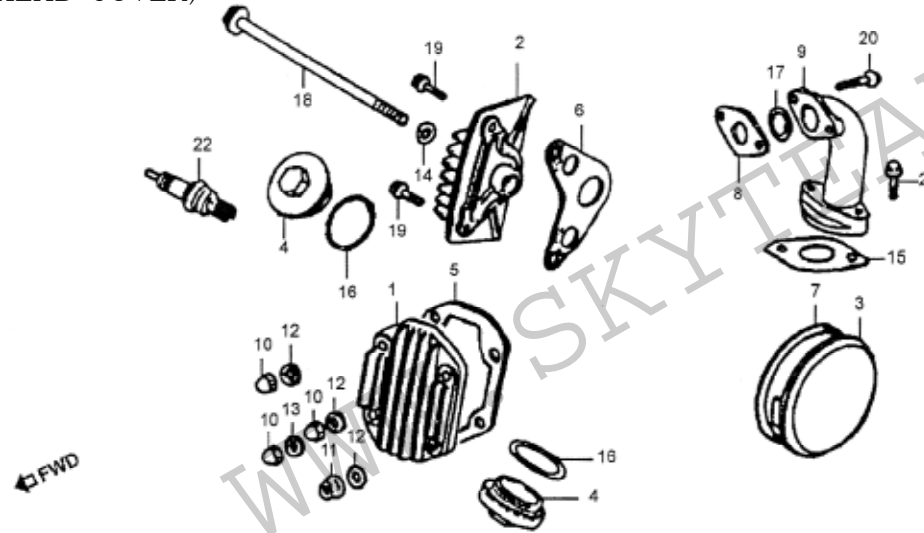
E-2 气缸头盖 (CYLINDER, HEAD COVER)



序号 Ref.No.	零部件代号 Part No.	零部件名称及规格	Part Name And Standard	数量 Quantity	备注 Remark
1	LC152FMH-2.01-40	气缸头盖	Cover, cylinder head	1	
2	LC152FMH-2.01-05	气缸头右盖	Cover, R. cylinder head side	1	
3	07.01.00.20	气缸头左盖	Cover, L. cylinder head side	1	
4	01.01.00.08	气门室盖	Cap, tappet adjusting hole	2	
5	LC152FMH-2.01-39	气缸头盖衬垫	Gasket, cylinder head cover	1	
6	LC152FMH-2.01-35	气缸头右盖衬垫	Gasket, R. cylinder head side cover	1	
7	01.01.00.21	气缸头左盖衬垫	Gasket, L. cylinder head side cover	1	
8	01.01.00.04	进气管隔热垫	Insulate(110cc)	1	
8-1	01.01.00.04-1	进气管隔热垫	Insulate(50cc)	1	
9	02.01.00.05	进气管	Pipe, in.(110cc)	1	
9-1	02.01.00.05-1	进气管	Pipe, in.(50cc)	1	
10	01.01.00.43	盖形螺母 M6	Nut, cap, 6mm	3	
11	01.01.00.43	盘形螺母 M6	Nut, flange, 6mm	1	
12	01.01.00.41	垫圈 6mm	Washer, sealing, 6mm	3	
13	01.01.00.42	垫圈 A6mm	Washer A, sealing, 6mm	1	



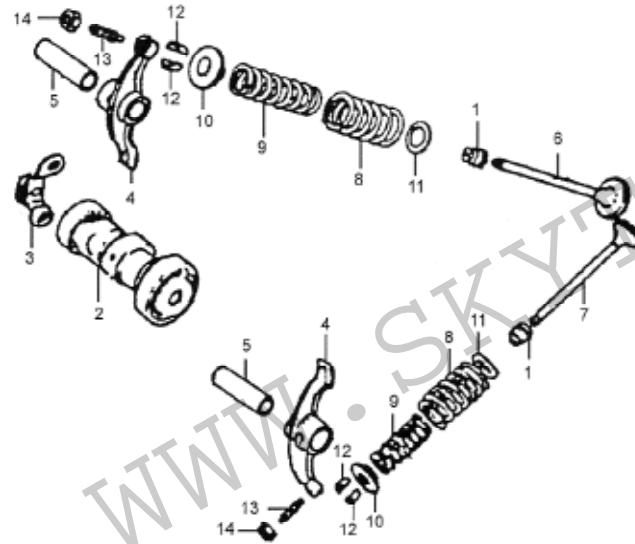
E-2 气缸头盖 (CYLINDER, HEAD COVER)



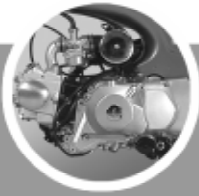
序号 Ref.No.	零部件代号 Part No.	零部件名称及规格	Part Name And Standard	数量 Quantity	备注 Remark
14	01.01.00.36	垫圈 6.5mm	Washer sealing, 6.5mm	1	
15	01.01.00.06	衬垫	Gasket, pipe, IN.(110cc)	1	
15-1	01.01.00.06-1	衬垫	Gasket, pipe, IN.(50cc)	1	
16	01.01.00.07	O形圈 30.8 × 3.2	O-ring, 30.8 × 3.2	2	
17	01.01.00.03	o形圈 25 × 2.4	O-ring, 25 × 2.4	1	
18	01.01.00.38	凸缘螺栓 M6 × 110	Block, flange, 6 × 110	1	
19	LC152FMH-2.01-2	凸形螺栓 M6 × 20	Bolt flange, 6 × 20	2	
20	LC152FMH-2.01-1	螺栓 M6 × 22	Bolt hex, 6 × 22	2	
21	LC152FMH-2.01.04	凸形螺栓 M6 × 28	Bolt, flange, 6 × 28	2	
22	01.01.01.04	火花塞 1137	Plug, spark(1137)	1	



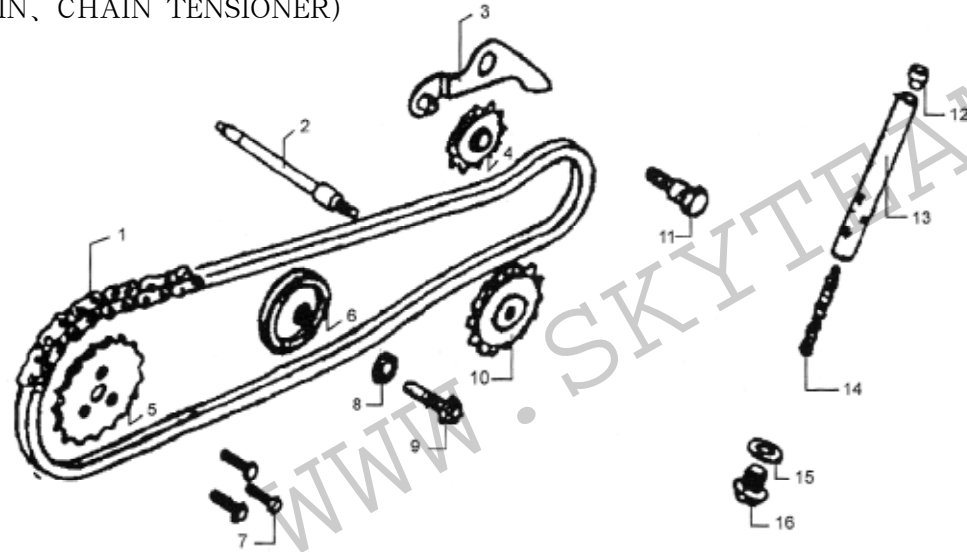
E-3 气门组 (CAMSHAFT VALVE)



序号 Ref.No.	零部件代号 Part No.	零部件名称及规格	Part Name And Standard	数量 Quantity	备注 Remark
1	01.01.05.00	气门油封	Seal, valve stem	2	
2	07.01.03.00	凸轮轴组件	Cam shaft comp	1	
3	07.01.00.45	止动板	Valve stopper	1	
4	01.01.00.11	气门摇臂	Rocker arm	2	
5	01.01.00.12	摇臂轴	Shaft rocker arm	2	
6	01.01.00.13	进气门	Valve, inlet(110cc)	1	
6-1	01.01.00.13-1	进气门	Valve, inlet(50cc)	1	
7	01.01.00.14	排气门	Valve, exhaust(110cc)	1	
7-1	01.01.00.14-1	排气门	Valve, exhaust(50cc)	1	
8	01.01.11.16	气门外弹簧	Spring, valve outer	2	
9	01.01.00.17	气门内弹簧	Spring, valve inner	2	
10	01.01.00.18	气门内外弹簧座	Retainer	2	
11	01.01.00.15	气门外弹簧座	Seat outer	2	
12	01.01.00.19	气门锁夹	Cotter, valve	4	
13	01.01.00.10	气门间隙调整螺钉	Screw adjusting	2	
14	01.01.00.09	气门间隙锁紧螺母	Nut tappet adjusting	2	



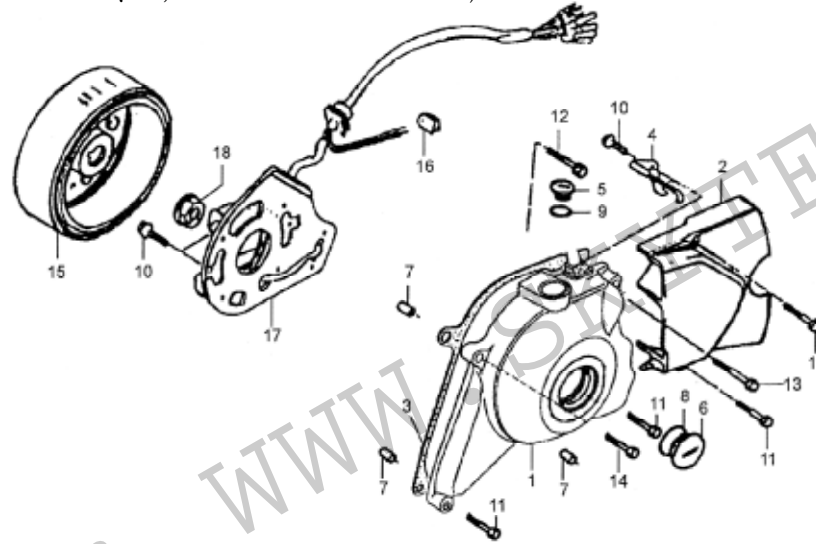
E-4 链条及张紧装置 (CHAIN、CHAIN TENSIONER)



序号 Ref.No.	零部件代号 Part No.	零部件名称及规格	Part Name And Standard	数量 Quantity	备注 Remark
1	01.01.00.44	正时链条	Chain, cam	1	
2	01.04.00.07	油泵链轮轴	Spindle, cam chain guide sprocket	1	
3	01.04.09.00	张紧臂	Arm comp, cam chain tensioner	1	
4	01.04.10.00	张紧滚轮	Roller, cam chain tensioner	1	
5	01.01.00.22	正时从动链轮	Sprocket, cam	1	
6	01.01.06.01	导向滚轮	Roller comp, cam chain guide	1	
7	01.01.00.23	螺栓 M5 × 12	Bolt, knock 5 × 12	3	
8	01.01.00.25	垫圈 8mm	Washer, sealing 8mm	1	
9	01.01.00.24	导向滚轮销轴	Pin, cam chain guide roller	1	
10	01.04.05.00	油泵链轮	Sprocket, cam chain guide	1	
11	01.04.00.25	张紧臂芯轴	Pivot, cam chain tensioner	1	
12	01.04.00.16	堵头	Head, cam chain tensioner push rod	1	
13	01.04.07.00	张紧杆	Rod comp, cam chain tensioner push	1	
14	01.04.00.15	张紧杆弹簧	Spring, cam chain tensioner	1	
15	01.04.00.14	垫圈 14mm	Washer, sealing 14mm	1	
16	01.04.00.13	螺塞 M14 × 1.5	Bolt, sealing 14 × 1.5	1	



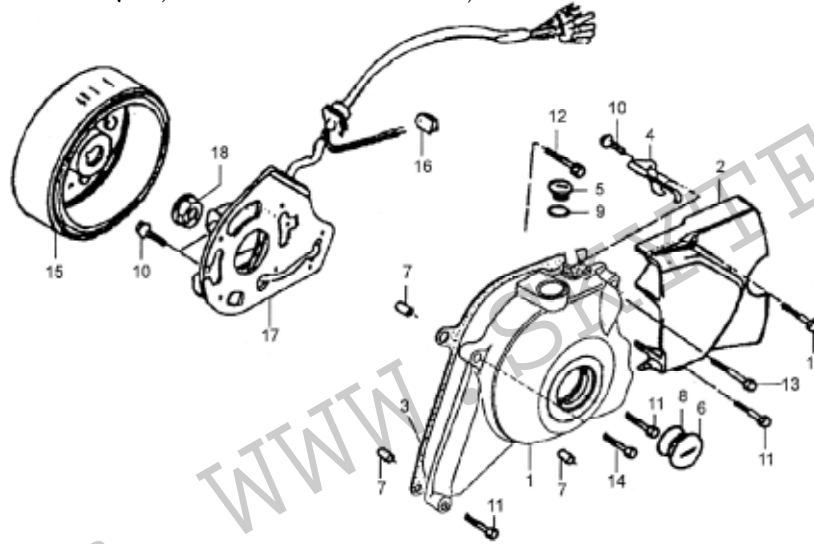
E-5 磁电机、左曲轴箱盖 (GENERATOR, L, CRANKCASE COVER)



序号 Ref.No.	零部件代号 Part No.	零部件名称及规格	Part Name And Standard	数量 Quantity	备注 Remark
1	02.02.06.00	左曲轴箱前盖	Cover, L crankcase	1	
2	02.02.00.01	左曲轴箱后盖	Cover, L Crankcase, RR	1	
3	02.02.06.06	左曲轴箱盖密封垫	Gasket, L grankcase	1	
4	02.09.00.01	磁电机线夹	Clamper, wire harness	1	
5	02.02.06.04	视孔盖 B	Cap B	1	
6	02.02.06.02	视孔盖 A	Cap A	1	
7	01.01.00.31	定位销 8 × 12	Pin dowel 8x12	2	
8	02.02.06.03	O 形圈 27 × 2.0	O-ring 27 × 2.0	1	
9	02.02.06.05	O 形圈 13.8 × 2.5	O-ring 13.8 × 2.5	1	
10	GB18-86	凸缘螺栓 M6 × 16	Bolt, flange 6 × 16	3	
11	01.00.00.01	凸缘螺栓 M6 × 28	Bolt, flange 6 × 28	3	
12	02.00.00.03	凸缘螺栓 M6 × 32	Bolt, flange 6 × 32	1	
13	01.04.00.21	凸缘螺栓 M6 × 50	Bolt, flange 6 × 50	1	
14	02.00.00.02	凸缘螺栓 M6 × 70	Bolt, flange 6 × 70	1	
15	02.09.07.01	飞轮	Flywheel COMP	1	



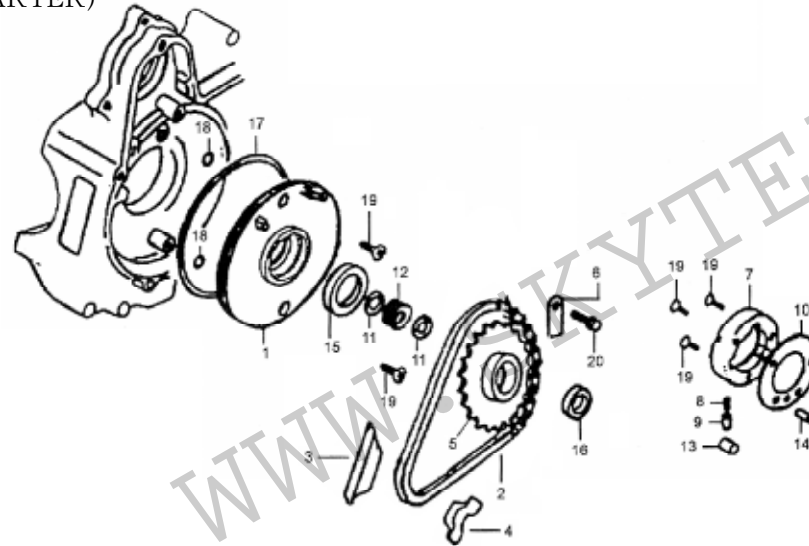
E-5 磁电机、左曲轴箱盖 (GENERATOR, L, CRANKCASE COVER)



序号 Ref.No.	零部件代号 Part No.	零部件名称及规格	Part Name And Standard	数量 Quantity	备注 Remark
16	02.09.01.99	空档开关索环	Rubber,neutral switch cord	1	
17	02.09.01.00	定子组件	Stator comp	1	
18	02.09.01.98	凸缘螺母M10	Nut, flange 10mm	1	



E-6 电启动装置 (ELECTRIC STARTER)



序号 Ref.No.	零部件代号 Part No.	零部件名称及规格	Part Name And Standard	数量 Quantity	备注 Remark
1	02.04.15.01	隔油盘	Plate, oil separator	1	
2	02.00.04.00	启动链条	Start chain	1	
3	02.04.02.04	启动链条导向板	Plate, guide chain	1	
4	02.04.02.05	启动链条护板	Plate, protect chain	1	
5	02.00.01.00	启动链轮组件	Start chain comp	1	
6	02.07.01.10	启动链轮定位板	Plate, set chain	1	
7	02.00.03.00	启动离合器壳体组件	Starter clutch outer assy	1	
8	02.00.03.01	离合器滚柱弹簧	Spring, clutch roller	3	
9	02.00.03.02	弹簧顶销	Pin, spring	3	
10	02.00.03.08	启动离合器侧板	Side plate, starter clutch	1	
11	9243/23.1	档圈 23mm	Circlip 23mm	2	
12	8x10III+3/30 GB4661-84	滚针轴承 19 × 23 × 13	Needle bearing 19 × 23 × 13	1	
13	02.00.03.03	离合器滚柱 10 × 10	Clutch roller 10 × 10	3	
14	02.00.03.04	销轴 5 × 11.8	Pin 5 × 11.8	1	
15	02.04.15.02	油封 30 × 42 × 4.5	Oil seal 30 × 42 × 4.5	1	

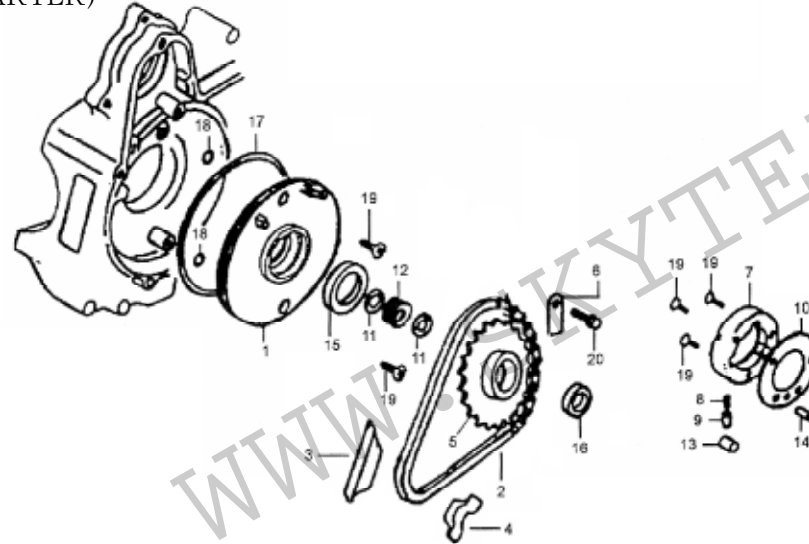


SKYTEAM

ST50-8 ST50-8A ST110-8 ST110-8A

PARTS CATALOGUE — ENGINE

E-6 电启动装置 (ELECTRIC STARTER)



序号 Ref.No.	零部件代号 Part No.	零部件名称及规格	Part Name And Standard	数量 Quantity	备注 Remark
16	01.09.02.00	油封 18.9 × 28 × 5	Oil seal 18.9 × 28 × 5	1	
17	01.09.01.02	O 形圈 107 × 2	O-ring 107 × 2	1	
18	01.04.00.08	O 形圈 6 × 1.7	O-ring 6 × 1.7	2	
19	GB819-86	螺钉 M6 × 16	Screw 6 × 16	3	
20	GB818-86	螺钉 M6 × 10	Screw 6 × 10	1	



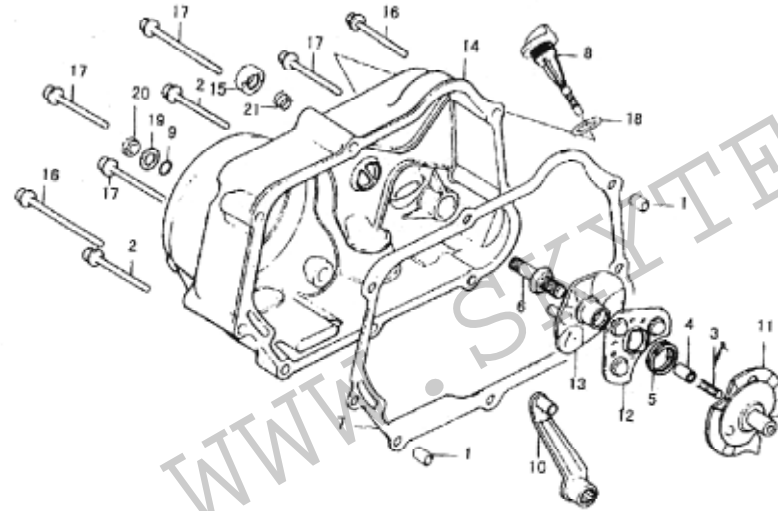
SKYTEAM

ST50-8 ST50-8A ST110-8 ST110-8A

SENI-AUTOMATIC CLUTCH(50cc)

PARTS CATALOGUE — ENGINE

E-7 右边盖 (RIGHT COVER)



序号 Ref.No.	零部件代号 Part No.	零部件名称及规格	Part Name And Standard	数量 Quantity	备注 Remark
1	100027	定位衬套	DOWEL PIN	2	
2	M6 × 65 HwMHWZn	六角垫圈螺栓	SCREW	2	
3	130013	回转体中心弹簧	SPRING	1	
4	130014	回转体中心套	ROTART BODY CENTER BUSH	1	
5	130015	分离弹簧	SPRING	1	
6	130016	分座螺钉	SCREW	1	
7	130017C	右盖密封垫	R.CASE COVER GASKET	1	
8	130018	油标盖	OIL LEVER	1	
9	130022	O形封严圈	GAUGE	1	
10	130500	拨杆组件	LEVER COMP	1	
11	130600	拨杆回转体组件	LEVER AND ROTARY BODY COMP	1	
12	130700	滚珠架组件	BALL-RACE COMP	1	
13	130800	回转体支座组件	SUPPORT COMP,ROTARY BODY	1	
14	130900	机匣右盖组件	R,CASE COVER COMP	1	
15	130100	传动轴端皮碗	OIL SEAL	1	



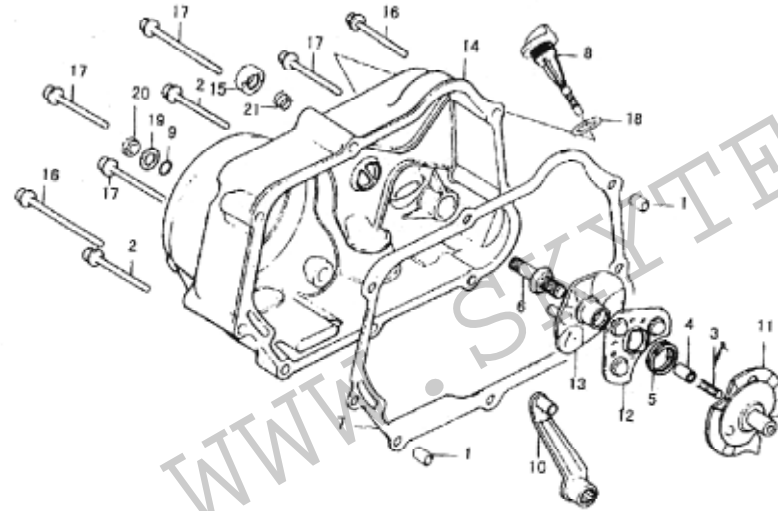
SKYTEAM

ST50-8 ST50-8A ST110-8 ST110-8A

SENI-AUTOMATIC CLUTCH(50cc)

PARTS CATALOGUE — ENGINE

E-7 右边盖 (RIGHT COVER)



序号 Ref.No.	零部件代号 Part No.	零部件名称及规格	Part Name And Standard	数量 Quantity	备注 Remark
16	M6 × 35 HwMHWZn	六角垫圈螺栓	BOLT	2	
17	M6 × 40 HwMHWZn	六角垫圈螺栓	BOLT	4	
18	7D17-J7-18.5-2.6	O形封严圈	O-RING	1	
19	GB848-85 8-140HV-Zn.D	小垫圈	WASHER	1	
20	GB6170-86 M8-8-Zn.D	六角螺母	NUT	1	



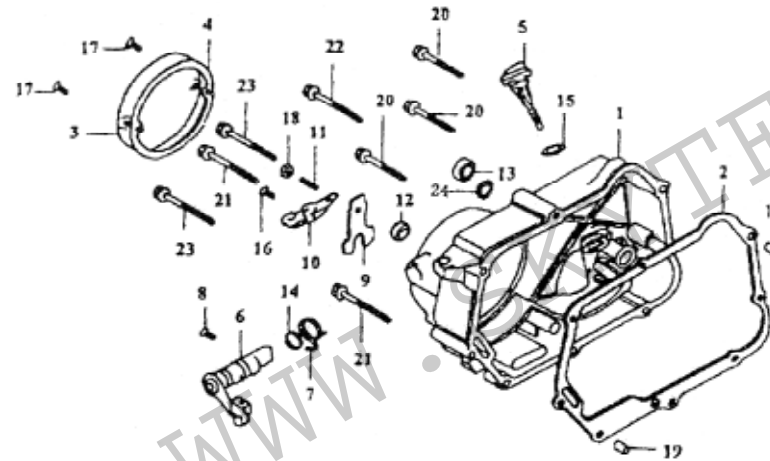
SKYTEAM

ST50-8 ST50-8A ST110-8 ST110-8A

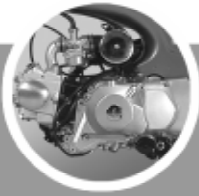
MANUAL CLUTCH(50cc, 110cc)

PARTS CATALOGUE — ENGINE

E-8 右边盖 (RIGHT COVER)



序号 Ref.No.	零部件代号 Part No.	零部件名称及规格	Part Name And Standard	数量 Quantity	备注 Remark
1	130900G	机匣右盖组件	RIGHT COVER, CRANKCASE	1	
2	130017C	右盖密封垫	GASKET	1	
3	130030G	盖子	COVER	1	
4	130031GC	垫子	GASKET	1	
5	130018G	油标盖	OIL LEVEL GAUGCE	1	
6	130032G	离合器拉杆组件	CLUTCH LEVEL COMP	1	
7	130033G	回位弹簧	RETUR SPRING	1	
8	130034G	销钉	PIN	1	
9	130036G	离合器调整板	ADJUSTING PLATE, CLUTCH	1	
10	130037G	离合器压板	LIFTER SETTING PLATE	1	
11	130038G	离合器调整螺钉	CLUTCH ADJUSTING SCREW	1	
12	130040G	封严皮碗	OIL SEAL	1	
13	131000	起动轴端皮碗	OIL SEAL	1	
14	7D17-J7-14-1.5	R型密封圈	O-RING	1	
15	7D17-J7-18.5-2.6	R型密封圈	O-RING	1	



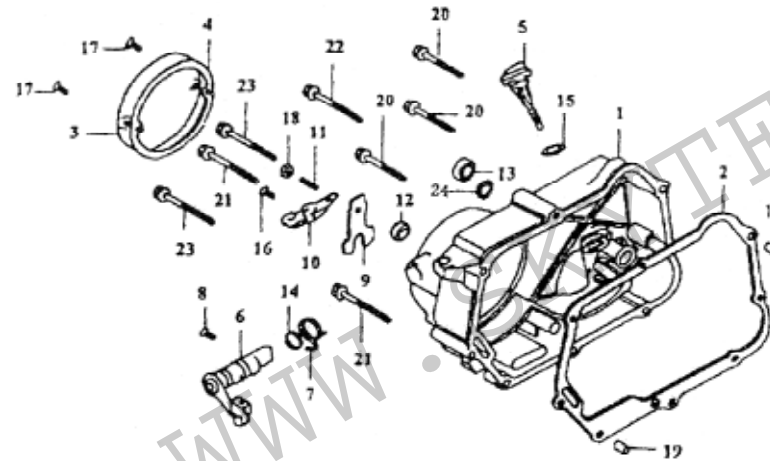
SKYTEAM

ST50-8 ST50-8A ST110-8 ST110-8A

MANUAL CLUTCH(50cc, 110cc)

PARTS CATALOGUE — ENGINE

E-8 右边盖 (RIGHT COVER)



序号 Ref.No.	零部件代号 Part No.	零部件名称及规格	Part Name And Standard	数量 Quantity	备注 Remark
16	GB819-85 M6 × 16-Zn.D	十字槽沉头螺钉	SCREW	1	
17	GB819-85 M5 × 12-Zn.D	十字槽沉头螺钉	SCREW	2	
18	GB170-86 M6 × 8-Zn.D	六角螺母	HEX NUT	1	
19	100027	定位衬套	DOWEL PIN	2	
20	7DM28-M6 × 40	六角法兰面螺栓	HEX BOLT	3	
21	7DM28-M6 × 35	六角法兰面螺栓	HEX BOLT	2	
22	7DM28-M6 × 65	六角法兰面螺栓	HEX BOLT	1	
23	7DM28-M6 × 55	六角法兰面螺栓	HEX BOLT	2	
24	100057	油封弹簧	SPRING	1	



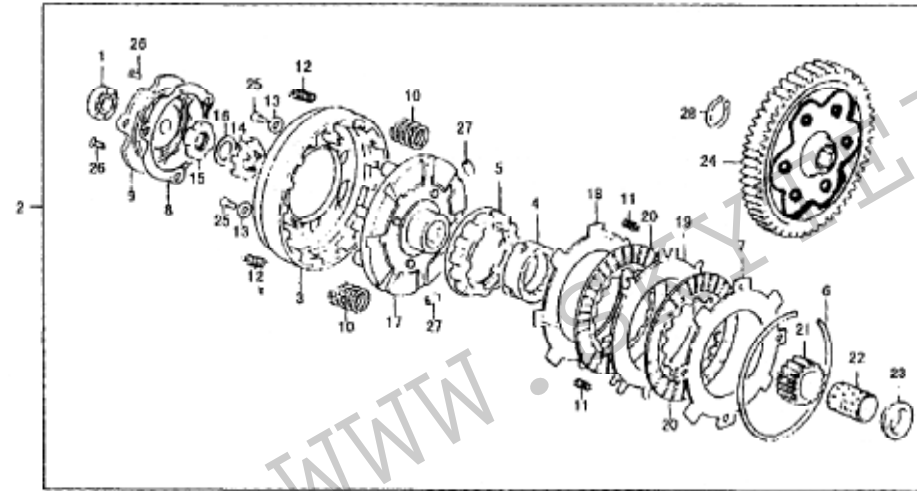
SKYTEAM

ST50-8 ST50-8A ST110-8 ST110-8A

SENI-AUTOMATIC CLUTCH(50cc)

PARTS CATALOGUE — ENGINE

E-9 离合器 (CLUTCH)



序号 Ref.No.	零部件代号 Part No.	零部件名称及规格	Part Name And Standard	数量 Quantity	备注 Remark
1	100 GB276-64	滚珠轴承	BEARING	1	
2	130000-1C	离合器组件	CLUTCH ASSY	1	
3	130001	离合器外壳	CLUTCH SHELL	1	
4	130002	传动轴外套	CLUTCH OUTER	1	
5	130003	传动轴外套	CLUTCH CENTER	1	
6	130004	卡圈	SETRING	1	
7	130005	摩擦前垫圈	WASHER	1	
8	130007	密封垫	GASKET	1	
9	130008	前盖	COVER	1	
10	130009	压紧弹簧	SPRING	2	
11	130010	自松弹簧	SPRING	2	
12	130011	缓冲弹簧	SPRING	2	
13	130012	垫片	WASHER	2	
14	130019	锁片	LOCKER	1	
15	130020	圆扁螺母	NUT	1	



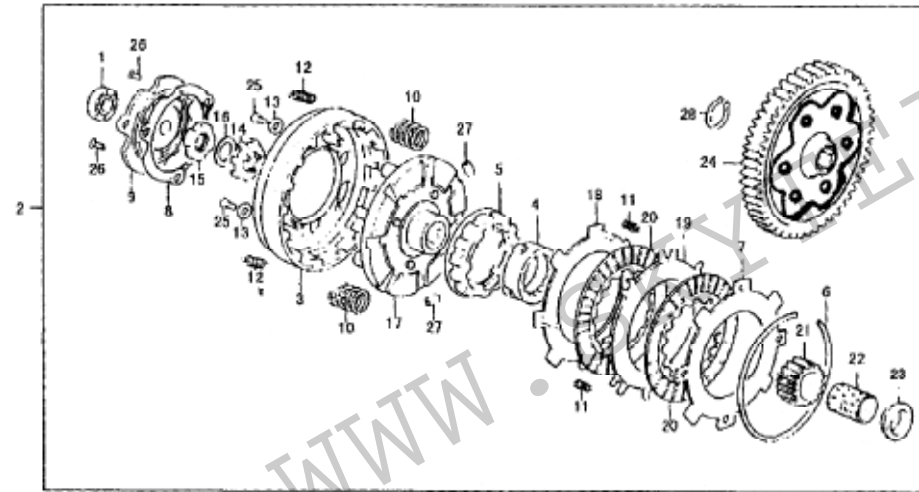
SKYTEAM

ST50-8 ST50-8A ST110-8 ST110-8A

SENI-AUTOMATIC CLUTCH(50cc)

PARTS CATALOGUE — ENGINE

E-9 离合器 (CLUTCH)



序号 Ref.No.	零部件代号 Part No.	零部件名称及规格	Part Name And Standard	数量 Quantity	备注 Remark
16	130021	碟形垫圈	SAUCER WASHER	1	
17	130100	离合器架组件	CLUTCH HOLDER	1	
18	130200	摩擦后垫片组件	WASHER	1	
19	130300A	外摩擦片组件	OUTER DISK CLUTCH FRICTION	1	
20	130400A	内摩擦片组件	CLUTCH FRICTION	2	
21	140001	曲轴齿圈	PRIMARY DRIVE GEAR	1	
22	140002	齿圈衬套	GUIDE	1	
23	140003	端面支撑面	COLLAR	1	
24	140100	中间齿轮组合	PRIMARY DRIVEN GEAR	1	
25	M5 × 10 GB818-76-35-Zn.D	十字槽平圆头螺钉	SCREW	2	
26	M5 × 10 GB819-76-35-Zn.D	十字槽沉头螺钉	SCREW	2	
27	8 × 10III+3/30 GB4661-84	圆柱滚子	ROLLER	2	
28	150003	卡圈	SETRING	1	



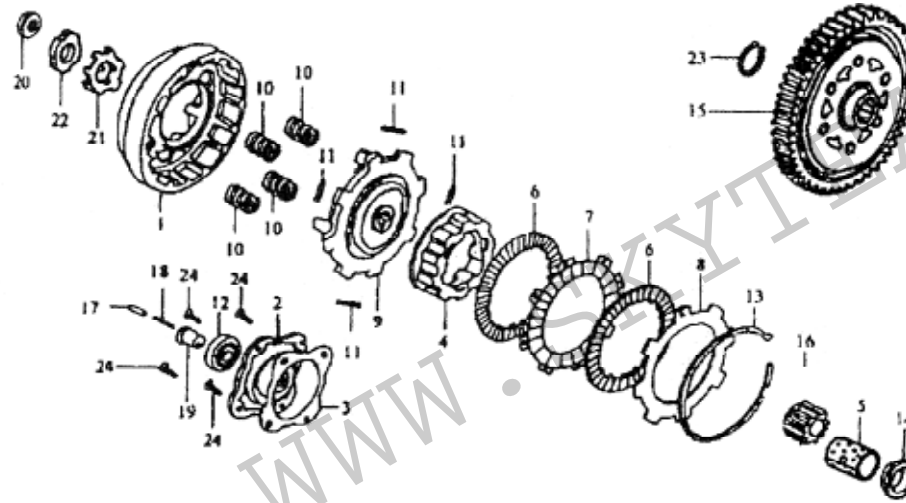
SKYTEAM

ST50-8 ST50-8A ST110-8 ST110-8A

MANUAL CLUTCH(50cc, 110cc)

PARTS CATALOGUE — ENGINE

E-10 离合器 (CLUTCH)



序号 Ref.No.	零部件代号 Part No.	零部件名称及规格	Part Name And Standard	数量 Quantity	备注 Remark
1	147FM2B-6007	离合器壳体	CLUTCH OUTER	1	
2	147FM2B-6009	前盖	COVER,CLUTCH OUTER	1	
3	147FM2B-6008C	密封垫	GASKET	1	
4	147FM2B-6001	花键齿套	CLUTCH CENTER	1	
5	140002	齿圆衬套	PRIMARY DRIVER GEAR GUIDE	1	
6	147FM2B-6100	摩擦片组件	CLUTCH FRICTION ASSY	2	
7	147FM2B-6104	摩擦片下板	OUTER DISK,CLUTCH FRICTION	1	
8	147FM2B-6102	摩擦片上板	INNER DISK,CLUTCH FRICTION	1	
9	147FM2B-6105	离合器支架	CLUTCH FRAME	1	
10	21201-04E	压紧弹簧	SPRING	4	
11	147FM2B-6105	缓冲弹簧	SPRING	4	
12	100GB276-82	滚珠轴承	BEARING	1	
13	147FM2B-6003	卡圈	SET RING	1	
14	140003	端面支承圈	COLLAR	1	
15	140100	中间轮组合	GEAR,PRIMARY DRIVEN	1	



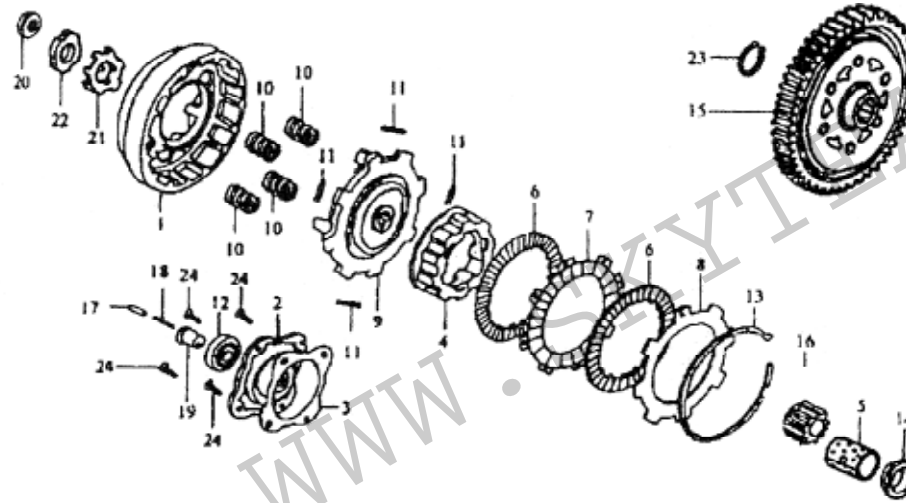
SKYTEAM

ST50-8 ST50-8A ST110-8 ST110-8A

MANUAL CLUTCH(50cc, 110cc)

PARTS CATALOGUE — ENGINE

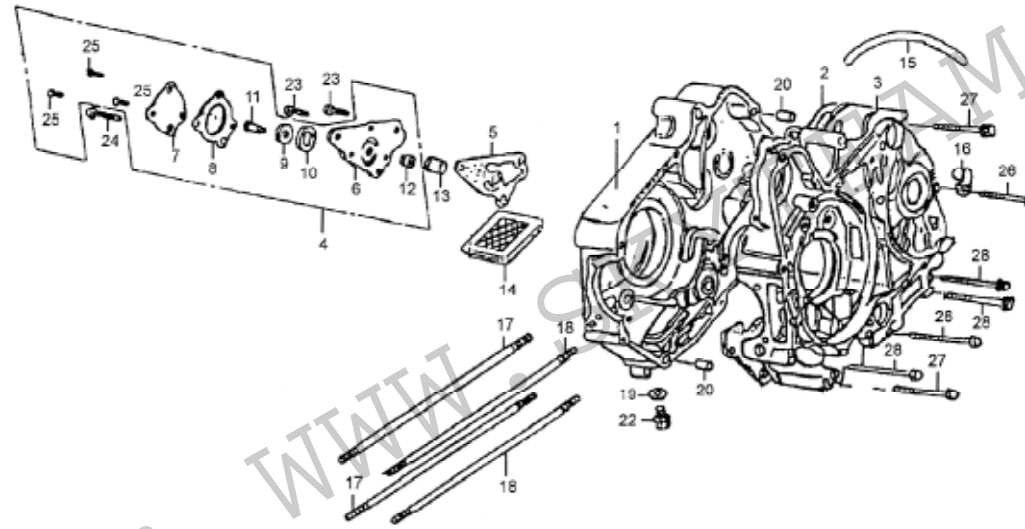
E-10 离合器 (CLUTCH)



序号 Ref.No.	零部件代号 Part No.	零部件名称及规格	Part Name And Standard	数量 Quantity	备注 Remark
16	140001G	曲轴齿圈	GEAR,PRIMARY DRIVE	1	
17	147FM2B-6013	回转体中心套	SLEEVE	1	
18	147FM2B-6012	回转体中心弹簧	SPRING	1	
19	147FM2B-6011	滑油路导套	OIL THOUGH GUIDE	1	
20	147FM2B-6014	圆扁螺母	NUT	1	
21	147FM2B-6016	锁片	LOCK WASHER	1	
22	147FM2B-6015	碟形垫圈	SAUCER WASHER	1	
23	150003	卡圈	SET RING	1	
24	147FM2B-6018	十字槽沉头螺钉	SCREW	4	



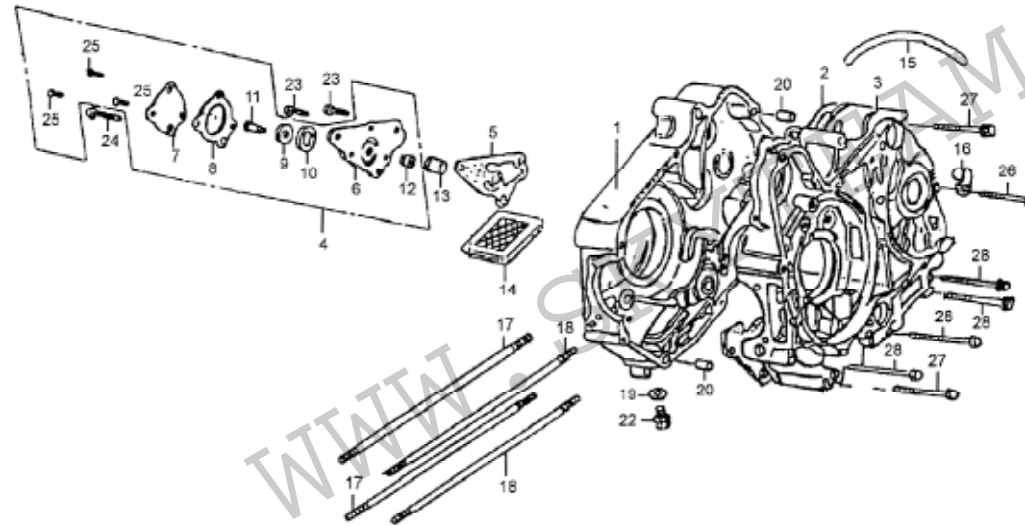
E-11 曲轴箱、机油泵 (CRANKCASE、OIL PUMP)



序号 Ref.No.	零部件代号 Part No.	零部件名称及规格	Part Name And Standard	数量 Quantity	备注 Remark
1	101102C(110cc)	右曲轴箱	Crankcase comp, R,	1	
1-1	101102C-1(50cc)	右曲轴箱	Crankcase comp, R,	1	
2	01.04.00.01(110cc)	曲轴箱衬垫	Gasket, crankcase	1	
2-1	01.04.00.01-1(50cc)	曲轴箱衬垫	Gasket, crankcase	1	
3	101002C(110cc)	左曲轴箱	Crankcase comp, L,	1	
3-1	101002C-1(50cc)	左曲轴箱	Crankcase comp, L,	1	
4	01.04.06.00	机油泵	Pump assy, oil	1	
5	01.04.00.10	机油泵衬垫	Gasket, oil pump body	1	
6	01.04.06.01	机油泵体	Body, oil pump	1	
7	01.04.06.04	机油泵盖	Cover, oil pump	1	
8	01.04.06.05	机油泵盖衬垫	Gasket, oil pump cover	1	
9	01.04.06.06	机油泵内转子	Rotor, oil pump, inner	1	
10	01.04.06.07	机油泵外转子	Rotor, oil pump, outer	1	
11	01.04.06.03	机油泵轴	Driveshaft, oil pump	1	
12	01.04.06.02	机油泵轴套	Pin, oil pump lock	1	



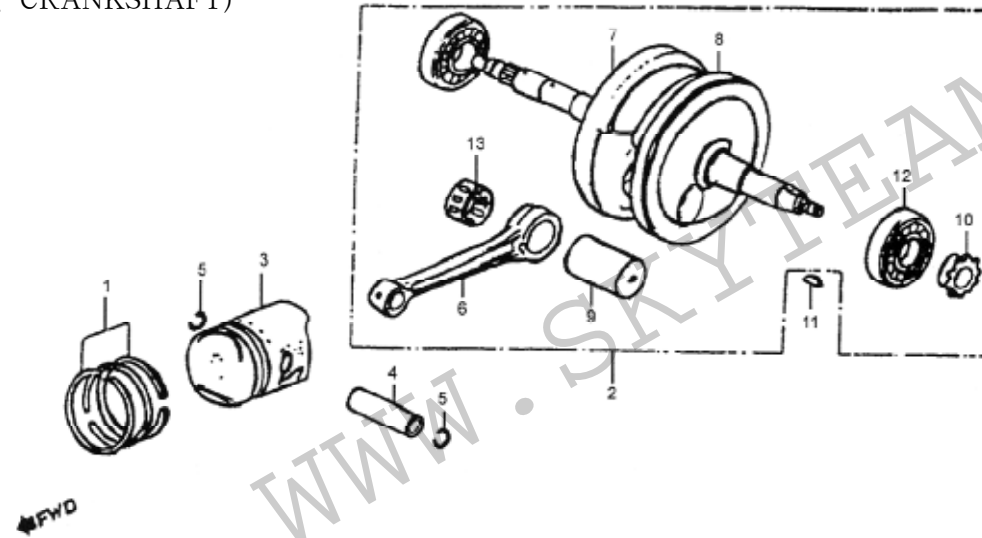
E-11 曲轴箱、机油泵 (CRANKCASE, OIL PUMP)



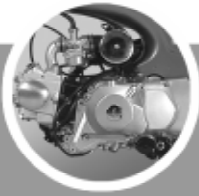
序号 Ref.No.	零部件代号 Part No.	零部件名称及规格	Part Name And Standard	数量 Quantity	备注 Remark
13	01.04.00.09	机油泵链轮轴套	Pivot, oil pump	1	
14	01.04.04.00	机油过滤网组件	Screen, oil filter	1	
15	01.04.00.24	通气管	Tube, breather	1	
16	01.04.00.28	管夹	Clamper, tube	1	
17	01.04.00.07	双头螺栓 A	Bolt A, cylinder stud	2	
18	01.04.00.26	双头螺栓 B	Bolt B, cylinder stud	2	
19	01.04.00.12	垫圈	Washer, drain plug	1	
20	01.04.00.18	定位销 10 × 14	Pin dowel, 10x14	2	
22	01.04.00.11	放油螺塞 M12 × 1.5	Bolt drain 12x1.5	1	
23	Gb818-86	螺钉 M6 × 16	Screw, 6x16	2	
24	BG818-86	螺钉 M6 × 22	Screw, 6x22	1	
25	GB818-86	螺钉 M5 × 10	Screw, psn, 6x10	3	
26	01.04.00.21	凸缘螺栓 M6 × 50	Bolt, flange 6x50	1	
27	01.04.00.19	凸缘螺栓 M6 × 60	Bolt, flange 6x60	2	
28	01.04.00.17	凸缘螺栓 M6 × 65	Bolt, flange 6x65	4	



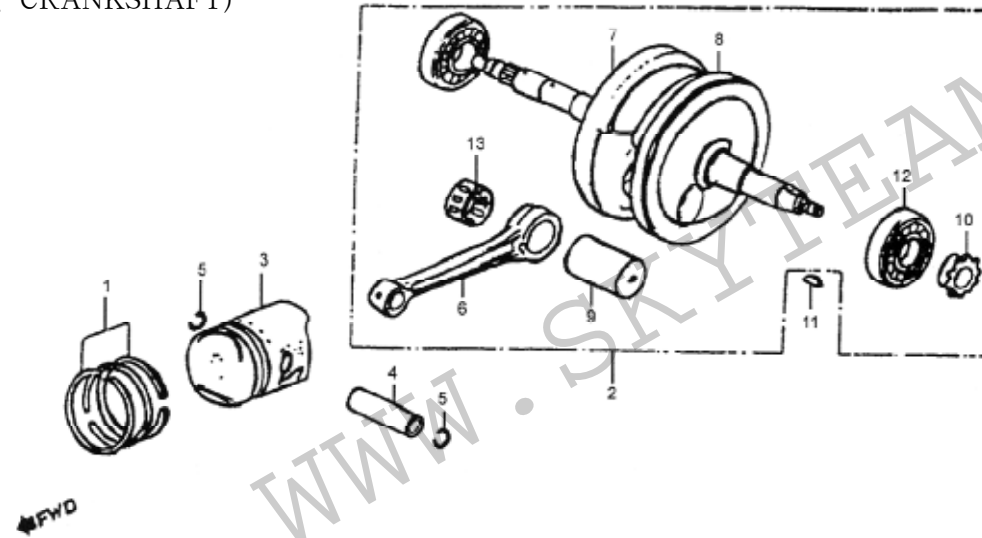
E-12 活塞、曲轴 (PISTON、CRANKSHAFT)



序号 Ref.No.	零部件代号 Part No.	零部件名称及规格	Part Name And Standard	数量 Quantity	备注 Remark
1	05.03.01.08 .09 .10	活塞环组	Ring set,piston(110cc)	1	
1-1	05.03.01.08-1 .09-1 .10-1	活塞环组	Ring set,piston(50cc)	1	
2	07.03.01.00	曲柄连杆	Cranshaft comp(110cc)	1	
2-1	07.03.01.00-1	曲柄连杆	Cranshaft comp(50cc)	1	
3	05.03.01.09	活塞	Piston(110cc)	1	
3-1	05.03.01.09-1	活塞	Piston(50cc)	1	
4	01.03.01.05	活塞销	Pin, piston(110cc)	1	
4-1	01.03.01.05-1	活塞销	Pin, piston(50cc)	1	
5	01.03.01.04	活塞销挡圈	Clip, piston pin	2	
6	05.03.01.06	连杆	Rod, connecting(110cc)	1	
6-1	05.03.01.06-1	连杆	Rod, connecting(50cc)	1	



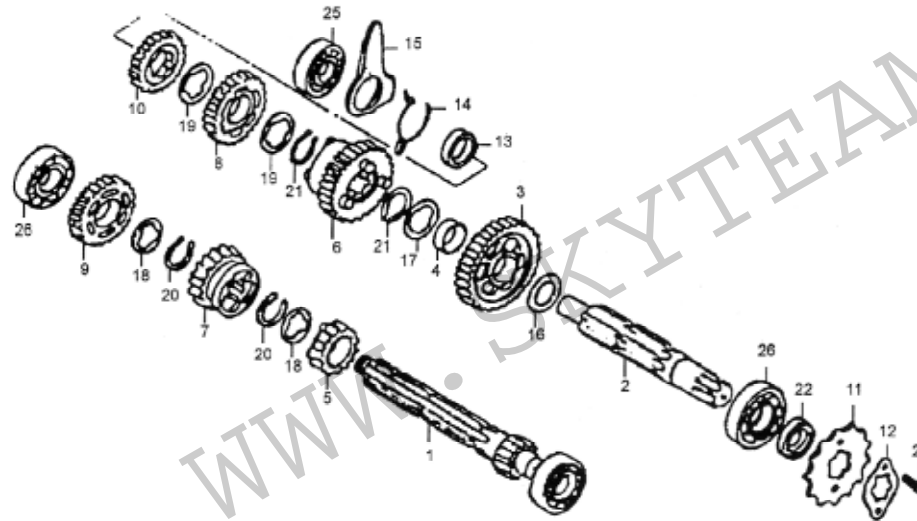
E-12 活塞、曲轴 (PISTON、CRANKSHAFT)



序号 Ref.No.	零部件代号 Part No.	零部件名称及规格	Part Name And Standard	数量 Quantity	备注 Remark
7	07.03.01.11	右曲轴组件	Crankshaft, R,(110cc)	1	
7-1	07.03.01.11-1	右曲轴组件	Crankshaft, R,(50cc)	1	
8	07.03.01.02	左曲轴	Crankshaft, L,(110cc)	1	
8-1	07.03.01.02-1	左曲轴	Crankshaft, L,(50cc)	1	
9	05.03.01.10	曲轴销	Pin, crank(110cc)	1	
9-1	05.03.01.10-1	曲轴销	Pin, crank(50cc)	1	
10	01.03.01.03	正时主动链轮	Sprocket, timing(110cc)	1	
10-1	01.03.01.03-1	正时主动链轮	Sprocket, timing(50cc)	1	
11	01.03.01.01	半圆键	Key, woodruff(110cc)	1	
11-1	01.03.01.01-1	半圆键	Key, woodruff(50cc)	1	
12	D304 GB276-82	轴承 6304	Bearing, radial ball 6304(110cc)	2	
12-1	D304 GB276-82-1	轴承	Bearing, radial ball(50cc)	2	
13	9243/23.1	滚针轴承	Needle bearing(110cc)	1	
13-1	9243/23.1-1	滚针轴承	Needle bearing(50cc)	1	



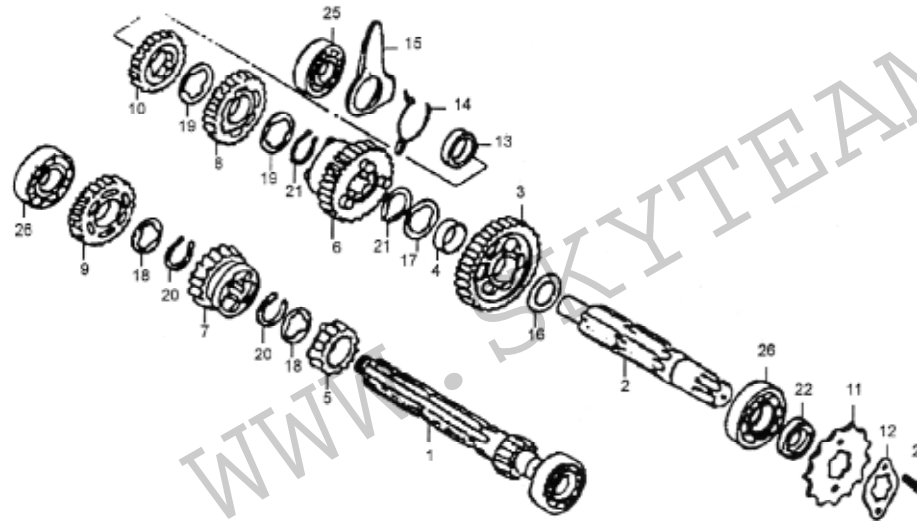
E-13 主轴、副轴 (MAINSHAFT、COUNTERSHAFT)



序号 Ref.No.	零部件代号 Part No.	零部件名称及规格	Part Name And Standard	数量 Quantity	备注 Remark
1	01.06.02.02	主轴	Mainshaft	1	
2	07.06.01.05	副轴	Countershaft	1	
3	07.06.01.02	副轴 一档齿轮	Gear, countershaft low	1	
4	07.06.01.01	衬套 20 × 9	Bush, 20x9	1	
5	07.06.02.03	主轴二挡齿轮	Gear, mainshaft second	1	
6	07.06.01.04	副轴二挡齿轮	Gear, countershaft second	1	
7	07.06.02.04	主轴三挡齿轮	Gear, mainshaft third	1	
8	07.06.01.08	副轴三挡齿轮	Gear, countershaft third	1	
9	07.06.02.05	主轴四挡齿轮	Gear, mainshaft fourth	1	
10	07.06.01.10	副轴四挡齿轮	Gear, countershaft fourth	1	
11	01.06.00.01	主动链轮(15齿)	Sprocket, drive(110cc, Z=15)	1	
11-1	01.06.00.01-1	主动链轮(13齿)	Sprocket, drive(50cc, Z=13)	1	
12	01.06.00.02	固定板	Plate, drive sprocket fixing	1	
13	07.06.01.14	衬套	Bush	1	
14	07.06.01.11	卡簧	Spring	1	



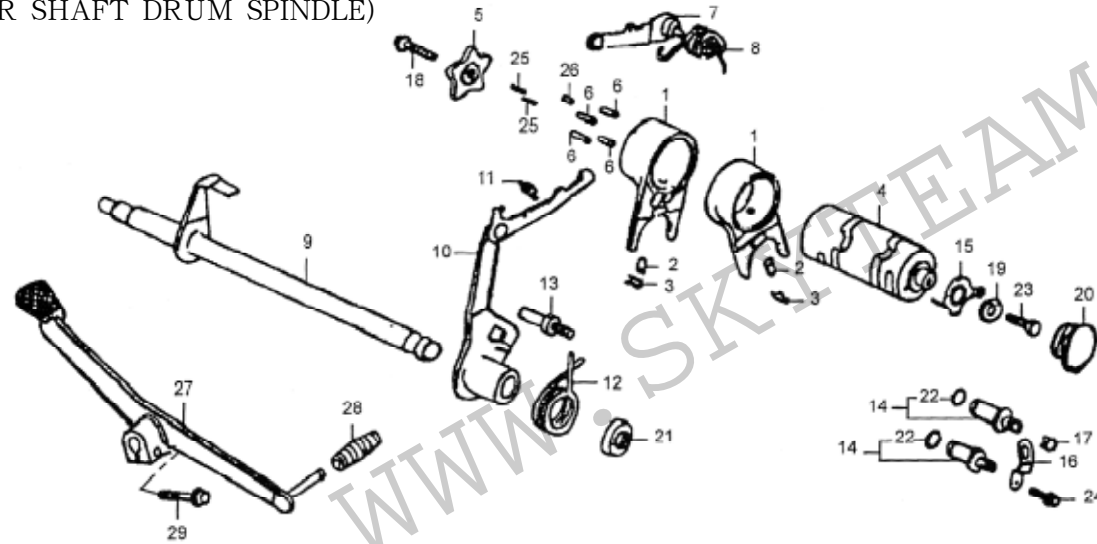
E-13 主轴、副轴 (MAINSHAFT、COUNTERSHAFT)



序号 Ref.No.	零部件代号 Part No.	零部件名称及规格	Part Name And Standard	数量 Quantity	备注 Remark
15	07.06.01.12	限位板	Stopper	1	
16	07.06.01.13	止推垫圈 17mm	Washer, thrust, 17mm	1	
17	07.06.01.07	花键垫圈 20mm	Washer, spline, 20mm	1	
18	01.06.01.03	花键垫圈 17mm	Washer, spline, 17mm	2	
19	07.06.01.07	花键垫圈 20mm	Washer, spline, 20mm	2	
20	01.06.01.06	挡圈 17mm	Cir clip, 17mm	2	
21	07.06.01.06	挡圈 20mm	Cir clip, 20mm	2	
22	01.04.14.00	油封 17 × 29 × 5	Oil seal 17x29x5	1	
23	GB5782-86	螺栓 M6 × 8	Bolt hex 6x8	2	
24	GB276-82	轴承 6001	Bearing, radial ball 6001	1	
25	GB276-82	轴承 6201	Bearing, radial ball 6201	1	
26	GB276-82	轴承 6203	Bearing, radial ball 6203	2	



E-14 变速装置 (GEAR SHAFT DRUM SPINDLE)



序号 Ref.No.	零部件代号 Part No.	零部件名称及规格	Part Name And Standard	数量 Quantity	备注 Remark
1	01.06.04.04	变速拨叉	Fork, gearshift	2	
2	01.06.04.01	导向销	Pin, gearshift fork guide	2	
3	01.06.04.03	卡簧	Clip, gearshift fork guide pin	2	
4	07.06.04.02	变速凸轮轴	Drum, gearshift	1	
5	07.06.04.06	定位挡板	Plate, gearshift drum stopper	1	
6	07.06.00.03	拨销	Pin, gearshift drum	4	
7	07.04.03.00	定位轮组件	Stopper comp, gearshift drum	1	
8	07.04.00.03	定位轮回位弹簧	Sping, gearshift drum stopper	1	
9	07.07.01.01	换挡轴	Gearshift(110cc)	1	
9-1	07.07.01.01-1	换挡轴	Gearshift(50cc)	1	
10	07.07.01.00	换挡臂	Spindle comp, gearshift(110cc)	1	
10-1	07.07.01.00-1	换挡臂	Spindle comp, gearshift(50cc)	1	
11	01.07.01.06	换挡臂弹簧	Spring, gearshift arm	1	
12	01.07.01.07	换挡轴回位弹簧	Spring, shift return spring	1	
13	01.04.00.04	回位弹簧定位螺栓	Pin, shift return spring	1	
14	01.04.08.00	挡位开关组件	Contact assy, switch	2	

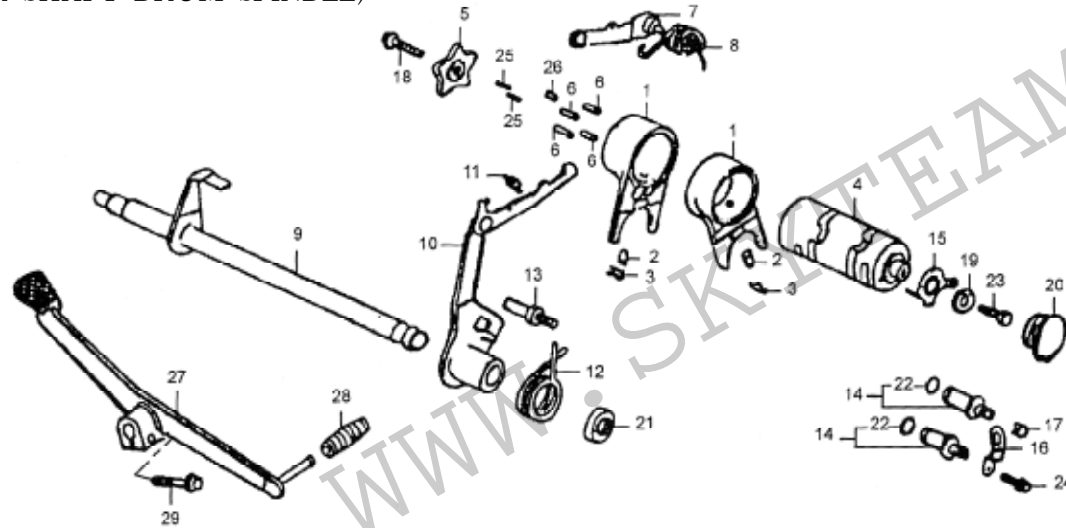


SKYTEAM

ST50-8 ST50-8A ST110-8 ST110-8A

PARTS CATALOGUE — ENGINE

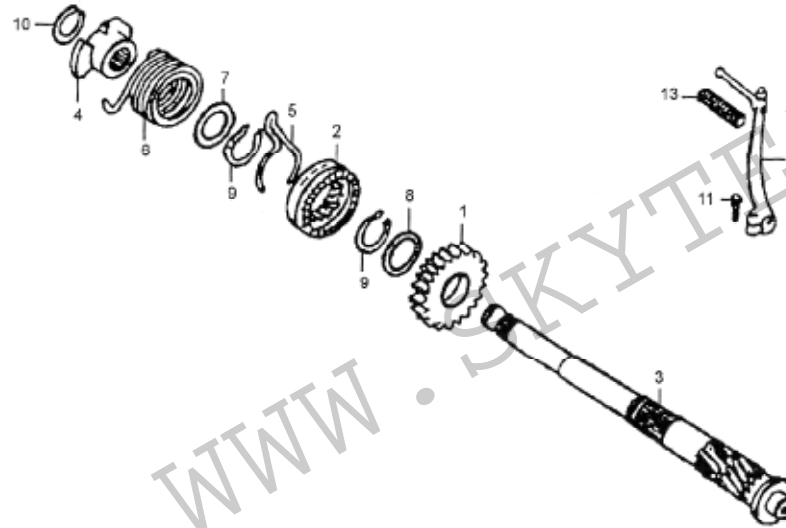
E-14 变速装置 (GEAR SHAFT DRUM SPINDLE)



序号 Ref.No.	零部件代号 Part No.	零部件名称及规格	Part Name And Standard	数量 Quantity	备注 Remark
15	07.06.04.05	挡位开关接触片	Rotor switch	1	
16	07.04.00.23	固定板	Plate, contact fixing	1	
17	140099	挡位开关帽	Cap, switch	1	
18	GB5787-86	螺栓 M6 × 16	Bolt, dowel, 6 × 16	1	
19	01.04.00.05	垫圈	Washer, gearshift drum side	1	
20	01.04.00.22	橡胶螺栓	Plug, rubber	1	
21	01.04.13.00	油封 11.6 × 24 × 10	oil seal 11.6 × 24 × 10	1	
22	01.04.08.01	O形圈 7 × 1.7	O-ring 7 × 1.7	2	
23	GB5782-86	螺栓 M6 × 12	Bolt, hex, 6 × 16	1	
24	GB5782-86	凸缘螺栓 M6 × 12	Screw, flange, 6 × 12	1	
25	140089	滚针 $\varnothing 3 \times 8.5$	Roller, 3 × 8.5	2	
26	140088	滚针 $\varnothing 4 \times 10$	Roller, 4 × 10	1	
27	07.07.02.00	变档划板	Pedal, gear change	1	
28	140087	胶套	Rubber, change pedal	1	
29	GB5782-86	螺栓 M6 × 20	Bolt, hex, 6 × 20	1	



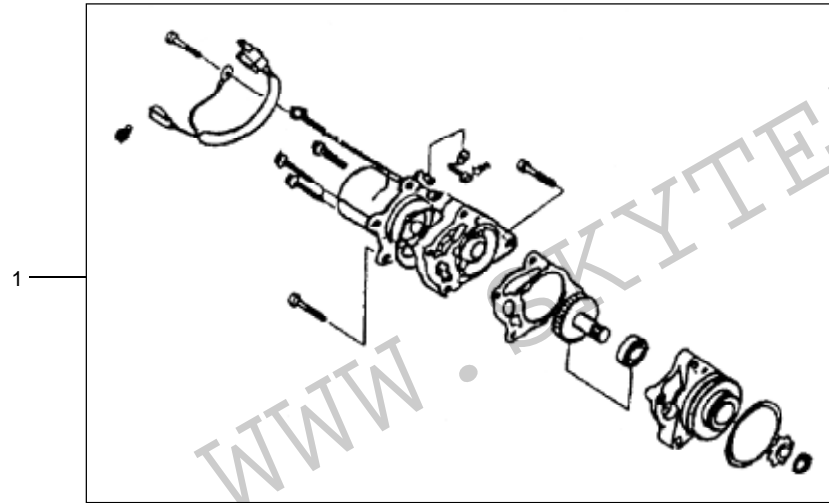
E-15 起动装置 (STARTER)



序号 Ref.No.	零部件代号 Part No.	零部件名称及规格	Part Name And Standard	数量 Quantity	备注 Remark
1	07.08.01.01	起动齿轮	Gear, kick starter	1	
2	01.08.01.03	起动棘轮	Ratchet, kick starter	1	
3	07.08.01.07	起动轴	Spindle, kick starter	1	
4	01.08.01.06	起动轴弹簧座	Retainer, kick spring	1	
5	07.08.01.13	起动齿轮卡弹簧	Spring, kick starter ratchet	1	
6	07.08.01.05	起动轴回位弹簧	Spring, kick starter	1	
7	01.08.01.09	垫圈 17mm	Washer, 17mm	1	
8	01.08.01.12	止推垫圈 20mm	washer, thrust,20mm	1	
9	01.08.01.11	挡圈 20mm	Cir clip 20mm	2	
10	01.08.01.08	挡圈 16mm	cir clip 16mm	1	
11	GB5782-86	螺栓 M6x22	Bolt, hex, 6x22	1	
12	07.08.02.00	起动踏杆	Arm, kick starter	1	
13	07.08.02.03	踏杆橡胶套	Rubber, kick starter	1	



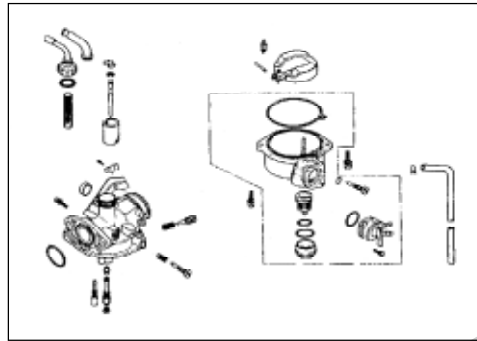
E-16 起动电机 (MOTOR, STARTER)



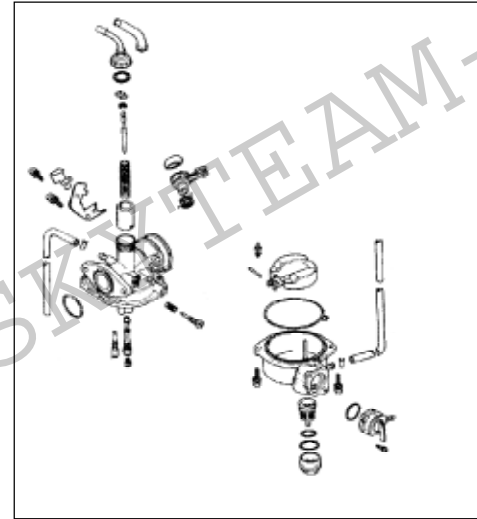
序号 Ref.No.	零部件代号 Part No.	零部件名称及规格	Part Name And Standard	数量 Quantity	备注 Remark
1	02.12.00.00	起动电机总成	Starting motor assy	1	



E-17 化油器 (CARBURETOR COMP)



1



2

序号 Ref.No.	零部件代号 Part No.	零部件名称及规格	Part Name And Standard	数量 Quantity	备注 Remark
1	13200-14A00	化油器	CARBURETOR(50cc)	1	
2	13200-14G00	化油器	CARBURETOR(110cc)	1	

ST50-8 ST50-8A ST110-8 ST110-8A



PARTS CATALOGUE — VEHICLE



SKYTEAM

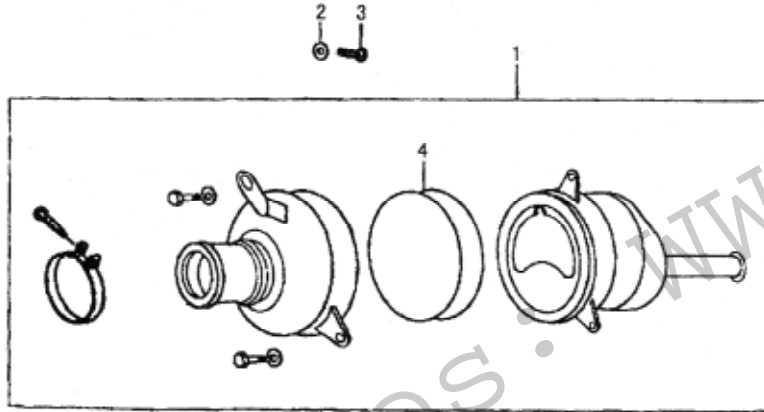
ST50-8 ST50-8A ST110-8 ST110-8A

PARTS CATALOGUE — VEHICLE

CLEANER

FIG.1

序号	件号	英文名称	中文名称	数量
1	13700-15A00	CLEANER ASSY, AIR(ST50-8, ST50-8A)	空气滤清器总成	1
1-1	13700-15G00	CLEANER ASSY, AIR(ST110-8, ST110-8A)	空气滤清器总成	1
2	GB97.1-85 6-140HV-Zn.DC	WASHER	垫圈	1
3	GB5783-86 M6 x 12-Zn.DC	BOLT	螺栓	1
4	13701-15A00	FILTER	过滤器	1





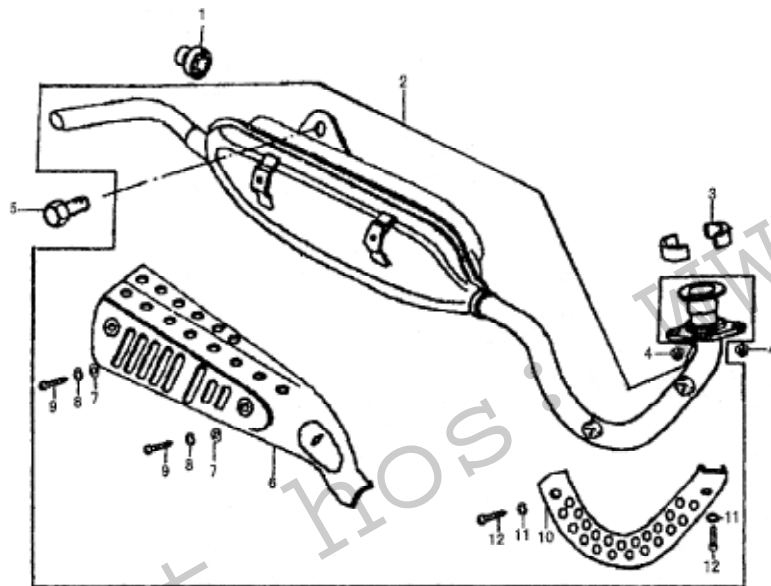
SKYTEAM

ST50-8 ST50-8A ST110-8 ST110-8A

PARTS CATALOGUE — VEHICLE

MUFFLER

FIG.2



序号	件号	英文名称	中文名称	数量
1	14371-15A00	RUBBER WASHER	排气口胶套	1
2	14300-15A00	MUFFLER ASSY(ST50-8, ST50-8A)	消声器总成	1
2-1	14300-15G00	MUFFLER ASSY(ST110-8, ST110-8A)	消声器总成	1
3	14811-15A00	CLAMP	卡箍	2
4	GB6170-86 M6-Cr	NUT	螺母	2
5	GB5787-86 M8 x 20-Zn.DB	BOLT	螺栓	1
6	14301-15A00	BIG PLATE	大装饰板	1
7	14305-15A00	WASHER	垫圈	2
8	GB93-87 6	SPRING WASHER	弹簧垫圈	2
9	14302-15A00	SCREW	螺钉	2
10	14303-15A00	SMALL PLATE	小装饰板	1
11	14304-15A00	WASHER	垫圈	2
12	GB818-85 M5 x 8	SCREW	螺钉	2



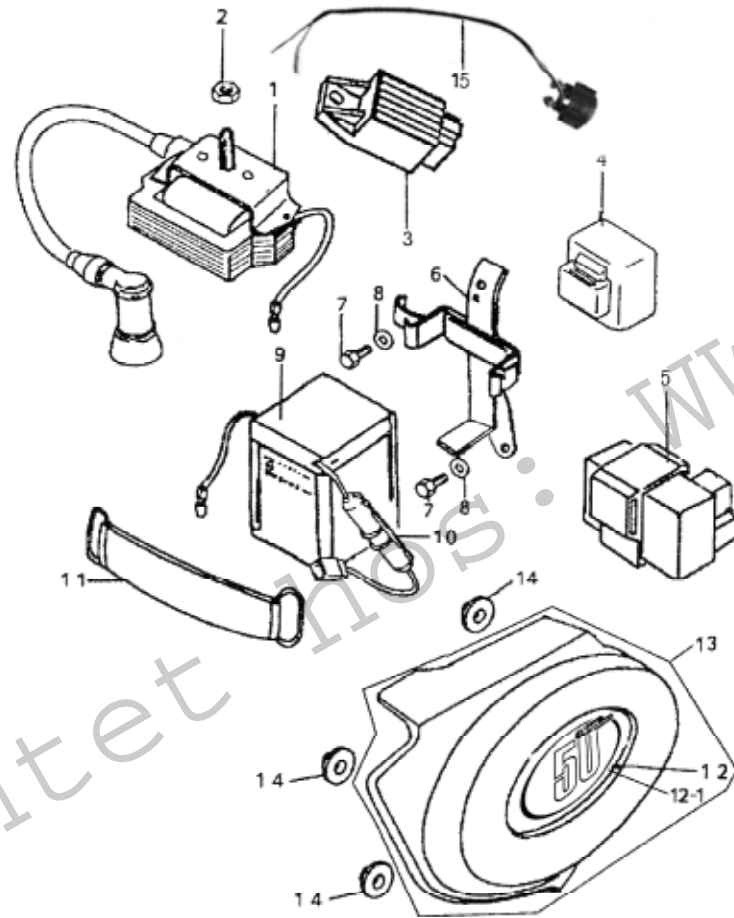
SKYTEAM

ST50-8 ST50-8A ST110-8 ST110-8A

PARTS CATALOGUE — VEHICLE

FRAME COVER, ELECTRICAL

FIG.3



序号	件号	英文名称	中文名称	数量
1	33400-15A00	IGNITION COIL	点火线圈	1
2	GB6170-86M6 x 8-Zn.DB	NUT	螺母	1
3	32810-15A00	RECTIFIER ASSY	稳压整流器	1
4	38620-15A00	RELAY ASSY, TURN SIGNAL	闪光继电器	1
5	32900-15A00	CDI UNIT	点火器	1
6	33610-15A00	HOLDER, BATTERY	蓄电池架组件	1
7	GB5783-86 M6 12-Zn.DC	BOLT	螺栓	2
8	GB97.1-85 6-140HV-Zn.DC	WASHER	垫圈	2
9	33610-15A00	BATTERY	蓄电池	1
10	37312-15A00	FUSE	保险丝	1
11	41520-15A00	BAND, BATTERY	攀带组件	1
12	68210-15A00	TAPE	护板贴花	1
12-1	68210-15A10	TAPE	护板贴花	1
13	47211-15A00	SHIELD, LH	左护罩	1
14	47221-15A00	SEAL	橡胶圈	3
15	31800-15A00	RELAY ASSY., ELEC. START MODEL	启动继电器	1



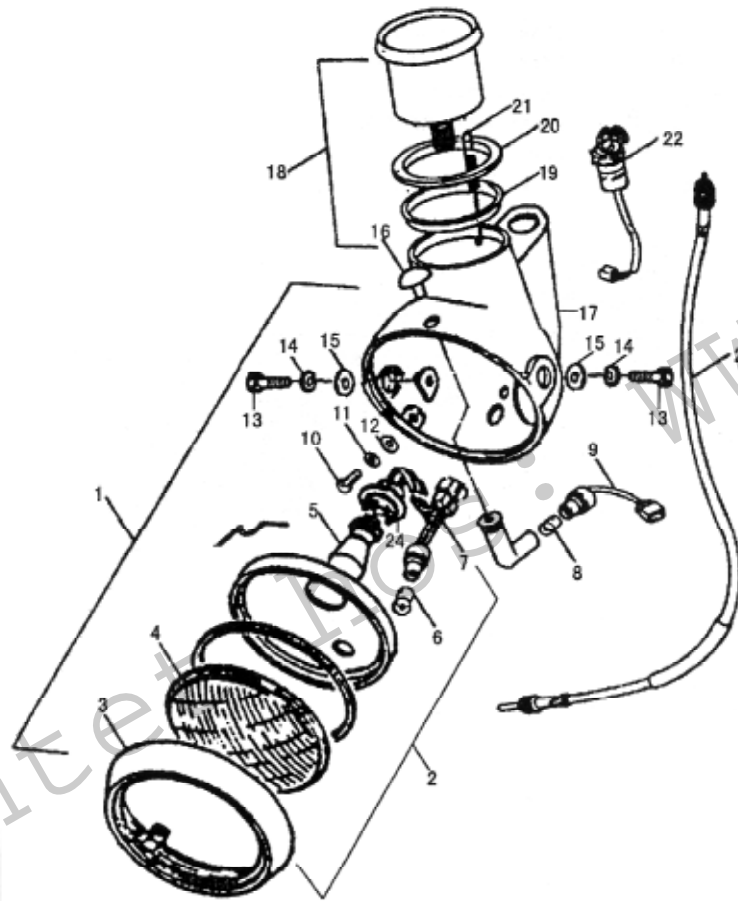
SKYTEAM

ST50-8 ST50-8A ST110-8 ST110-8A

PARTS CATALOGUE — VEHICLE

HEADLAMP, SPEEDOMETER

FIG.4



序号	件号	英文名称	中文名称	数量
1	35100-15A00	HEADLIGHT ASSY	前大灯总成	1
2	35120-15A00	HEADLIGHT(EXCEPT THE COVER)	前大灯灯头组件	1
3	35101-15A00	RIM	前框架	1
4	35102-15A00	LAMP GLASS	大灯玻璃	1
5	G8120-NS125	BULB	灯泡	1
6	G8120-NT403	BULB	灯泡	1
7	35106-15A00	HOLDER	灯座组件	1
8	G8120-NT403	BULB	灯泡	1
9	35108-15A00	HOLDER	灯座组件	1
10	GB823-88 M414-Zn.DB	SCREW	螺钉	2
11	GB93-87 4-Y-Zn.DB	SPRING WASHER	弹簧垫圈	2
12	GB97-1-85 4-Zn.DB	WASHER	垫圈	2
13	GB5785-86 M8 x 25-Zn.DB	BOLT	螺栓	2
14	GB93-87 8-Y-Zn.DB	SPRING WASHER	弹簧垫圈	2
15	GB9701-85 8-Zn.DB	WASHER	垫圈	2
16	35109-15A00	PILOT LENS	指示镜	1
17	35130-15A00	HEADLIGHT COVER	前大灯罩壳组件	1
18	34100-15G00	SPEEDOMETER(ST110-8, ST110-8A)	车速里程表	1
18-1	34100-15A00	SPEEDOMETER(ST50-8, ST50-8A)	车速里程表	1
19	34101-15A00	SET RING	卡圈	1
20	34102-15A00	RUBBER PAD	橡胶垫	1
21	34103-15A00	SPRING	弹簧	1
22	46700-15A00	SWITCH ASSY, IGNITION	电锁	1
23	34900-15A00	CABLE, SPEEDOMETER	里程表软轴	1
24	35110-15A00	LAMP HOLDER	大灯灯座	1



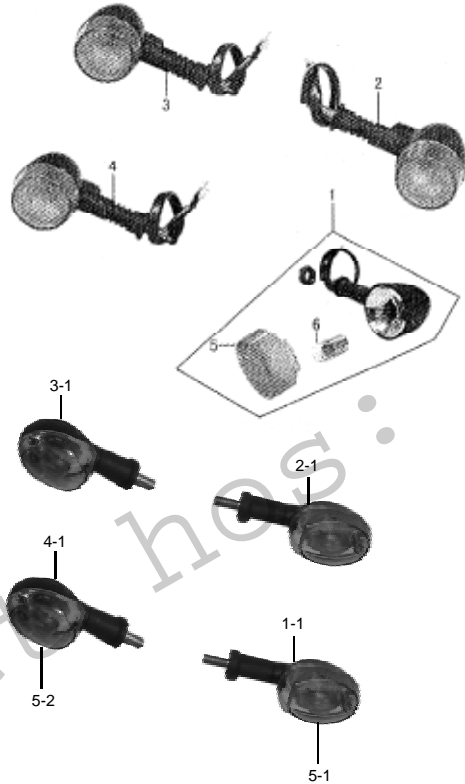
SKYTEAM

ST50-8 ST50-8A ST110-8 ST110-8A

PARTS CATALOGUE — VEHICLE

TURN SIGNAL LAMP

FIG.5



序号	件号	英文名称	中文名称	数量
1	35300-15A00	LAMP ASSY, FRONT, LH	前左转向灯	1
1-1	35300-15A10	LAMP ASSY, FRONT, LH	前左转向灯	1
2	35500-15A00	LAMP ASSY, REAR, RH	后右转向灯	1
2-1	35300-15A10	LAMP ASSY, REAR, RH	后右转向灯	1
3	35400-15A00	LAMP ASSY, REAR, LH	后左转向灯	1
3-1	35400-15A10	LAMP ASSY, REAR, LH	后左转向灯	1
4	35200-15A00	LAMP ASSY, FRONT, RH	前右转向灯	1
4-1	35400-15A10	LAMP ASSY, FRONT, RH	前右转向灯	1
5	35201-15A00	LENS	转向灯罩壳	4
5-1	35201-15A10	LENS, LH	左转向灯罩壳	2
5-2	35201-15A20	LENS, RH	右转向灯罩壳	2
6	GB120-GR100	BULB	灯泡	4



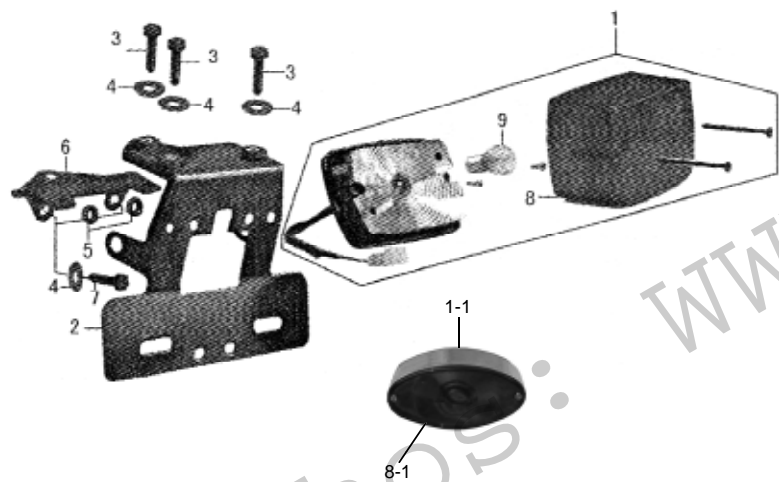
SKYTEAM

ST50-8 ST50-8A ST110-8 ST110-8A

PARTS CATALOGUE — VEHICLE

TAIL LAMP

FIG.6



序号	件号	英文名称	中文名称	数量
1	35700-15A00	LAMP ASSY, TAIL	尾灯总成	1
1-1	35700-15A10	LAMP ASSY, TAIL	尾灯总成	1
2	46500-15A00	HOLDER, TAIL LAMP	尾灯支架组件	1
3	GB5783-86 M625-Zn.DJ	BOLT	螺栓	3
4	GB96-85 6-140HV-Zn.DJ	WASHER	垫圈	5
5	08319-31103	NUT	螺母	2
6	46511-15A00	REAR LIGHT BRACKER	尾灯托板架	1
7	GB5783-86 M6 × 16-Zn.DJ	BOLT	螺栓	2
8	35701-15A00	LENS, TAIL	尾灯罩壳	1
8-1	35701-15A10	LENS, TAIL	尾灯罩壳	1
9	G8120-GP215	BULB	灯泡	1



SKYTEAM

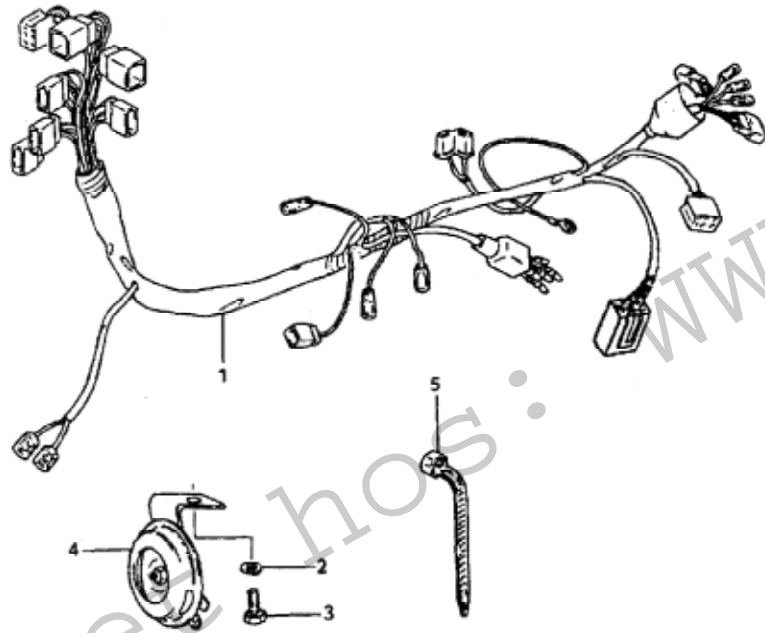
ST50-8 ST50-8A ST110-8 ST110-8A

PARTS CATALOGUE — VEHICLE

WIRING HARNESS

FIG.7

序号	件号	英文名称	中文名称	数量
1	36600-15A00	WIRING HARNESS	导线束总成	1
2	GB859-876-Zn.DJ	SPRING WASHER	弹簧垫圈	1
3	GB30-76 M6 x 12-Zn.DJ	BOLT	螺栓	1
4	38500-15A00	HORN ASSY	喇叭	1
5	36611-15A00	CLAMP	导线固定带	4





SKYTEAM

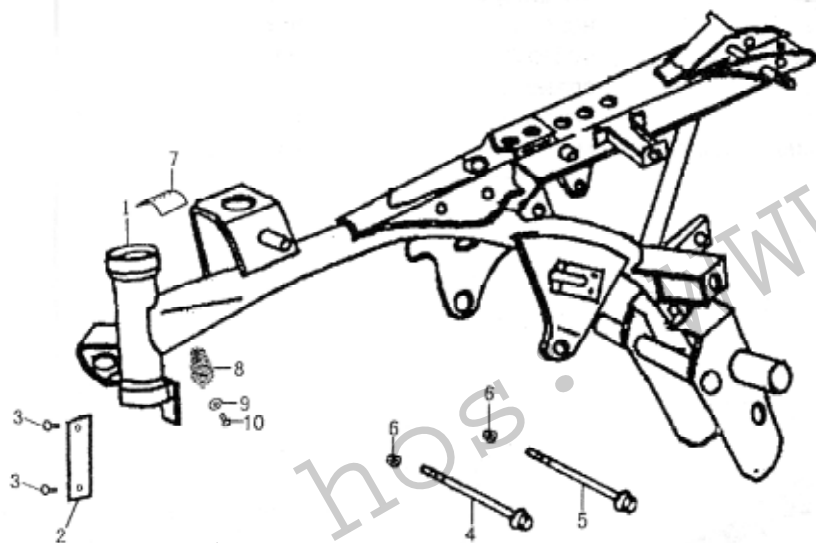
ST50-8 ST50-8A ST110-8 ST110-8A

PARTS CATALOGUE — VEHICLE

FRAME

FIG.8

序号	件号	英文名称	中文名称	数量
1	41100-15A00	FRAME	车架	1
2	68101-15A00	NAME PLATE	铭牌	1
3	GB827-86 2 x 5	RIVET	铆钉	4
4	09112-15A00	BOLT	螺栓	1
5	09099-15A00	BOLT	螺栓	1
6	08319-31083	NUT	螺母	2
7	68712-15A00	ANTI-TEMPERING PLATE	防改装标牌	1
8	37110-15A00	STEERING LOCK ASSY	车头锁	1
9	GB96-85 5-140HV-Zn.DJ	WASHER	大垫圈	1
10	GB827-88 4 x 8-Zn.DB	RIVET	铆钉	1





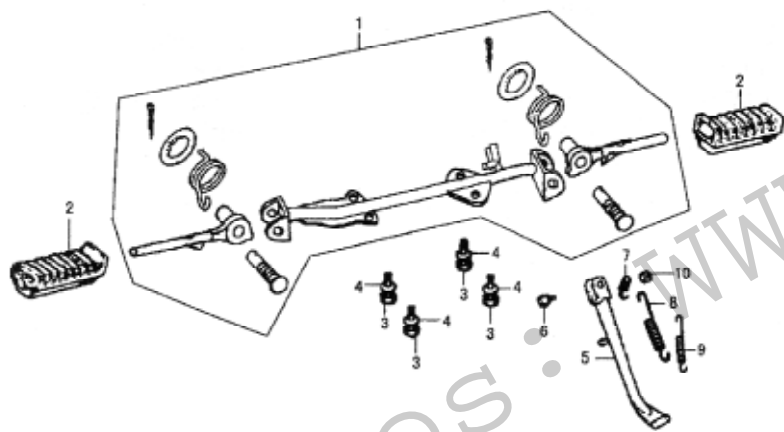
SKYTEAM

ST50-8 ST50-8A ST110-8 ST110-8A

PARTS CATALOGUE — VEHICLE

FOOTREST, BAR STAND

FIG.9



序号	件号	英文名称	中文名称	数量
1	43510-15A00	BAR, FRONT FOOTREST	前脚踏支架组件	1
2	43551-15A00	RUBBER	前脚踏皮	2
3	GB5783-86 M8 x 20-Zn.DC	BOLT	螺栓	4
4	GB859-87 8-Zn.DC	SPRING WASHER	弹簧垫圈	4
5	42310-15A00	STAND, PROP	单撑组件	1
6	T011-10002	BOLT	螺栓	1
7	42321-15A00	HOOK	挂片	1
8	42322-15A00	SPRING	拉簧 I	1
9	42323-15A00	SPRING	拉簧 II	1
10	GB889-86 M10 x 1.25-Zn.DJ	NUT	螺母	1



SKYTEAM

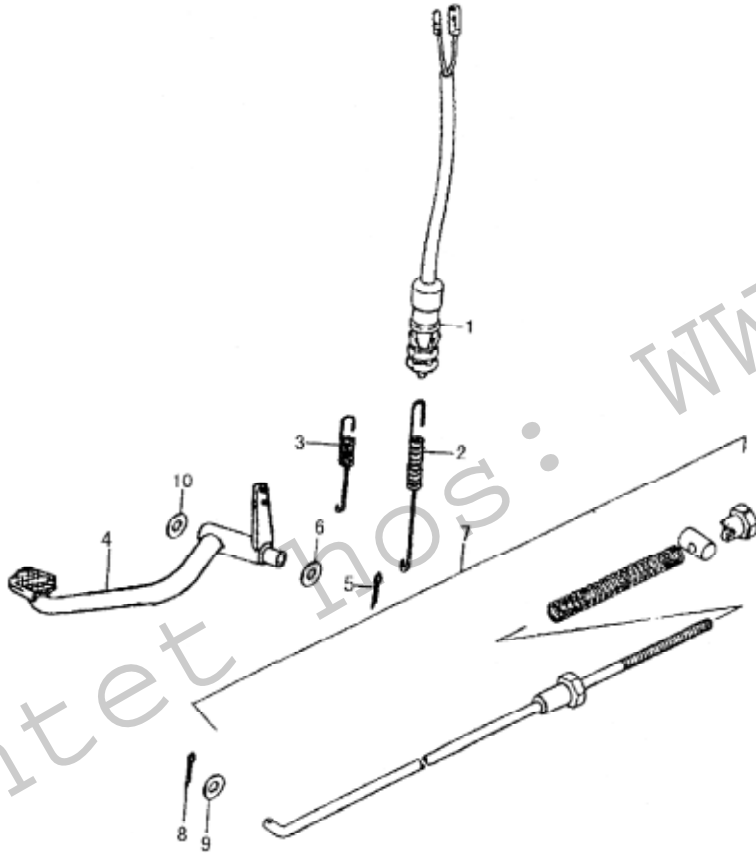
ST50-8 ST50-8A ST110-8 ST110-8A

PARTS CATALOGUE — VEHICLE

PEDAL BRAKE

FIG.10

序号	件号	英文名称	中文名称	数量
1	37740-15A00	BRAKE, SWITCHASSY	后刹开关	1
2	37741-15A00	SPRING	刹车弹簧	1
3	43322-15A00	SPRING	拉簧	1
4	43110-15A00	BRAKE PEDAL	制动踏板组件	1
5	GB91-86 3 × 26-Zn.DB	COTTER PIN	开口销	1
6	09160-15A00	WASHER	垫圈	1
7	43310-15A00	BRAKE ROD	制动拉杆组件	1
8	GB91-86 1.6 × 16-Zn.DB	COTTER PIN	开口销	1
9	GB97.1-85 5-140HV-Zn.DB	WASHER	垫圈	1
10	GB/T 97.3 14-Zn.DC	WASHER	垫圈	1





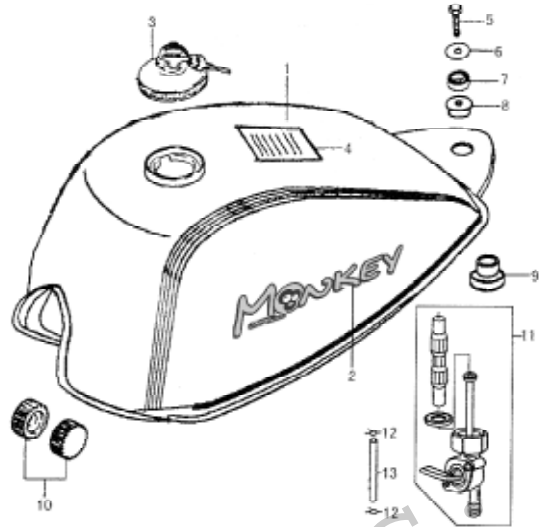
SKYTEAM

ST50-8 ST50-8A ST110-8 ST110-8A

PARTS CATALOGUE — VEHICLE

FUEL TANK

FIG.11



序号	件号	英文名称	中文名称	数量
1	44110-15A00	FUEL TANK ASSY	油箱组件	1
1-1	44110-15A10	FUEL TANK ASSY	油箱组件	1
2	68110-15A00	FUEL TANK TAPE	油箱贴花	2
2-1	68110-15A10	FUEL TANK TAPE	油箱贴花	2
3	37300-15A00	FUEL TANK CAP	油箱盖	1
4	68121-15A00	WARNING TAPE	警告贴花	1
5	GB5783-86 M6 x 25-Zn.DB	BOLT	螺栓	1
6	09116-06078-1Z	WASHER	垫圈	1
7	44415-15A00	BUSHING	衬套	1
8	44414-15A00	CUSHION	后安装座上套	1
9	44416-15A00	CUSHION	后安装座下座	1
10	44413-15A00	CUSHION, FRONT	前安装座	2
11	44300-15A00	COCK ASSY, FUEL TANK	油箱开关	1
12	09401-15A00	SET RING	卡子	2
13	44412-15A00	OIL HOSE	油管	1



SKYTEAM

ST50-8 ST50-8A ST110-8 ST110-8A

PARTS CATALOGUE — VEHICLE

SEAT

FIG.12

序号	件号	英文名称	中文名称	数量
1	45100-15A00	SEAT(ST50-8, ST110-8)	座垫	1
1-1	45100-15A20	SEAT(ST50-8A, ST110-8A)	座垫	1
2	08319-31083	NUT	螺母	1
3	45411-15A00	BOLT	螺栓	1





SKYTEAM

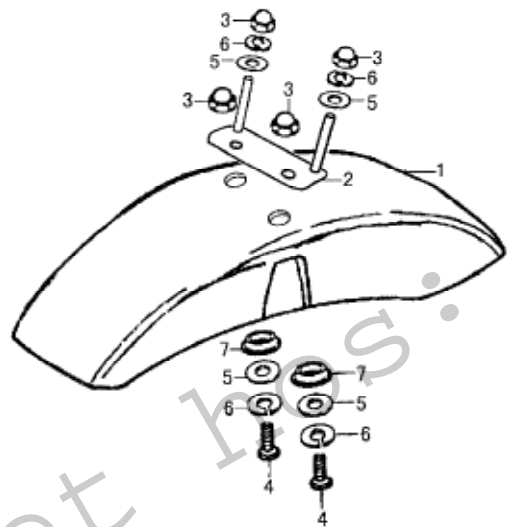
ST50-8 ST50-8A ST110-8 ST110-8A

PARTS CATALOGUE — VEHICLE

FENDER FRONT

FIG.13

序号	件号	英文名称	中文名称	数量
1	53411-15A00	FENDER, FRONT	前挡泥板	1
2	51520-15A00	CONNECTION BOARD	连接板组件	1
3	GB923-88 M6-Zn.DJ	NUT	螺母	4
4	GB5783-86 M6 x 16-Zn.DJ	BOLT	螺栓	2
5	GB97.1-85 6-140HV-Zn.DJ	WASHER	垫圈	4
6	GB859-87 6-Zn.DJ	SPRING WASHER	弹簧垫圈	4
7	53111-15A00	BUSHING	衬套	2





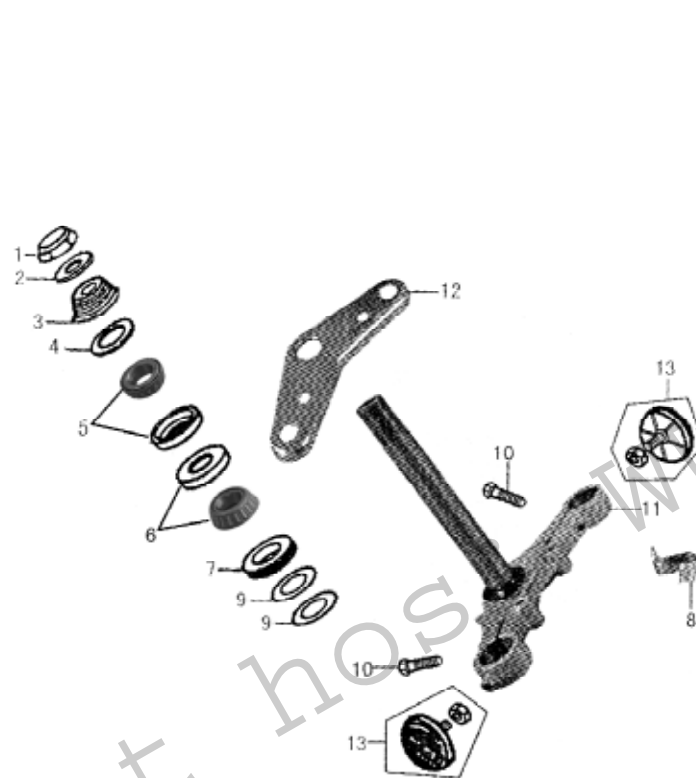
SKYTEAM

ST50-8 ST50-8A ST110-8 ST110-8A

PARTS CATALOGUE — VEHICLE

FRONT FORK

FIG.14



序号	件号	英文名称	中文名称	数量
1	51633-15A00	STEERING NUT	方向柱螺母	1
2	51612-15A00	WASHER	垫圈	1
3	51631-15A00	STEERING NUT	带槽螺母	1
4	51643-15A00	DUST SEAL	上部转向防尘圈	1
5	09265-15A00	BEARING, UPPER	上轴承	1
6	09265-15A10	BEARING, LOWER	下轴承	1
7	51613-15A00	SEAL	密封圈	1
8	59242-15A00	CLIP	油管固定卡	1
9	51614-15A00	WASHER	垫圈	2
10	GB5787-86 M8 x 30-Cr	BOLT	螺栓	2
11	51410-15A00	STEERING STEM	下联板组件	1
12	51300-15A00	STEERING HEAD	上联板组件	1
13	35950-15A00	REFLECTOR, SIDE	边缘反射器	2



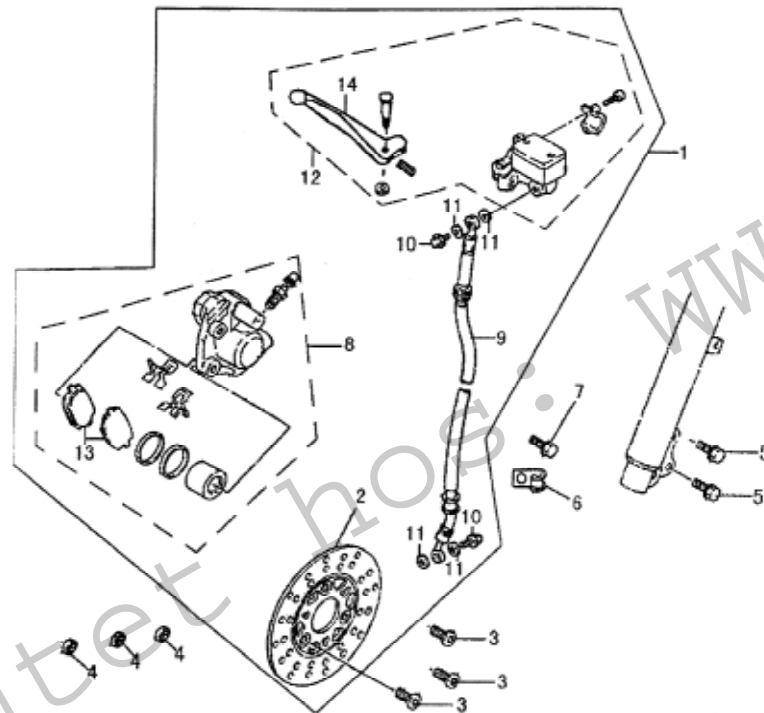
SKYTEAM

ST50-8 ST50-8A ST110-8 ST110-8A

PARTS CATALOGUE — VEHICLE

BRAKE ASSY, FRONT

FIG.15



序号	件号	英文名称	中文名称	数量
1	59000-15A00	FRONT BRAKE ASSY	前轮盘式制动器总成	1
2	59411-15A00	BRAKE DISC	制动盘	1
3	59421-15A00	SCREW	螺钉	3
4	08319-31083	NUT	螺母	3
5	GB5787-86 M8 x 30-Zn.DJ	BOLT	螺栓	2
6	59489-15A00	SET RING	卡子	1
7	GB5787-86 M610-Zn.DJ	BOLT	螺栓	1
8	59300-15A00	CALIPER ASSY	制动钳组件	1
9	59480-15A00	BRAKE PIPE	制动管组件	1
10	09360-15A00	BOLT	油嘴螺栓	2
11	09161-15A00	WASHER	垫圈	4
12	59600-15A00	MASTER CYLINDER	前刹车主泵组件	1
13	59370-15A00	PAD SET	制动片组件	1
14	57421-15A00	LEVER, BRAKE	前制动手柄	1



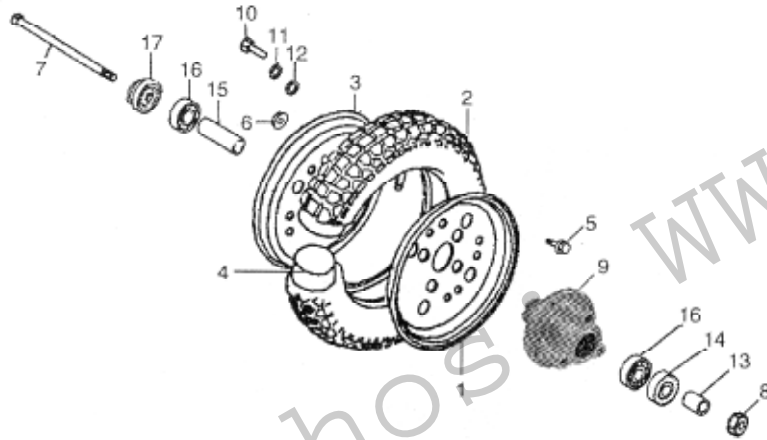
SKYTEAM

ST50-8 ST50-8A ST110-8 ST110-8A

PARTS CATALOGUE — VEHICLE

FRONT WHEEL

FIG.16



序号	件号	英文名称	中文名称	数量
1	55301-15A00	RIM, WHEEL, RH	轮辋右件	1
2	55100-15A00	TIRE	外胎	1
3	55302-15A00	RIM, WHEEL, LH	轮辋左件	1
4	55200-15A00	TUBE, INNER	内胎	1
5	GB5787-86 M8 x 12-Zn.DJ	BOLT	螺栓	8
6	08319-31083	NUT	螺母	8
7	54711-15A00	AXLE, FRONT	前轮轴	1
8	08319-31108	NUT	螺母	1
9	54111-15A00	RIM, FRONT WHEEL	前轮轮毂	1
10	GB5783-86 M8 x 18-Zn.DJ	BOLT	螺栓	4
11	GB97.1-85 8-140HV-Zn.DJ	WASHER	垫圈	4
12	GB93-87 8-Zn.DJ	SPRING WASHER	弹簧垫圈	4
13	54121-15A00	BUSHING	前轮衬套	1
14	09285-15A00	GASKET	前轮密封圈	1
15	54123-15A00	BUSHING	前轮中间衬套	1
16	60300 GB278-82	BEARING	轴承	2
17	54620-15A00	GEAR BOX ASSY, SPEEDOMETER	变速器组件	1



SKYTEAM

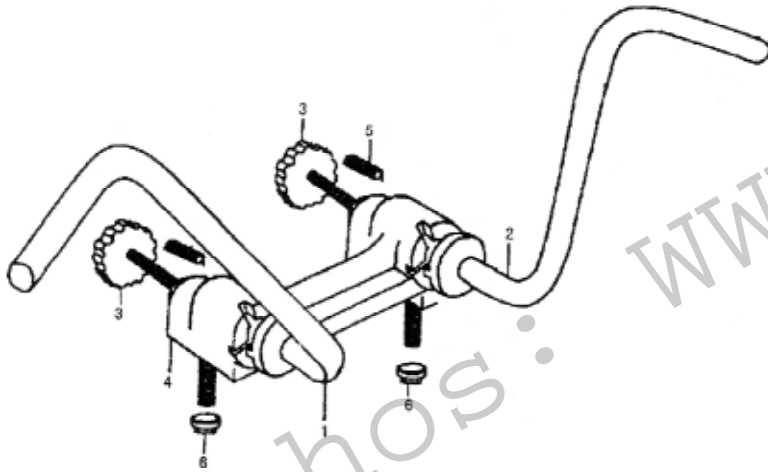
ST50-8 ST50-8A ST110-8 ST110-8A

PARTS CATALOGUE — VEHICLE

HANLEBAR

FIG.17

序号	件号	英文名称	中文名称	数量
1	56110-15A00	HANDLE BAR, LH	左方向把组件	1
2	56120-15A00	HANDLE BAR, RH	右方向把组件	1
3	56130-15A00	LOCKING COMP, HANDLE BAR	方向把锁紧手柄组件	2
4	56140-15A00	HOLDER, HANDLE BAR	方向把座组件	1
5	56141-15A00	SPRING	弹簧	2
6	08319-31103	NUT	螺母	2





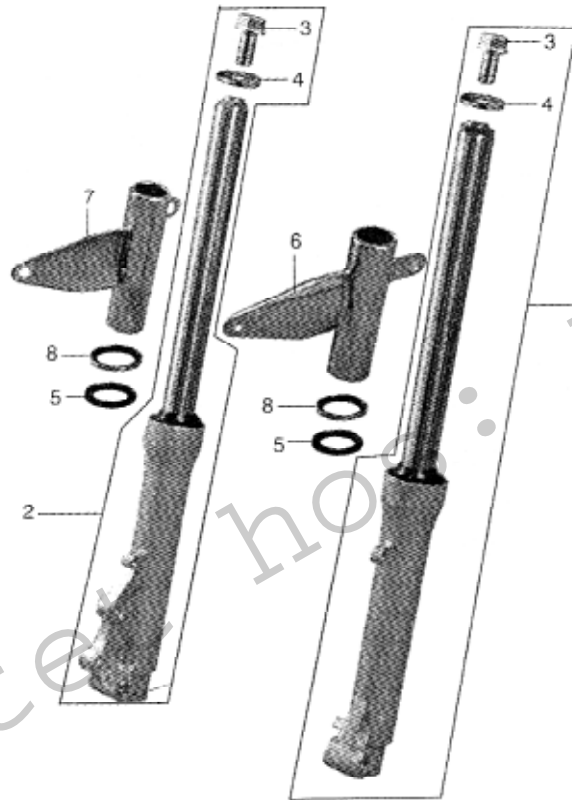
SKYTEAM

ST50-8 ST50-8A ST110-8 ST110-8A

PARTS CATALOGUE — VEHICLE

DAMPER

FIG.18



序号	件号	英文名称	中文名称	数量
1	52200-15A00	DAMPER ASSY FRONT, LH	左前减震器组件	1
2	52100-15A00	DAMPER ASSY FRONT, RH	右前减震器组件	1
3	51351-15A00	BOLT	螺栓	2
4	51356-15A00	WASHER	垫圈	2
5	51552-15A00	CUSHION	衬垫	2
6	51540-15A00	HEADLIGHT HOLDER, LH	前大灯左支架	1
7	51530-15A00	HEADLIGHT HOLDER, RH	前大灯右支架	1
8	51551-15A00	HOLDER	座	2



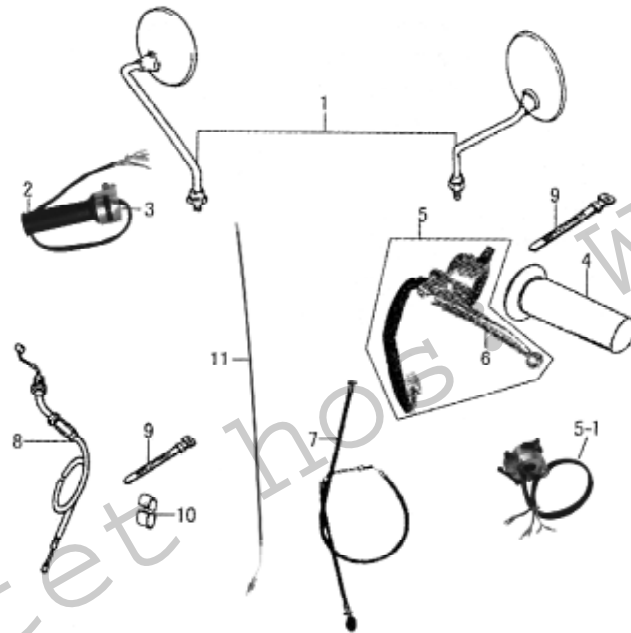
SKYTEAM

ST50-8 ST50-8A ST110-8 ST110-8A

PARTS CATALOGUE — VEHICLE

SWITCH, HANDLE

FIG.19



序号	件号	英文名称	中文名称	数量
1	56500-56600-15A00	REAR VIEW MIRROR	后视镜组件	1
2	57110-15A00	GRIP, THROTTLE	油门手把	1
3	57100-15A00	RIGHT HANDLE SWITCH ASSY	右把手开关组	1
4	57211-15A00	GRIP, LH	左手把	1
5	57200-15A00	LEFT HANDLE SWITCH ASSY (MANUAL CLUTCH)	离合器及左开关组件	1
5-1	57200-15A10	LEFT HANDLE SWITCH ASSY (SEMI-AUTOMATIC CLUTCH)	风门及左开关组件	1
6	57201-15A00	HAND GRIP, CLUTCH(MANUAL CLUTCH)	离合器手柄	1
7	58200-15A00	CLUTCH THROTTLE ASSY(MANUAL CLUTCH)	离合器钢索组件	1
8	58300-15A00	CABLE, THROTTLE	油门钢索组件	1
9	09407-12402	BAND	导线束固定带	4
10	09408-00001	CLIP	线夹	1
11	58410-15A00	CABLE, CHOKE	风门线	1



SKYTEAM

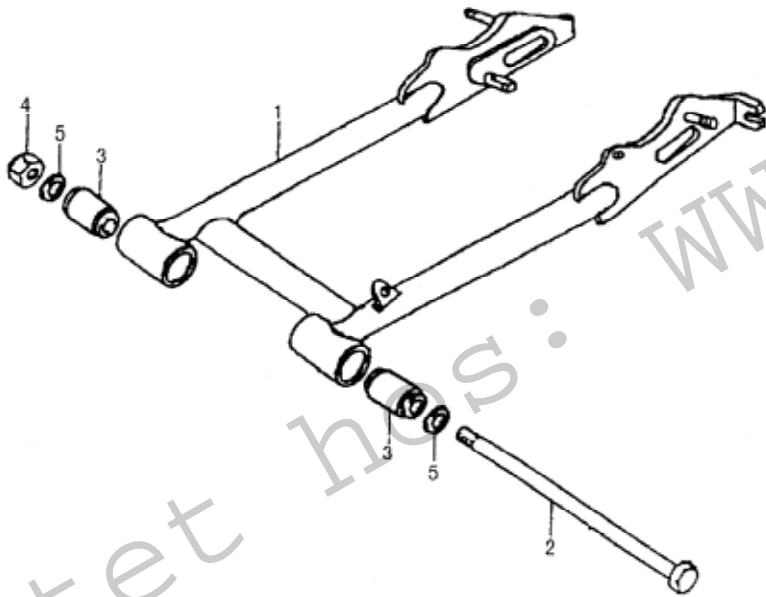
ST50-8 ST50-8A ST110-8 ST110-8A

PARTS CATALOGUE — VEHICLE

SWINGING ARM SET

FIG.20

序号	件号	英文名称	中文名称	数量
1	61100-15A00	SWINGING ARM COMP	后摇臂焊接组件	1
2	61201-15A00	SHAFT	后摇臂轴	1
3	51120-15A00	BUSHING	衬套组件	2
4	08319-31108	NUT	螺母	1
5	GB5287-85 10-100HV	WASHER	垫圈	2





SKYTEAM

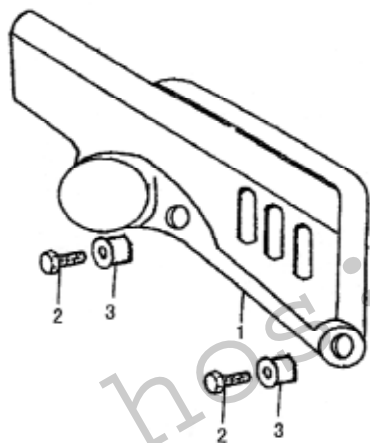
ST50-8 ST50-8A ST110-8 ST110-8A

PARTS CATALOGUE — VEHICLE

CHAIN CASE

FIG.21

序号	件号	英文名称	中文名称	数量
1	61300-15A00	CHAIN CASE	链罩	1
2	GB818-85 M6 x 12-Zn.DJ	SCREW	螺钉	2
3	53111-15A00	BUSHING	衬套	2





SKYTEAM

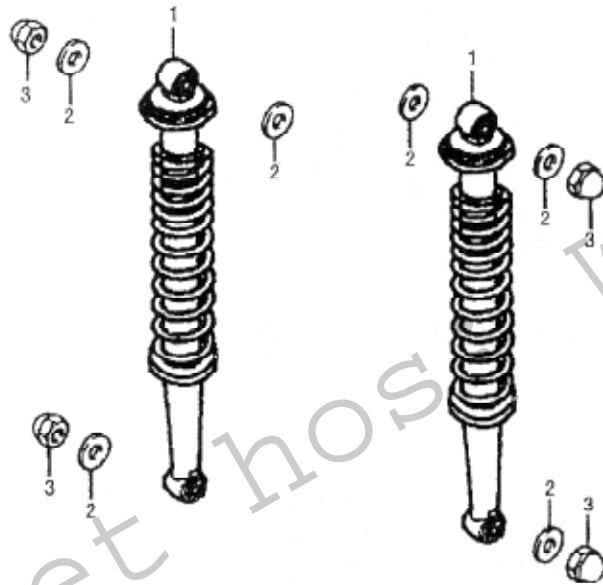
ST50-8 ST50-8A ST110-8 ST110-8A

PARTS CATALOGUE — VEHICLE

SHOCK ABSORBER

FIG.22

序号	件号	英文名称	中文名称	数量
1	62100-15A00	SHOCK ABSORBER, REAR	后减震器总成	2
2	09160-10001	WASHER	垫圈	6
3	GB923-88 M10 x 1.25-Cr	NUT	盖形螺母	4





SKYTEAM

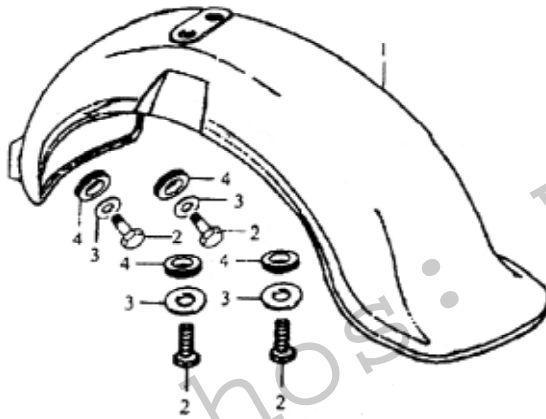
ST50-8 ST50-8A ST110-8 ST110-8A

PARTS CATALOGUE — VEHICLE

FENDER REAR

FIG.23

序号	件号	英文名称	中文名称	数量
1	63511-15A00	FENDER, REAR	后挡泥板	1
2	63641-15A00	BOLT	螺栓	4
3	GB97.1-85 8-140HV-Zn.DC	WASHER	垫圈	4
4	63621-15A00	RUBBER PAD	橡胶垫	4





SKYTEAM

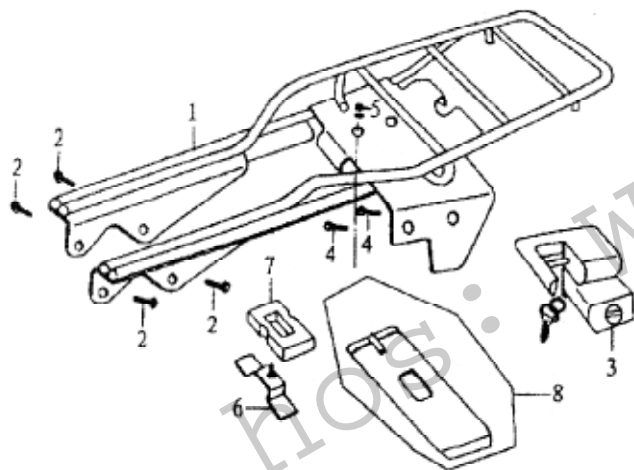
ST50-8 ST50-8A ST110-8 ST110-8A

PARTS CATALOGUE — VEHICLE

CARRIER

FIG.24

序号	件号	英文名称	中文名称	数量
1	46300-15A00	CARRIER, REAR	后架组件	1
2	GB5787-86 M8 x 16-Cr	BOLT	螺栓	4
3	37600-15A00	LOCK, HELMET	头盔锁	1
4	GB818-85 M6 x 10-Zn.DC	SCREW	螺钉	2
5	GB923-88 M6-Zn.DJ	NUT	螺母	1
6	46820-15A00	PLATE COMP, TOOL	工具箱吊装组件	1
7	46802-15A00	CUSHION	减震垫	1
8	46830-15A00	HOLDER, TOOL	工具箱组件	1





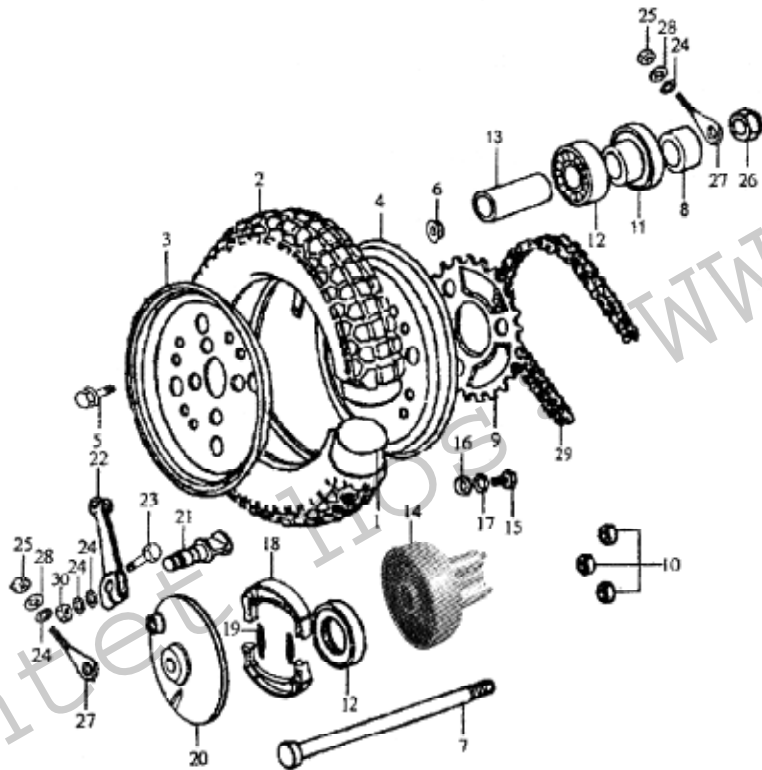
SKYTEAM

ST50-8 ST50-8A ST110-8 ST110-8A

PARTS CATALOGUE — VEHICLE

REAR WHEEL

FIG.25



序号	件号	英文名称	中文名称	数量
1	55200-15A00	TUBE, INNER	内胎	1
2	55100-15A00	TIRE	外胎	1
3	55302-15A00	RIM, WHEEL, LH	轮辋左件	1
4	55301-15A00	RIM, WHEEL, RH	轮辋右件	1
5	GB5787-86 M8 x 12-Zn.DJ	BOLT	螺栓	8
6	08319-31083	NUT	螺母	8
7	64711-15A00	REAR AXLE	后轮轴	1
8	64712-15A00	BUSHING	衬套	1
9	64511-15A00	SPROCKET, REAR(ST50-8, ST50-8A)	大链轮 (Z=40)	1
9-1	64511-15G00	SPROCKET, REAR(ST110-8, ST110-8A)	大链轮 (Z=37)	1
10	08319-31083	NUT	螺母	3
11	64720-15A00	OIL SEAL	油封组件	1
12	60201 GB278-82	BEARING	轴承	2
13	64210-15A00	BUSHING	衬套组件	1
14	64100-15A00	HUB, REAR	后轮毂组件	1
15	GB5783-86 M8 x 18-Zn.DJ	BOLT	螺栓	4
16	GB97.1-85 8-140HV-Zn.DJ	WASHER	垫圈	4
17	GB93-87 8-Zn.DJ	SPRING WASHER	弹簧垫圈	4
18	54400-15A00	SHOE, BRAKE	制动蹄块组件	2
19	09443-15A00	SPRING	制动弹簧	2
20	54210-15A00	PANEL	毂盖组件	1
21	54441-15A00	BRAKE CAM	制动凸轮	1
22	64411-15A00	LEVER, BRAKE CAM	制动摇臂	1
23	GB5782-86 M6 x 35-Zn.DJ	BOLT	螺栓	1
24	GB96-85 6-140HV-Zn.DJ	WASHER	垫圈	4
25	GB6170-86 M6-8-Zn.DJ	NUT	螺母	2
26	08319-31128	NUT	螺母	1
27	61411-15A00	ADJUSTER	轮距调整接头	2
28	GB859-87 6-Zn.DJ	SPRING WASHER	弹簧垫圈	2
29	08MA-80 GB/T14212-93	CHAIN(ST50-8, ST50-8A)	链条	1
29-1	08MA-78 GB/T14212-93	CHAIN(ST110-8, ST110-8A)	链条	1
30	GB6170-86 M6-Zn.DJ	NUT	螺母	1



SKYTEAM

ST50-8 ST50-8A ST110-8 ST110-8A

PARTS CATALOGUE — VEHICLE

KIT

FIG.26

序号	件号	英文名称	中文名称	数量
1	09800-15A00	TOOL KITS	工具总成	1
2	09801-15A00	BAG	工具袋	1

