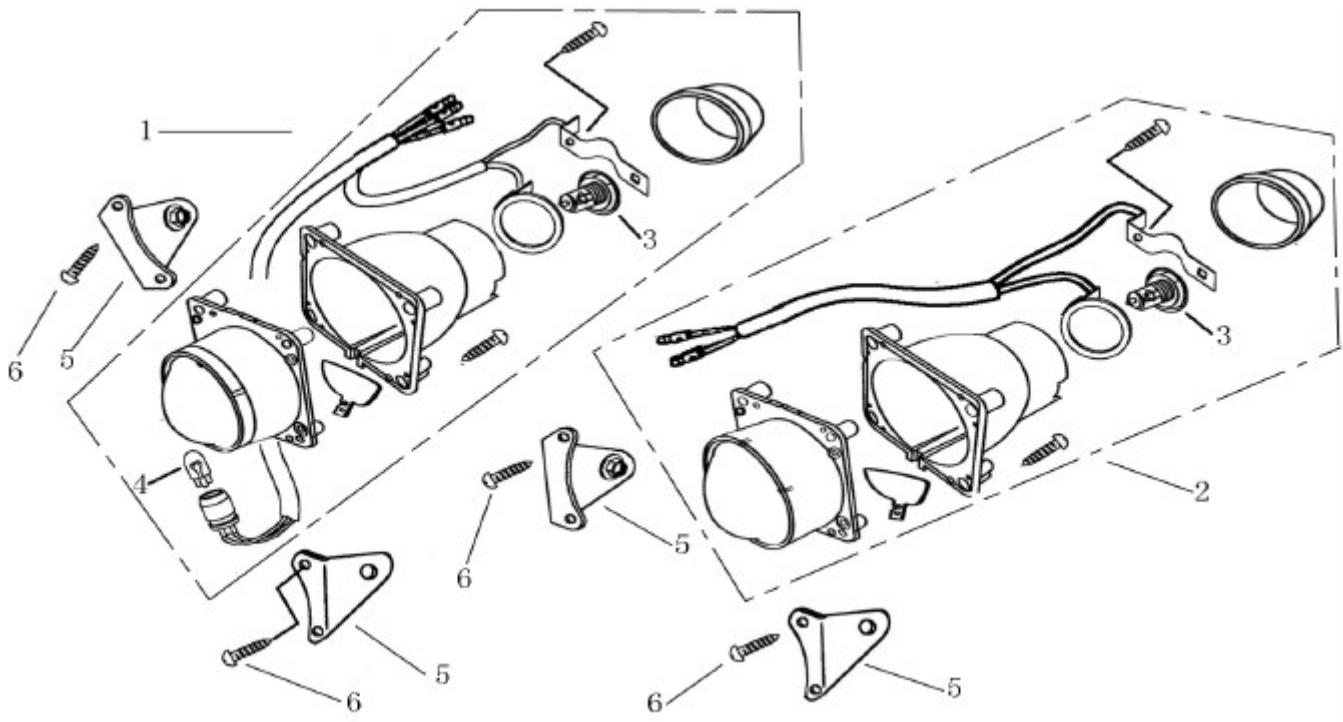
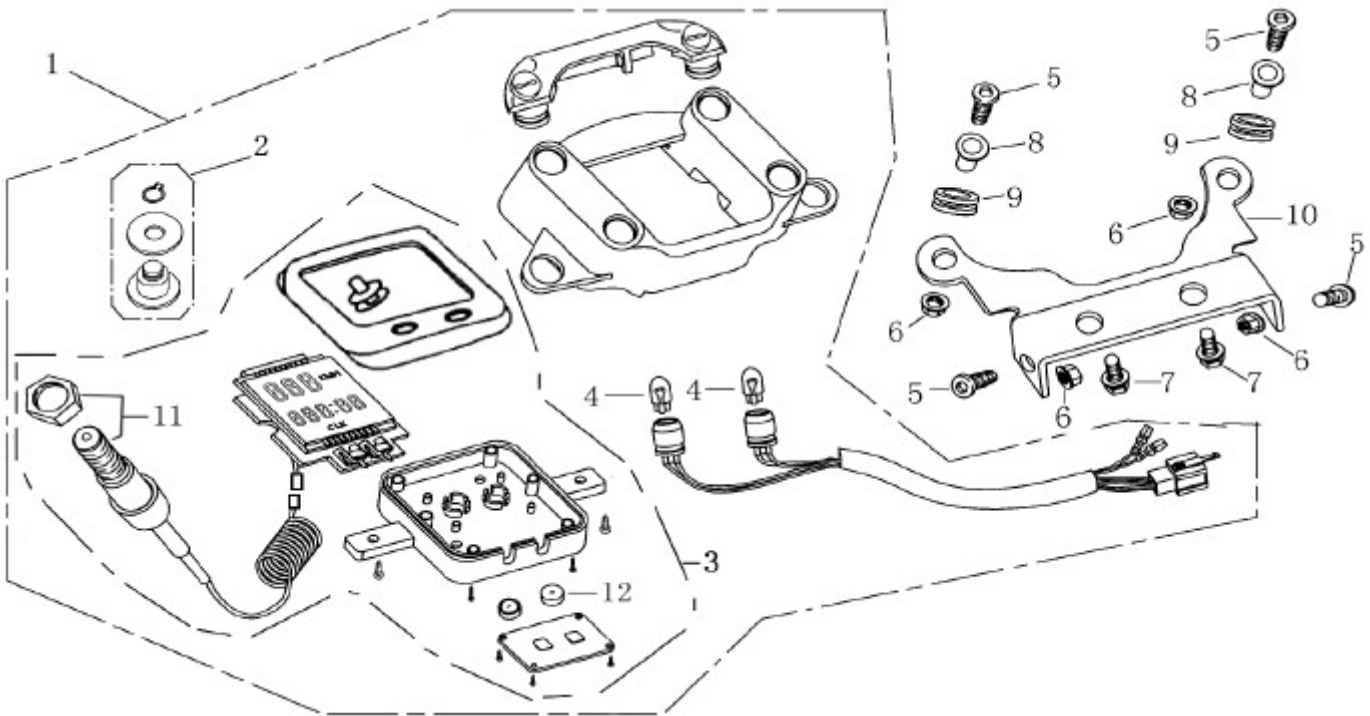


F-1
Headlamp Assy



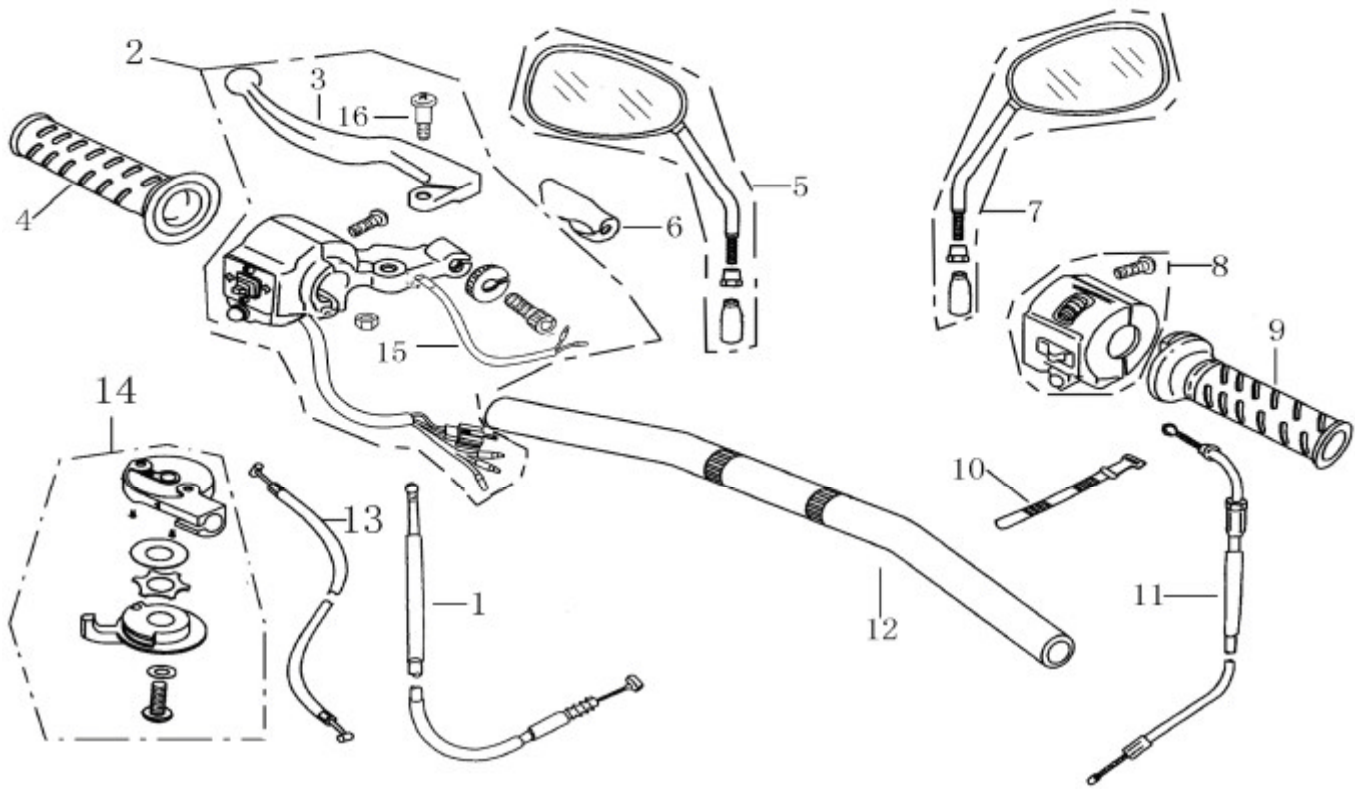
Ref. No.	Sachs Part No.	Description	QTY
1	P4064905001001360	Headlamp(Uper)	1
2	P4064905001001370	Headlamp(Lower)	1
3	N120077260190	Bulb,Headlamp(12V/15W)	2
4	P4064905001001490	Bulb,Position light	1
5	P4064905001001480	Mounting Bracket,Headlamp	4
6	P4064905001001380	Tapping Screw	8

F-2
Speedometer Assy



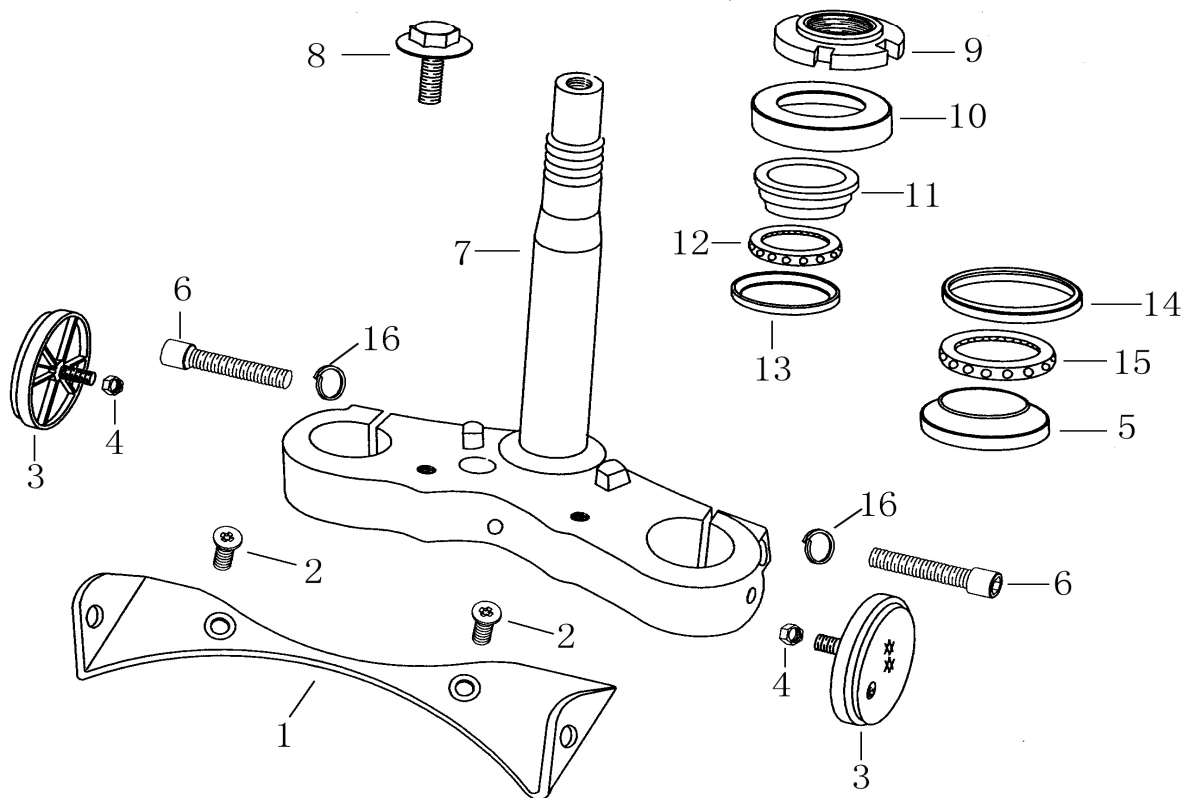
Ref. No.	Sachs Part No.	Description	QTY
1	P4064905001003250	Meter Assy(new)	1
2	P4064905001003260	Magnet Comp	1
3	P4064905001003280	Electronic Speedometer	1
4	P4064905001003360	Bulb(12V/3W)	2
5	P4064905001004140	Inner Hexagon Bolt M6*25	2
6	P4064905001004150	Lock nut M6	4
7	P4064905001004160	Bolt with washer M8*16	2
8	P4064905001002140	Bush f 6	2
9	P4064905001004180	Rubber Ring	2
10	P4064905001004190	Mounting Bracket,Meter	1
11	P4064905001003310	Influence Cable,Electronic Speedometer	1
12	P4064905001003310	Battery	2

F-3
Handle Bar



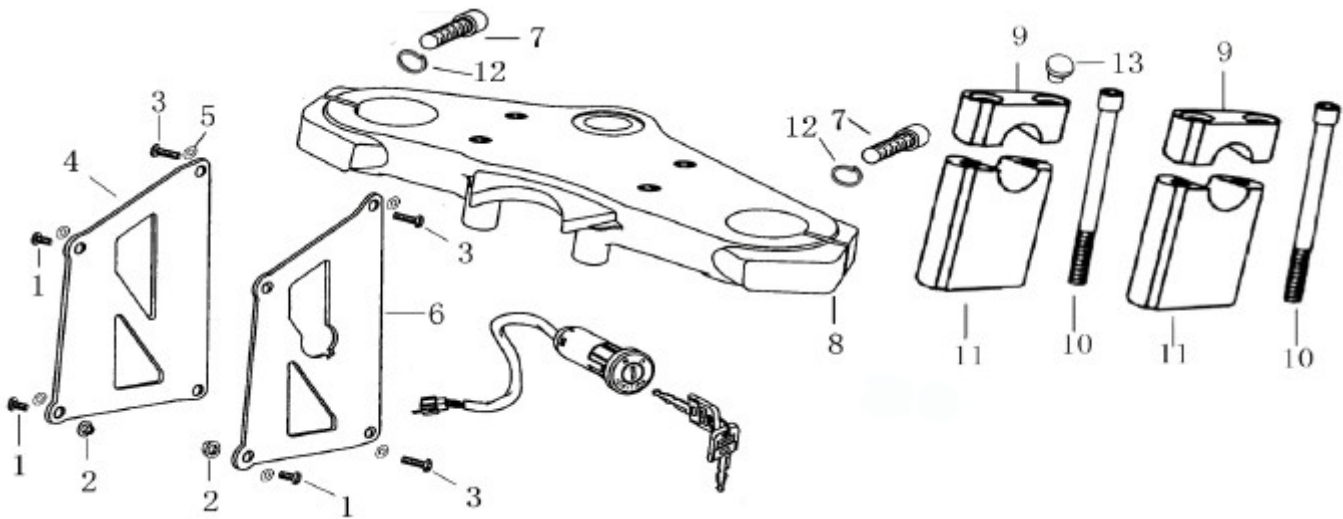
Ref. No.	Sachs Part No.	Description	QTY
1	P4064905001003420	Clutch Cable Comp	1
2	P4064905001003430	Handle Bar Switch Assy(Left)new	1
3	P4064905001003490	Clutch Handle	1
4	P4064905001003510	Rubber Sheath,Left Handlebar	1
5	P4064905001003530	Review Mirror Assy(Left/Black)	1
6	P4064905001003520	Rubber Sheath,Left Clutch Handle	1
7	P4064905001003540	Review Mirror Assy(Right/Black)	1
8	P4064905001003550	Handlebar Switch Assy (Right)new	1
9	P4064905001003570	Throttle Turning Grip Comp	1
10	P4064905001003560	Band	2
11	P4064905001003580	Throttle Cable	1
12	P4064905001004200	Steering Bar(Dark Black)	1
13	P4064905001004410	Choke Calbe	1
14	P4064905001004420	Control Handle Comp,Choke Cable	1
15	P4064905001003435	Clutch Switch	1
16	P4064905001003500	Fixing Bolt,Clutch Handle	1

F-4
Steering Pole



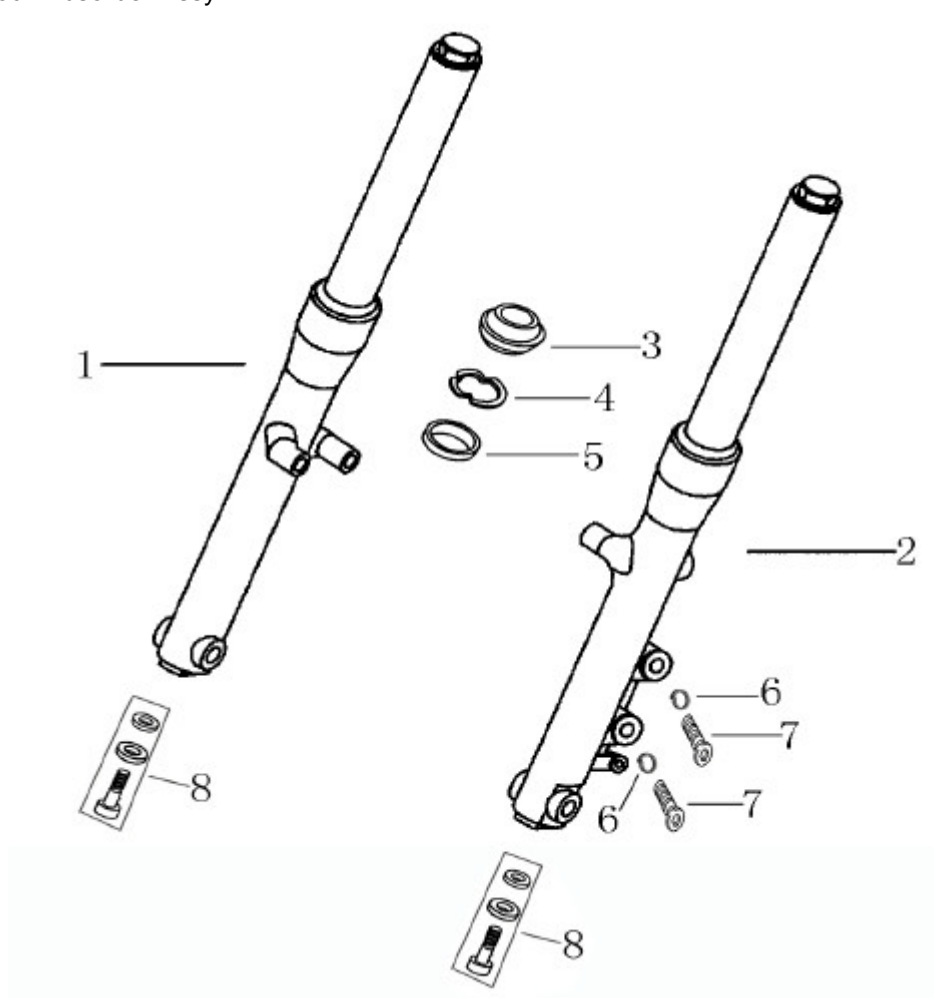
Ref. No.	Sachs Part No.	Description	QTY
1	P4064905001004250	Lower Bracket,Headlamp	1
2	P4064905001004260	Lower Bracket,Headlamp	2
3	P4064905001004270	Side Reflector	2
4	P4064905001004280	Hexagon Nut M6	2
5	P4064905001002370	Lower Steel Plate	1
6	P4064905001004300	Inner Hexagon Bolt M10*45	2
7	P4064905001004310	Steering Pole(With Lower Steel Plate,Silver)	1
8	P4064905001002290	Bolt	1
9	P4064905001004330	Locknut	1
10	P4064905001002310	Dustproof Cover	1
11	P4064905001004350	Uper Steel Plate	1
12	P4064905001002330	Uper Steel Ball Assy	1
13	P4064905001002340	Uper Steel Bowl	1
14	P4064905001002350	Lower Steel Bowl	1
15	P4064905001002360	Lower Steel Ball Assy	1
16	P4064905001004290	Spring Washer f 10	2

F-5
Uper Connector



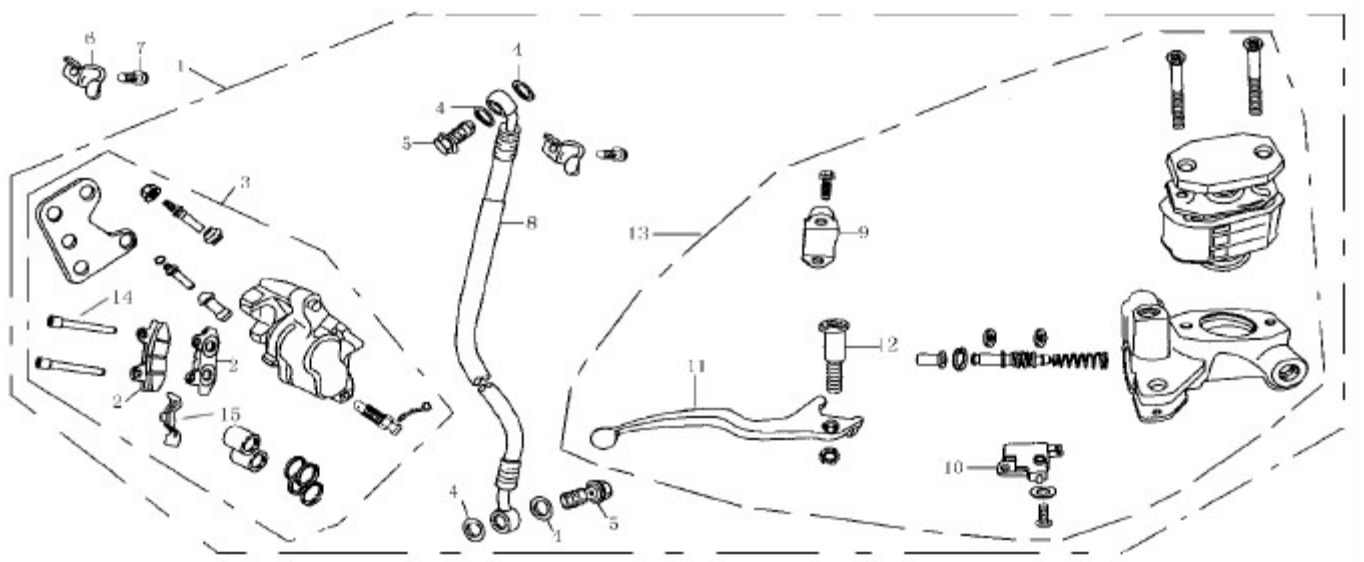
Ref. No.	Sachs Part No.	Description	QTY
1	P4064905001002380	Inner Hexagon Bolt M6*14	4
2	P4064905001004150	Lock Nut M6	8
3	P4064905001004140	Inner Hexagon Bolt M6*16	4
4	P4064905001002410	Right Bracket,Headlamp	1
5	P4064905001002420	Washer F 6	8
6	P4064905001002430	Left Bracket,Headlamp	1
7	P4064905001002460	Inner Hexagon Bolt M8*35	2
8	P4064905001002470	Uper Connector	1
9	P4064905001002490	Uper Holder,Steering Bar(new)	2
10	P4064905001002500	Inner Hexagon Bolt M8*105	4
11	P4064905001002480	Lower Holder,Steering Bar(new)	2
12	P4064905001002465	Spring Washerf 8	2
13	P4064905001002505	plastic cap	4

F-6
Front Shock Absorber Assy



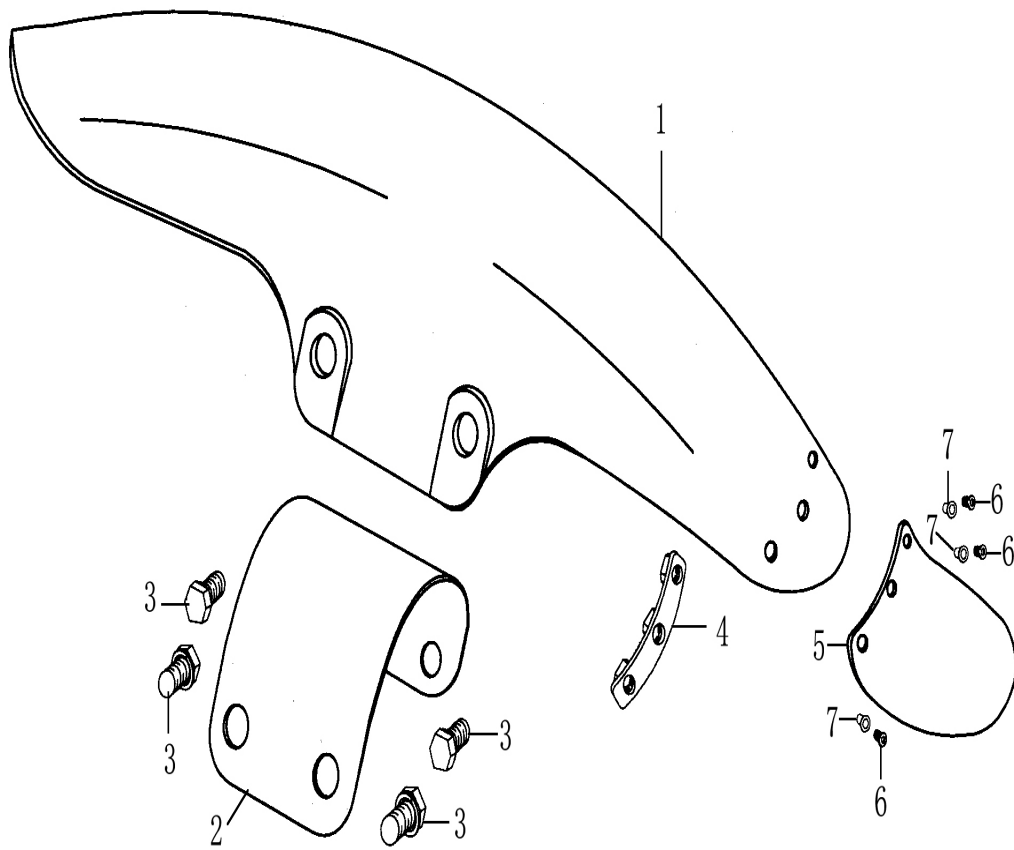
Ref. No.	Sachs Part No.	Description	QTY
1	P4064905001002510	Front Shock Absorber Assy(Right)	1
2	P4064905001002520	Front Shock Absorber Assy(Left)	1
3	P4064905001004010	Dustproof Sheath,Shock Absorber	2
4	P4064905001004120	Check Ring	2
5	P4064905001004115	Seal Comp,Front Shock Absorber	2
6	N102120012503	Spring Washerf 10	2
7	N101030091233	Inner Hexagon Bolt M10*30*1.25	2
8	P4064905001004110	Seal Gasket, SPECIAL, 8MM	2

Front Disc Brake Assy



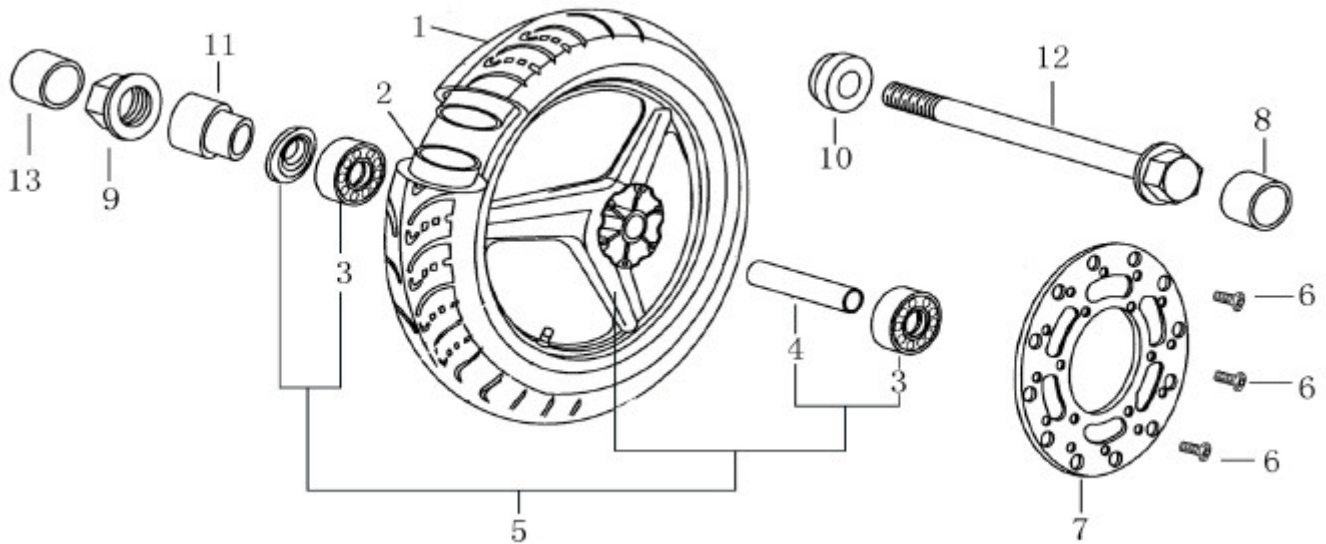
Ref. No.	Sachs Part No.	Description	QTY
1	P4064905001002530	Front Disc Brake Assy (Red,new)	1
	P4064905001002540	Front Disc Brake Assy (Dark Black,new)	1
2	P4064905001002640	Disc Brake Shoe Comp	2
3	P4064905001003610	Mounting Bracket(Red)	1
	P4064905001003615	Mounting Bracket(Black)	1
4	P4064905001002680	Washer	4
5	P4064905001002690	Bolt With Hole	2
6	P4064905001003630	Grip,Disc Brake Tube	1
7	P4064905001004340	Combination Bolt M6*12	1
8	P4064905001003650	Disc Brake Tube Assy (Typ Rubber)	1
8	P4064905001003655	Disc Brake Tube Assy (Typ INOX)	1
9	P4064905001003690	Fixing Block	1
10	P4064905001003770	Front Brake Switch Assy	1
11	P4064905001003730	Front Brake Handle	1
12	P4064905001003501	Fixing Bolt,Front Brake Handle	1
13	P4064905001003620	Master Cylinder,Disc Brake	1
14	P4064905001002630	BOLT,BRAKE PAD	2
15	P4064905001002650	PLATE STRETCH	1

F-8
Front Fender



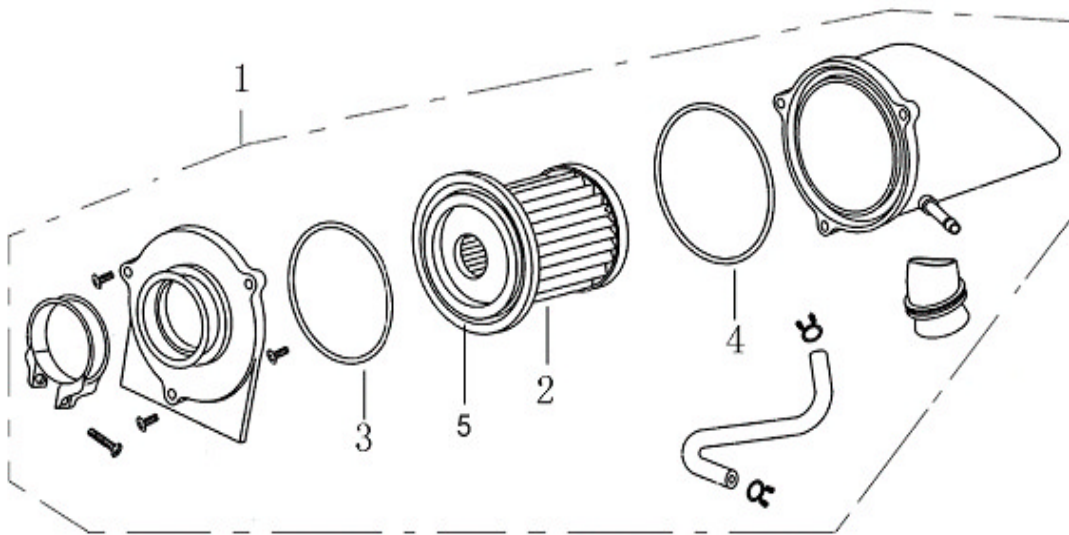
Ref. No.	Sachs Part No.	Description	Q'TY
1	P4064905001002700	Front Fender(Silver)	1
	P4064905001002710	Front Fender(Dark Black)	1
2	P4064905001002720	Bracke of Front Fender	1
3	P4064905001002730	Combination Bolt M8*14	4
4	P4064905001002740	Bracket of Front Flashing	1
5	P4064905001002750	Front Flashing	1
6	P4064905001002760	Pan Bolt M5*12	3
7	P4064905001002770	Ringer	3

F-9
Front Wheel



Ref. No.	Sachs Part No.	Description	Q'TY
1	P4064905001002780	Outer Tire,Front Wheel	1
2	P4064905001002790	Inner Tire,Front Wheel	1
3	P4064905001002800	Bearing 6202-2RS	2
4	P4064905001002810	Bearing Spacer,Front Wheel	1
5	P4064905001002820	Front Rim Assy (Silver)	1
5	P4064905001002830	Front Rim Assy (Dark Black)	1
6	P4064905001002840	Bolt M6*20	6
7	P4064905001002850	Front Brake Plate	1
8	P4064905001002895	Left Rubber Sheath,Front Axle	1
9	P4064905001002870	Lock Nut M14	1
10	P4064905001002880	Left Bush,Front Wheel	1
11	P4064905001002890	Right Bush,Front Wheel	1
12	P4064905001002900	Front Axle(with Nut)	1
13	P4064905001002995	Right Rubber Sheath,Front Axle	1

F-10
Air Filter Assy



Ref. No.	Sachs Part No.	Description	Q'TY
1	P4064905001000150	Air Filter Assy	1
2	P4064905001000170	Filter Element Comp(with seal ring)	1
3	P4064905001000190	Seal Washer 1,Air Filter	
4	P4064905001004440	Seal Washer 2,Air Filter	1
5	P4064905001000155	Air Filter Plate	

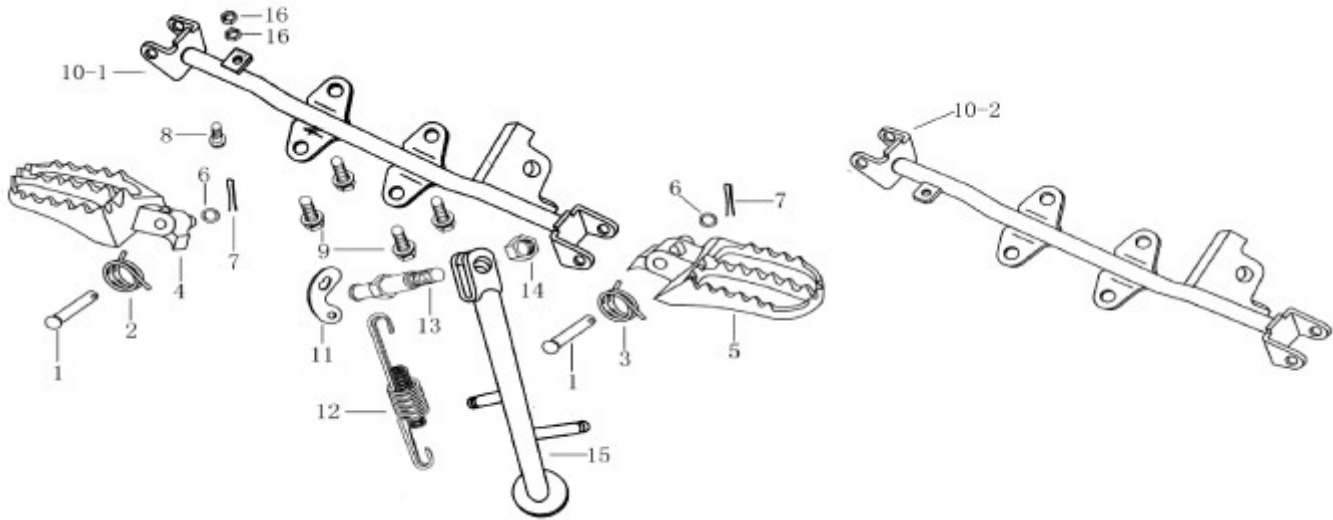
F-11

Footrest

Von diesen Fahrgestellnummern an wurde die neue Fußratse verwendet:

WSF 649 A10 5 0006 000 - fortlaufend schwarz

WSF 649 A10 5 0006 500 - fortlaufend silber



Ref. No.	Sachs Part No.	Description	QTY
1	P4064905001000260	Front Pedal Pin	2
2	P4064905001000270	Front Pedal Spring (Right)	1
3	P4064905001000280	Front Pedal Spring (Left)	1
4	P4064905001000290	Front Pedal (Right.Dark Black)	1
5	P4064905001000300	Front Pedal (Left.Dark Black)	1
6	P4064905001002420	Flat Washer 6	2
7	P4064905001000320	Cotter Pin f 2.0x2.0	2
8	N061090093333	Hexagon Bolt M6*20	1
9	P4064905001000340	Combination Bolt M8*20	4
10-1	P4064905001000350	Footrest (Dark Black,old)	1
10-2	P4064905001000355	Footrest (Dark Black,new)	1
11	P4064905001000360	Spring Hanger,Side Stand	1
12	P4064905001000370	Side Stand Spring (Double)	1
13	P4064905001000380	Side Stand Bolt (Color Zinc)	1
14	P4064905001000390	Hexagon NutM10*1.25	1
15	P4064905001000400	Side Stand(Dark Black)	1
16	P4064905001004280	Hexagon Nut M6	2

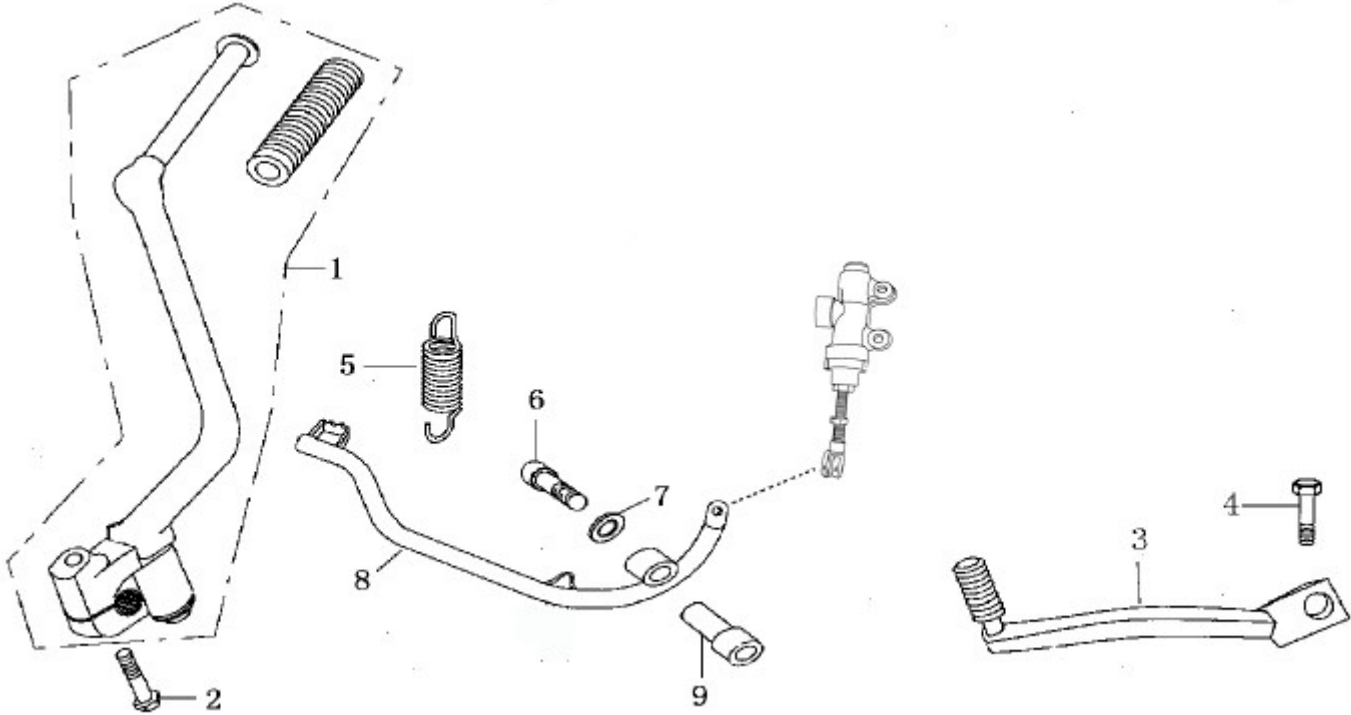
F-12-1

Rear Brake Pedal

Von diesen Fahrgestellnummern an wurde der neue Bremshebel verwendet:

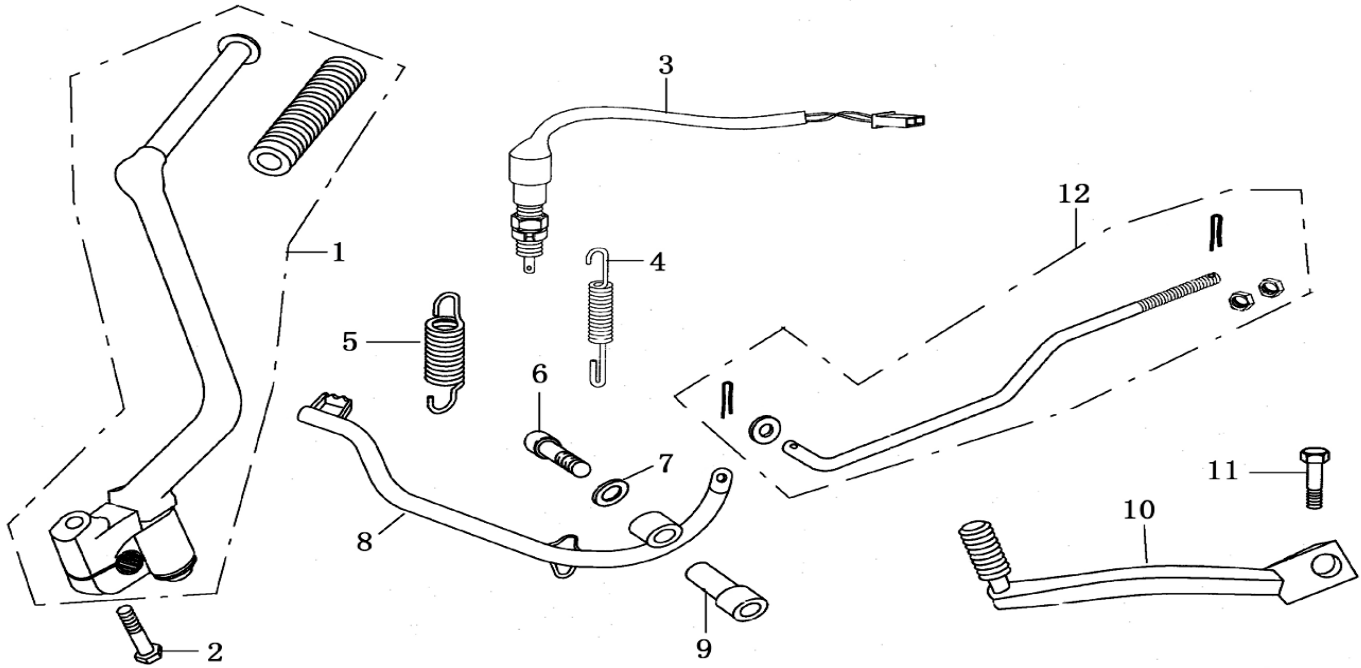
WSF 649 A10 5 0006 000 - fortlaufend schwarz

WSF 649 A10 5 0006 500 - fortlaufend silber



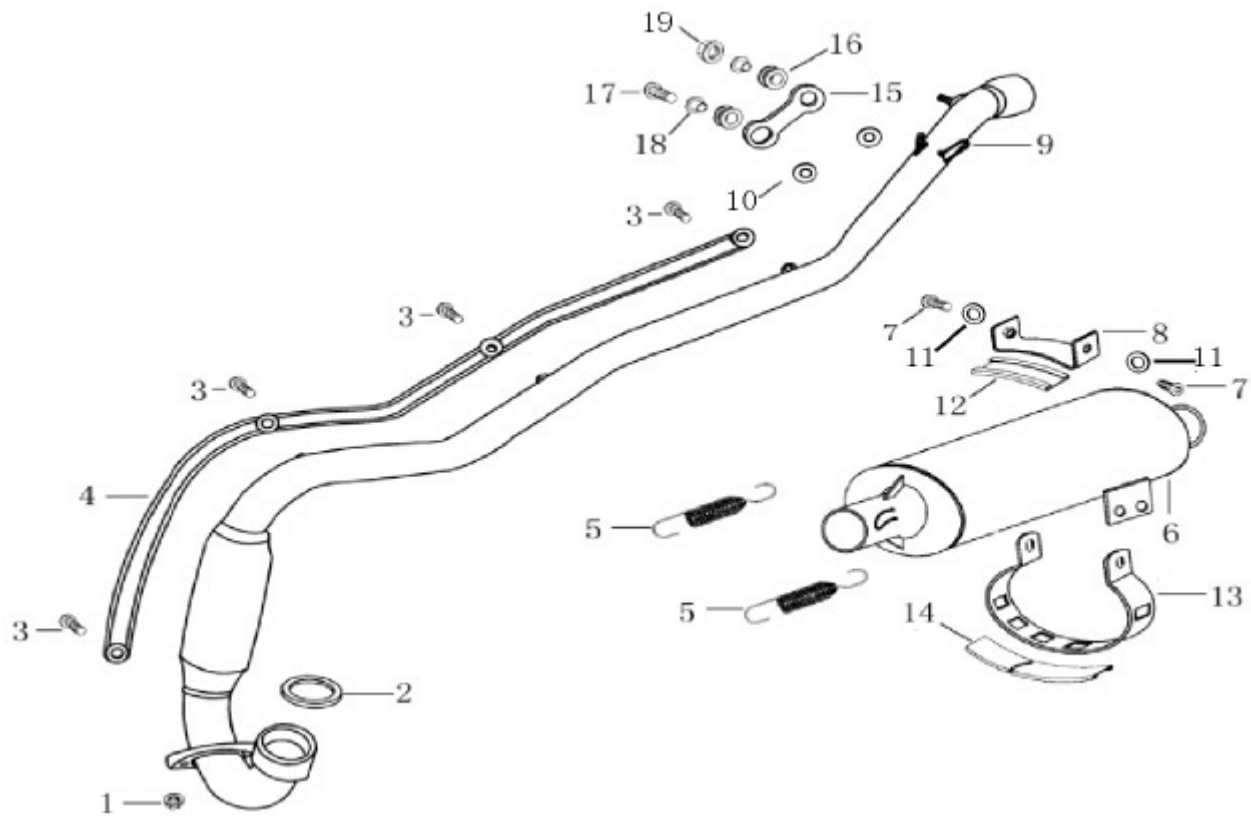
Ref. No.	Sachs Part No.	Description	QTY
1	P4064905001000410	Starting Lever Assy	1
2	P4064905001000420	Hexagon Bolt M8*40	1
3	P4064905001000500	Change Lever	1
4	P4064905001000510	Hexagon Bolt M6*20	1
5	P4064905001000450	Rear Brake Pedal Spring	1
6	P4064905001000460	Inner Hexagon Bolt M8*65	1
7	P4064905001000470	Flat Washer	1
8	P4064905001000485	Rear Brake Pedal(new)	1
9	P4064905001000490	Bush,Rear Brake Pedal	1

F-12-2
Rear Brake Pedal



Ref. No.	Sachs Part No.	Description	QTY
1	P4064905001000410	Starting Lever Assy	1
2	P4064905001000420	Hexagon Bolt M8*40	1
3	P4064905001000430	Switch,Rear Brake	1
4	P4064905001000440	Spring,Rear Brake Switch	1
5	P4064905001000450	Spring,Rear Brake Pedal	1
6	P4064905001000460	Inner Hexagon Bolt M8*65	1
7	P4064905001000470	Flat Washer	1
8	P4064905001000480	Rear Brake Pedal(old)	1
9	P4064905001000490	Bush,Rear Brake Pedal	1
10	P4064905001000500	Change Lever	1
11	P4064905001000510	Hexagon Bolt M6*20	1
12	P4064905001000520	Pull Staff,Rear Brake	1

F-13
Exhaust Pipe



Ref. No.	Sachs Part No.	Description	Q'TY
1	P4064905001004150	Lock Nut M6	2
2	P4064905001000590	Seal Gasket,Exhaust Pipe	1
3	P4064905001000600	Inner Hexagon Bolt M6x8	4
4	P4064905001000610	Protecting Plate,Exhaust Pipe(f 3)	1
5	P4064905001000620	Spring,Exhaust Pipe	2
6	P4064905001000630	Rearward,Muffler(Accelerant,Dark Black)	1
7	P4064905001002840	Inner Hexagon Bolt M6x20	2
8	P4064905001004450	Mounting Bracket	1
9	P4064905001000660	Exhaust Pipe(old)	1
10	P4064905001004500	Flat Washer f 6	1
11	P4064905001002420	Flat Washer f 6	2
12	P4064905001004460	Rubber	1
13	P4064905001004470	exhaust pipe clamp	1
14	P4064905001004480	Rubber	1
15	P4064905001004490	Connector Pad,Exhaust Pipe(with f 3 protecting	1
16	P4064905001004180	Rubber	2
17	P4064905001004505	Flange Bolt M6x16	1
18	P4064905001002140	Large Washer 6	2
19	P4064905001004150	Lock Nut M6	1

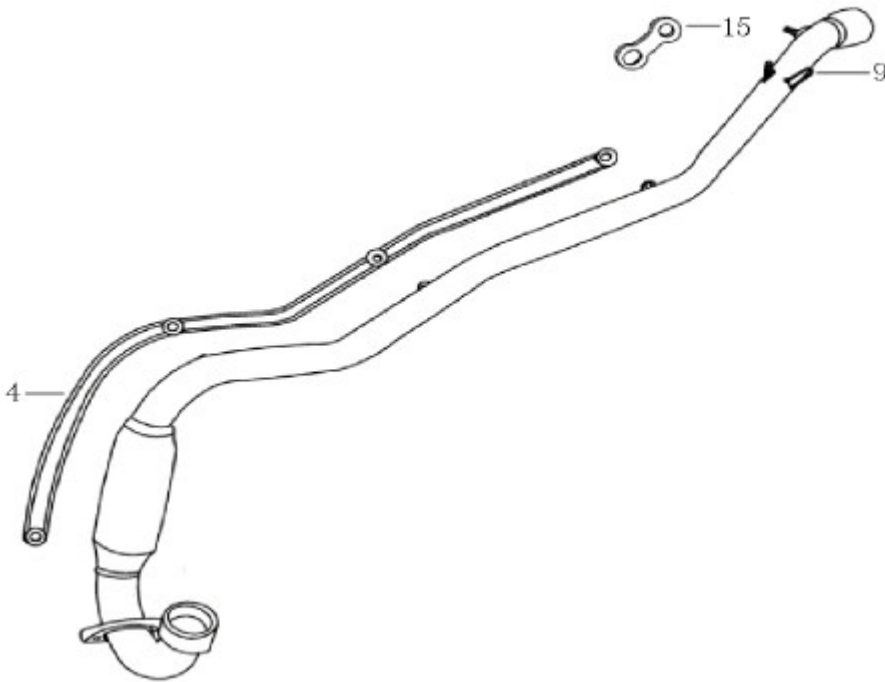
F-13

Exhaust Pipe

Von diesen Fahrgestellnummern an wurde das neue Auspuffrohr verwendet:

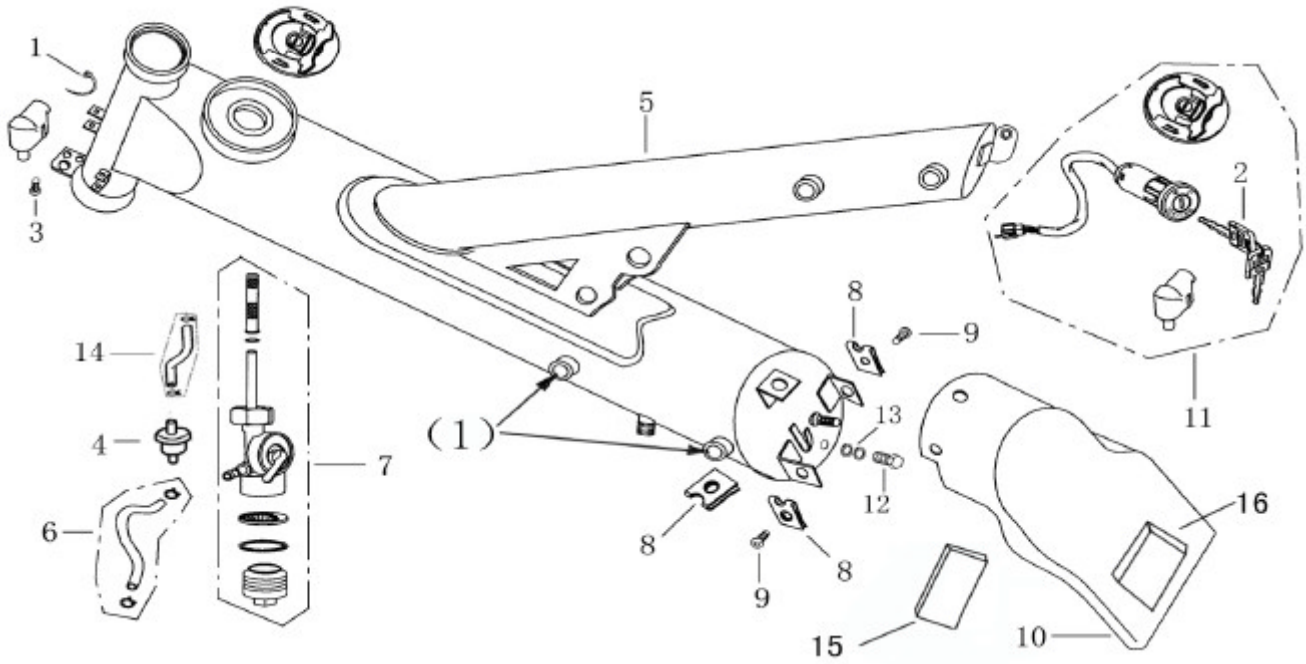
WSF 649 A10 5 0006 000 - fortlaufend schwarz

WSF 649 A10 5 0006 500 - fortlaufend silber



Ref. No.	Sachs Part No.	Description	Q'TY
4	P4064905001000615	Protecting Plate,Exhaust Pipe f 4,new	1
9	P4064905001000665	Exhaust Pipe (new)	1
15	P4064905001004495	Connector Pad,Exhaust Pipe(with f 4 protecting	1

F-14
Frame Assy



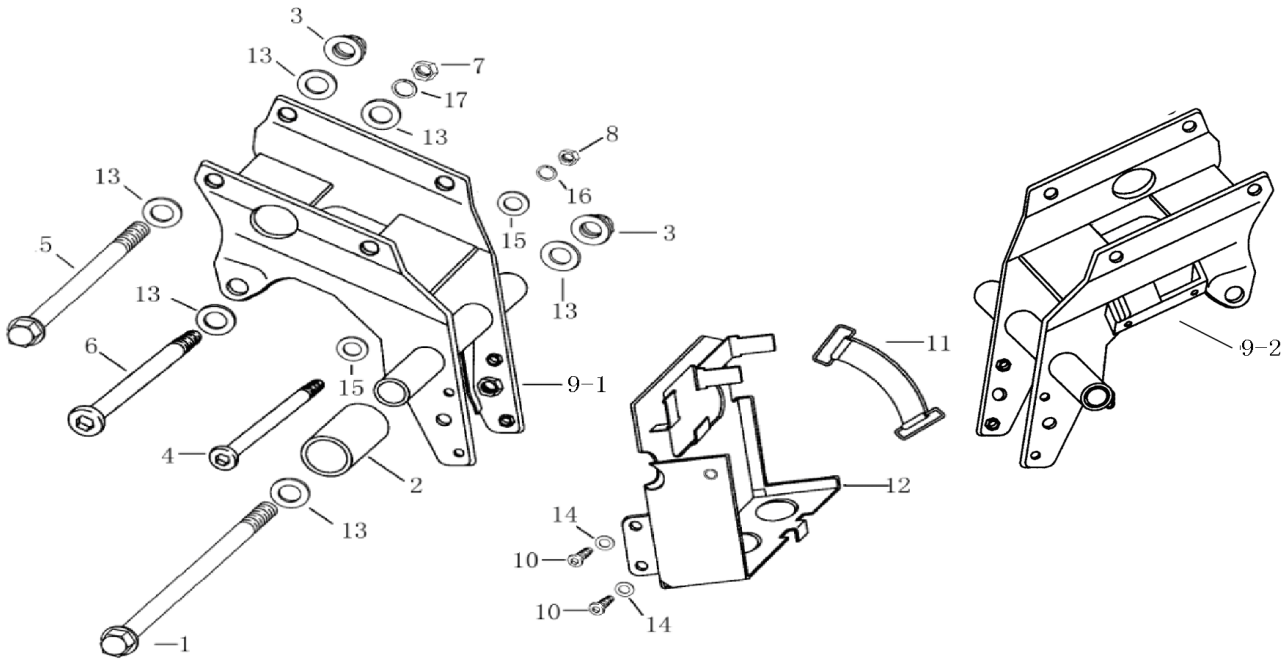
Ref. No.	Sachs Part No.	Description	QTY
1	P4064905001000670	Band	11
2	P4064905001002450	Key	1
3	P4064905001000690	Screw M5*14	2
4	P4064905001000755	Gas Filter	1
5	P4064905001000730	Frame (Silver,new.2-f 10)	1
5	P4064905001000740	Frame (Dark Black,new.2-f 10)	1
6	P4064905001000750	Oil Tube(160mm)	1
7	P4064905001000760	Cock Switch	1
8	P009279916809000	Clip Nut M6	3
9	P4064905001002385	Step Bolt M6x14	3
10	P4064905001000790	Cover,Battery(old)	1
10	P4064905001000791	Cover,Battery(new)	1
11	P4064905001000800	Lock Set(Red)	1
11	P4064905001000810	Lock Set(Black)	1
12	N060040093337	Hexagon Bolt M6x8	1
13	P4064905001000805	Seal Washer	2
14	P4064905001000815	Oil Tube(60mm)	1
15	P4064905001000795	Bubber 1	1
16	P4064905001000796	Bubber 2	1

Engine Hanger

Von diesen Fahrgestellnummern an wurde der neue Motorhalter verwendet:

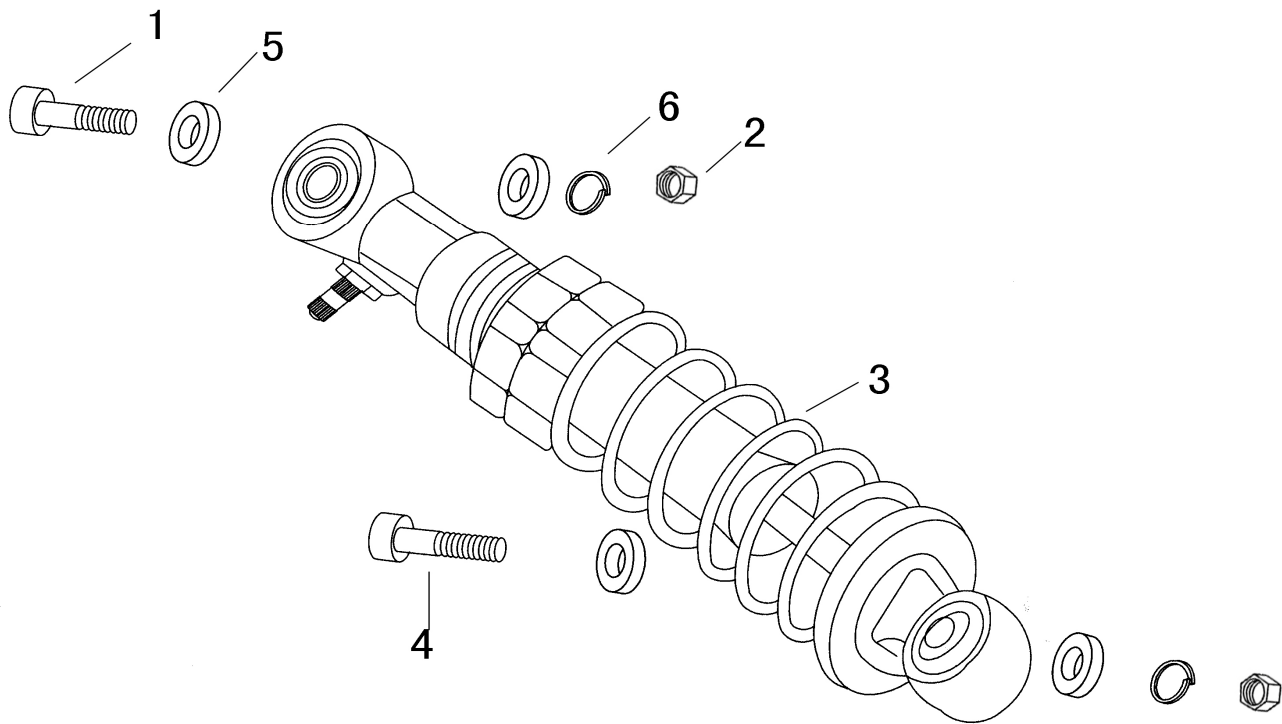
WSF 649 A10 5 0006 000 - fortlaufend schwarz

WSF 649 A10 5 0006 500 - fortlaufend silber



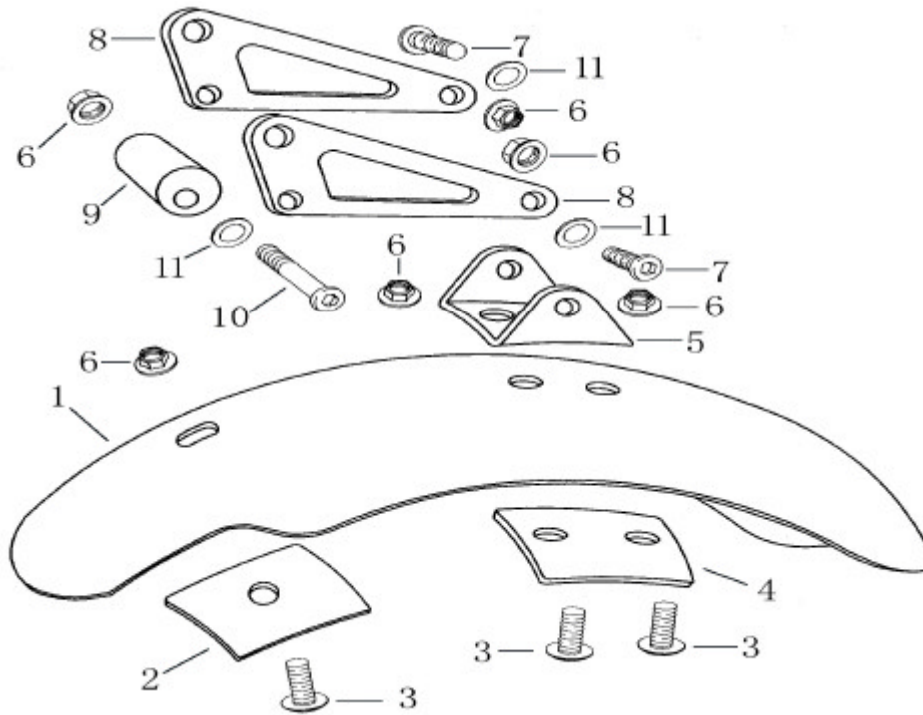
Ref. No.	Sachs Part No.	Description	QTY
1	P4064905001004390	Axle,Rear Swing Arm M10x1.25x265	1
2	P4064905001004510	Rubber Tube 17*40	1
3	P4064905001004520	Lock Nut M10x1.25	2
4	P4064905001002500	Inner Hexagon Bolt M8x105	1
5	P4064905001004152	Flange Bolt M10x1.25x160	2
6	P4064905001000870	Inner Hexagon Bolt M10x115x1.25	1
7	P4064905001000390	Hexagon Nut M10x1.25	1
8	P4064905001000890	Hexagon Nut M8	1
9-1	P4064905001000900	Hanger,Engine(Dark Black,old)	1
9-2	P4064905001000905	Hanger,Engine(Dark Black,new)	1
10	P4064905001002380	Inner Hexagon Bolt M6x14	4
11	P4064905001000920	Band,Battery	1
12	P4064905001000935	Box,Battery(new)	1
	P4064905001000930	Box,Battery(old)	1
13	P4064905001004370	Flat WasherF 10	7
14	P4064905001002420	Flat WasherF 6	4
15	P4064905001002425	Flat WasherF 8	2
16	P4064905001002465	Spring Washer F 8	1
17	P4064905001004290	Spring Washer F 10	1

F-16
Rear Shock Absorber Assy



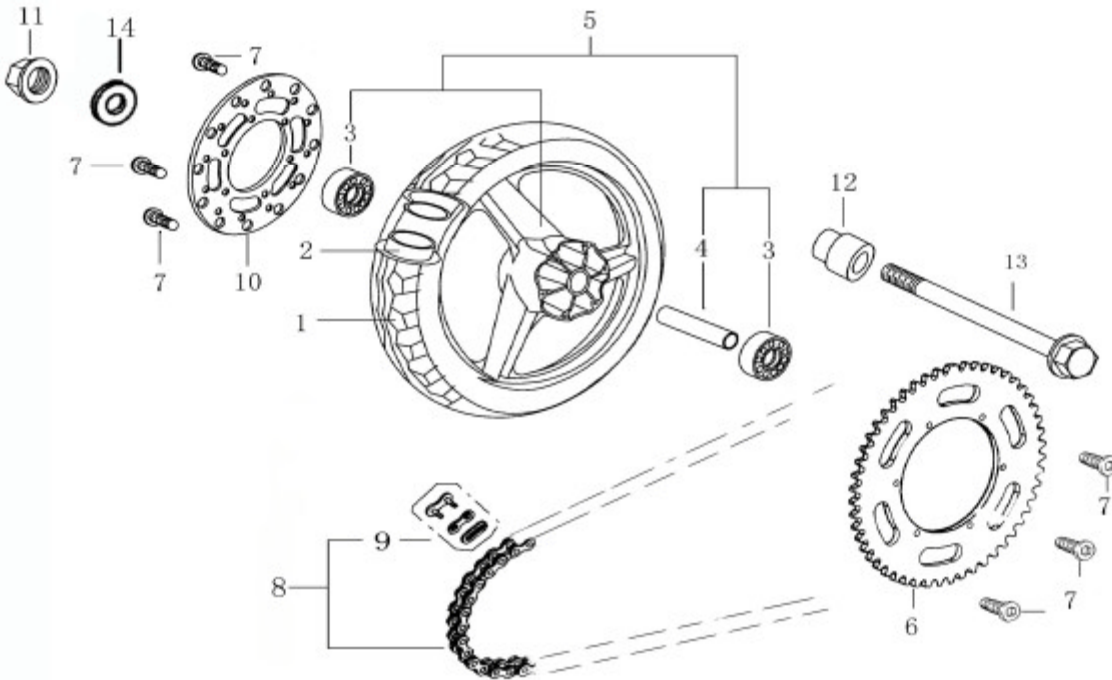
Ref. No.	Sachs Part No.	Description	QTY
1	P4064905001001060	Bolt M10*45*1.25	1
2	P4064905001000390	Hexagon Nut M10*1.25	1
3	P4064905001004550	Rear Shock Absorber Assy(Red,new)	1
3	P4064905001004540	Rear Shock Absorber Assy(Black,new)	1
4	P4064905001001050	Bolt M10*50*1.25	1
5	P4064905001004370	Flat Washer f 10	4
6	P4064905001004290	Spring Washer f 10	2

F-17
Rear Fender



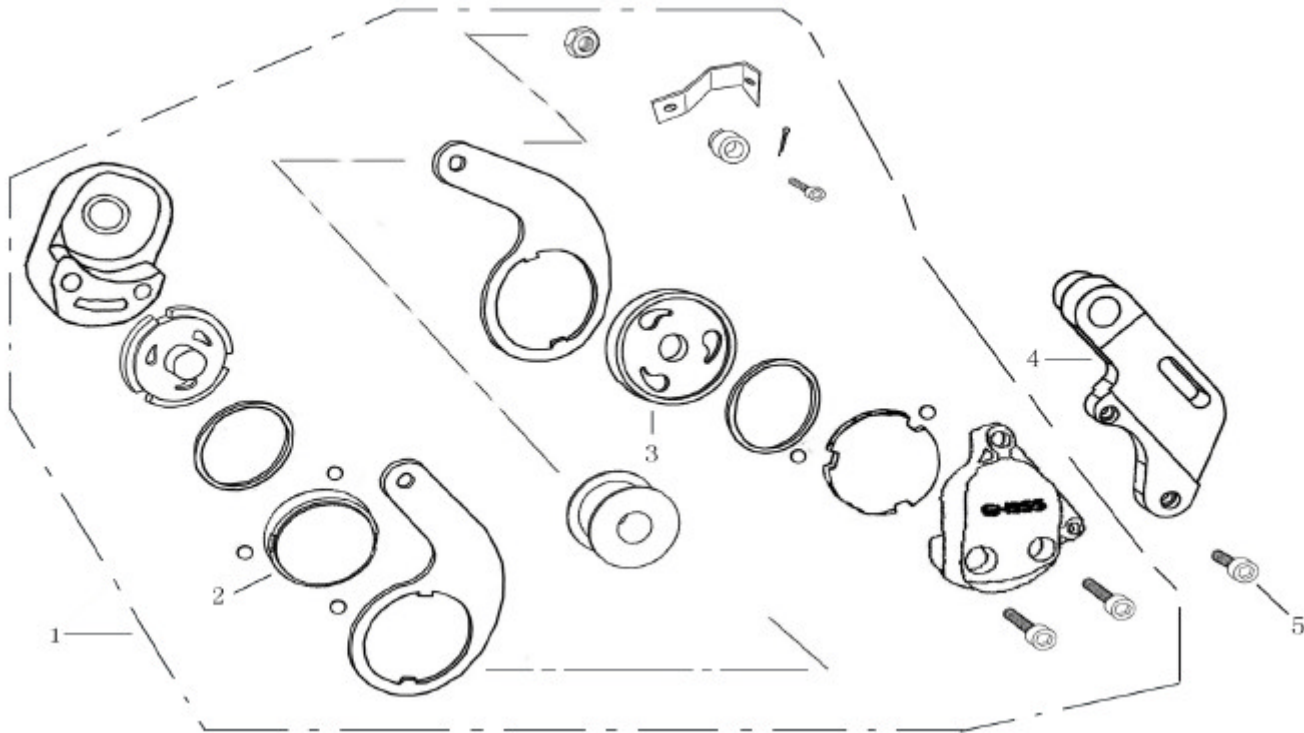
Ref. No.	Sachs Part No.	Description	QTY
1	P4064905001001080	Rear Fender (Silver)	1
	P4064905001001090	Rear Fender (Dark black)	1
2	P4064905001001100	Bracket A,Rear Fender	1
3	P4064905001001110	Flat Head Bolt M6x16	3
4	P4064905001001120	Bracket B,Rear Fender	1
5	P4064905001001130	Mounting Bracket,Rear Fender	1
6	P4064905001004150	Lock Nut M6	6
7	P4064905001002390	Inner Hexagon Blt M6x16	2
8	P4064905001001160	Mounting Plate,Rear Fender	2
9	P4064905001001170	Mounting Bush,Rear Fender	1
10	P4064905001001175	Inner Hexagon Blt M6x48	1
11	P4064905001002420	Flat Washer F 6	4

Rear Wheel Assy



Ref. No.	Sachs Part No.	Description	QTY
1	P4064905001001190	Outer Tire,Rear Wheel(120/80-16)	1
2	P4064905001001200	Inner Tire,RearWheel	1
3	P4064905001002800	Bearing 6202-2RS	2
4	P4064905001001220	Bush,Rear Wheel	1
5	P4064905001001230	Rear Wheel Rim Assy(Silver)	1
	P4064905001001240	Rear Wheel Rim Assy(Dark Black)	1
6	P4064905001001250	Chain Plate(420/53?)	1
7	P4064905001002840	Bolt M6x20	12
8	P4064905001001270	Chain 420-112B	1
9	P4064905001001280	Connector,Chain	1
10	P4064905001001290	Rear Disc Brake Plate	1
11	P4064905001001300	Lock Nut M12x1.25	1
12	P4064905001001310	Left Bush,Rear Wheel	1
13	P4064905001001330	Rear Wheel Axle	1
14	P4064905001001320	Right Bush,Rear Wheel	1

F-19
Rear Brake Assy



Ref. No.	Sachs Part No.	Description	QTY
1	P4064905001003080	Rear Brake Assy(Red)	1
	P4064905001003090	Rear Brake Assy(Black)	1
2	P4064905001003120	Outer Steel Ball Socket l with Brake Pad	1
3	P4064905001003180	Outer Steel Ball Socket r with Brake Pad	1
4	P4064905001003220	Mounting Bracket,Rear Brake(Red)	1
	P4064905001003225	Mounting Bracket,Rear Brake(Black)	1
5	P4064905001003210	Inner Hexagon Bolt M8x16	2

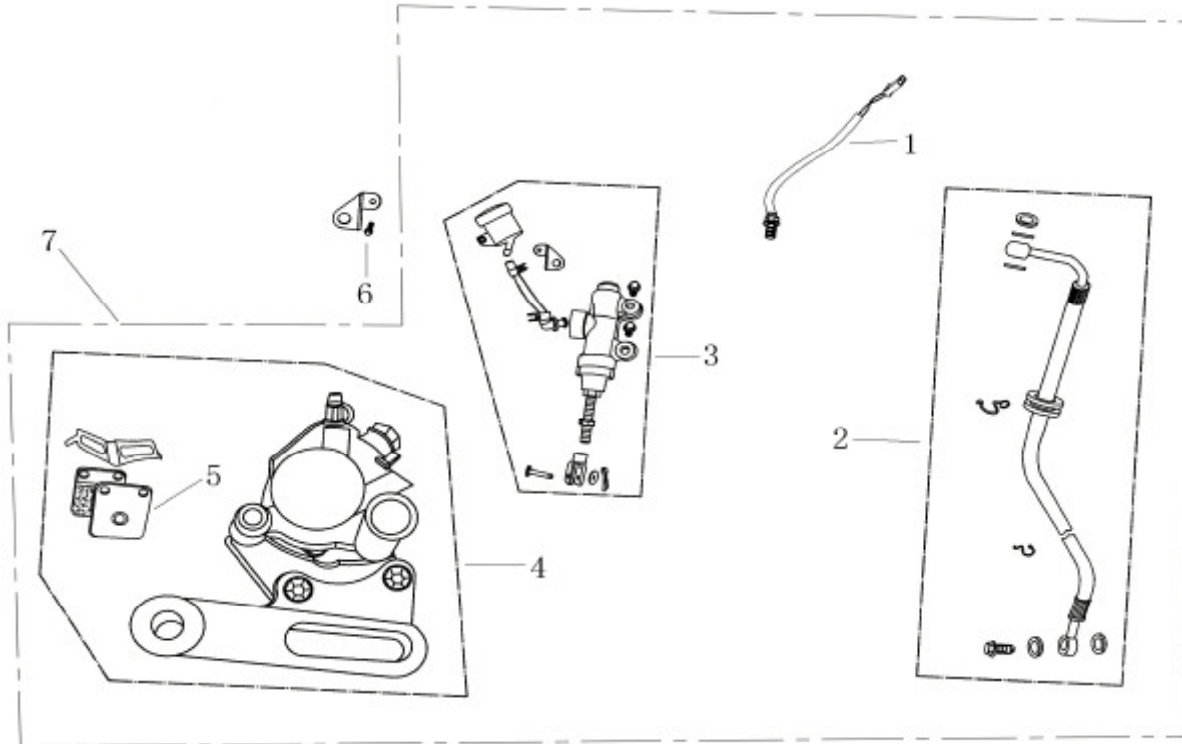
F-19-2

Rear Brake Assy

Von diesen Fahrgestellnummern an wurde die neue Hinterradbremse verwendet:

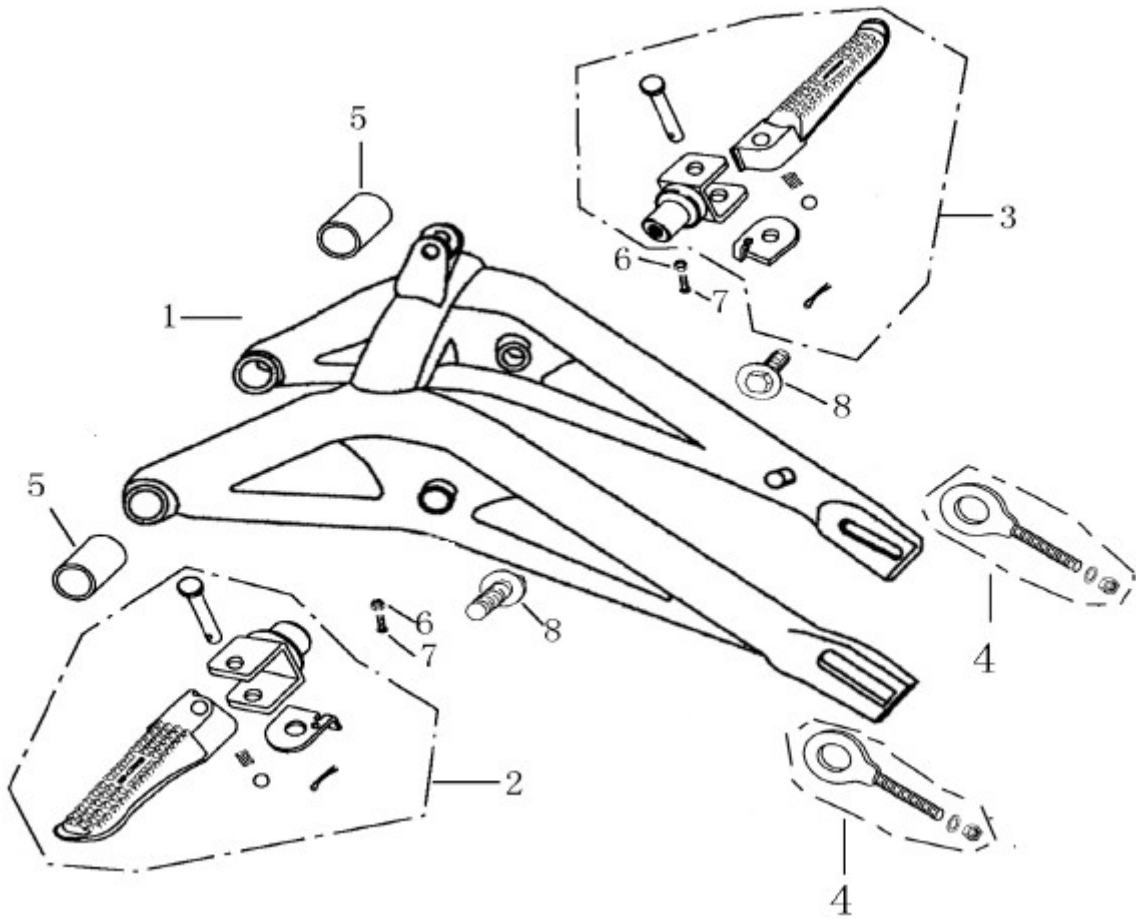
WSF 649 A10 5 0006 000 - fortlaufend schwarz

WSF 649 A10 5 0006 500 - fortlaufend silber

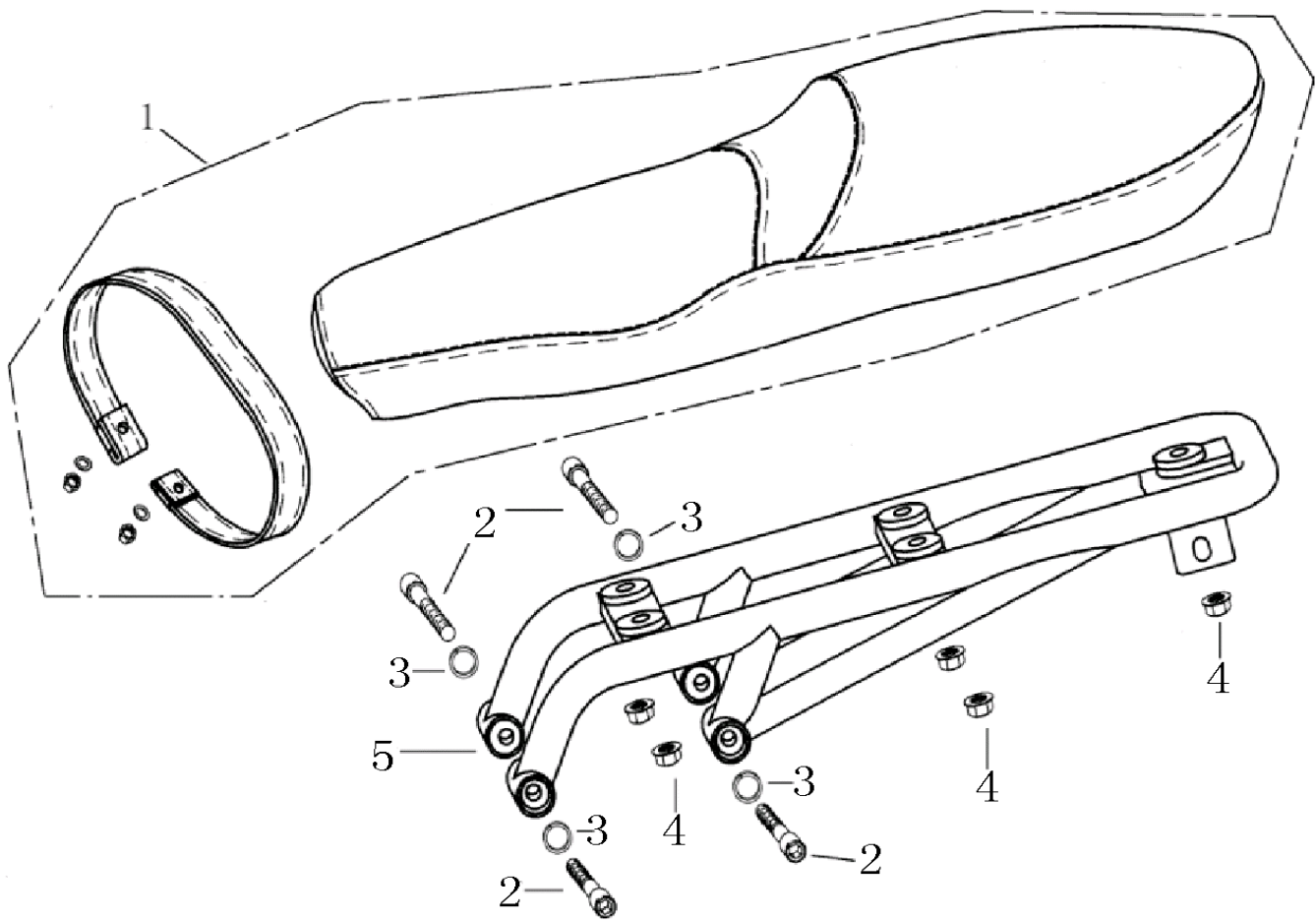


Ref. No.	Sachs Part No.	Description	QTY
1	P4064905001000435	Rear Brake Switch	1
2	P4064905001000525	Oil Tube,Rear Brake	1
3	P4064905001000556	Rear Brake Caliper Assy(Red)	1
3	P4064905001000555	Rear Brake Caliper Assy(Black)	1
4	P4064905001003095	Master Cylinder,Rear Brake (Red)	1
4	P4064905001003085	Master Cylinder,Rear Brake (Black)	1
5	P4064905001003125	Rear Brake Shoe	1
6	P4064905001001345	Flange Bolt M6*16	1
7	P4064905001003099	Rear Brake Assy(Red)	1
7	P4064905001003089	Rear Brake Assy(Black)	1

F-20
Rear Swing Arm



Ref. No.	Sachs Part No.	Description	QTY
1	P4064905001001500	Rear Swing Arm Assy(Silver,new)	1
	P4064905001001510	Rear Swing Arm Assy(Dark Black,new)	1
2	P4064905001001520	Rear Footrest (Left)	1
3	P4064905001001620	Rear Footrest (Right)	1
4	P4064905001001640	Chain Adjuster	2
5	P4064905001004360	Bush,Rear Swing Arm	2
6	P4064905001001525	Hexagon Nut M5	2
7	P4064905001001625	Pan Screw M5*12	2
8	P4064905001001630	Combination Bolt M8x20	2



Ref. No.	Sachs Part No.	Description	QTY
1	P4064905001001660	Seat Assy(Black)	1
	P4064905001001670	Seat Assy(Red)	1
2	P4064905001001750	Inner Hexagon BoltM8*45	4
3	P4064905001002465	Spring Washerf 8	4
4	P4064905001004150	Flange Nut M6	5
5	P4064905001001730	Seat Holder(Silver)	1
	P4064905001001740	Seat Holder(Black)	1

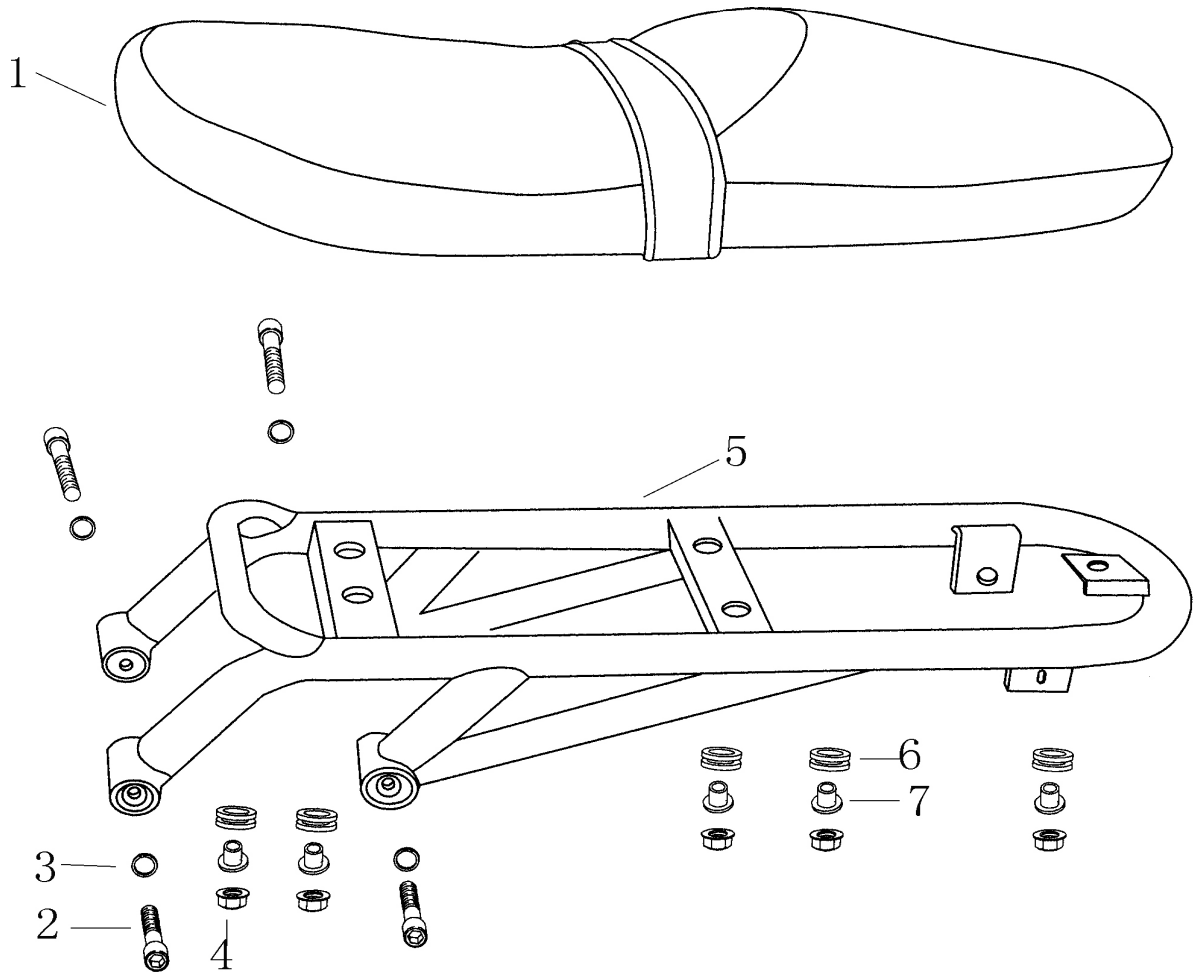
F-21-2

Seat Assy new

Von diesen Fahrgestellnummern an wurde die neue Sitzbank und Halter verwendet:

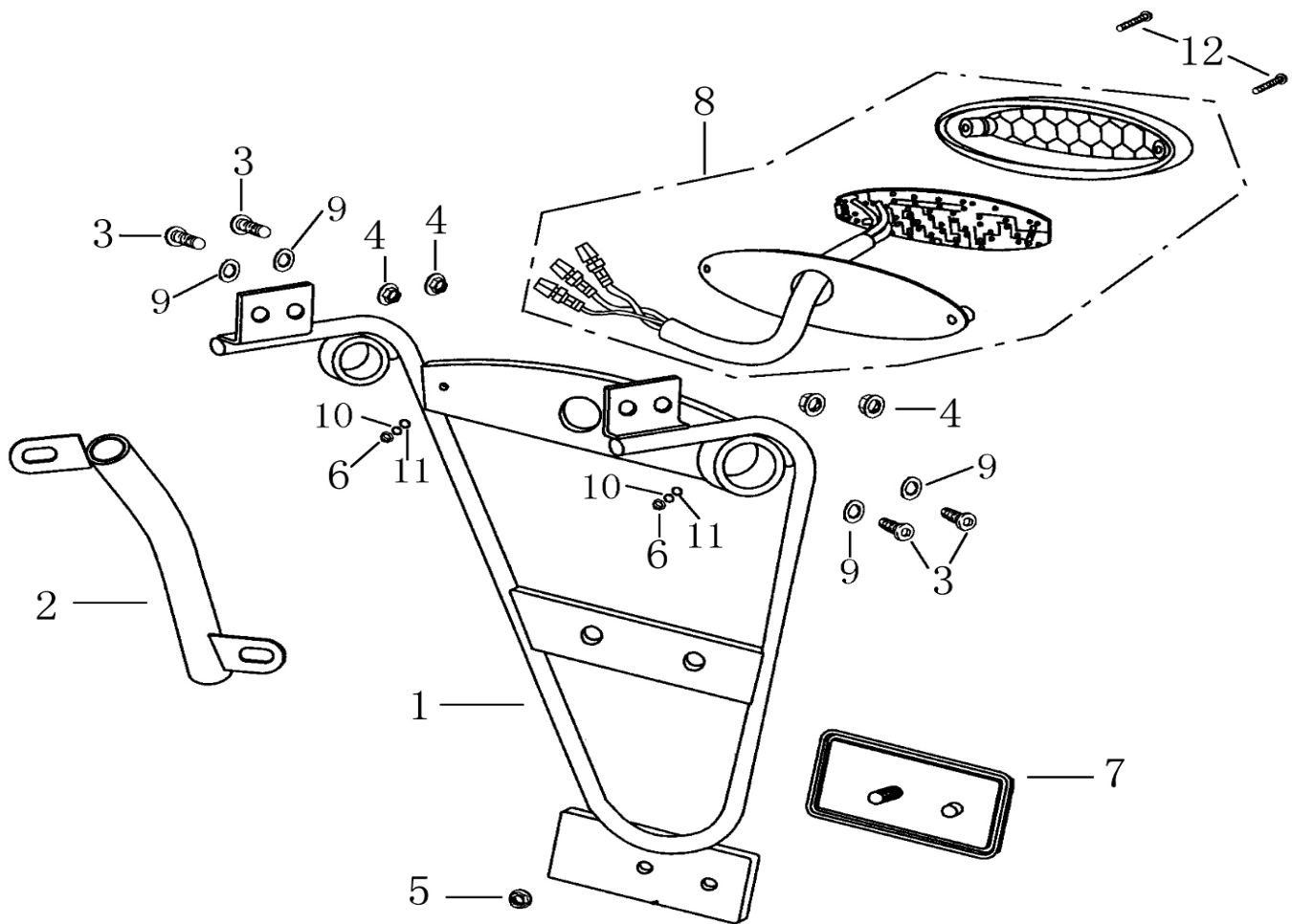
WSF 649 A10 5 0006 000 - fortlaufend schwarz

WSF 649 A10 5 0006 500 - fortlaufend silber



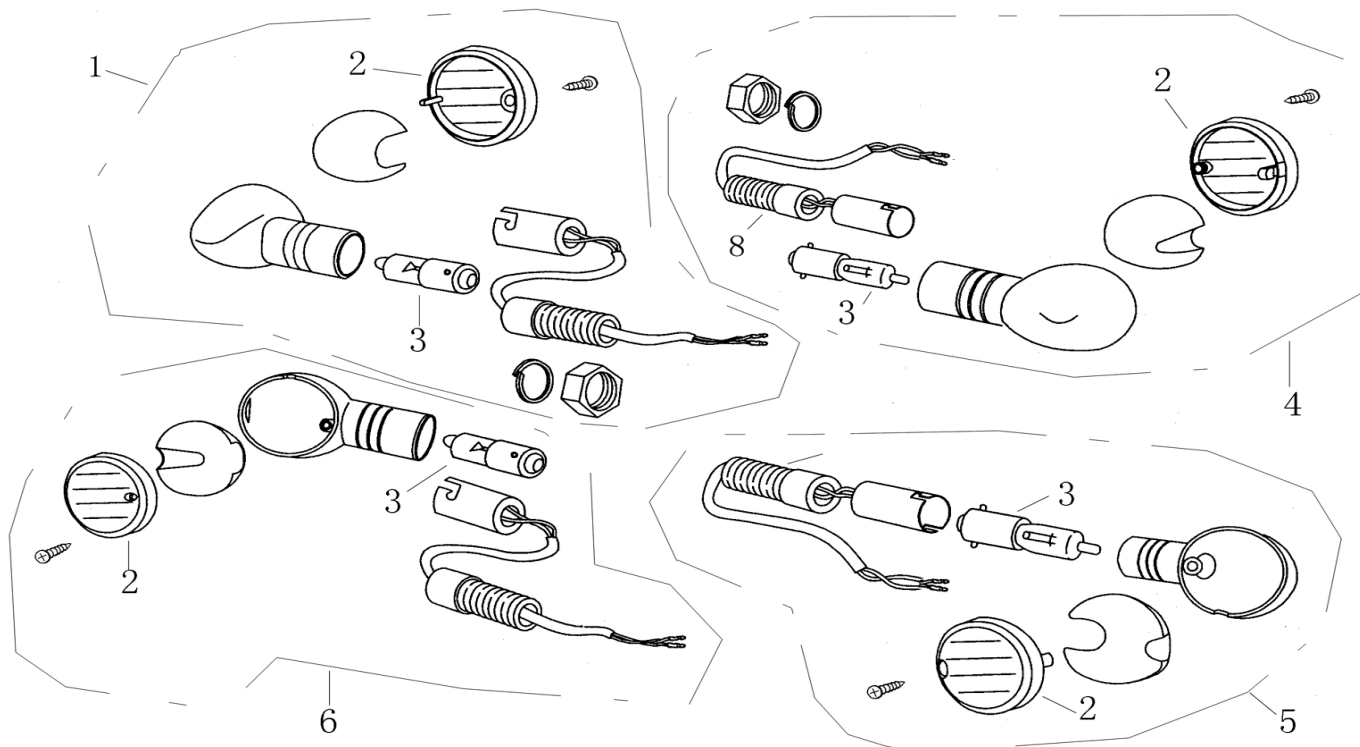
Ref. No.	Sachs Part No.	Description	QTY
1	P4064905001001665	Seat Assy(Black)	1
1	P4064905001001675	Seat Assy(Red)	1
2	P4064905001001750	Inner Hexagon Bolt M8*45	4
3	P4064905001002465	Spring Washerf 8	4
4	P4064905001004150	Flange Nut M6	5
5	P4064905001001735	Seat Holder(Silver)	1
5	P4064905001001745	Seat Holder(Dark Black)	1
6	P4064905001004155	Damper Rubber	5
7	P4064905001004145	Bush	5

F-22
Tail Light Assy



Ref. No.	Sachs Part No.	Description	QTY
1	P4064905001001770	Bracket,Rear License Plate (Dark Black)	1
2	P4064905001001780	Lead Tube	1
3	P4064905001002390	Inner Hexagon Bolt M6x16	4
4	P4064905001004150	Lock Nut M6	4
5	P4064905001001810	Flange Nut M5	1
6	P4064905001001820	Hexagon Nut M3	2
7	P4064905001001830	Rear Reflector	1
8	P4064905001001840	Tail Light Assy(new)	1
9	P4064905001002420	Flat Washer f 6	4
10	P4064905001001815	Spring Washer f 3	2
11	P4064905001001825	Flat Washer f 3	2
12	P4064905001001880	Pan Bolt M3*25	2

F-23
Indicator



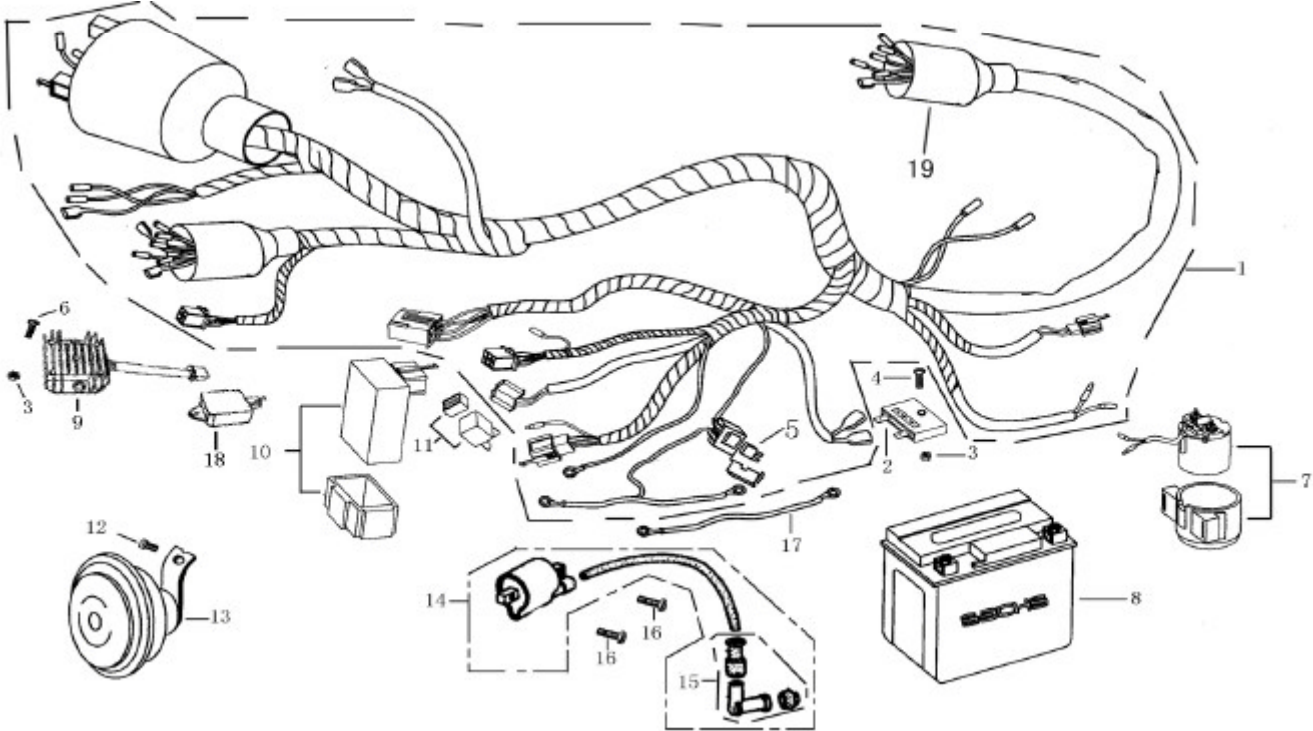
Ref. No.	Sachs Part No.	Description	QTY
1	P4064905001001890	Rear Indicator (Right,new)	1
2	P4064905001001930	Indicator Lampshade	4
3	P4064905001001950	Indicator Bulb(12V/21W)	4
4	P4064905001002030	Rear Indicator (Left,new)	1
5	P4064905001002050	Front Indicator (Right,new)	1
6	P4064905001002040	Front Indicator (Left,new)	1

Wiring Harness

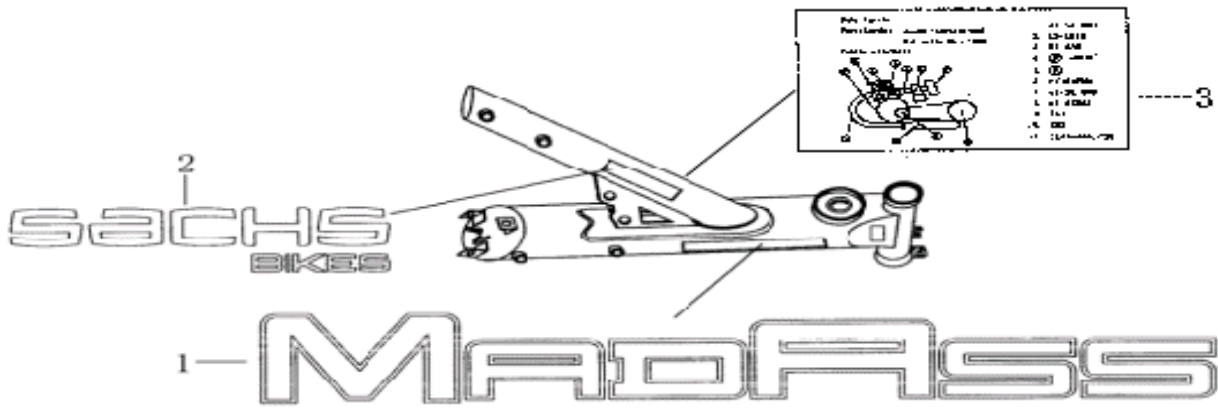
Von diesen Fahrgestellnummern an wurde der neue Kabelbaum verwendet:

WSF 649 A10 5 0006 000 - fortlaufend schwarz

WSF 649 A10 5 0006 500 - fortlaufend silber

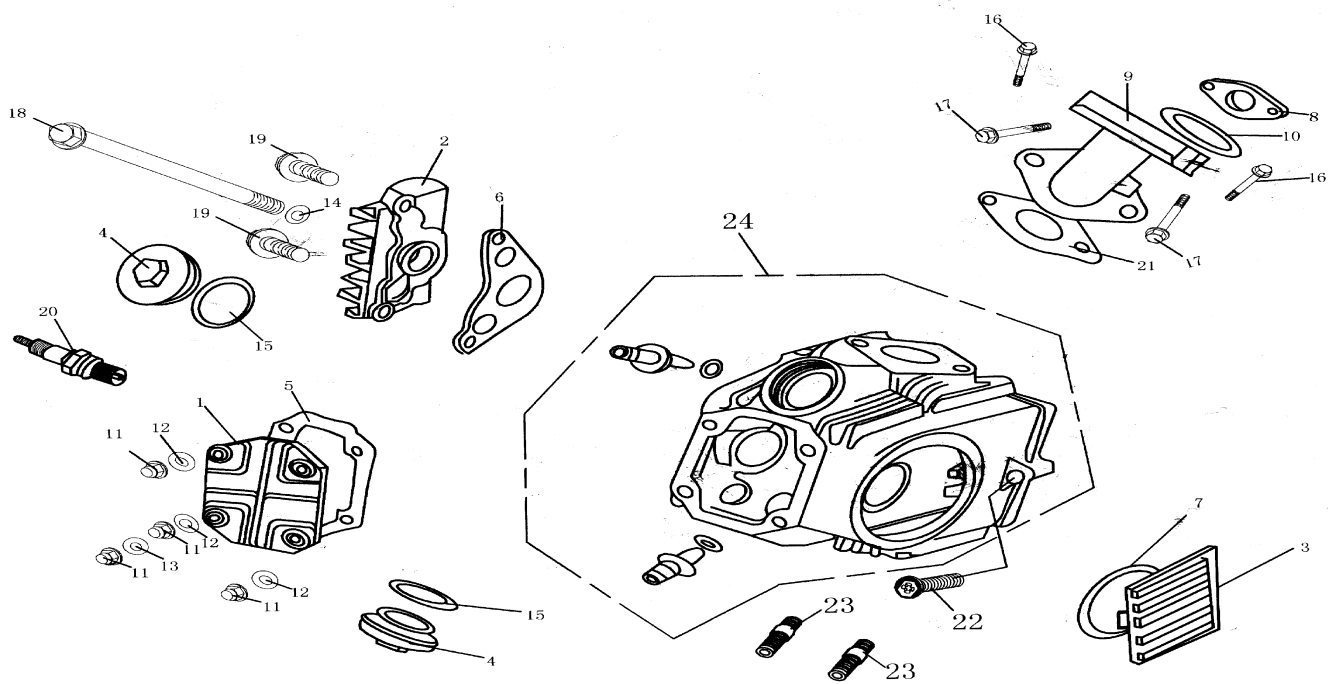


Ref. No.	Sachs Part No.	Description	QTY
1	P4064905001002110	Wiring Harness(with Fuse Box,new)	1
2	P4064905001002120	Diode	1
3	P4064905001001810	Flange Nut M5	2
4	P4064905001001805	Screw M5*20	1
5	P009279955008000	Insurance Tube (10A)	1
6	P4064905001004210	Screw M5*18	2
7	P4064905001002150	Start Relay	1
8	P4064905001002320	Battery Assy(YT4L-BS,)	1
8	P4064905001002325	Battery Assy(YTX5L-BS will be use in the future)	1
9	P4064905001002210	Rectifier (Full Wave,new)	1
10	P4064905001002220	C.D.I Comp	1
11	P4064905001002190	Flasher Comp	1
12	P4064905001004340	Combination Bolt M6x12	1
13	P4064905001002300	Horn(E-mark)	1
14	P4064905001002240	Ignition Coil Assy	1
15	P4064905001002275	Cap,Spark Plug	1
16	P4064905001000210	Pan Bolt M5x16	2
17	P4064905001004170	Cathode Cable	1
18	P406493607501000	Speed Limiter	1



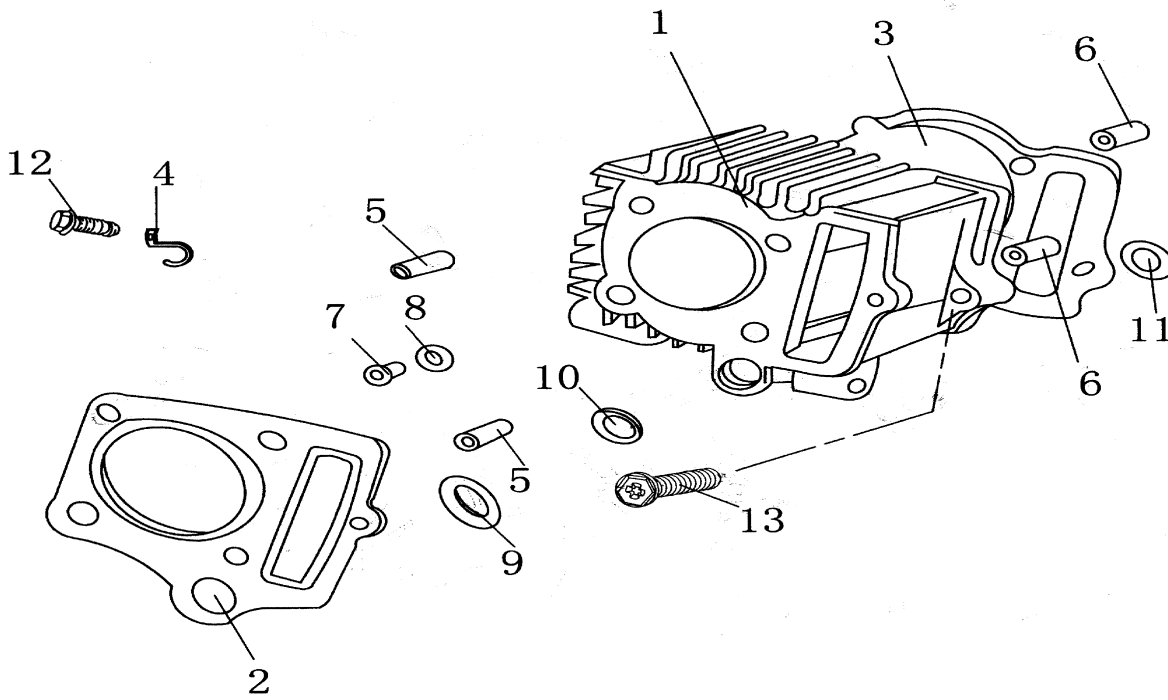
Ref. No.	Sachs Part No.	Description	Q'TY
1	P4064905001002060	Sticker,Oil Tank(Black fundus, MadAss)	2
	P4064905001002070	Sticker,Oil Tank(Iron Gray fundus, MadAss)	2
2	P4064905001002080	Sticker,Brand(Black,Sachs)	1
	P4064905001002090	Sticker,Brand(Silver,Sachs)	1
3	P4064905001002100	Mark, Anti Tampering	2

E-1
Cylinder Head



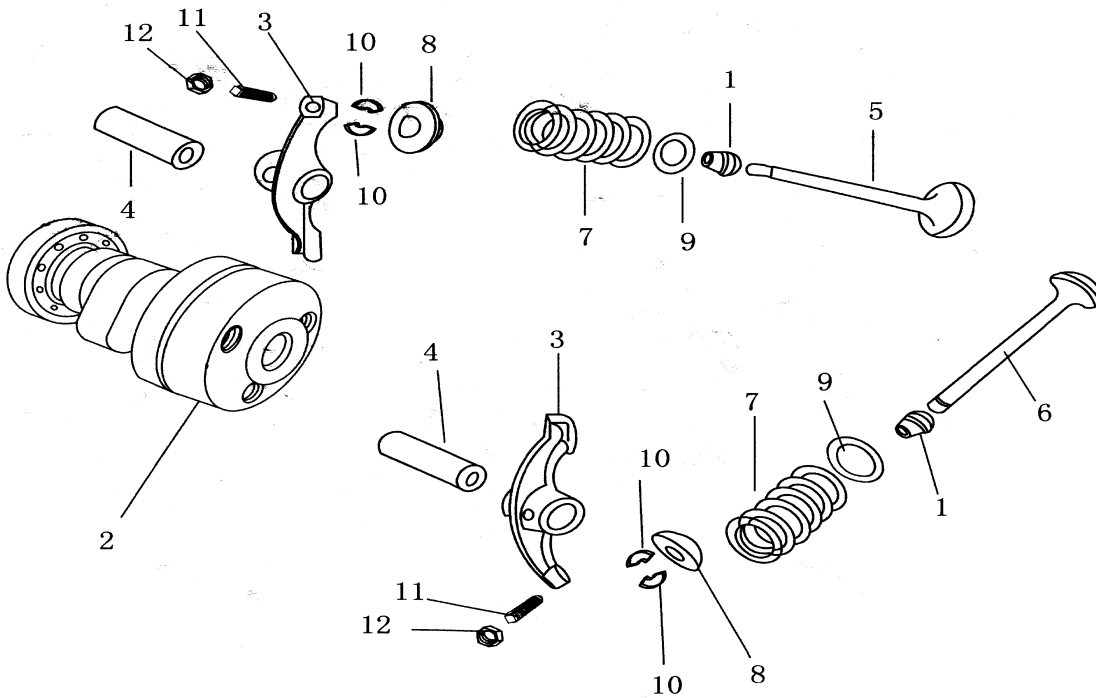
NO.	Sachs Part No.	DESCRIPTION	Q'TY
1	P4064905002000190	Cylinder Head	1
2	P4064905002000200	Right Cover,Cylinder	1
3	P4064905002000210	Left Cover,Cylinder	1
4	P4064905002000220	Valve Cover	2
5	P4064905002000230	Seal Washer,Cylinder Head	1
6	P4064905002000240	Seal Washer,Right Cover of Cylinder Head	1
7	P4064905002000250	Seal Washer,Left Cover of Cylinder Head	1
8	P4064905002000260	Heat Insulation Gasket,Carburetor Socket	1
9	P4064905002000270	Intake Pipe	1
10	P4064905002000280	O-Ring 25*2.4	1
11	P4064905002000290	Cap Nut M6(chromeplate)	4
12	P4064905002000300	Steel Gasket f 8*14*2.5	3
13	P4064905002000310	Cuprum Gasketf 8*14*2.5	1
14	P4064905002000320	Aluminum Washer f 6*13*1	1
15	P4064905002000330	O-Ring 30.8*3.2	2
16	P4064905002002270	Bolt M6*25	2
17	P4064905002000350	Bolt M6*32	2
18	P4064905002000360	Bolt M6*110	1
19	P4064905002000380	Bolt M6*20	2
20	P4064905002000390	Spark Plug	1
21	P4064905002000395	Seal Washer,Intake Pipe	1
22	P4064905002000380	Bolt M6*20	1
23	P4064905002000080	Stud Bolt M6*32	2
24	P4064905002000030	Cylinder head Comp	1

E-2
Cylinder Body



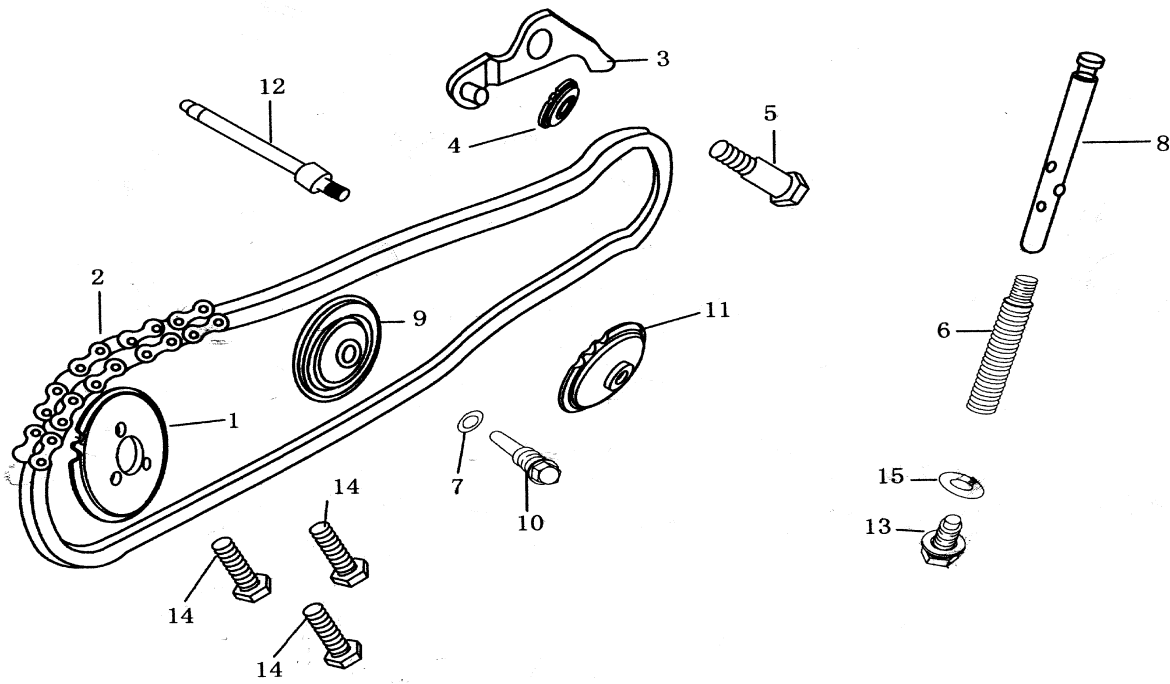
NO.	Sachs Part No.	DESCRIPTION	Q'TY
1	P4064905002000010	Cylinder Body	1
2	P4064905002000060	Seal Washer,Cylinder Head	1
3	P4064905002000020	Seal Washer,Cylinder Body	1
4	P4064905002000070	Fixation Clip,High pressure Cable	1
5	P4064905002000170	Dowel Pin 8*14	2
6	P4064905002000160	Dowel Pin 8*12	2
7	P4064905002000100	T-bush 8*12	1
8	P4064905002000150	Rectangle Seal Ring 11.7*9*2.4	1
9	P4064905002000110	Bush 14.5*10*2	1
10	P4064905002000120	Rectangle Seal Ring 14.5*18.5*2.4	1
11	P4064905002000130	Rectangle Seal Ring 11.5*15.7*2.4	1
12	P4064905002000180	Bolt M6*18	1
13	P4064905002000380	Bolt M6*20	1

Valve System

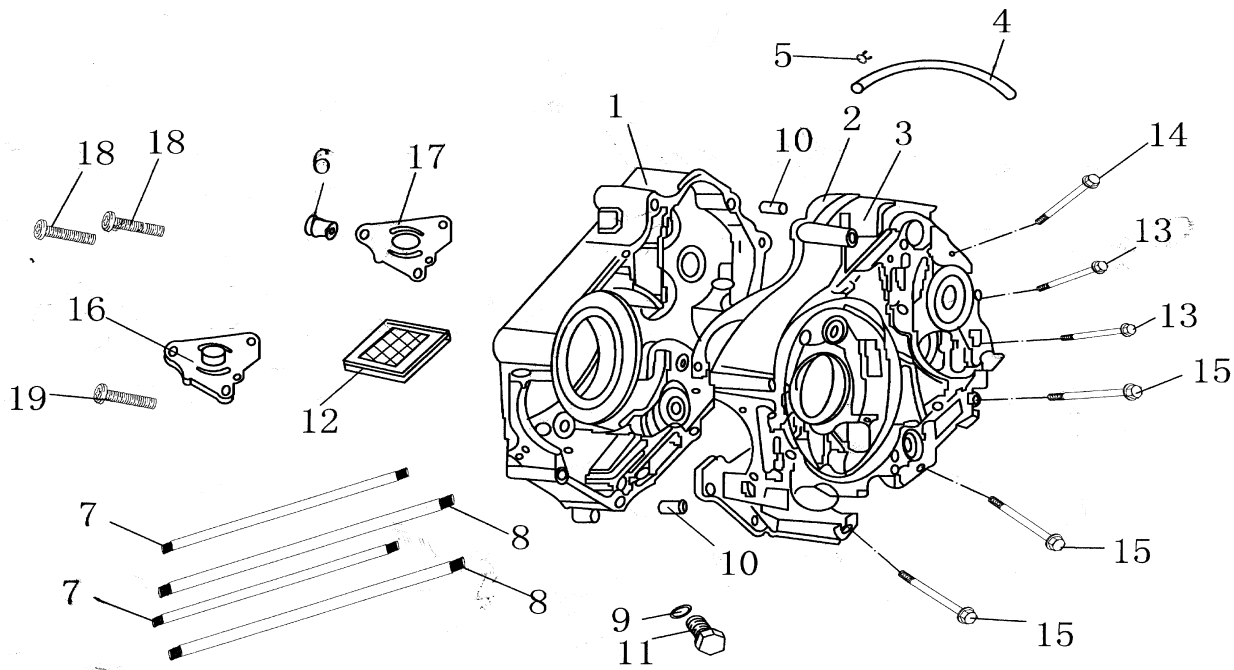


NO.	Dachs Part No.	DESCRIPTION	Q'TY
1	P4064905002000780	Valve Seal Comp	2
2	P4064905002000790	Camshaft Comp	1
3	P4064905002000800	Swing Arm Comp	2
4	P4064905002000810	Shaft,Swing Arm	2
5	P4064905002000820	Intake Valve	1
6	P4064905002000830	Exhaust Valve	1
7	P4064905002000840	Outside Spring,Valve	2
8	P4064905002000850	Hold Plate,Valve Spring	2
9	P4064905002000860	Spring Washer,Outside Valve	2
10	P4064905002000870	Lock Clip,Valve	4
11	P4064905002000880	Adjusting Bolt,Valve	2
12	P4064905002000890	Adjusting Nut,Valve	2

Timing Chain Tensioner

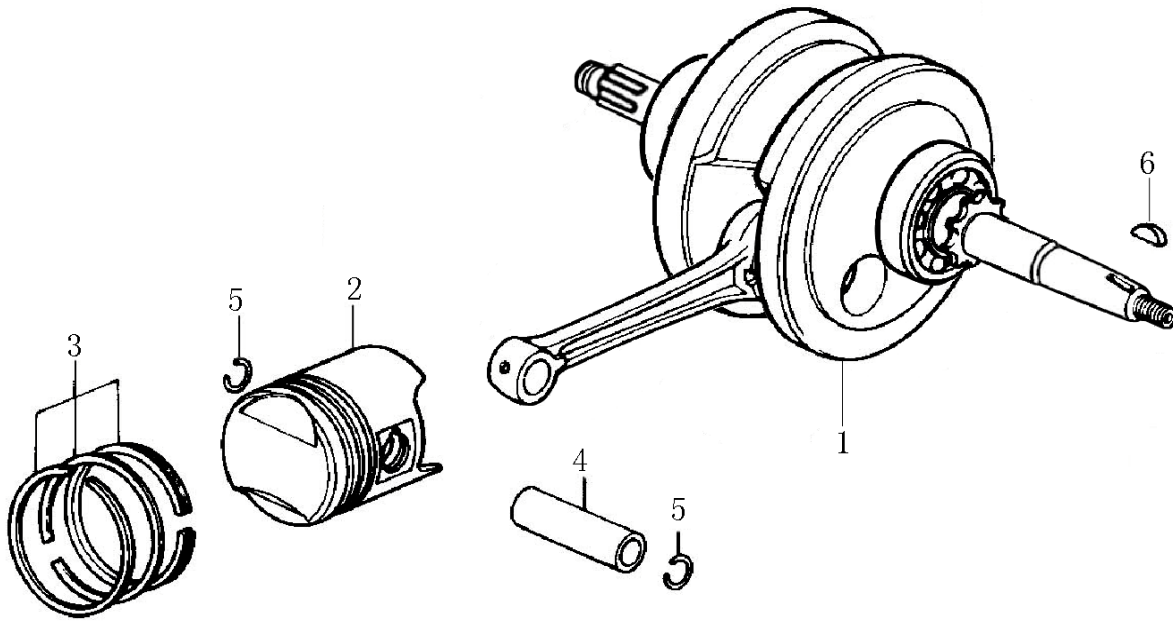


NO.	Sachs Part No.	DESCRIPTION	QTY
1	P4064905002000600	Timing Driven Sprocket Wheel	1
2	P4064905002000610	Timing Chain	1
3	P4064905002000620	Chain Tension Arm Comp	1
4	P4064905002000630	Chain Tension Trolley	1
5	P4064905002000640	Mandrel, Chain Tension Arm	1
6	P4064905002000650	Spring, Chain Tension Bar	1
7	P4064905002000760	Aluminum Washer f 8*15*1.5	1
8	P4064905002000660	Chain Tension Bar Comp	1
9	P4064905002000680	Guide Trolley, Sprocket Wheel	1
10	P4064905002000690	Bolt Shaft, Guide Trolley(chromeplate)	1
11	P4064905002000700	Drive Sprocket Wheel, Oil Pump	1
12	P4064905002000710	Sprocket Shaft, Oil Pump	1
13	P4064905002000720	Tension Bolt Shaft M14*12	1
14	P4064905002000730	Bolt M5*12	3
15	P4064905002000740	Aluminum Washer f 14*20*1.5	1



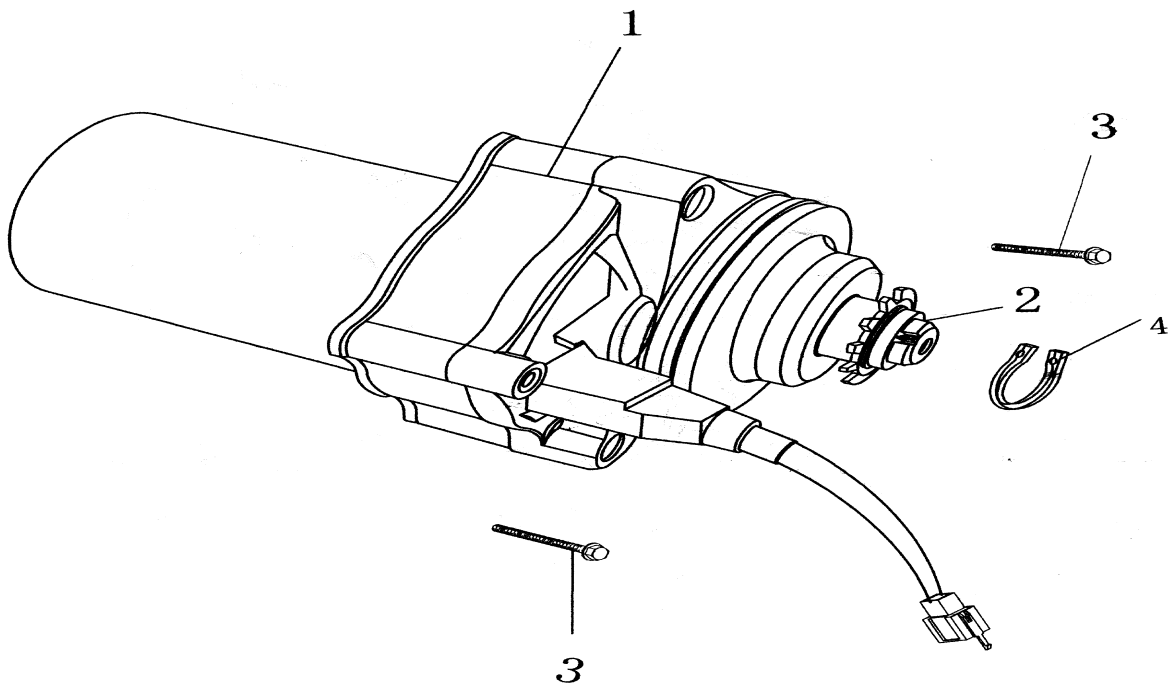
NO.	Sachs Part No.	DESCRIPTION	QTY
1	P4064905002000920	Right Crankcase Body	1
2	P4064905002000930	Seal,Crankcase	1
3	P4064905002000940	Left Crankcase	1
4	P4064905002000950	Vent Pipe,Crankcase	1
5	P4064905002003210	Pipe Clip	1
6	P4064905002003880	Shaft Bush,Oil Pump Sprocket Wheel	1
7	P4064905002000960	Stud Bolt ,Cylinder M6*188	2
8	P4064905002000970	Stud Bolt,Cylinder M6*196	2
9	P4064905002000980	Aluminum Washer 12*20*.1.5	1
10	P4064905002000990	Dowel Pin 10*14	2
11	P4064905002001000	Bolt M12*16	1
12	P4064905002001010	Fuel Filter Screen	1
13	P4064905002001020	Bolt M6*60	2
14	P4064905002001030	Bolt M6*50	1
15	P4064905002001040	Bolt M6*65	3
16	P4064905002001050	Oil Pump Assy	1
17	P4064905002003800	Seal,Oil Pump	1
18	P4064905002003890	Screw M6*16	2
19	P4064905002003230	Screw M6*22	1

Crank Connecting Rod

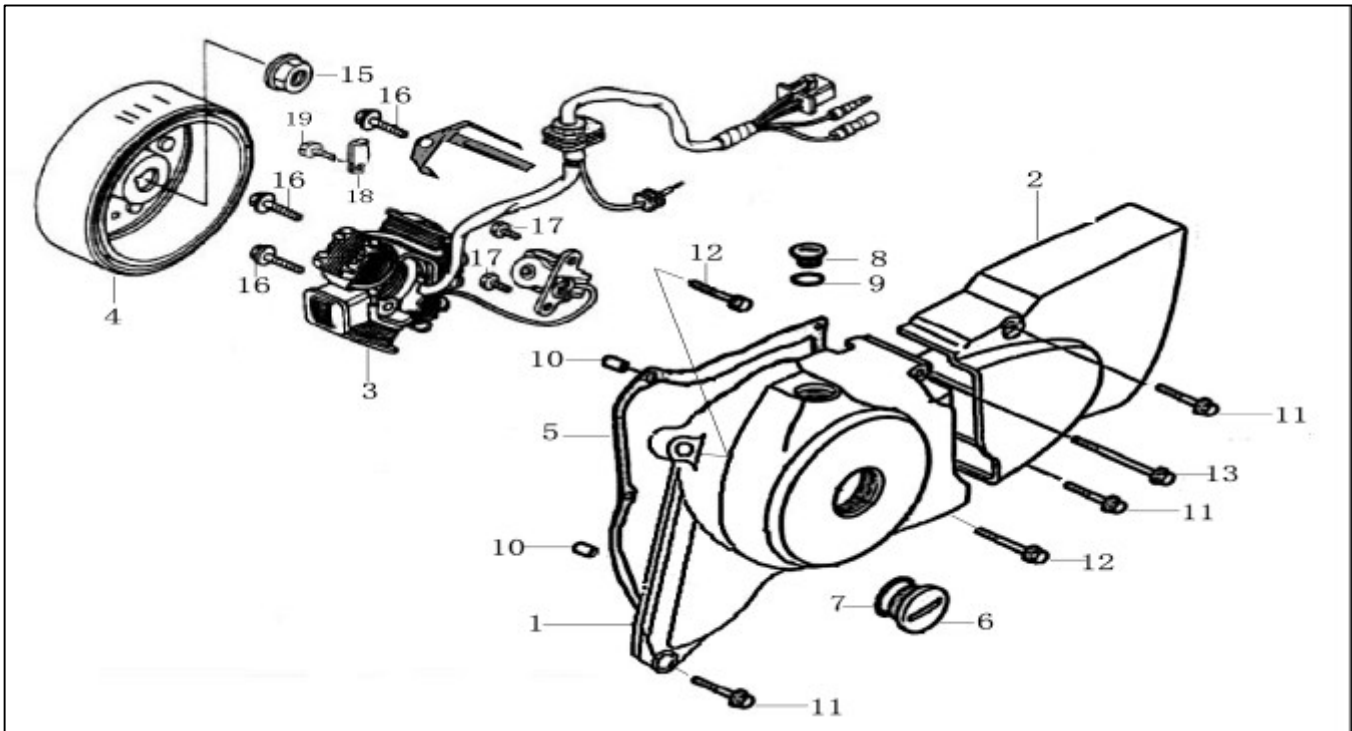


NO.	Sachs Part No.	DESCRIPTION	Q'TY
1	P4064905002001060	Crank Link Rod	1
2	P4064905002001080	Piston	1
3	P4064905002001070	piston Ring	1
4	P4064905002001090	Piston Pin	1
5	P4064905002001100	Snap Ring,Piston Pin	2
6	P4064905002001160	Woodruff Key	1

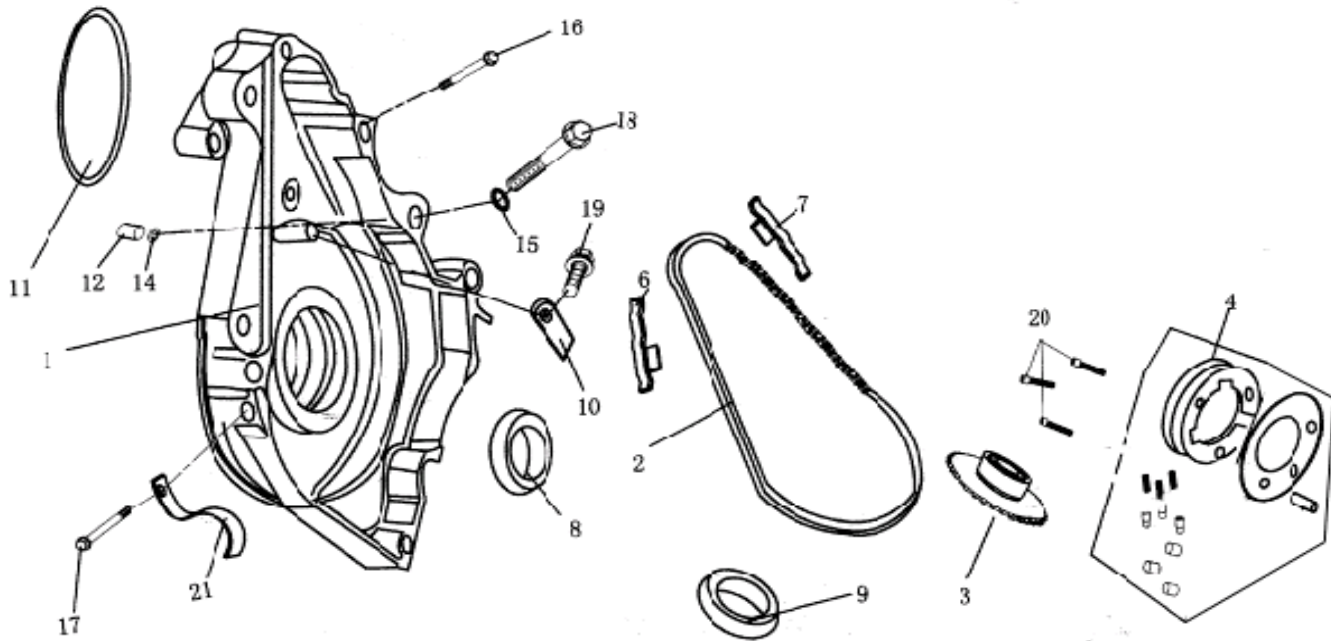
E-7
Starting Motor



NO.	Sachs Part No.	DESCRIPTION	Q'TY
1	P4064905002002260	Starting Motor Assy	1
2	P4064905002002330	Electricity Starting Wheel	1
3	P4064905002002270	Bolt M6*25(chromeplate)	2
4	P4064905002002360	Snap Ring 10*1	1

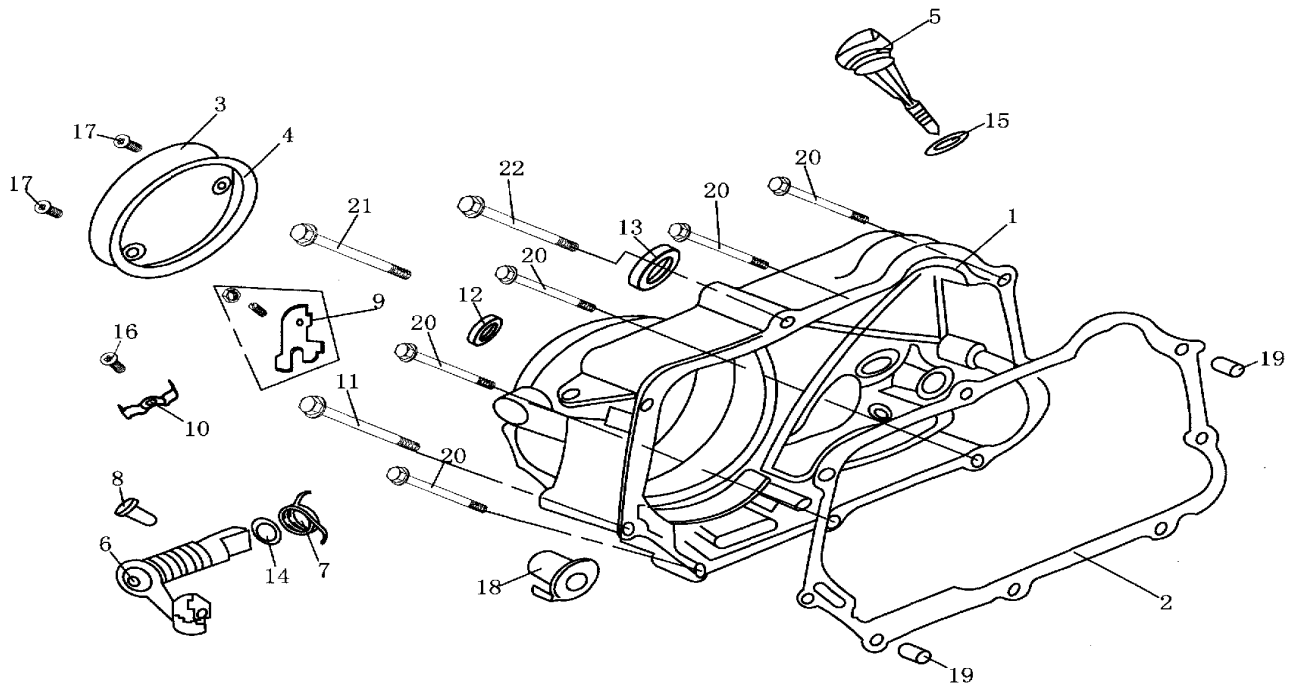


NO.	Sachs Part No.	DESCRIPTION	Q'TY
1	P4064905002000405	Left Crankcase Cover Silver	1
1	P4064905002000400	Left Crankcase Cover Black	
2	P4064905002000415	Left Main Drive Sprocket Cover Sliver	1
2	P4064905002000410	Left Main Drive Sprocket Cover Black	
3	P4064905002000490	Stator Comp	1
4	P4064905002000430	Rotor Comp	1
5	P4064905002000420	Seal,Left Crankcase Cover	1
6	P4064905002000450	Cover,Timing Side-glance hole	1
7	P4064905002000470	O-ring,Side-glance Hole	1
8	P4064905002000440		
9	P4064905002000480	O-ring,Top-glance Hole	
10	P4064905002000170	Dowel Pin 8*14	
11	P4064905002002270	Bolt M6*25	
12	P4064905002000530	Bolt M6*105	
13	P4064905002000520	Bolt M6*50	
15	P4064905002000560	Nut M10	1
16	P4064905002000380	Bolt M6*20	3
17	P4064905002000570	Bolt M5*16	2
18	P4064905002000590	Touch off Cable,Fixing Plate	1
19	P4064905002000580	Screw M5*5	1



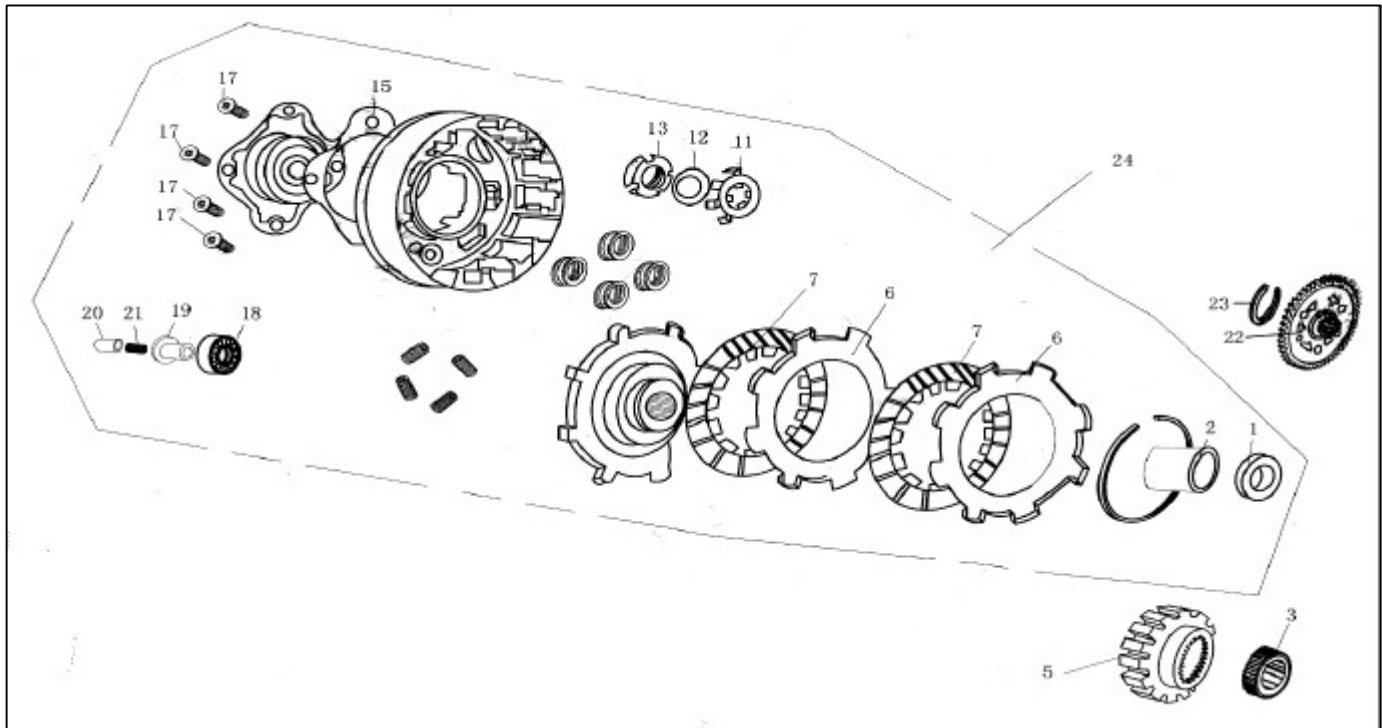
NO.	Sachs Part No.	DESCRIPTION	Q'TY
1	P4064905002002560	Cover Plate,Electricity Starting Motor	1
2	P4064905002002380	Drive Chain	1
3	P4064905002002410	Driven Chain	1
4	P4064905002002430	Compl. Clutch Body	1
6	P4064905002002400	Tension Plate,Chain	1
7	P4064905002002390	Guide Plate,Chain	1
8	P4064905002002510	Seal 30*42*4.5	1
9	P4064905002002520	Seal 18.9*30.5	1
10	P4064905002002420	Fixing Plate	1
11	P4064905002002530	O-ring 107*2	1
12	P4064905002000170	Dowel Pin 8*14	1
14	P4064905002003200	Seal Ring 8*2	1
15	P4064905002003180	Aluminum Gasket 6*10*1	1
16	P4064905002003090	Bolt M6*105	1
17	P4064905002002270	Bolt M6*25	1
18	P4064905002003110	Bolt M6*35	1
19	P4064905002002550	Bolt M6*12	1
20	P4064905002002540	Inner Hexagon Bolt M6*12	3
21	P4064905002003190	Cable Clip,Motor	1

E-10
Right Crank Case Cover

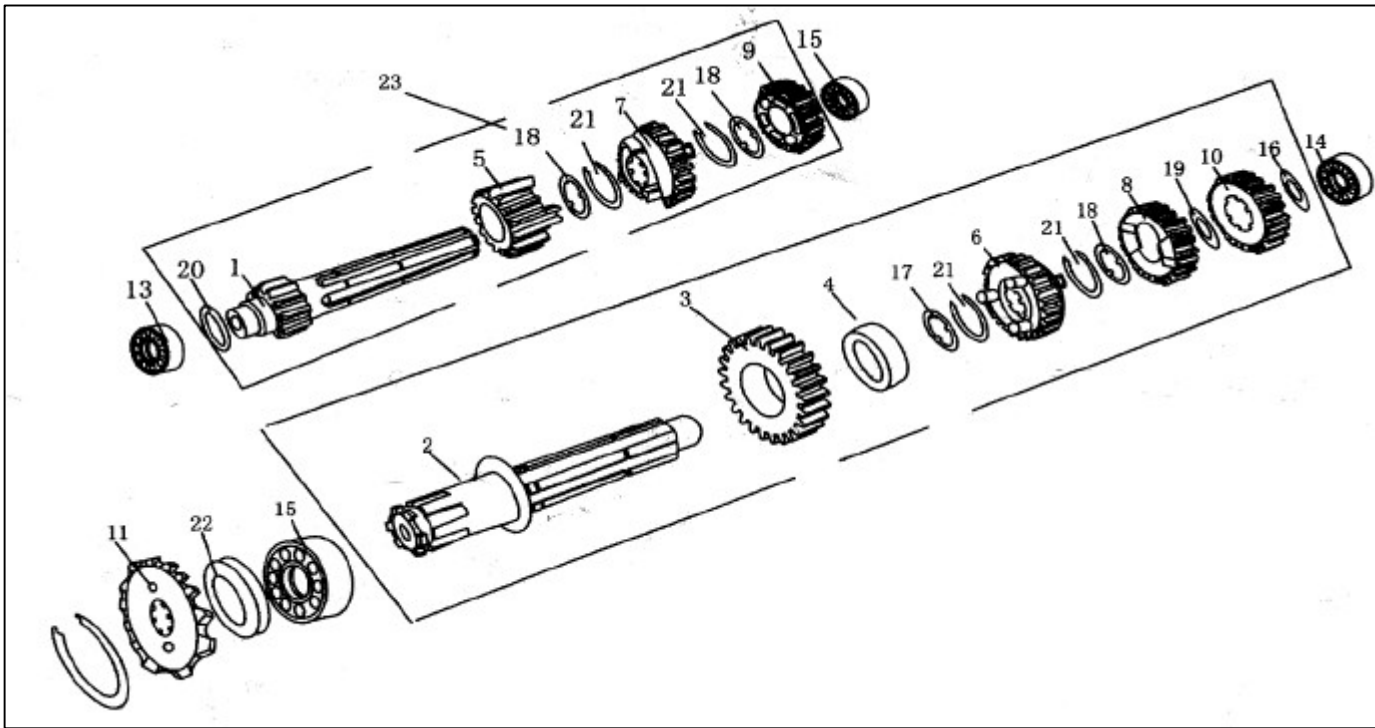


NO.	Sachs Part No.	DESCRIPTION	QTY
1	P4064905002002030	Right Crankcase Cover(black)	1
1	P4064905002002035	Right Crankcase Cover(gray)	1
2	P4064905002002040	Seal Washer,Right Crankcase Cover	1
3	P4064905002002050	Adjuster Cover,Clutch	1
4	P4064905002002060	Seal Washer	1
5	P4064905002002070	Fuel Guage	1
6	P4064905002002080	Cam Shaft,Clutch(chromeplate)	1
7	P4064905002002090	Sprng,Camshaft Clutch	1
8	P4064905002002100	Dowel Pin	1
9	P4064905002002110	Pressure Plate,Clutch	1
10	P4064905002002120	Fixing Plate,Clutch	1
11	P4064905002002250	Bolt M6*100	1
12	P4064905002002140	Seal 11*21*4	1
13	P4064905002002150	Seal 13.7*24*5	1
14	P4064905002002160	O-ring 14.1.5	1
15	P4064905002002170	O-ring 18*3.6	1
16	P4064905002002180	Screw M6*16	1
17	P4064905002003900	Screw M5*12	2
18	P4064905002001530	Handspike,Clutch	1
19	P4064905002000160	Dowel Pin f 8*12	2
20	P4064905002002220	Bolt M6*40(chromeplate)	5
21	P4064905002002230	Bolt M6*55	1
22	P4064905002001040	Bolt M6*65	1

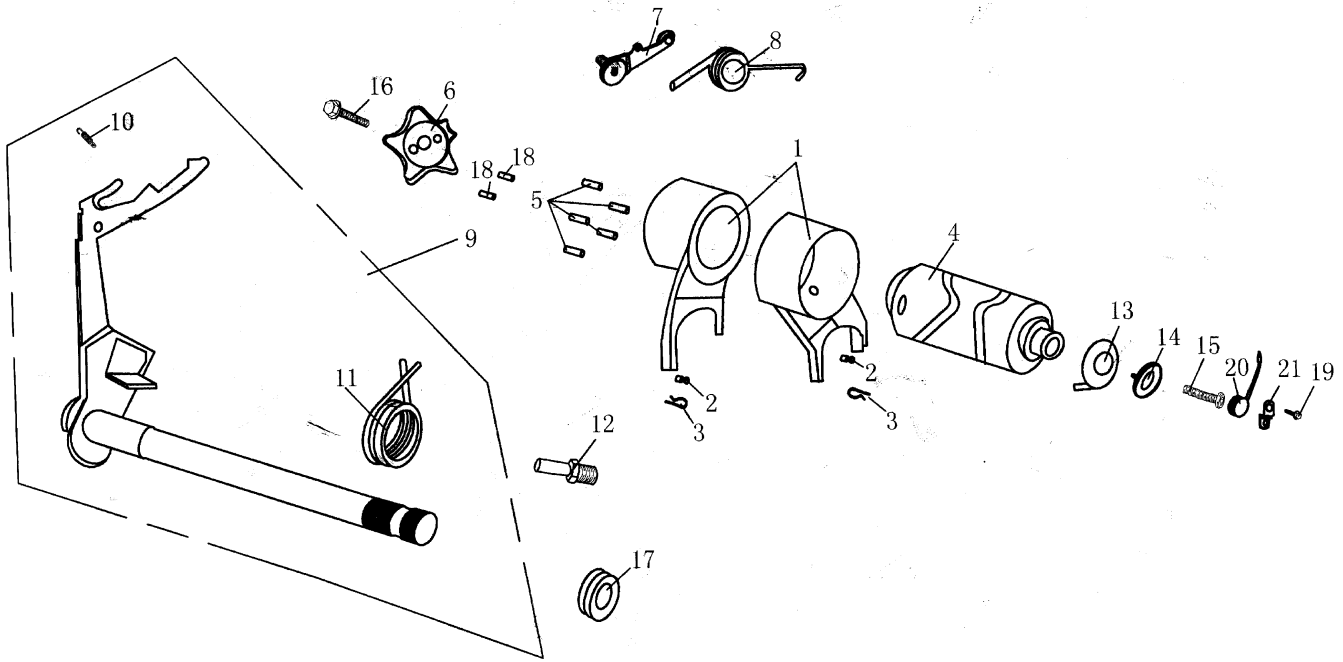
E-11
Clutch



NO.	Sachs Part No.	DESCRIPTION	Q'TY
1	P4064905002001550	Lower Ferrule,Drive Gear	1
2	P4064905002001460	Shaft Bush,Drive Gear	1
3	P4064905002001570	Main Drive Gear 17T	1
5	P4064905002003140	Wrap,Main Drive Gear	1
6	P4064905002001480	Driven Patch,Clutch	1
7	P4064905002001470	Drive Patch,Clutch	2
11	P4064905002001620	Stop washer,Round Nut	1
12	P4064905002001630	Taper Gasket 14*24*1.6	1
13	P4064905002001610	Four Claw Nut M14	1
15	P4064905002001440	Seal,End Cover of Clutch	1
17	P4064905002001650	Screw M5*12	4
18	P4064905002001590	Bearing 6000	1
19	P4064905002001600	Guide Pipe,Oil	1
20	P4064905002003910	Oil Pipe	1
21	P4064905002003120	Spring,Oil Pipe	1
22	P4064905002001560	Primary Driven Gear	1
23	P4064905002001240	Snap Ring 15.5*1.2	1
24	P4064905002001580	Clutch Assy	1

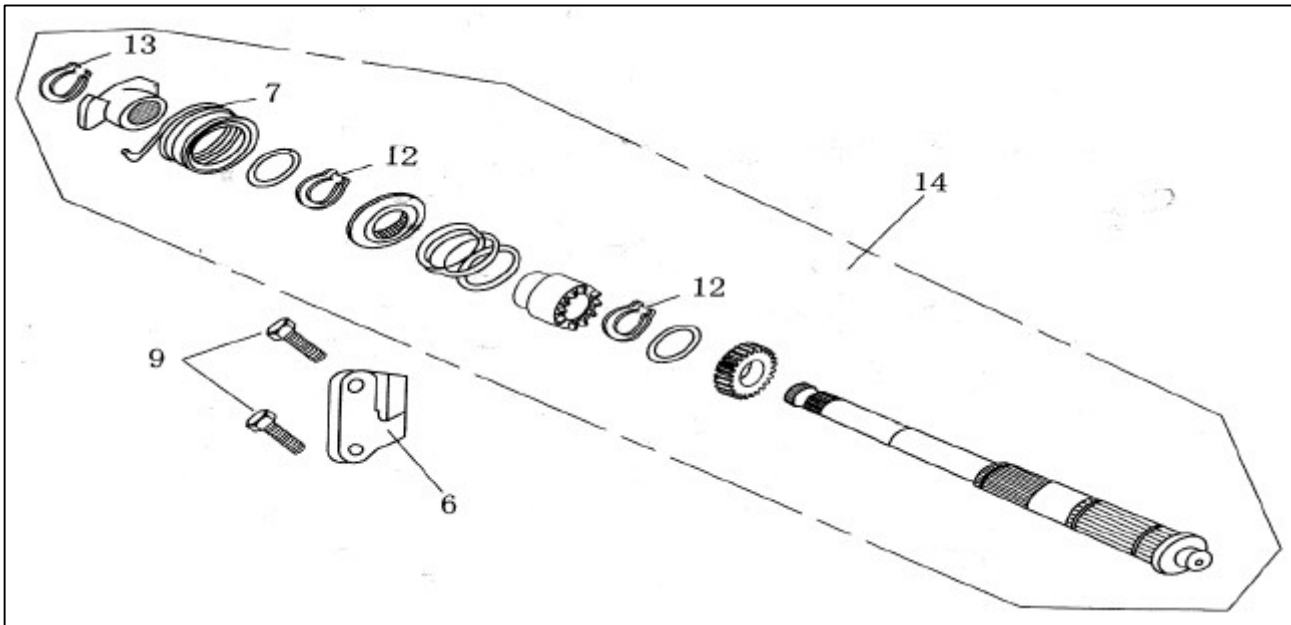


NO.	Sachs Part No.	DESCRIPTION	Q'TY
1	P4064905002001190	Main Shaft,Transmission	1
2	P4064905002001250	Countershaft,Transmission	1
3	P4064905002001260	Driven Gear,First Gear(36T)	1
4	P4064905002001310	Bush,Driven Gear of First Gear	1
5	P4064905002001200	Drive Gear,Second Gear(16T)	1
6	P4064905002001270	Driven Gear,Second Gear (31T)	1
7	P4064905002001210	Drive Gear,Third Gear (20T)	1
8	P4064905002001280	Driven Gear,Third Gear(27T)	1
9	P4064905002001220	Drive Gear,Fourth Gear(23T)	1
10	P4064905002001290	Driven Gear,Fourth Gear(24T)	1
11	P4064905002001380	Main Drive Sprocket Wheel	1
13	P4064905002001350	Bearing 6101	1
14	P4064905002001360	Bearing 6201	1
15	P4064905002001340	Bearing 6203	2
16	P4064905002001330	Flat Washer 12.8*26*0.5	1
17	P4064905002003240	Inner Spline Washer 17*1*23	1
18	P4064905002001230	Inner Spline Washer 17*1*20.8	3
19	P4064905002003160	Flat Washer 17.4*1*26	1
20	P4064905002003150	Flat Washer 12.7*17.7*0.5	1
21	P4064905002001240	Snap Ring 15.7*1	4
22	P4064905002001370	Bearing 17*29*5	1
23	P4064905002001400	Main Shaft	1
24	P4064905002001390	Countershaft	1

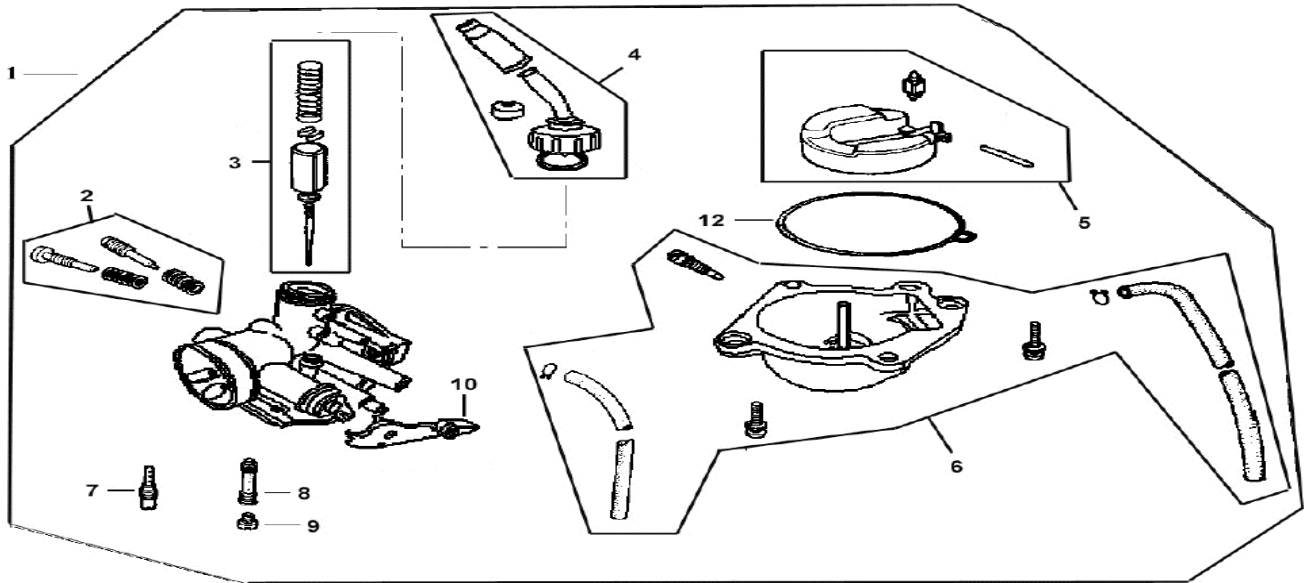


NO.	Sachs Part No.	DESCRIPTION	QTY
1	P4064905002001660	Fork,Gear	2
2	P4064905002001670	Guide Pin,Fork	2
3	P4064905002001680	Spring Clip	2
4	P4064905002001690	Drum,Shift Gears	1
5	P4064905002001700	Pin,Change Gear	5
6	P4064905002001710	Camshaft,Change Gear	1
7	P4064905002001720	Fixing Plate,Camsht	1
8	P4064905002001730	Return Spring,Fixing Plate	1
9	P4064905002001880	Change Gear Shaft	1
10	P4064905002001760	Pull Sping,Change Gear Arm	1
11	P4064905002001770	Ruturn Spring,Change Gear Shaft	1
12	P4064905002001780	Fixing Bolt,Return Spring	1
13	P4064905002001810	Touch Shim	1
14	P4064905002003170	Slip Ring	1
15	P4064905002001830	Bolt M6*16	1
16	P4064905002001840	Bolt M6*14	1
17	P4064905002001860	Seal 11.6*24*10	1
18	P4064905002001870	Dowel Pin,Camshaft	2
19	P4064905002002190	bolt M6*12	1
20	P4064905002001820	switch Connection	1
21	P4064905002001850	pressure Plate,Switch	1

E-14
Starting System

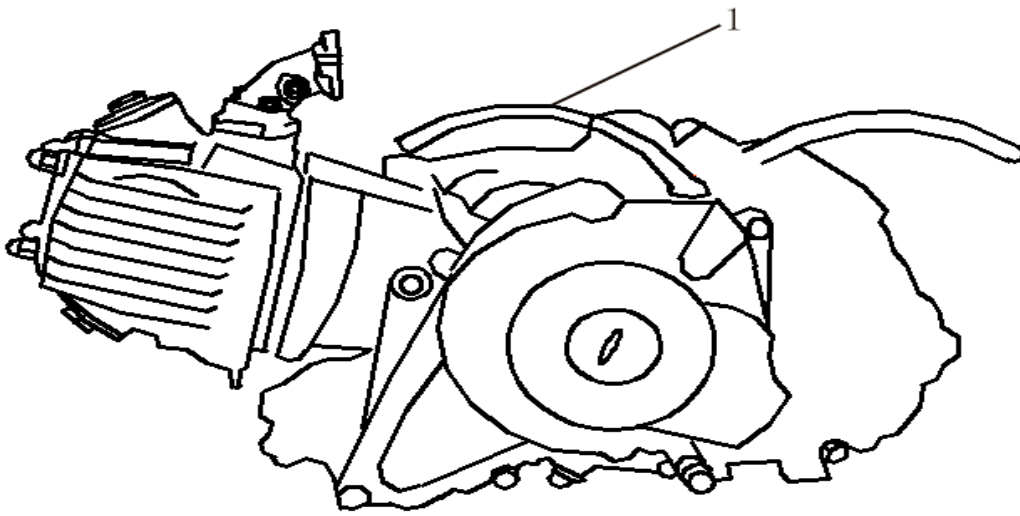


NO.	Sachs Part No.	DESCRIPTION	Q'TY
6	P4064905002001940	Separate Plate, Ratchet Wheel	1
7	P4064905002001950	Return Spring , Starting Shaft	1
9	P4064905002001970	Bolt M6*20	2
12	P4064905002002000	Snap Ring 18.7*1	2
13	P4064905002002010	Snap Ring 15*1	1
14	P4064905002002020	Starting Shaft Assy	1



No.	Sachs Part No.	Description	QTY
1	P4064905002002760	Carburetor Assy (50cc)	1
2	P4064905001004560	EINSTELLSCHRAUBEN	1
3	P4064905001004570	VERGASER SCHIEBER KPL	1
4	P4064905001004580	KAPPE	1
5	P4064905001004590	SCHWIMMER SET	1
6	P4064905001004600	SCHWIMMERKAMMER KPL	1
7	P4064905002002910	PILOT JET	1
8	P4064905002002920	NEEDLE JET	1
9	P4064905002002930	MAIN JET	1
10	P4064905002002940	STARTER ARM	1
12	P4064905002003030	SEAL FLOAT COVER	1

Engine Assy



No.	Sachs Part No.	Description	QTY
1	P406490010101015	Engine Assy(Silver,full wave)	1
1	P406490010101006	Engine Assy(Black dark,full wave)	1