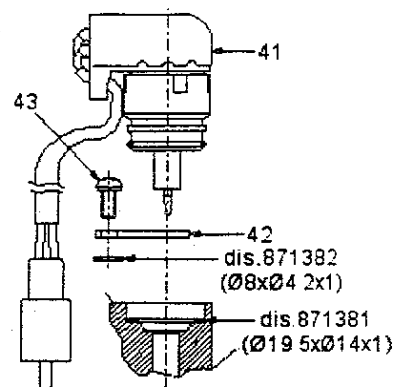


OBJECT: DRW 497522 IMPROVEMENT KIT FOR COLD STARTING IN ZIP 50 4-STROKE
Euro 2

CARBURETTOR INTERVENTION

- 1) pay attention to the installation direction of the automatic starting device (it will be necessary to remember this direction when reassembling)
 - 2) remove the starter cover
 - 3) remove screw (43) and retaining plaque (42) of the automatic starting device (41) attached to the carburettor body
 - 4) remove the automatic starting device (41)
 - 5) insert the plain metal washer (Ø19.5xØ14x1) drw 871381 in the automatic starting device housing
 - 6) reassemble the automatic starting device (41) in its housing and clamp it to the body with the plaque (42) and relevant Screw (43)
- WARNING:** insert a plain metal washer between body and plaque (42) (Ø8xØ4.2x1) drw 871382
- Position the automatic starting device as originally oriented
- 7) reassemble the starter cover
 - 8) adjust the position of the CO regulating screw so that it is open 2 ¼



INTERVENTION ON FILTER HOUSING

- 9) remove the pipe clamp (drw 709532) fixing the carburettor/filter manifold to the filter housing
- 10) unhook the carburettor/filter manifold from the filter housing
- 11) insert fully to the end the calibrating bushing drw 871174 (photograph 1) in the air inlet hole on the filter housing
- 12) reassemble the carburettor/filter manifold on filter housing and tighten it with the pipe clamp (drw 709532)

INTERVENTION ON ELECTRONIC STARTING DEVICE

- 13) replace the of electronic starting device (drw 638877) with drw 639978.
 Pay special attention when disassembling the H.V cable from the old electronic starting device and reassembling the new device and make sure the H.V. cable is correctly tightened to the control unit screw and the protection cover has been adequately reassembled on the control unit body.

OPERATION REFUND

Via the GGP software, enter a standard warranty using the M.O. 888172 code (70') and the kit drawing 497522

PHOTOGRAPH 1
FOTO 1
PHOTO 1

