



PIAGGIO & C.s.p.a.

Ape[®]

SPARE PARTS CATALOGUE



Ape 50 2009

Chassis prefix: ZAPC80000

Engine prefix: C000M

50 cc

N33K000X00

Index

Finished products.....	4
Alphanumeric index.....	5
Engine.....	10
Table 01.01 - Key.....	10
Table 01.02 - Engine, assembly.....	11
Table 01.04 - Engine gaskets.....	12
Table 01.05 - Crankcase.....	13
Table 01.06 - Crankshaft.....	14
Table 01.07 - Cylinder-pistston-wrist pin unit.....	15
Table 01.12 - Cylinder head cover.....	16
Table 01.18 - Oil pump.....	17
Table 01.20 - Stater - Electric starter.....	18
Table 01.21 - Flywheel magneto.....	19
Table 01.23 - Flywheel magneto cover - Oil filter.....	20
Table 01.28 - Rear transmission.....	21
Table 01.31 - Gear-box components.....	23
Table 01.32 - Gear lever.....	24
Table 01.34 - Clutch.....	25
Table 01.39 - Carburettor, assembly - Union pipe.....	26
Table 01.42 - Silencer.....	27
Table 01.45 - Air filter.....	28
Table 01.46 - Secondary air box.....	29
Frame - Plastic parts - Coachwork.....	30
Table 02.01 - Frame/bodywork.....	30
Table 02.02 - Front chassis/body.....	31
Table 02.03 - Side chassis/body.....	32
Table 02.04 - Rear chassis/body.....	33
Table 02.05 - Engine mounts.....	34
Table 02.10 - Tailboard - Glass.....	35
Table 02.11 - Cab - Doors.....	36
Table 02.12 - Cab components.....	39
Table 02.13 - Seat belts.....	40
Table 02.17 - Loading body open - Side boards.....	41
Table 02.19 - Loading box components.....	42
Table 02.27 - Windshield - Glass.....	43
Table 02.33 - Wheel huosing - Mudguard.....	44
Table 02.35 - Front flooring panel.....	45
Table 02.37 - Rear cover - Splash guard.....	46
Table 02.38 - Plates - Emblems.....	47
Table 02.39 - Saddle/seats - Tool roll.....	49
Table 02.40 - Front seats.....	50
Table 02.42 - Interior lining.....	51
Table 02.45 - Driving mirror/s.....	52

Table 02.46 - Locks.....	53
Table 02.47 - Fuel tank.....	54
Table 02.52 - Oil tank.....	55
Handlebars/Steering.....	56
Table 03.01 - Handlebars coverages.....	56
Table 03.02 - Meter combination - Cruscotto.....	57
Table 03.06 - Handlebars - Master cil.....	58
Suspensions - Wheels.....	59
Table 04.02 - Fork/steering tube - Steering bearing unit.....	59
Table 04.07 - Front suspension - Shock absorber/s.....	61
Table 04.10 - Rear suspension - Shock absorber/s.....	62
Table 04.13 - Front and rear wheels.....	63
Braking system - Transmissions.....	64
Table 05.02 - Brake jaw.....	64
Table 05.03 - Transmissions.....	66
Table 05.04 - Braking system.....	68
Table 05.05 - Control pedals - Levers.....	69
Table 05.07 - Parking brake.....	70
Electrical system.....	71
Table 06.01 - Selectors - Switches - Buttons.....	71
Table 06.03 - Front headlamps - Turn signal lamps.....	72
Table 06.04 - Rear headlamps - Turn signal lamps.....	73
Table 06.05 - Remote control switches - Battery - Horn.....	74
Table 06.06 - Voltage Regulators - Electronic Control Units (ecu) - H.T. Coil.....	75
Table 06.08 - Main cable harness.....	76
Table 06.16 - Front and rear windscreen wiper.....	77



50 cc
N33K000X00 - Ape 50 2009

Chassis prefix: ZAPC80000
Engine prefix: C000M

Finished products

Code	Validity
no finished product	



Code	No. table	Pos.	Code	No. table	Pos.	Code	No. table	Pos.
000267	01.06	9	008432	02.35	9	016407	01.12	9
000292	01.21	9	008432	02.42	10	016408	01.42	6
000397	01.05	17	008432	05.03	25	016408	02.03	8
000480	01.05	2	008432	05.05	2	016408	04.13	7
000584	01.05	3	008432	05.07	10	016408	05.02	32
000675	02.11	41	008455	02.33	20	016408	05.02	6
001508	01.31	8	008457	03.01	2	016410	01.28	37
001821	01.06	5	008499	01.05	16	016410	02.10	10
002383	02.12	22	009000	06.05	10	016410	04.07	6
002418	02.03	10	009101	01.31	10	016604	02.17	9
002438	02.12	23	011109	04.02	21	016670	02.11	25
002440	04.10	13	011753	01.31	3	016670	02.12	13
002800	05.02	1	012533	01.42	3	016670	02.12	18
003014	05.02	28	012533	06.06	5	016708	01.28	18
0030535	01.21	11	012535	02.05	3	017019	01.28	24
003054	02.02	10	012535	02.05	7	017503	05.03	6
003054	05.02	14	012536	05.04	12	018509	01.12	11
003054	06.05	12	012555	01.06	3	018509	01.23	3
003055	01.45	6	012761	02.17	7	018515	02.46	1
003056	01.20	2	012761	05.05	7	018536	02.11	53
003056	01.28	40	012768	02.11	5	018536	02.12	5
003056	02.03	17	012768	05.07	12	018536	02.42	3
003056	05.04	3	013763	02.11	57	018592	02.19	5
003056	06.06	4	013763	02.33	19	018639	01.28	47
003057	01.12	8	013836	02.33	14	018732	05.03	24
003058	02.10	12	013836	06.03	7	0193014	01.05	7
003058	05.02	15	013843	05.05	24	020006	02.03	11
003751	04.02	22	013861	01.42	7	020008	05.05	5
003916	01.07	8	013880	02.04	9	020104	05.02	13
004515	01.05	5	013880	02.33	2	020105	01.45	5
005955	01.28	29	013880	06.08	11	020105	02.11	33
005955	01.28	35	013950	02.04	10	020106	01.18	8
005962	01.32	6	013950	02.04	3	020106	01.20	4
005967	02.17	10	014246	04.02	24	020106	01.28	39
005967	05.03	27	014417	02.04	11	020106	01.39	22
005970	05.05	23	015559	01.12	10	020106	01.42	4
005970	05.07	7	015582	04.10	8	020106	02.04	13
006018	02.42	18	015584	01.05	4	020106	02.04	8
006379	01.31	17	015646	01.05	16	020106	05.04	4
006380	04.02	29	015647	01.05	16	020106	05.07	16
006425	01.31	9	015728	06.03	8	020106	06.06	6
006612	01.07	5	015728	06.05	11	020106	06.08	14
006627	01.28	11	015859	02.11	21	020106	06.08	7
006632	05.02	2	015859	02.11	42	020107	01.05	14
006646	01.28	15	015859	02.12	12	020107	01.07	9
006647	01.05	12	015859	02.12	15	020110	01.28	38
006647	01.31	5	015859	02.12	17	020110	02.05	2
006647	05.02	21	015911	02.11	29	020110	02.05	6
006706	01.32	1	015911	02.11	52	020110	04.10	11
006707	01.28	32	015911	02.12	16	020206	05.05	12
006710	01.34	12	015911	02.42	21	021110	04.07	5
006714	04.02	9	015935	01.46	7	021110	04.10	4
006731	04.02	18	015994	02.11	23	021112	01.06	2
006844	04.02	15	016036	01.05	6	021460	04.02	13
006965	01.21	8	016404	02.10	4	024201	02.11	8
006965	01.45	4	016405	01.21	10	025990	05.02	7
006977	01.05	15	016406	01.20	3	030062	01.28	42
006978	02.03	7	016406	01.28	41	030065	01.28	42
007035	01.31	1	016406	02.03	18	030077	05.05	19
007130	01.31	4	016406	02.04	14	030101	04.10	12
007608	04.02	5	016406	02.04	2	030104	01.28	36
007631	01.39	21	016406	02.47	11	031027	02.10	5
008112	01.12	2	016406	02.47	7	031056	01.21	12
008327	01.05	16	016406	05.04	2	031056	02.42	17
008420	01.05	16	016406	06.08	13	031058	01.18	9
008432	01.45	12	016406	06.08	8	031086	01.12	1
008432	02.11	10	016407	01.07	6	031086	02.10	7



Code	No. table	Pos.	Code	No. table	Pos.	Code	No. table	Pos.
031088	04.02	7	117027	01.28	31	1349026	01.31	19
031089	02.03	16	117401	05.03	10	136371	05.04	5
031089	02.33	3	117402	05.03	9	1368076	01.28	10
031089	02.47	8	117436T	05.02	22	136808	05.02	19
031089	06.06	3	117437T	05.02	23	137146	04.02	20
031091	02.04	4	117456	05.02	10	138345	01.05	18
031092	02.04	5	117457	05.02	34	138393	01.31	11
031116	01.42	5	117459	05.05	10	140275	01.39	18
031119	05.02	16	117464	05.05	18	140617	06.08	6
031120	05.05	11	1176124	05.07	6	141833	02.10	1
046699	01.28	44	117613	05.07	13	145298	01.21	13
057939	05.02	33	117614	05.07	14	145298	06.03	5
063440	05.04	11	117615	05.07	15	146197	01.18	7
074451	05.05	8	1176175	05.07	11	149104	02.03	12
074521	05.02	29	117675	05.07	9	150110	01.31	18
075962	05.03	1	118009	01.39	10	163015	06.04	2
076955	05.05	13	118058	05.02	11	164634	02.42	8
078307	01.12	3	118259	02.42	19	165417	01.31	11
078307	01.23	2	118578	02.04	6	165418	01.31	11
078597	01.32	8	118625	02.11	11	165449	01.31	14
078783	04.10	9	118648	02.04	12	165450	01.31	13
0789454	01.32	5	118652	02.10	6	165457	01.31	15
080341	06.08	4	118806	05.03	14	165945	01.34	11
085291	01.39	13	118872	02.04	15	168407	01.28	3
087975	01.45	3	118873	02.04	16	174523	05.04	8
090045	01.21	7	118917	02.17	5	174524	05.04	9
090131	01.05	10	119215	04.02	26	174525	05.04	6
090742	02.17	8	119216	04.02	30	174526	05.04	7
090878	05.02	9	119219	04.02	19	174874	04.07	2
098130	01.39	16	119344	01.28	33	174874	04.10	3
098135	01.39	17	119597	05.05	4	175074	02.11	19
098146	01.39	6	119801	01.28	12	177468	04.02	14
098148	01.39	15	119807	05.04	1	178558	02.46	4
098149	01.39	8	119839	02.33	16	178559	02.46	5
098433	01.39	11	119878	04.07	3	178562	02.46	3
099315	01.39	9	1199361	05.02	24	178745	02.42	2
101422	05.07	8	1199371	05.02	25	179116	01.20	1
109306	05.07	4	119940	05.02	26	179574	04.02	4
109309	05.07	5	119941	05.02	12	179575	04.02	6
109310	05.07	2	119981	01.28	4	181351	05.03	15
115817	02.10	2	119985	01.28	20	181746	06.03	14
116097	05.02	30	119987	01.28	43	181746	06.04	5
116112	05.02	36	119989	01.28	45	183321	05.03	2
116140	04.10	7	119995	01.45	9	184400	02.19	17
116146	01.28	9	120073	01.39	4	187305	02.11	40
116147	01.28	8	121539	06.03	11	188636	05.03	5
116195	01.28	46	123389	03.06	12	189320	02.47	14
116229	01.28	28	123390	03.06	20	190479	02.11	56
116238	01.28	22	123391	03.06	9	190567	02.01	6
116240	01.28	19	123394	03.06	14	191962	02.04	1
116241	01.28	16	125083	01.31	2	193109	01.06	1
116298	03.06	4	1252535	05.03	8	193878	01.21	6
116376	01.32	7	125254	05.03	11	194721	02.40	6
116378	01.32	3	125256	05.03	7	195482	06.16	5
116379	01.32	2	125647	05.03	12	196549	01.21	4
116441	05.02	27	126283	01.28	13	196694	01.39	5
116627	02.17	6	126409	04.02	11	196868	02.47	15
116635	02.11	12	126410	05.02	4	196868	02.52	4
116693	01.28	30	126612	03.06	3	1981012	02.10	9
116695	01.28	6	127050	01.39	3	199190	02.12	19
116733	04.10	6	127071	05.03	26	199500	01.21	2
116736	01.28	26	127350	02.05	4	213550	05.05	17
116737	01.28	27	127966	06.08	3	214772	05.05	14
116742	01.28	25	1280795	05.02	17	214801	06.05	3
116869T	02.05	5	128080	05.02	20	216021	02.27	2
116946	02.12	21	128217	01.28	2	217100	02.42	9
117024	01.28	34	132233	01.07	3	217166	02.10	13



Code	No. table	Pos.	Code	No. table	Pos.	Code	No. table	Pos.
217292	06.08	12	257134	01.45	10	277916	01.34	5
217421	06.08	16	257134	01.45	8	2854215	01.28	7
2180605	06.06	2	258161	02.47	2	285422	01.31	12
218988	06.08	17	258407	02.33	13	2854245	01.28	14
219871	05.05	15	258637	02.35	2	2855124	01.28	5
222429	01.05	8	258639	05.05	22	2859741	01.34	17
226352	03.06	2	258641	05.05	25	2860135	01.34	16
227687	01.05	13	258646	05.03	13	2860144	01.34	18
227983	06.03	3	258656	05.07	1	286018	01.34	20
228663	04.13	3	258657	05.07	3	286019	01.34	19
229741	03.06	23	258827	05.05	20	2860245	01.34	4
229741	03.06	7	259264	02.11	45	286101	01.34	10
229935	03.06	8	260232	04.13	5	2862975	01.34	21
231095	01.21	5	260467	04.10	10	286406	01.34	3
231571	06.08	15	260467	04.10	5	286889	01.39	19
231726	02.27	5	260569	01.45	1	288507	01.34	8
2325715	02.02	4	261400	04.02	16	288837	01.42	2
232679	02.27	6	261401	02.12	14	2892325	01.28	23
2334725	02.35	3	261402	02.12	20	289305	01.05	11
234268	01.45	7	261405	02.11	13	289306	01.05	9
234471	02.27	3	261406	03.01	1	289613	01.34	15
2351043	01.21	1	261409	02.11	54	2898776	01.34	14
235598	01.07	4	261476	03.06	16	2898935	01.34	13
239275	01.34	7	261688	03.06	21	290944	06.04	3
240106	06.05	13	261689	03.06	10	291530	02.47	1
2411493	02.05	1	263381	02.03	6	291582	02.46	2
2425815	01.31	16	2640735	02.02	6	292364	06.01	4
2432740001	01.07	2	2640745	02.02	7	294131	06.03	10
2432740002	01.07	2	264081	02.35	7	294144	06.03	9
2432740003	01.07	2	264082	02.35	6	294145	06.03	15
2432740004	01.07	2	264087	06.03	12	294146	06.03	16
243275	01.07	2	264088	06.03	13	294370	06.01	3
243276	01.07	2	264089	02.38	1	294387	06.03	6
243277	01.07	2	264091	06.05	14	294398	06.01	5
243831	01.45	11	264097	02.33	9	294917	06.01	1
2441285	06.08	5	264110	02.35	8	295331	01.45	2
244297	01.31	7	264151	02.35	5	297498	02.02	9
244395	01.12	5	264165	02.33	8	297498	02.11	55
244474	02.33	6	264252	02.12	11	297498	02.33	15
244474	02.37	2	264520	02.12	3	297791	06.05	5
244708	01.39	7	264740	02.19	14	298930	02.33	7
2452375	01.06	6	264741	02.19	11	311163	01.18	4
2457652	05.04	10	264742	02.19	13	401605	06.08	9
246387	02.10	8	264743	02.19	10	401606	06.08	10
246616	02.10	3	264778	02.19	12	414131	05.02	37
2466335	05.05	3	264783	02.19	18	414837	01.34	6
2469845	02.04	7	264785	02.19	2	414837	04.02	12
247446	05.05	1	264948	02.19	6	4344715	01.28	21
247653	01.39	12	264949	02.19	7	4344725	01.28	17
2485145	01.28	1	265249	03.06	11	434735	05.02	18
249519	05.05	9	265249	03.06	18	4363955	01.31	6
2497595	04.13	1	265728	03.06	17	478533	01.46	2
254246	06.03	17	265858	03.06	13	482746	01.18	5
254485	02.52	8	265861	03.06	19	482747	01.18	6
255661	04.13	4	267495	05.02	35	482748	01.06	4
255799	02.47	13	2682270001	05.02	40	486279	01.12	6
255800	02.47	12	2682270002	05.02	40	486942	01.46	3
255988	02.03	13	2682270003	05.02	40	486943	01.46	4
256074	02.47	17	269571	05.03	17	487391	01.34	1
2560755	02.35	4	2705065	05.02	38	487763	01.32	4
256194	06.04	4	2705075	05.02	39	493537	01.04	1
256309	01.21	3	271976	05.03	20	498347	01.39	23
256382	02.12	6	271977	05.03	16	500501	01.06	8
256382	02.42	4	272382	03.06	6	500502	01.06	8
256415	02.47	6	273419	04.02	2	500503	01.06	8
256416	02.47	5	274246	04.02	3	500504	01.06	8
257094	02.10	11	274249	04.02	8	55568R	02.39	1



Code	No. table	Pos.	Code	No. table	Pos.	Code	No. table	Pos.
561865	02.39	2	567610	02.11	43	658221	02.11	38
56500R	04.13	2	567839	02.37	3	658222	02.11	30
56537R	02.13	1	5680565001	04.02	17	658223	02.11	31
5653886	02.17	4	5680565002	04.02	17	660543	02.11	9
565413	02.12	9	5680565003	04.02	17	660950	06.16	3
565418	02.12	8	568254	02.47	16	661174	02.03	1
565429	02.42	6	568610	02.02	5	661178	02.27	4
565547	06.03	4	568614	06.16	4	709037	05.05	21
565561	02.42	7	568636	05.05	16	709041	05.02	3
565869	02.19	3	56877800E9	02.03	3	709674	02.47	10
565940	02.12	1	56878000E9	02.03	2	810688	02.03	9
566484	05.03	21	568790	06.16	2	810688	04.13	6
566485	03.06	5	568791	06.16	9	810688	05.02	31
566871	02.39	3	568792	02.03	15	810688	05.02	5
566918	02.19	8	568931	04.02	25	813173	01.39	14
566919	02.19	20	568932	04.02	23	82606R	01.18	1
566920	02.19	1	568933	04.02	28	826911	01.07	7
566924	02.19	15	568934	04.02	27	827208	01.46	9
566925	02.19	21	568939	02.42	20	827209	01.46	5
566926	02.19	9	569215	03.06	22	827443	01.46	11
566941	02.19	4	569383	02.19	16	827444	01.46	10
566960	02.52	1	569384	02.19	19	82758R	01.46	6
566962	02.52	6	569562	02.38	3	828679	01.07	1
566990	02.11	32	569564	02.38	4	831859	01.46	1
5669975	03.06	1	569614	02.45	2	8339575	01.02	1
567066	06.03	1	569615	02.45	1	833958	01.05	1
567083	05.03	3	573080	02.52	2	8341685	01.02	2
567084	02.02	8	574362	02.52	3	834295	01.12	4
567103	05.03	18	575249	02.52	7	834751	01.23	1
567104	05.03	19	577557	02.47	19	834870	01.39	1
567106	06.04	6	577557	02.52	5	834980	01.12	7
5671115	02.35	1	580659	06.08	18	836399	02.45	3
567148	02.11	17	580886	02.42	15	840078	01.42	1
567149	02.11	18	580887	02.42	14	8462675	01.06	7
567152	02.11	7	580888	02.42	13	871561	01.34	2
567154	02.11	6	58090R	06.06	1	871576	01.34	9
567166	02.11	22	580953	03.06	15	873214	01.39	20
567168	02.33	1	58096R	06.06	1	9165160620000	02.40	5
567169	02.33	11	58115R	06.06	7	9356055014000	02.12	2
567170	02.33	12	582016	06.16	1	9356055014000	02.12	4
567174	02.11	24	584097	06.01	2	9451100800000	05.05	6
567177	02.33	5	600697M	06.05	1	B000719	03.02	1
567178	02.33	4	611872	06.16	6	B004721	06.16	8
567179	02.11	28	612461	02.47	3	B004722	06.16	7
567180	02.37	1	612757	02.27	1	B007029	02.38	5
567185	02.11	27	612790	05.03	4	B007030	02.38	6
567191	02.42	1	612791	01.39	2	B007031	02.38	7
567192	06.04	1	612844	02.33	17	B007032	02.38	8
567194	02.42	12	613927	02.38	2	B007033	02.38	9
567195	02.12	7	642204	01.21	1	B007034	02.38	10
567196	02.42	11	642205	01.21	2	B007035	02.38	11
567198	04.02	10	642219	06.08	5	B007036	02.38	12
567199	04.02	1	6447525	02.11	1	B007037	02.38	13
567231	06.03	2	6447525	02.11	3	B007038	02.38	14
567314	05.02	8	6447535	02.11	2	B007039	02.38	15
567424	06.05	6	6447535	02.11	4	B007040	02.38	16
567426	06.05	2	644754	02.11	16	B007041	02.38	17
567427	04.07	4	644767	02.11	14	B007042	02.38	18
567427	04.10	2	644768	02.11	15	B007043	02.38	19
567558	02.11	44	645581	06.05	4	B007044	02.38	20
567601	02.11	36	646259	02.11	39	B007045	02.38	21
567602	02.11	37	646463	04.07	1	B007046	02.38	22
567603	02.11	46	646464	04.10	1	B007047	02.38	23
567604	02.11	35	658205	05.03	22	B007048	04.13	1
567605	02.11	20	658206	05.03	29	B007050	04.13	1
567606	02.11	34	658207	05.03	23	B007056	02.40	1
567607	02.11	47	658208	05.03	28	B007057	02.40	2



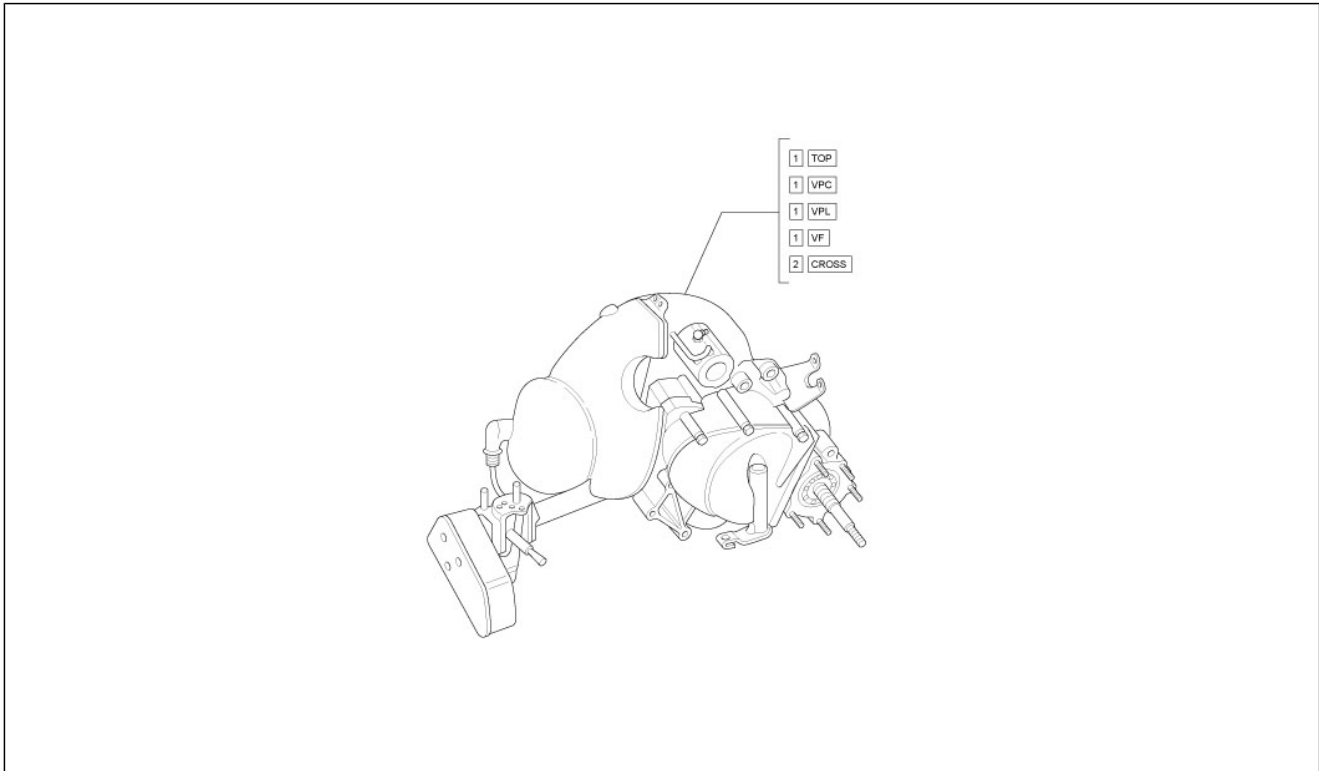
Code	No. table	Pos.
B007058	02.11	50
B007059	02.11	51
B007060	02.12	10
B007061	02.11	48
B007062	02.11	49
B007063	02.40	1
B007064	02.40	2
B007065	02.12	10
B007066	02.38	24
B007067	02.38	25
B007070	02.03	2
B007071	02.37	1
B007102	02.38	26
B007160	06.08	12
B007237	06.08	1
B015238	01.39	1
B016285	01.05	1
CM001905	01.46	8
CM002503	02.47	18
CM002907	02.47	9
CM017402	02.42	5
CM017408	02.33	18
CM017408	02.42	22
CM017410	02.11	26
CM017416	02.33	10
CM030703	02.11	49
CM030704	02.11	48
CM030705	02.11	51
CM030706	02.11	50
CM030802	02.40	3
CM030803	02.40	4
CM031002	02.12	10
CM031101	02.42	16
CM0314016	02.17	12
CM0314026	02.17	14
CM0314036	02.17	11
CM0314045	02.17	13
CM031502	02.40	1
CM031503	02.40	2
CM031701	02.47	4
CM03450100E9	02.03	4
CM03450200E9	02.03	5
CM035602	06.08	1
CM035801	06.08	2
CM0362015	02.01	2
CM0362025	02.01	3
CM0362035	02.01	5
CM0362045	02.01	1
CM0362055	02.01	4
CM0363015	02.17	2
CM0363025	02.17	1
CM0363045	02.17	3
CM0364015	02.02	1
CM0364025	02.02	2
CM0364035	02.02	3
CM061801	06.05	8
CM061802	06.05	7
CM071807	06.05	9
CM101509	01.18	3
CM101605	01.18	2
D9004871033	02.03	14

Group	Engine
Code	01.01
Description	Key
Service	1

	ITA	ENG	FRA	DEU
TOP	Versione "TOP"	"TOP" Version	Version "TOP"	"TOP" Version
CROSS	Versione "CROSS"	"CROSS" Version	Version "CROSS"	"CROSS" Version
VF	Furgone	Van	Fourgon	Kastenwagen
VPC	Pianale corto	Short bed	Plateau court	Kurze ritsche
VPL	Pianale lungo	Long bed	Plateau long	Lange ritsche
DX	Destra	Right	Droite	Rechts
SX	Sinistra	Left	Gauche	Links
	ESP	P.T	NLD	ELL
TOP	Versión "TOP"	Versão "TOP"	Versie "TOP"	Έκδοση "TOP"
CROSS	Versión "CROSS"	Versão "CROSS"	Versie "CROSS"	Έκδοση "CROSS"
VF	Furgón	Furgão	Bestelwagen	Κλειστό φορτηγάκι
VPC	Plataforma corta	Plataforma curta	Kort vlak	Ανατρεπόμενη κοντή
VPL	Plataforma larga	Plataforma longa	Lang vlak	Ανατρεπόμενη μακριά
DX	Derecha	Direita	Rechts	Δεξιά
SX	Izquierda	Esquerda	Links	Αριστερά

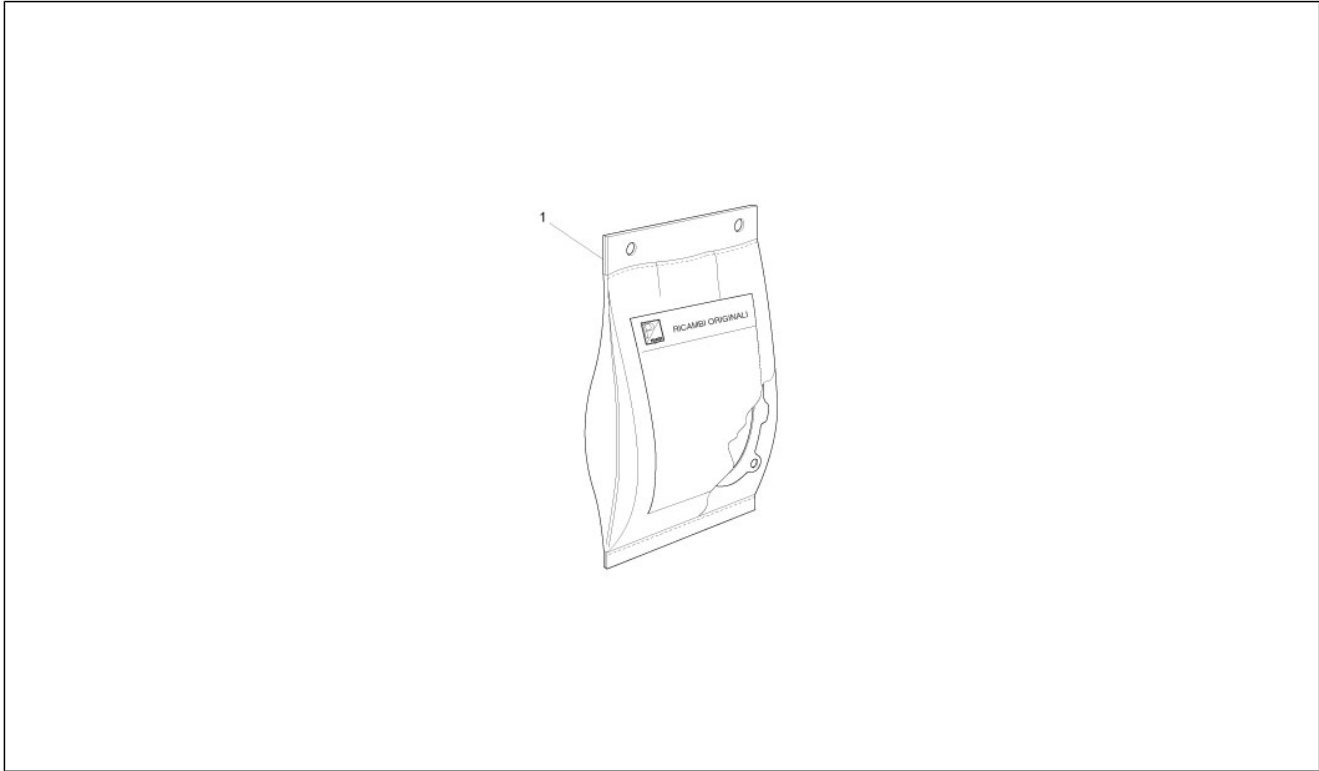
Pos.	Code	Description	Qty	Variants
------	------	-------------	-----	----------

Group	Engine
Code	01.02
Description	Engine, assembly
Service	1



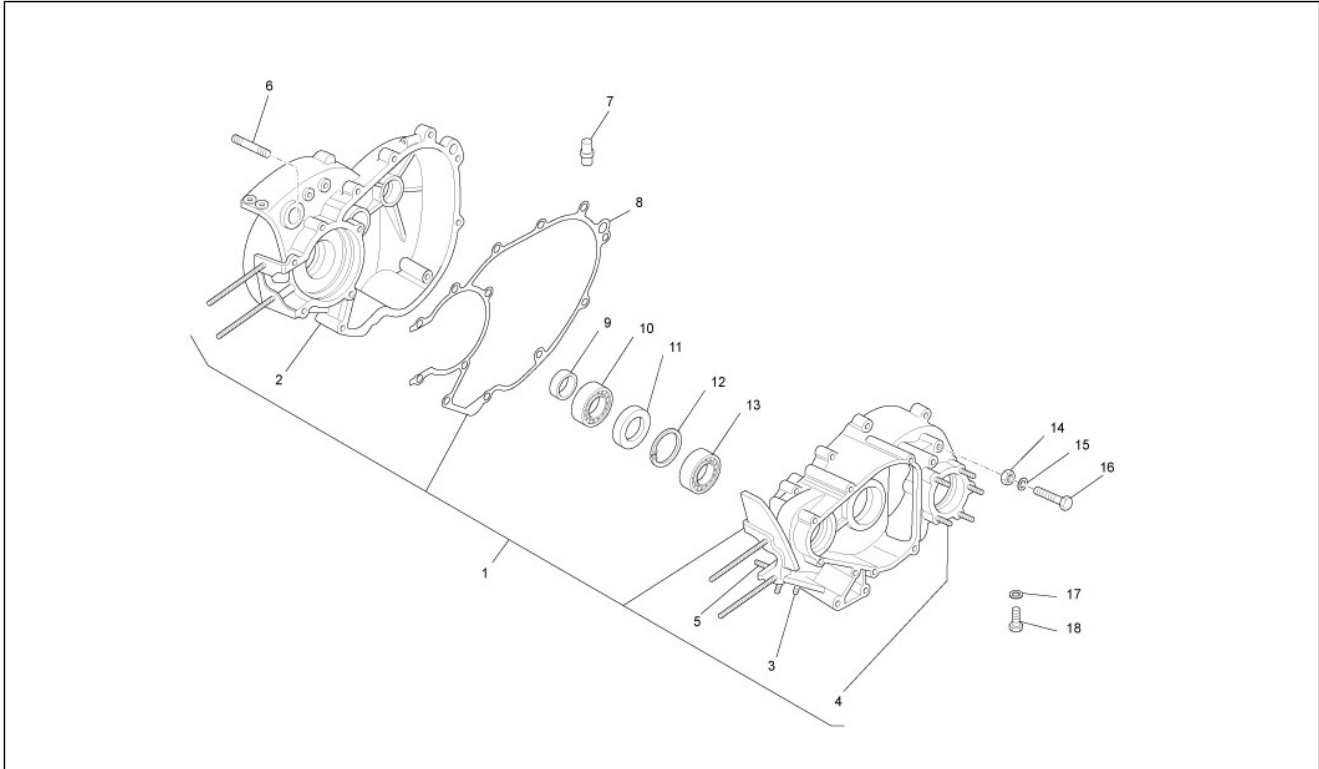
Pos.	Code	Description	Qty	Variants
1	8339575	*** (D) MOT.APE 50 2T	1	
2	8341685	*** MOT.APE 50 2T	1	

Group	Engine
Code	01.04
Description	Engine gaskets
Service	1



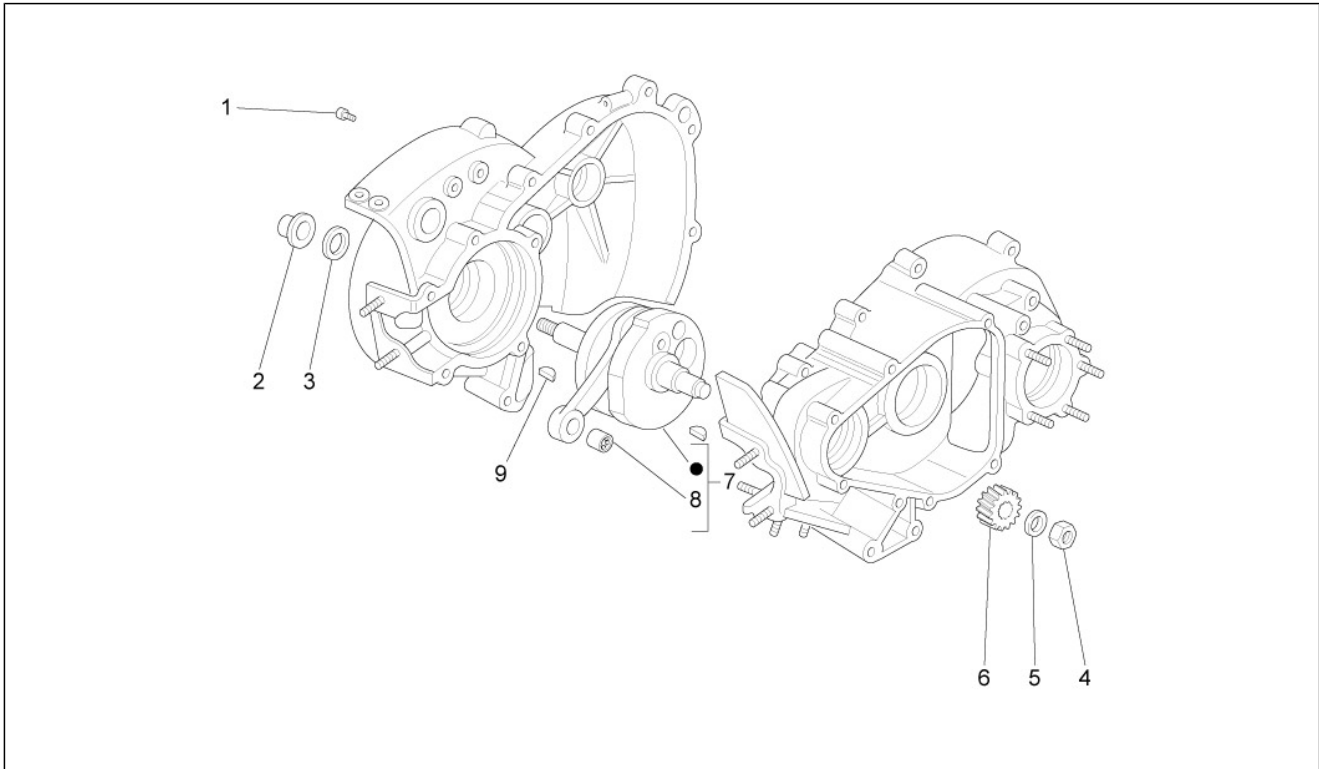
Pos.	Code	Description	Qty	Variants
1	493537	***KIT GUARNIZ**	1	

Group	Engine
Code	01.05
Description	Crankcase
Service	1



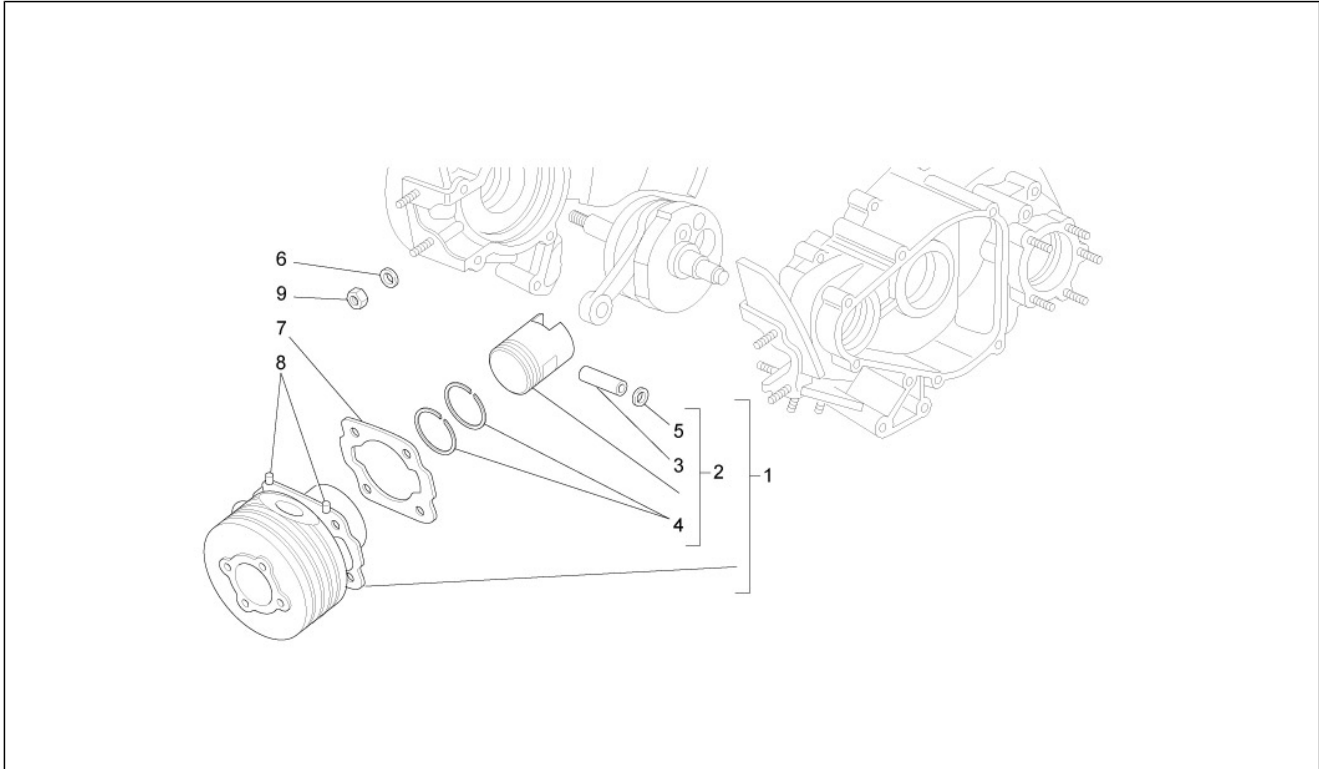
Pos.	Code	Description	Qty	Variants
1	833958	Crankcase assembly	1	
1	B016285	Crankcase assembly	1	
2	000480	Stud bolt	4	
3	000584	Stud bolt	3	
4	015584	screw	5	
5	004515	Stud bolt	2	
6	016036	Stud bolt	2	
7	0193014	Breather	1	
8	222429	Gasket	1	
9	289306	Ring	1	
10	090131	Bearing	1	
11	289305	Ring	1	
12	006647	Circlip	1	
13	227687	Bearing	1	
14	020107	Nut	4	
15	006977	Washer	13	
16	008327	Bolt	1	
16	008420	Bolt	6	
16	008499	Bolt	1	
16	015646	Bolt	2	
16	015647	Bolt	1	
17	000397	Gasket	2	
18	138345	Oil plug	2	

Group	Engine
Code	01.06
Description	Crankshaft
Service	1



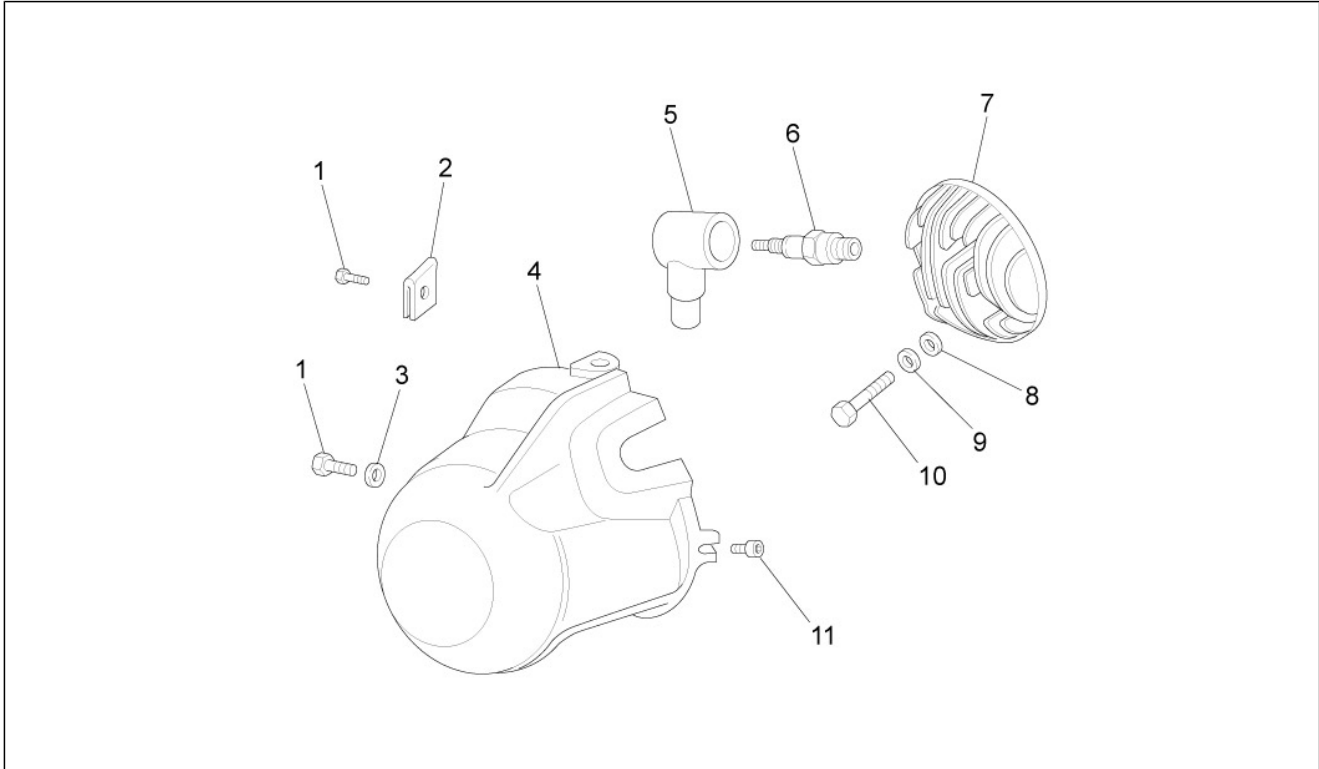
Pos.	Code	Description	Qty	Variants
1	193109	Cover	2	
2	021112	Nut	1	
3	012555	Washer	1	
4	482748	Nut	1	
5	001821	Washer	1	
6	2452375	Drive gear	1	
7	8462675	***CRANKSHAFT	1	
8	500501	Pin cage 1 cat.	1	
8	500502	Pin cage 2 cat.	1	
8	500503	Pin cage 3 cat.	1	
8	500504	Pin cage 4 cat.	1	
9	000267	Transmission key	1	

Group	Engine
Code	01.07
Description	Cylinder-piston-rist pin unit
Service	1



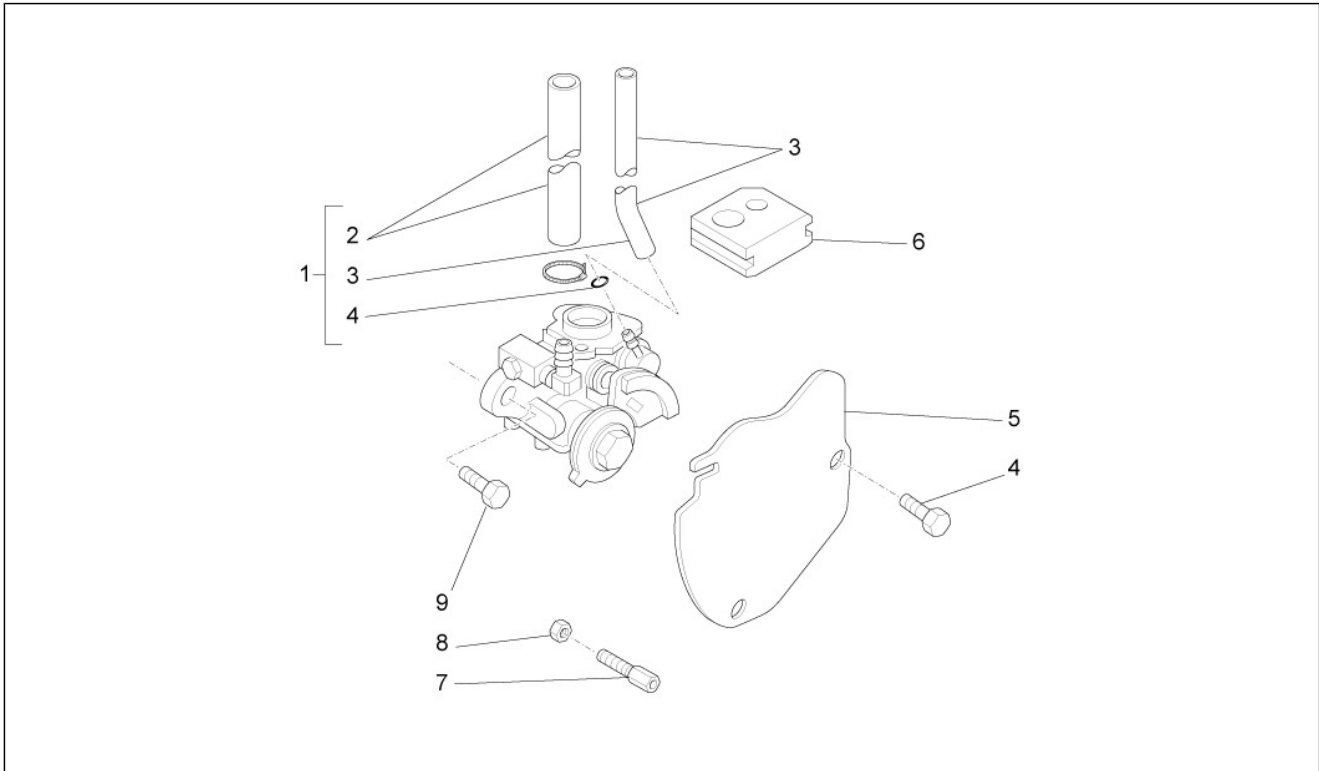
Pos.	Code	Description	Qty	Variants
1	828679	Cylinder bucket gudgeon	1	
2	2432740001	Pist.-wrist pin assy.	1	
2	2432740002	Pist.-wrist pin assy.	1	
2	2432740003	Pist.-wrist pin assy.	1	
2	2432740004	Pist.-wrist pin assy.	1	
2	243275	Pist.-wrist pin assy.	1	
2	243276	Pist.-wrist pin assy.	1	
2	243277	Pist.-wrist pin assy.	1	
3	132233	Piston pin	1	
4	235598	Gasket ring	2	
5	006612	Snap ring	2	
6	016407	Washer	8	
7	826911	Cylinder gasket	1	
8	003916	Stud bolt	2	
9	020107	Nut	4	

Group	Engine
Code	01.12
Description	Cylinder head cover
Service	1



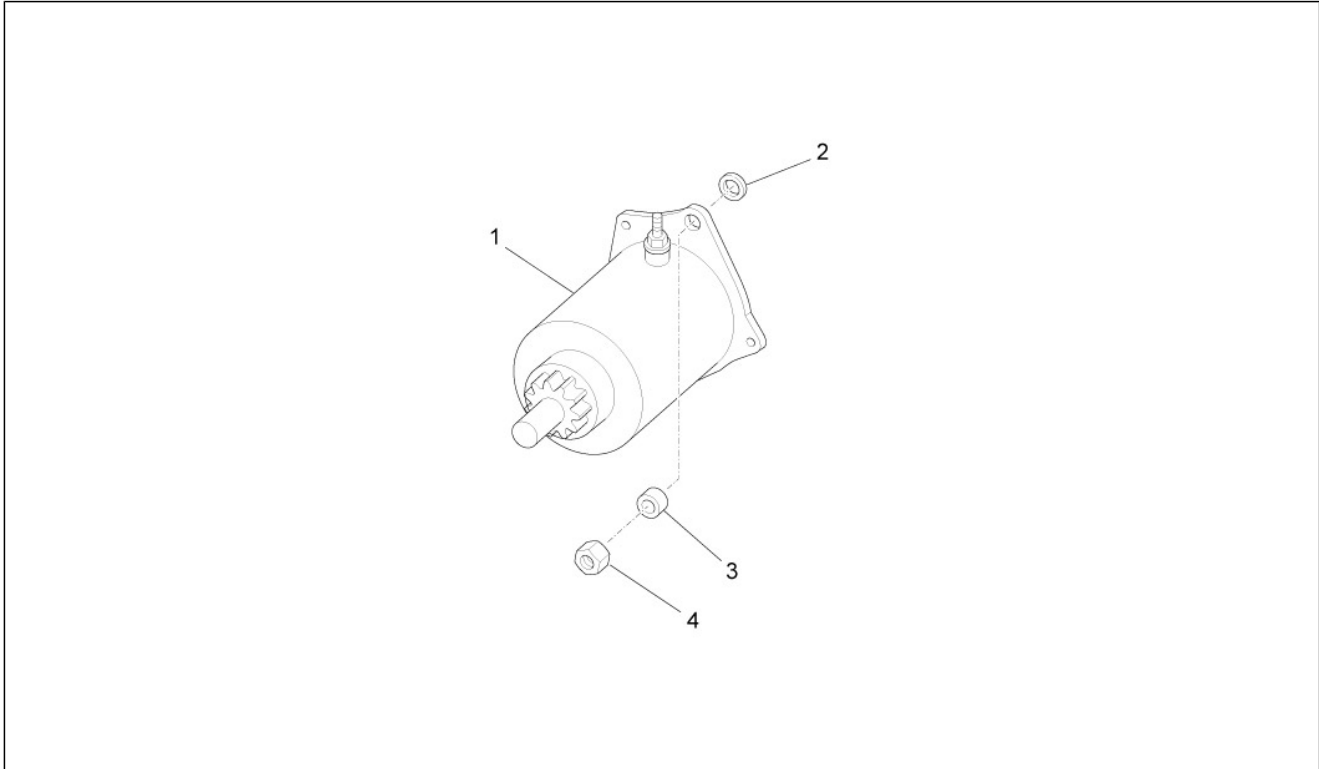
Pos.	Code	Description	Qty	Variants
1	031086	Screw m6x12	2	
2	008112	Plate	1	
3	078307	Washer	2	
4	834295	***CUFFIA DI RAFF	1	
5	244395	Cap	1	
6	486279	Spark plug	1	
7	834980	Cylinder head	1	
8	003057	Washer	4	
9	016407	Washer	8	
10	015559	Bolt	4	
11	018509	screw	5	

Group	Engine
Code	01.18
Description	Oil pump
Service	1



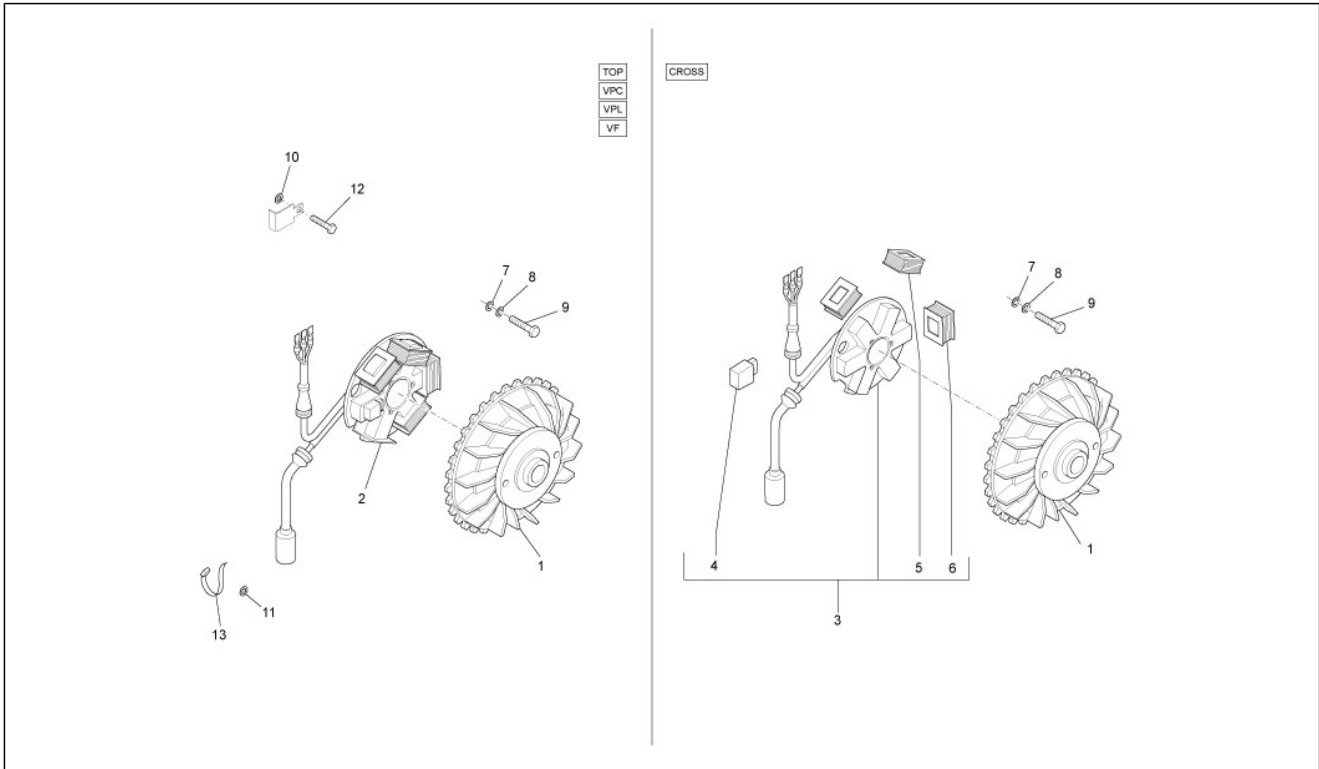
Pos.	Code	Description	Qty	Variants
1	82606R	Oil pump	1	
2	CM101605	Oil outlet pipe	1	
3	CM101509	Oil inlet pipe	1	
4	311163	Gasket	1	
5	482746	Cover	1	
6	482747	Fairlead	1	
7	146197	Adjuster screw	1	
8	020106	Nut M6	1	
9	031058	screw M5x16	2	

Group	Engine
Code	01.20
Description	Stater - Electric starter
Service	1



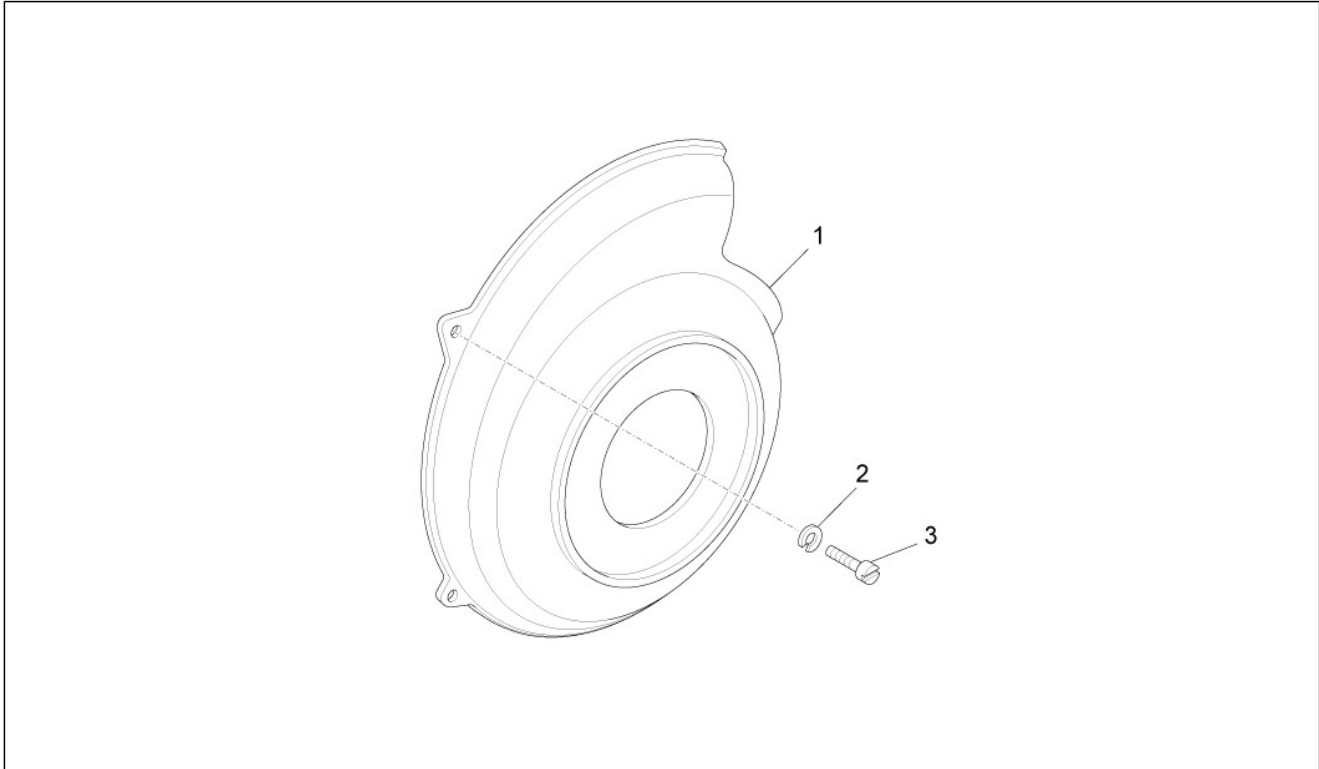
Pos.	Code	Description	Qty	Variants
1	179116	Starter motor	1	
2	003056	Flat washer 6,4x12x1	2	
3	016406	Spring washer 6,4x11,8x1	2	
4	020106	Nut M6	2	

Group	Engine
Code	01.21
Description	Flywheel magneto
Service	1



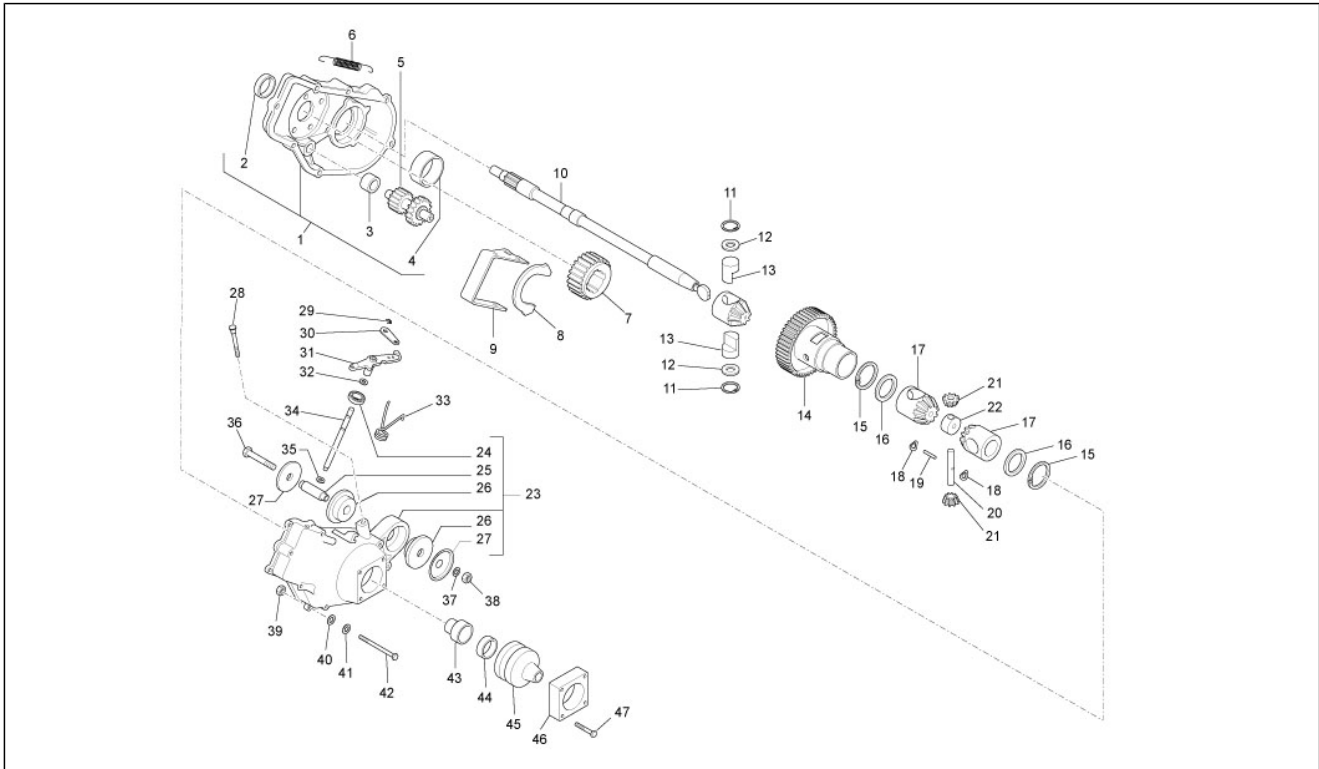
Pos.	Code	Description	Qty	Variants
1	2351043	Rotor with fan	1	
1	642204	Rotor, assy.	1	
2	199500	Coil support	1	
2	642205	Backplate, assy	1	
3	256309	Stator assy	1	
4	196549	Pick-up	1	
5	231095	Coil	1	
6	193878	Coil MITSUBA	1	
7	090045	Washer	3	
8	006965	Washer 5.3x10x10	3	
9	000292	screw	3	
10	016405	Spring washer 8,5x5,1x1,5	1	
11	0030535	Washer	1	
12	031056	screw M5x12	1	
13	145298	Lock-strap	1	

Group	Engine
Code	01.23
Description	Flywheel magneto cover - Oil filter
Service	1



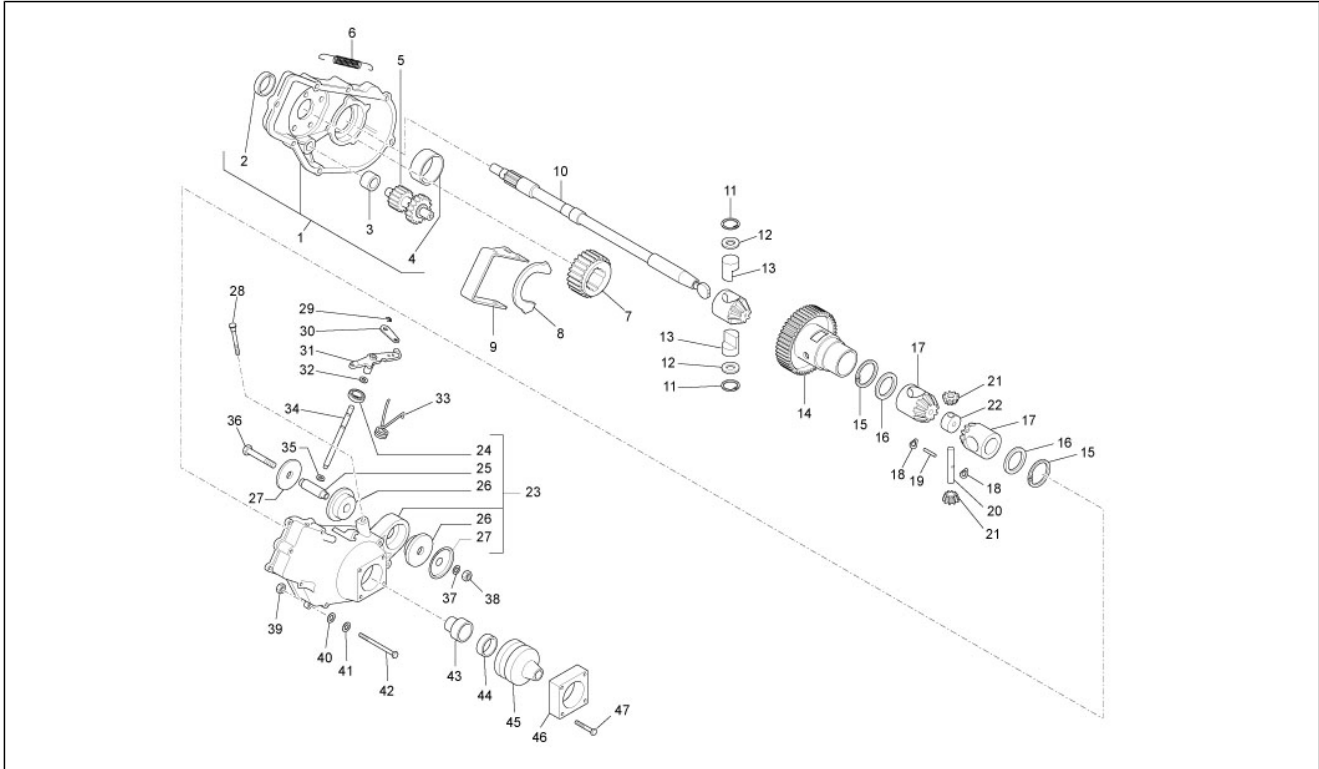
Pos.	Code	Description	Qty	Variants
1	834751	***COVER	1	
2	078307	Washer	2	
3	018509	screw	5	

Group	Engine
Code	01.28
Description	Rear transmission
Service	1



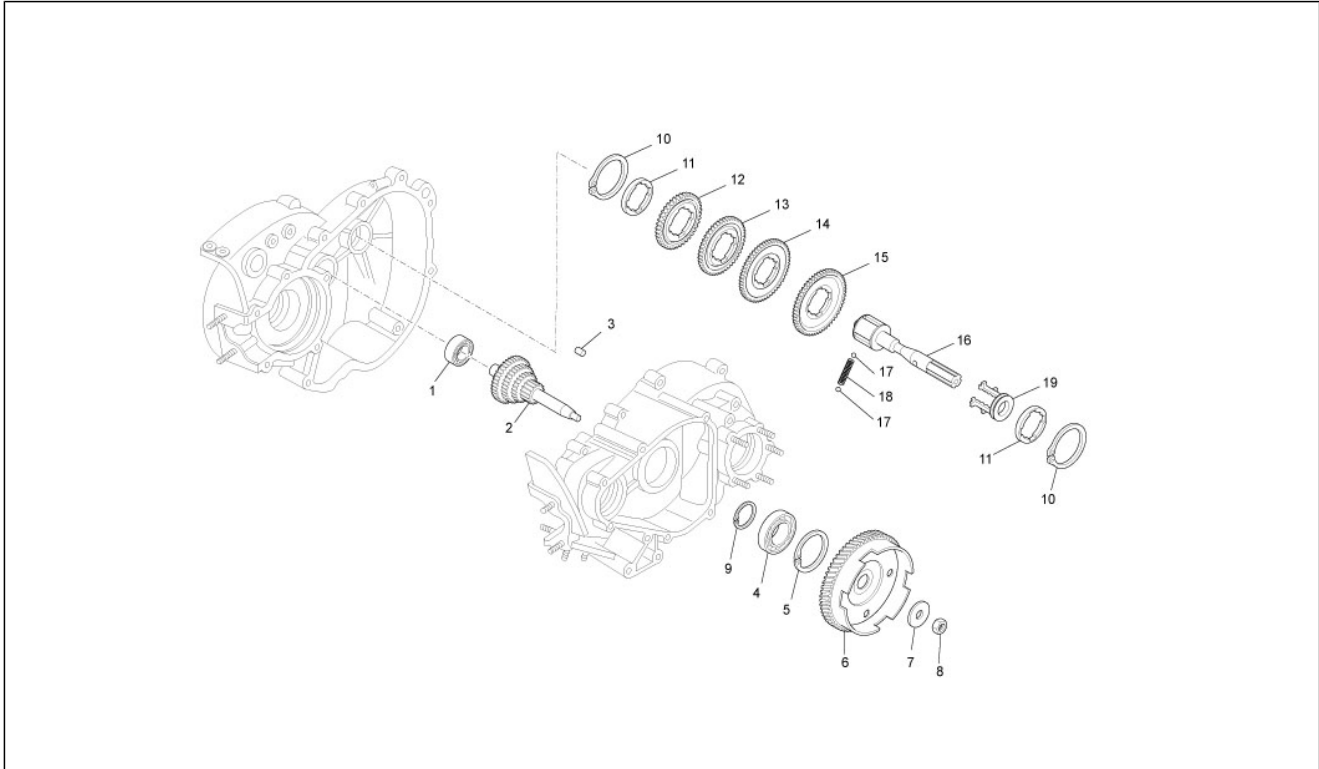
Pos.	Code	Description	Qty	Variants
1	2485145	Crankcase	1	
2	128217	Ring	1	
3	168407	Roller cage	1	
4	119981	Bushing	1	
5	2855124	Full gear	1	
6	116695	Spring	1	
7	2854215	Sliding pinion	1	
8	116147	Sliding block	1	
9	116146	Front fork	1	
10	1368076	Axle shaft	1	
11	006627	Circlip	4	
12	119801	Washer	4	
13	126283	Pin	4	
14	2854245	Differential case	1	
15	006646	Ring	2	
16	116241	Washer	2	
17	4344725	Planetary gear	2	
18	016708	Circlip	2	
19	116240	Pin	1	
20	119985	Pin	1	
21	4344715	Gear	2	
22	116238	Spacer	1	
23	2892325	Crankcase	1	
24	017019	Oil seal	1	
25	116742	Bush	1	
26	116736	Ring	2	
27	116737	Washer	2	
28	116229	Cover	1	

Group	Engine
Code	01.28
Description	Rear transmission
Service	1



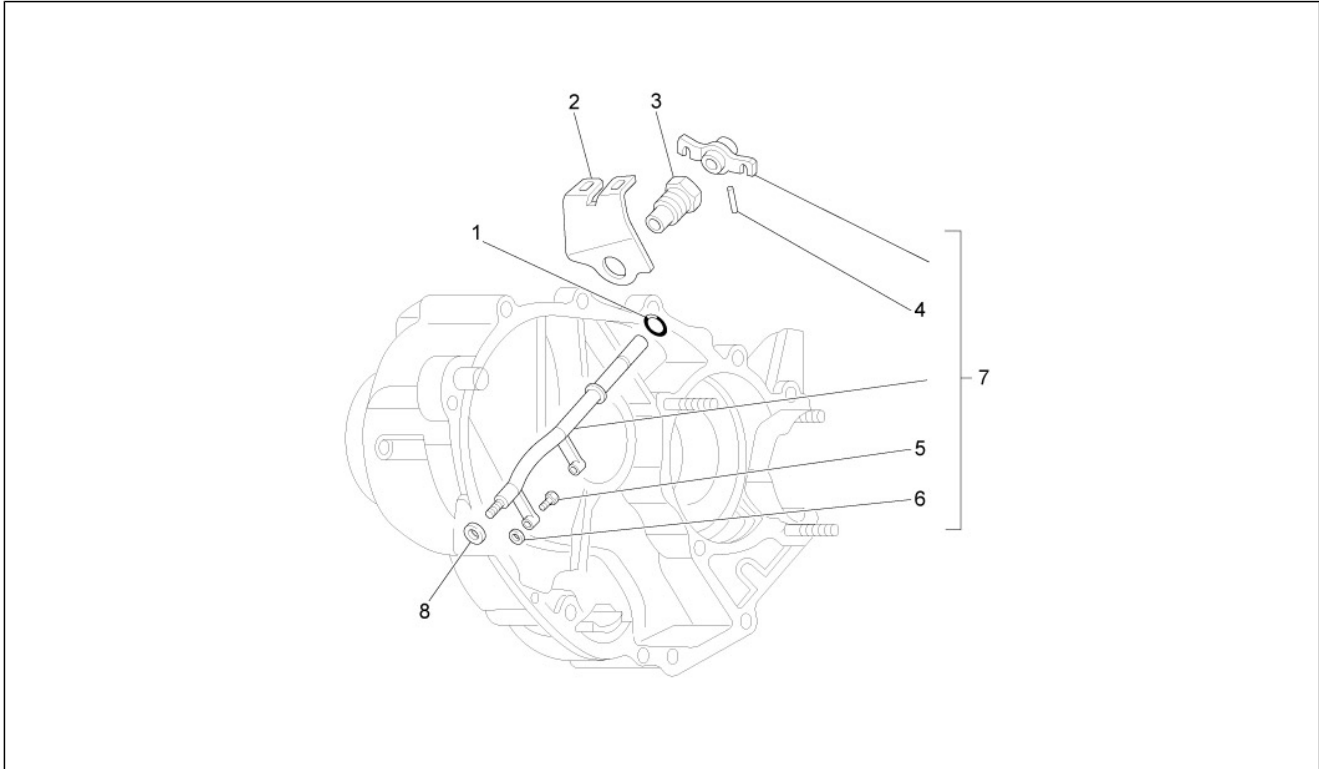
Pos.	Code	Description	Qty	Variants
29	005955	Ring	1	
30	116693	Lever	1	
31	117027	Lever	1	
32	006707	Gasket	1	
33	119344	Spring	1	
34	117024	Pin	1	
35	005955	Ring	1	
36	030104	screw	1	
37	016410	Washer 17,6x11x2,5	1	
38	020110	Nut	1	
39	020106	Nut M6	8	
40	003056	Flat washer 6,4x12x1	8	
41	016406	Spring washer 6,4x11,8x1	8	
42	030062	screw	1	
43	030065	screw	7	
44	119987	Bushing	1	
45	046699	Ring	1	
46	119989	Guard	1	
47	116195	Plug	1	
47	018639	Hex screw M6x20	8	

Group	Engine
Code	01.31
Description	Gear-box components
Service	1



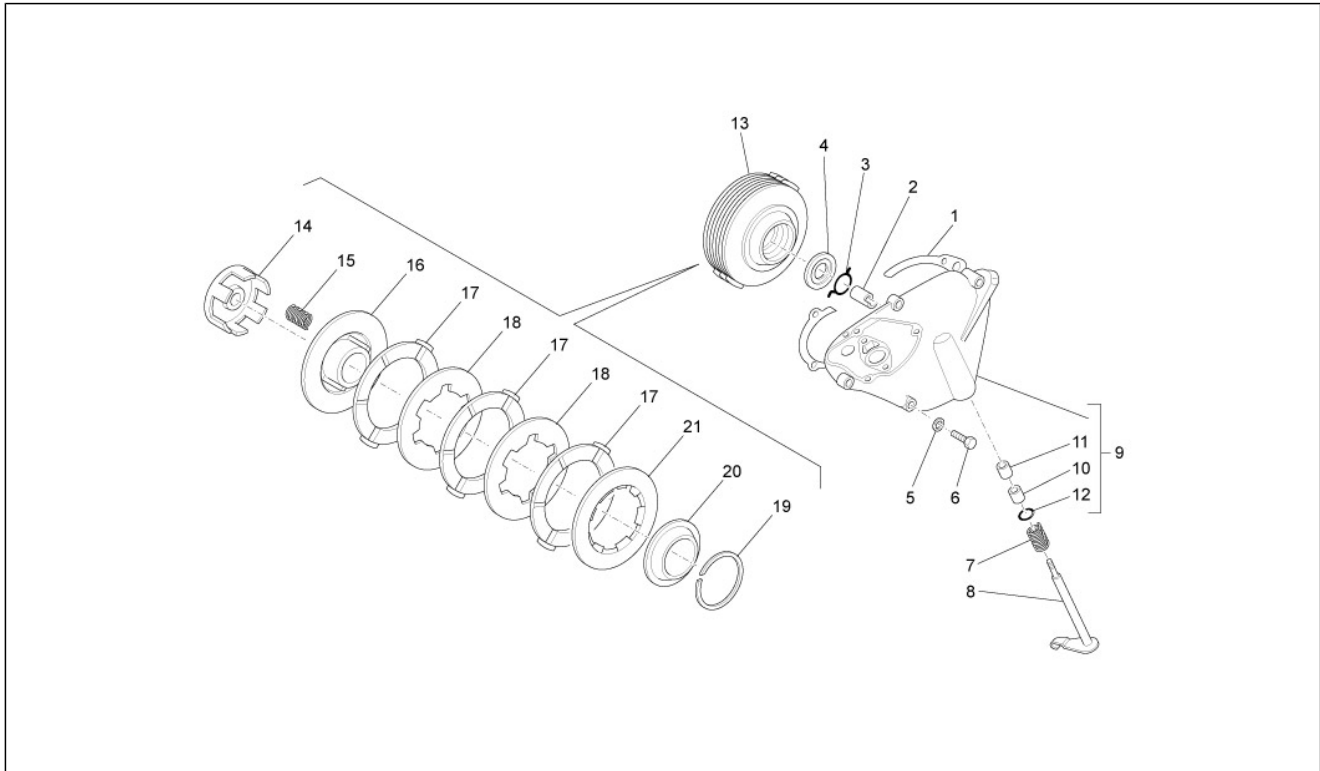
Pos.	Code	Description	Qty	Variants
1	007035	Bearing	1	
2	125083	Gear	1	
3	011753	Transmission key	1	
4	007130	Bearing	1	
5	006647	Circlip	1	
6	4363955	Helical gear teeth	1	
7	244297	Washer	1	
8	001508	Nut	1	
9	006425	Ring	1	
10	009101	Ring	2	
11	138393	Ring	1	
11	165417	Ring	1	
11	165418	Ring	1	
12	285422	Fourth speed gear	1	
13	165450	Gear	1	
14	165449	Gear	1	
15	165457	Gear	1	
16	2425815	Shaft engine	1	
17	006379	Ball	2	
18	150110	Spring	1	
19	1349026	Jack budding	1	

Group	Engine
Code	01.32
Description	Gear lever
Service	1



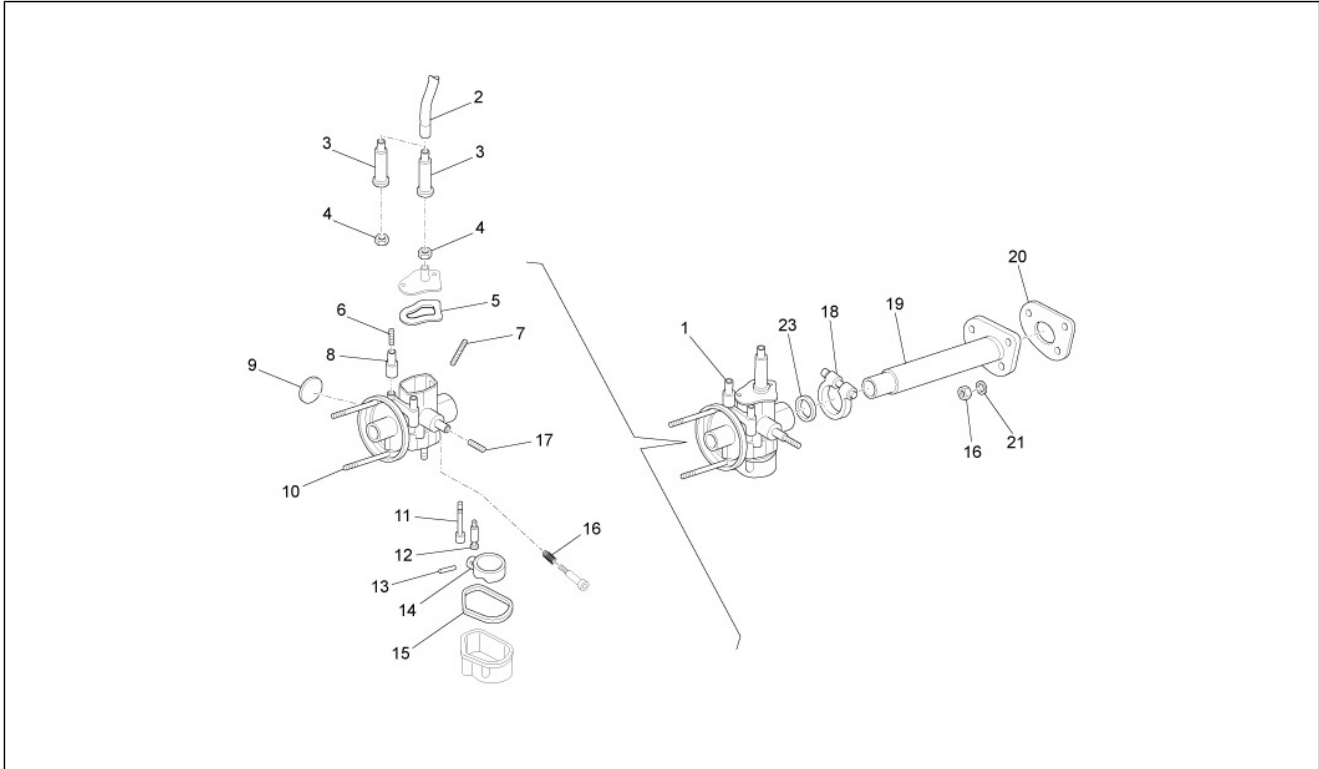
Pos.	Code	Description	Qty	Variants
1	006706	Gasket	1	
2	116379	Housing	1	
3	116378	Bushing	1	
4	487763	Pin	1	
5	0789454	Sliding block	2	
6	005962	Circlip	2	
7	116376	Front fork	1	
8	078597	Spring washer	1	

Group	Engine
Code	01.34
Description	Clutch
Service	1



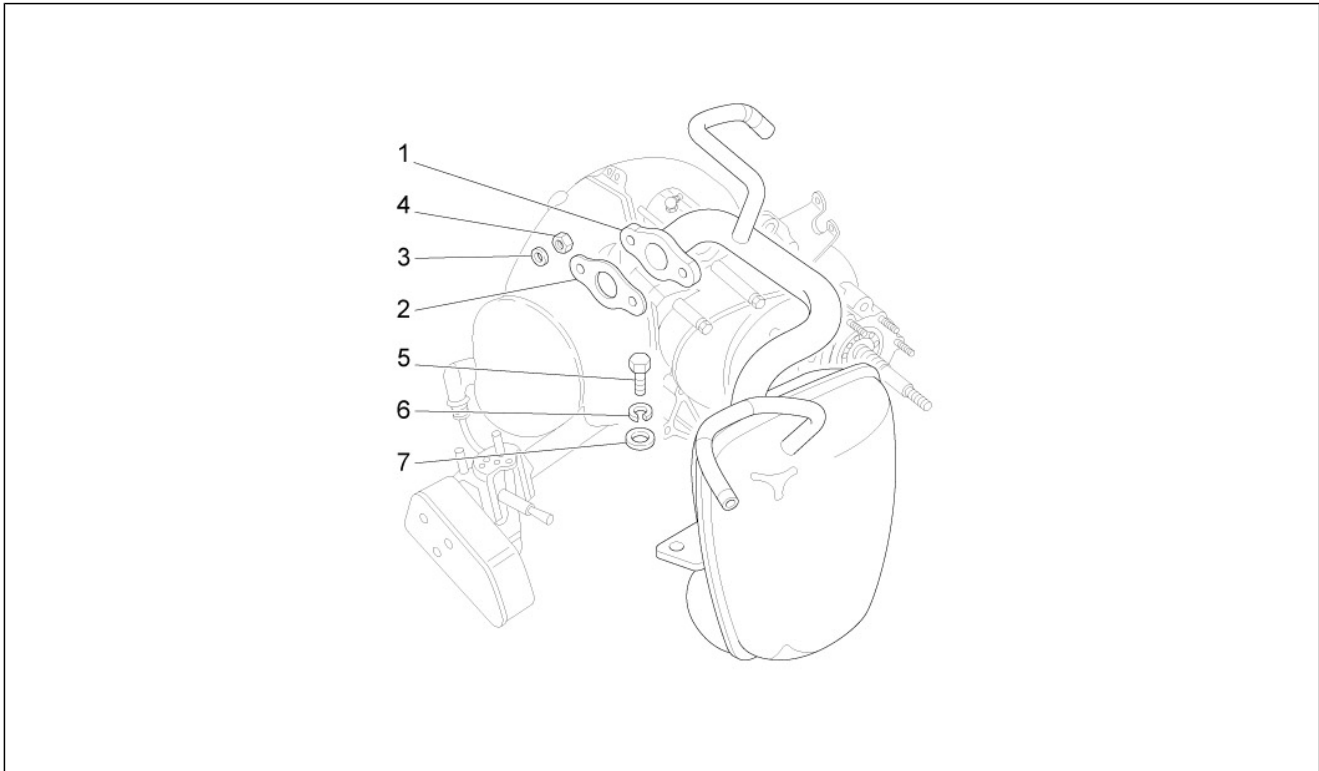
Pos.	Code	Description	Qty	Variants
1	487391	Gasket	1	
2	871561	***THRUSTED FRICTION PIVOT	1	
3	286406	Ring	1	
4	2860245	Clutch collar	1	
5	277916	Locating dowel	2	
6	414837	Screw w/ flange M6x25	6	
7	239275	Spring	1	
8	288507	Lever	1	
9	871576	***COMPLETE CLUTCH COVER	1	
10	286101	Drawn cap	1	
11	165945	Drawn cap	1	
12	006710	Gasket	1	
13	2898935	Clutch assy	1	
14	2898776	Drum	1	
15	289613	Spring	6	
16	2860135	Deduction collar	1	
17	2859741	Driving clutch disc	3	
18	2860144	Driven clutch disc	2	
19	286019	Circlip	1	
20	286018	Container ring	1	
21	2862975	Collar cup	1	

Group	Engine
Code	01.39
Description	Carburettor, assembly - Union pipe
Service	1



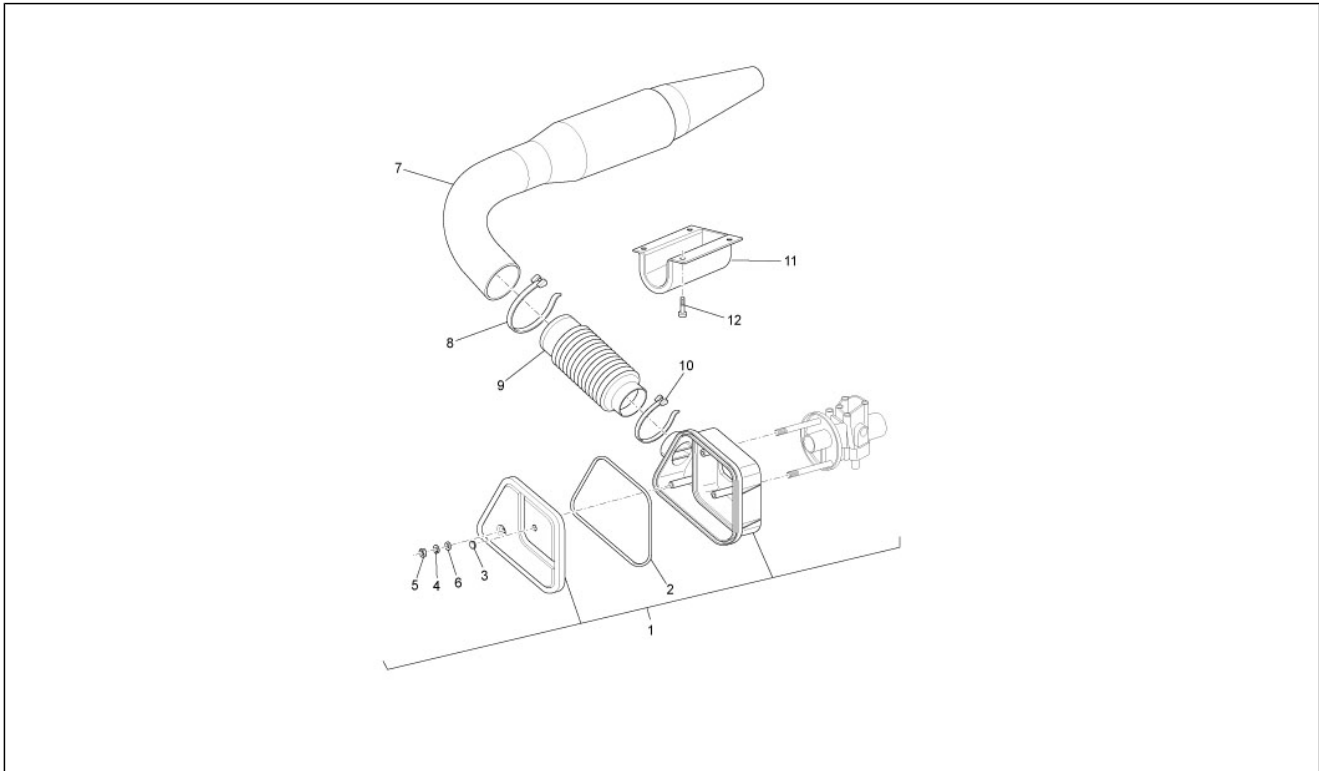
Pos.	Code	Description	Qty	Variants
1	834870	Carburetor assembly	1	
1	B015238	Carburetor assembly	1	
2	612791	Trasmissione sdoppiatore carburatore	1	
3	127050	Cap	2	
4	120073	Nut	1	
5	196694	Gasket	1	
6	098146	Spring	1	
7	244708	Idle jet	1	
8	098149	Valve	1	
9	099315	Fuel filter	1	
10	118009	Stud bolt	2	
11	098433	Jet	1	
12	247653	Jet Needle	1	
13	085291	Pin	1	
14	813173	Float	1	
15	098148	Gasket	1	
16	098130	Spring	1	
17	098135	Spring	1	
18	140275	Ring	1	
19	286889	Union pipe	1	
20	873214	Induction joint gasket	1	
21	007631	Washer	3	
22	020106	Nut M6	3	
23	498347	Gasket set	1	

Group	Engine
Code	01.42
Description	Silencer
Service	1



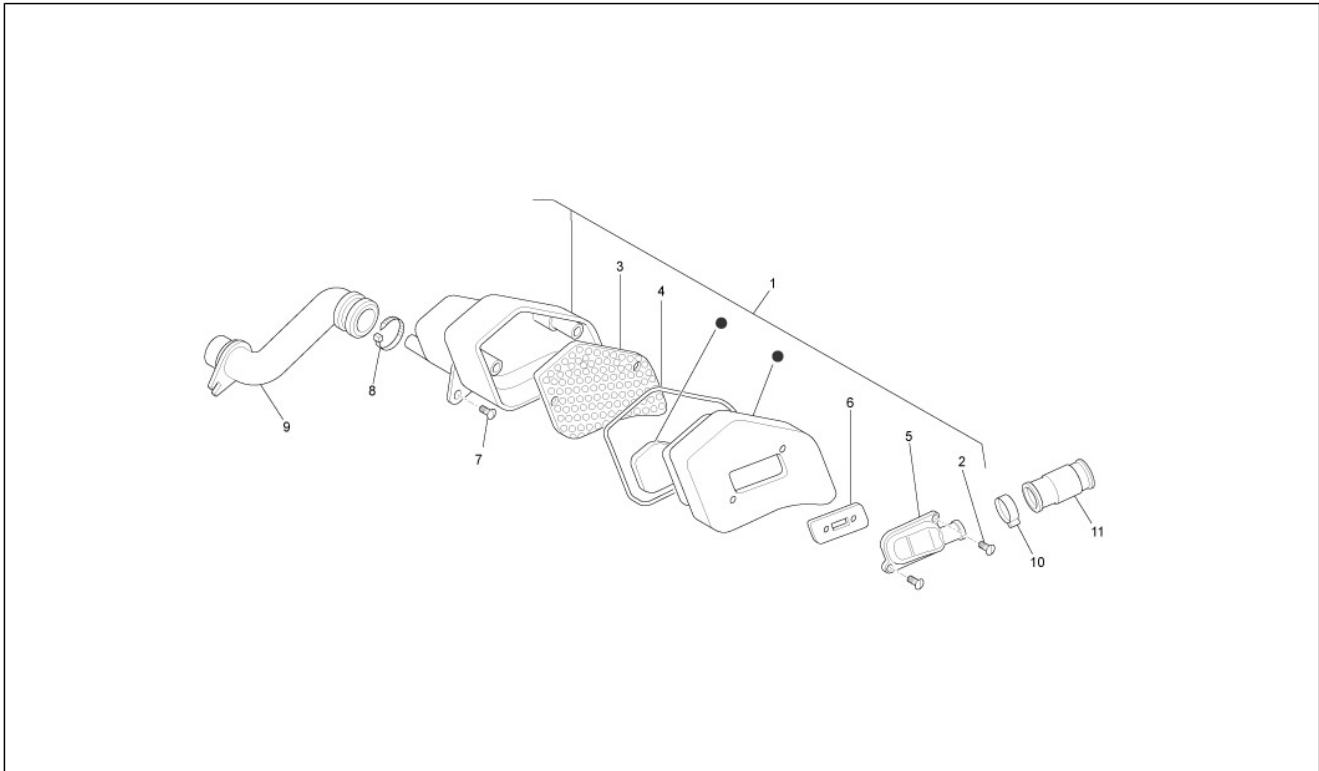
Pos.	Code	Description	Qty	Variants
1	840078	Silencer kat	1	
2	288837	Gasket	1	
3	012533	Notched washer 6,6x11x0	2	
4	020106	Nut M6	2	
5	031116	Hex socket screw	2	
6	016408	Spring washer 13,75x8,15x4,5	2	
7	013861	Plain washer 8,2x20x2,5	2	

Group	Engine
Code	01.45
Description	Air filter
Service	1



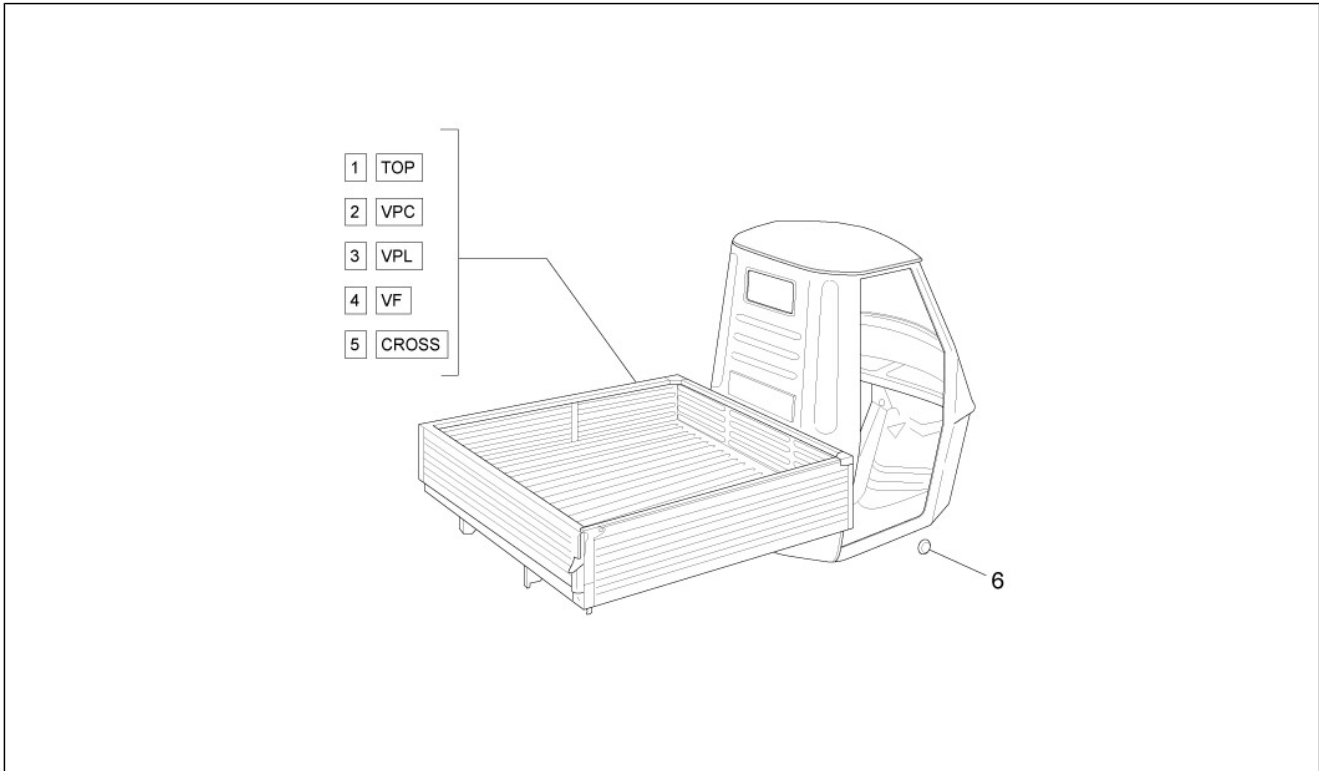
Pos.	Code	Description	Qty	Variants
1	260569	Air filter	1	
2	295331	Gasket	1	
3	087975	Cover	1	
4	006965	Washer 5.3x10x10	3	
5	020105	Nut	3	
6	003055	Plain washer 5,4x10x0,8	3	
7	234268	Union	1	
8	257134	Lock-strap	1	
9	119995	pipe	1	
10	257134	Lock-strap	1	
11	243831	Bracket	1	
12	008432	Screw d3,5x9,5	4	

Group	Engine
Code	01.46
Description	Secondary air box
Service	1



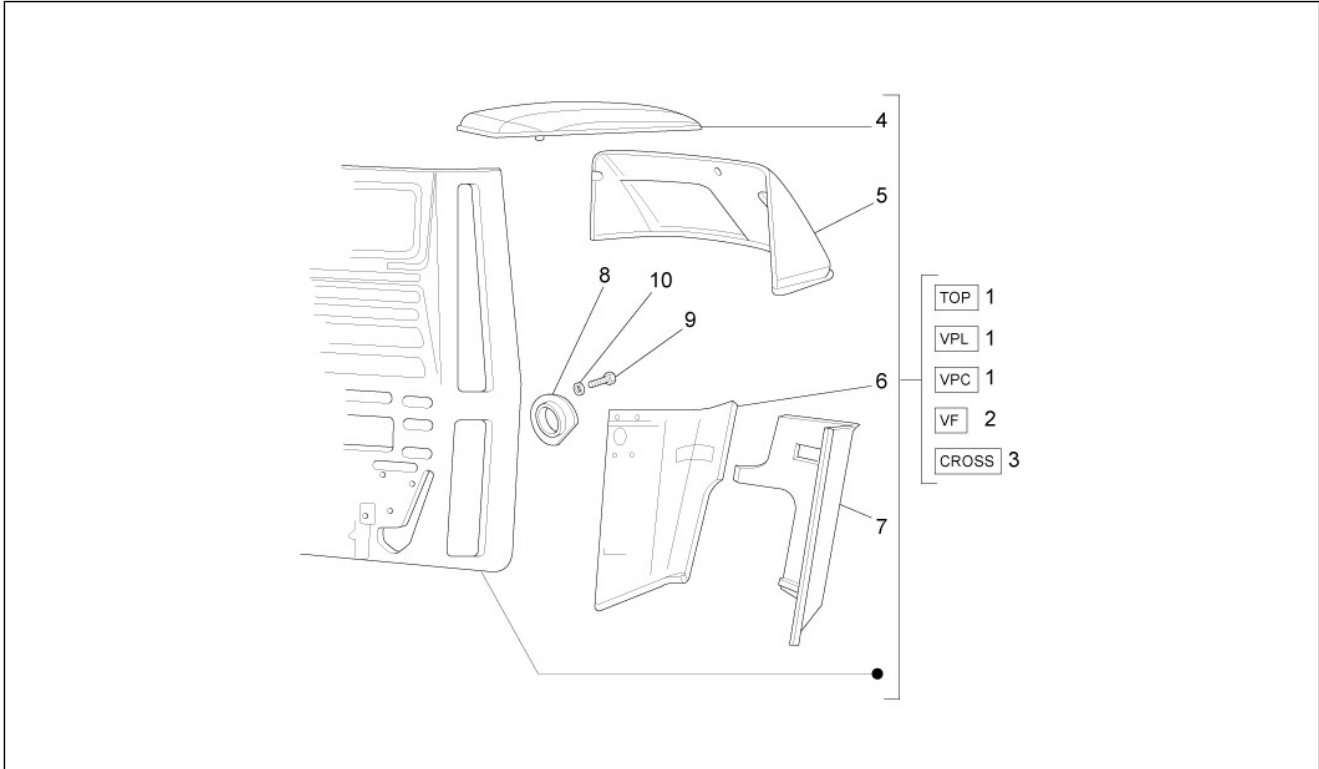
Pos.	Code	Description	Qty	Variants
1	831859	Secondary air box	1	
2	478533	Self-tap screw	2	
3	486942	Filter sas	1	
4	486943	Gasket	1	
5	827209	Cover sas	1	
6	82758R	Diaphragm	1	
7	015935	TBCIC Screw M5x12	2	
8	CM001905	Hose clamp	1	
9	827208	Intake pipe sas	1	
10	827444	Hose clamp	2	
11	827443	Hose	1	

Group	Frame - Plastic parts - Coachwork
Code	02.01
Description	Frame/bodywork
Service	1



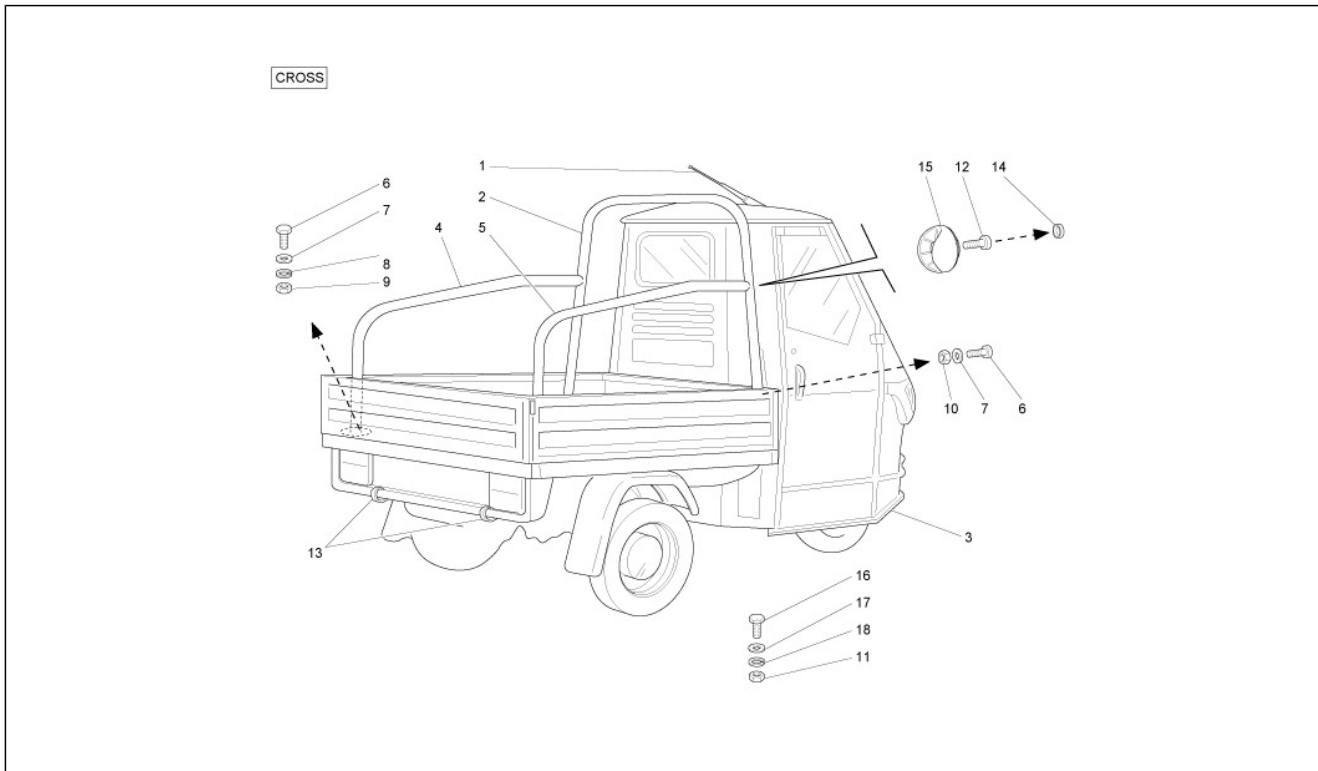
Pos.	Code	Description	Qty	Variants
1	CM0362045	***FRAME	1	
2	CM0362015	***FRAME	1	
3	CM0362025	***FRAME	1	
4	CM0362055	***FRAME	1	
5	CM0362035	***FRAME	1	
6	190567	Cover	1	

Group	Frame - Plastic parts - Coachwork
Code	02.02
Description	Front chassis/body
Service	1



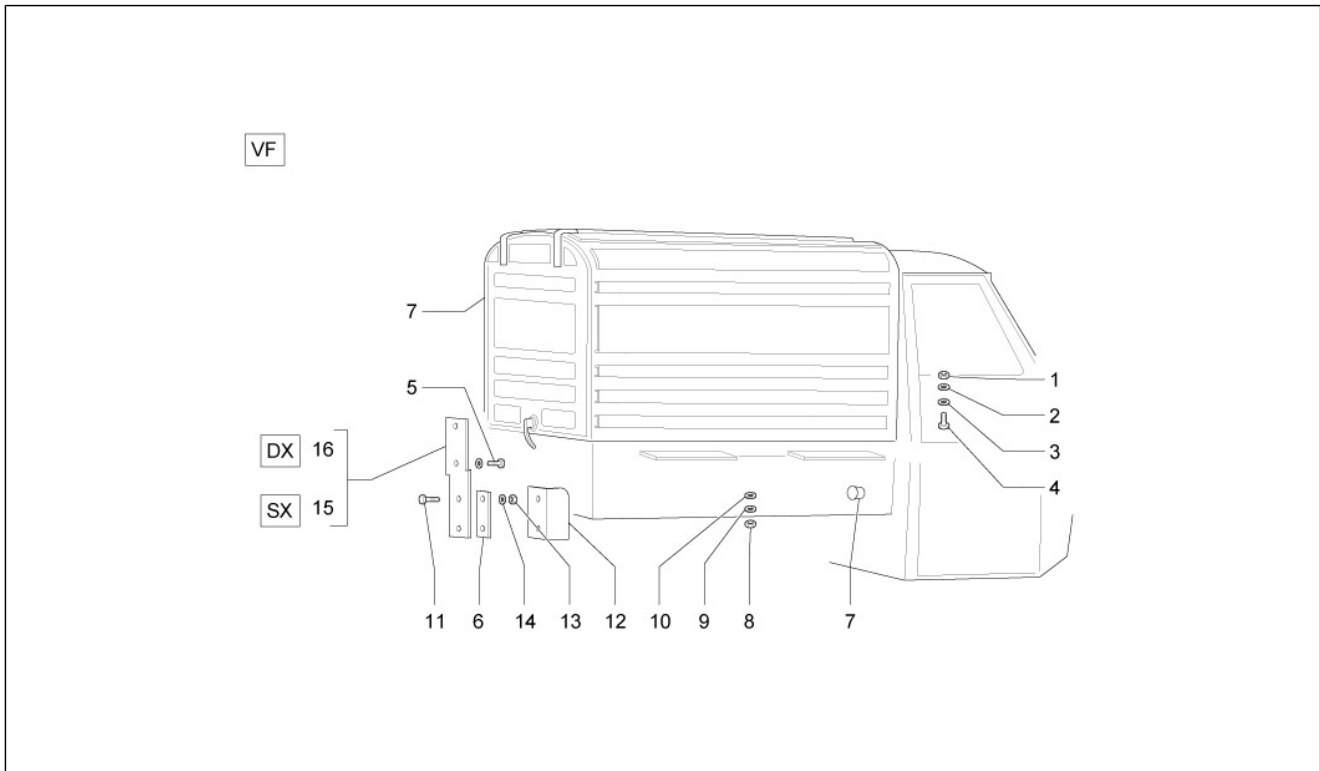
Pos.	Code	Description	Qty	Variants
1	CM0364015	***CABINA CON P.I	1	
2	CM0364025	***CABINA CON P.I	1	
3	CM0364035	***CAB	1	
4	2325715	***CEILING	1	
5	568610	Front booby hatch	1	
6	2640735	Shield cabin	1	
7	2640745	Shield cabin	1	
8	567084	Cover	1	
9	297498	Self tapping screw M3,5x13	2	
10	003054	Washer 4,3x8x0,5	2	

Group	Frame - Plastic parts - Coachwork
Code	02.03
Description	Side chassis/body
Service	1



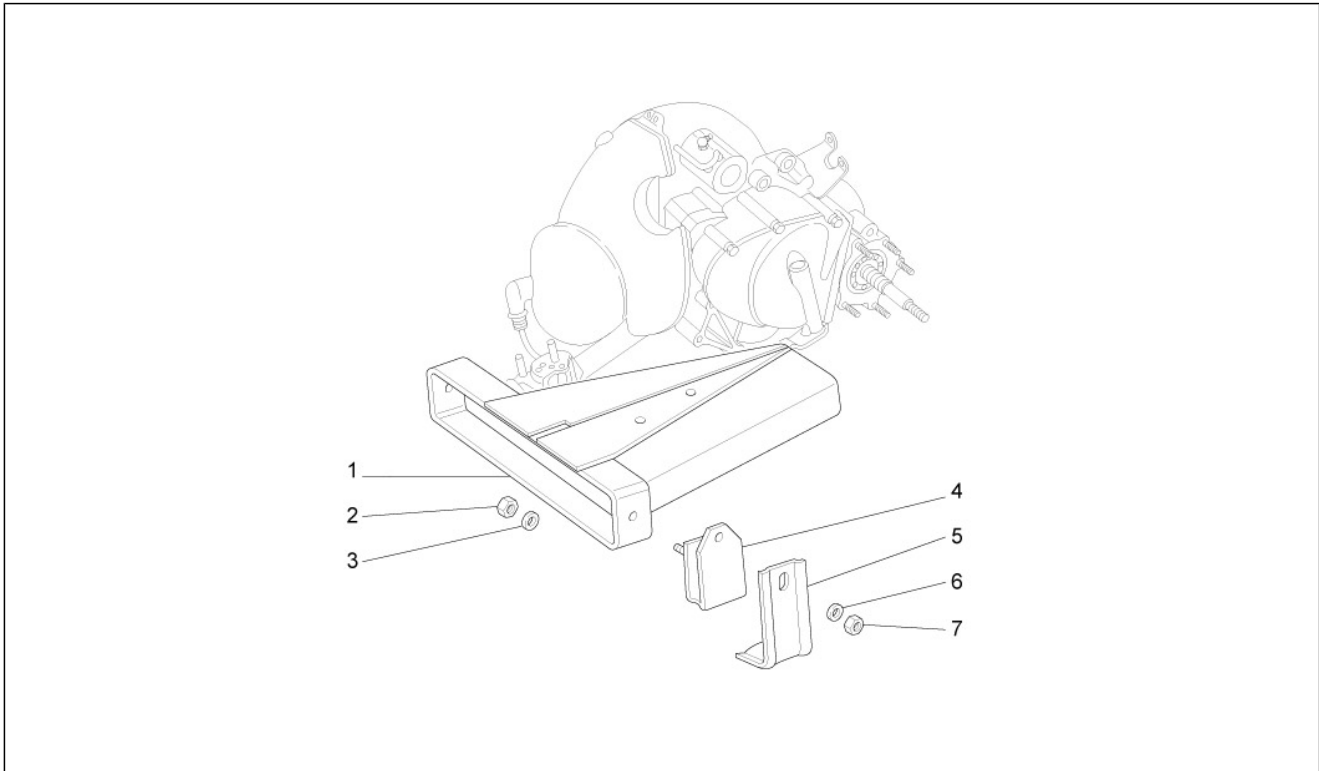
Pos.	Code	Description	Qty	Variants
1	661174	Radio car antenna	1	
2	56878000E9	Roll bar	1	
2	B007070	Matt black roll bar	1	Technical specification: 40th Anniversary[40°], CROSS Version[CROSS]
3	56877800E9	Front protection	1	
4	CM03450100E9	Lh strut	1	
5	CM03450200E9	Rh strut	1	
6	263381	screw	8	
7	006978	Washer	6	
8	016408	Spring washer 13,75x8,15x4,5	6	
9	810688	Nut	6	
10	002418	Nut M8	2	
11	020006	Nut	4	
12	149104	Hex socket screw M8x40	2	
13	255988	Drift	2	
14	D9004871033	Plastic plug	3	
15	568792	Junction component	1	
16	031089	Hex screw M6x18	2	
17	003056	Flat washer 6,4x12x1	6	
18	016406	Spring washer 6,4x11,8x1	4	

Group	Frame - Plastic parts - Coachwork
Code	02.04
Description	Rear chassis/body
Service	1



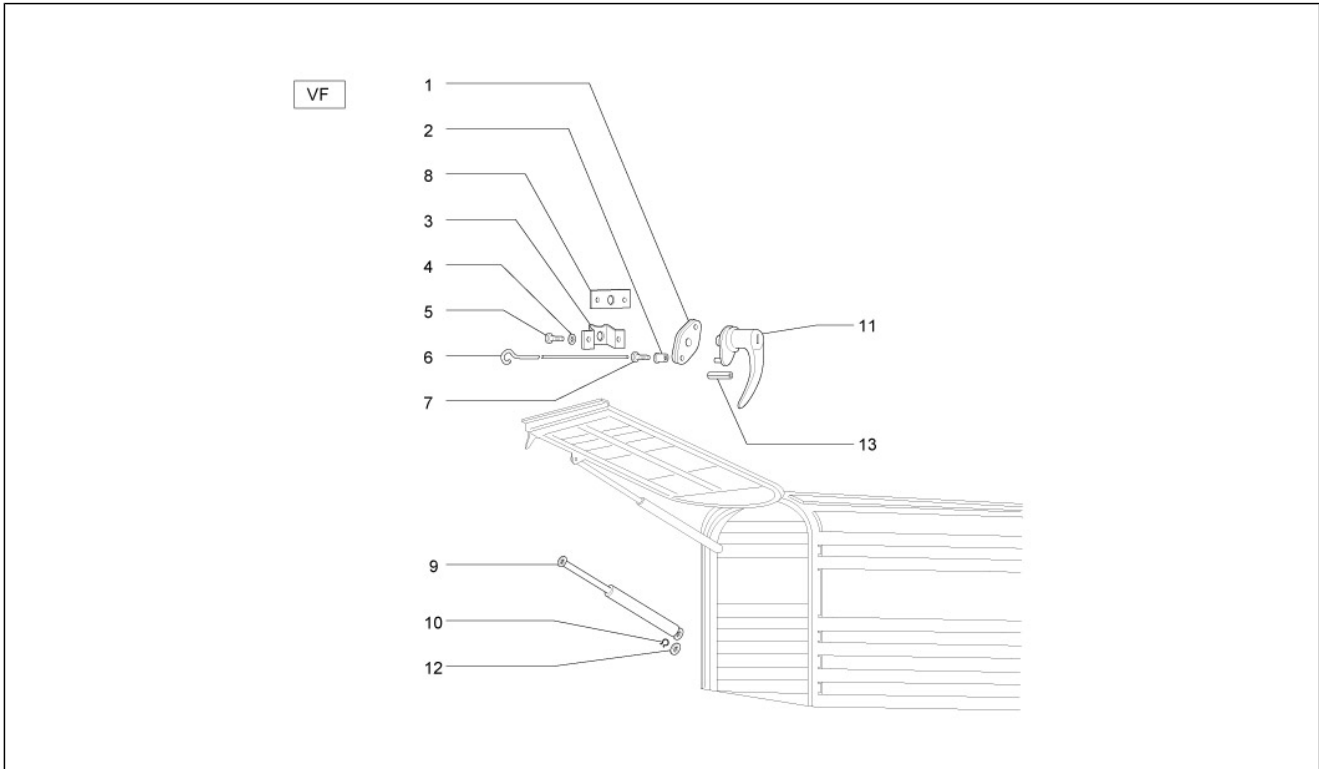
Pos.	Code	Description	Qty	Variants
1	191962	Nut	1	
2	016406	Spring washer 6,4x11,8x1	11	
3	013950	Washer 6,2x18x2	3	
4	031091	Hex screw M6x22	1	
5	031092	screw M6x25	6	
6	118578	Plate	2	
7	2469845	Van assembly	1	
8	020106	Nut M6	2	
9	013880	Flat washer 16x6,5x1,5	2	
10	013950	Washer 6,2x18x2	3	
11	014417	screw	4	
12	118648	Square	2	
13	020106	Nut M6	6	
14	016406	Spring washer 6,4x11,8x1	11	
15	118872	Bracket	1	
16	118873	Bracket	1	

Group	Frame - Plastic parts - Coachwork
Code	02.05
Description	Engine mounts
Service	1



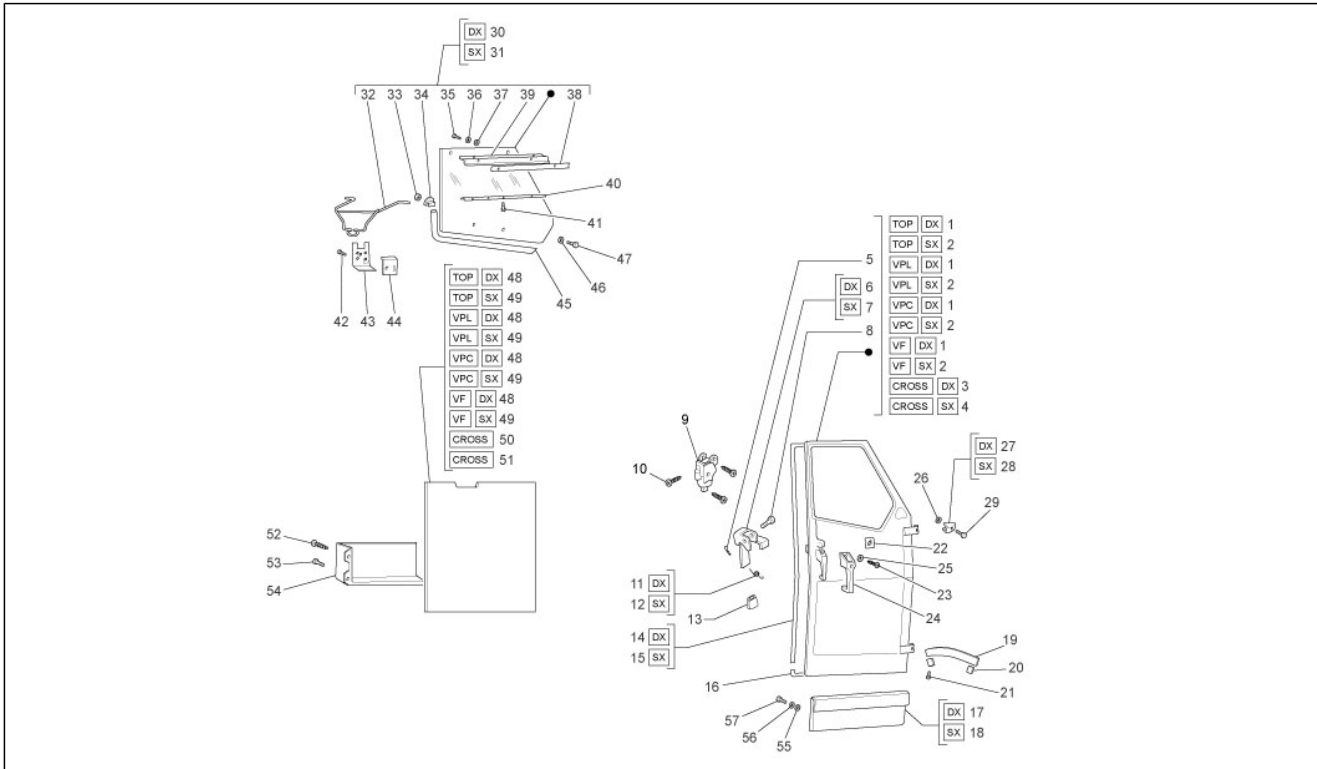
Pos.	Code	Description	Qty	Variants
1	2411493	***ENGINE SUPPTO FRAME	1	
2	020110	Nut	2	
3	012535	Washer	2	
4	127350	Maintenance	2	
5	116869T	Bracket	1	
6	020110	Nut	1	
7	012535	Washer	2	

Group	Frame - Plastic parts - Coachwork
Code	02.10
Description	Tailboard - Glass
Service	1



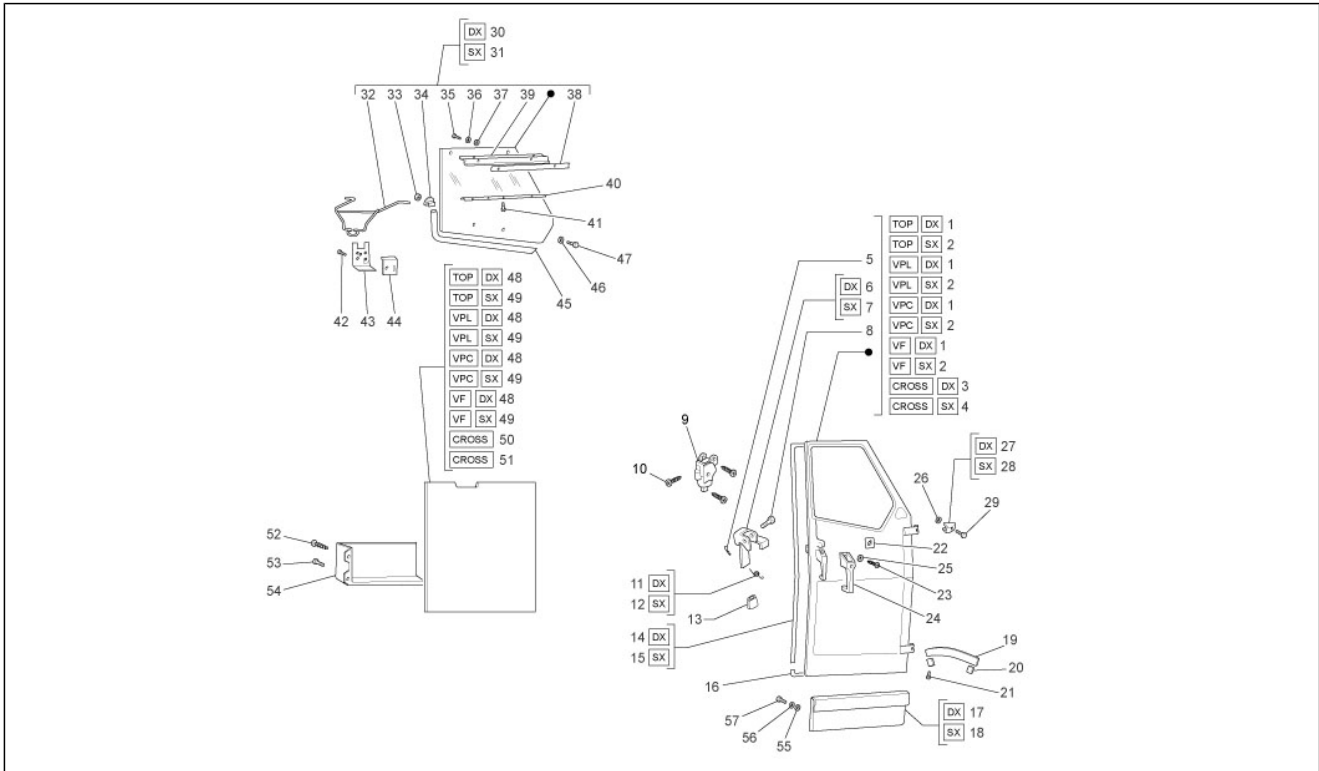
Pos.	Code	Description	Qty	Variants
1	141833	Plate	1	
2	115817	Terminal	2	
3	246616	Bracket	1	
4	016404	Flat washer 4,2x7,6x0,9	14	
5	031027	screw	2	
6	118652	Tie rod	2	
7	031086	Screw m6x12	2	
8	246387	Plate	1	
9	1981012	Spring	1	
10	016410	Washer 17,6x11x2,5	1	
11	257094	Handle	1	
12	003058	Washer 15x8,4x1,5	2	
13	217166	Pin	1	

Group	Frame - Plastic parts - Coachwork
Code	02.11
Description	Cab - Doors
Service	1



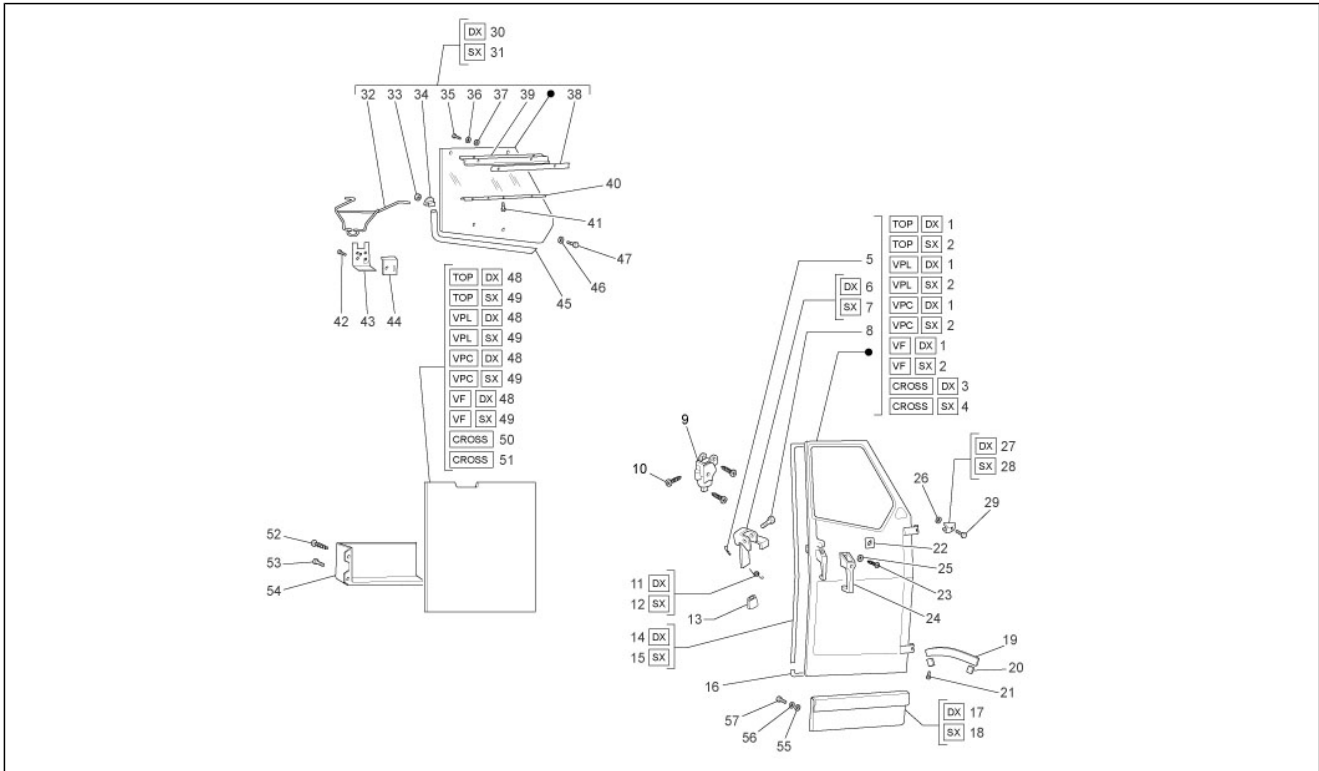
Pos.	Code	Description	Qty	Variants
1	6447525	Rh door	1	Technical specification: TOP Version[TOP], Closed box body[VF], Short deck[VPC], long deck[VPL]
2	6447535	Lh door	1	Technical specification: TOP Version[TOP], Closed box body[VF], Short deck[VPC], long deck[VPL]
3	6447525	Rh door	1	Technical specification: CROSS Version[CROSS]
4	6447535	Lh door	1	Technical specification: CROSS Version[CROSS]
5	012768	Split pin	2	
6	567154	Handle	1	
7	567152	Handle	1	
8	024201	Pin	2	
9	660543	Left door safe box	1	
10	008432	Screw d3,5x9,5	6	
11	118625	Spring	1	
12	116635	Spring	1	
13	261405	Cover	2	
14	644767	Upper gasket	1	
15	644768	Upper gasket	1	
16	644754	Lower gasket	2	
17	567148	Panel	1	
18	567149	Panel	1	
19	175074	Belt	2	
20	567605	Plate	4	
21	015859	screw 3,5x16	8	
22	567166	Button cover	2	
23	015994	Screw 3,5x19*	4	
24	567174	Handle	2	
25	016670	Washer 4,5x12x1	4	
26	CM017410	Spring plate	2	

Group	Frame - Plastic parts - Coachwork
Code	02.11
Description	Cab - Doors
Service	1



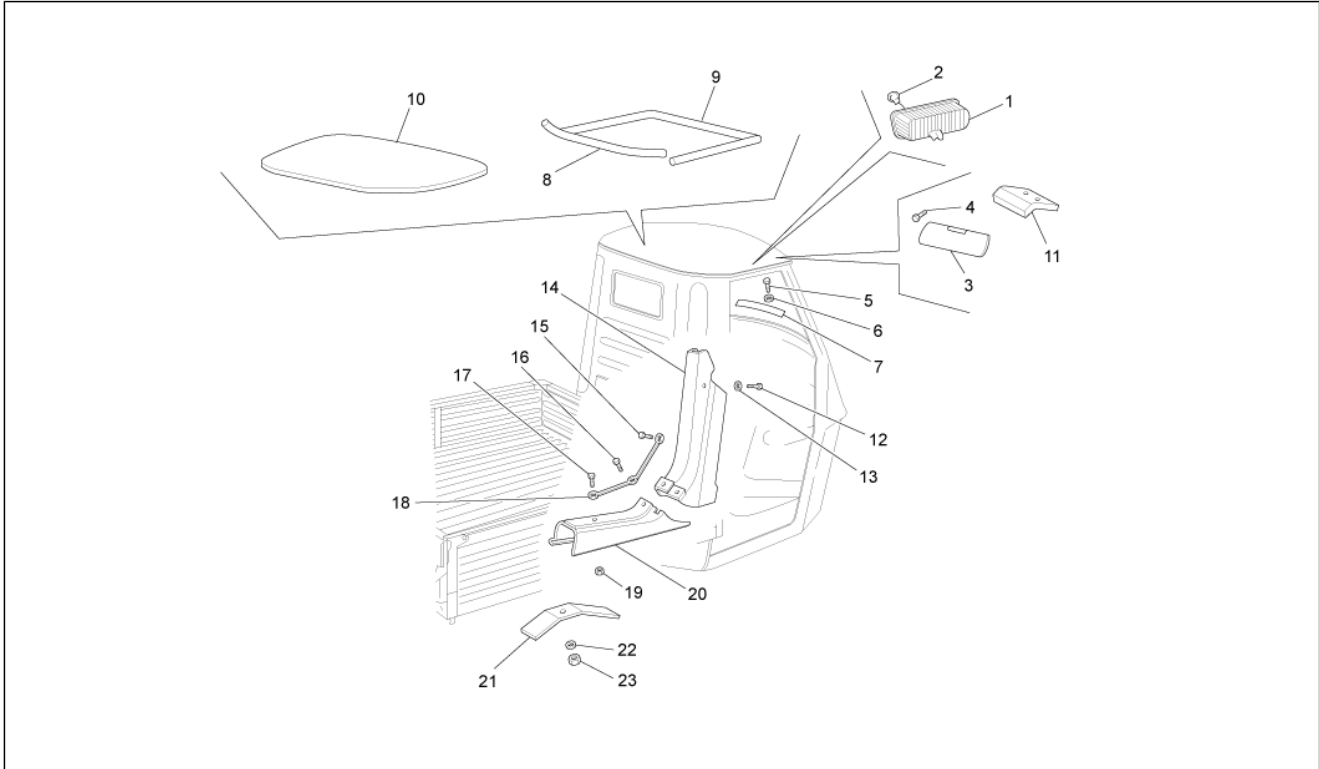
Pos.	Code	Description	Qty	Variants
27	567185	Guard	1	
28	567179	Guard	1	
29	015911	Self tapping screw 4,2x16	2	
30	658222	Right complete window	1	
31	658223	Blue complete window	1	
32	566990	Boom	2	
33	020105	Nut	2	
34	567606	Hinge	2	
35	567604	Rivet	2	
36	567601	Washer	2	
37	567602	Washer	2	
38	658221	Crosspiece	2	
39	646259	Strip	2	
40	187305	Listel	2	
41	000675	screw	6	
42	015859	screw 3,5x16	4	
43	567610	Spring	2	
44	567558	Plate	1	
45	259264	Gasket	2	
46	567603	Washer	2	
47	567607	Bolt	2	
48	B007061	Blue right front door panel	1	Technical specification: 40th Anniversary[40°], Closed box body[VF]
48	CM030704	Rh front door panel	1	Technical specification: TOP Version[TOP], Closed box body[VF], Short deck[VPC], long deck[VPL]
49	B007062	Blue left front door panel	1	Technical specification: 40th Anniversary[40°], Closed box body[VF]
49	CM030703	Lh front door panel	1	Technical specification: TOP Version[TOP], Closed box body[VF], Short deck[VPC], long deck[VPL]

Group	Frame - Plastic parts - Coachwork
Code	02.11
Description	Cab - Doors
Service	1



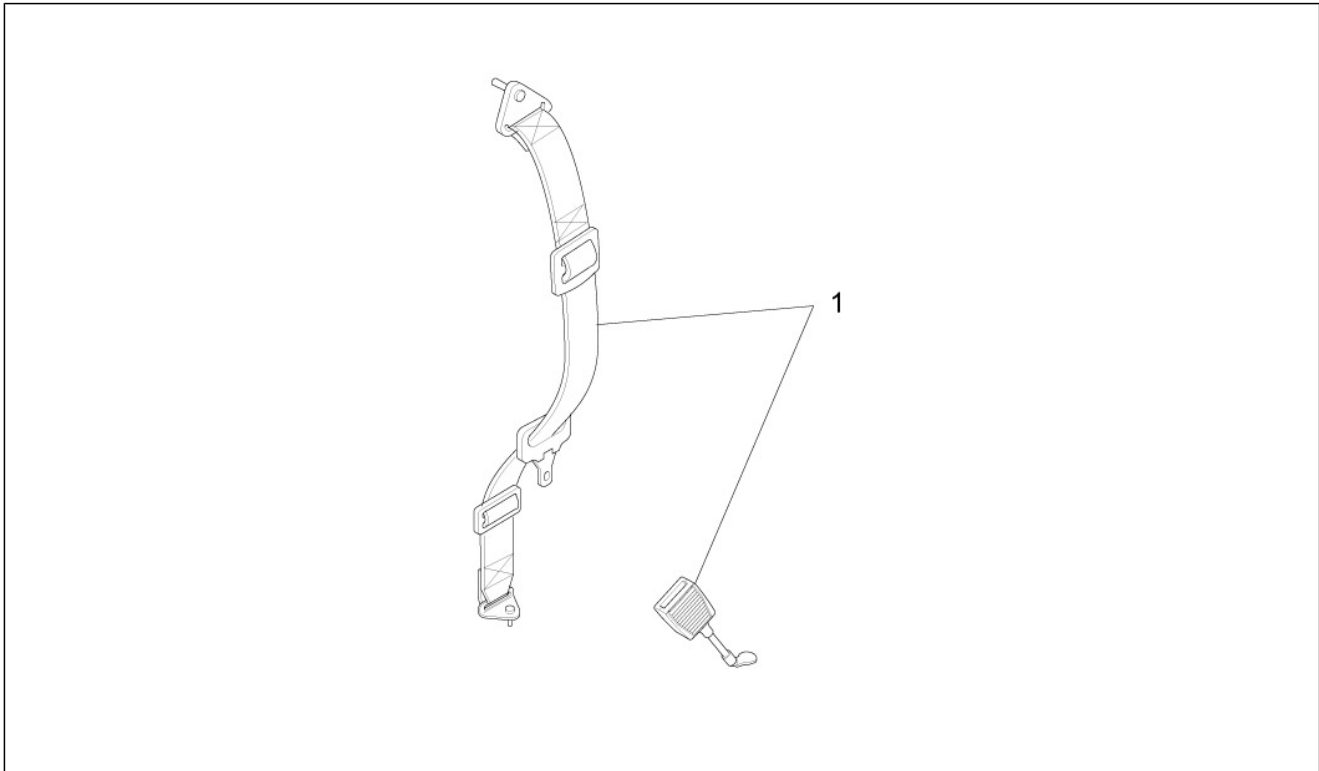
Pos.	Code	Description	Qty	Variants
50	B007058	Red right front door panel	1	Technical specification: 40th Anniversary[40°], CROSS Version[CROSS]
50	CM030706	Rh front door panel	1	Technical specification: CROSS Version[CROSS]
51	B007059	Red left front door panel	1	Technical specification: 40th Anniversary[40°], CROSS Version[CROSS]
51	CM030705	Lh front door panel	1	Technical specification: CROSS Version[CROSS]
52	015911	Self tapping screw 4,2x16	4	
53	018536	Self-tap screw 3,5x13	4	
54	261409	Bag	2	
55	297498	Self tapping screw M3,5x13	6	
56	190479	Gasket	6	
57	013763	Flat washer 4,2x12x1	6	

Group	Frame - Plastic parts - Coachwork
Code	02.12
Description	Cab components
Service	1



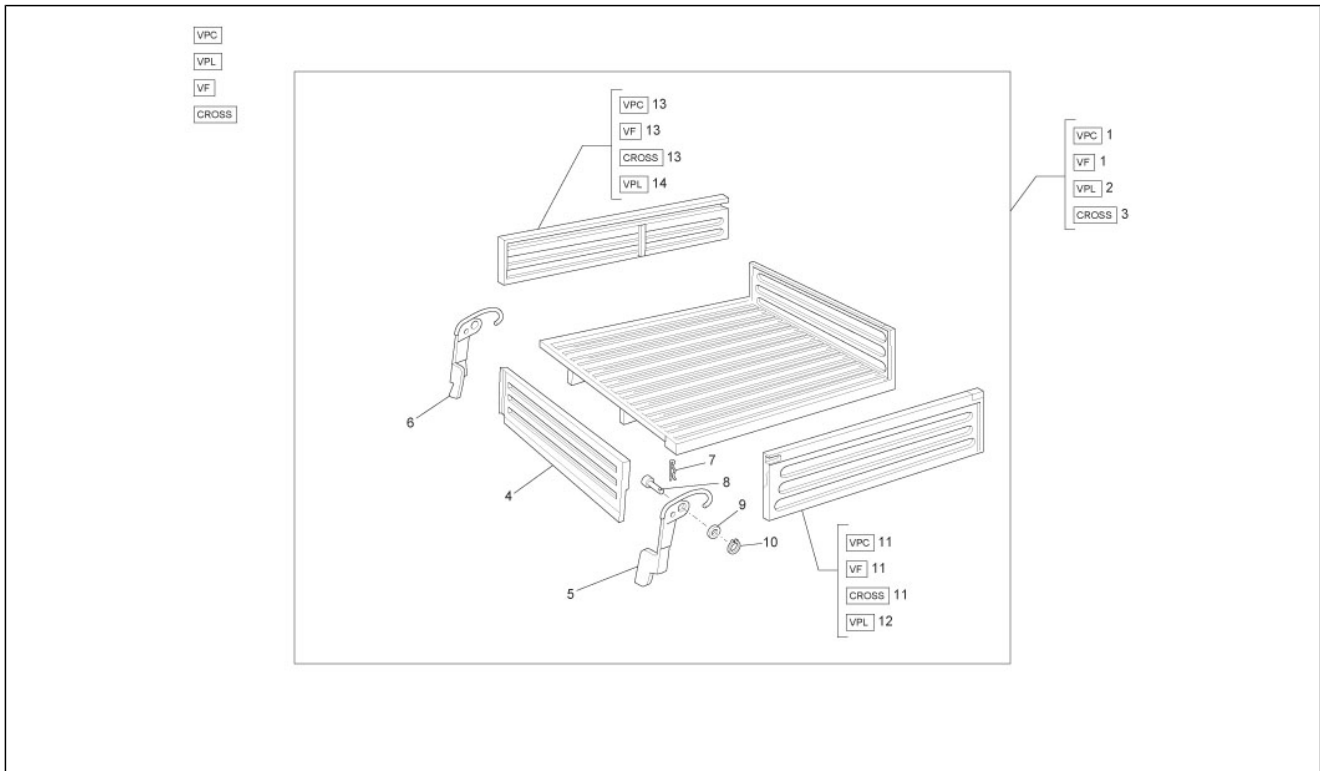
Pos.	Code	Description	Qty	Variants
1	565940	Ceiling bowl	1	
2	9356055014000	screw	2	
3	264520	Sun-visor	1	
4	9356055014000	screw	2	
5	018536	Self-tap screw 3,5x13	3	
6	256382	Washer	3	
7	567195	Border	1	
8	565418	Copribordo posteriore cabina L=840 mm	1	
9	565413	Copribordo anteriore cabina L=1640 mm	1	
10	B007060	Red roof panel	1	Technical specification: 40th Anniversary[40°], CROSS Version[CROSS]
10	B007065	Blue roof panel	1	Technical specification: 40th Anniversary[40°], Closed box body[VF]
10	CM031002	Yellow roof panel	1	Technical specification: CROSS Version[CROSS]
11	264252	Bracket	1	
12	015859	screw 3,5x16	1	
13	016670	Washer 4,5x12x1	2	
14	261401	Upper protect.	1	
15	015859	screw 3,5x16	1	
16	015911	Self tapping screw 4,2x16	1	
17	015859	screw 3,5x16	1	
18	016670	Washer 4,5x12x1	3	
19	199190	Expansion plug	4	
20	261402	Lower protect.	1	
21	116946	Bracket	1	
22	002383	Washer	1	
23	002438	Nut	1	

Group	Frame - Plastic parts - Coachwork
Code	02.13
Description	Seat belts
Service	1



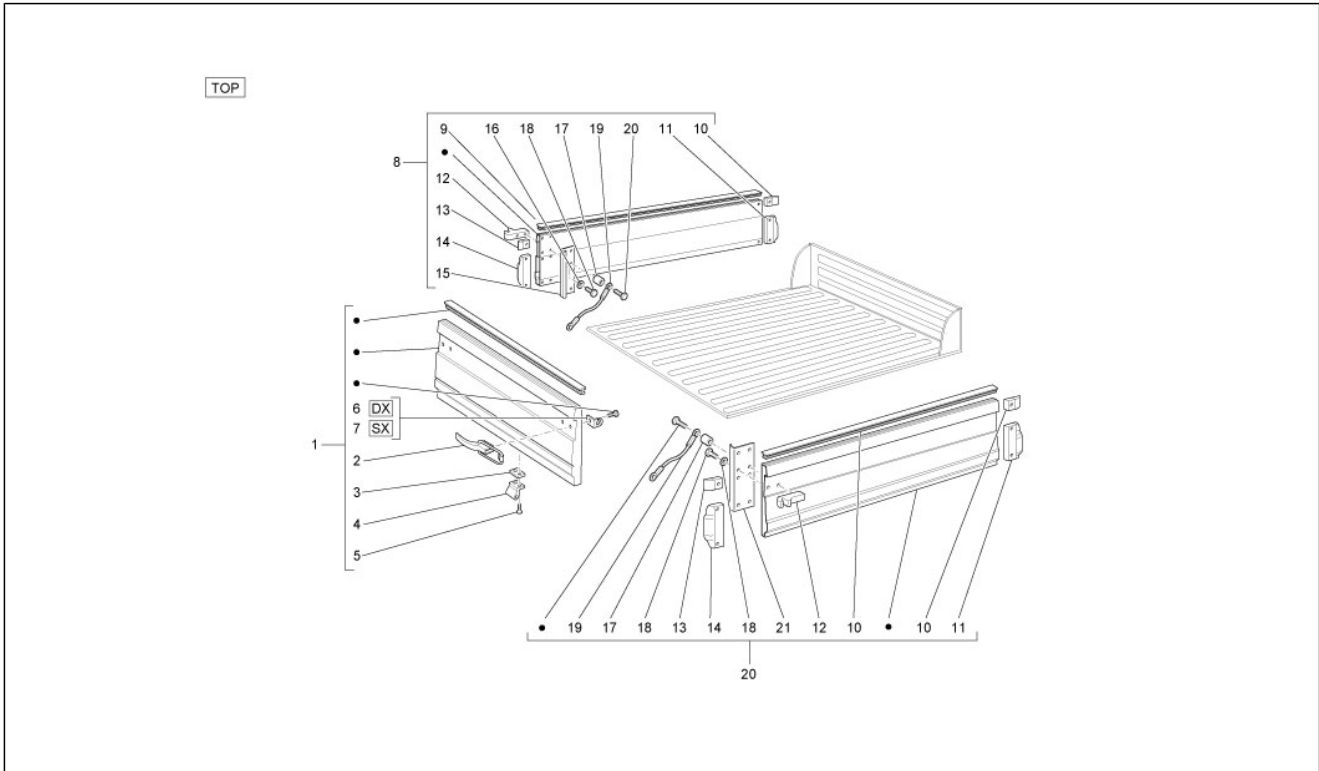
Pos.	Code	Description	Qty	Variants
1	56537R	***KIT, CINTURA D	1	

Group	Frame - Plastic parts - Coachwork
Code	02.17
Description	Loading body open - Side boards
Service	1



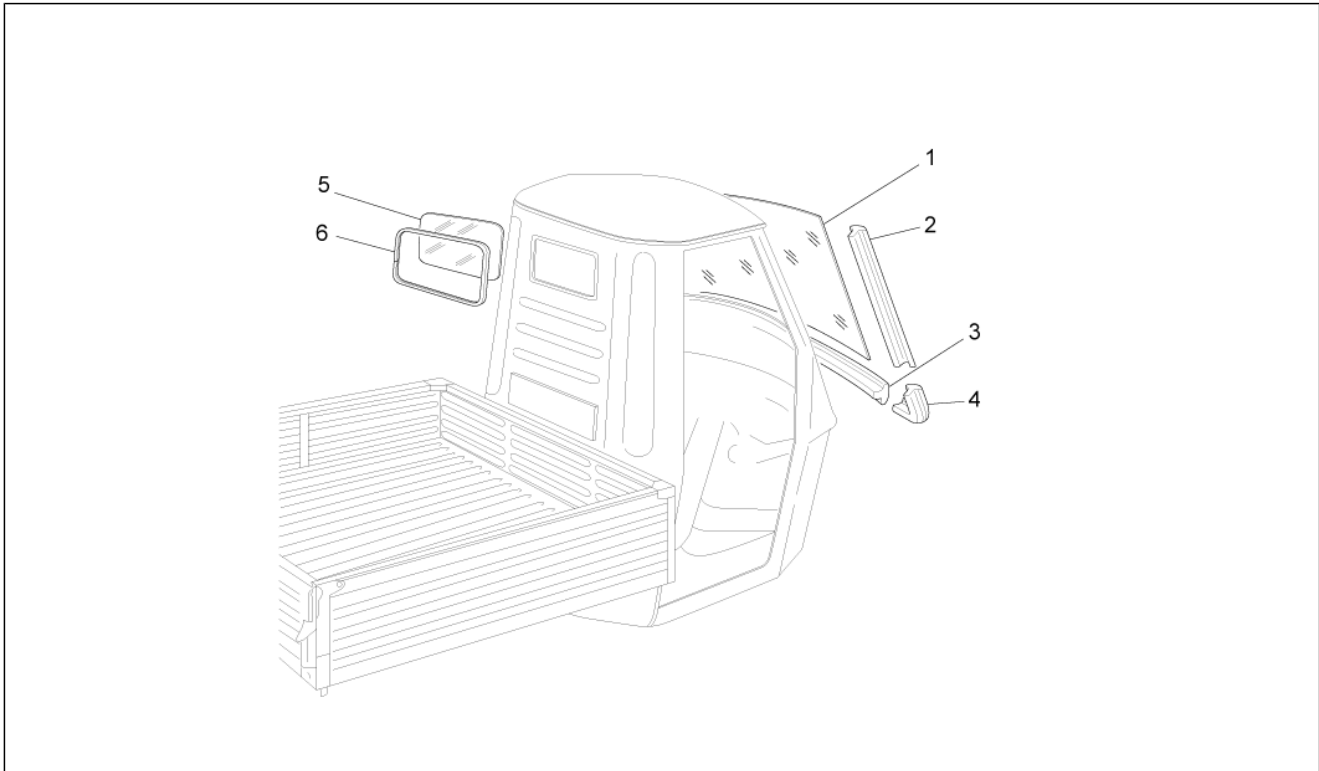
Pos.	Code	Description	Qty	Variants
1	CM0363025	***PIANALE CPL	1	
2	CM0363015	***PIANALE CPL	1	
3	CM0363045	***PIANALE CPL	1	
4	5653886	Rear flap	1	
5	118917	Handle	1	
6	116627	Handle	1	
7	012761	Split pin	2	
8	090742	Pin	2	
9	016604	Washer	6	
10	005967	Ring	2	
11	CM0314036	***SPONDA DX CPI	1	
12	CM0314016	***SPONDA DX CPI	1	
13	CM0314045	***SIDE PANEL	1	
14	CM0314026	***SPONDA SX CPI	1	

Group	Frame - Plastic parts - Coachwork
Code	02.19
Description	Loading box components
Service	1



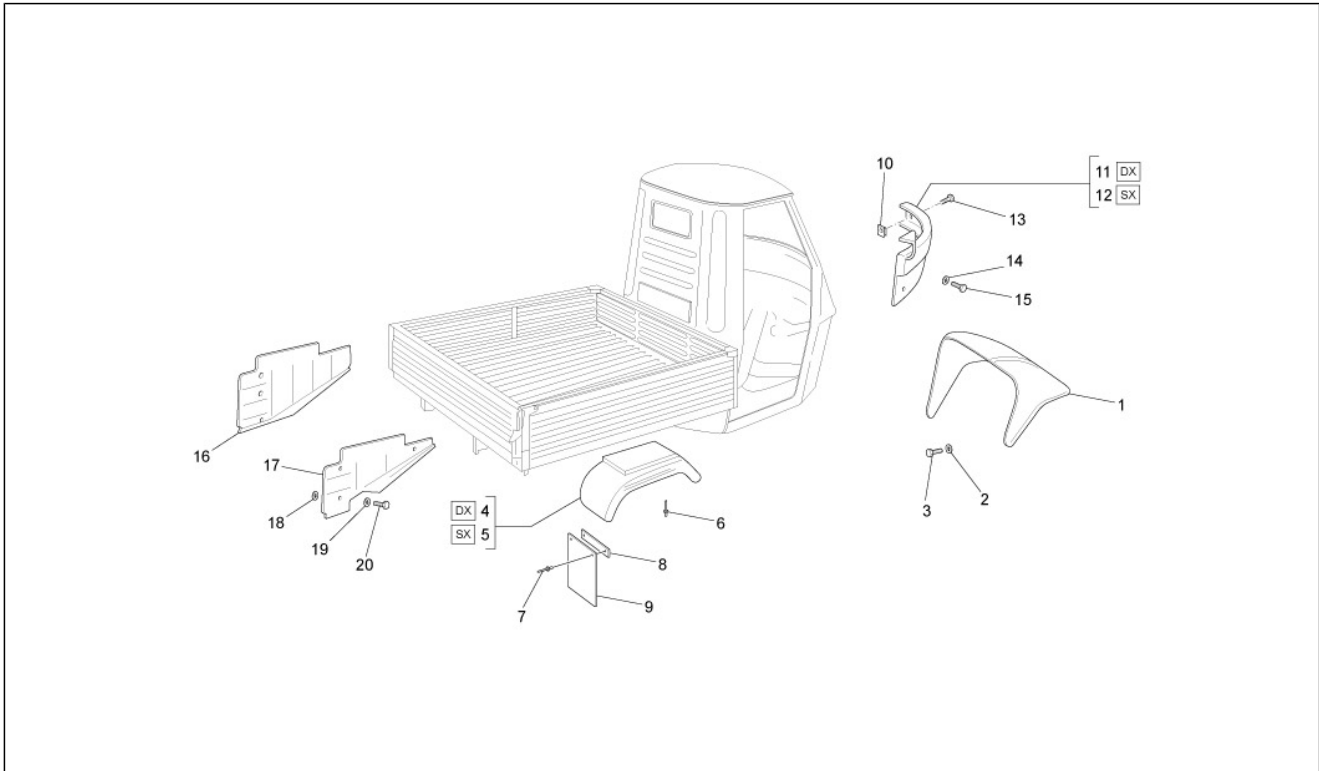
Pos.	Code	Description	Qty	Variants
1	566920	Flap	1	
2	264785	Rear lever	2	
3	565869	Plate	2	
4	566941	Hinge	2	
5	018592	Nut	4	
6	264948	Chain attachment	1	
7	264949	Chain attachment	1	
8	566918	Board	1	
9	566926	Gasket	2	
10	264743	***PACKING	1	
11	264741	***PAKING	1	
12	264778	Hook	2	
13	264742	***PACKING	2	
14	264740	***PACKING	2	
15	566924	Rear post	1	
16	569383	Washer	2	
17	184400	Rear spacer	2	
18	264783	screw	2	
19	569384	Wire	2	
20	566919	Board	1	
21	566925	Rear post	1	

Group	Frame - Plastic parts - Coachwork
Code	02.27
Description	Windshield - Glass
Service	1



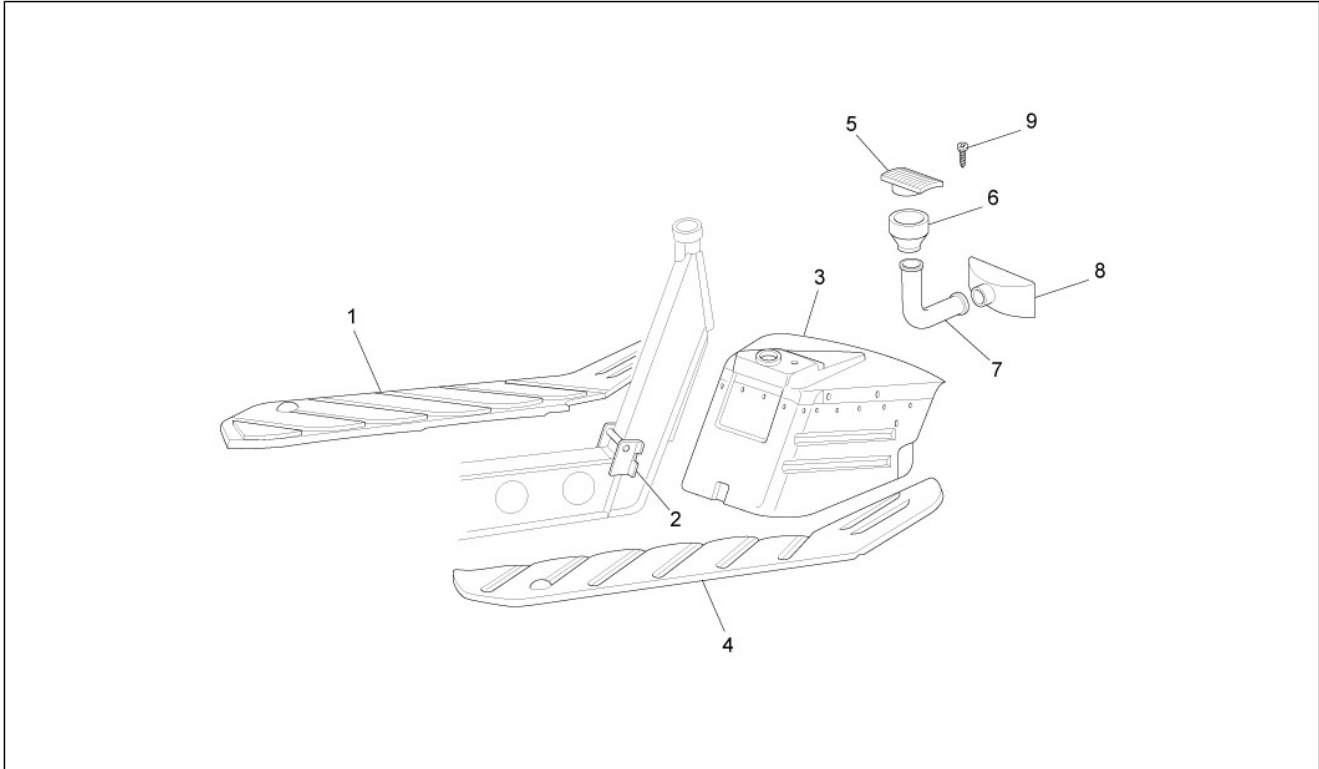
Pos.	Code	Description	Qty	Variants
1	612757	Windshield	1	
2	216021	Side beading	2	
3	234471	Lower beading	1	
4	661178	Angle bar	2	
5	231726	Glass	1	
6	232679	Gasket	1	

Group	Frame - Plastic parts - Coachwork
Code	02.33
Description	Wheel huosing - Mudguard
Service	1



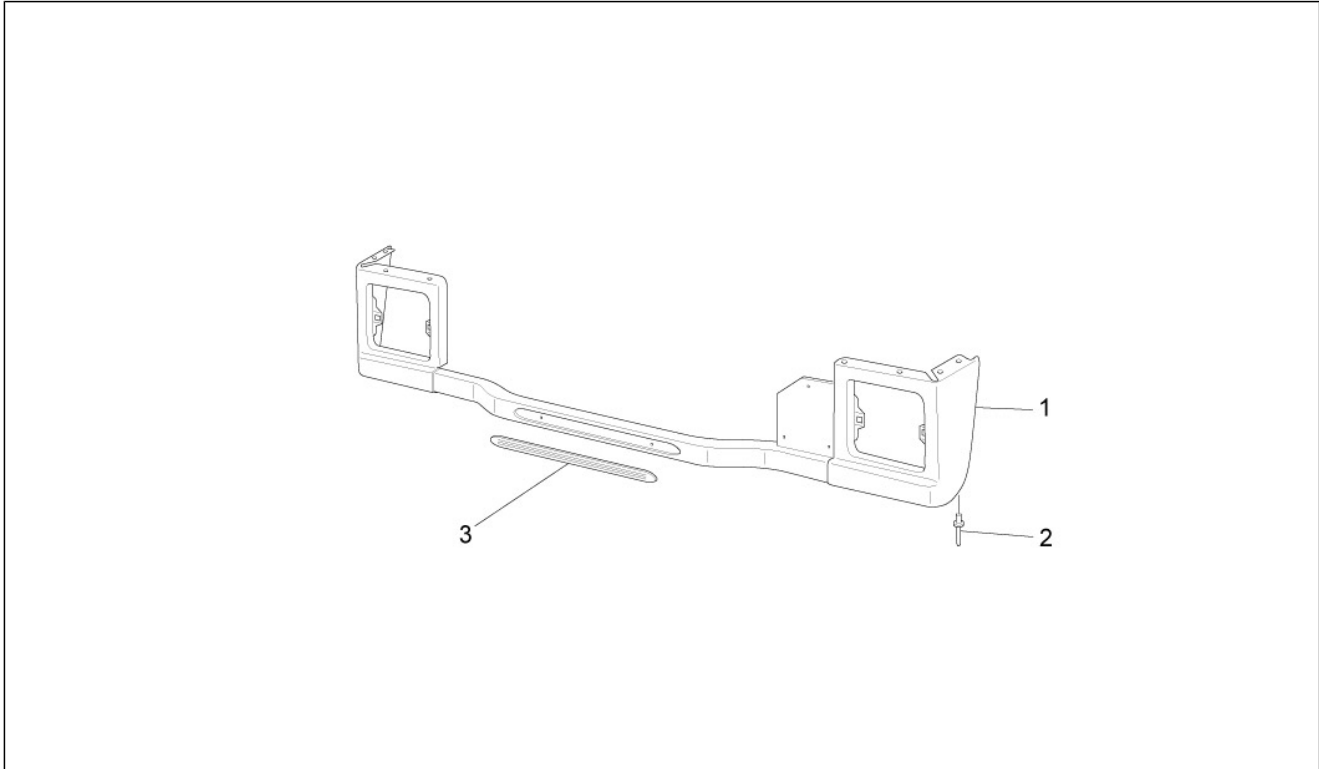
Pos.	Code	Description	Qty	Variants
1	567168	Mudguard	1	
2	013880	Flat washer 16x6,5x1,5	4	
3	031089	Hex screw M6x18	4	
4	567178	Mudguard	1	
5	567177	Mudguard	1	
6	244474	Rivet	8	
7	298930	Rivet	4	
8	264165	Square	1	
9	264097	Splash guard	1	
10	CM017416	***SPRING PLATE	2	
11	567169	Bumper	1	
12	567170	Bumper	1	
13	258407	screw	2	
14	013836	Washer	4	
15	297498	Self tapping screw M3,5x13	4	
16	119839	Protection sheet	1	
17	612844	Protection sheet	1	
18	CM017408	Plate	4	
19	013763	Flat washer 4,2x12x1	4	
20	008455	screw	4	

Group	Frame - Plastic parts - Coachwork
Code	02.35
Description	Front flooring panel
Service	1



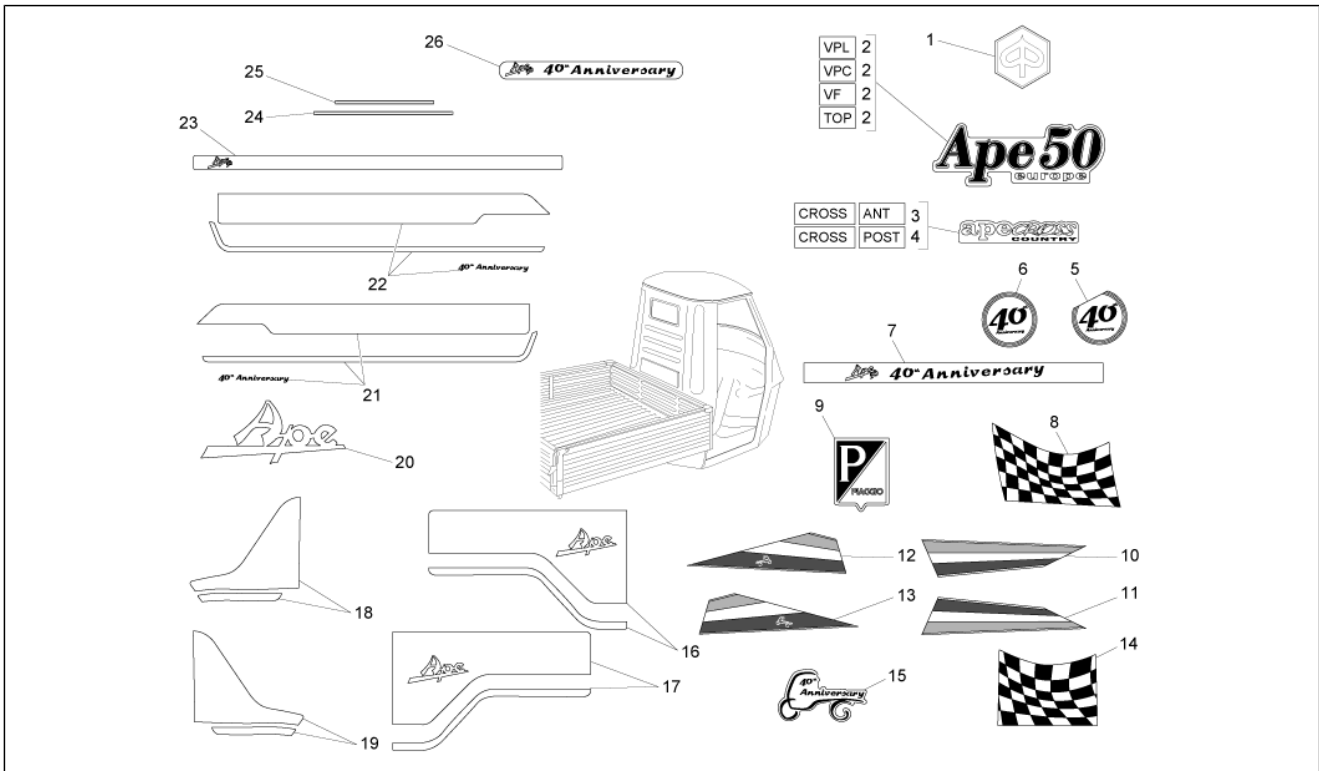
Pos.	Code	Description	Qty	Variants
1	5671115	Lh floorplate	1	
2	258637	Maintenance	1	
3	2334725	***SP.WHEEL.HAN. APE	1	
4	2560755	Rh footplate	1	
5	264151	Selvage	1	
6	264082	Air intake union	1	
7	264081	pipe	1	
8	264110	Air intake	1	
9	008432	Screw d3,5x9,5	2	

Group	Frame - Plastic parts - Coachwork
Code	02.37
Description	Rear cover - Splash guard
Service	1



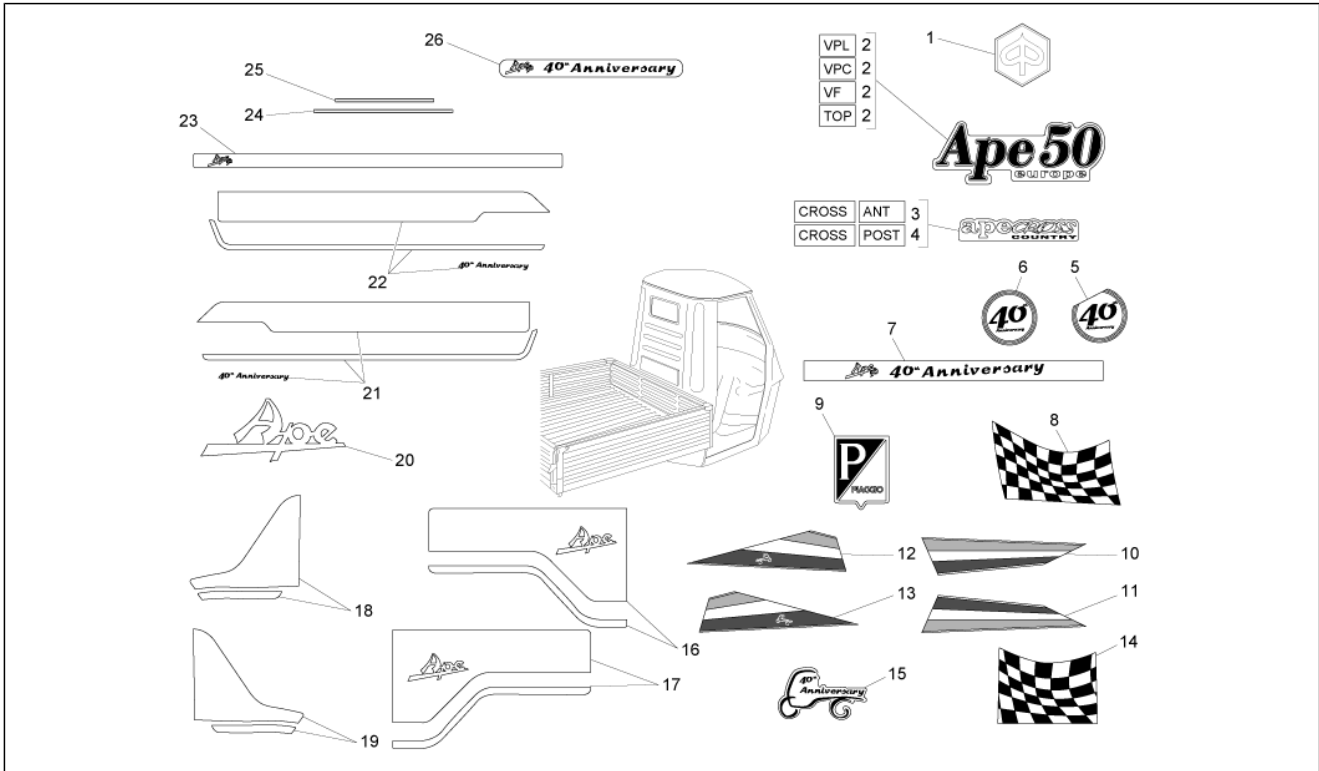
Pos.	Code	Description	Qty	Variants
1	567180	Fender	1	
1	B007071	Fender	1	Technical specification:40th Anniversary[40°]
2	244474	Rivet	8	
3	567839	Listel	1	

Group	Frame - Plastic parts - Coachwork
Code	02.38
Description	Plates - Emblems
Service	1



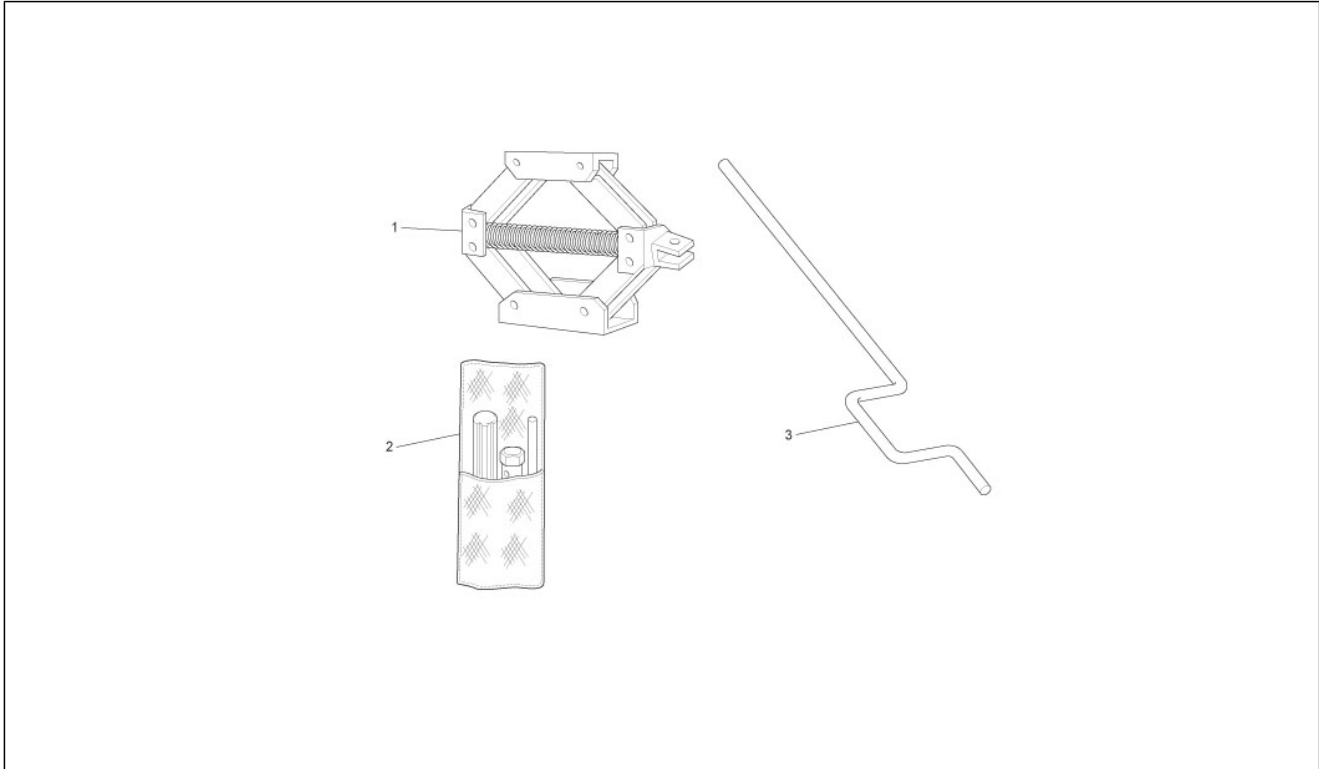
Pos.	Code	Description	Qty	Variants
1	264089	"Piaggio" Plate	1	
2	613927	Decal	1	Technical specification: TOP Version[TOP], Closed box body[VF], Short deck[VPC], long deck[VPL]
3	569562	Rear label Ape Cross	1	Technical specification: CROSS Version[CROSS]
4	569564	Rear label Ape Cross	1	Technical specification: CROSS Version[CROSS]
5	B007029	Front shield decal 40°	1	Technical specification: 40th Anniversary[40°], CROSS Version[CROSS]
6	B007030	Doors number plate decal 40°	1	Technical specification: 40th Anniversary[40°], CROSS Version[CROSS]
7	B007031	Windshield graphic 40° Anniversary	1	Technical specification: 40th Anniversary[40°], CROSS Version[CROSS]
8	B007032	Checkered flag graphic	1	Technical specification: 40th Anniversary[40°], CROSS Version[CROSS]
9	B007033	Piaggio logo	1	Technical specification: 40th Anniversary[40°]
10	B007034	Flag graphic on the right door	1	Technical specification: 40th Anniversary[40°], CROSS Version[CROSS]
11	B007035	Flag graphic on the left door	1	Technical specification: 40th Anniversary[40°], CROSS Version[CROSS]
12	B007036	Flag graphic on the right probe	1	Technical specification: 40th Anniversary[40°], CROSS Version[CROSS]
13	B007037	Flag graphic on the left probe	1	Technical specification: 40th Anniversary[40°], CROSS Version[CROSS]
14	B007038	Checkered flag graphic on the probe	1	Technical specification: 40th Anniversary[40°], CROSS Version[CROSS]
15	B007039	Logo 40° Anniversary	1	Technical specification: 40th Anniversary[40°], CROSS Version[CROSS]
16	B007040	Classic graphic on the right door	1	Technical specification: 40th Anniversary[40°], Closed box body[VF]
17	B007041	Classic graphic on the left door	1	Technical specification: 40th Anniversary[40°], Closed box body[VF]
18	B007042	Left blue band on the shield	1	Technical specification: 40th Anniversary[40°], Closed box body[VF]

Group	Frame - Plastic parts - Coachwork
Code	02.38
Description	Plates - Emblems
Service	1



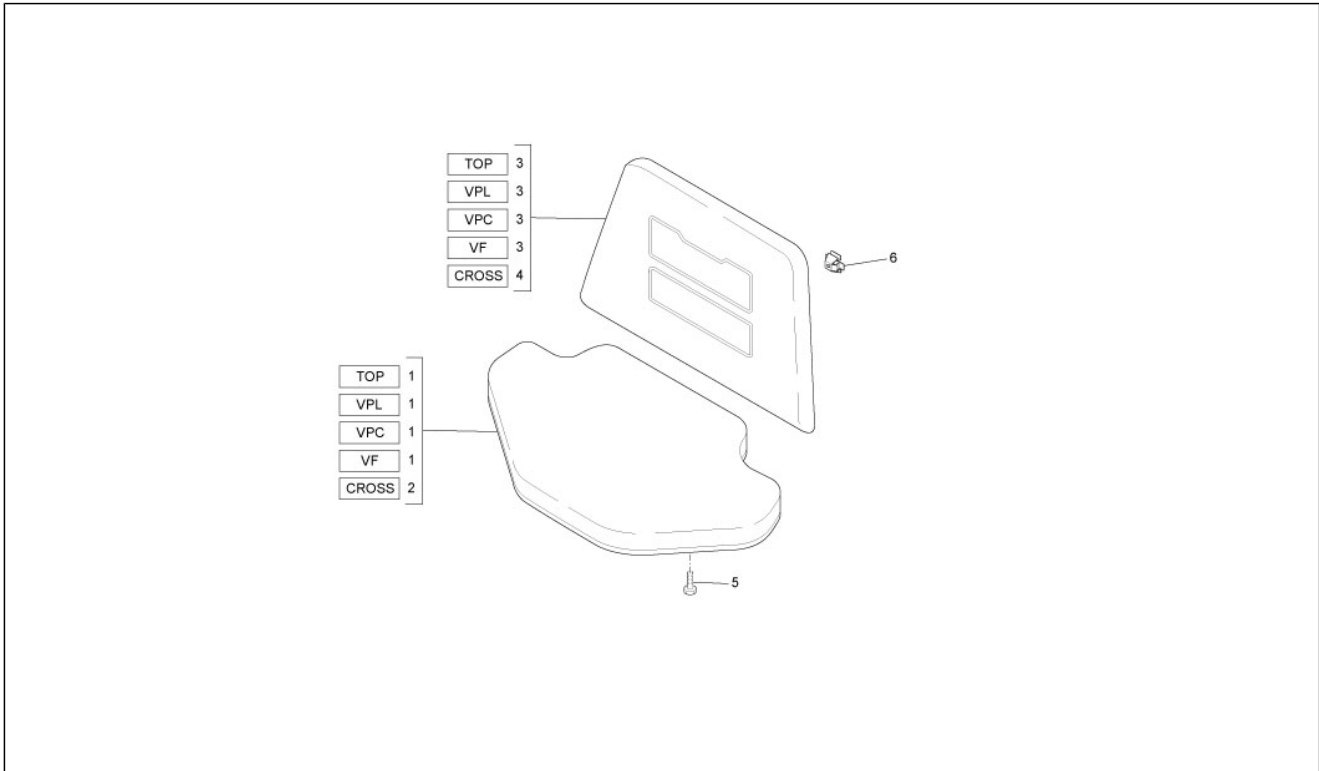
Pos.	Code	Description	Qty	Variants
19	B007043	right blue band on the shield	1	Technical specification: 40th Anniversary[40°], Closed box body[VF]
20	B007044	Logo Ape	1	Technical specification: 40th Anniversary[40°], Closed box body[VF]
21	B007045	Right Graphic 40° Anniversary	1	Technical specification: 40th Anniversary[40°], Closed box body[VF]
22	B007046	Left Graphic 40° Anniversary	1	Technical specification: 40th Anniversary[40°], Closed box body[VF]
23	B007047	Graphic on the tailboard Ape	1	Technical specification: 40th Anniversary[40°], Closed box body[VF]
24	B007066	Chromed central strip	1	Technical specification: 40th Anniversary[40°], Closed box body[VF]
25	B007067	Chromed upper/lower strip	2	Technical specification: 40th Anniversary[40°], Closed box body[VF]
26	B007102	Red band graphic on the roll bar	1	Technical specification: 40th Anniversary[40°], CROSS Version[CROSS]

Group	Frame - Plastic parts - Coachwork
Code	02.39
Description	Saddle/seats - Tool roll
Service	1



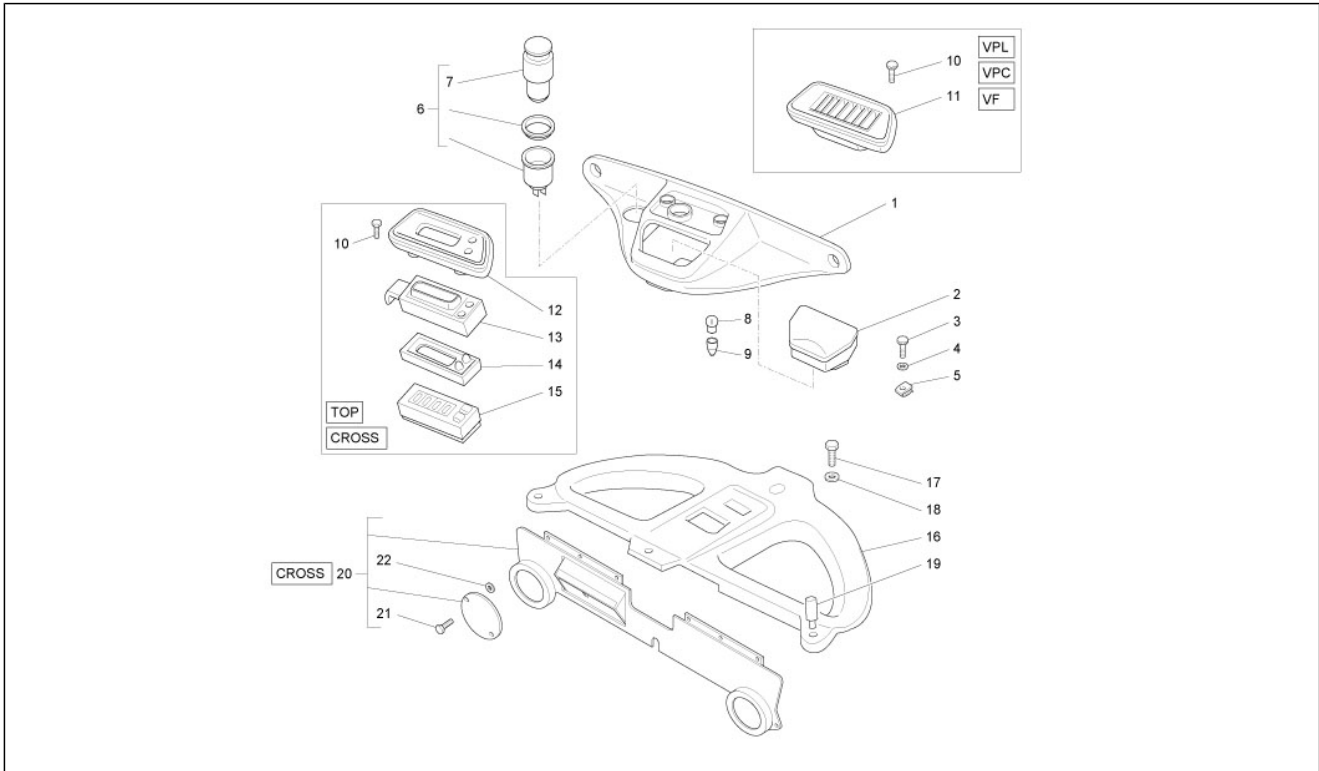
Pos.	Code	Description	Qty	Variants
1	55568R	***JACK ASSY PANTOGRAPH	1	
2	561865	Tool roll	1	
3	566871	Jack handle	1	

Group	Frame - Plastic parts - Coachwork
Code	02.40
Description	Front seats
Service	1



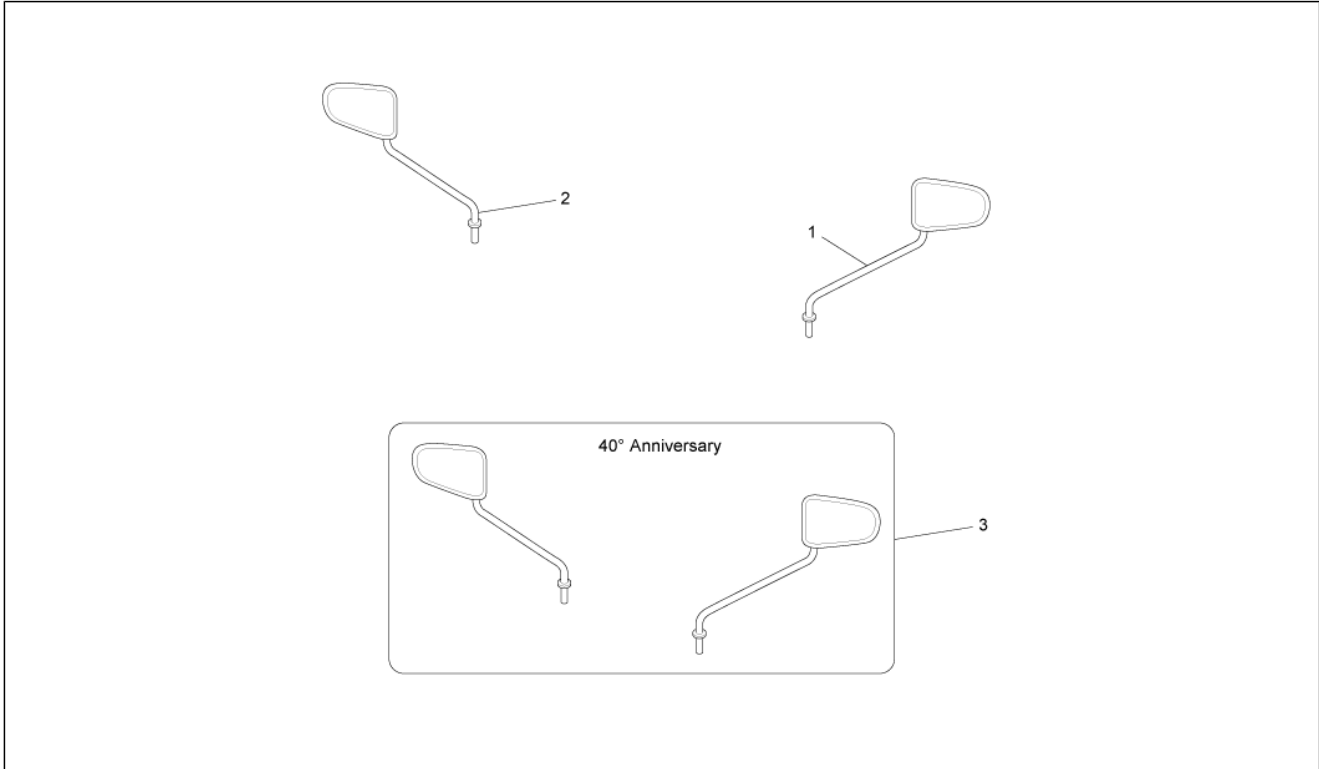
Pos.	Code	Description	Qty	Variants
1	B007056	Red cushion	1	Technical specification: 40th Anniversary[40°], CROSS Version[CROSS]
1	B007063	Blue cushion	1	Technical specification: 40th Anniversary[40°], Closed box body[VF]
1	CM031502	Pillon seat	1	Technical specification: TOP Version[TOP], Closed box body[VF], Short deck[VPC], long deck[VPL]
2	B007057	Red backrest	1	Technical specification: 40th Anniversary[40°], CROSS Version[CROSS]
2	B007064	Blue backrest	1	Technical specification: 40th Anniversary[40°], Closed box body[VF]
2	CM031503	Pillon seat	1	Technical specification: CROSS Version[CROSS]
3	CM030802	Seat back	1	Technical specification: TOP Version[TOP], Closed box body[VF], Short deck[VPC], long deck[VPL]
4	CM030803	Seat back	1	Technical specification: CROSS Version[CROSS]
5	9165160620000	Bolt	4	
6	194721	Clip	2	

Group	Frame - Plastic parts - Coachwork
Code	02.42
Description	Interior lining
Service	1



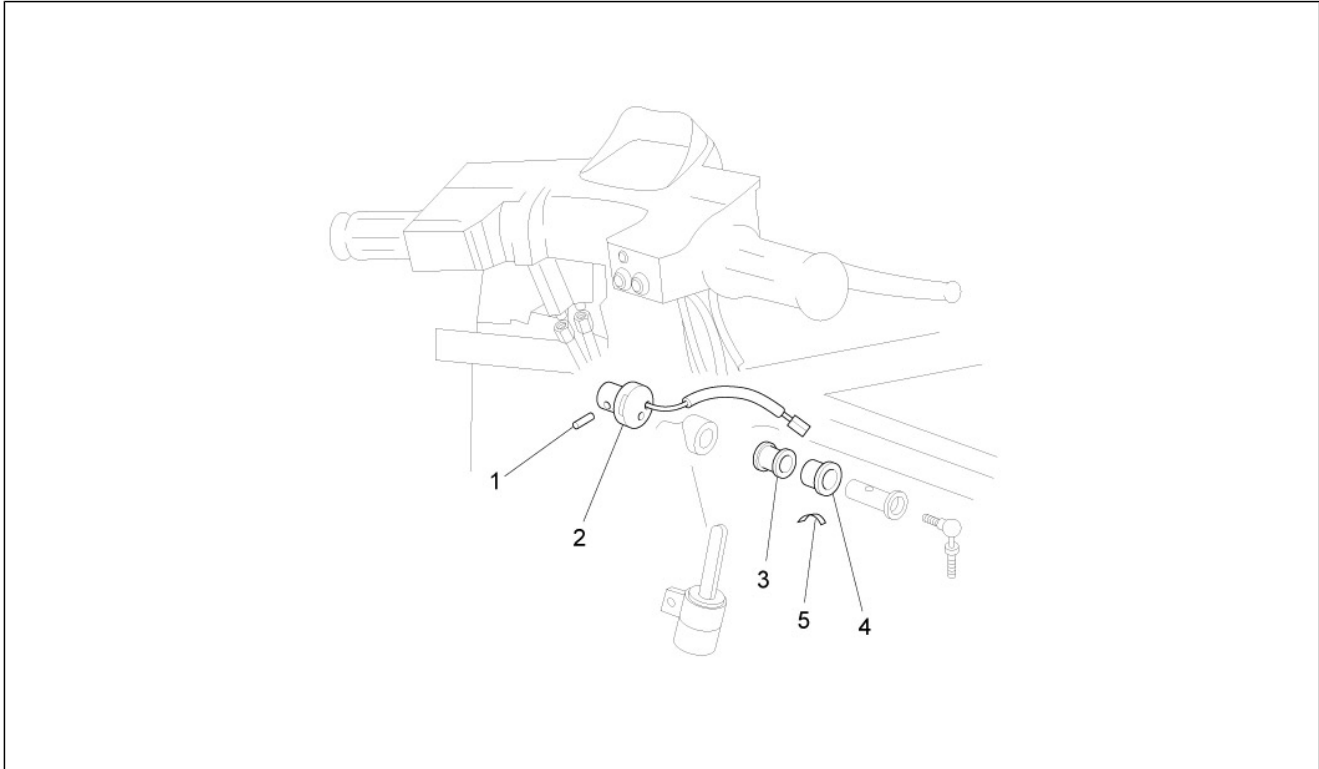
Pos.	Code	Description	Qty	Variants
1	567191	Upper central dashboard	1	
2	178745	Ash-try	1	
3	018536	Self-tap screw 3,5x13	3	
4	256382	Washer	3	
5	CM017402	***SPRING PLATE	1	
6	565429	Electric lighter	1	
7	565561	Electric lighter	1	
8	164634	12v-1.2w bulb	1	
9	217100	Lampholder	1	
10	008432	Screw d3,5x9,5	2	
11	567196	Coin tray cover	1	
12	567194	Cover	1	
13	580888	Glass	1	
14	580887	Gasket	1	
15	580886	Digital clock	1	
16	CM031101	Dashboard panel	1	
17	031056	screw M5x12	1	
18	006018	Washer	1	
19	118259	Cover	3	
20	568939	Dashboard panel	1	
21	015911	Self tapping screw 4,2x16	6	
22	CM017408	Plate	2	

Group	Frame - Plastic parts - Coachwork
Code	02.45
Description	Driving mirror/s
Service	1



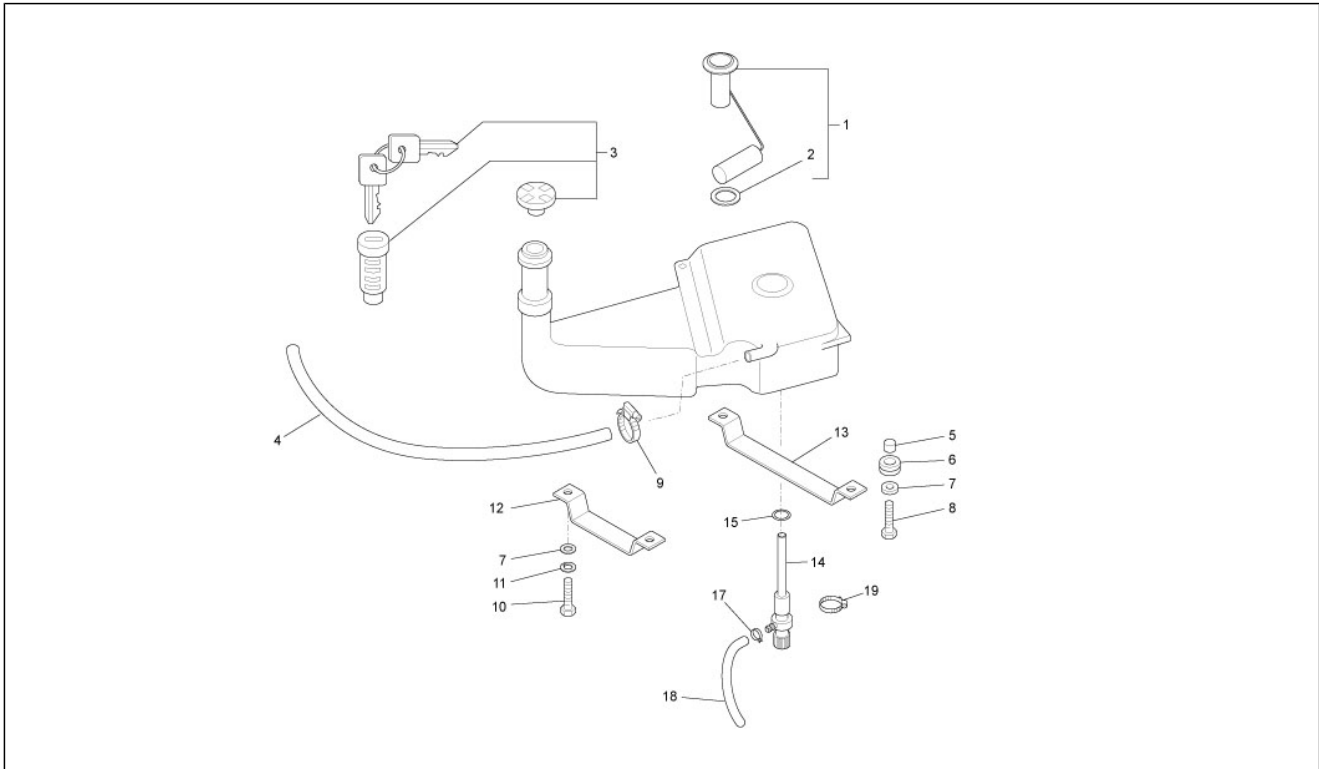
Pos.	Code	Description	Qty	Variants
1	569615	RH rearview mirror	1	
2	569614	LH rearview mirror	1	
3	836399	Rear-view mirrors torque	1	Technical specification: 40th Anniversary[40°]

Group	Frame - Plastic parts - Coachwork
Code	02.46
Description	Locks
Service	1



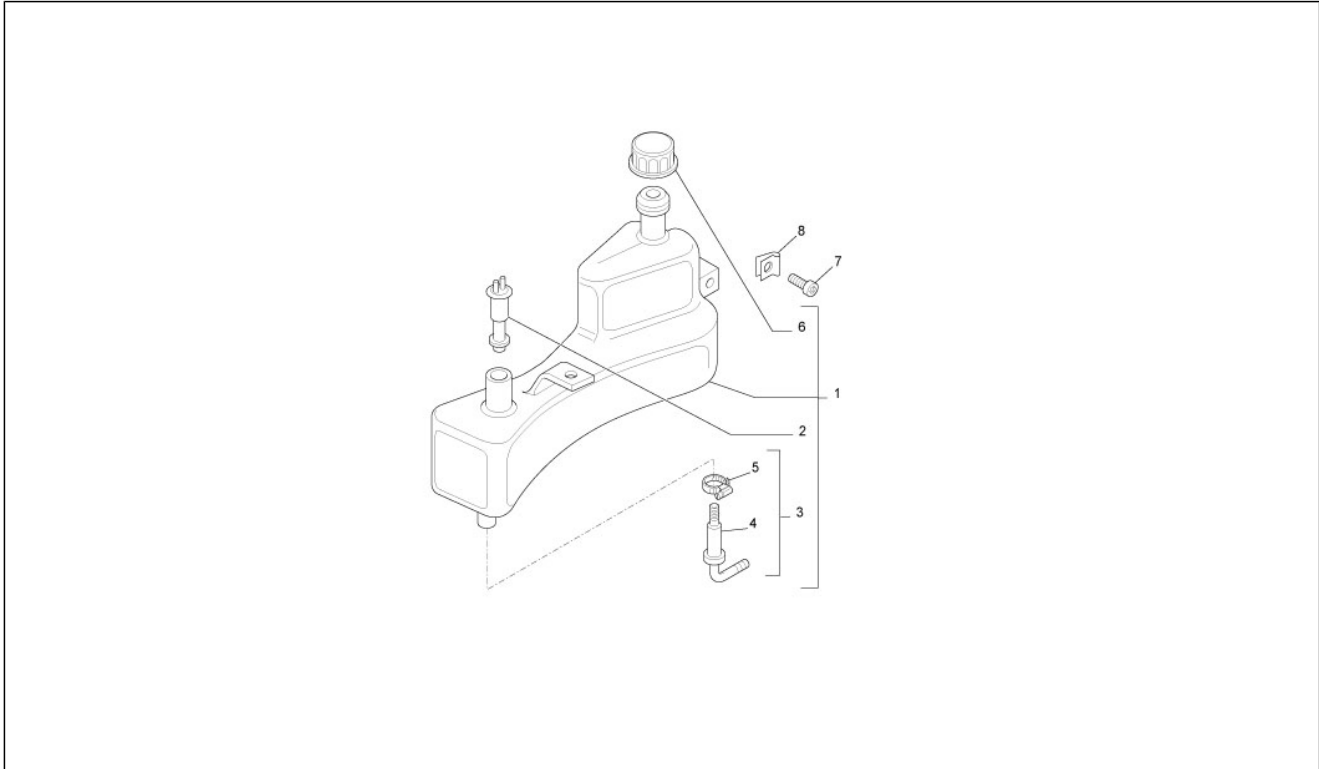
Pos.	Code	Description	Qty	Variants
1	018515	Dowel	1	
2	291582	Switch	1	
3	178562	Block	1	
4	178558	Lock body	1	
5	178559	Plate	1	

Group	Frame - Plastic parts - Coachwork
Code	02.47
Description	Fuel tank
Service	1



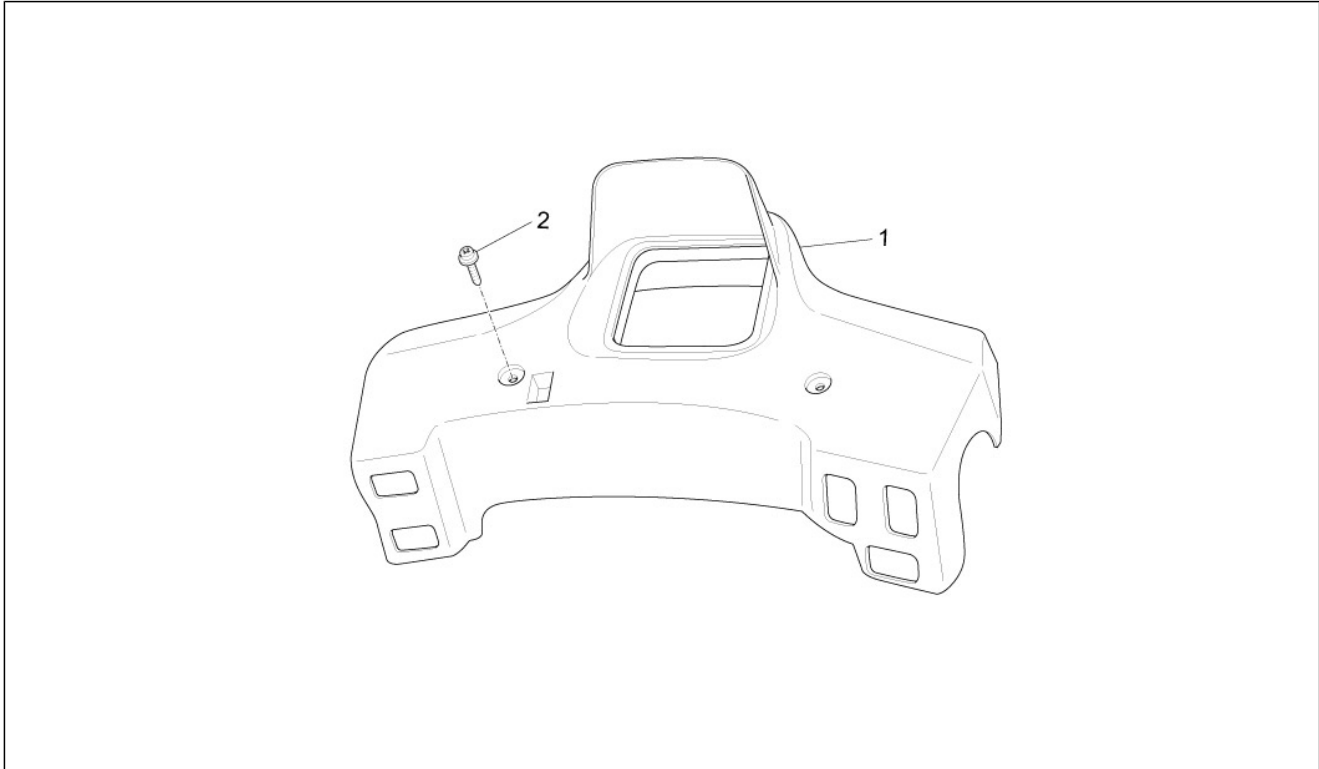
Pos.	Code	Description	Qty	Variants
1	291530	Fuel level gauge	1	
2	258161	Gasket	1	
3	612461	***KIT SERRAT.E T	1	
4	CM031701	pipe	1	
5	256416	Spacer	2	
6	256415	Drift	2	
7	016406	Spring washer 6,4x11,8x1	4	
8	031089	Hex screw M6x18	2	
9	CM002907	Hose clamp	1	
10	709674	Hex socket screw M6x20	4	
11	016406	Spring washer 6,4x11,8x1	4	
12	255800	Band	1	
13	255799	Band	1	
14	189320	Cock	1	
15	196868	Gasket	1	
16	568254	Fuel tank	1	
17	256074	Hose clamp	1	
18	CM002503	pipe	1	
19	577557	Hose clamp	1	

Group	Frame - Plastic parts - Coachwork
Code	02.52
Description	Oil tank
Service	1



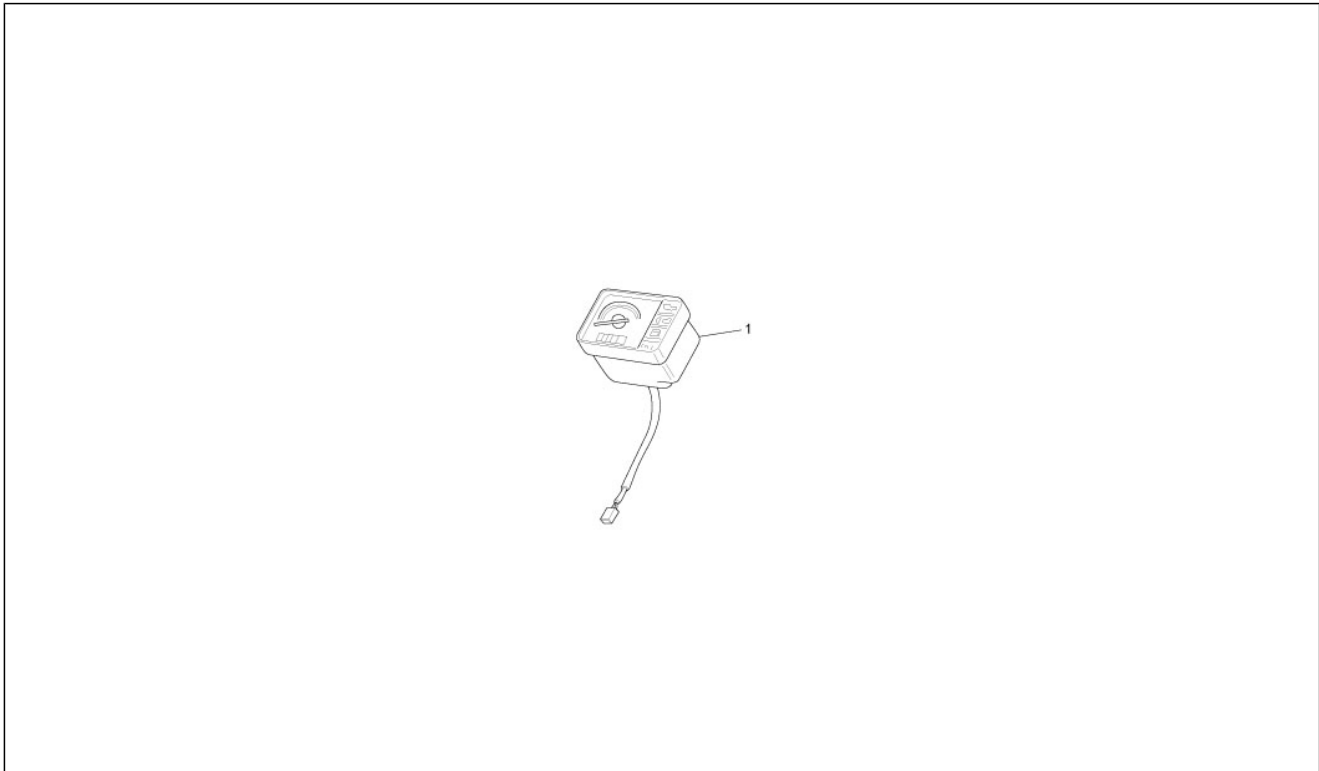
Pos.	Code	Description	Qty	Variants
1	566960	Oil tank	1	
2	573080	Float	1	
3	574362	Complete coupling	1	
4	196868	Gasket	1	
5	577557	Hose clamp	1	
6	566962	Oil ins.pl.	1	
7	575249	Screw with tang M6	2	
8	254485	Spring plate M6	1	

Group	Handlebars/Steering
Code	03.01
Description	Handlebars coverages
Service	1



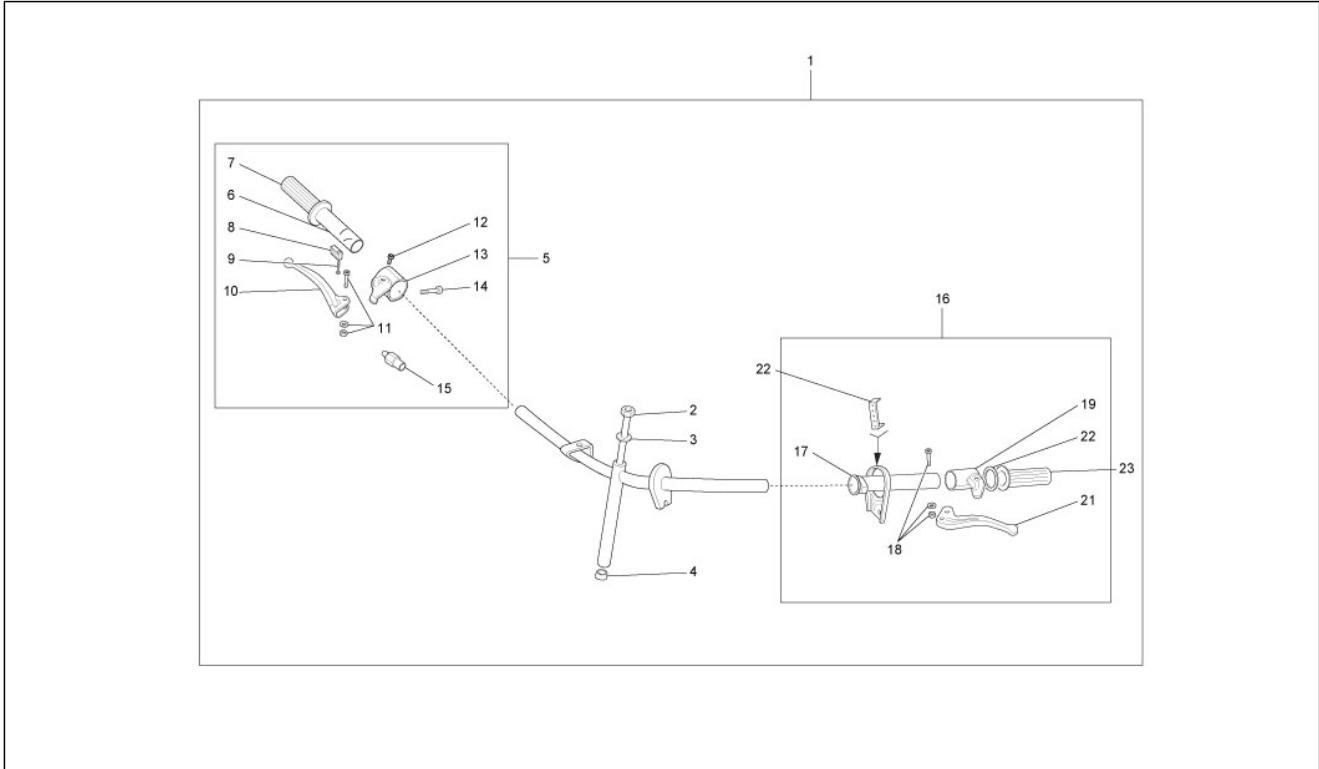
Pos.	Code	Description	Qty	Variants
1	261406	Handlebars shell	1	
2	008457	Self-tap screw M4,2x19	2	

Group	Handlebars/Steering
Code	03.02
Description	Meter combination - Cruscotto
Service	1



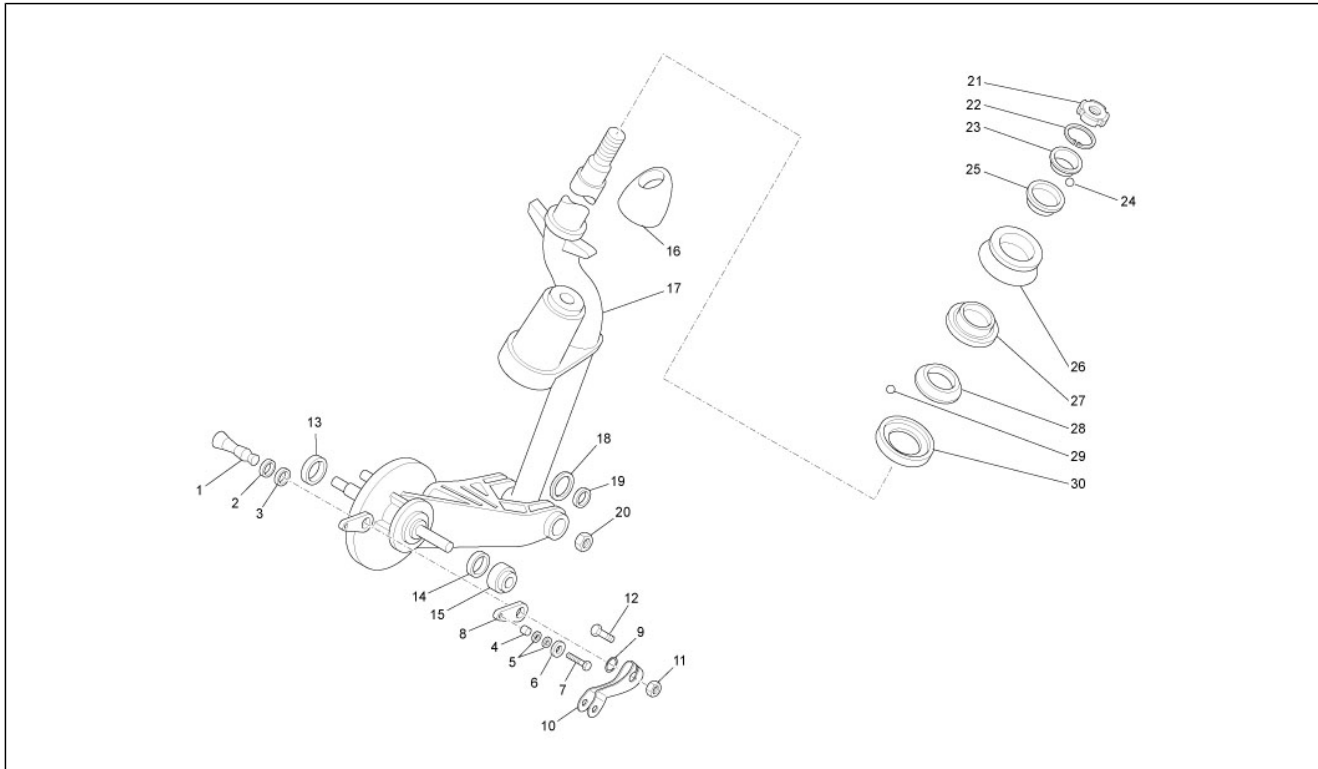
Pos.	Code	Description	Qty	Variants
1	B000719	***METER ASSY COMBINATION	1	

Group	Handlebars/Steering
Code	03.06
Description	Handlebars - Master cil.
Service	1



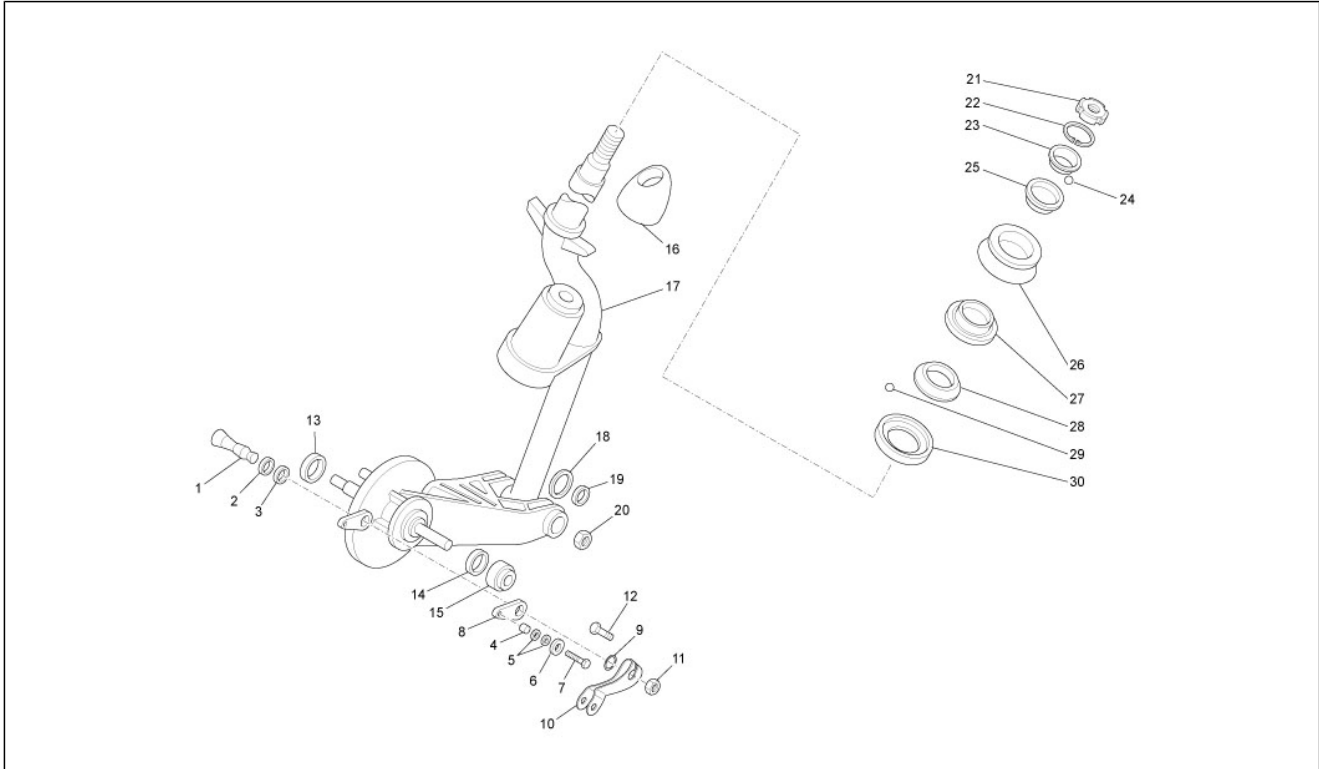
Pos.	Code	Description	Qty	Variants
1	5669975	Handlebars, assy.	1	
2	226352	Bolt	1	
3	126612	Washer	1	
4	116298	Cone	1	
5	566485	Throttle grip	1	
6	272382	***TUBE	1	
7	229741	Grip	1	
8	229935	Sliding block	1	
9	123391	Sec. screw	1	
10	261689	Lever	1	
11	265249	screw	1	
12	123389	screw	1	
13	265858	Hose	1	
14	123394	Screw with bushing	1	
15	580953	stop Button	1	
16	261476	pipe	1	
17	265728	pipe	1	
18	265249	screw	1	
19	265861	Hose	1	
20	123390	Washer	1	
21	261688	Lever	1	
22	569215	Sector	1	
23	229741	Grip	1	

Group	Suspensions - Wheels
Code	04.02
Description	Fork/steering tube - Steering bearing unit
Service	1



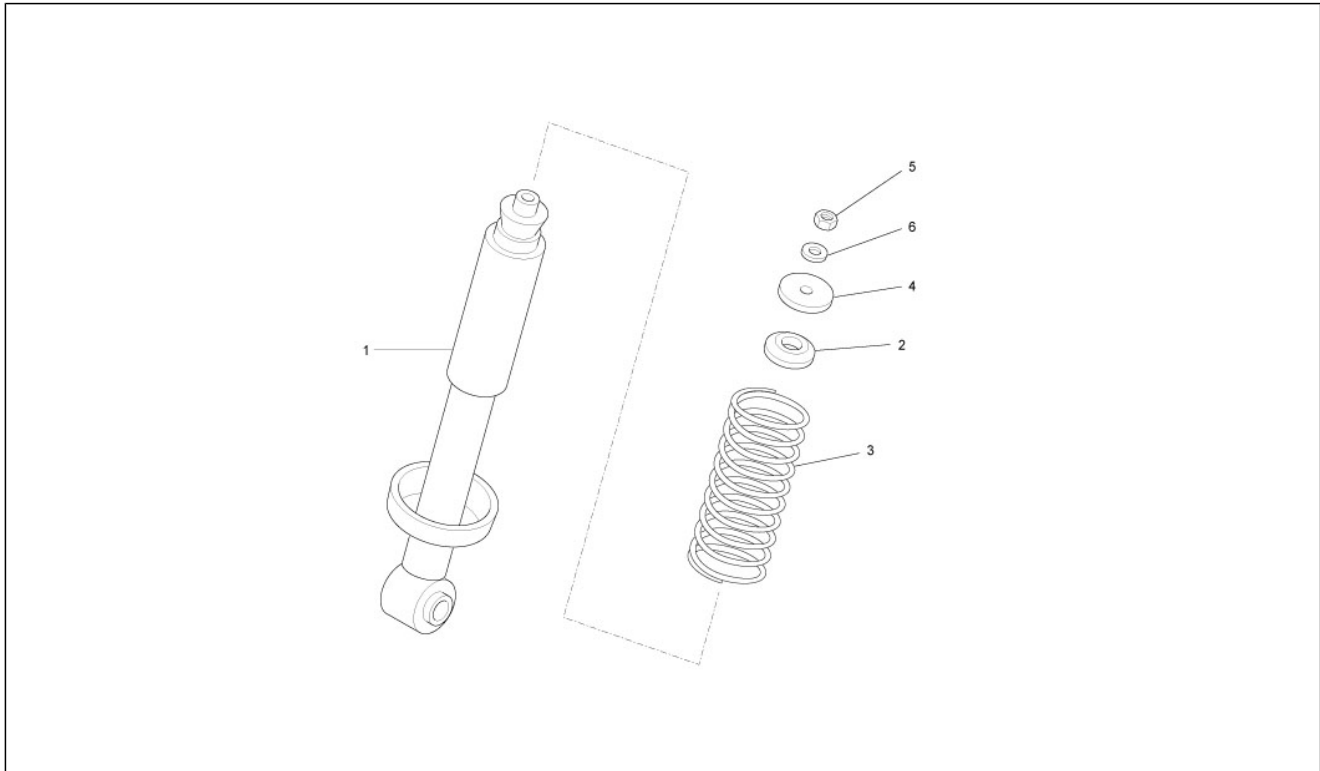
Pos.	Code	Description	Qty	Variants
1	567199	Brake lever	1	
2	273419	Gasket ring	1	
3	274246	Flat washer 22x12,1x1	1	
4	179574	Spacer	1	
5	007608	Belleville spring	2	
6	179575	Washer	1	
7	031088	screw M6x16	1	
8	274249	plate	1	
9	006714	O-ring	1	
10	567198	Brake lever shaft	1	
11	126409	Nut	1	
12	414837	Screw w/ flange M6x25	1	
13	021460	Ring	1	
14	177468	Disc	1	
15	006844	Nut	1	
16	261400	Cover	1	
17	5680565001	Steering column tube Cat.1	1	
17	5680565002	Steering column tube Cat.2	1	
17	5680565003	Steering column tube Cat.3	1	
18	006731	Gasket	2	
19	119219	Gasket ring	2	
20	137146	Drawn cap	2	
21	011109	Steering tube ring nut	1	
22	003751	Washer of the steering	1	
23	568932	Ring nut	1	
24	014246	Ball	28	
25	568931	Bearing housing	1	
26	119215	Dust cover	1	

Group	Suspensions - Wheels
Code	04.02
Description	Fork/steering tube - Steering bearing unit
Service	1



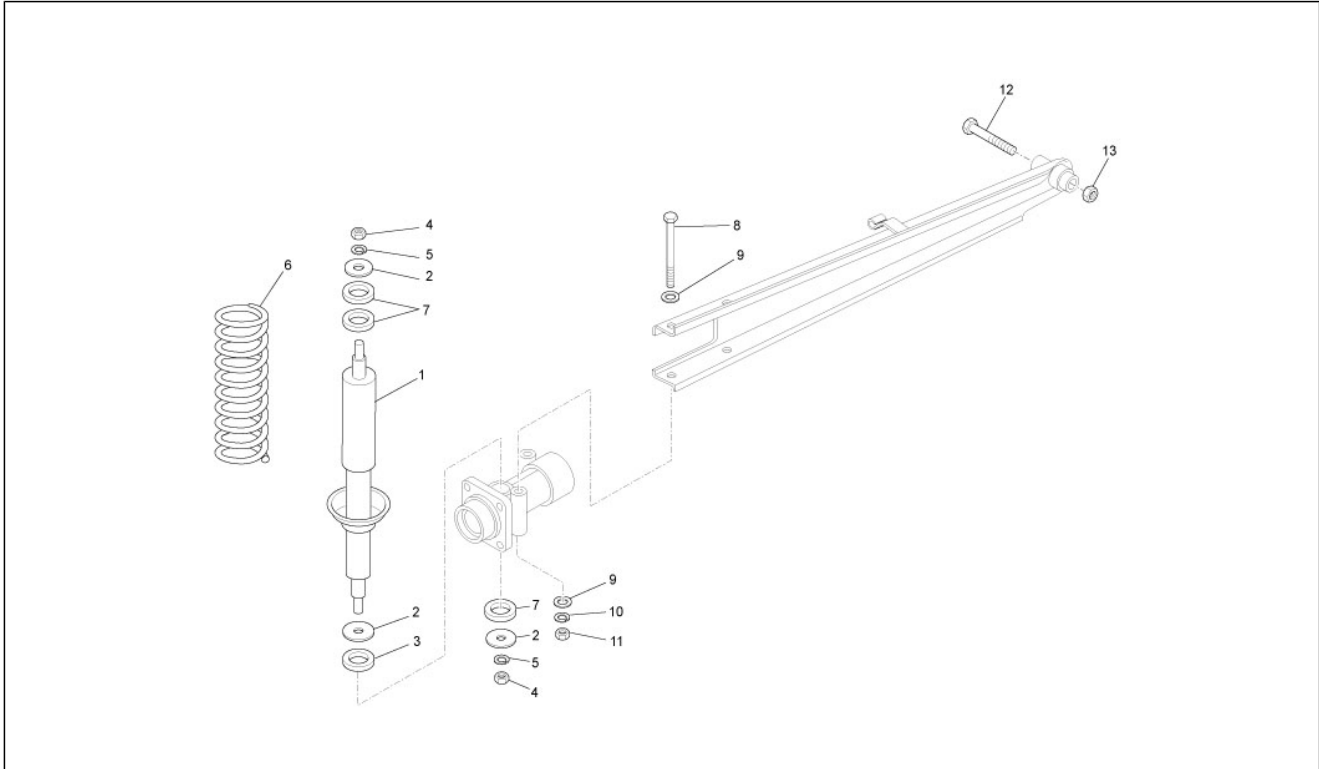
Pos.	Code	Description	Qty	Variants
27	568934	Outer thrust bearing	1	
28	568933	Bearing housing	1	
29	006380	Ball	20	
30	119216	Washer	1	

Group	Suspensions - Wheels
Code	04.07
Description	Front suspension - Shock absorber/s
Service	1



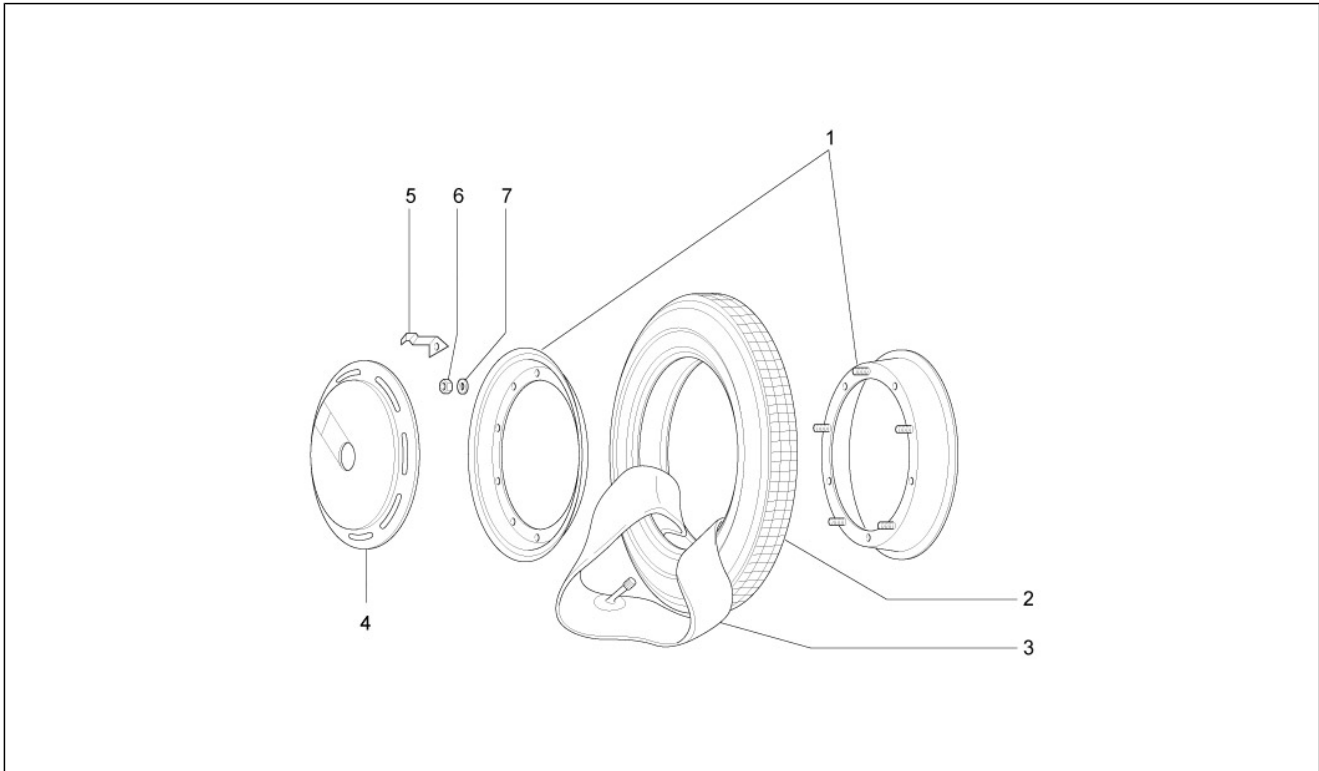
Pos.	Code	Description	Qty	Variants
1	646463	***AMMORTIZZ.ANTE	1	
2	174874	Drift	1	
3	119878	Spring	1	
4	567427	Washer	1	
5	021110	Nut	1	
6	016410	Washer 17,6x11x2,5	1	

Group	Suspensions - Wheels
Code	04.10
Description	Rear suspension - Shock absorber/s
Service	1



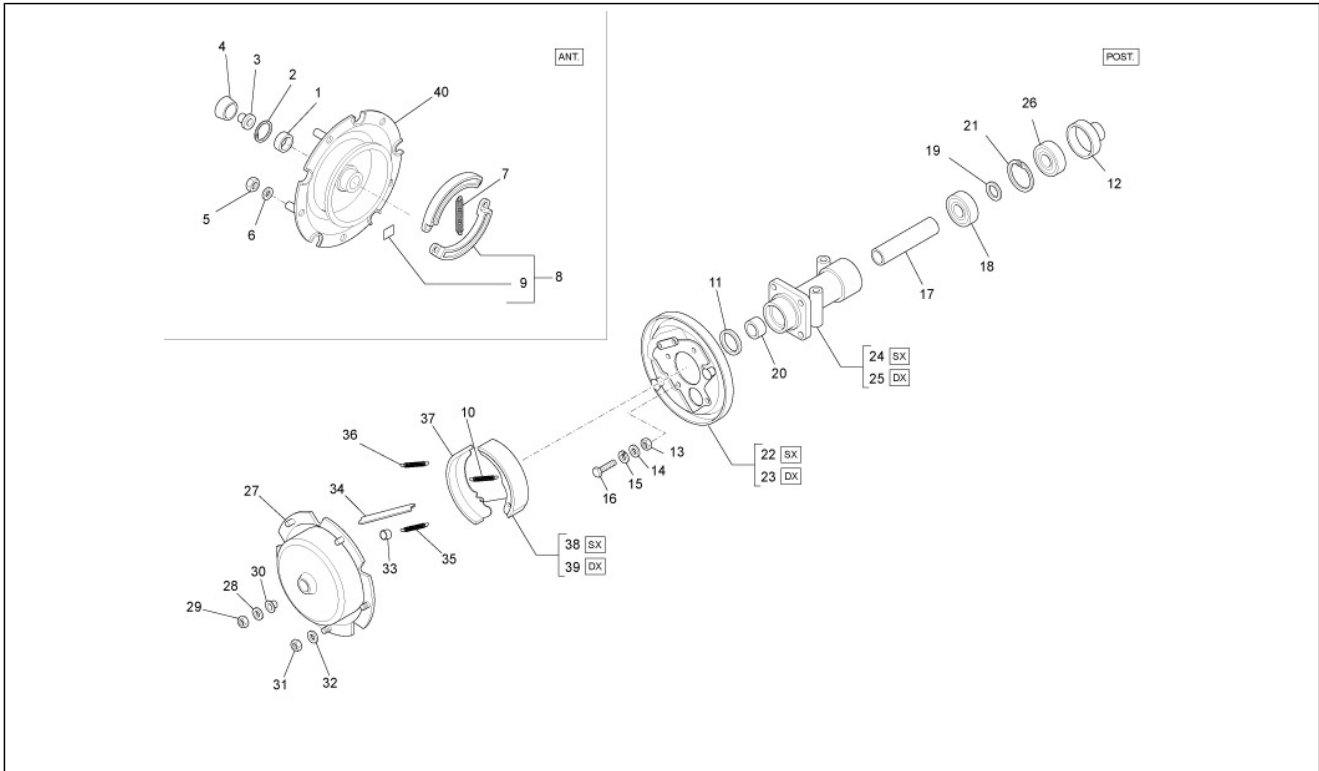
Pos.	Code	Description	Qty	Variants
1	646464	***DAMPER	2	
2	567427	Washer	2	
3	174874	Drift	1	
4	021110	Nut	2	
5	260467	Spring washer	2	
6	116733	Spring	1	
7	116140	Drift	2	
8	015582	screw	4	
9	078783	Washer	4	
10	260467	Spring washer	1	
11	020110	Nut	4	
12	030101	screw	2	
13	002440	Self locking nut M10	2	

Group	Suspensions - Wheels
Code	04.13
Description	Front and rear wheels
Service	1



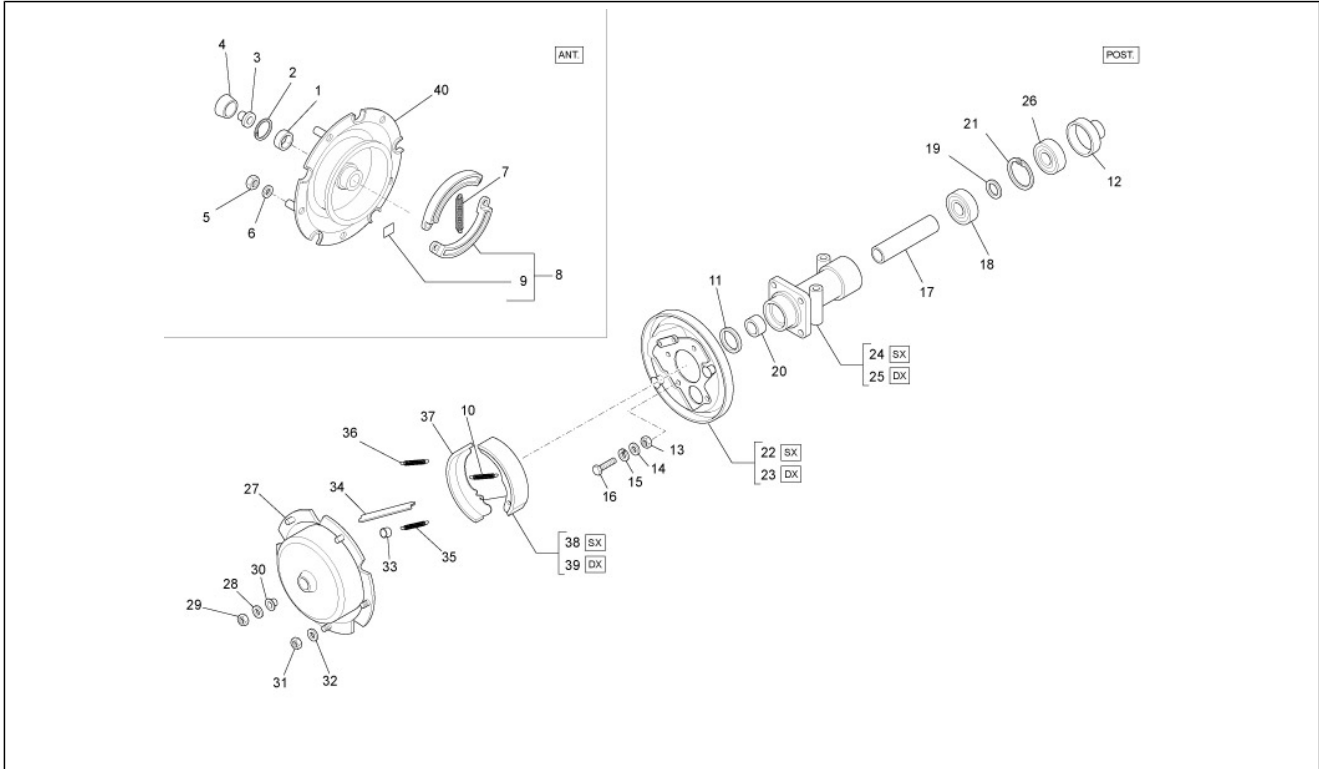
Pos.	Code	Description	Qty	Variants
1	2497595	Wheel rim	1	
1	B007048	Wheel rim (black)	1	Technical specification: 40th Anniversary[40°], CROSS Version[CROSS]
1	B007050	Wheel rim (chromed)	1	Technical specification: 40th Anniversary[40°], Closed box body[VF]
2	56500R	Tyre	1	
3	228663	Inner tube	1	
4	255661	Wheel cap	3	
5	260232	Spring	9	
6	810688	Nut	20	
7	016408	Spring washer 13,75x8,15x4,5	20	

Group	Braking system - Transmissions
Code	05.02
Description	Brake jaw
Service	1



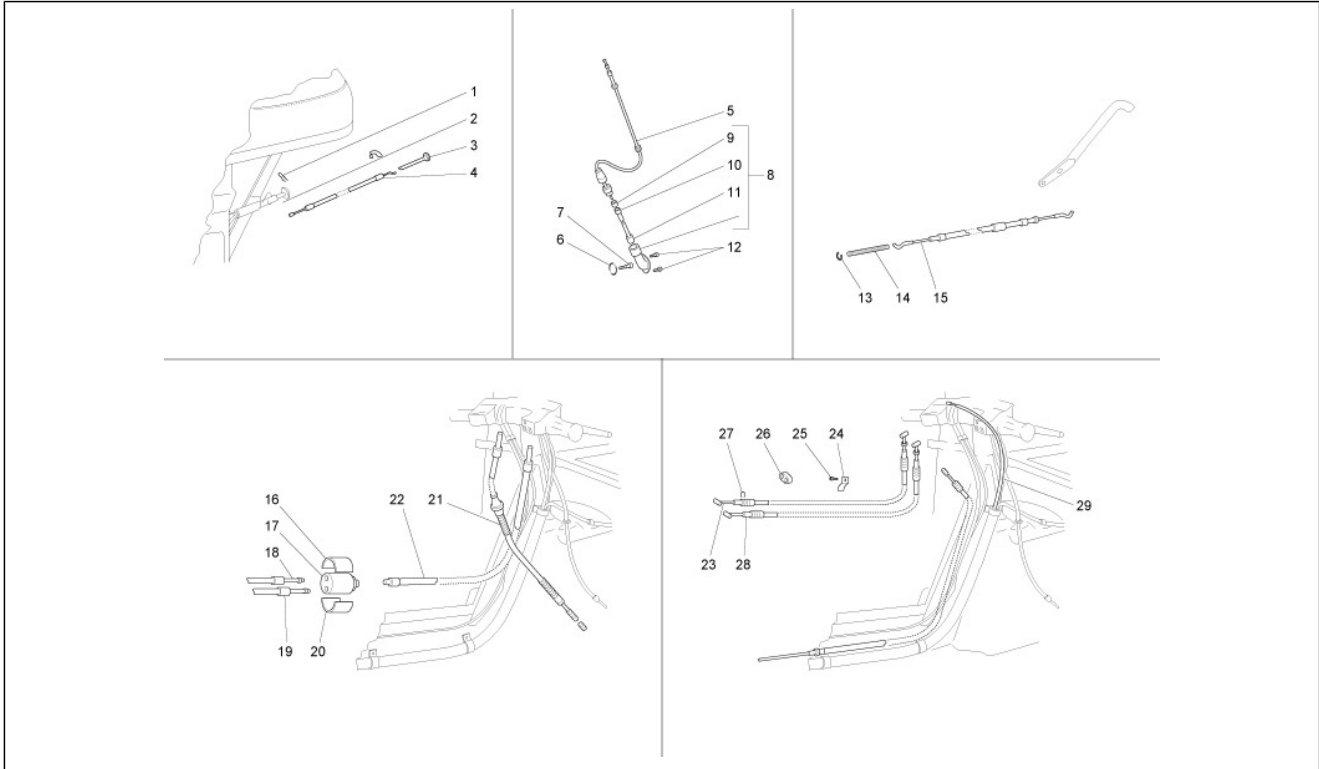
Pos.	Code	Description	Qty	Variants
1	002800	Bearing	1	
2	006632	Snap ring	1	
3	709041	Nut	1	
4	126410	Cap	1	
5	810688	Nut	20	
6	016408	Spring washer 13,75x8,15x4,5	20	
7	025990	Spring	1	
8	567314	Brake jaw	2	
9	090878	Plate	1	
10	117456	Spring	4	
11	118058	Oil seal	2	
12	119941	Cup	2	
13	020104	Nut M4	1	
14	003054	Washer 4,3x8x0,5	1	
15	003058	Washer 15x8,4x1,5	8	
16	031119	screw	8	
17	1280795	Spacer	2	
18	434735	Bearing 20x47x14	2	
19	136808	Spacer	2	
20	128080	Drawn cap	1	
21	006647	Circlip	2	
22	117436T	***DISC	1	
23	117437T	Chair disk support	1	
24	1199361	Hub wheel	1	
25	1199371	Hub wheel	1	
26	119940	Ring	2	
27	116441	Drum	2	
28	003014	Washer	2	

Group	Braking system - Transmissions
Code	05.02
Description	Brake jaw
Service	1



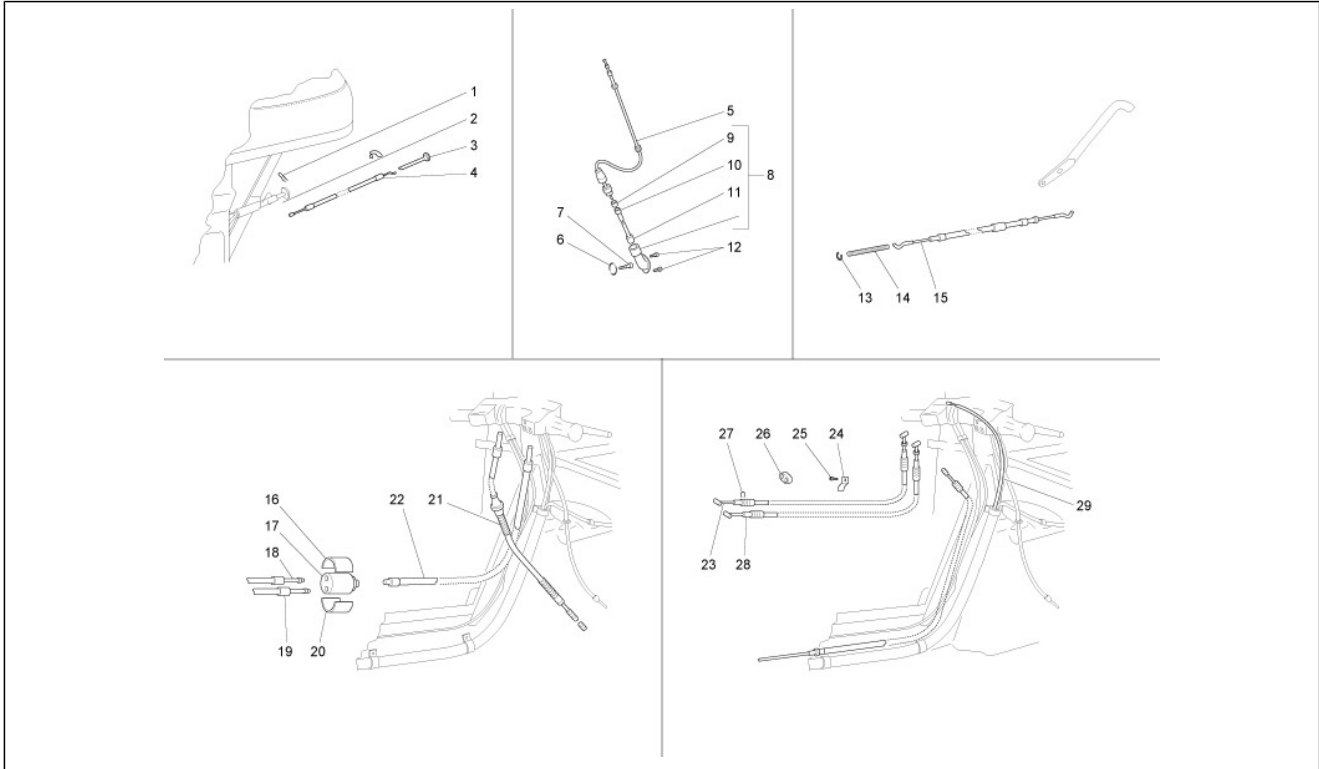
Pos.	Code	Description	Qty	Variants
29	074521	Nut	1	
30	116097	Cone	2	
31	810688	Nut	8	
32	016408	Spring washer 13,75x8,15x4,5	8	
33	057939	Drift	2	
34	117457	Rod	2	
35	267495	Spring	2	
36	116112	Spring	2	
37	414131	Brake jaw	2	
38	2705065	Left jaw	1	
39	2705075	Right jaw	1	
40	2682270001	Brake drum Cat.1	1	
40	2682270002	Brake drum Cat.2	1	
40	2682270003	Brake drum Cat.3	1	

Group	Braking system - Transmissions
Code	05.03
Description	Transmissions
Service	1



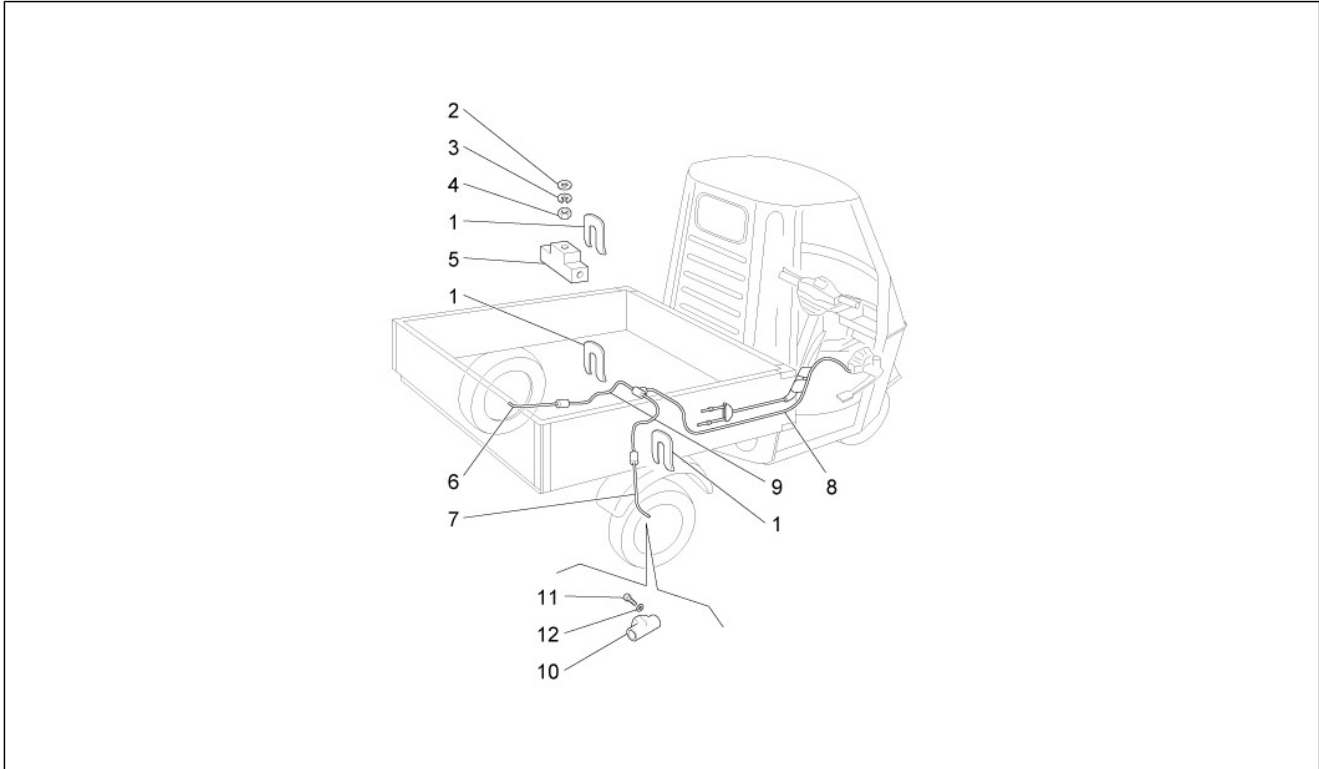
Pos.	Code	Description	Qty	Variants
1	075962	Spring	1	
2	183321	Spring	1	
3	567083	Knob	1	
4	612790	***TRASM.COMPL.CO	1	
5	188636	Transmission	1	
6	017503	Oil seal	1	
7	125256	Gear	1	
8	1252535	Engine support	1	
9	117402	Ring	1	
10	117401	Bush	1	
11	125254	Pinion	1	
12	125647	screw	2	
13	258646	Transmission	1	
14	118806	Bellows	1	
15	181351	Spring plate	1	
16	271977	Splitter upper protection	1	
17	269571	Splitter	1	
18	567103	Trasmission	1	
19	567104	Splitter	1	
20	271976	Splitter lower protection	1	
21	566484	Transmission	1	
22	658205	***TRANSMISSION CONT. ACCEL.	1	
23	658207	***TRANSMISSION CONT.SHIFT	1	
24	018732	Clip	1	
25	008432	Screw d3,5x9,5	4	
26	127071	Fairlead	1	
27	005967	Ring	2	
28	658208	***TRANSMISSION CONT.SHIFT	1	

Group	Braking system - Transmissions
Code	05.03
Description	Transmissions
Service	1



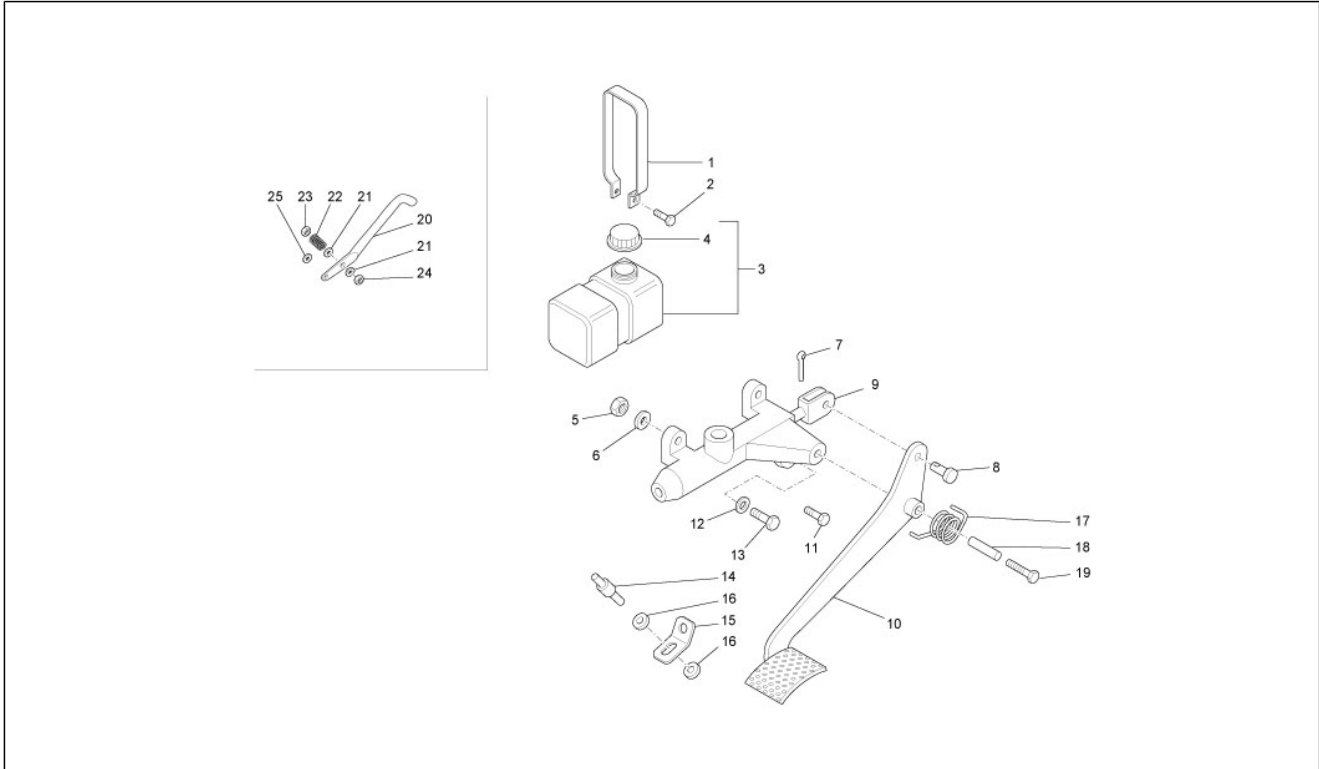
Pos.	Code	Description	Qty	Variants
29	658206	***TRANSMISSION	1	

Group	Braking system - Transmissions
Code	05.04
Description	Braking system
Service	1



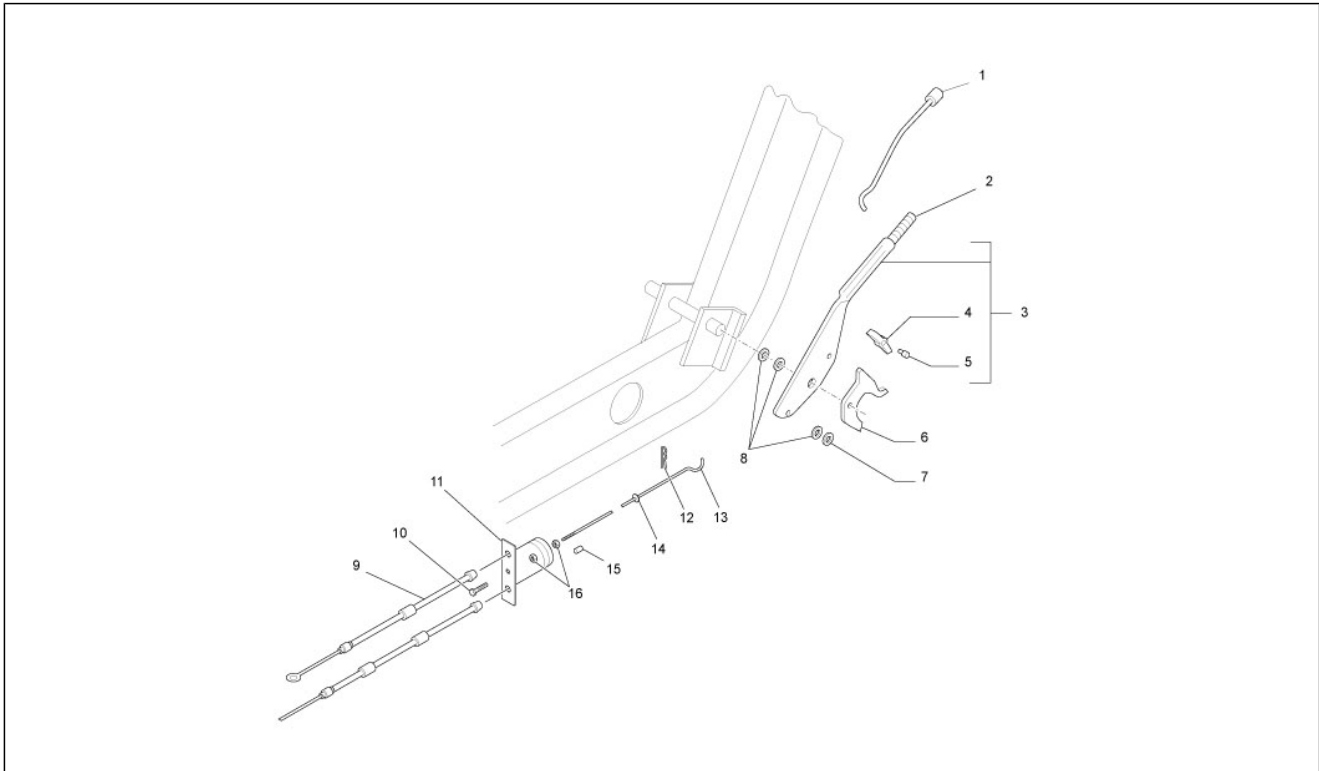
Pos.	Code	Description	Qty	Variants
1	119807	Front fork	2	
2	016406	Spring washer 6,4x11,8x1	1	
3	003056	Flat washer 6,4x12x1	2	
4	020106	Nut M6	2	
5	136371	Union	1	
6	174525	Piping	1	
7	174526	Piping	1	
8	174523	pipe	1	
9	174524	pipe	2	
10	2457652	Break cylinder	2	
11	063440	screw	4	
12	012536	Washer	4	

Group	Braking system - Transmissions
Code	05.05
Description	Control pedals - Levers
Service	1



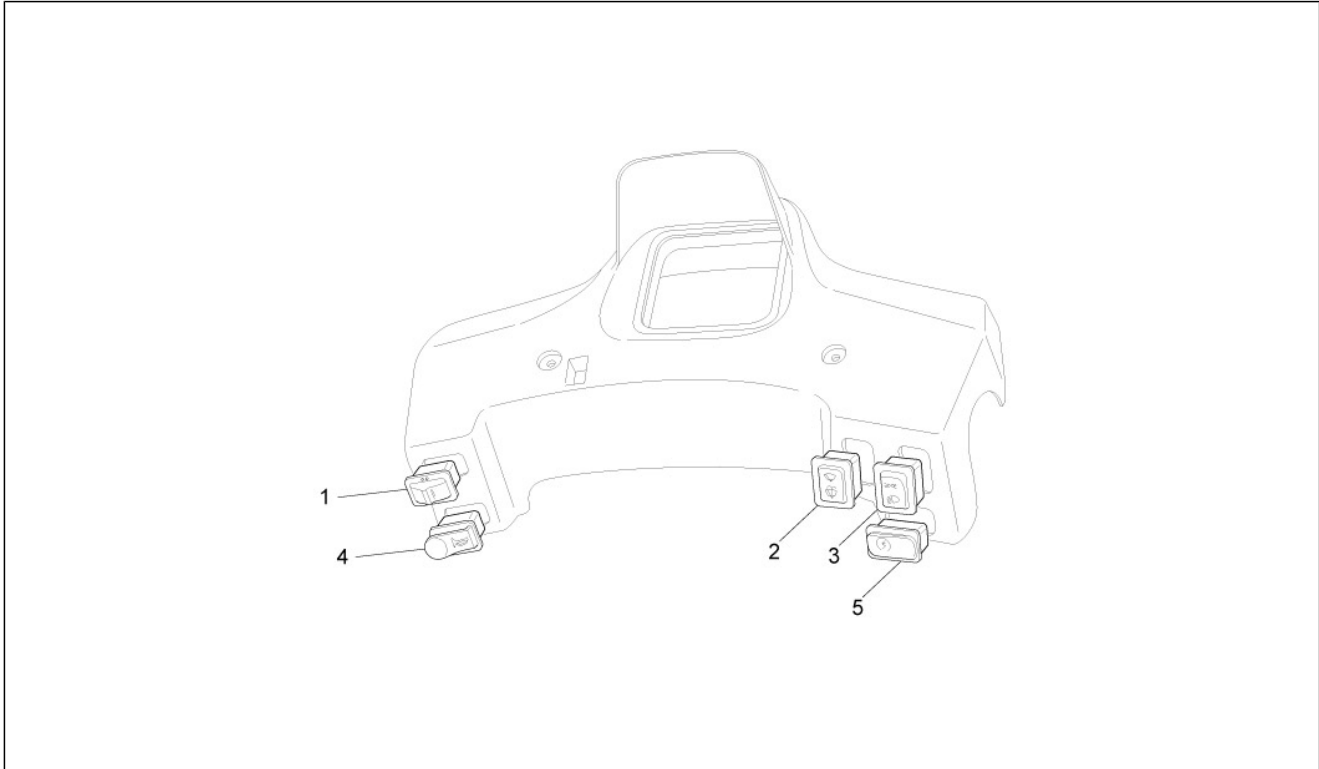
Pos.	Code	Description	Qty	Variants
1	247446	Hose clamp	1	
2	008432	Screw d3,5x9,5	1	
3	2466335	Brake oil tank	1	
4	119597	Cover	1	
5	020008	Nut M8	3	
6	9451100800000	Washer	3	
7	012761	Split pin	1	
8	074451	Pin	1	
9	249519	Brakes pump	1	
10	117459	Brake pedal	1	
11	031120	screw	2	
12	020206	Nut M6	1	
13	076955	screw	1	
14	214772	stop Button	1	
15	219871	Square	1	
16	568636	Nut m12x1,5 h=7	2	
17	213550	Spring	1	
18	117464	Spacer	1	
19	030077	Bolt	1	
20	258827	Lever	1	
21	709037	Washer 12,5x20x2	2	
22	258639	Spring	1	
23	005970	Ring	2	
24	013843	Washer	1	
25	258641	Washer	1	

Group	Braking system - Transmissions
Code	05.07
Description	Parking brake
Service	1



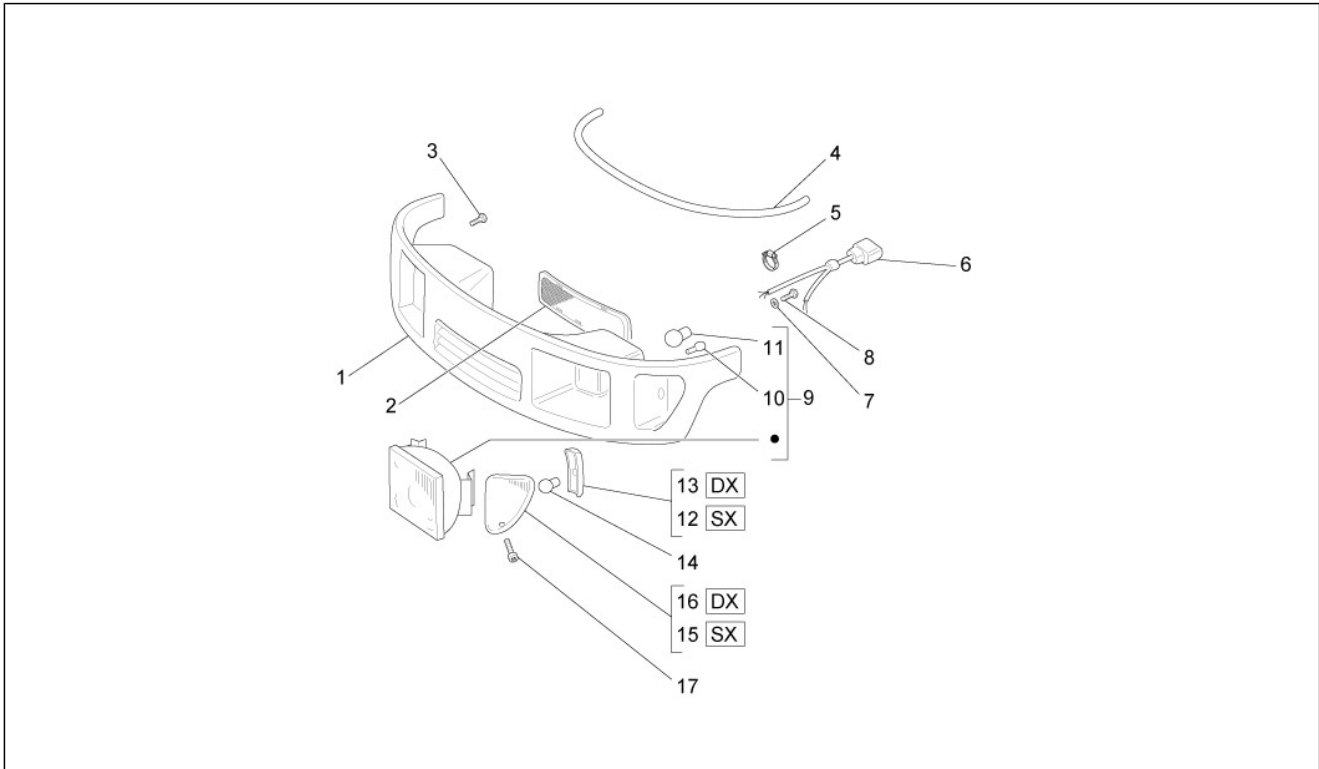
Pos.	Code	Description	Qty	Variants
1	258656	Rod	1	
2	109310	Spring	1	
3	258657	Lever	1	
4	109306	Guide pin	1	
5	109309	Pin	1	
6	1176124	Sector	1	
7	005970	Ring	1	
8	101422	Washer	3	
9	117675	Transmission	1	
10	008432	Screw d3,5x9,5	1	
11	1176175	Plate	1	
12	012768	Split pin	1	
13	117613	Tie rod	1	
14	117614	Fairlead	1	
15	117615	Spacer	1	
16	020106	Nut M6	2	

Group	Electrical system
Code	06.01
Description	Selectors - Switches - Buttons
Service	1



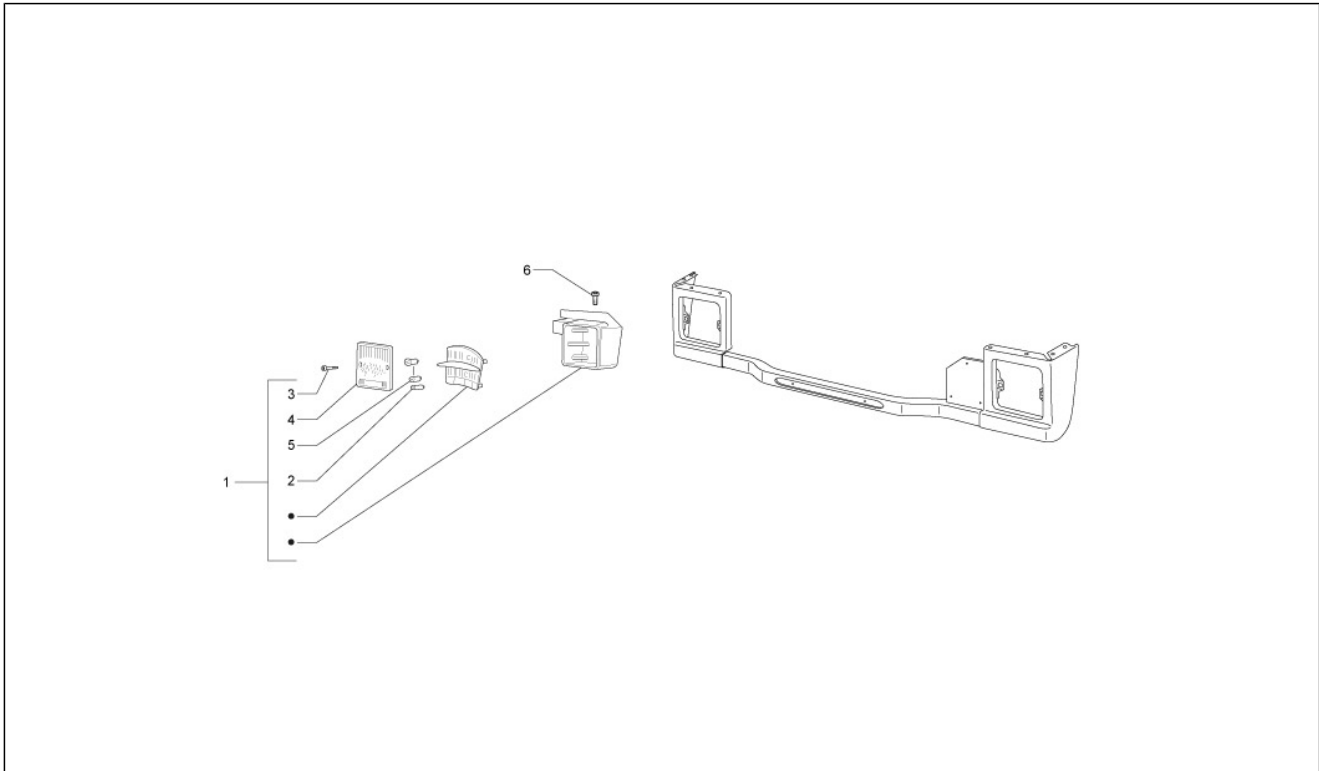
Pos.	Code	Description	Qty	Variants
1	294917	Turn signal lamps switch	1	
2	584097	***SWITCH	1	
3	294370	Switch	1	
4	292364	Button	1	
5	294398	Start pushbutton	1	

Group	Electrical system
Code	06.03
Description	Front headlamps - Turn signal lamps
Service	1



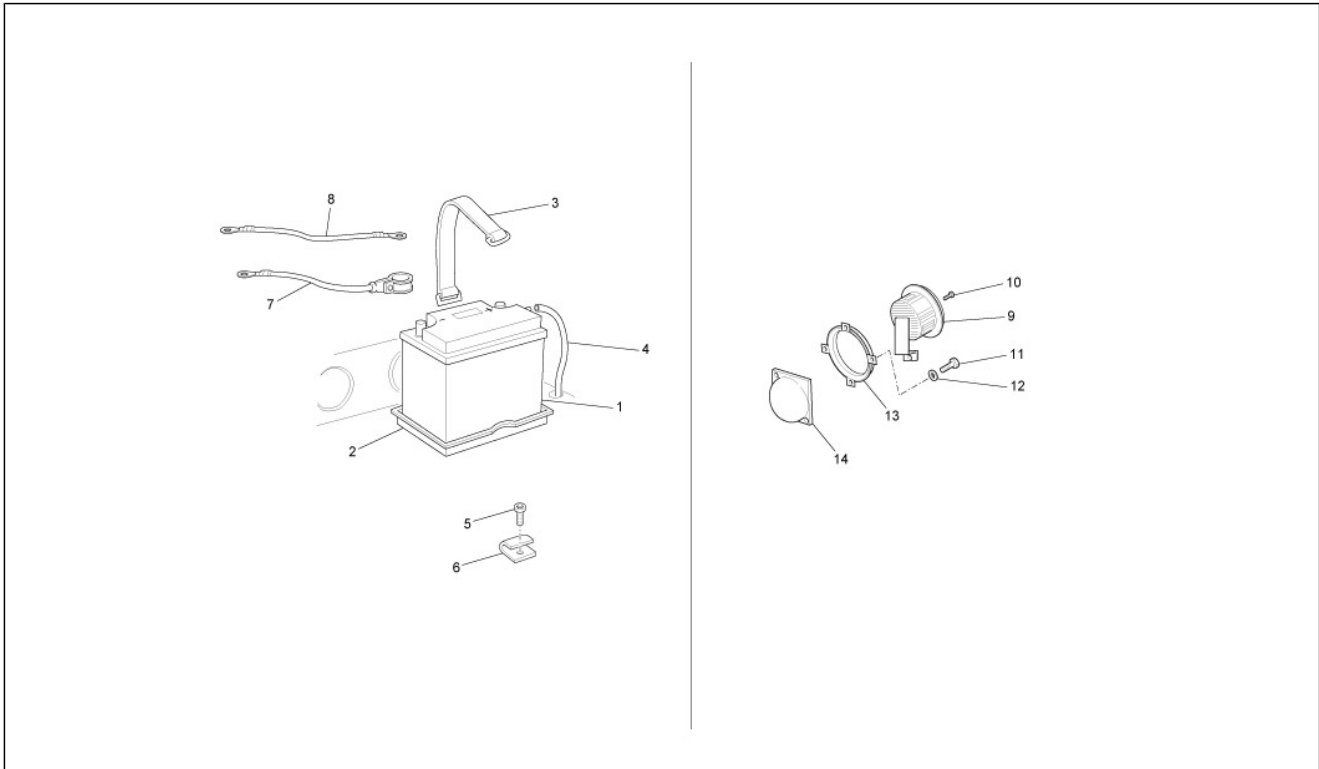
Pos.	Code	Description	Qty	Variants
1	567066	Fr. mask	1	
2	567231	Grid	1	
3	227983	Screw d4x20	2	
4	565547	Gasket	1	
5	145298	Lock-strap	2	
6	294387	Cable harness	2	
7	013836	Washer	8	
8	015728	screw	8	
9	294144	Headlamp	2	
10	294131	Lamp 12V-3W	2	
11	121539	Lamp 12V-15W	2	
12	264087	LH Lampholder	1	
13	264088	RH Lampholder	1	
14	181746	Lamp 12V-10W	2	
15	294145	L.h. glass	1	
16	294146	R.h. glass	1	
17	254246	Vite autoflettante con testa in plastica	4	

Group	Electrical system
Code	06.04
Description	Rear headlamps - Turn signal lamps
Service	1



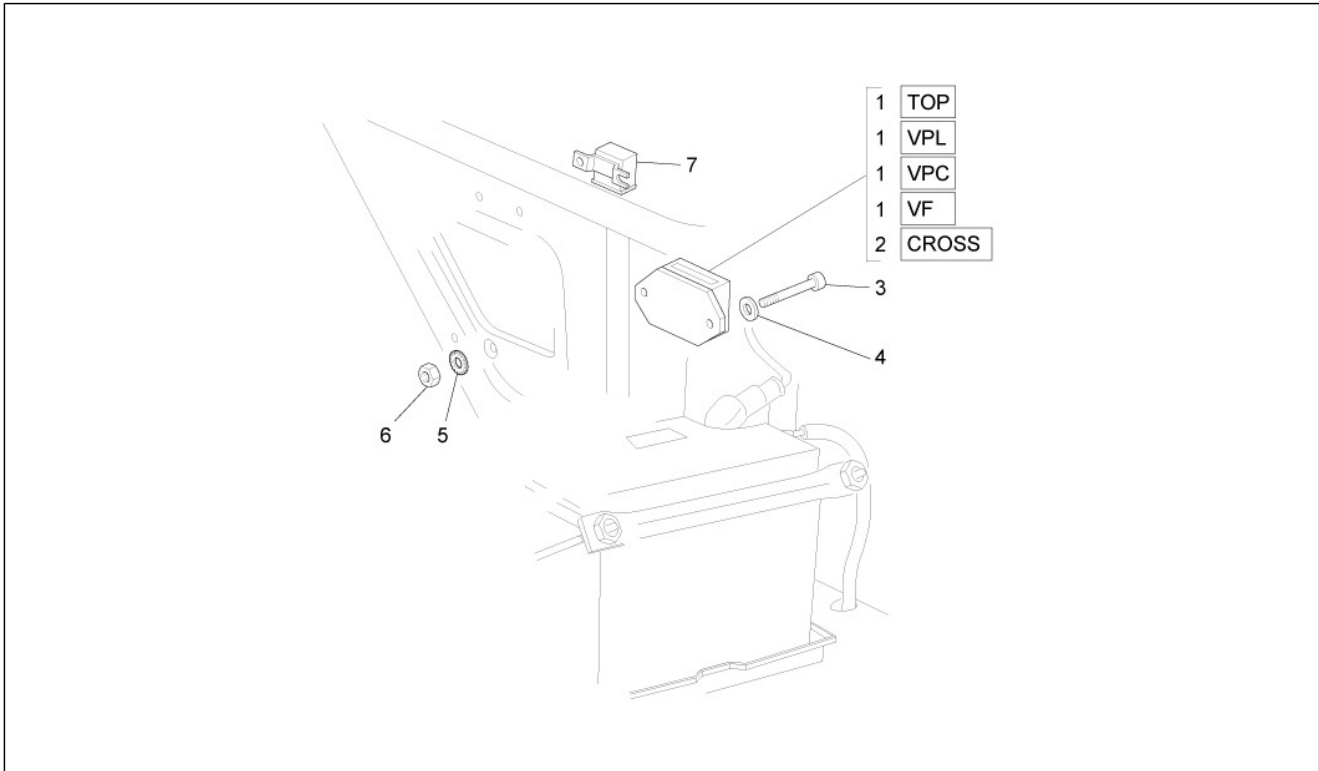
Pos.	Code	Description	Qty	Variants
1	567192	Taillight	2	
2	163015	Lamp 12V-4W	1	
3	290944	Vite autofilettante con testa in plastica	2	
4	256194	Glass	1	
5	181746	Lamp 12V-10W	2	
6	567106	Slide piece	4	

Group	Electrical system
Code	06.05
Description	Remote control switches - Battery - Horn
Service	1



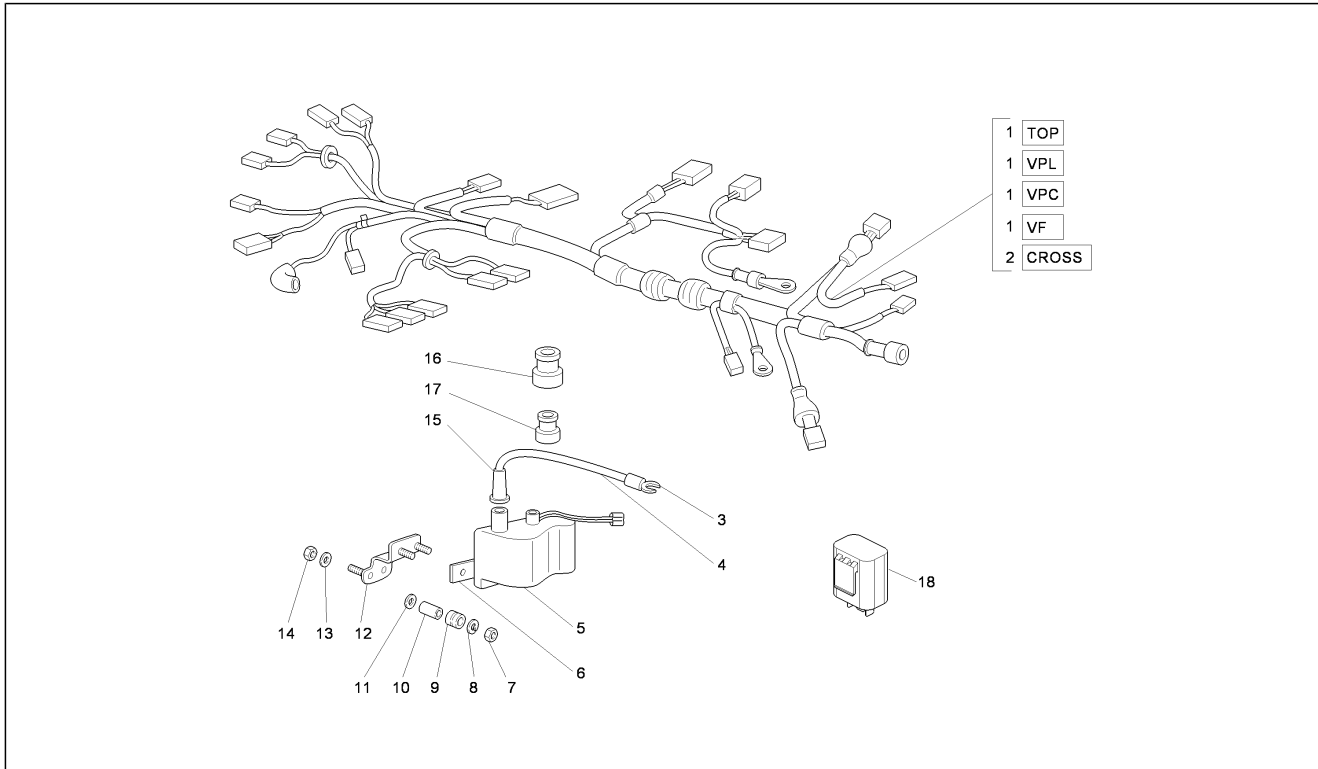
Pos.	Code	Description	Qty	Variants
1	600697M	Battery	1	
2	567426	Basin	1	
3	214801	Belt	1	
4	645581	Breather pipe	1	
5	297791	Rivet	1	
6	567424	Plate	1	
7	CM061802	Battery cable	1	
8	CM061801	Battery cable	1	
9	CM071807	Horn	1	
10	009000	screw	3	
11	015728	screw	2	
12	003054	Washer 4,3x8x0,5	2	
13	240106	Bracket	1	
14	264091	Horn cover	1	

Group	Electrical system
Code	06.06
Description	Voltage Regulators - Electronic Control Units (ecu) - H.T. Coil
Service	1



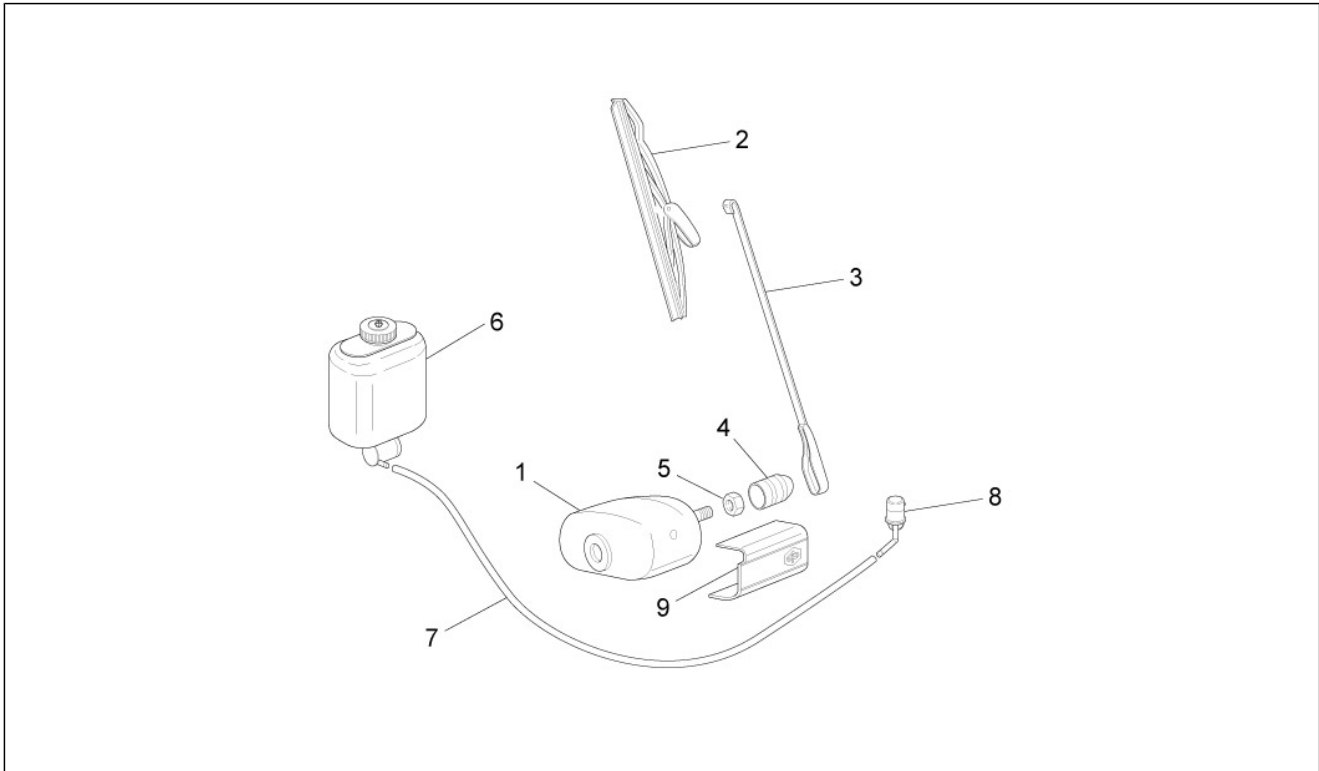
Pos.	Code	Description	Qty	Variants
1	58090R	Voltage regulator	1	
1	58096R	Voltage regulator	1	
2	2180605	Regulator	1	
3	031089	Hex screw M6x18	2	
4	003056	Flat washer 6,4x12x1	2	
5	012533	Notched washer 6,6x11x0	2	
6	020106	Nut M6	2	
7	58115R	Starter relay 12V-80A	1	

Group	Electrical system
Code	06.08
Description	Main cable harness
Service	1



Pos.	Code	Description	Qty	Variants
1	B007237	Cable harness	1	
1	CM035602	Cable harness	1	
2	CM035801	Cable harness	1	
3	127966	Terminal	1	
4	080341	HT wire	1	
5	2441285	Electronic ignition unit	1	
5	642219	Electronic ignition unit	1	
6	140617	Plate	1	
7	020106	Nut M6	4	
8	016406	Spring washer 6,4x11,8x1	4	
9	401605	Drift	2	
10	401606	Bush	2	
11	013880	Flat washer 16x6,5x1,5	2	
12	217292	Staffa supporto dispositivo accensione elettronica	1	
12	B007160	Staffa supporto dispositivo accensione elettronica	1	
13	016406	Spring washer 6,4x11,8x1	4	
14	020106	Nut M6	4	
15	231571	Insulating cap	1	
16	217421	Cap	1	
17	218988	Spring cap	1	
18	580659	Unit turn signal lamps	1	

Group	Electrical system
Code	06.16
Description	Front and rear windscreen wiper
Service	1



Pos.	Code	Description	Qty	Variants
1	582016	Wiper blade engine	1	
2	568790	Brush	1	
3	660950	***WIPER ARM	1	
4	568614	Drift	1	
5	195482	Self locking nut M6	1	
6	611872	Tank	1	
7	B004722	***SPRAYER TUBE	1	
8	B004721	***SPRAYER	1	
9	568791	Motor Protection	1	