

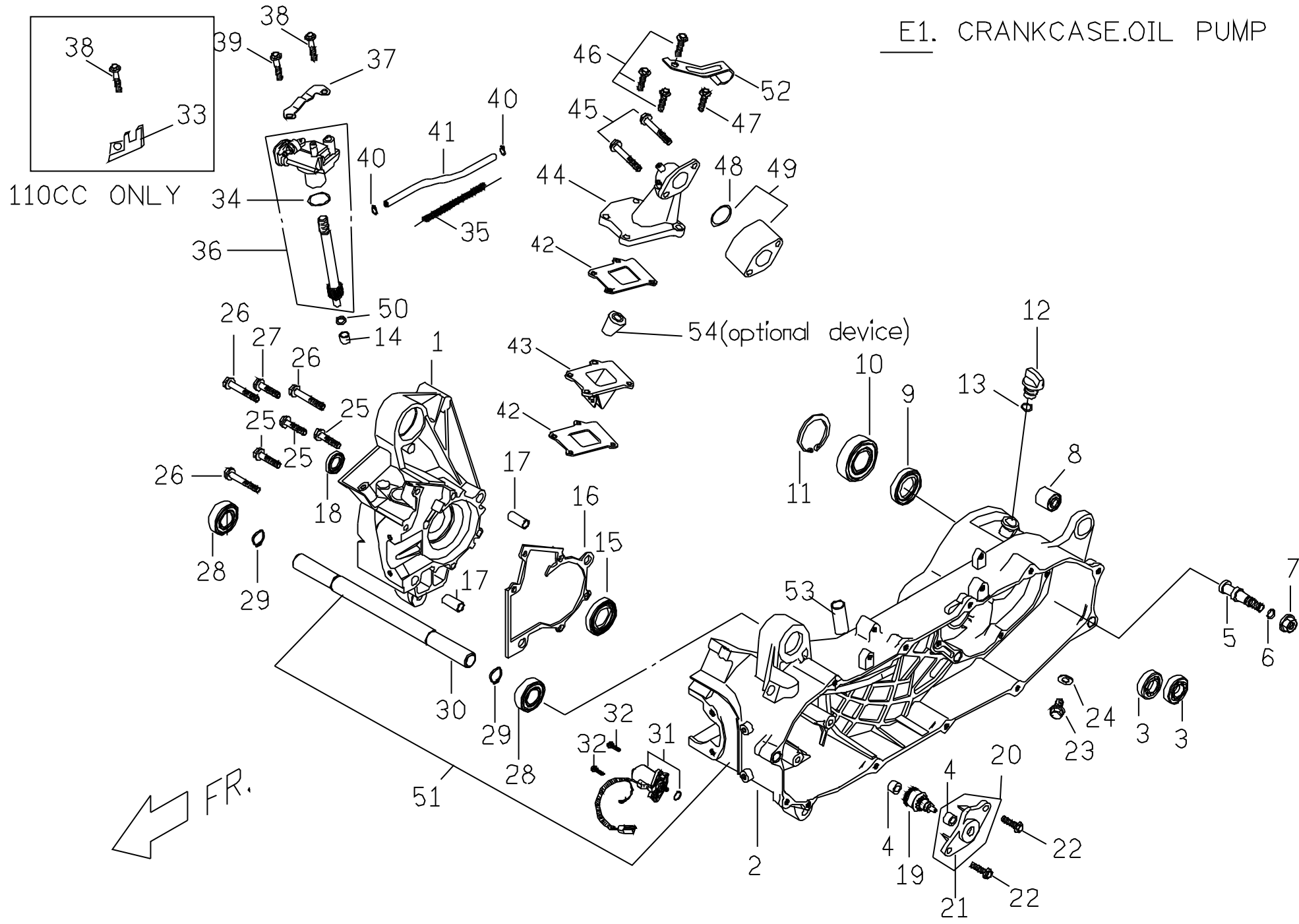


PM50-NAKED PARTS CATALOG

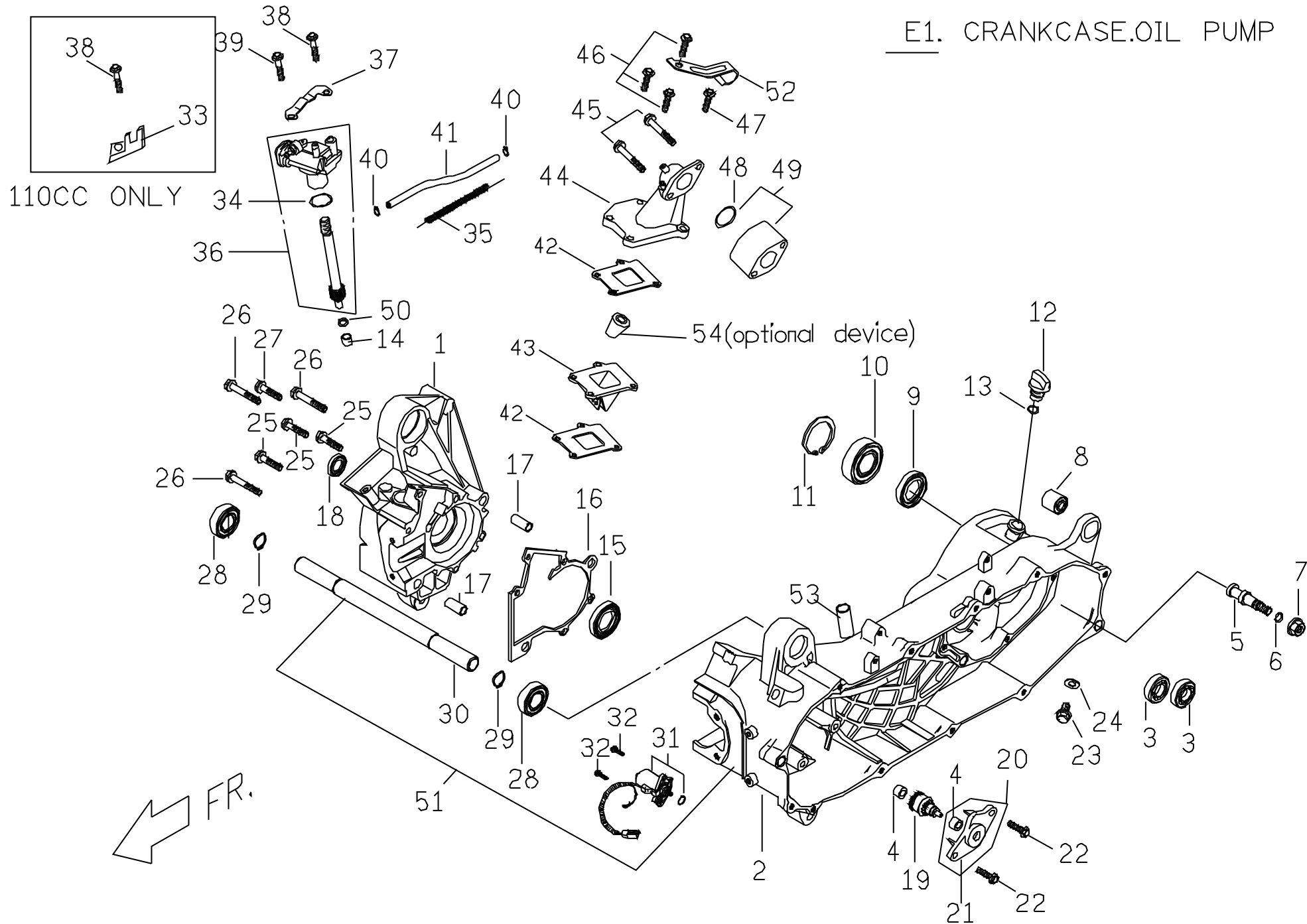


PRINTED IN JULY, 2006

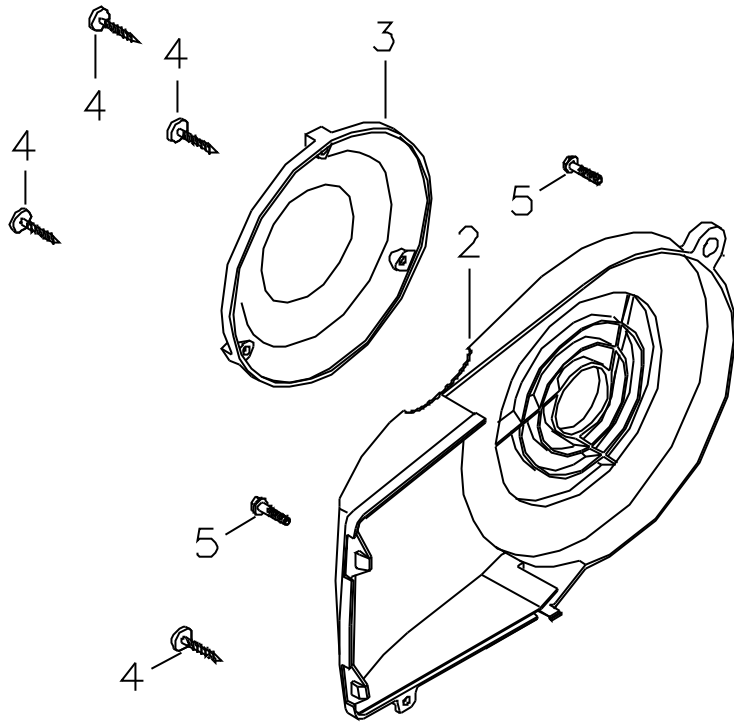
E1. CRANKCASE.OIL PUMP



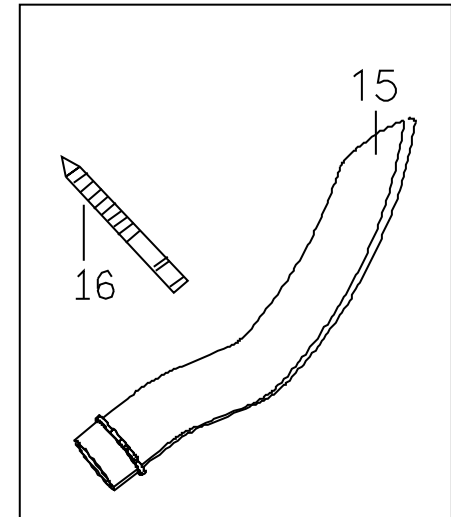
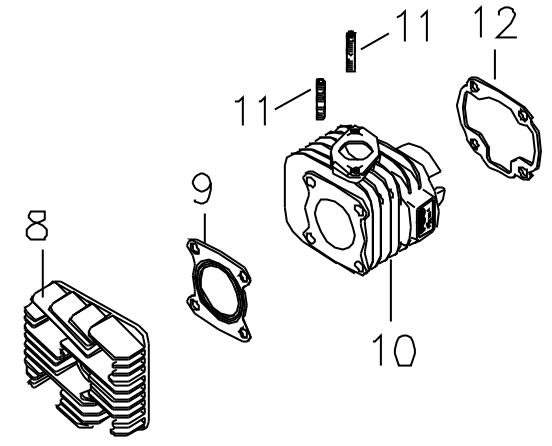
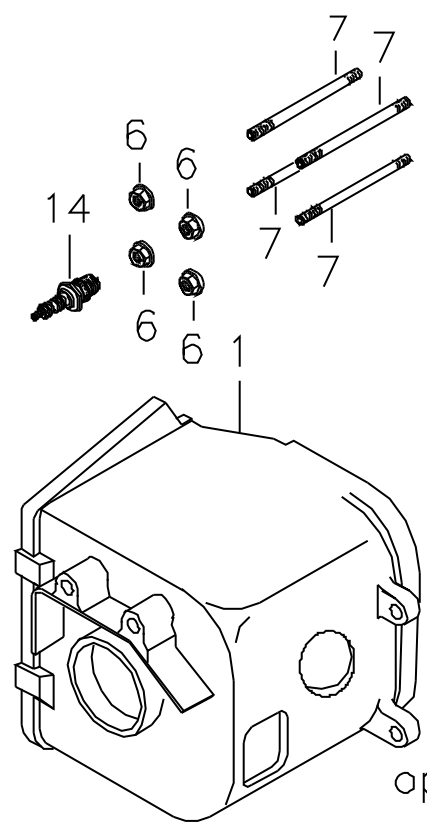
E1. CRANKCASE.OIL PUMP



E2. FAN COVER, COOLING COWL
CYLINDER, CYLINDER HEAD

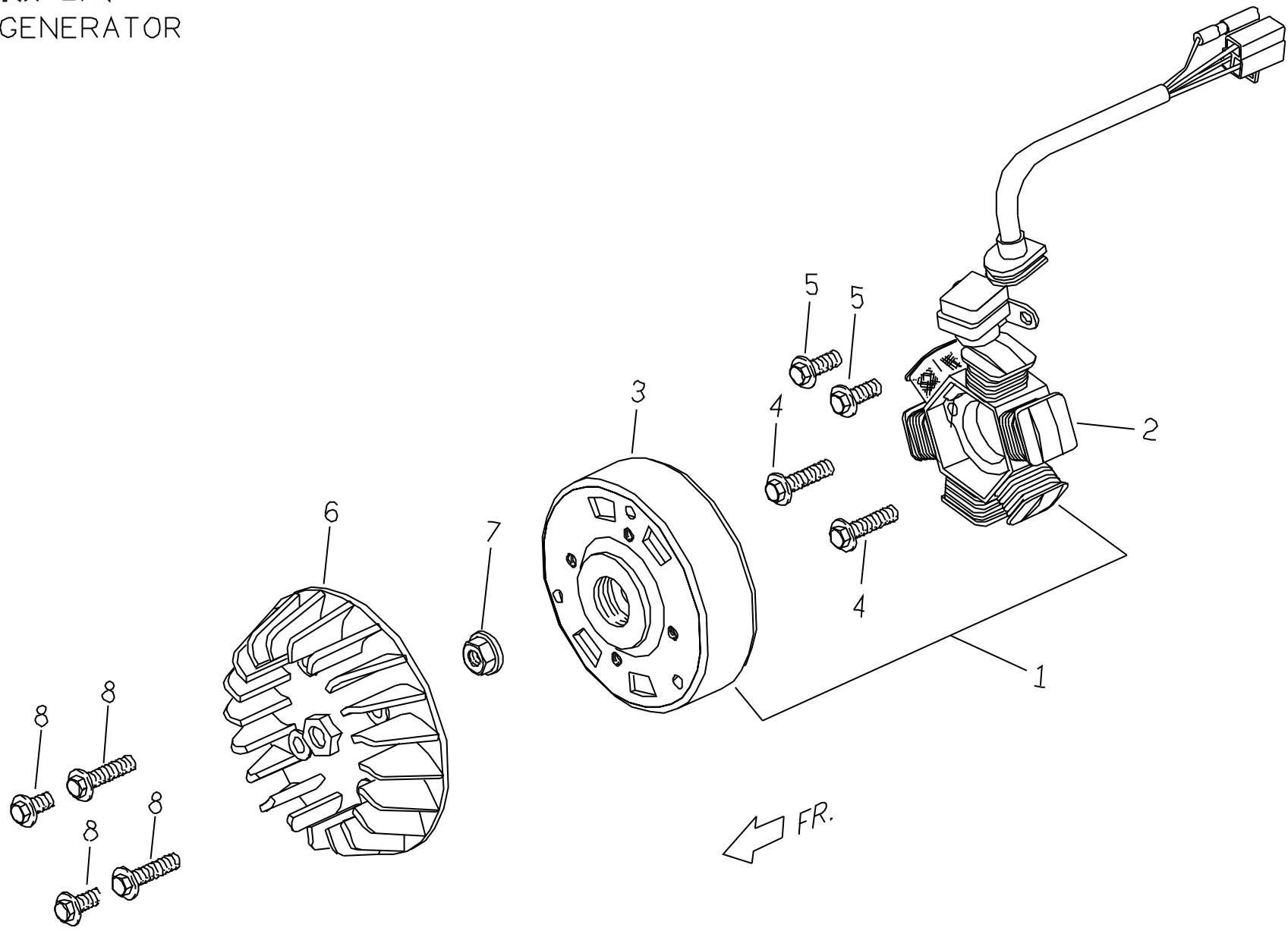


FR. ←

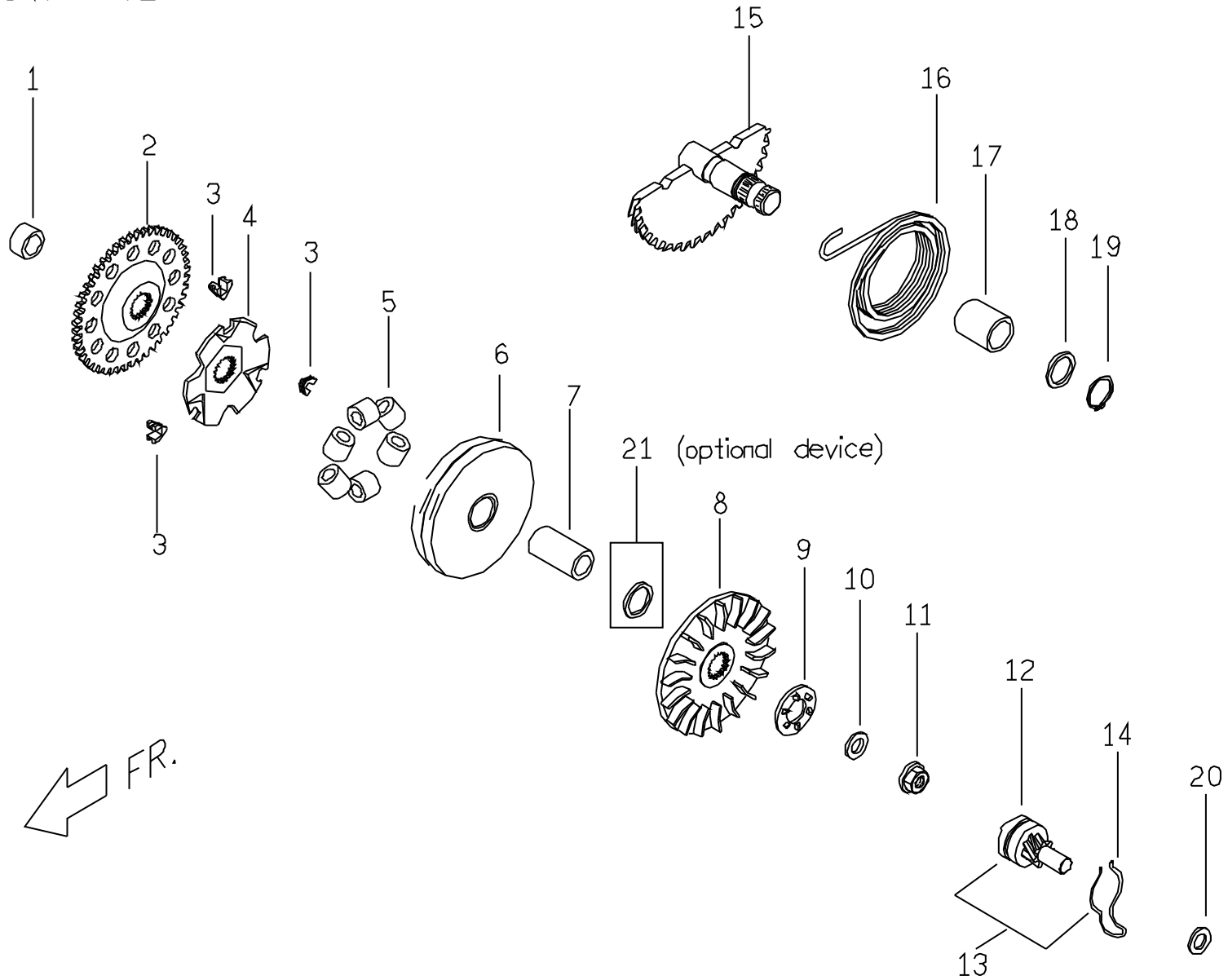


optional device for frozen area

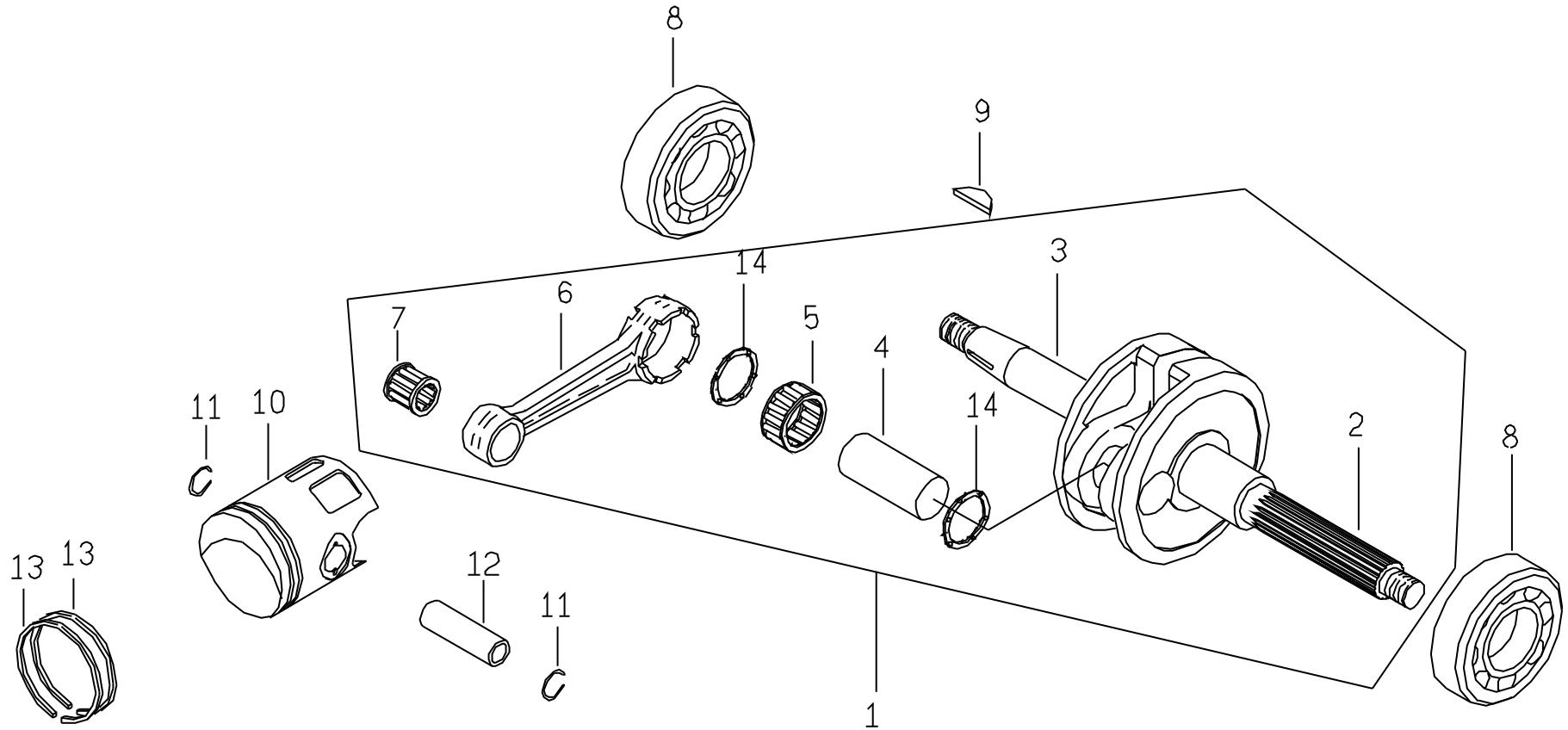
E3 風扇.發電機
FAN,GENERATOR



E4 DRIVING FACE

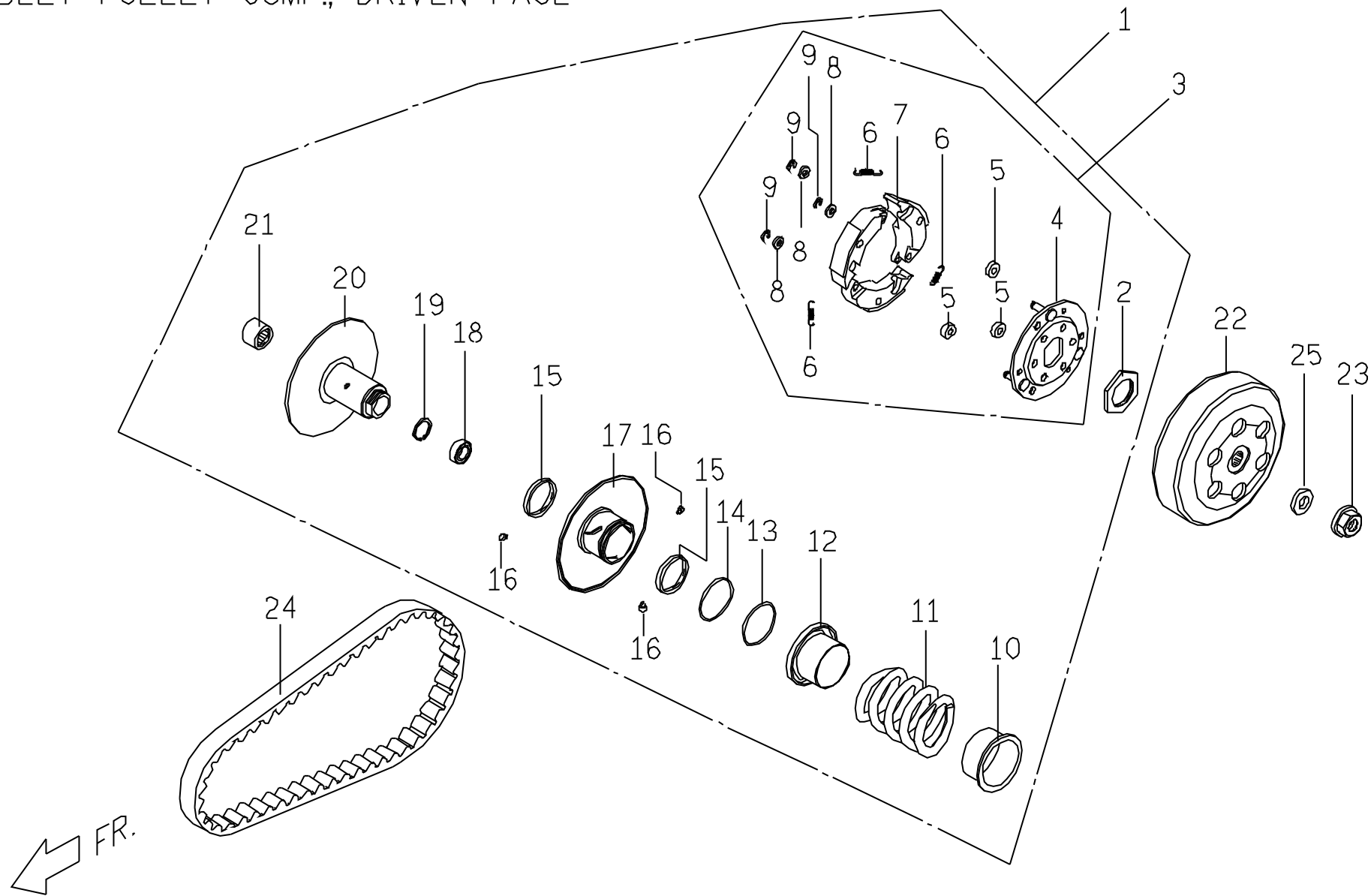


E5 CRANKSHAFT.PISTON

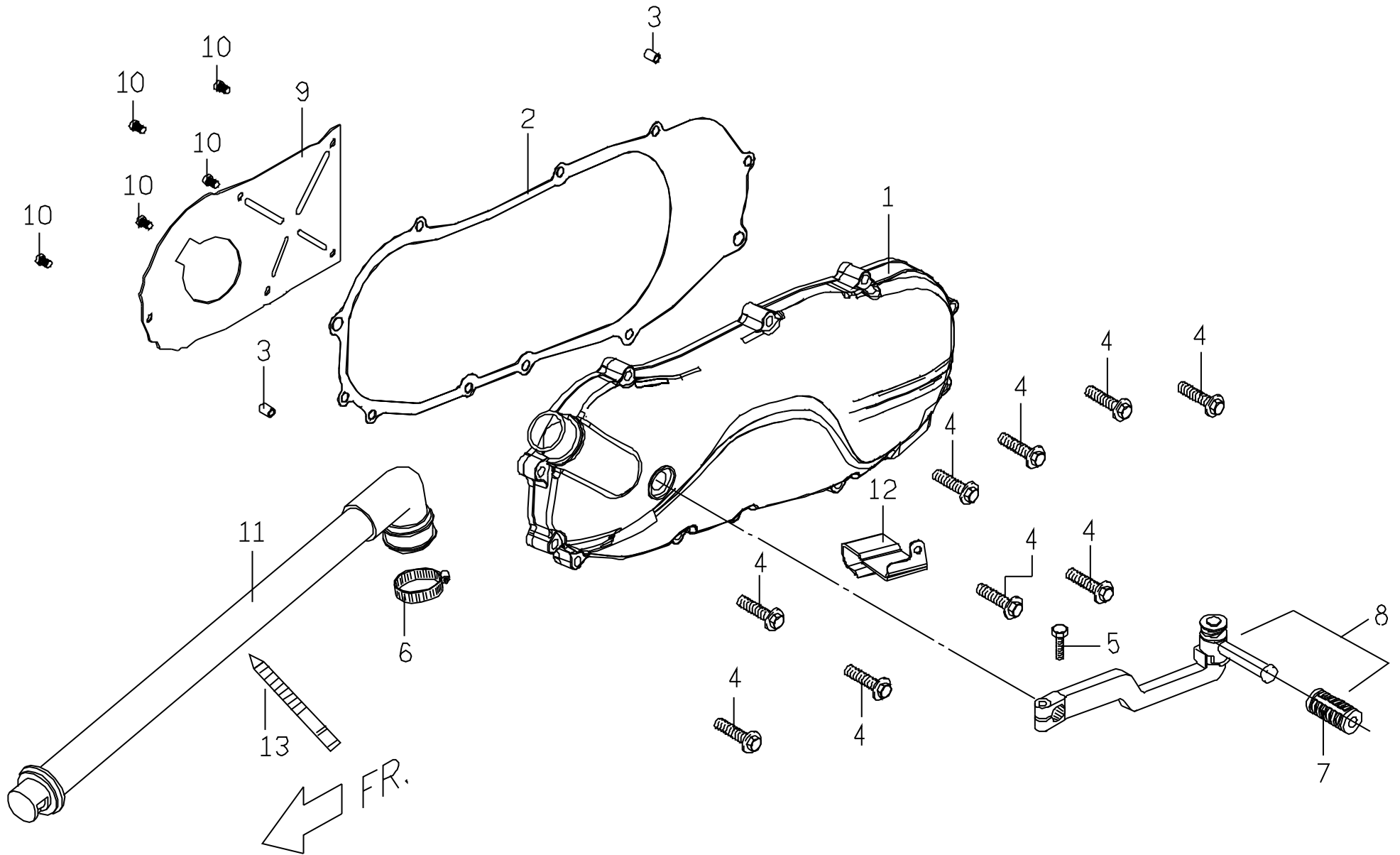


← FR.

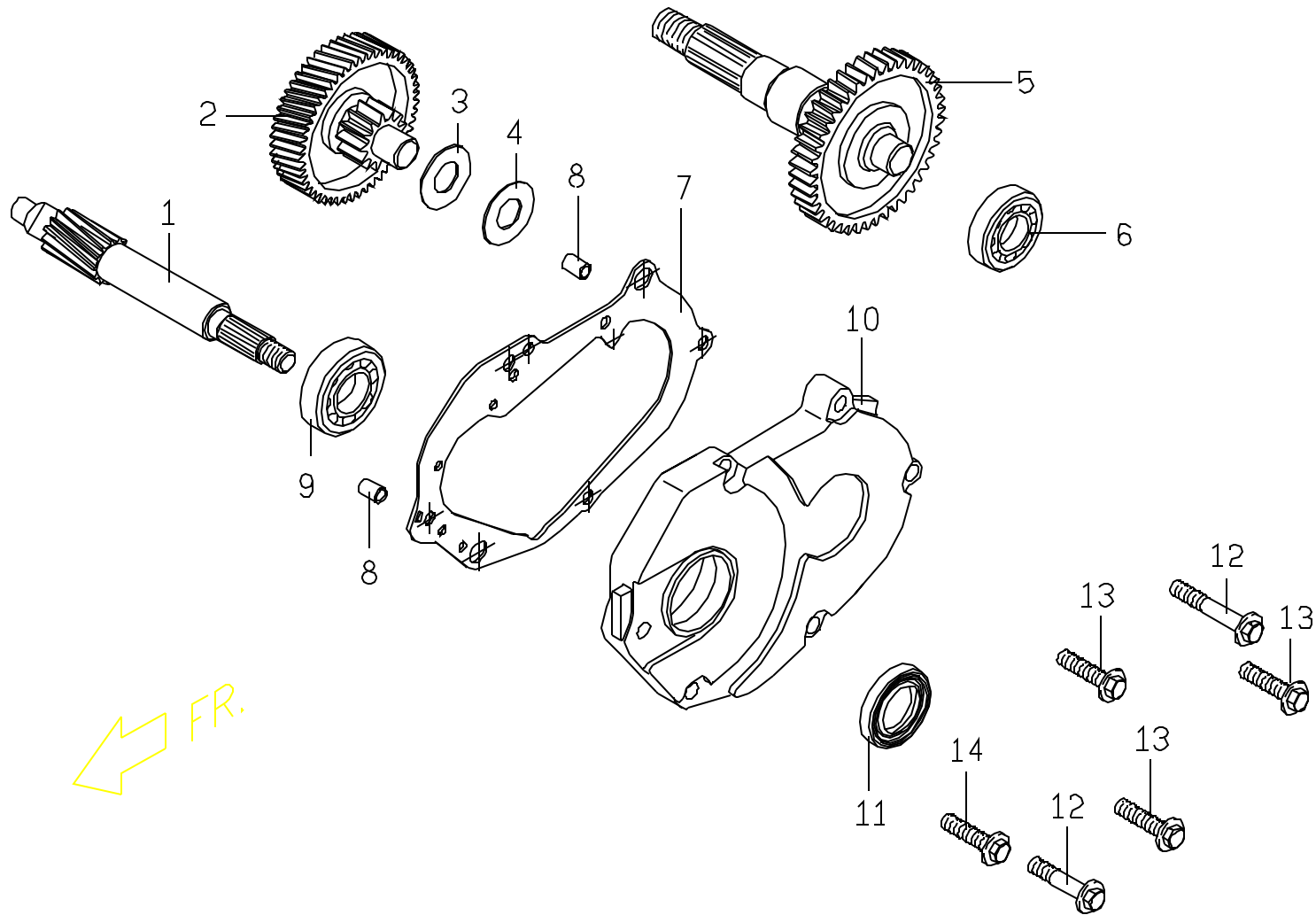
E6 被驅動面皮帶輪組合
BELT PULLEY COMP., DRIVEN FACE



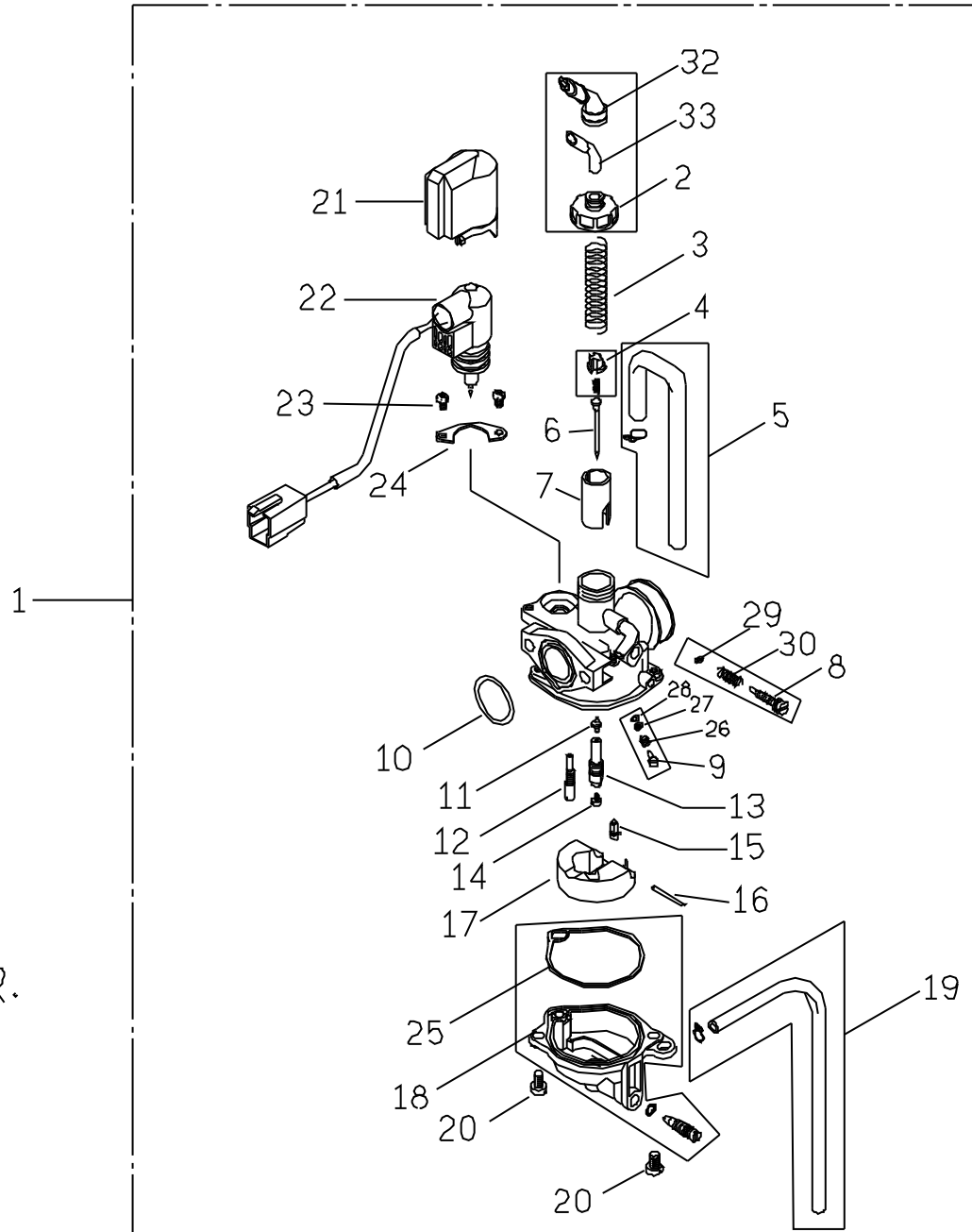
E7 LH. SIDE COVER



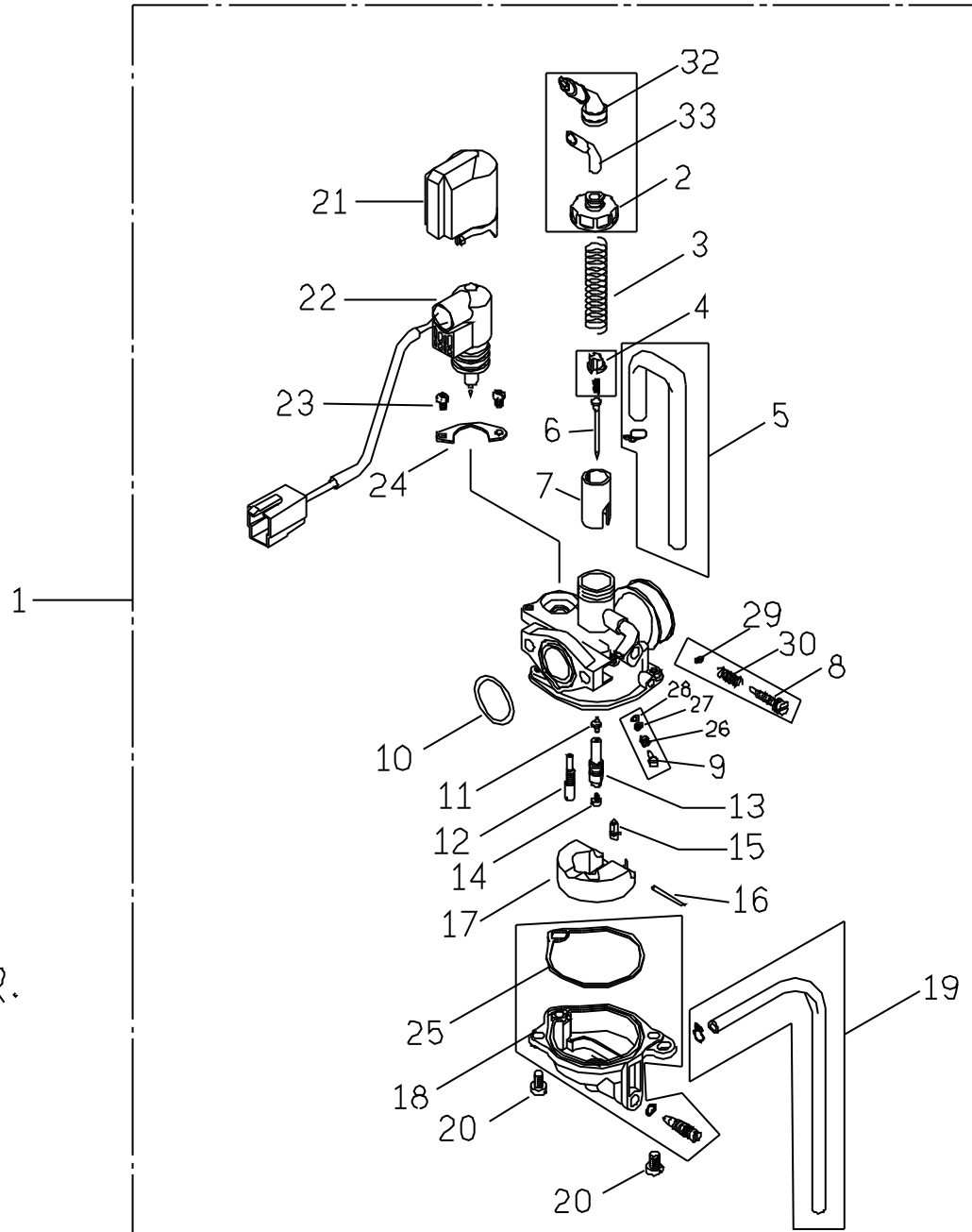
E8 傳動系
TRANSMISSION



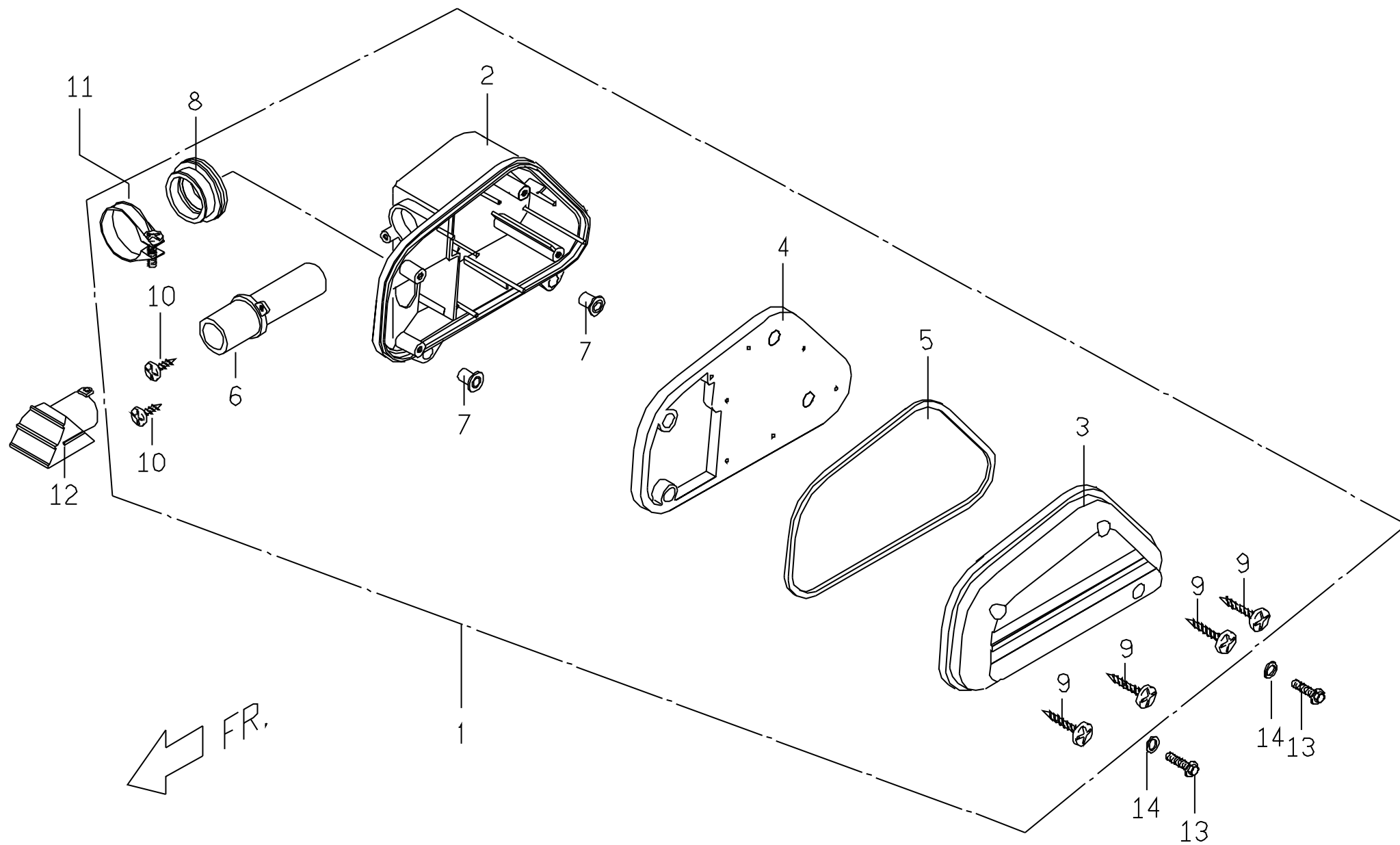
E9.2 化油器
CARBURETOR



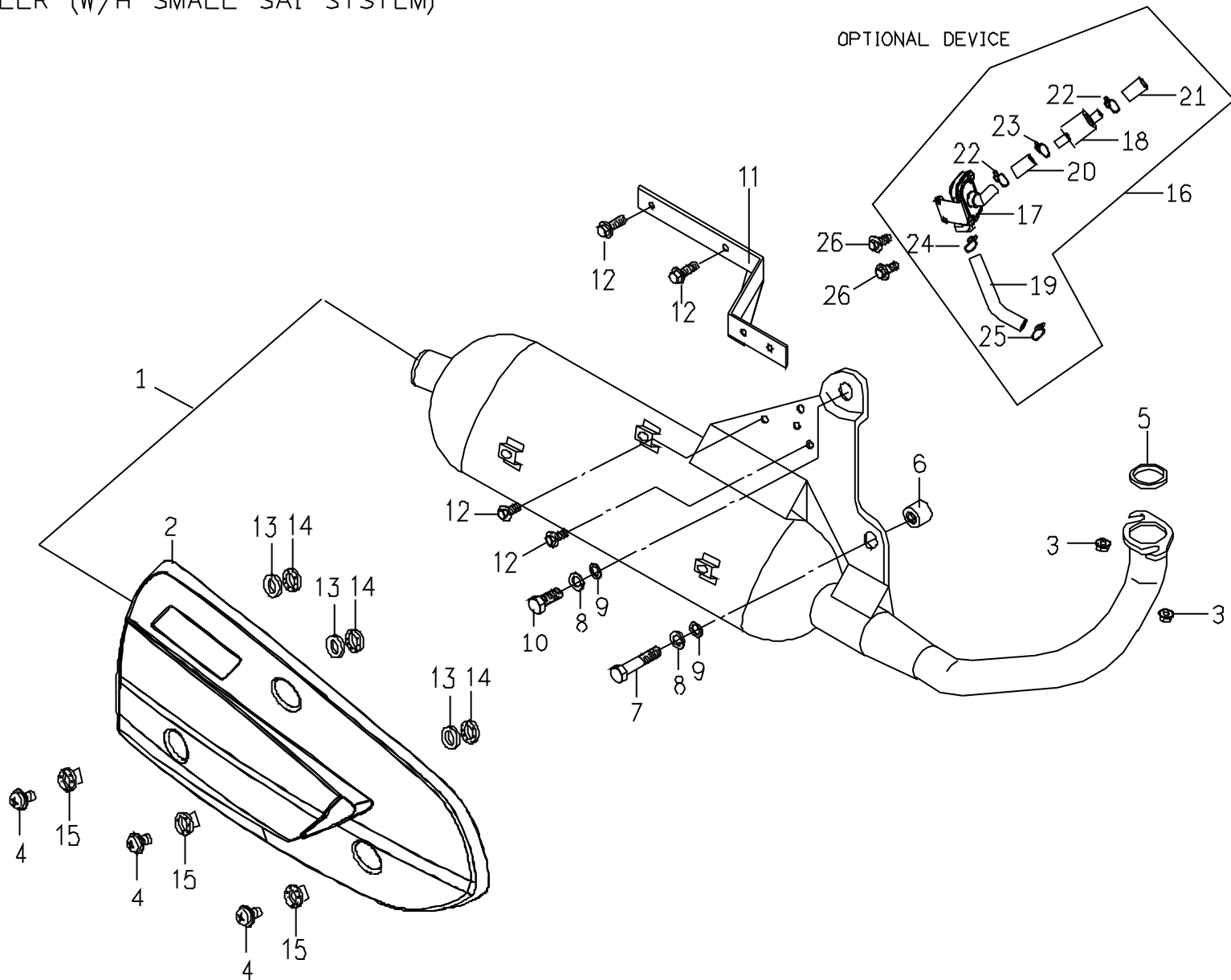
E9.2 化油器
CARBURETOR



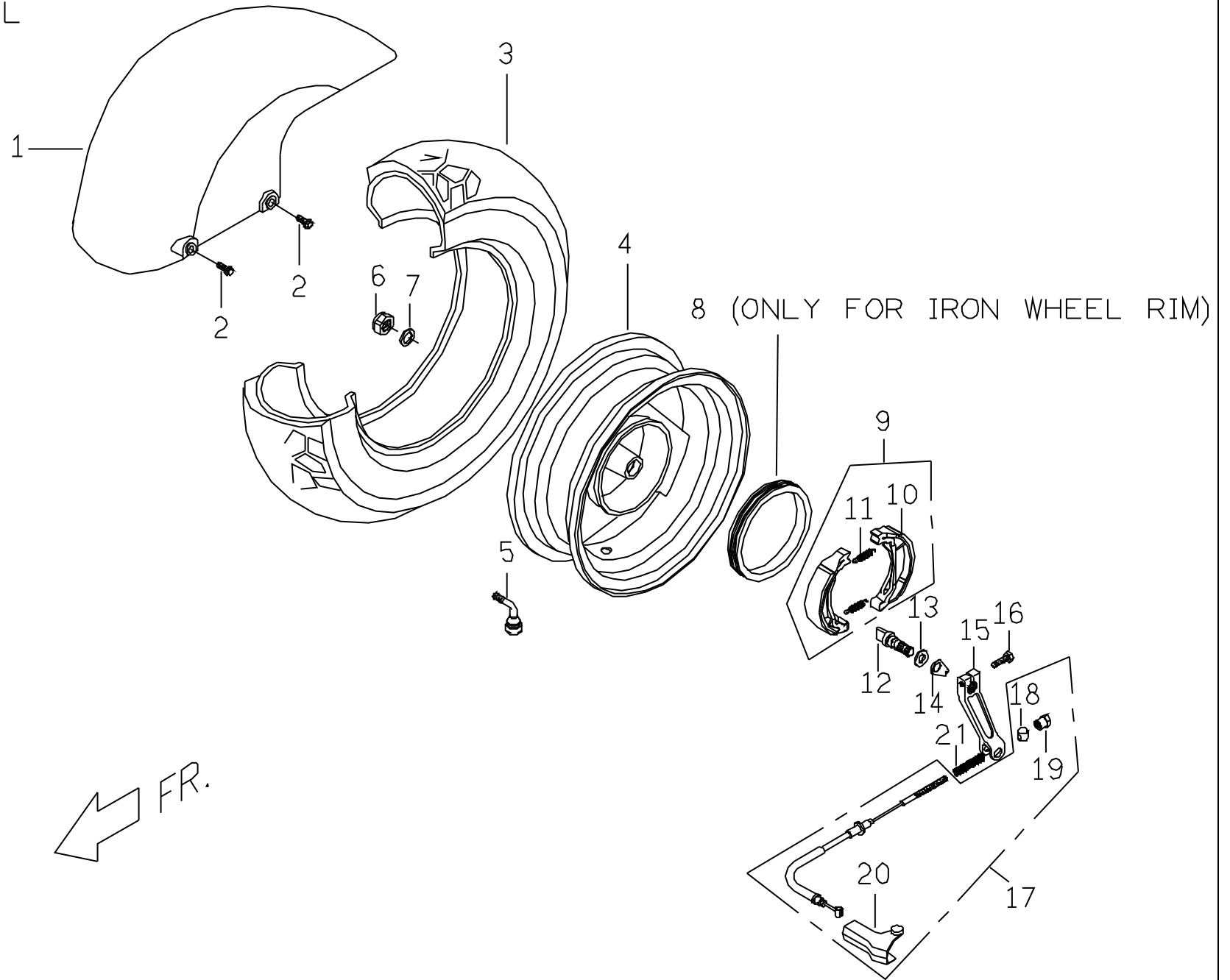
E10 空氣濾清器組合
AIR CLEANER COMP.



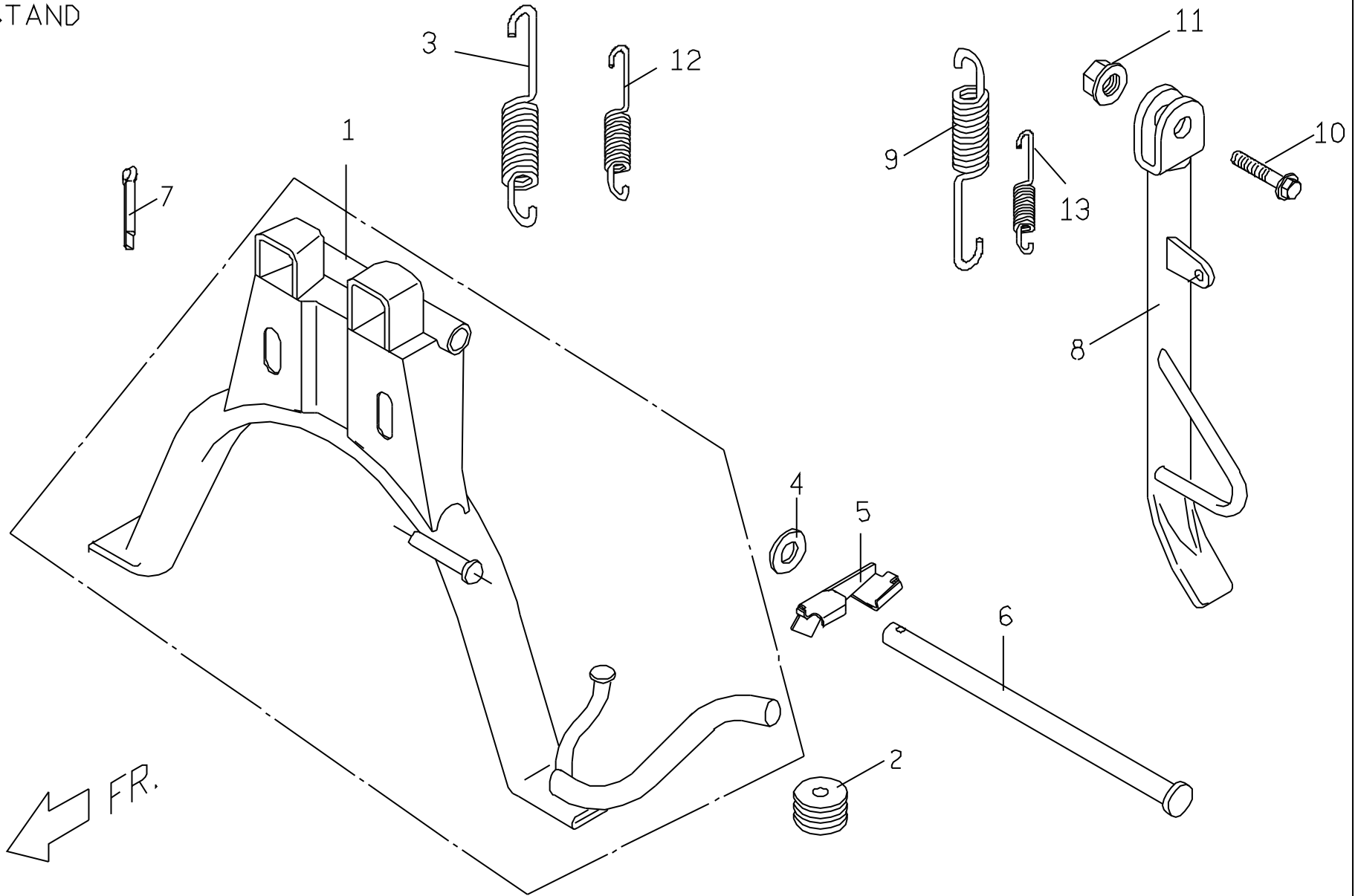
E11.1 MUFFLER (W/H SMALL SAI SYSTEM)



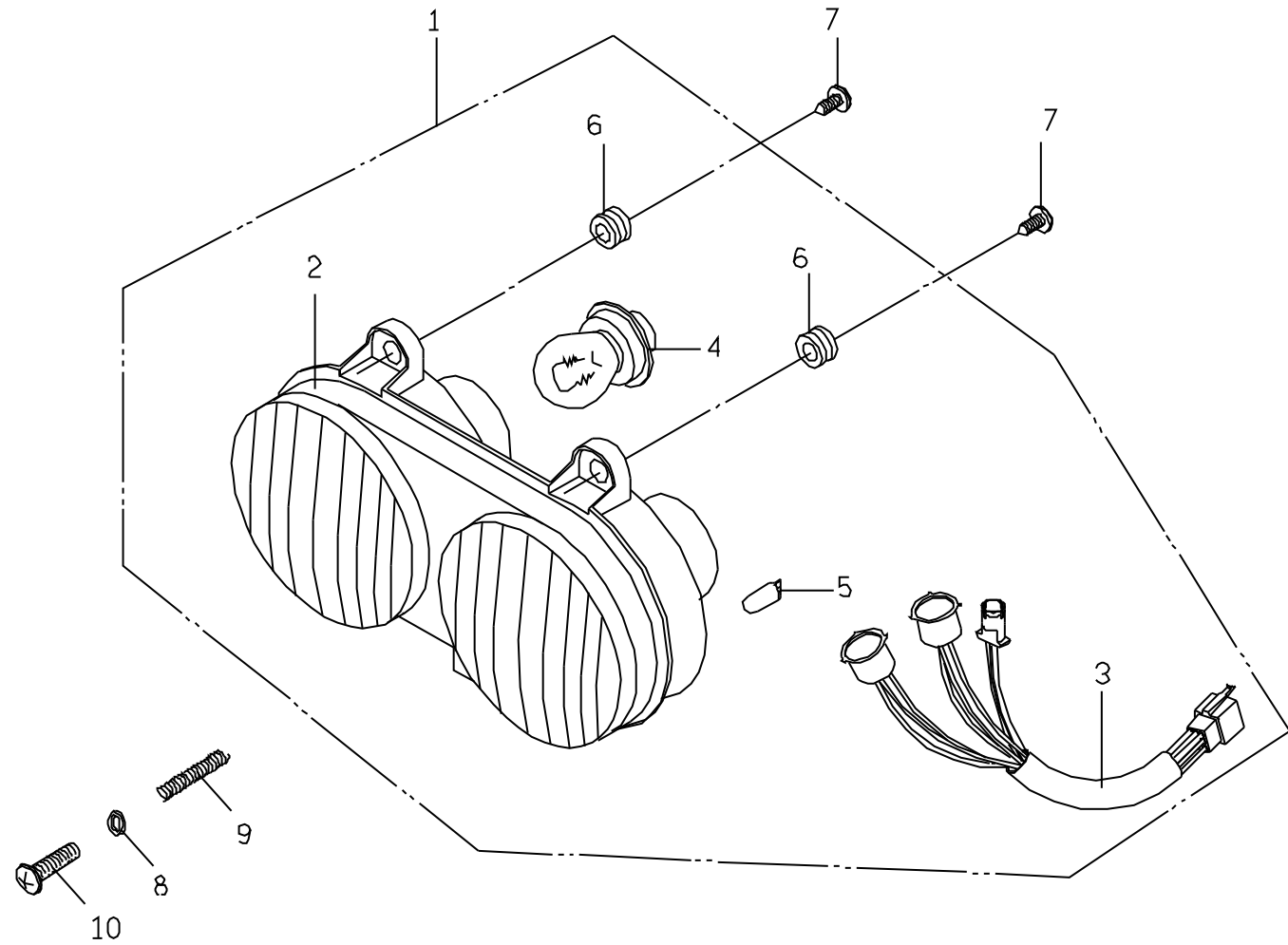
E12 REAR WHEEL



E13 STAND



F1 HEAD LIGHT

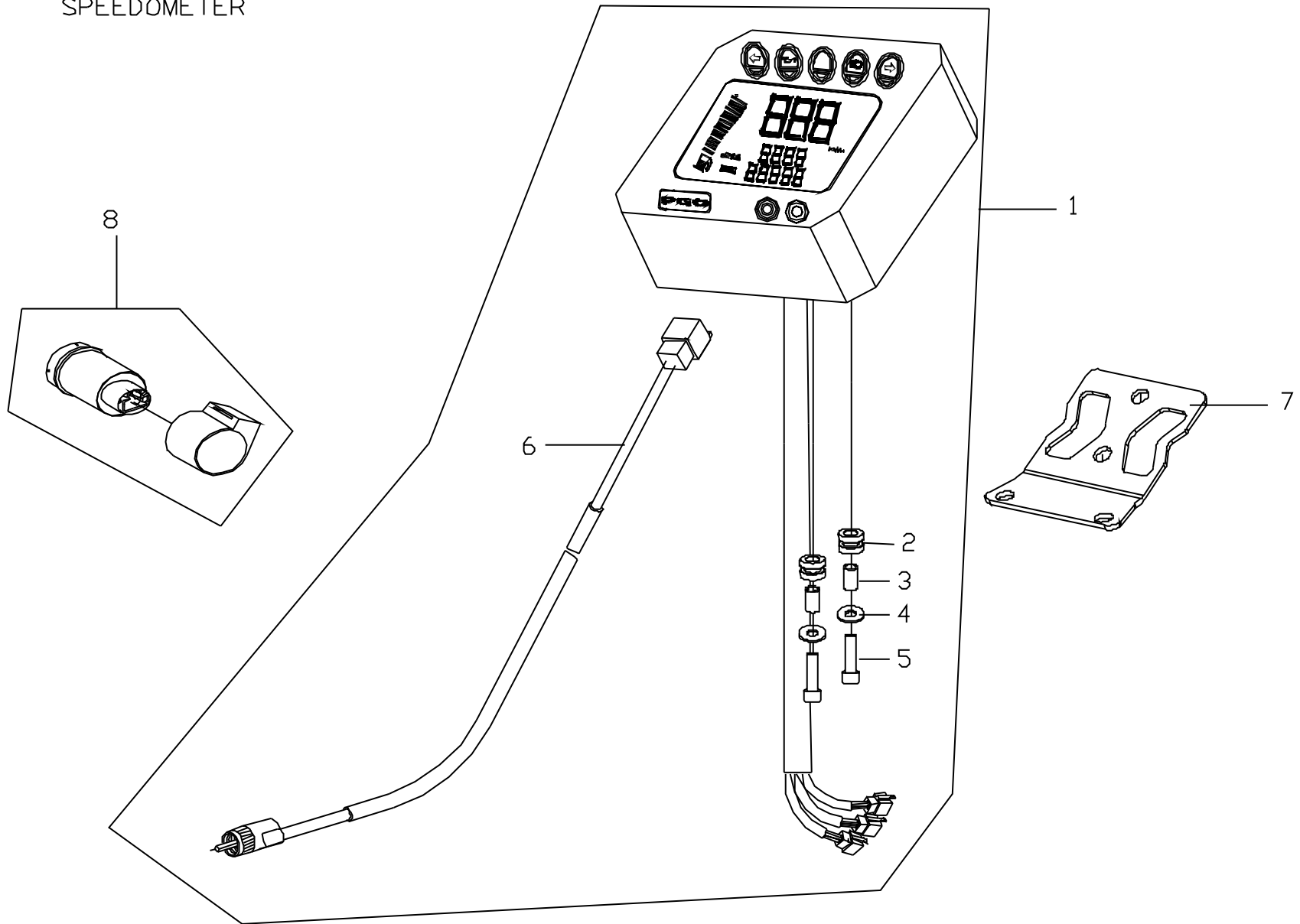


← FR

F2

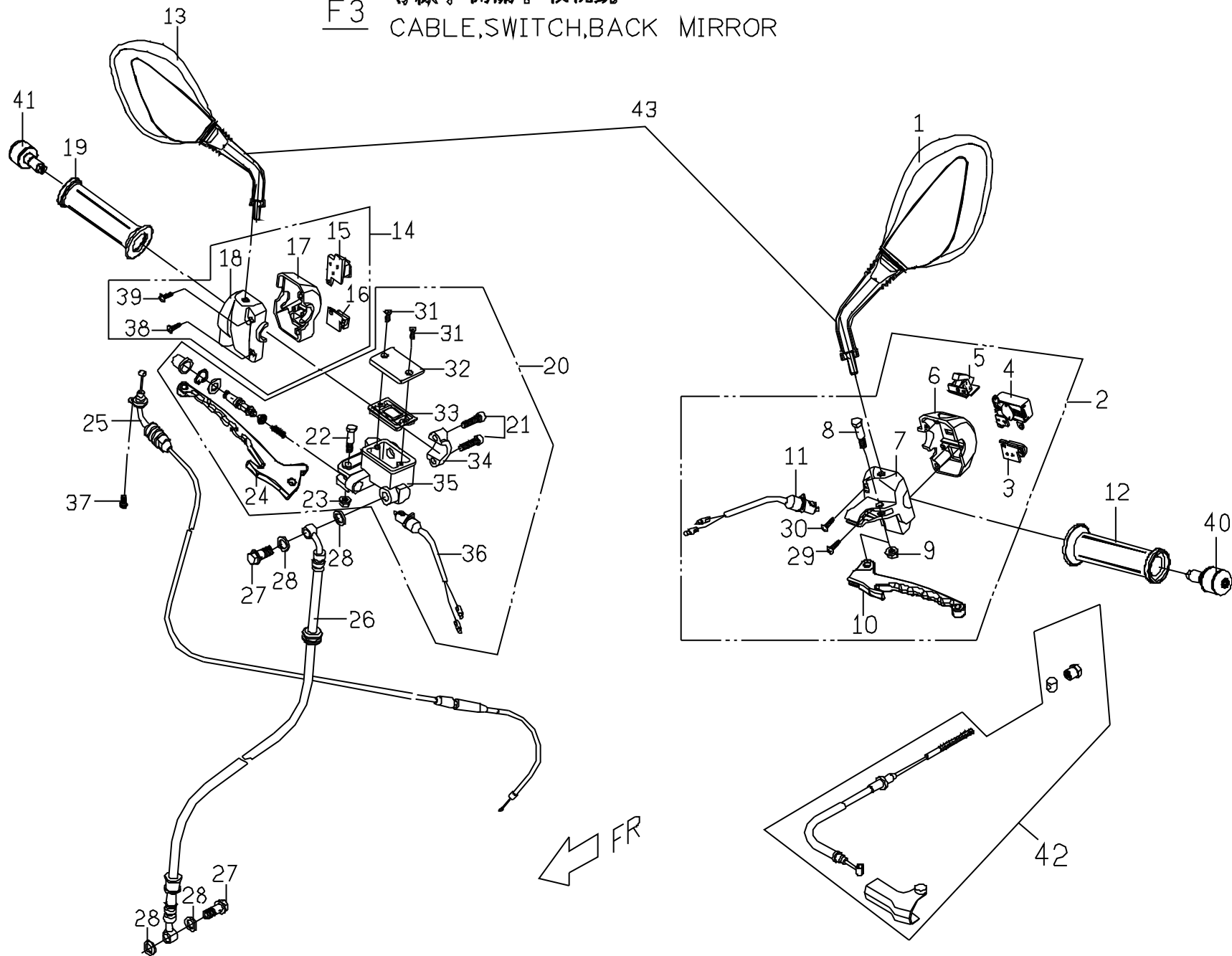
碼錶

SPEEDOMETER

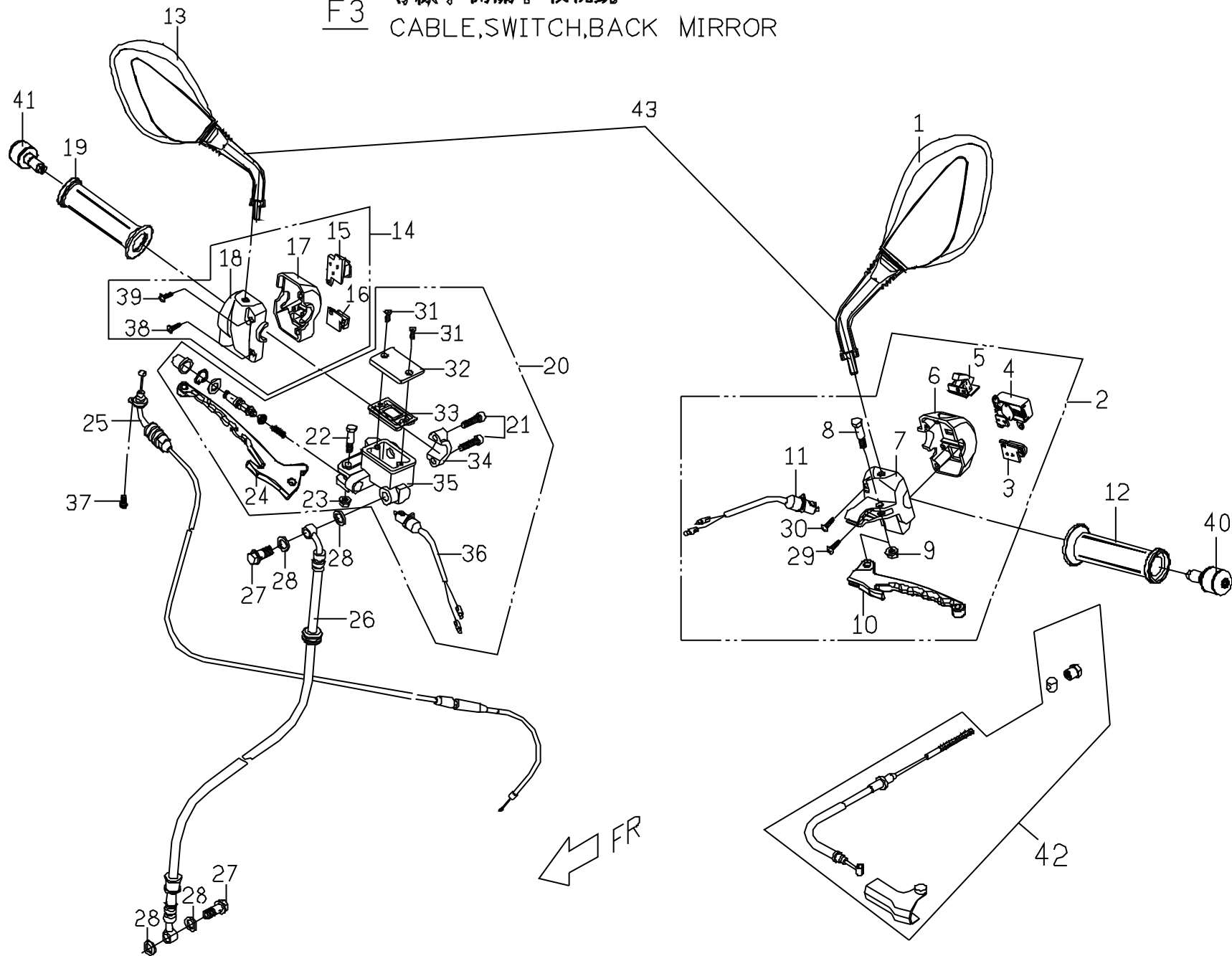


← FR

F3 導線。開關。後視鏡
CABLE, SWITCH, BACK MIRROR

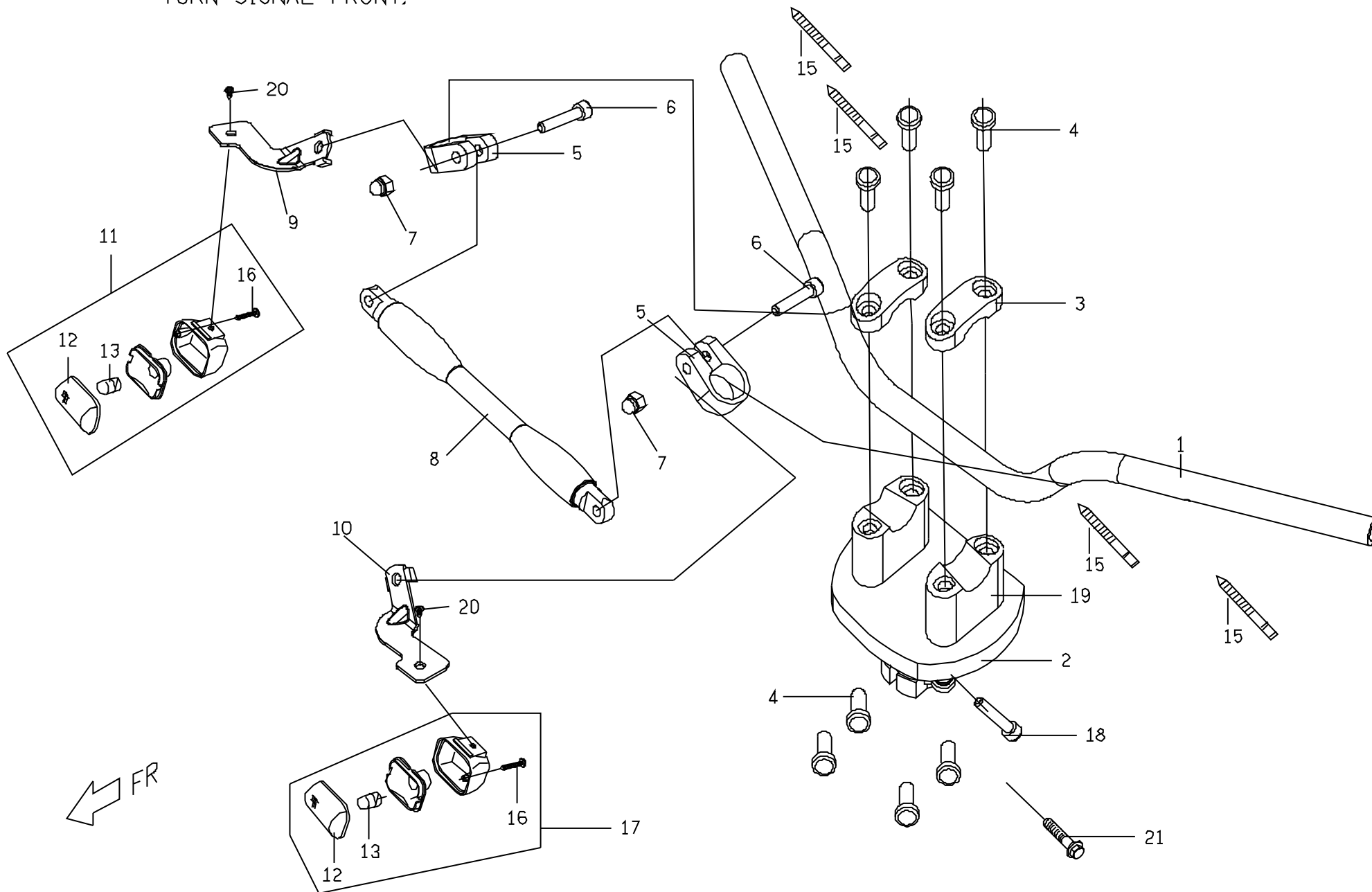


F3 導線。開關。後視鏡
CABLE, SWITCH, BACK MIRROR

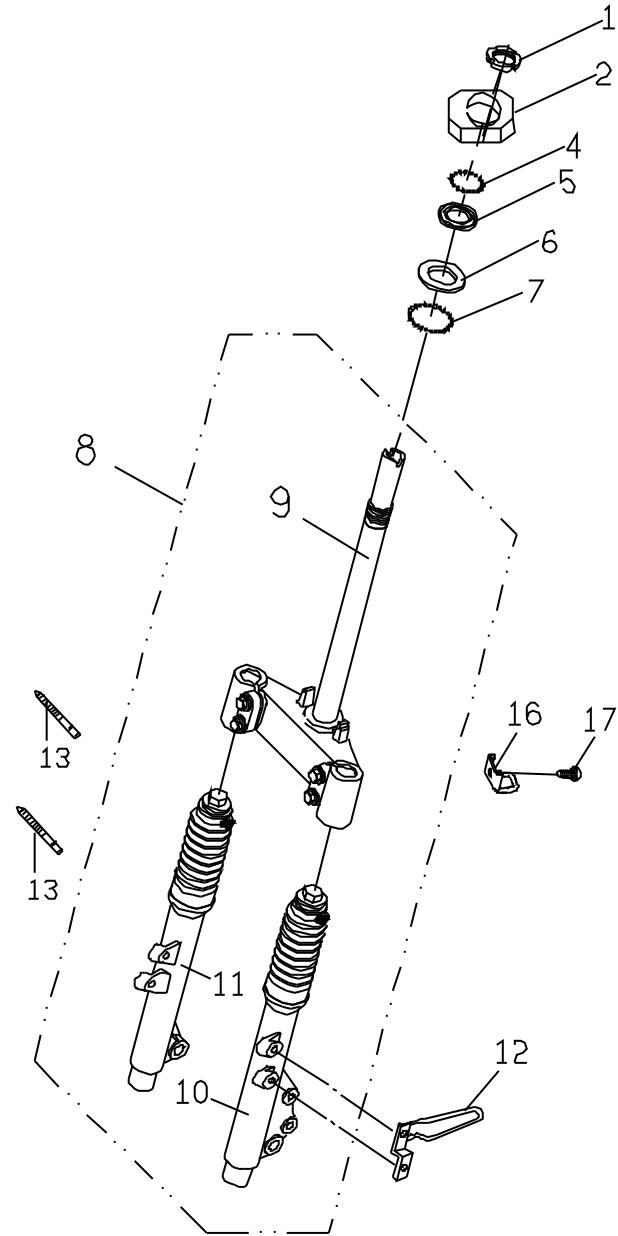
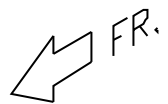
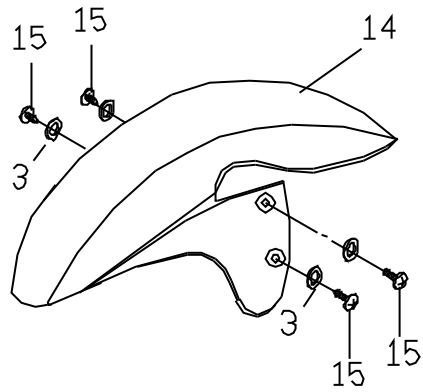


把手上下蓋。方向把手管。前方向燈

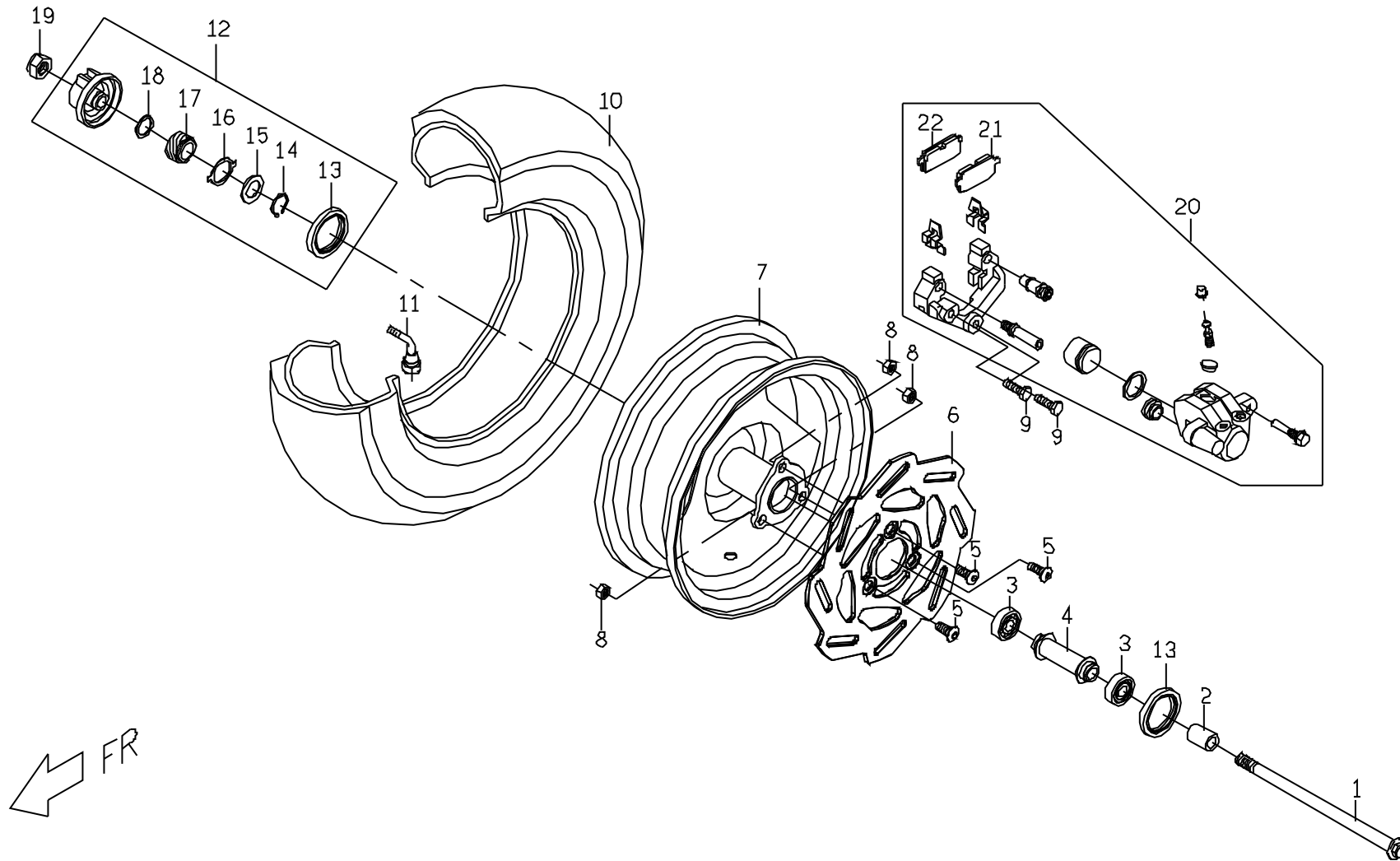
F4 COVER UPPER&LOWER ,HANDLE BAR.
TURN SIGNAL FRONT.



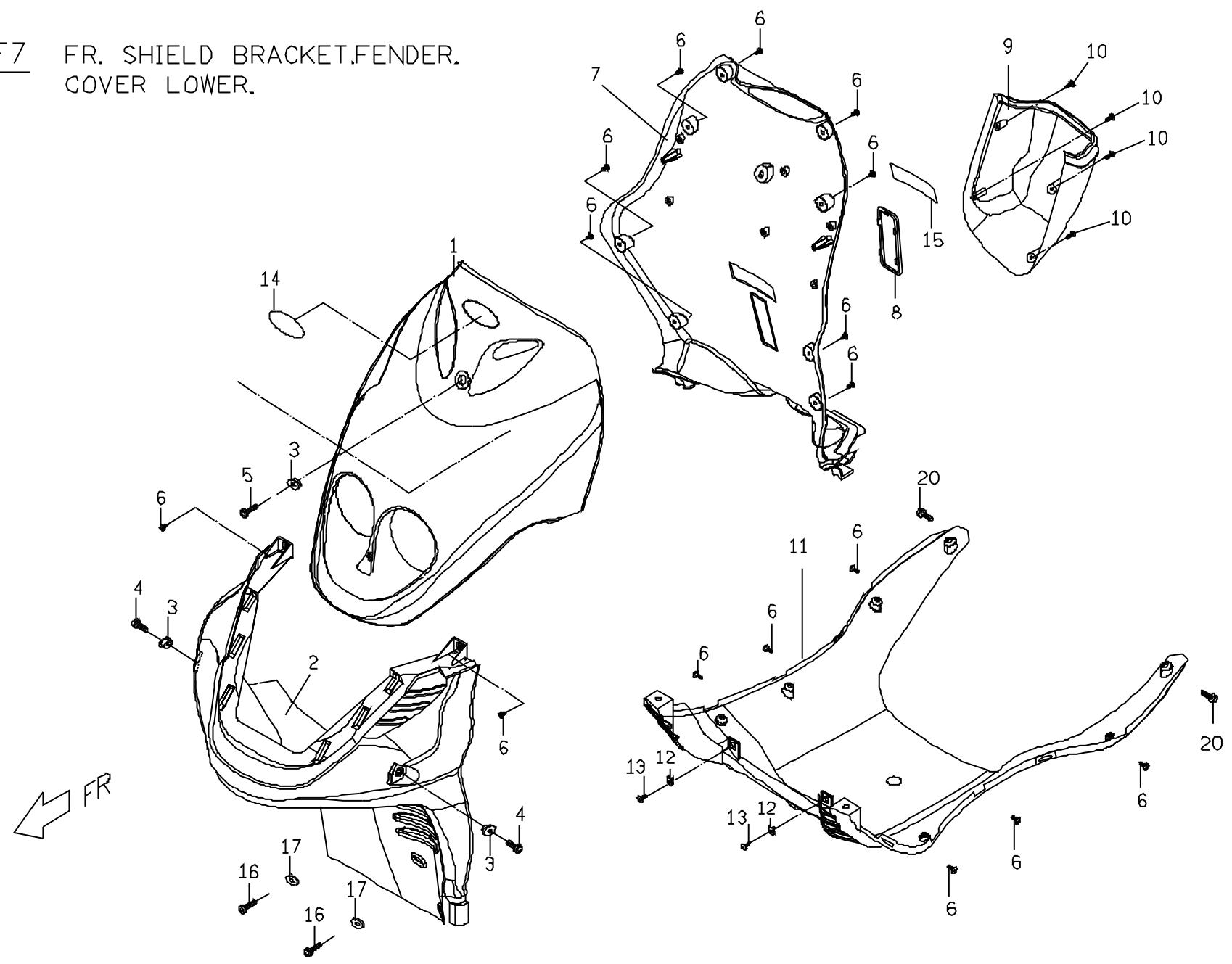
F5 前叉(碟)。前土除
FRONT FORK.FR FENDER



F6 輪胎。前輪圈。碟式煞車夾
TIRE.FRT WHEEL.FRT CALIPER.

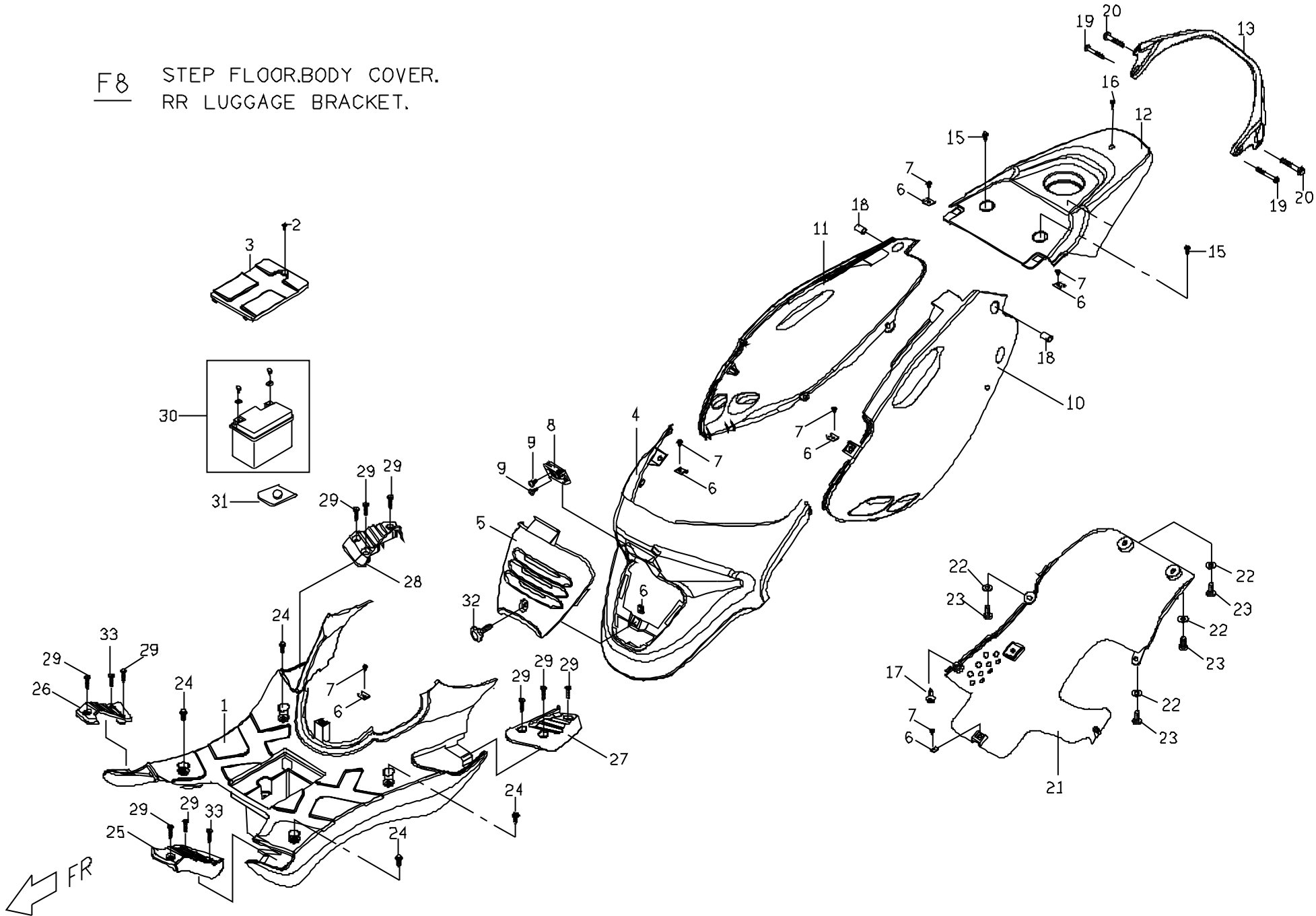


F7 FR. SHIELD BRACKET.FENDER.
COVER LOWER.



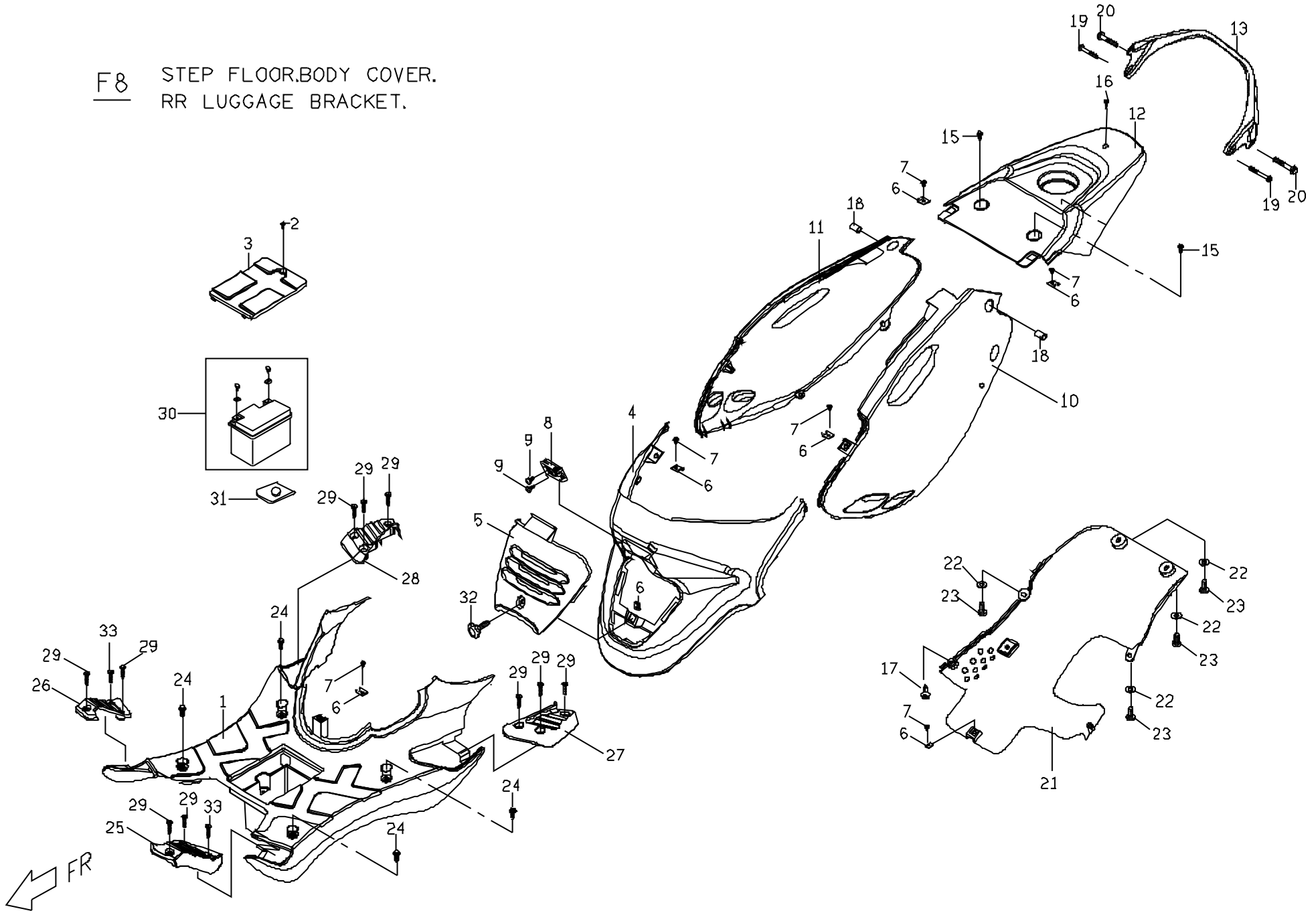
F8

STEP FLOOR.BODY COVER.
RR LUGGAGE BRACKET.

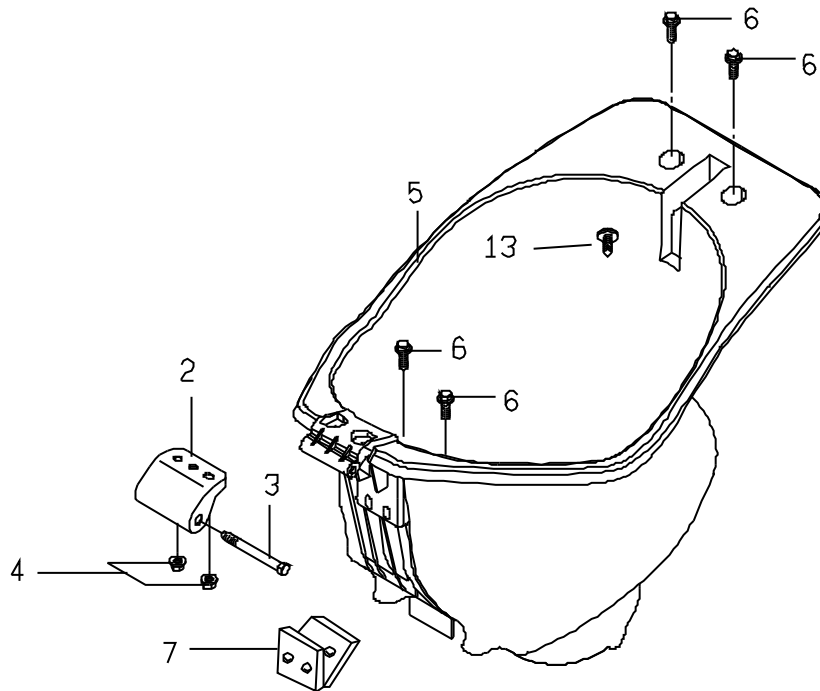
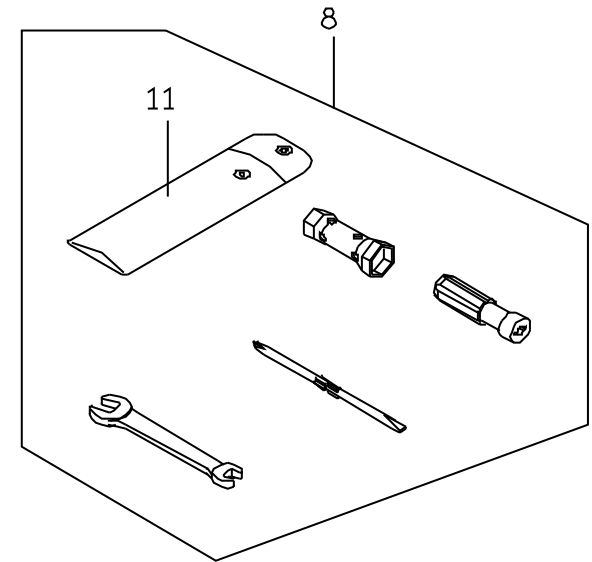
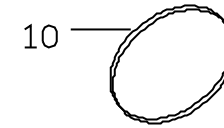
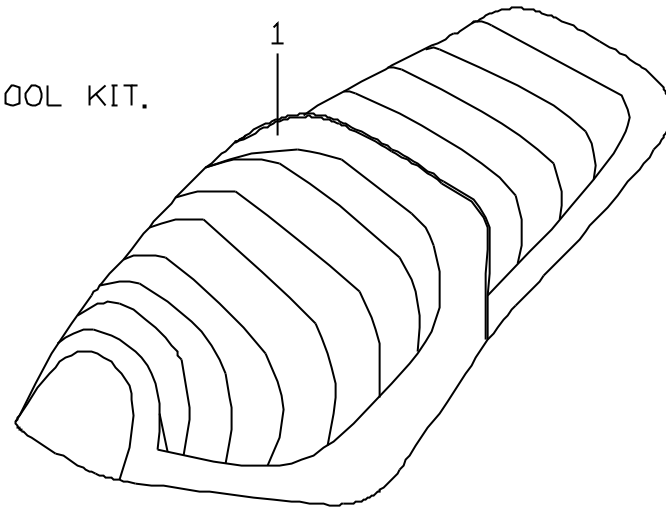


F8

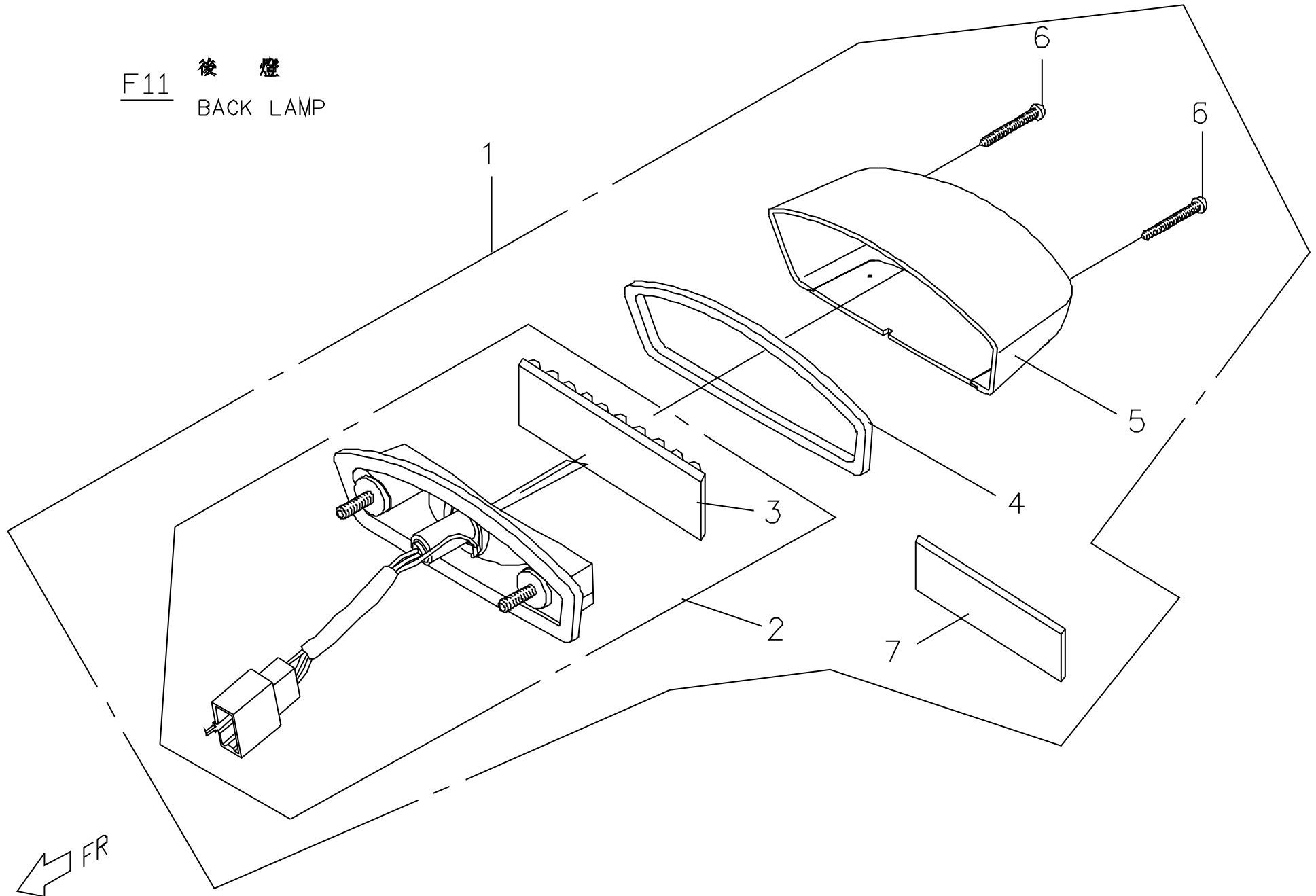
STEP FLOOR.BODY COVER.
RR LUGGAGE BRACKET.



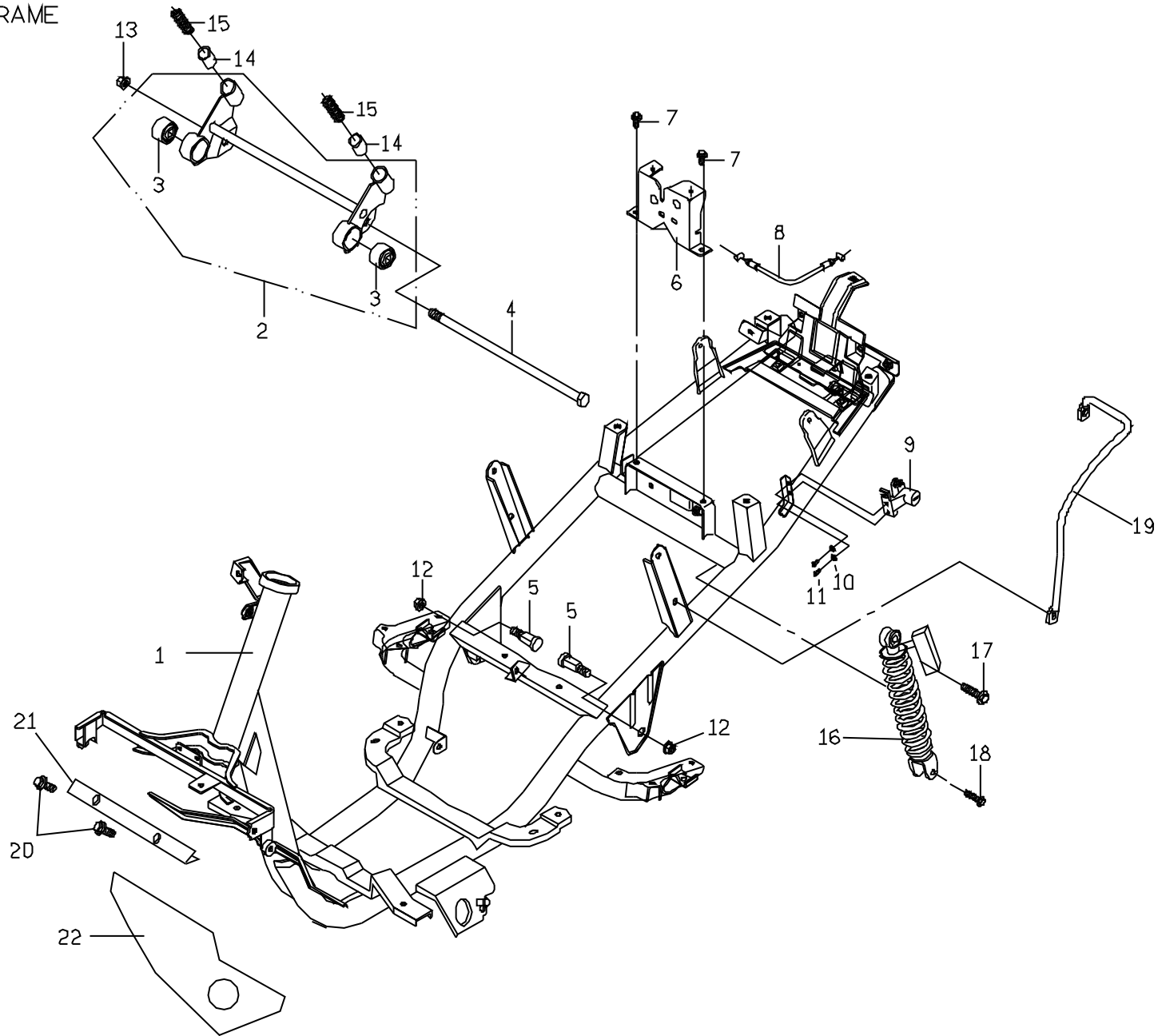
F9 座墊。置物箱。工具包
SEAT, HELMET CASE, TOOL KIT.



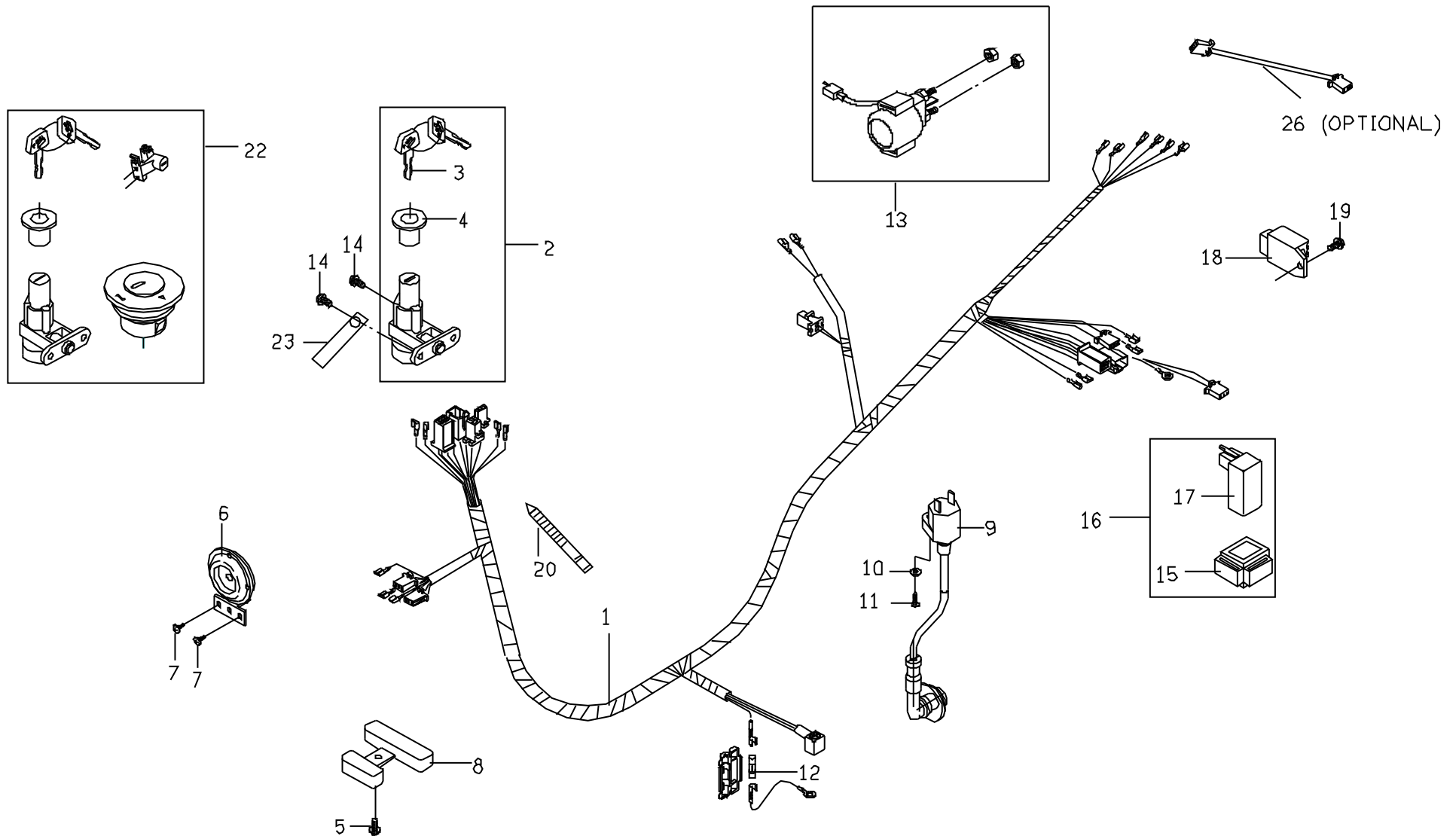
F11 後 燈
BACK LAMP



F12 FRAME

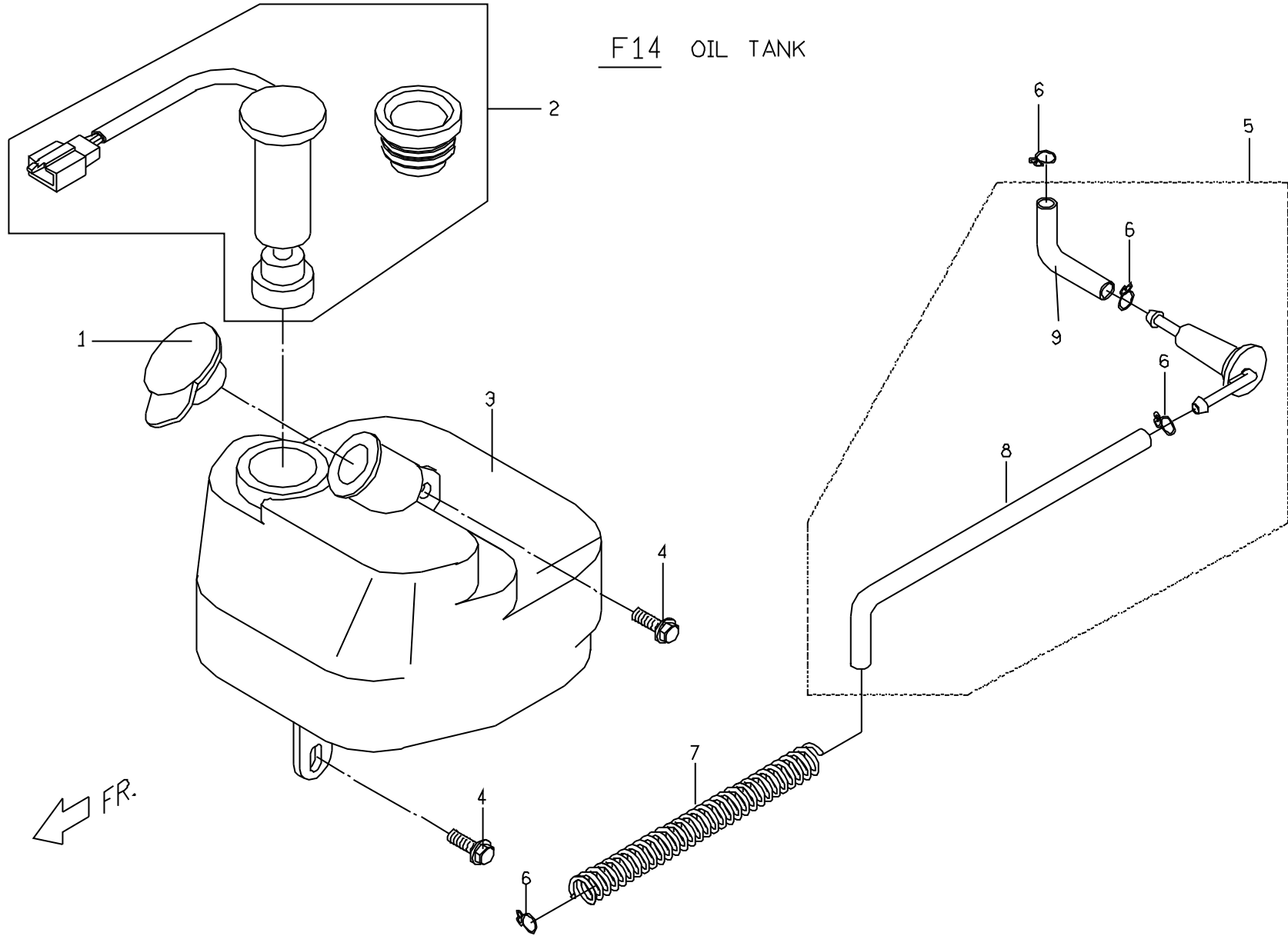


F13 WIRE HARNESS



← FR.

F14 OIL TANK



F16. LABELS_(PMS50N)



1



2



3



4



5



6



7



8



PGGO

SCOOTERS

