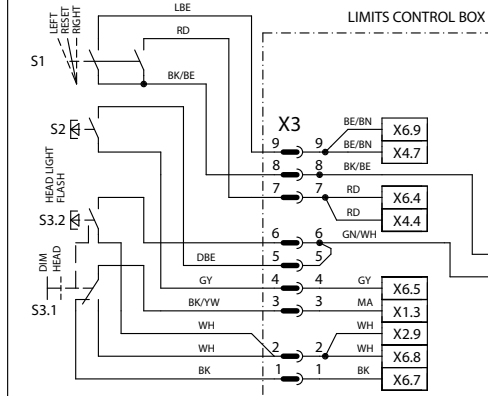
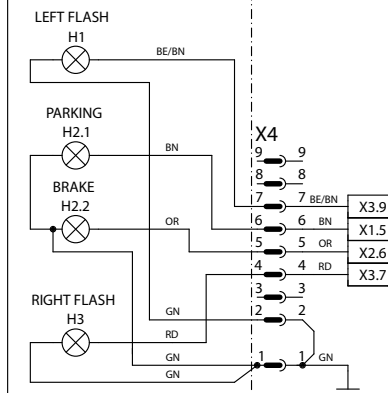


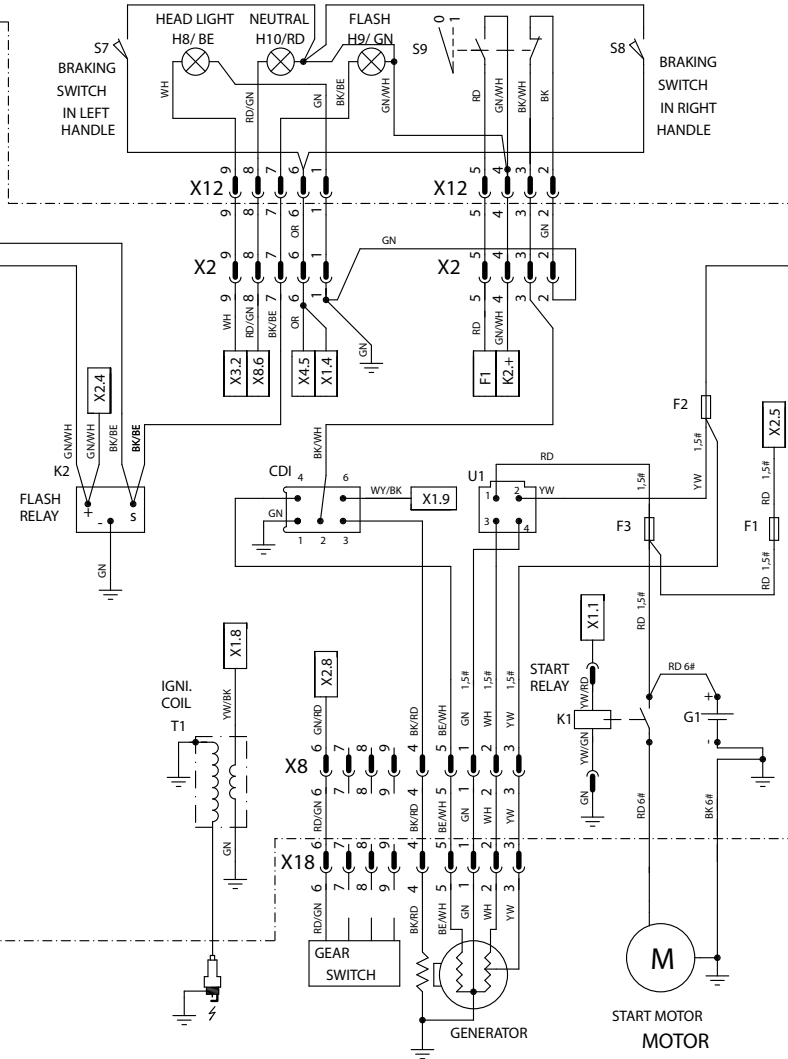
LEFT HANDLE



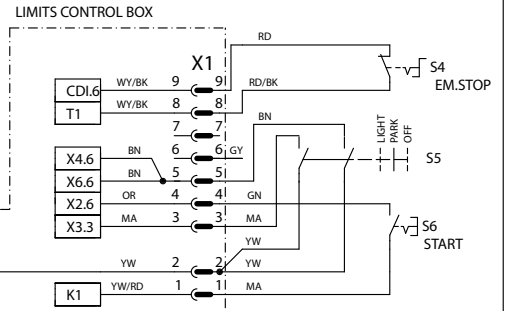
REAR LIGHT



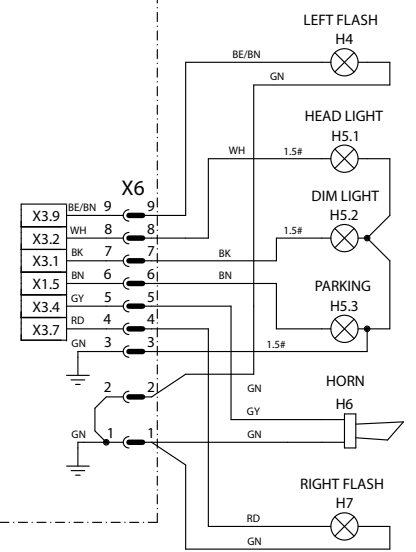
CONTROL PANEL



RIGHT HANDLE



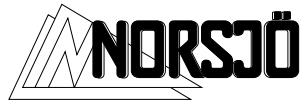
FRONT LIGHT



COLOR CODE

RED	= RD	BLACK	= BK
GREEN	= GN	WHITE	= WH
YELLOW	= YW	GREY	= GY
BLUE	= BE	MAGENTA	= MA
DARKBLUE	= DBE	BROWN	= BN
LIGHTBLUE	= LBE	ORANGE	= OR

D	REVISION see word.doc	PHn	040420
C	REVISION see word.doc	PHn	040416
B	REVISION see word.doc	PHn	040406
A	REVISION	PHn	040401
NR.	fNDRING	SIGN.	DATUM



ELECTRIC DRAWING  
FOR TYP 6800-1000 CARRIER 4-STROKE STANDARD

ARBETSNUMMER	RITNINGNUMMER	
-	3-10001	
KONSTRUERAD AV	RITAD AV	BLAD
PHn	PHn	
DATUM	REV.	FORTS.
040401	D	