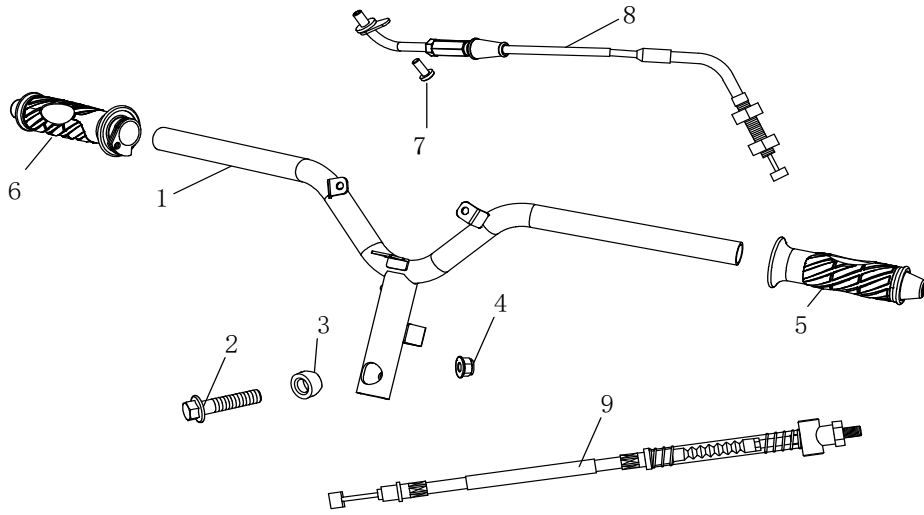
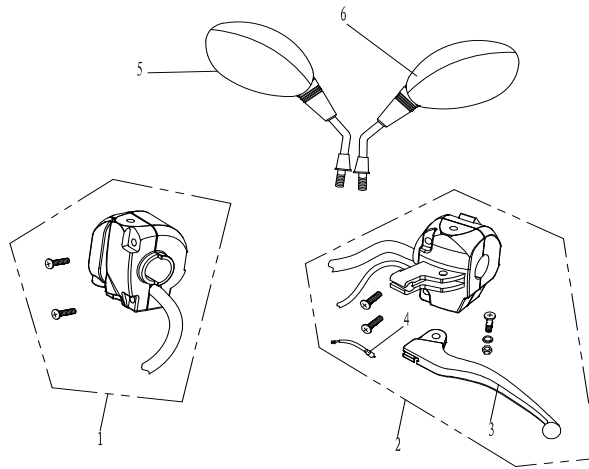


01 STEERING



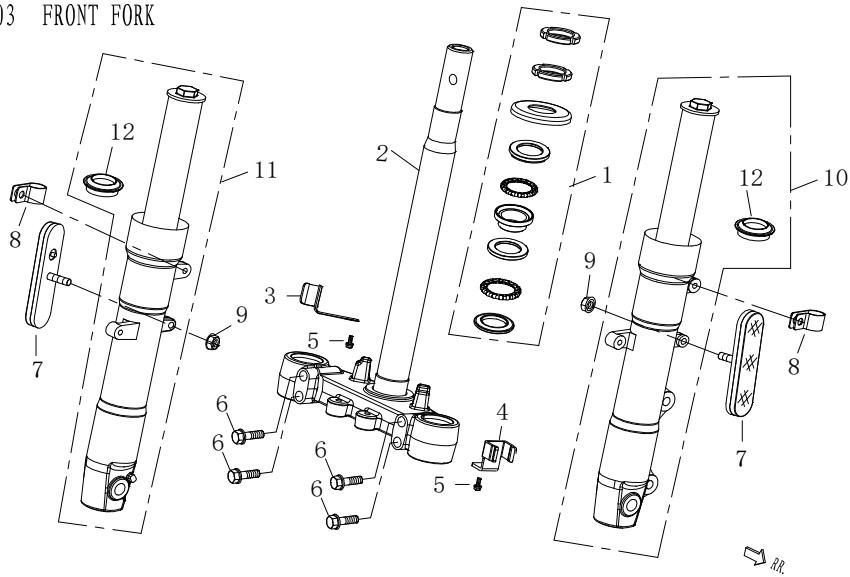
| No. | Part No. | Description | Description | Unit | Qty | Remark |
|-----|--------------------|-------------|-----------------|-------------------------|-----|--------|
| 1 | N-45110-0 | 2550474 | LJ50QT-N,电泳黑 | HANDLE COMP. | PCS | 1 |
| 2 | 9105-M10X1-25X50-A | 3230476 | 军绿 | FLANGE BOLT M10×1.25×48 | PCS | 1 |
| 3 | QBC-45101-0000 | 3420039 | LJ50QT-K,彩锌 | COLLAR | PCS | 1 |
| 4 | QBK-54303-0000 | 3238006 | GB/T 6187.2,镀军绿 | NUT M10×1.25 | PCS | 1 |
| 5 | QBK-45001-0000 | 3353504 | LJ50QT-K | L. GRIP | PCS | 1 |
| 6 | QBK-45010-0000 | 3353510 | LJ50QT-K | R. GRIP | PCS | 1 |
| 7 | | 3230322 | GB/T 818,镀军绿 | PAN HEAD SCREW M5×10 | PCS | 1 |
| 8 | N-46010-0 | 3480045 | LJ50QT-3L,3B1电控 | THROTTLE CABLE | PCS | 1 |
| 9 | N-46200-0 | 3480517 | LJ50QT-3L,全球鹰 | BRAKE CABLE | PCS | 1 |

02 R.L.S/W ASSY



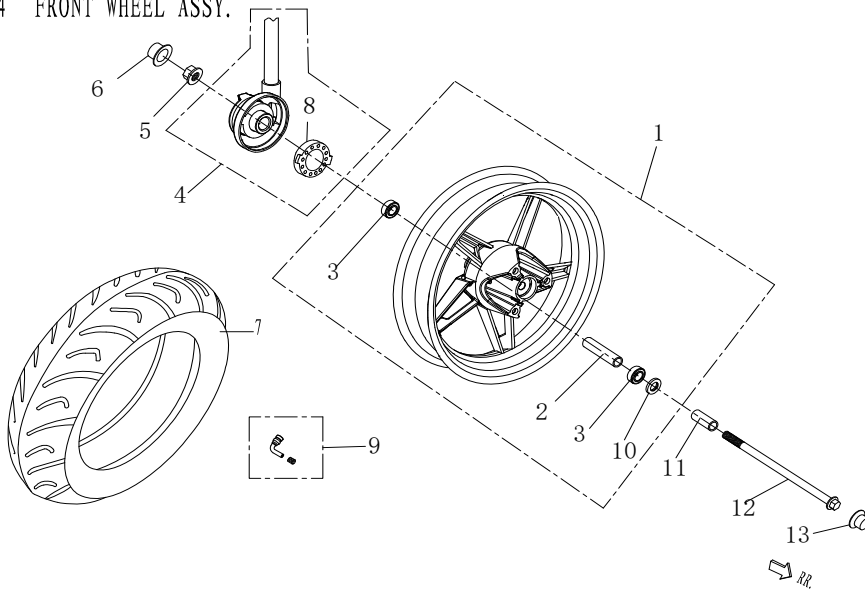
| No. | Part No. | Description | Description | Unit | Qty | Remark |
|-----|----------------|-------------|-----------------------------|---------------------------|-----|--------|
| 1 | QBL-34100-0000 | 3410013 | LJ50QT-2L,B08款,带手柄Φ17,近远光 P | LEFT HANDLE SWITCH ASSY. | PCS | 1 |
| 2 | N-34300-0 | 3410053 | LJ50QT-K,大灯开关改警示开关 | RIGHT HANDLE SWITCH ASSY. | PCS | 1 |
| 3 | QBK-34101-0000 | 3547001 | 左手柄 | Left lever | PCS | 1 |
| 4 | QBK-57112-0000 | | 后刹开关 | Brake switch RR | PCS | 1 |
| 5 | QBK-81200-0000 | 3561055 | 俏宇,QY140,E7-000504 | REARVIEW MIRROR R. | PCS | 1 |
| 6 | QBK-81200-0000 | 3561055 | 俏宇,QY140,E7-000504 | REARVIEW MIRROR L. | PCS | 1 |
| 7 | | 3357501 | LJ50QT-K | | | |

03 FRONT FORK



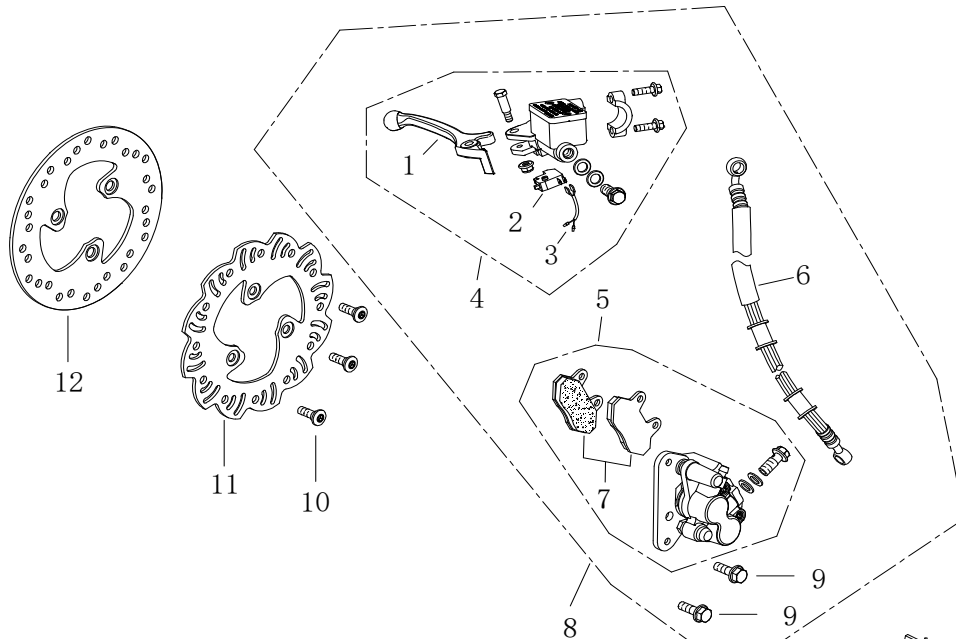
| No. | Part No. | Description | Description | Unit | Qty | Remark |
|-----|----------------|-------------|-------------------------------|------------------------------|-----|--------|
| 1 | TJR-51300-0000 | 3570001 | LJ125T-16 | BALL RACE COMP. | PCS | 1 |
| | N-51200-0 | 3421564 | LJ50QT-N | UNDER BRACKET COMP. | PCS | 1 |
| 2 | | 2550039 | LJ50QT-8M,电泳黑 | CABLE HOLDER | PCS | 1 |
| 3 | | 3429538 | LJ125T-2V,F19,电泳黑 | BRAKE HOSE HOLDER 2 | PCS | 1 |
| 4 | | 3230061 | GB/T 5789,镀军绿 | FLANGE BOLT M6×12 | PCS | 2 |
| 5 | | 3230154 | GB/T 16674.1,镀军绿 | FLANGE BOLT M8×1.25×35 | PCS | 4 |
| 6 | QBY-32500-0000 | 3376008 | 科光,E9-02.1201,DOT,M6 | SIDE RETRO REFLECTING DEVICE | PCS | 2 |
| 7 | | 3429522 | LJ50QT-8M,电泳黑 | BRAKE HOSE HOLDER | PCS | 2 |
| 8 | QBK-42703-0000 | 3238027 | GB/T 6177.1,镀军绿 | NUT M6 | PCS | 2 |
| 9 | QBY-51510-0 | 3510066 | 星火,Φ31,L420,钱江灰,轴孔Φ12,弹簧刚度6.5 | F.R. FORK ASSY | PCS | 1 |
| 10 | QBY-51520-1 | 3510065 | 星火,Φ31,L420,钱江灰,轴孔Φ12,弹簧刚度6.5 | F.L. FORK ASSY | PCS | 1 |
| 11 | | 3510079 | 油封31*43*10.3 | GASKET | PCS | 2 |

04 FRONT WHEEL ASSY.



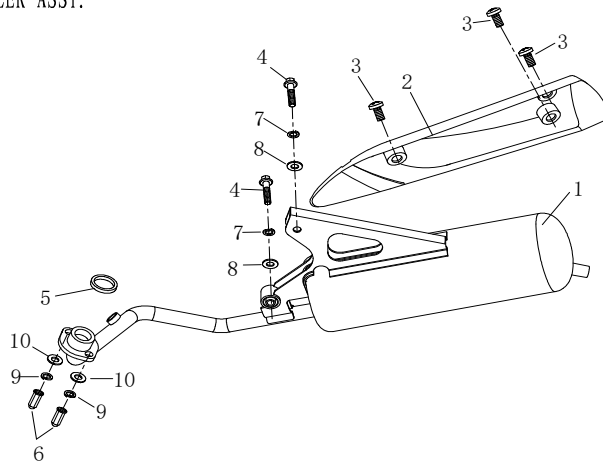
| No. | Part No. | Description | Description | Unit | Qty | Remark |
|-----|----------------|-------------|-------------------------------|-----------------------------|-----|--------|
| 1 | ABS-52100-0000 | 3500118 | 碟刹,飞虎,2.5*12,黑,ABS-52100-0000 | RIM COMP. 2.5×12 | PCS | 1 |
| 2 | | 3500138 | LJ50QT-K,长76 | BUSH | PCS | 1 |
| 3 | TBFF0404 | 3500135 | 6201RS | BALL BEARING 6201-2RS | PCS | 2 |
| 4 | QBY-52040-0000 | 3402008 | LJ50QT-8M,CHARGER,电子式,波纹管,黑色 | SPEEDOMETER GEAR COMP. | PCS | 1 |
| 5 | TBFE0504 | 3238011 | GB/T 6187.2,镀彩锌 | NUT M12×1.25 | PCS | 1 |
| 6 | QBK-52004-0000 | 3356002 | Φ18 | RUBBER CAP (17) | PCS | 1 |
| 7 | N-52001-0 | 3502524 | 真空,正新,环保,110/70-12,EEC,C922 | TIRE 110/70-12 | PCS | 1 |
| 8 | QBY-52040-0001 | 3402011 | LJ50QT-8M,CHARGER | ROTATOR | PCS | 1 |
| 9 | QBK-52020-0000 | 3503505 | 弯头 | RIM VALVE COMP. | PCS | 1 |
| 10 | TBFF0403 | 3500132 | 22*35*5 | OIL SEAL 22×35×7 | PCS | 1 |
| 11 | QBK-52002-0000 | 3287508 | Φ12*Φ22*22,彩锌 | COLLAR | PCS | 1 |
| 12 | QBY-52005-0000 | 3285015 | M12*1.25,彩锌 | FR. WHEEL AXLE M12×1.25×235 | PCS | 1 |
| 13 | | 3356001 | Φ14 | RUBBER CAP (14) | PCS | 1 |

05 FRONT DISK BRAKE



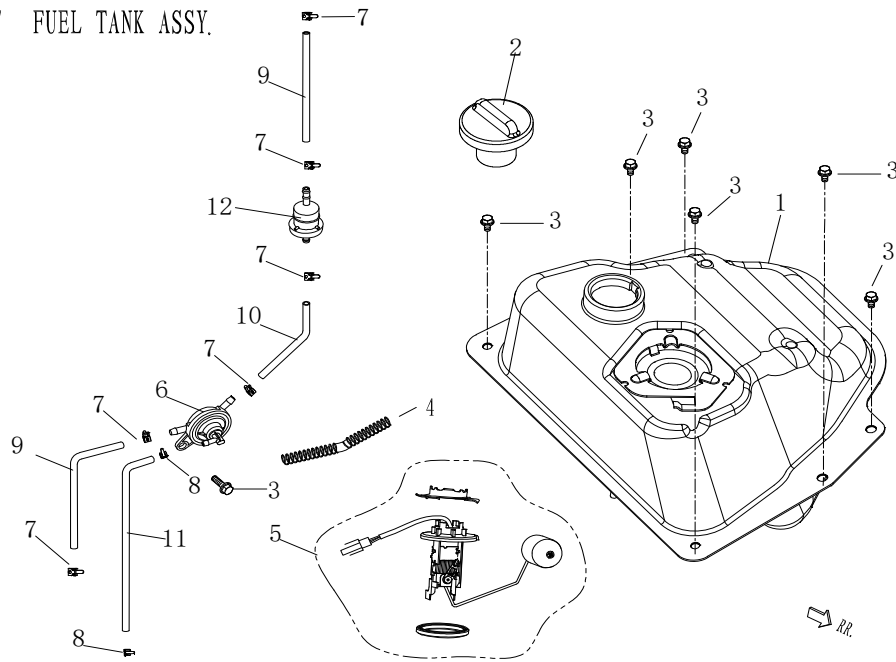
| No. | Part No. | Description | Description | Unit | Qty | Remark |
|-----|----------------|----------------------|---------------------------|--------------------------------------|-----|--------|
| 1 | 3547074 | LJ50QT-3L,全球鹰,黑色,φ17 | DISC BRAKE LEVER R. | PCS | 1 | |
| 2 | QBL-56150-0000 | 3547021 | LJ50QT-M,F22,方 | BRAKE SWITCH | PCS | 1 |
| 3 | QBM-57112-0000 | 3547024 | LJ50QT-M,F22 | BRAKE SWITCH CABLE(FRONT /REAR DISK) | PCS | 1 |
| 4 | N-56110-0 | 3547076 | LJ50QT-3L,全球鹰 | CYLINDER COMP | PCS | 1 |
| 5 | N-56130-0 | 3547094 | LJ50QT-8M,双缸,红漆 | CALIPER ASSY | PCS | 1 |
| 6 | | 3547119 | LJ50QT-2L,全球鹰,橡胶管 | FR.BRAKE HOSE | PCS | 1 |
| 7 | QBY-56131-0000 | 3547012 | LJ125T-V,双缸 | BRAKE PAD KIT | PCS | 1 |
| 8 | | 3540138 | 黑,橡胶管,手柄黑,球头φ17 | DISC BRAKE ASSY., FR. MODEL | PCS | 1 |
| 9 | | 3230391 | GB/T 5789,8.8级,镀军绿 | BOLT M8×25 | PCS | 2 |
| 10 | QBK-57002-0000 | 3230383 | 镀军绿,QBR-56002-0000 | BOLT | PCS | 3 |
| 11 | | 3541022 | 花盘,黑色,外径φ190,厚4,taljet款 P | BRAKE DISC,MODEL1 | PCS | 1 |
| 12 | TBFF0502 | 3541018 | 圆盘,本色,外径φ190,厚4 | BRAKE DISC,MODEL2 | PCS | 1 |

06 MUFFLER ASSY.



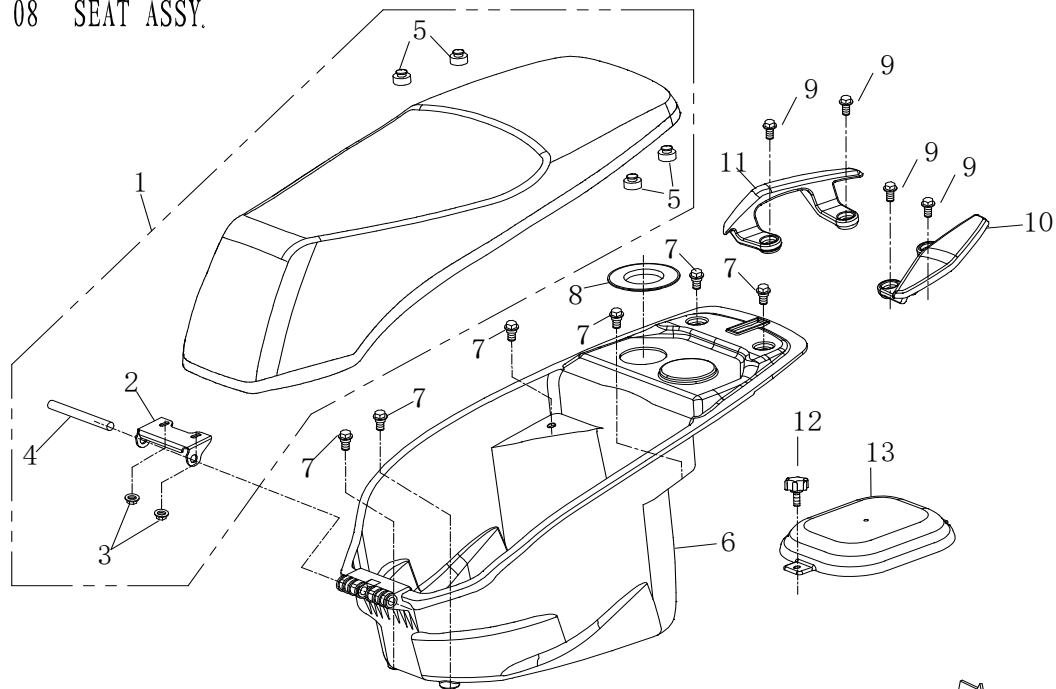
| No. | Part No. | Description | Description | Unit | Qty | Remark |
|-----|----------------|-------------|----------------------|----------------------|-----|--------|
| 1 | N-26100-0 | 2530178 | 有触媒,有氧传感器,e9 LONGJIA | MUFFLER | PCS | 1 |
| 2 | N-26140-0 | 3330025 | 3B3,F彩尾盖,黑塑料护板 | SHIELD | PCS | 1 |
| 3 | | 3230463 | 盘头14,不锈钢 | SCREW M6×16 | PCS | 3 |
| 4 | | 3230173 | GB/T 16674.1,镀军绿 | BOLT M8×50 | PCS | 2 |
| 5 | 3B1-26001-0000 | 3334002 | 3B1,φ24*φ30*5 | GROMMET, EXHAUSTPIPE | PCS | 1 |
| 6 | | 3238067 | GB/T 923,镀军绿 | NUT M6×32 | PCS | 2 |
| 7 | | 3250405 | GB/T 93,镀军绿 | SPRING WASHER 8 | PCS | 2 |
| 8 | | 3250067 | GB/T 97.1,镀军绿 | WASHER 8 | PCS | 2 |
| 9 | | 3250403 | GB/T 93,镀军绿 | SPRING WASHER 6 | PCS | 2 |
| 10 | | 3250064 | GB/T 96,镀军绿 | WASHER 6 | PCS | 2 |

07 FUEL TANK ASSY.



| No. | Part No. | Description | Description | Unit | Qty | Remark |
|-----|----------------|-------------|--------------------------|--------------------|-----|--------|
| 1 | N-44110-0 | 3470631 | LJ50QT-N,化油器,黑色 | FUEL TANK COMP. | PCS | 1 |
| | | 3470632 | LJ50QT-N,三国电喷,黑色 | FUEL TANK COMP.EFI | PCS | 1 |
| 2 | QBC-44140-0000 | 3470528 | LJ50QT-4,猎鹰,彩锌 P | FUEL TANK CAP | PCS | 1 |
| 3 | | 3230061 | GB/T 5789,镀军绿 | BOLT M6×12 | PCS | 7 |
| 4 | | 3390002 | Φ12*Φ0.8*240,发黑 | SENDER UNIT GASKET | PCS | 1 |
| 5 | N-33200-0 | 3402524 | LJ50QT-N,含钨20% | SENDER UNIT | PCS | 1 |
| 6 | TK4F1402 | 3470534 | LJ50QT-4,猎鹰 | FUEL COCK ASSY. | PCS | 1 |
| 7 | | 3261010 | QC/T 621,彩锌 | CLAMP,HOSE(8) | PCS | 6 |
| 8 | | 3261012 | QC/T 621,彩锌 | CLAMP,HOSE(7) | PCS | 2 |
| 9 | QBM-44002-0000 | 3351003 | Φ4.5*Φ8.5*900*300/210/34 | FUEL HOSE(4.5×8.5) | PCS | 1 |
| 10 | QBM-44002-0000 | 3351003 | Φ4.5*Φ8.5*900*300/210/34 | FUEL HOSE(4.5×8.5) | PCS | 1 |
| 11 | | 3351002 | Φ3.5*Φ7.5*280/120 | FUEL HOSE(3.5×7.5) | PCS | 1 |
| 12 | | 3470531 | Φ28,纸质滤芯,带护套 P | FUEL FILTER ASSY. | PCS | 3 |

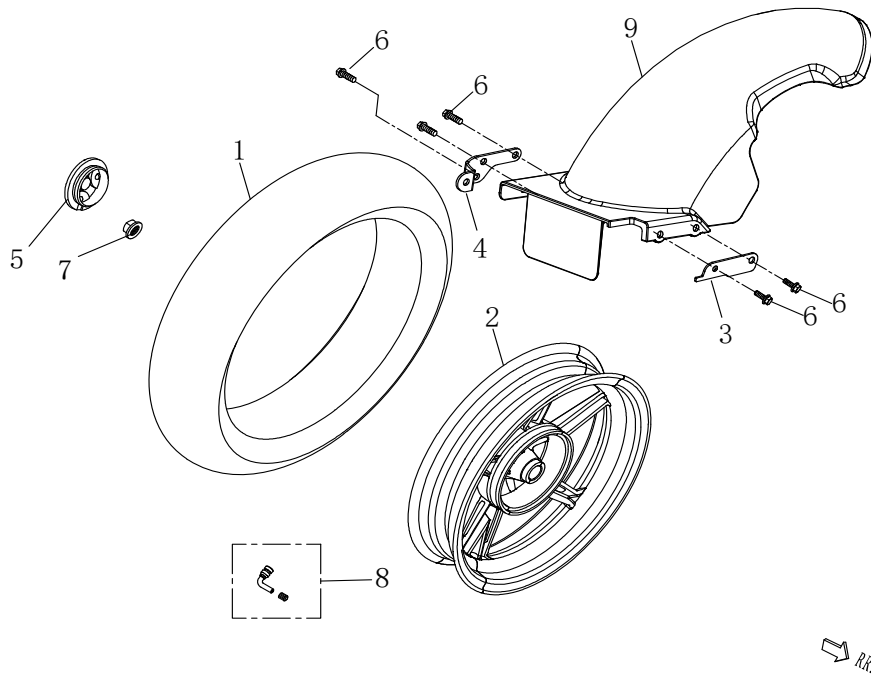
08 SEAT ASSY.



RR

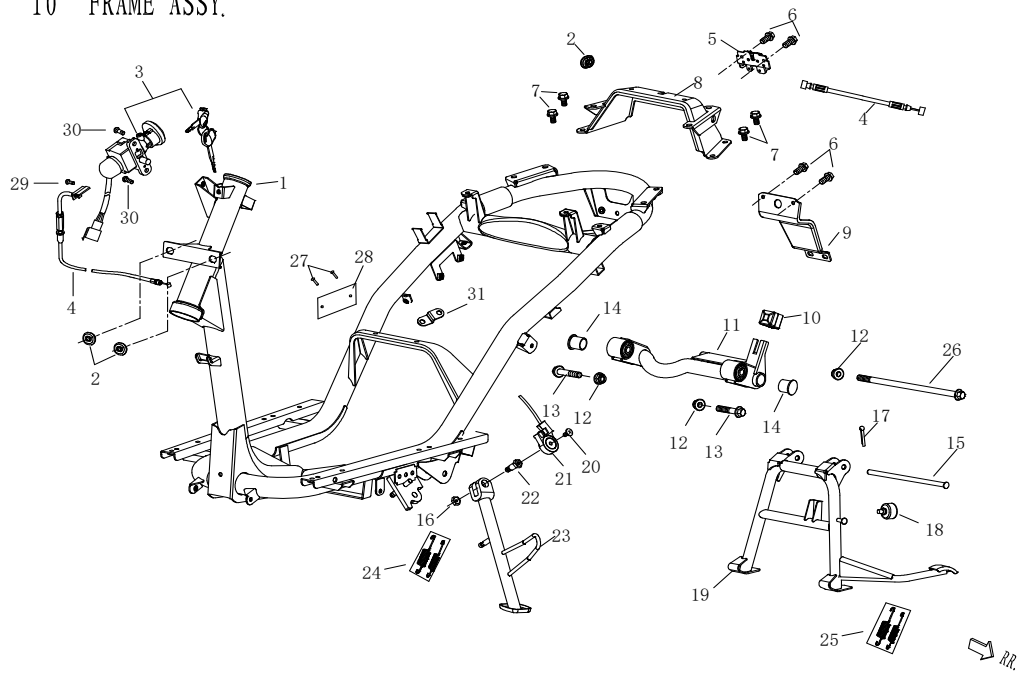
| No. | Part No. | Description | Description | Unit | Qty | Remark |
|-----|----------------|-------------|---------------------|------------------|-----|--------|
| 1 | N-43100-0 | 3460261 | A款,布纹黑30号,双红线 | SEAT ASSY. | PCS | 1 |
| 2 | | 3460144 | LJ50QT-8M,CHARGER | SEAT BRACKET | PCS | 1 |
| 3 | | 3238026 | GB/T 6177.1,镀彩锌 | NUT M6 | PCS | 2 |
| 4 | | 3460145 | LJ50QT-8M,CHARGER | AXES | PCS | 1 |
| 5 | | 3460206 | 高8mm | RUBBER | PCS | 1 |
| 6 | N-42001-0 | 3450105 | LJ50QT-N,PP,黑色 | LUGGAGE BOX | PCS | 1 |
| 7 | | 3230365 | 镀军绿 | BOLT M6×16×3 | PCS | 6 |
| 8 | | 3358534 | LJ50QT-N | FUEL TANK RUBBER | PCS | 1 |
| 9 | | 3230599 | GB/T 70.2,不锈钢,盘头18 | BOLT M8×35 | PCS | 4 |
| 10 | N-41421-0 | 3455062 | LJ50QT-N,铝,钱江灰50638 | LEFT ARMREST | PCS | 1 |
| 11 | N-41421-0 | 3455063 | LJ50QT-N,铝,钱江灰50638 | RIGHT ARMREST | PCS | 1 |
| 12 | | 3450066 | LJ50QT-8M,PP,黑色 | BOLT | PCS | 1 |
| 13 | TJV-42002-0000 | 3450079 | LJ125T-8M,PP,黑色 | COVER | PCS | 1 |

09 REAR WHEEL ASSY.



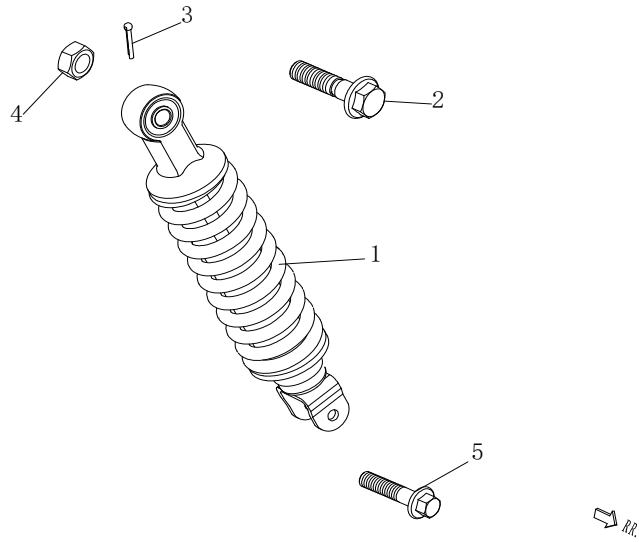
| No. | | Part No. | Description | Description | Unit | Qty | Remark |
|-----|----------------|----------|-------------------------------|------------------------|------|-----|--------|
| 1 | N-52001-0 | 3502524 | 真空,正新,环保,110/70-12,EEC,C922 | TIRE 110/70-12 | PCS | 1 | |
| 2 | QB9-54100-0000 | 3500112 | 鼓刹,飞虎,2.5*12,黑,QB9-54100-0000 | WHEEL RIM R. | PCS | 1 | |
| 3 | | 2550480 | LJ50QT-N,3B3,电泳黑 | BRACKET REAR FENDER L. | PCS | 1 | |
| 4 | | 2550479 | LJ50QT-N,3B3,电泳黑 | BRACKET REAR FENDER R. | PCS | 1 | |
| 5 | QBK-54001-0000 | 3454034 | LJ50QT-K,B88,PA+20%GF,黑色 | RUBBER CAP | PCS | 1 | |
| 6 | TBFE0809 | 3220003 | E,GB/T 16674.1,8.8级,军绿 | BOLT M6×12 | PCS | 5 | |
| 7 | | 3238021 | GB/T 6187.2,镀军绿 | NUT,M16×1.5 | PCS | 1 | |
| 8 | QBK-52020-0000 | 3503505 | 弯头 | VALVE,RIM,TR412 | PCS | 1 | |
| 9 | N-42704-0 | 3454069 | LJ50QT-N,PP,黑色 | | PCS | 1 | |

10 FRAME ASSY.



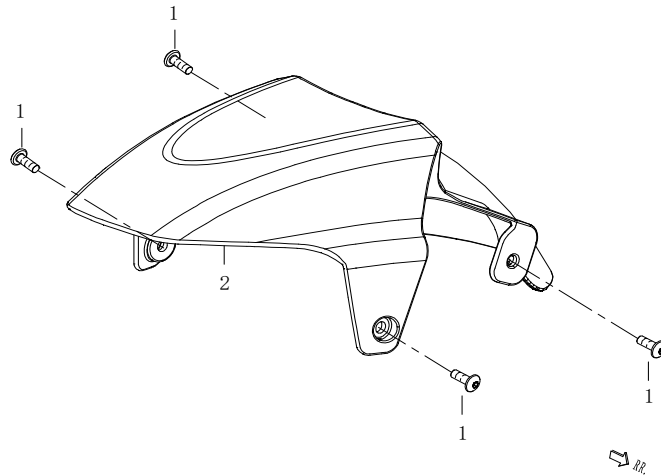
| No. | Part No. | Description | Description | Unit | Qty | Remark |
|-----|----------------|-----------------------|--|---------------------------|-----|--------|
| 1 | 2550473 | LJ50QT-N,3B3,EEC,电泳黑 | FRAME COMP. | PCS | 1 | |
| 2 | 3358025 | PNE150ZH-3, LONGJIA标记 | RUBBER | PCS | 3 | |
| 3 | QBY-47110-0000 | 3490027 | LJ50QT-8M, CHARGER, 无标识 | LOCK ASSY | PCS | 2 |
| 4 | QBY-46030-0000 | 3481011 | LJ50QT-8M, CHARGER | SEAT CABLE | PCS | 1 |
| 5 | QBV-47200-0000 | 3429007 | LJ50QT-V, ESTATE | SEAT CATCH COMP. | PCS | 1 |
| 6 | GBT5789-M6x16 | 3220009 | E, GB/T 16674.1, 8.8级, 军绿 | BOLT M6×16 | PCS | 4 |
| 7 | GBT5789-M8x12 | 3220080 | E, GB/T 16674.1, 8.8级, 军绿 | BOLT M8×12 | PCS | 4 |
| 8 | | 2550477 | LJ50QT-N, 电泳黑 | CARRIER BRACKET | PCS | 1 |
| 9 | | 2550476 | LJ50QT-N, 电泳黑 | BRACKET REAR FENDER | PCS | 1 |
| 10 | | 3356518 | LJ50QT-N | RUBBER, REAR | PCS | 1 |
| 11 | N-53110-0 | 2550475 | LJ50QT-N, 3B3, 电泳黑 | HANGER COMP ENGINE | PCS | 1 |
| 12 | QBK-54303-0000 | 3238006 | GB/T 6187.2, 镀军绿 | NUT M10×1.25 | PCS | 3 |
| 13 | | 3230617 | 镀军绿 | BOLT M10*1.25*Φ12*39 | PCS | 2 |
| 14 | | 3351503 | LJ150T-4, Φ20 | | PCS | 2 |
| 15 | QBK-41301-3000 | 3285036 | LJ50QT-4M, F3, Φ8*170, 镀白锌 | BOLT, ENGINE HANGERΦ8*170 | PCS | 1 |
| 16 | | 3238053 | GB/T 6170, 镀军绿 | NUT M8 | PCS | 1 |
| 17 | | 3273011 | GB/T 91, 镀白锌 | NUT M8 | PCS | 1 |
| 18 | TJV-41322-0000 | 3356503 | LJ150T-4 | RUBBER | PCS | 1 |
| 19 | N-41320-0 | 2550467 | LJ50QT-N, 3B3, 高210, 电泳黑 | MAIN STAND COMP. | PCS | 1 |
| 20 | | 3230363 | 盘头16, 镀军绿 | SCREW M6×16 | PCS | 1 |
| 21 | QBC-34600-0000 | 3413002 | 圆形 | CUTOFF SWITCH | PCS | 1 |
| 22 | QBM-41411-0000 | 3230371 | LJ50QT-M, F22, 熄火, M8*28, QBM-41201-0000 | BOLT, SIDE STAND MOUNTING | PCS | 1 |
| 23 | N-41220-0 | 2550478 | LJ50QT-N, 电泳黑 | SIDE STAND COMP. | PCS | 1 |
| 24 | QBM-41421-0033 | 3391502 | LJ50QT-M, F22, 双弹簧, 110, 半圆180度, 电泳黑 | SPRING SIDE STAND | PCS | 1 |
| 25 | YY50QT003004 | 3392003 | 双弹簧, 85, 电泳黑 | SPRING MAIN STAND | PCS | 1 |
| 26 | | 3285072 | M10*1.25, 蓝白锌 | BOLT, M10×1.25×170 | PCS | 1 |
| 27 | | 3274001 | GB/T 12618 | RIVET3.2*9 | PCS | 2 |
| 28 | | 2763001 | E4, 龙嘉, 铜 | FRAME BODY NO. PLATE | PCS | 1 |
| 29 | | 3230322 | GB/T 818, 镀军绿 | SCREW M5×10 | PCS | 1 |
| 30 | | 3230612 | 镀军绿 | SCREW M6×16 | PCS | 2 |
| 31 | | 2550471 | 3B3, 2.0, 电泳黑 | BRACKET | PCS | 2 |

11 REAR SHOCK ABSORBER ASSY.



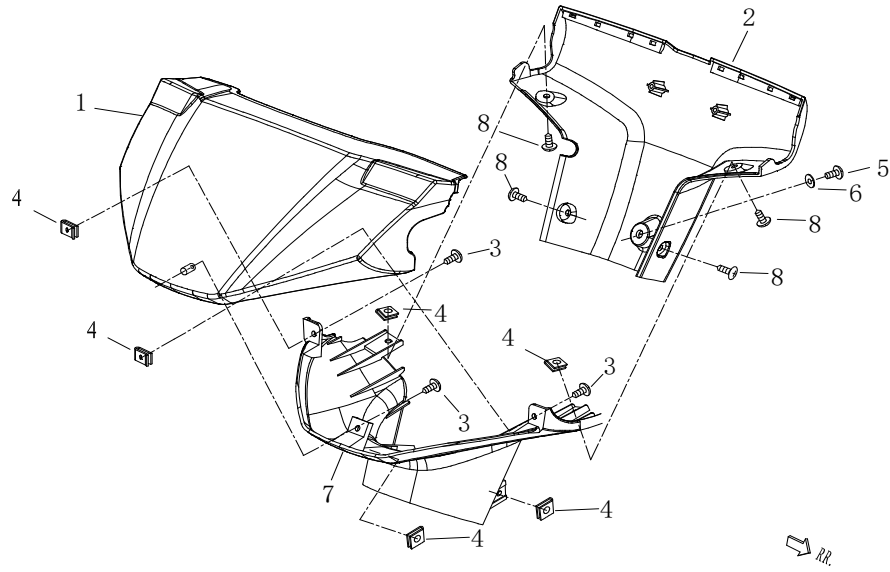
| No. | Part No. | Description | Description | Unit | Qty | Remark |
|-----|----------------|--------------------------------|----------------------------|------|-----|--------|
| 1 | N-53200-0 | 3512023 主火,270,燕萍真,镀锌,500N | RR. SHOCK ABSORBER.(270MM) | PCS | 1 | |
| 2 | | 3230001 GB/T 31.3, 镀军绿 | BOLT M10×1.25×40 | PCS | 1 | |
| 3 | | 3273011 GB/T 91, 镀白锌 | PIN 2.5×30 | PCS | 1 | |
| 4 | QBK-54303-0000 | 3238042 GB/T 6171, 镀军绿 | NUT M10×1.25 | PCS | 1 | |
| 5 | | 3230406 GB/T 16674.1,8.8级, 镀军绿 | BOLT M8×32 | PCS | 1 | |

12 FRONT FENDER



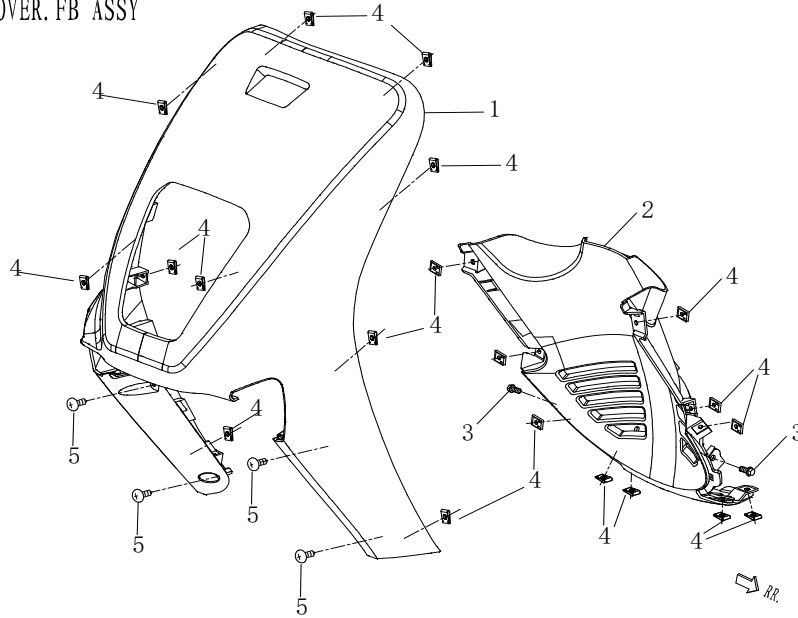
| No. | Part No. | Description | Description | Unit | Qty | Remark |
|-----|-----------|------------------------|--------------|------|-----|--------|
| 1 | | 3230410 GB/T 70.2, 不锈钢 | SCREW M6×16 | PCS | 4 | |
| 2 | N-42101-0 | 3445052 LJ50QT-N, ABS | FRONT FENDER | PCS | 1 | |

13 HANDLE COVER



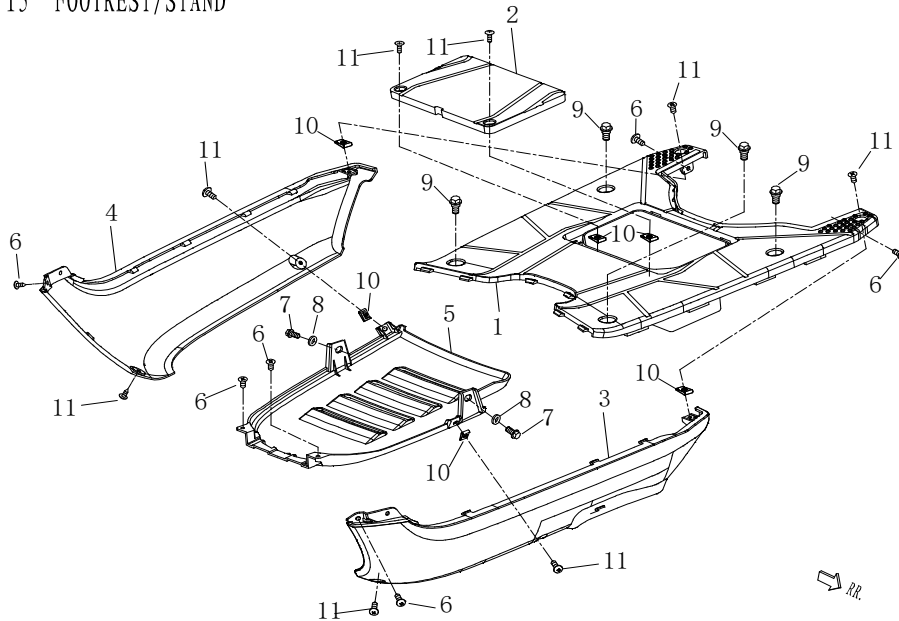
| No. | | Part No. | Description | Description | Unit | Qty | Remark |
|-----|-----------|----------|--------------------|----------------------|------|-----|--------|
| 1 | N-42201-0 | 3441583 | LJ50QT-N,ABS | FRONT HANDLE COVER | PCS | 1 | |
| 2 | N-42202-0 | 3443585 | LJ50QT-N,PP,黑色 | REAR HANDLE COVER | PCS | 1 | |
| 3 | | 3230358 | GB/T 2823,镀军绿 | SCREW ST4.8×16 | PCS | 3 | |
| 4 | | 3238060 | 镀军绿 | SPRING NUT 4.2 | PCS | 6 | |
| 5 | | 3230491 | GB/T 70.2,不锈钢,盘头12 | SCREW M6×16 | PCS | 1 | |
| 6 | | 3250411 | GB/T 97.1,不锈钢 | WASHER, SPRING (6) | PCS | 1 | |
| 7 | N-42207-0 | 3441582 | LJ50QT-N,ABS | FRONT HANDLE COVER 2 | PCS | 1 | |
| 8 | | 3230357 | GB/T 2823,不锈钢 | SCREW ST4.8×16 | PCS | 4 | |

14 COVER.FB ASSY



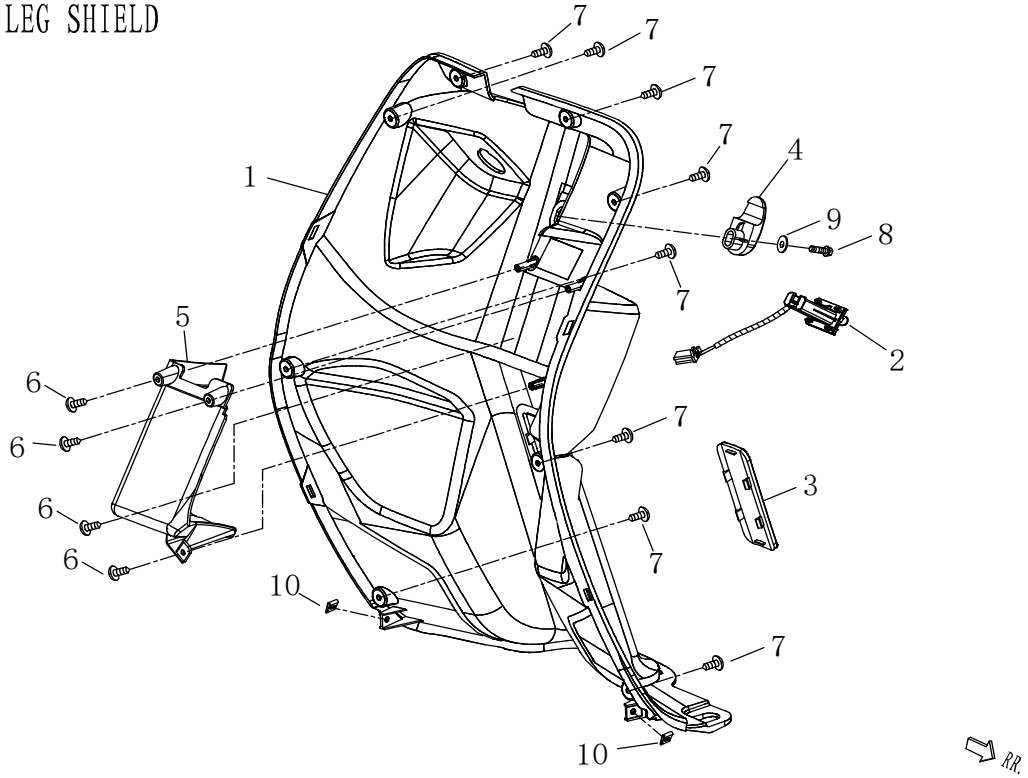
| No. | Part No. | Part No. | Description | Description | Unit | Qty | Remark |
|-----|-----------|----------|----------------|----------------|------|-----|--------|
| 1 | N-42302-0 | 3443586 | LJ50QT-N,ABS | FRONT SHIELD | PCS | 1 | |
| 2 | N-42504-0 | 3447542 | LJ50QT-N,PP,黑色 | FRAME FENDER A | PCS | 1 | |
| 3 | | 3230061 | GB/T 5789,镀军绿 | BOLT M6×12 | PCS | 2 | |
| 4 | | 3238060 | 镀军绿 | SPRING NUT 4.2 | PCS | 20 | |
| 5 | | 3230357 | GB/T 2823,不锈钢 | SCREW ST4.8×16 | PCS | 4 | |

15 FOOTREST/STAND



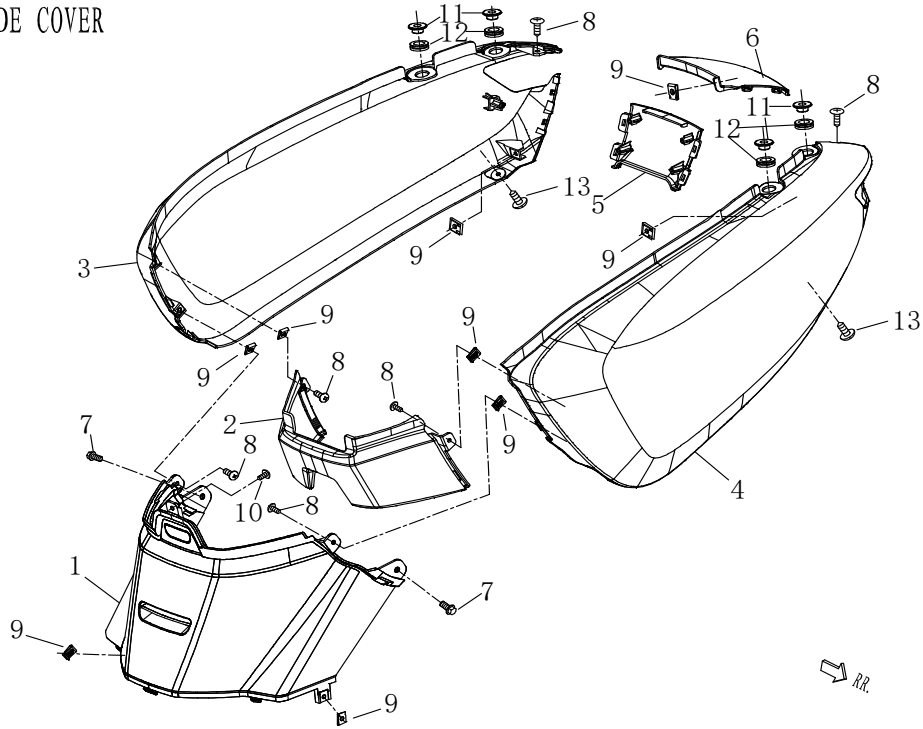
| No. | Part No. | Part No. | Description | Description | Unit | Qty | Remark |
|-----|-----------|----------|----------------|------------------|------|-----|--------|
| 1 | N-42401-0 | 3449086 | LJ50QT-N,PP,黑色 | FLOOR | PCS | 1 | |
| 2 | N-42402-0 | 3449087 | LJ50QT-N,PP,黑色 | COVER,BATTERY | PCS | 1 | |
| 3 | N-42507-0 | 3449089 | LJ50QT-N,ABS | LEFT SIDE COVER | PCS | 1 | |
| 4 | N-42508-0 | 3449088 | LJ50QT-N,ABS | RIGHT SIDE COVER | PCS | 1 | |
| 5 | N-42505-0 | 3447543 | LJ50QT-N,PP,黑色 | UNDER COVER | PCS | 1 | |
| 6 | | 3230358 | GB/T 2823,镀军绿 | SCREW ST4.8×16 | PCS | 6 | |
| 7 | | 3230472 | 镀军绿 | BOLT M6×12 | PCS | 2 | |
| 8 | | | | | | | |
| 9 | | 3230399 | 不锈钢 | BOLT M6×16×3 | PCS | 4 | |
| 10 | | 3238060 | 镀军绿 | SPRING NUT 4.2 | PCS | 6 | |
| 11 | | 3230357 | GB/T 2823,不锈钢 | SCREW ST4.8×16 | PCS | 8 | |

16 LEG SHIELD



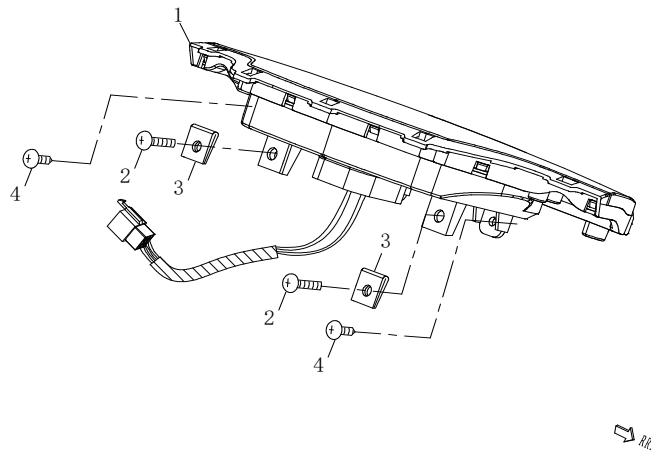
| No. | Part No. | Description | Description | Unit | Qty | Remark |
|-----|----------------|-------------|-----------------------|--------------------|-----|--------|
| 1 | N-42501-0 | 3445562 | LJ50QT-N,PP,黑色 | LEG SHIELD | PCS | 1 |
| 2 | N-3380010-0 | 3380010 | LJ250-V,DC5V/1A,线长150 | USB | PCS | 1 |
| 3 | N-42502-0 | 3446546 | LJ50QT-N,PP,黑色 | INSPECT COVER | PCS | 1 |
| 4 | QBK-42503-0000 | 3446512 | LJ50QT-K,B88,PP,黑色 | HOOK, HELMET | PCS | 1 |
| 5 | N-42501-5 | 3445561 | LJ50QT-N,PP,黑色 | | PCS | 1 |
| 6 | | 3230352 | GB/T 2823,镀军绿 | SCREW ST4.2×12 | PCS | 4 |
| 7 | | 3230357 | GB/T 2823,不锈钢 | SCREW ST4.8×16 | PCS | 8 |
| 8 | | 3230494 | GB/T 70.2,不锈钢,盘头12 | BOLT M6×25 | PCS | 1 |
| 9 | | 3250411 | GB/T 97.1,不锈钢 | WASHER, SPRING (6) | PCS | 1 |
| 10 | | 3238060 | 镀军绿 | SPRING NUT 4.2 | PCS | 2 |

17 SIDE COVER



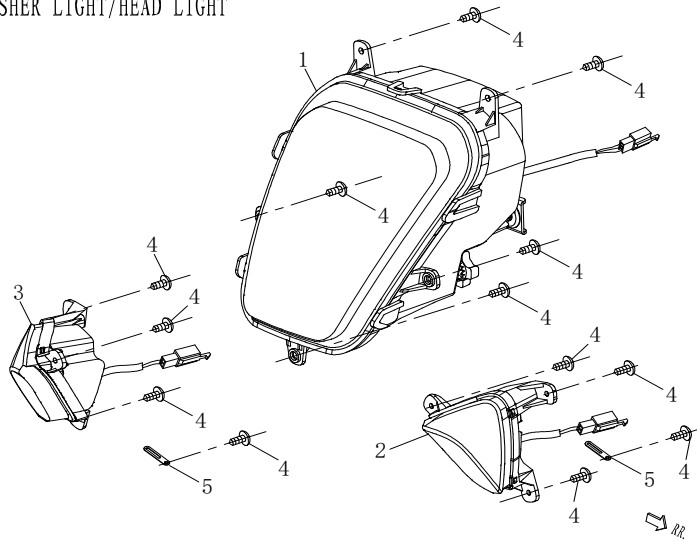
| No. | Part No. | Description | Description | Unit | Qty | Remark |
|-----|-----------|-------------|------------------------------------|---------------------|-----|--------|
| 1 | N-42603-1 | 3450106 | LJ50QT-N,PP,黑色 | MAINTAIN COVER DOWN | PCS | 1 |
| 2 | N-42603-2 | 3450107 | LJ50QT-N,ABS | MAINTAIN COVER UP | PCS | 1 |
| 3 | N-42606-0 | 3451261 | LJ50QT-N,ABS | COVER R.R. | PCS | 1 |
| 4 | N-42605-0 | 3451260 | LJ50QT-N,ABS | COVER R.L. | PCS | 1 |
| 5 | N-42603-5 | 3453050 | LJ50QT-N,ABS | CENTER COVER UP. | PCS | 1 |
| 6 | | 3453051 | LJ50QT-N,ABS | CENTER COVER DOWN. | PCS | 1 |
| 7 | | 3230061 | GB/T 5789,镀军绿 | BOLT M6×12 | PCS | 2 |
| 8 | | 3230358 | GB/T 2823,镀军绿 | SCREW ST4.8×16 | PCS | 6 |
| 9 | | 3238060 | 镀军绿 | SPRING NUT 4.2 | PCS | 9 |
| 10 | | 3230352 | GB/T 2823,镀军绿 | SCREW ST4.2×12 | PCS | 1 |
| 11 | | 3287527 | Φ8*Φ12*Φ20*6*8,蓝白锌, QBY-41403-0000 | ARMREST BUSH | PCS | 4 |
| 12 | | 3358503 | LJ50QT-8M,CHARGER | SIDE COVER RUBBER | PCS | 4 |
| 13 | | 3230357 | GB/T 2823,不锈钢 | SCREW ST4.8×16 | PCS | 2 |

18 SPEEDOMETER



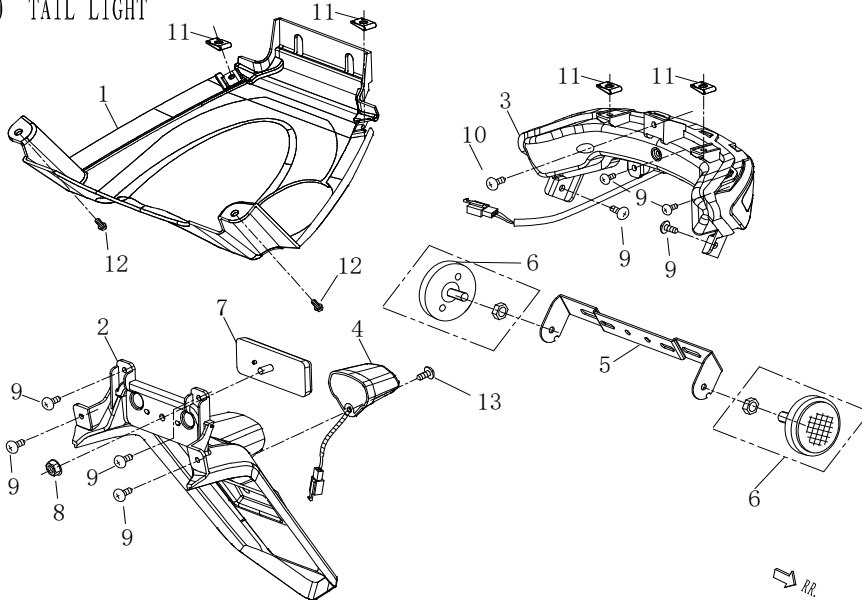
| No. | Part No. | Description | Description | Unit | Qty | Remark |
|-----|-----------|-------------|-------------------------------------|----------------|-----|--------|
| 1 | N-33100-0 | 3400150 | 80km/h50mph,电控,无AP P, 无自动大灯 | SPEEDOMETER A | PCS | 1 |
| | | 3400151 | 80km/h50mph,电控,无AP P, 无自动大灯, 带启停指示灯 | SPEEDOMETER B | PCS | 1 |
| 2 | | 3230335 | GB/T 818,镀军绿 | SCREW M6×12 | PCS | 2 |
| 3 | | 3238062 | 镀军绿 | SPRING NUT 6 | PCS | 2 |
| 4 | | 3230352 | GB/T 2823,镀军绿 | SCREW ST4.2×12 | PCS | 2 |

19 FLASHER LIGHT/HEAD LIGHT



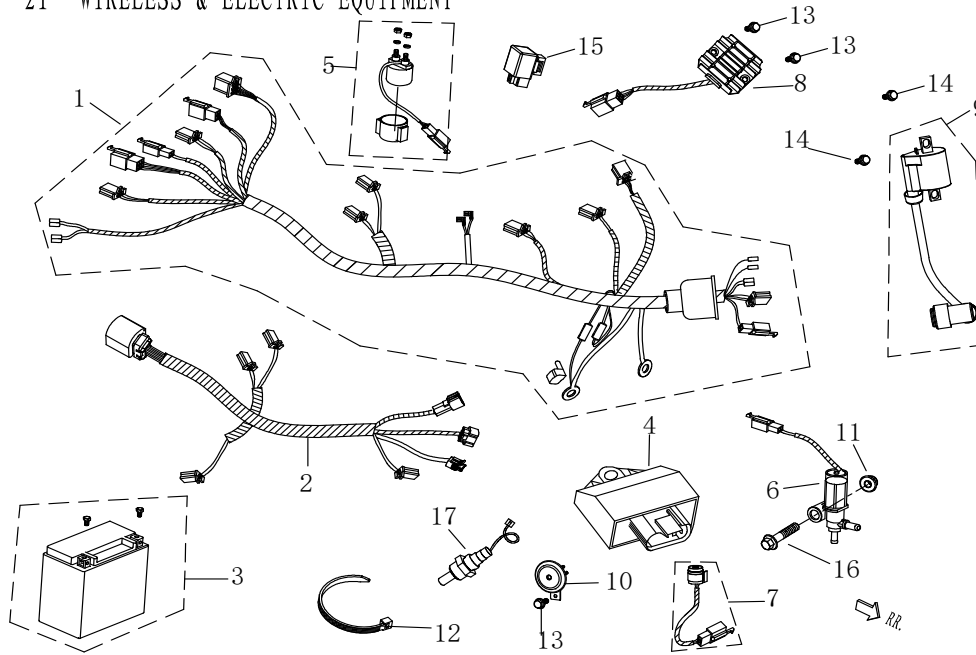
| No. | Part No. | Description | Description | Unit | Qty | Remark |
|-----|-----------|-------------|--------------------|-------------------------|-----|--------|
| 1 | N-32100-0 | 3372091 | LJ50QT-N, LED | HEAD LIGHT ASSY. | PCS | 1 |
| 2 | N-32410-0 | 3374167 | LJ50QT-N | FLASHER LIGHT ASSY., FL | PCS | 1 |
| 3 | N-32420-0 | 3374168 | LJ50QT-N | FLASHER LIGHT ASSY., FR | PCS | 1 |
| 4 | | 3230352 | GB/T 2823, 镀军绿 | SCREW ST4.2×12 | PCS | 13 |
| 5 | | 3425236 | LJ50QT-V,ESTATE,附塑 | CLIP | PCS | 2 |

20 TAIL LIGHT



| No. | Part No. | Description | Description | Unit | Qty | Remark |
|-----|----------------|-------------|-----------------------------|---------------------------|-----|--------|
| 1 | N-42601-0 | 3453049 | LJ50QT-N,PP,黑色 | FUEL TANK COVER | PCS | 1 |
| 2 | N-42701-0 | 3454068 | LJ50QT-N,PP,黑色 | FENDER RR. | PCS | 1 |
| 3 | | 3373575 | LJ50QT-N | TAIL LIGHT ASSY. | PCS | 1 |
| 4 | QBY-32300-0000 | 3375008 | LJ50QT-8M,CHARGER,E4-002167 | LICENSE PLATE LIGHT | PCS | 1 |
| 5 | | 2550060 | LJ125T-16,TREVIS,电泳黑,普通 | LICENSE PLATE BRACKET | PCS | 1 |
| 6 | TK4F0604 | 3376002 | 科光,E9-02.1270,DOT | FLASHER LIGHT ASSY. | PCS | 2 |
| 7 | | 3376006 | 科光,E9-02.1269,DOT,M6 | FLASHER LIGHT ASSY., REAR | PCS | 1 |
| 8 | | 3238027 | GB/T 6177.1, 镀军绿 | NUT M6 | PCS | 1 |
| 9 | | 3230352 | GB/T 2823, 镀军绿 | SCREW ST4.2×12 | PCS | 8 |
| 10 | | 3230358 | GB/T 2823, 镀军绿 | SCREW ST4.8×16 | PCS | 1 |
| 11 | | 3238060 | 镀军绿 | SPRING NUT 4.2 | PCS | 4 |
| 12 | | 3220009 | E,GB/T 16674.1,8.8级,军绿 | BOLT M6×16 | PCS | 2 |
| 13 | | 3230351 | GB/T 2823, 不锈钢 | SCREW ST4.2×12 | PCS | 1 |

21 WIRELESS & ELECTRIC EQUIPMENT



| No. | Part No. | Description | Description | Unit | Qty | Remark |
|-----|----------------|-----------------------------|----------------------|------|-----|--------|
| 1 | N-31100-1 | LJ50QT-N, 电控 | WIRE HARNESS ASSY. | PCS | 1 | |
| 2 | N-31100-2 | LJ50QT-N, 电控 | WIRE HARNESS ASSY.2 | PCS | 1 | |
| 3 | YTX7A-BS | 汤浅,YTX7A-BS,免维护 | BATTERY ASSY.12V,7AH | PCS | 1 | |
| | | 海久,HTX7A-BS,免维护 | BATTERY ASSY.12V,7AH | PCS | 1 | |
| 4 | 2170008 | LJ50QT-V,德洛托,电控化油器 | ECU | PCS | 1 | |
| 5 | 7B1-35300-0000 | 7B1,50四冲水冷,7B1-35300-0000 P | STARTER RELAY COMP. | PCS | 1 | |
| 6 | 12503 | LJ50QT-V,德洛托 | SOLENOIDVALVE | PCS | 2 | |
| 7 | N-32800-0 | 0.7W+0.8W+0W,双频,三线 | FLASHER | PCS | 1 | |
| 8 | N-36100-0 | 3B3,四冲50风冷,8极,全波,开关式,电控 | REGULATOR COMP. | PCS | 1 | |
| 9 | | 3B1,电控化油器 | IGNITION COIL ASSY. | PCS | 1 | |
| 10 | TJ7F2909 | LJ50QT-K,B88,齐科,E4-000113 | HORN(E4) | PCS | 1 | |
| 11 | | E,GB/T 6177.1,8级,军绿 | NUT, M6 | PCS | 2 | |
| 12 | | 4415001 | BAND 250mm | PCS | 10 | |
| 13 | | 3230061 | BOLT M6×12 | PCS | 3 | |
| 14 | | 3230081 | BOLT M6×20 | PCS | 2 | |
| 15 | N-3383001-0 | LJ125T-5,标骑 | Headlight controller | PCS | 1 | |
| 16 | | E,GB/T 5789,8.8级,军绿 | BOLT M6×25 | PCS | 2 | |
| 17 | 3158055 | LJ50QT-V,非加热式,德洛托 | O2 SENSOR | PCS | 1 | |