



Leone Swan 2011 Spare Parts Catalog

Euro-2



Swan 30 km- 2011

www.keeway.dk

2011.6

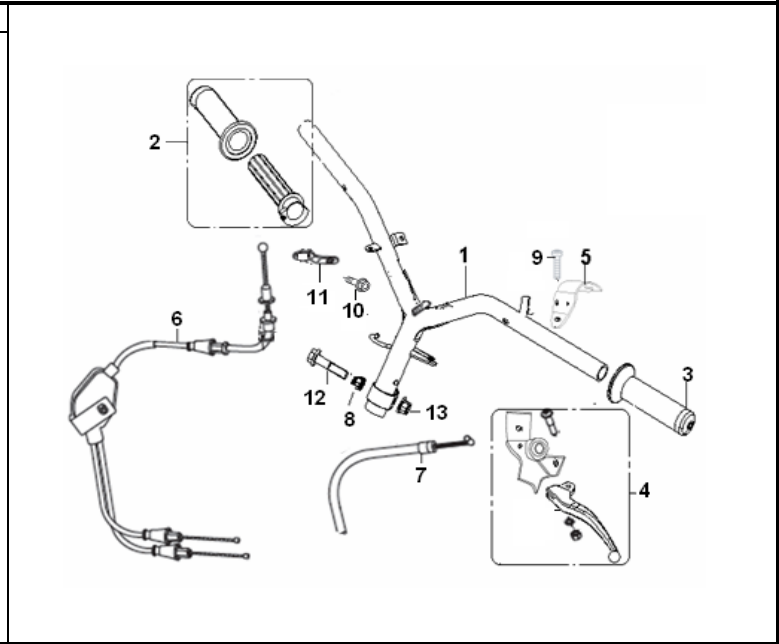
LEONE

CARL ANDERSEN MOTORCYKLER A/S
Niels Bohrs Vej 15, Stilling
Postboks 680
DK-8660 Skanderborg

Telefon. 8694 6177
Telefax. 8694 4447
www.ca-mc.dk
e-mail: ordre@ca-mc.dk

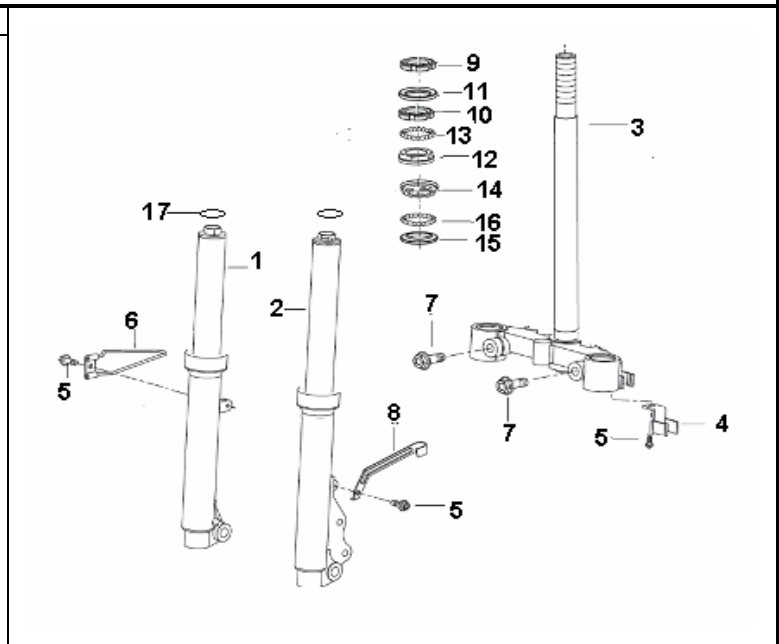
CONTROL ASSY.

NO.	PART NO.	DESCRIPTION	QTY
1	40100B570000	HANDLE COMP.	1
2	40210T180000	GRIP ASSY. R	1
3	40001T180000	L. GRIP	1
4	40080B290000	LEFT LEVER ASSY	1
5	65354B160000	BRACKET,HANDLE UPPER	1
6	40300B570000	CONTROL CABLE ASSY	1
7	40270B570000	BRAKE CABLE ASSY	1
8	40031T030000	CONNECT, HANDLE &	1
9	B02000602025	SCREW 6×20	1
10	B01090601265	BOLT 6X12MM	1
11	40320G360000	CONTROL CABLE	1
12	B01591005065	BOLT10×1.25×50	1
13	B04171012555	NUT10×1.25	1



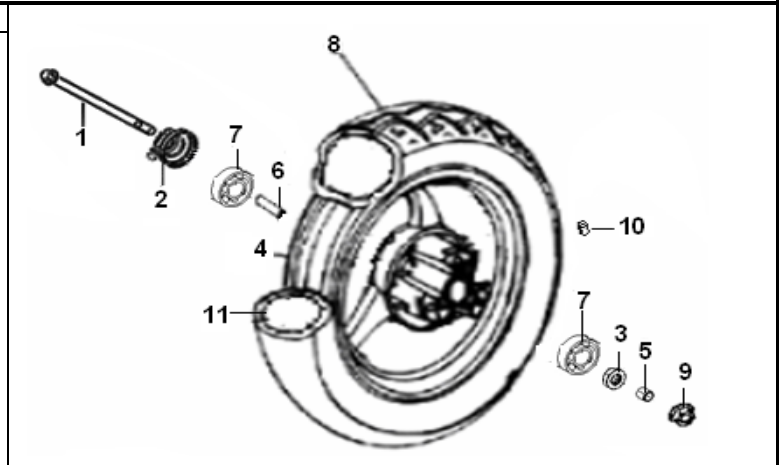
FRONT FORK ASSY.

NO.	PART NO.	DESCRIPTION	QTY
1	43200B030000	FR.L. FORK ASSY.SILVER	1
2	43300B030000	FR.R. FORK ASSY.SILVER	1
3	43100B570000	STEM, STEERING	1
4	45044B920000	NUT	2
5	B01090601265	BOLT 6X12MM	3
6	43150B310000	BALL RACE, CONNECTING	1
7	B01591003065	BOLT M10X1.25X30	2
8	43021B920000	BALL RACE	1
9	08052T020000	NUT	1
10	08051B040000	NUT	1
11	96800B030001	SAFETY PIECE	1
12	43001B040000	RACE, STEERING	1
13	B06010110000	STEEL BALL 3.969MM	25
14	43002B040000	OUTER RACE UPPER BEARING	1
15	43003B040000	OUTER RACE LOWER BEARING	1
16	B06010140000	STEEL BALL 4.763MM	21
17	43215B310000	CLIP	2



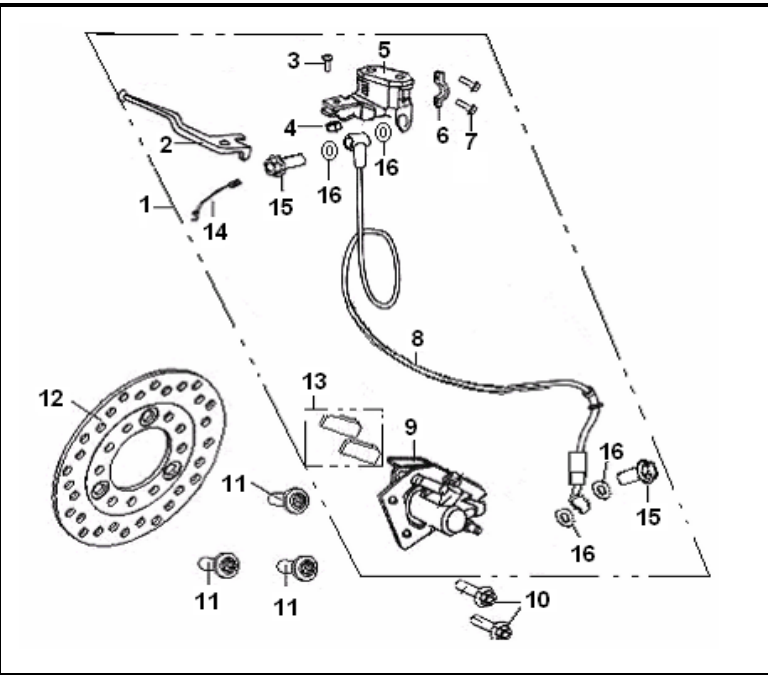
FRONT WHEEL ASSY.

NO.	PART NO.	DESCRIPTION	QTY
1	44004B020000	AXLE, FRONT WHEEL	1
2	44200B140001	SEAT ASSY., GEAR WHEEL,	1
3	54640B140000	OIL SEAL	1
4	44101B030010	WHEEL HUB, FRONT, BLACK	1
5	44005B030000	SPACER	1
6	44601B030010	INNER SPACER	1
7	B12016020000	BEARING	2
8	B1402350100A	TUBE	1
9	B04171012554	NUT 10X1.25MM	1
10	B1404Z1052C0	CAP, VALVE	1
11	B14113501050	TIRE	1



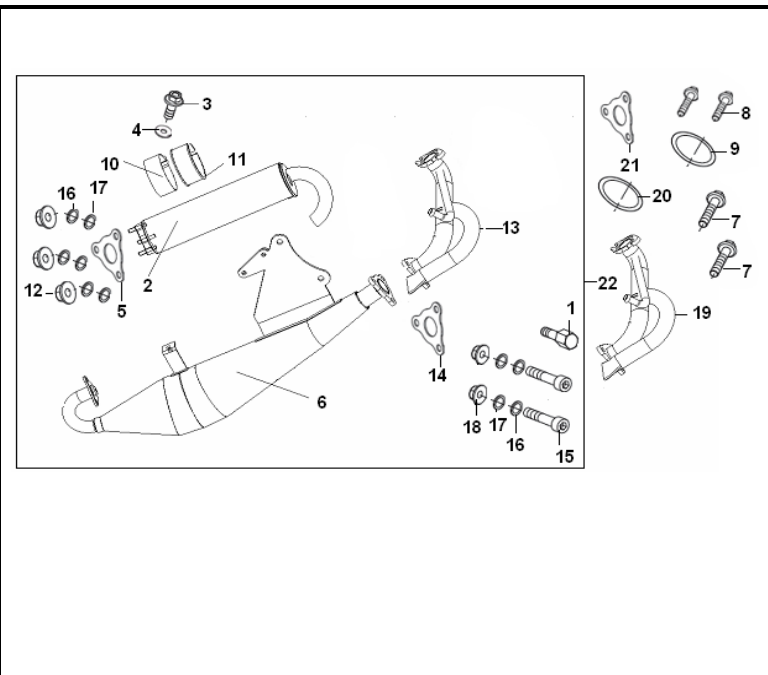
DISC BRAKE ASSY. I

NO.	PART NO.	DESCRIPTION	QTY
1	45900B570000	DISK BRAKE ASSY.	1
2	45022T030000	DISC BRAKE LEVER	1
3	45024T400000	LEVER MOUNTING SCREW M6	1
4	B04160600065	NUT M6	1
5	45400B92B300	CYLINDER COMP. (BLACK)	1
6	45023T010000	MASTER CYLINDER BRACKET	1
7	08012B920000	BOLT	2
8	45200B400000	BRAKE HOSE ASSY.	1
9	45500B030002	CALIPER ASSY. (BLACK)	1
10	45039T100000	BOLT	2
11	08001B030020	BOLT	3
12	45033B030000	BRAKE DISC	1
13	54200B000000	BRAKE PAD KIT ASSY	1 set
14	45300T030000	STOP SWITCH ASSY.	1
15	45651B920000	FLANGE BOLT	2
16	45653B030000	WASHER	4



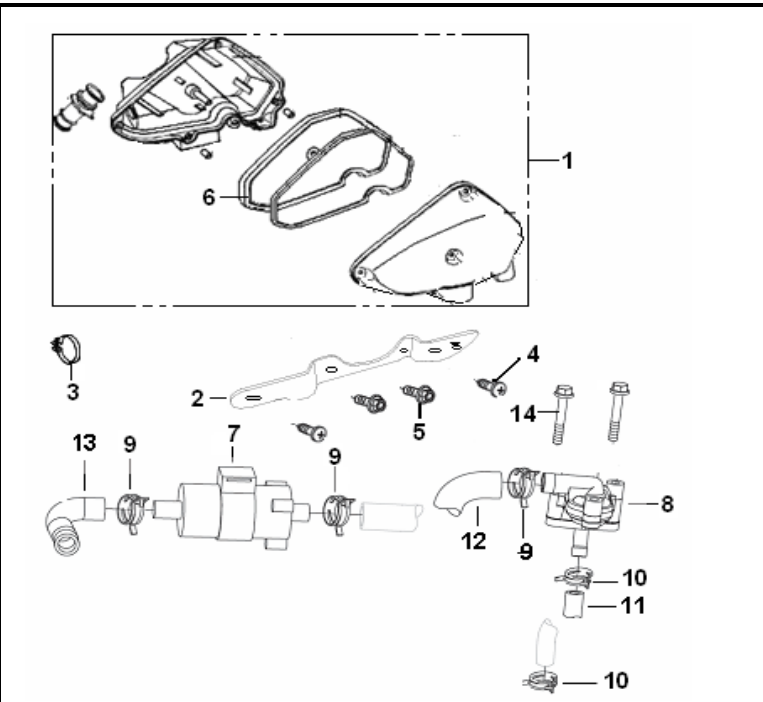
MUFFLER ASSY.

NO.	PART NO.	DESCRIPTION	QTY
1	08013B920010	BOLT	1
2	48300B910000	MUFFLER ASSY.	1
3	B01090602065	6X25MM	1
4	B07000000605	WASHER	1
5	47490B920000	CUSHION	1
6	47200B570001	MUFFLER ASSY.	1
7	B01090803065	BOLT 8X30MM	2
8	B0109060166L	BOLT 6X16MM	2
9	47035B910000	GASKET, EXHAUST PIPE	1
10	02135B920000	ADIABATIC RUBBER	1
11	48831B140005	MUFFLER HOOP	2
12	47006J010000	NUT	3
13	47500B570011	EXHAUST PIPE COMP	1
14	47491B920002	CUSHION	1
15	B02050602564	BOLT 6X25MM	2
16	B07000000604	WASHER	5
17	B07030000604	WASHER 6	5
18	B04000600054	NUT 6	2
19	47500B570002	EXHAUST PIPE COMP	1
20	47035B910000	GASKET, EXHAUST PIPE	1
21	47491B920002	CUSHION	1
22	47100B57011Z	MUFFLER ASSY COMP	1



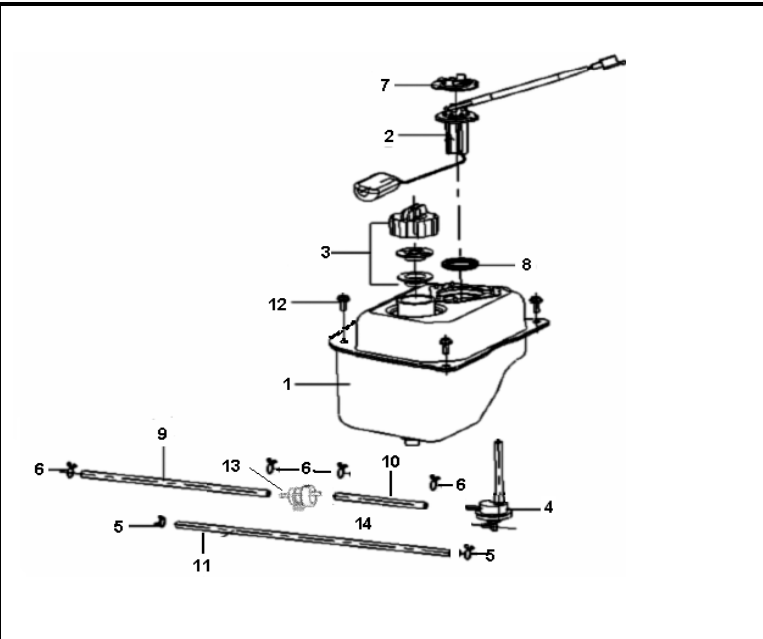
AIR CLEANER ASSY.

NO.	PART NO.	DESCRIPTION	QTY
1	49100B570000	AIR CLEANER	1
2	57910B070000	BRACKET,AIR CLEANER	1
3	49350B070000	CLIP	1
4	B02000501025	SCREW 5X10MM	2
5	B01090603065	BOLT 6X30MM	2
6	49200B570000	FILTER	1
7	49870B140000	AIR CLEANER,SMALL	1
8	110011070000	ONE WAY VALVE II	1
9	49804J000000	SPRING II,LOCK φ17.5	3
10	49855J000000	SPRING II,LOCK φ16.5	2
11	49852B570000	HOSE φ9.1×17×360	1
12	49851B570000	HOSE	1
13	49932B400000	HOSE II	1
14	B01090603565	BOLT 6X35MM	2



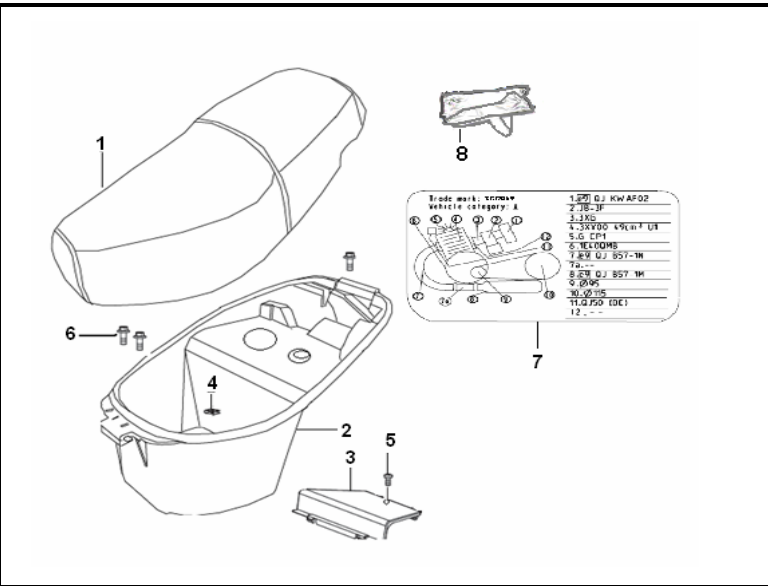
FUEL TANK ASSY.

NO.	PART NO.	DESCRIPTION	QTY
1	50100A010000	TANK, FUEL	1
2	50800A010000	SENSOR UNIT, FUEL TANK	1
3	50200T160000	CAP, FUEL TANK	1
4	50320T030000	CLOCKASSY.,FULE TANK	1
5	B17010075003	CLIP I	2
6	B17010080003	CLIP II	4
7	50003G120000	PLATE, SENSOR UNIT	1
8	50004T030000	GASKET	1
9	B16010C21001	HOSE I, FUEL φ4.5×2×100	1
10	50301T480000	HOSE I, FUEL φ4.5×2×45	1
11	B16010422051	HOSE I, FUEL φ4×2×205	1
12	B01090601665	SCREW M6X16MM	4
13	50340T020000	FUEL FILTER ASSY.	1
14	50391T020000	GASKET	1



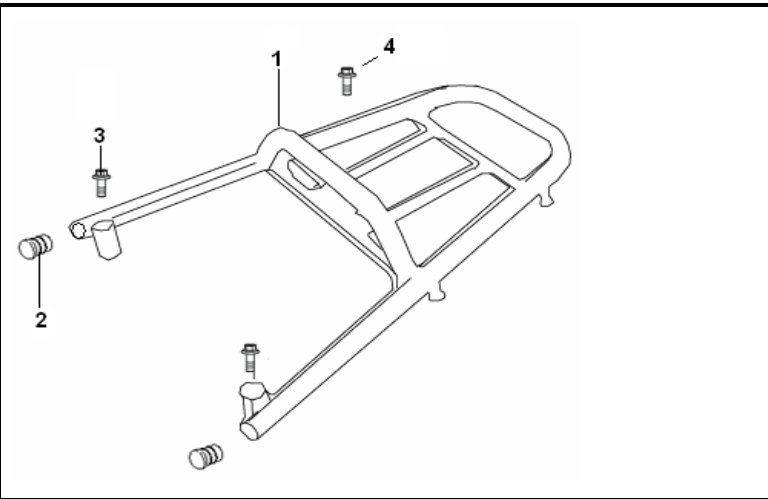
SEAT ASSY.

NO.	PART NO.	DESCRIPTION	QTY
1	51100B570002	SEAT COMP.	1
2	51004B570000	HELMET BOX	1
3	51005A010000	COVER , LUGGAGE BOX	1
4	65801T020000	SPRING NUT	1
5	B05074201305	SCREW4.2X13MM	1
6	B01090601665	BOLT M6X16	3
7	57002B570000	ANTI-TAMPERING PLATE	1
7	57002B570001	ANTI-TAMPERING PLATE	1
8	A03070000022	BAG,SEAT	1



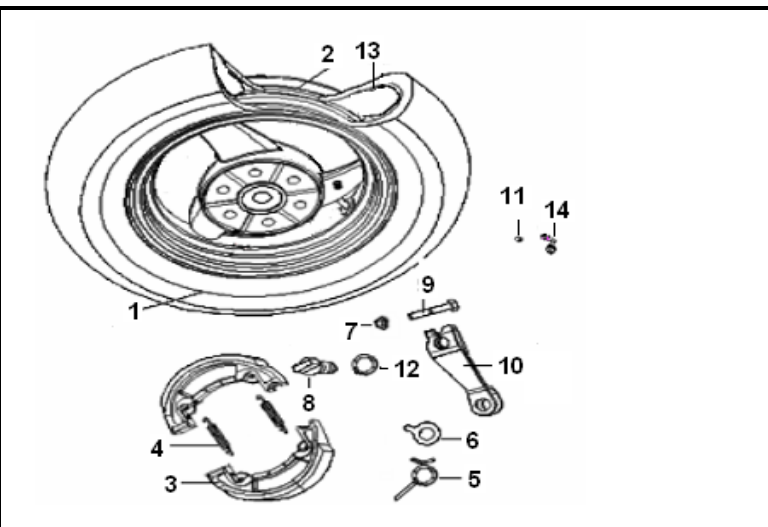
CARRIER ASSY.

NO.	PART NO.	DESCRIPTION	QTY
1	52100A010000	REAR CARRIER	1
2	52001T030000	BLOCK	2
3	B02050602565	BOLT M6×25MM	2
4	B01090601665	BOLT M6×16MM	1



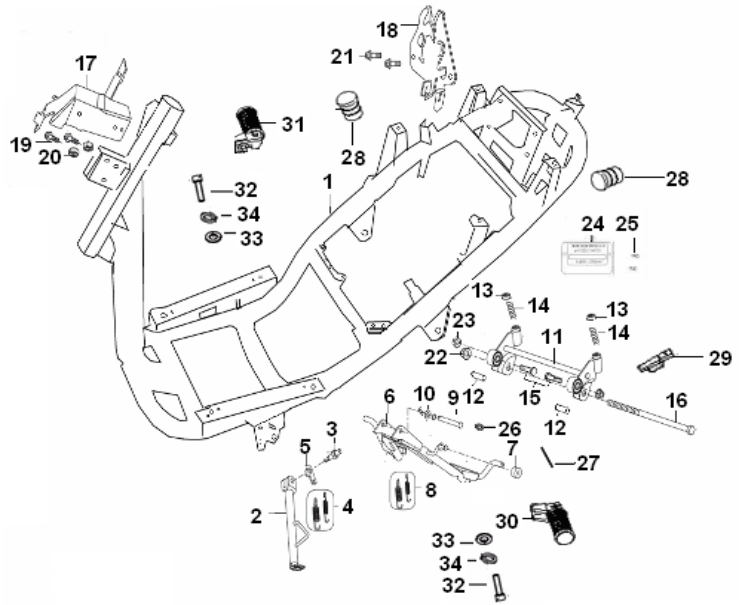
REAR WHEEL ASSY.

NO.	PART NO.	DESCRIPTION	QTY
1	B14113501050	TIRE	1
2	54101B030010	RIM ASSY., REAR	1
3	54200B040000	SHOE ASSY., REAR BRAKE	2
4	52815B290000	SPRING, BRAKE SHOE	2
5	54008B030000	RETURN SPRING	1
6	44002B070000	REAR INDICATOR	1
7	B04171415055	NUT 14X1.5MM	1
8	54003B000000	CAMSHAFT, REAR BRAKE	1
9	B01010603024	BOLT 6X30MM	1
10	54007E130000	ROCKER, REAR BREAK	1
11	B1404Z1052C0	CAP , VALVE	1
12	44022B070000	O RING	1
13	B1402350100A	TUBE	1
14	B1403Z201120	VALVE	1



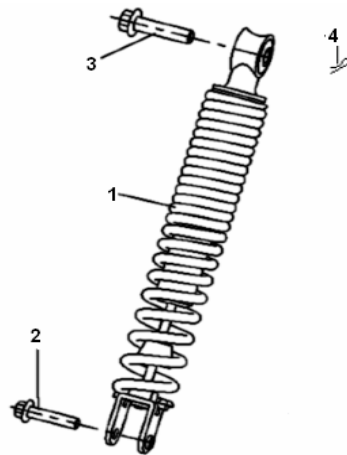
FRAME ASSY.

NO.	PART NO.	DESCRIPTION	QTY
1	57100B570002	FRAME COMP.	1
2	58700B570000	SIDE STAND ASSY	1
3	57005J130000	FIXING BOLT , SIDE STAND	1
4	57010B910001	SPRING ASSY, SIDE STAND	1
4A	57003T030000	SPRING SIDE STAND	1
5	57006B910000	HOOK SPRING	1
6	58520B570000	MAIN STAND ASSY.	1
7	58507B910000	CUSHION, MAIN STAND	1
8	58502B410000	SPRING , MAIN STAND	1
9	58501B410000	SHAFT, MAIN STAND	1
10	58508B070000	WASHER	1
11	58320B070000	E/G BRKT COMP.	1
12	40028B040000	BUSH	2
13	57014B070000	DAMPER	2
14	58034B920000	SPRING	2
15	08016B130000	BOLT	2
16	08012B000000	BOLT M12×1.25×250	1
17	57590A010000	REGULATOR COMP.FIXING	1
18	58800A010000	SEAT CATCH COMP.	1
19	B01090603065	BOLT 6X30MM	2
20	B04070600055	NUT 6	2
21	B01090601265	BOLT M6X12	2
22	B04171212553	NUT M12×1.25	1
23	B04171012553	NUT M10×1.25	2
24	57001B570004	FRAME SCUTCHEON	1
25	B100432007P0	RIVET 3.2X7	2
26	B07030001005	WASHER	1
27	08382B000000	SPLIT PIN	1
28	52001T030000	BLOCK	2
29	55038B070000	CLIP , BRAKE CABLE	1
30	58260J000035	Rear Pedal , LH	1
31	58280J000035	Rear Pedal , RH	1
32	B02051002264	Screw M10×22	2
33	B07030001004	Washer 10	2
34	B07000001004	Washer 10	2



REAR SHOCK ABSORBER ASSY.

NO.	PART NO.	DESCRIPTION	QTY
1	63800B030001	ABSORBER ASSY.	1
2	08002T020000	BOLT 8X31MM	1
3	B01141004063	BOLT 10X1.25X 40MM	1
4	08382B000000	COTTER PIN	1



OIL TANK ASSY.

NO.	PART NO.	DESCRIPTION	QTY
1	64100B570000	SENSOR, OIL TANK	1
2	64001B570000	OIL TANK	1
3	64091B570000	CAP, OIL TANK	1
4	B01090601265	BOLT M6X12MM	1
5	64012B450000	CUSHION	1

FRONT FENDER ASSY.

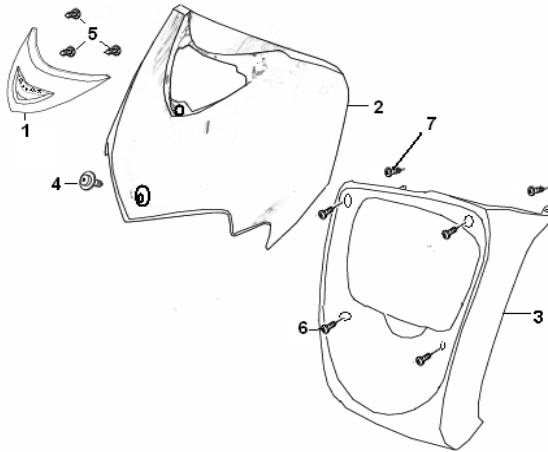
NO.	PART NO.	DESCRIPTION	QTY
1	65101B40003Z	FRONT FENDER, BLACK BH with sticker	1
1	65101B40004Z	FRONT FENDER, SILVER CJ with sticker	1
2	43180B570000	BRACKET ASSY, FRONT FENDER	1
3	B01090601265	BOLT M6x12MM	3
4	B01090601665	BOLT M6x16MM	3

HANDLE COVER ASSY.

NO.	PART NO.	DESCRIPTION	QTY
1	65203A010000	METER VISION ASSY.	1
2	65201B57BH00	HANDLE COVER, BLACK BH	1
2	65201B57001Z	HANDLE COVER, BLACK BH with sticker in red	1
3	65202B570000	HANDLE COVER,	1
4	40480B570000	REAR VIEW MIRROR ASSY., R(E-)	1
5	40450B570000	REAR VIEW MIRROR ASSY., L(E-)	1
6	B02000503525	SCREW 5X35MM	1
7	B05074201605	SCREW 4.2X16MM	2
8	B05074201305	SCREW 4.2X13MM	2
9	B13040401202	SCREW 4X12MM	2
10	B07030000505	WASHER 5	1
11	65801T020000	SPRING NUT	2

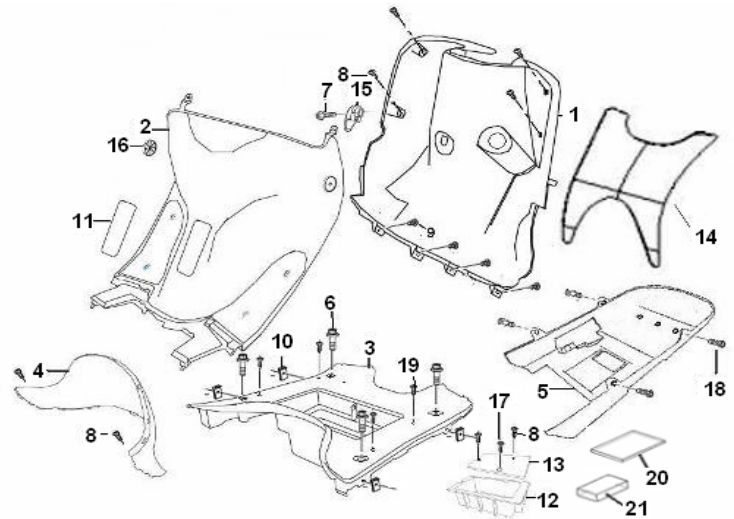
FRONT COVER ASSY.

NO.	PART NO.	DESCRIPTION	QTY
1	65303A010000	DECORATE PLATE,FRONT	1
2	65301A01007Z	FACEPLATE, BLACK BH with sticker in red	1
2	65301A01010Z	FACEPLATE, BLACK BH with sticker in silver	1
3	65302A01003Z	INNER FENDER,BLACK BH with sticker	1
3	65302A01004Z	INNER FENDER,SILVER CJ with sticker	1
4	B02060601224	SCREW 6X12MM	1
5	B05074001205	SCREW 4.0X16MM	3
6	B05073501305	SCREW 3.5X13MM	4
7	B05074201605	SCREW 4.2X16MM	2



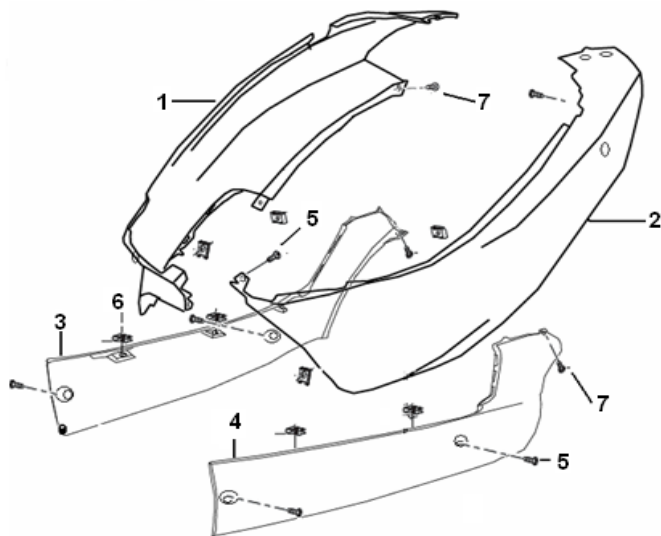
LEG SHIELD ASSY.

NO.	PART NO.	DESCRIPTION	QTY
1	65422A010000	FR. COVER ,TOOL BOX	1
2	65402A010000	LEG SHIELD	1
3	65405A010000	FLOOR, BLACK	1
4	65605A010000	JOIN BOARD	1
5	65406A010000	FENDER	1
6	B01090605065	BOLT	4
7	B01090601665	BOLT	1
8	B05074201605	SCREW	9
9	B05074801605	SCREW	4
10	65801T020000	SPRING NUT	4
11	65403A010000	INSPECT COVER	1
12	65421A010000	BOX.BATTERY	1
13	65411A010000	BATTERY COVER	1
14	65415A010000	FOOT PLATE	1
15	03311A010000	HOOK, HELMET	1
16	86300J000002	FRONT REFLECTOR	2
17	B05074201605	SCREW 4.2X16MM	3
18	B01090601265	BOLT M6X12MM	4
19	B05074201305	SCREW 4.2X13MM	4
20	65811BMBT000	BATTERY DAMPER I	1
21	65811B50T000	BATTERY DAMPER	1



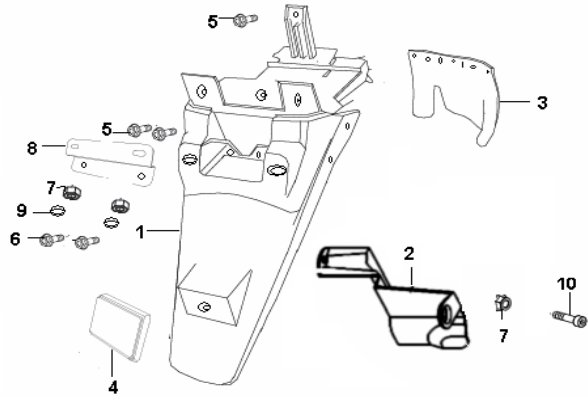
SIDE COVER ASSY.

NO.	PART NO.	DESCRIPTION	QTY
1	65601A01013Z	SIDE COVER LH,BLACK BH with sticker	1
1	65601A01014Z	SIDE COVER LH,SILVER CJ with sticker	1
2	65602A01013Z	SIDE COVER LH,BLACK BH with sticker	1
2	65602A01014Z	SIDE COVER LH, SILVER CJ with sticker	1
3	65408B57010Z	COVER LH, BLACK BH with sticker in RED	1
3	65408B57010Z	COVER LH, BLACK BH with sticker in silver	1
4	65409B57011Z	COVER RH, BLACK BH with sticker	1
4	65409B57010Z	COVER RH, BLACK BH with sticker in silver	1
5	B05074201305	SCREW 4.2X13MM	5
6	65801T020000	SPRING NUT	8
7	B05074801605	SCREW 4.8X16MM	4



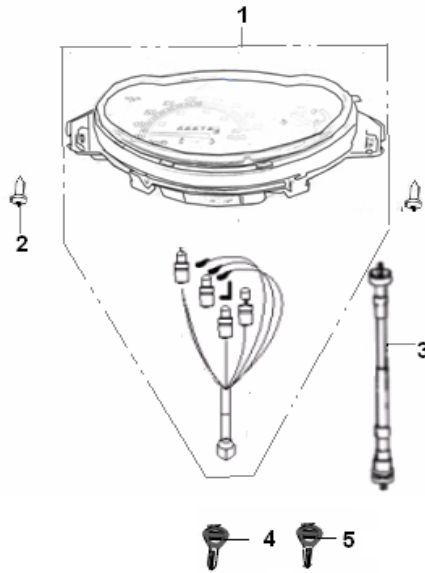
REAR FENDER ASSY.

NO.	PART NO.	DESCRIPTION	QTY
1	65701B570000	REAR FENDER	1
2	65702E040000	TAIL , REAR FENDER	1
3	65703A010000	RUBBER,REAR FENDER	1
4	86500J000001	REAR REFLECTOR	1
5	B01090601665	BOLT M6X16	3
6	B01090601265	BOLT M6×1 2	2
7	B04000600055	NUT	3
8	08252B100000	BRACKET,LICENSE PLATE	1
9	B07020000605	WASHER	2
10	B01070602564	BOLT M6X 2 5	1



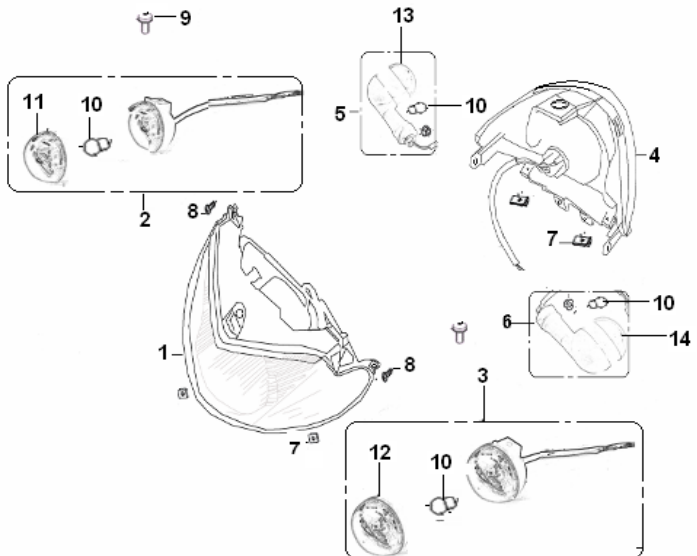
SPEEDOMETER ASSY.

NO.	PART NO.	DESCRIPTION	QTY
1	70000B570003	SPEEDOMETER ASSY	1
2	B05074201605	SCREW 4.2X16MM	2
3	72900B570000	SPEEDOMETER CABLE COMP.	1
4	88900A01000X	KEY NUT (LEFT)	1
5	88900A01001X	KEY NUT(RIGHT)	1



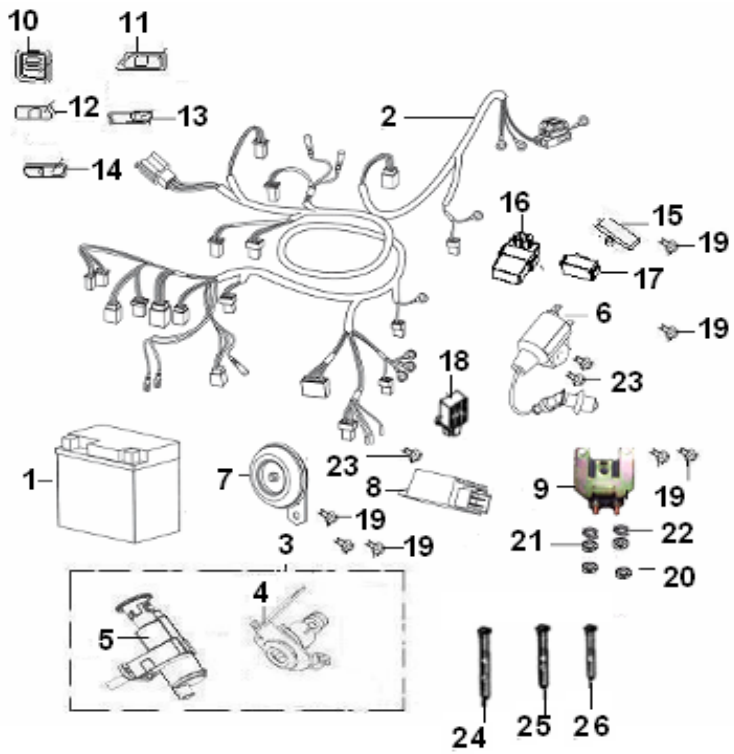
LIGHT ASSY.

NO.	PART NO.	DESCRIPTION	QTY
1	80000B100001	HEAD LIGHT ASSY	1
2	81100B100000	FLASHER LIGHT ASSY.,FR.LH.	1
3	81300B100000	FLASHER LIGHT ASSY.,FR.RH.	1
4	82000B100001	TAIL LIGHT	1
5	81500B100000	REAR L.H. TURN INDICATOR	1
6	81700B100000	REAR R.H. TURN INDICATOR	1
7	65801T020000	SPRING NUT	2
8	B05074201605	SCREW 4.2X16MM	4
9	B13140501605	BOLT M5X16	2
10	B240121200F0	BULB 12V,10W	4
11	81102B100000	LENS, TURN SIGNAL, FR., L	1
12	81302B100000	LENS, TURN SIGNAL, FR., R.	1
13	81502B100000	LENS, TURN SIGNAL, RR., L	1
14	81702B100000	LENS, TURN SIGNAL, RR., R.	1



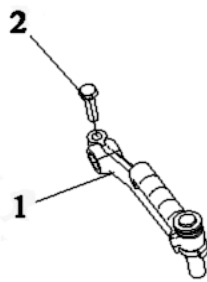
ELECTRICAL EQUIPMENT ASSY.

NO.	PART NO.	DESCRIPTION	QTY
1	96010B070010	YB4L-B BATTERY	1
1	96100B030010	YTX4L-BS battery	1
2	92000B570000	HARNASS, WIRING	1
3	88000A010000	LOCK COMP.	1
4	88800A010000	SEAT LOCK	1
5	88100A010000	LOCK ASSY. STEERING	1
6	96200B310000	COIL ASSY.,IGNITION	1
7	95100B130010	HORN ASSY.	1
8	299051040080	RECTIFIER	1
9	94100J000002	RELAY ASSY.,STARTER	1
10	91130B57000	SWITCH,CHANGING LIGHT	1
11	91120B57000	SWITCH,TURNING	1
12	91110B57000	SWITCH,HORN	1
13	91100B57000	GENERAL SWITCH,LIGHTING	1
14	91140B57000	SWITCH,STARTER	1
15	96600B310000	RUBBER COVER	1
16	299051070001	C.D.I	1
17	96007J040000	CUSHION. C.D.I	1
18	97900N050001	TEMPERATURE CONTROL	1
19	B01090601265	BOLT 6X12MM	7
20	B07030000603	WASHER	2
21	B07000000603	WASHER 6	2
22	B04000600053	NUT 6	2
23	B01090601665	BOLT 6X16MM	3
24	96004J000000	BAND 300MM	2
25	96003J000000	BAND 250MM	6
26	96001J000000	BAND 150MM	2



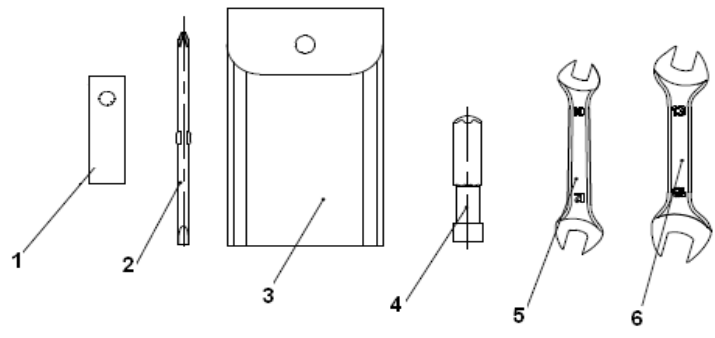
ENGINE ATTACHMENT

NO.	PART NO.	DESCRIPTION	QTY
1	08350B070070	LEVER, KICK STARTER	1
2	B01070602565	BOLT 6X25MM	1



TOOL KIT ASSY.

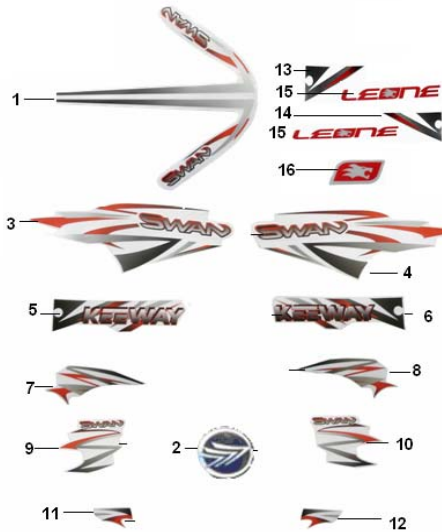
NO.	PART NO.	DESCRIPTION	QTY
1	02102G010000	SPARK PLUG SOCKET HANDLE	1
2	02103J000000	DRIVER, DOUBLE-ENDED	1
3	02110J000000	BAG, TOOL KIT	1
4	02160J000000	LEVER ASSY	1
5	B20011001203	WRENCH, DOUBLE-ENDED	1
6	B20011301603	WRENCH, DOUBLE-ENDED	1



LEONE

STICKER

NO.	PART NO.	DESCRIPTION	QTY
1	05501B57BH00	STICKER,FRONT FENDER LH	1
2	05502B57BH00	STICKER,FRONT FENDER RH	1
1	05508B57BH00	STICKER,FRONT FENDER	1
2	05525B92B410	STICKER	1
3	05511B57BH00	STICKER,SIDE COVER LEFT	1
4	05512B57BH00	STICKER,SIDE COVER RIGHT	1
5	05513B57BH00	STICKER,COVER LH	1
6	05514B57BH00	STICKER,COVER RH	1
7	05503B57BH00	STICKER,INNER FENDER UPER	1
8	05504B57BH00	STICKER,INNER FENDER UPER	1
9	05521B57BH00	STICKER,FRONT FENDER LEFT	1
10	05522B57BH00	STICKER,FRONT FENDER	1
11	05505B57BH00	STICKER,INNER FENDER	1
12	05506B57BH00	STICKER,INNER FENDER	1
13	05513B57BH02	STICKER,COVER LH	1
14	05514B57BH02	STICKER,COVER RH	1
15	05515B57BH02	LEONE	2
16	05501B57BH02	STICKER,HANDLE COVER	1



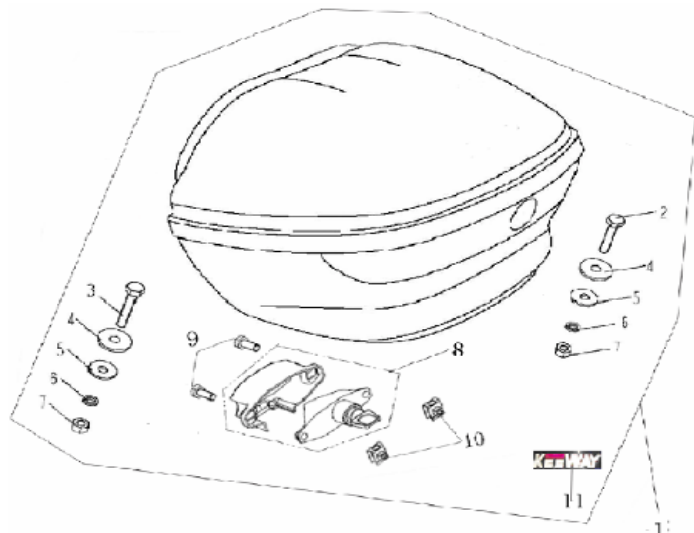
STICKER

NO.	PART NO.	DESCRIPTION	QTY
1	05508B57CJ00	STICKER,FRONT FENDER	1
2	05530J210001	STICKER	1
3	05511B57CJ00	STICKER,SIDE COVER LEFT	1
4	05512B57CJ00	STICKER,SIDE COVER RIGHT	1
5	05513B57CJ00	STICKER,COVER LH	1
6	05514B57CJ00	STICKER,COVER RH	1
7	05503B57CJ00	STICKER,INNER FENDER UPER	1
8	05504B57CJ00	STICKER,INNER FENDER UPER	1
9	05521B57CJ00	STICKER,FRONT FENDER LEFT	1
10	05522B57CJ00	STICKER,FRONT FENDER	1
11	05505B57CJ00	STICKER,INNER FENDER	1
12	05506B57CJ00	STICKER,INNER FENDER	1
13	05513B57W102	STICKER,COVER LH	1
14	05514B57W102	STICKER,COVER RH	1
15	05515B57W102	LEONE	2
16	05501B57W102	STICKER,HANDLE COVER	1



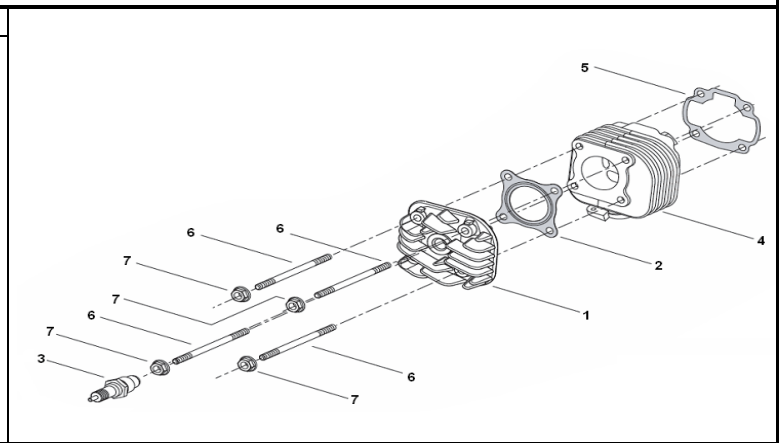
BACK BOX ASSY

NO.	PART NO.	DESCRIPTION	QTY
1	52200B92R800	BACK BOX , RED R8	1
1	52200B92W100	BACK BOX , WHITE W1	1
1	52200B92BH00	BACK BOX , BLACK	1
1	52200B92CJ00	BACK BOX , SILVER CJ	1
1	52200B92E600	BACK BOX , BLUE E6	1
2	B01010603033	BOLT 6×30MM	2
3	B01010603533	BOLT 6×35MM	2
4	52221B920000	WASHER	4
5	B07020000603	WASHER 6	4
6	B07000000603	WASHER 6	4
7	B04000600043	NUT M6	4
8	88600B920000	BACK BOX LOCK	1
9	B01070601663	SCREW 6×16MM	2
10	52910B920000	NUT , CLIPPING 6MM	2
11	05591B920000	BACK BOX COVER	1



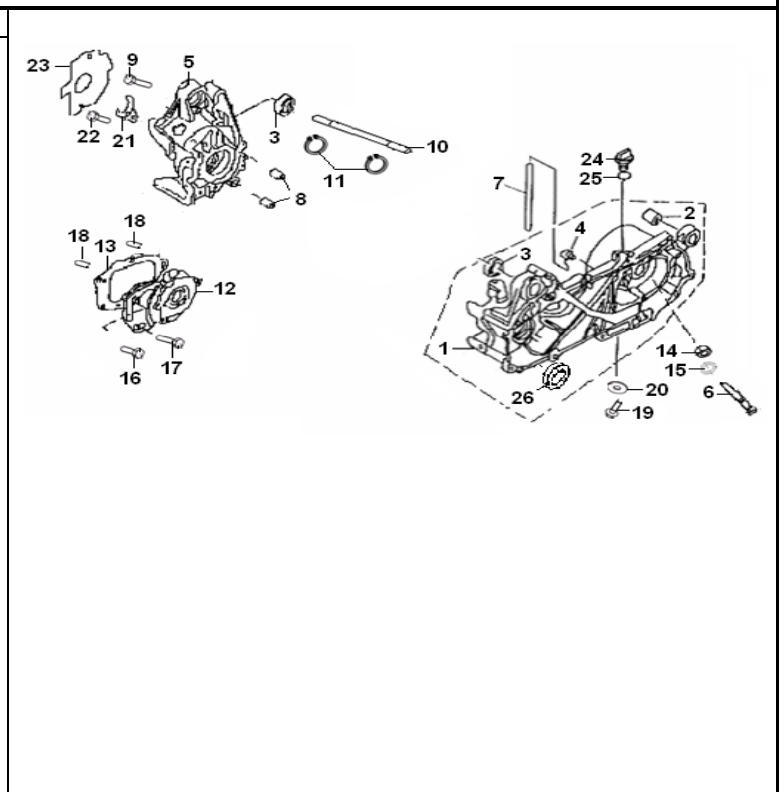
CYLINDER HEAD ASSY

NO.	PART NO.	EN DESCRIPTION	QTY
1	30701B01F000	HEAD , CYLINDER	1
2	30507B01F000	GASKET , CYLINDER HEAD	1
3	201204.013000	SPARK PLUG	1
4	27101B01F00A	CYLINDER	1
5	204204.001000	GASKET , CYLINDER	1
6	26107B01F910	STUD BOLT	4
7	304290700062	NUT	4



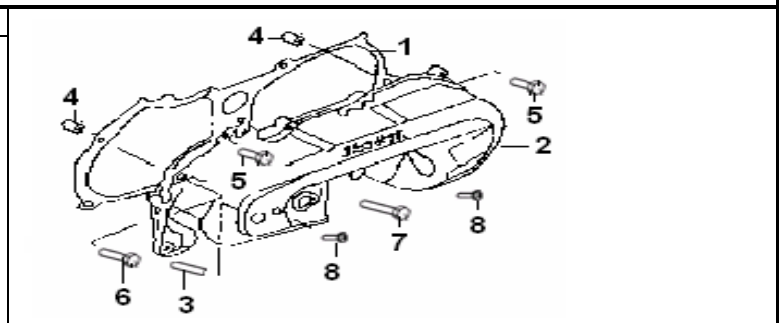
CRANKCASE ASSY

NO.	PART NO.	EN DESCRIPTION	QTY
1	26100B01F00D	CRANKCASE , LH	1
2	26108G02F000	BUSH,ENGINE MOUNTING	1
3	B12046600300	BEARING	2
4	26126G02F000	BREATHER PLUG	1
5	26200B01F000	CRANKCASE , RH	1
6	26142G02F000	BRAKE SHOE ANCHOR PIN ASS	1
7	26105G02F000	HOSE	1
8	26123G02F000	DOWEL PIN 12X16	2
9	301310603565	SCREW M6X35	6
10	26109B01F000	AXLE,engine mount	1
11	B08010001700	CIRCLIP	2
12	18101G02F001	COVER, GEAR BOX	1
13	214201.001000	GASKET , GEAR BOX	1
14	B04070812553	NUT	1
15	14222J01F000	O RING	1
16	B01070603063	SCREW M6X30	2
17	B01070602263	SCREW M6X22	3
18	26208J01F000	DOWEL PIN 10X14	2
19	301310801603	FLANGE BOLT	1
20	18105H03F000	WASHER	1
21	26214G02F000	HOLDER	1
22	B01070601264	SCREW M6X12	1
23	206321.001000	GASKET	1
24	206407.004083	OIL PLUG	1
25	26102G02F000	O-RING	1
26	26112G02F000	SHAFT COLLAR	1



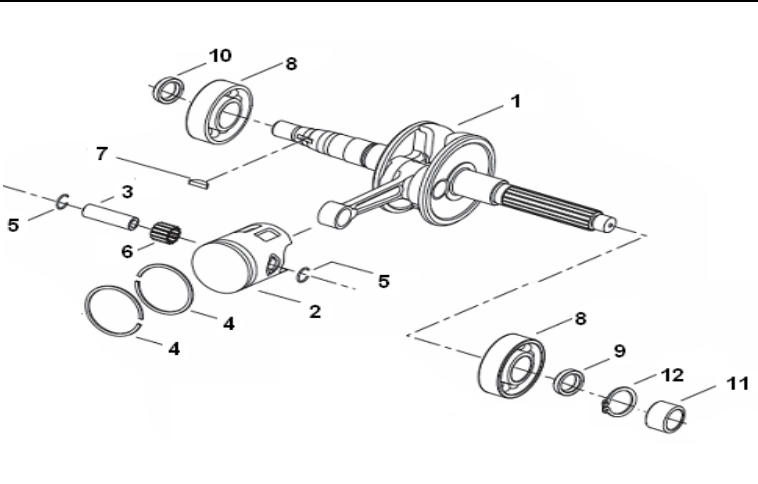
SIDECOVER ASSY

NO.	PART NO.	EN DESCRIPTION	QTY
1	207208.009000	GASKET , SIDE COVER	1
2	169022080030	SIDE COVER	1
3	26128G02F000	SHAFT	1
4	26208J01F000	DOWEL PIN	2
5	301310602565	SCREW M6X25	8
6	301310603565	SCREW	2
7	301310606565	PAN HEAD SCREW	1
8	302460601265	STOPPER	1



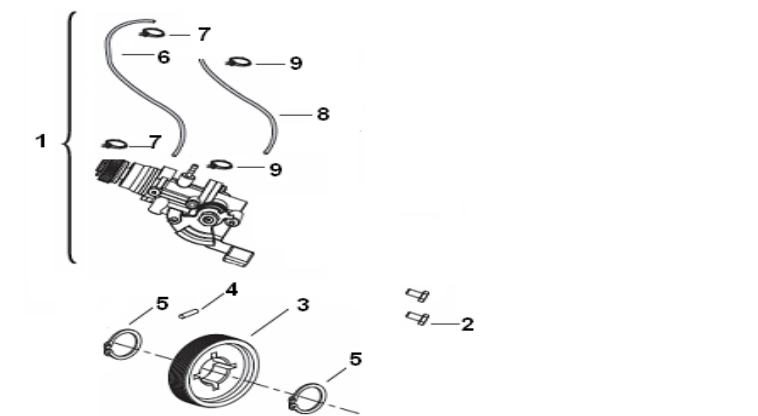
PISTON CRANKSHAFT CONNECTING ROD ASSY

NO.	PART NO.	EN DESCRIPTION	QTY
1	208100.022000	CRANKSHAFT , ASSY	1
2	15100B01F00B	PISTON ASSY	1
3	15105B16F000	PISTON PIN	1
4	15103B01F000	PISTON RING	2
5	15111G02F000	CIRCLIP	2
6	15110B16F000	NEEDLE BEARING	1
7	15101B01F000	WOODRUFF KEY	1
8	B12016620453	BALL BEARING	2
9	15213G02F000	OIL SEAL	1
10	26215G02F000	OIL SEAL ASSY	1
11	15214G02F000	COLLAR	1
12	17308G02F000	CIRCLIP	1



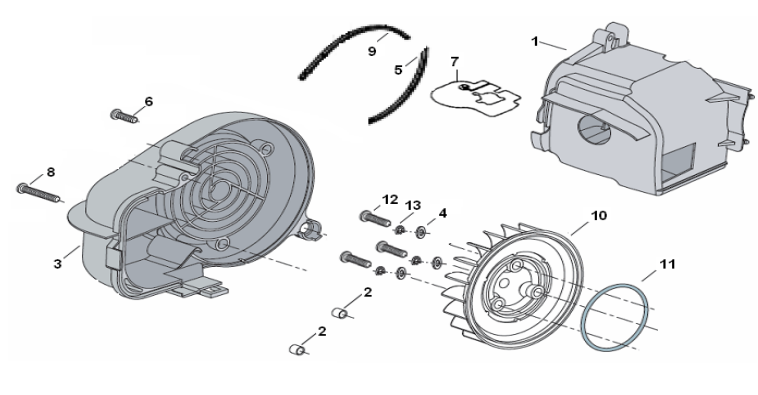
OIL PUMP ASSY

NO.	PART NO.	EN DESCRIPTION	QTY
1	219101.005000	OIL PUMP ASSY	1
2	B02000501463	SCREW	2
3	15211G02F000	PUMP DRIVE GEAR	1
4	B090103014C0	PIN	1
5	15106G02F910	CIRCLIP	2
6	260201070000	HOSE,OIL INLET	1
7	19213G02F00A	HOSE CLIP	2
8	221405.104000	HOSE,OIL OUTLET	1
9	19217G02F00A	HOSE CLIP	2



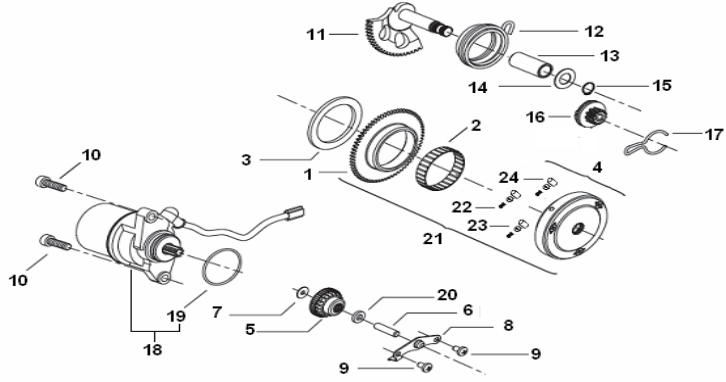
AIR COOLING SYSTEM

NO.	PART NO.	EN DESCRIPTION	QTY
1	20301B01F000	COWLING,cylinder	1
2	20303G02F000	GROMMET	2
3	20200B01F000	COVER ASSY (FAN)	1
4	B07030000600	WASHER φ6	3
5	20208G02F000	BEADING (RUBBER)	1
6	302270602063	BOLT M6X20	2
7	20102G02F000	DUST COVER (RUBBER)	1
8	3050355040F3	SCREW ST5.5X40-F	1
9	20206G02F000	BEADING (RUBBER)	1
10	20401B01F000	FAN ASSY	1
11	20402G02F000	RUBBER RING 70X3.1	1
12	301310601663	SCREW M6X16	3
13	B07000000600	SPRING WASHER φ6	3



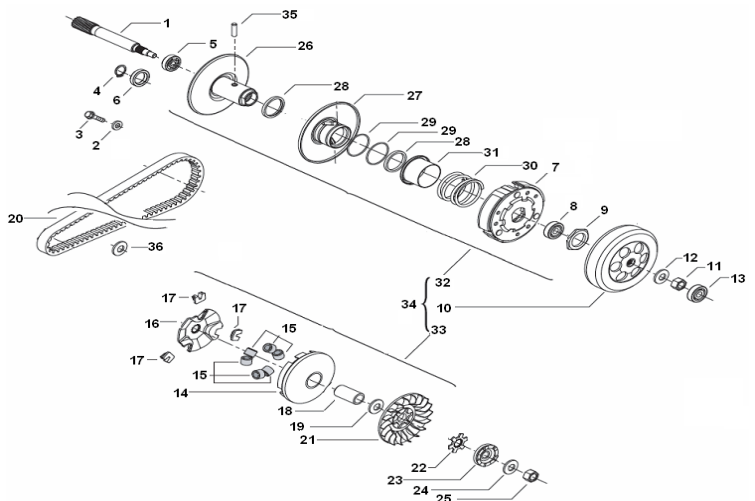
KICK STARTER ASSY

NO.	PART NO.	EN DESCRIPTION	QTY
1	34120G02F000	START GEAR ASSY	1
2	34121G02F000	NEEDLE BEARING	1
3	34123G02F000	THRUST WASHER	1
4	34110G02F00A	STARTER CLUTCH ASSY.COMP	1
5	34126G02F000	DRIVEN GEAR,STARTER	1
6	26128G02F000	IDLE GEAR SHAFT	1
7	34122G02F000	PLATE WASHER	1
8	34125G02F000	IDLE GEAR HOLDER	1
9	301310601062	SCREW	2
10	302040602065	SCREW	2
11	216100.004000	SHAFT, kick starter	1
12	17407G02F000	SPRING	1
13	216217.001000	BUSH	1
14	307991005552	WASHER ,kick starter	1
15	308090150003	CIRCLIP	1
16	17415G02F000	KICK PINION ASSY	1
17	17418G02F930	CLIP	1
18	218100.017472	STARTING MOTOR ASSY	1
19	B190102120B0	O-RING	1
20	34130G02F000	PLATE WASHER	1
21	217100.100000	START CLUTCH ASSY, COMP.	1
22	34404G02F00A	SPRING	3
23	34405G02F00A	CAP	3
24	34402G02F00A	ROLLER	3



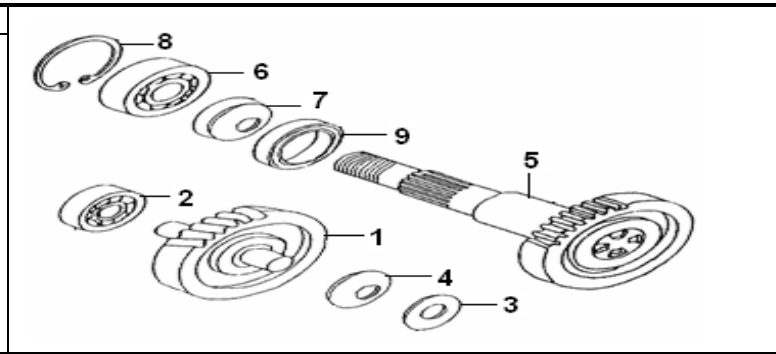
CLUTCH ASSY.

NO.	PART NO.	EN DESCRIPTION	QTY
1	220011160000	PRIMARY DRIVE SHAFT new	1
2	18114G02F000	PLATE WASHER	1
3	B01090801263	PAN HEAD SCREW	1
4	B08010001700	CIRCLIP	1
5	B12016600300	ROLING BEARING	1
6	24203G02F000	OIL SEAL	1
7	24301B01F000	CLUTCH ASSY,shoe	1
8	24245G02F000	BALL BEARING 6003	1
9	24303G02F000	NUT	1
10	24700G02F000	CLUTCH DRUM	1
11	24305G02F940	NUT	1
12	200492080000	RING φ5.5X1.5	2
13	24209G02F000	BEARING 8X28X8	1
14	24101G02F000	FACE, movable drive	1
15	213119.003000	ROLLER	6
16	24103G02F000	PLATE, movable drive	1
17	24104G02F000	DAMPER	3
18	24105G02F000	COLLAR	1
19	24106B01F000	WASHER	1
20	24107B01F000	V BELT , DRIVE	1
21	24108G02F000	FACE , FIXED DRIVE	1
22	24109G02F000	STAR WASHER	1
23	213203.001161	RATCHET (STARTING)	1
24	15112G02F010	WASHER , SPRING	1
25	B04031212553	NUT	1
26	24204G02F000	FACE , FIXED DRIVEN	1
27	24205G02F000	FACE , MOVABLE DRIVEN	1
28	24206G02F000	OIL SEAL	2
29	24207G02F000	O-RING	2
30	24308B01F000	SPRING	1
31	24309G02F930	SEAT , SPRING	1
32	24200B01F000	DRIVEN PULLEY COMP.	1
33	213100.039000	DRIVE PULLEY COMP.	1
34	213100.010000	SHIFT ASSY	1
35	24208G02F000	PIN , GUIDE	2
36	20001107007X	WASHER	1
36	200021070030	WASHER	1
36	200011070013	WASHER	1



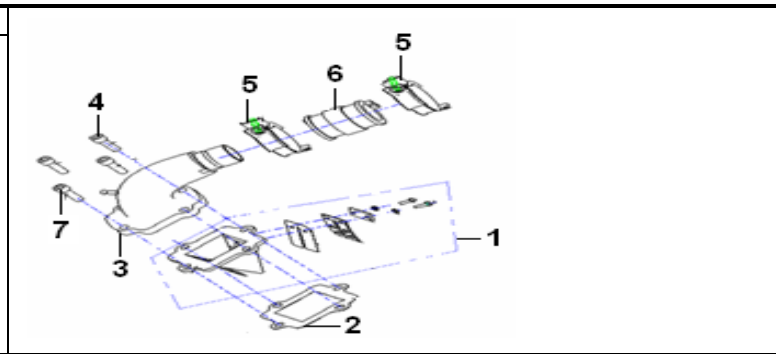
TRANSMISSION SYSTEM ASSY

NO.	PART NO.	EN DESCRIPTION	QTY
1	17800B01F000	SHAFT , IDLE	1
2	B12016620100	BEARING 6201	1
3	17509G02F000	PLATE WASHER12	1
4	17802G02F000	WASHER , CONICAL	1
5	17300B01F000	DRIVEN SHAFT(GEAR BOX)	1
6	B12016600400	BEARING	1
7	17317G02F000	OIL SEAL	1
8	17308G02F000	CIRCLIP	1
9	26136G02F000	NEEDLE BEARING	1



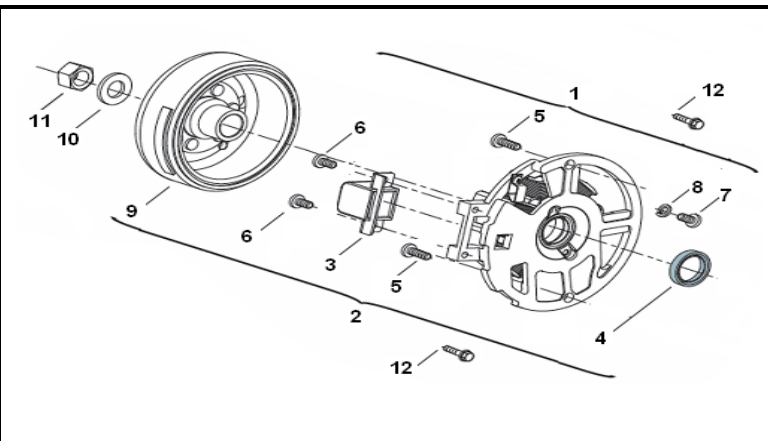
REED VALVE ASSY

NO.	PART NO.	EN DESCRIPTION	QTY
1	32300A02F000	REED VALVE ASSY	1
2	202306.002000	VALVE SEAT GASKET	1
3	32200B01F000	PIPE,INTAKE	1
4	302040602065	SCREWM6X20	3
5	32202G01F000	CLAMP HOSE ASSY	2
6	32237G01F000	RUBBER PIPE	1
7	206412.001472	SCREW	1



MAGNETO ASSY

NO.	PART NO.	EN DESCRIPTION	QTY
1	299032080002	COIL ASSY	1
2	299022080024	MAGNETO ASSY	1
3	34330G02F000	PULSE TRIGGER	1
4	34350G02F000	OIL SEAT	1
5	B02000502522	SCREW	2
6	B02000501262	SCREW	2
7	B02000400622	SCREW	1
8	B07000000400	SPRING WASHER	1
9	223101.022000	FLY WHEEL ASSY	1
10	B07030001200	WASHER	1
11	15228H03F000	NUT	1
12	B01070601664	NUT	2



CARBURETOR ASSY

NO.	PART NO.	EN DESCRIPTION	QTY
1	224208.100000	NEEDLE, jet	1
2	224600.018000	VALVE, PISTON	1
3	3311502A0000	JET, main 57.5#	1
3	3311502A001X	JET, main 65#	1
4	3360102A0000	ENRICH VALVE	1
5	224222.018000	PIN, float	1
6	224215.016000	FLOAT	1
7	224416.014000	GASKET	1
8	224203.039000	JET, idle	1
9	3390002A0280	CARBURETOR ASSY	1
10	224214.008000	CLIPMM, V shape	1

