

PARTS CATALOGUE



SCOOTERS

SC10AW(AT)

ZX 50



Release Date : 2009/05/11
Print Date : 2012/02/09

ABOUT THIS PARTS LIST

- This parts list is compiled all service parts for model SC10AW(AT).
- Any difference between color chart and motorcycle will be revised according to motorcycle.
- The Mark:
 1. Marking "***" must add color code in the end before ordering parts.
 2. Marking "#" are parts with modification, Please find the details from e-Parts system.
- When modification or additions to this parts list are made a revised edition at an appropriate time.



CONTENTS

| | |
|-----------------------------------|-----|
| ● ABOUT THIS PARTS LIST | 1 |
| ● COLOR CHART OF SC10AW(AT) | 3 |
| ● CONTENTS-ENGINE GROUP | 12 |
| ● CONTENTS-FRAME GROUP | 14 |
| ● ENGINE PARTS LIST | 17 |
| ● FRAME PARTS LIST | 47 |
| ● PART NO. INDEX | 109 |

| NO | MODEL | | | COLOR CHART OF SC10AW(AT) | | | |
|------------------------|--------------------|----------------|---------|---------------------------|------------|------------|----------------------|
| | PHOTO NO | | | NO. 1 | NO. 2 | NO. 3 | NO. 4 |
| | BASIC COLOR | | | Navy Blue | Black Blue | Black Blue | Bright Blue Metallic |
| | CODE | | | Navy Blue | Black Blue | Black Blue | Bright Blue Metallic |
| | PARTS NAME | PARTS NO. | VERSION | PB183MA | PB184PAB | PB184PAA | PB206MAB |
| 1 | WINKER ASSY R FR | 33400-KACA-E10 | 1 | H8R | | | |
| 2 | WINKER ASSY L FR | 33450-KACA-E10 | 1 | | | | |
| 3 | COVER RR HANDLE | 53206-KACA-900 | 1 | | | | |
| 4 | LEG SHIELD | 81131-KACA-910 | 2 | | | | |
| 5 | LID LEG SHIELD | 81132-KKDK-900 | 1 | | | | |
| 6 | LID INNER BOX | 81141-KACA-900 | 1 | | | | |
| 7 | FLOOR PANEL | 64310-KACA-900 | 2 | H8R | | | N8P |
| 8 | MAT FLOOR | 64320-KACA-900 | 1 | M3A | | | |
| 9 | LEVER R STRG HNDL | 53175-KXBX-E10 | 3 | | | | |
| 10 | LEVER L STRG HNDL | 53178-KXCX-E00 | 0 | | | | |
| 11 | GRIP COMP THROT | 53140-KNBN-960 | 0 | N1R | | | |
| 12 | GRIP HANDLE L | 53166-KNBN-911 | 0 | | | | |
| 13 | FENDER REAR | 80105-KXCX-900 | 6 | | | | |
| 14 | HOOK LUGGAGE | 81132-GHAH-001 | 2 | | | | |
| 15 | BOX COMP LUGGAGE | 81260-KXCX-E00 | 7 | BHP | | | |
| 16 | COVER R BODY | 83500-KCAC-900 | 9 | | | | |
| 17 | COVER FR HANDLE | 53205-KXCX-E00 | 0 | | | | |
| 18 | COVER BATTERY | 80151-KCAC-900 | 2 | | | | |
| 19 | COVER RR CENTER | 83750-KXCX-900 | 0 | | | | |
| 20 | MOLD ASSY RR | 8375B-KCAC-901 | 0 | BJB | | | BMC |
| 21 | FENDER FR INNER | 61110-KEB7-E00 | 0 | BJP | | | |
| 22 | COWL UNDER/plastic | 64400-KACA-900 | 3 | | | | |
| 23 | COVER COMP L SIDE | 11340-KXCX-900 | 1 | NEA | | | |
| 24 | WHEEL COMP RR CAST | 42601-KEB7-E0E | 2 | NJA | | | |
| 25 | WHEEL SET FR | 44650-KEB7-315 | 2 | | | | |
| DATE OF STARTING-SALES | | | | | | | |
| DATE OF END-SALES | | | | | | | |

| NO | MODEL | | | COLOR CHART OF SC10AW(AT) | | | |
|------------------------|--------------------|----------------|---------|---------------------------|--------------------|---------------|---------------|
| | PHOTO NO | | | NO. 5 | NO. 6 | NO. 7 | NO. 8 |
| | BASIC COLOR | | | Bright Blue Metallic | Light Yellow Green | Bright Silver | Bright Silver |
| | CODE | | | Bright Blue Metallic | Light Yellow Green | Bright Silver | Bright Silver |
| | PARTS NAME | PARTS NO. | VERSION | PB206MAA | YG022MA | NH045MAB | NH045MAA |
| 1 | WINKER ASSY R FR | 33400-KACA-E10 | 1 | H8R | | | |
| 2 | WINKER ASSY L FR | 33450-KACA-E10 | 1 | | | | |
| 3 | COVER RR HANDLE | 53206-KACA-900 | 1 | | | | |
| 4 | LEG SHIELD | 81131-KACA-910 | 2 | | | | |
| 5 | LID LEG SHIELD | 81132-KKDK-900 | 1 | | | | |
| 6 | LID INNER BOX | 81141-KACA-900 | 1 | | | | |
| 7 | FLOOR PANEL | 64310-KACA-900 | 2 | | | | |
| 8 | MAT FLOOR | 64320-KACA-900 | 1 | | | | |
| 9 | LEVER R STRG HNDL | 53175-KXBX-E10 | 3 | | | | |
| 10 | LEVER L STRG HNDL | 53178-KXCX-E00 | 0 | | | | |
| 11 | GRIP COMP THROT | 53140-KNBN-960 | 0 | N1R | | | |
| 12 | GRIP HANDLE L | 53166-KNBN-911 | 0 | | | | |
| 13 | FENDER REAR | 80105-KXCX-900 | 6 | | | | |
| 14 | HOOK LUGGAGE | 81132-GHAH-001 | 2 | | | | |
| 15 | BOX COMP LUGGAGE | 81260-KXCX-E00 | 7 | | | | |
| 16 | COVER R BODY | 83500-KCAC-900 | 9 | BMP W2P N8P | | | |
| 17 | COVER FR HANDLE | 53205-KXCX-E00 | 0 | | | | |
| 18 | COVER BATTERY | 80151-KCAC-900 | 2 | | | | |
| 19 | COVER RR CENTER | 83750-KXCX-900 | 0 | | | | |
| 20 | MOLD ASSY RR | 8375B-KCAC-901 | 0 | BMP N1P YFP N8P | | | |
| 21 | FENDER FR INNER | 61110-KEB7-E00 | 0 | | | | |
| 22 | COWL UNDER/plastic | 64400-KACA-900 | 3 | | | | |
| 23 | COVER COMP L SIDE | 11340-KXCX-900 | 1 | NEA | | | |
| 24 | WHEEL COMP RR CAST | 42601-KEB7-E0E | 2 | NJA | | | |
| 25 | WHEEL SET FR | 44650-KEB7-315 | 2 | | | | |
| DATE OF STARTING-SALES | | | | | | | |
| DATE OF END-SALES | | | | | | | |

| NO | MODEL | | | COLOR CHART OF SC10AW(AT) | | | |
|------------------------|--------------------|----------------|---------|---------------------------|-----------|--|--|
| | PHOTO NO | | | NO. 9 | NO. 10 | | |
| | BASIC COLOR | | | Vivid Red | Vivid Red | | |
| | CODE | | | Vivid Red | Vivid Red | | |
| | PARTS NAME | PARTS NO. | VERSION | RR134SAB | RR134SAA | | |
| 1 | WINKER ASSY R FR | 33400-KACA-E10 | 1 | H8R | | | |
| 2 | WINKER ASSY L FR | 33450-KACA-E10 | 1 | | | | |
| 3 | COVER RR HANDLE | 53206-KACA-900 | 1 | | | | |
| 4 | LEG SHIELD | 81131-KACA-910 | 2 | | | | |
| 5 | LID LEG SHIELD | 81132-KKDK-900 | 1 | | | | |
| 6 | LID INNER BOX | 81141-KACA-900 | 1 | | | | |
| 7 | FLOOR PANEL | 64310-KACA-900 | 2 | | | | |
| 8 | MAT FLOOR | 64320-KACA-900 | 1 | | | | |
| 9 | LEVER R STRG HNDL | 53175-KXBX-E10 | 3 | M3A | | | |
| 10 | LEVER L STRG HNDL | 53178-KXCX-E00 | 0 | | | | |
| 11 | GRIP COMP THROT | 53140-KNBN-960 | 0 | N1R | | | |
| 12 | GRIP HANDLE L | 53166-KNBN-911 | 0 | | | | |
| 13 | FENDER REAR | 80105-KXCX-900 | 6 | | | | |
| 14 | HOOK LUGGAGE | 81132-GHAH-001 | 2 | | | | |
| 15 | BOX COMP LUGGAGE | 81260-KXCX-E00 | 7 | | | | |
| 16 | COVER R BODY | 83500-KCAC-900 | 9 | | | | |
| 17 | COVER FR HANDLE | 53205-KXCX-E00 | 0 | | | | |
| 18 | COVER BATTERY | 80151-KCAC-900 | 2 | R8P | | | |
| 19 | COVER RR CENTER | 83750-KXCX-900 | 0 | | | | |
| 20 | MOLD ASSY RR | 8375B-KCAC-901 | 0 | | | | |
| 21 | FENDER FR INNER | 61110-KEB7-E00 | 0 | | | | |
| 22 | COWL UNDER/plastic | 64400-KACA-900 | 3 | N8P | R8P | | |
| 23 | COVER COMP L SIDE | 11340-KXCX-900 | 1 | NEA | | | |
| 24 | WHEEL COMP RR CAST | 42601-KEB7-E0E | 2 | NJA | | | |
| 25 | WHEEL SET FR | 44650-KEB7-315 | 2 | | | | |
| DATE OF STARTING-SALES | | | | | | | |
| DATE OF END-SALES | | | | | | | |

| NO | MODEL | | | COLOR CHART OF SC10AW(AT) | | | |
|------------------------|---------------------|----------------|---------|---------------------------|------------|------------|----------------------|
| | PHOTO NO | | | NO. 1 | NO. 2 | NO. 3 | NO. 4 |
| | BASIC COLOR | | | Navy Blue | Black Blue | Black Blue | Bright Blue Metallic |
| | CODE | | | Navy Blue | Black Blue | Black Blue | Bright Blue Metallic |
| | PARTS NAME | PARTS NO. | VERSION | PB183MA | PB184PAB | PB184PAA | PB206MAB |
| 26 | CALIPER ASSY FR L | 45100-KXCX-E00 | 4 | NJA | | | |
| 27 | CARRIER ASSY | 77300-KXCX-900 | 1 | | | | |
| 28 | FORK SET R FR | 5140A-KXCX-E00 | 2 | NQA | | | |
| 29 | BOTTOM CASE R | 51420-KEB7-800 | 1 | | | | |
| 30 | FORK SET L FR | 5150A-KXCX-E00 | 3 | | | | |
| 31 | BOTTOM CASE L | 51520-KEB7-800 | 0 | | | | |
| 32 | LABEL GLOVE BOX | 81218-KCAC-P00 | 0 | | | | |
| 33 | CAUTION ANTI | 87224-KXCX-EZ0 | 0 | T01 | | | |
| 34 | CAUTION USE GAS | 87501-KRDR-E00 | 2 | | | | |
| 35 | LABEL TIRE | 87505-KXCX-E20 | 0 | | | | |
| 36 | CAUTION SIDE STAND | 87541-GAR1-E00 | 1 | | | | |
| 37 | MARK MAINT CAUTION | 87542-GAR1-E00 | 2 | | | | |
| 38 | MARK DRIVE CAUTION | 87560-GAR1-E00 | 3 | | | | |
| 39 | STRIPE KYMCO | 87161-KCAC-920 | 1 | | | | |
| 40 | MARK KYMCO | 87532-KGAG-V00 | 5 | T02 | | | |
| 41 | SEAT ASSY | 77200-KXCX-E00 | 1 | | | | |
| 42 | EMB FR COVER | 87551-KACA-900 | 0 | T02 | | T02 | |
| 43 | COVER SET FR | 64301-KXCX-305 | 0 | | BJA | | BMB |
| 44 | COVER SET BODY L | 83600-KXCX-305 | 0 | | BJB | | BMC |
| 45 | STRIPE FR COVER | 86101-KXCX-E80 | 1 | | | | |
| 46 | STRIPE R FR MOLD | 86282-KXCX-E80 | 1 | | T01 | | T02 |
| 47 | STRIPE L FR MOLD | 86283-KXCX-E80 | 2 | | | | |
| 48 | STRIPE R BODY COVER | 86221-KXCX-E80 | 1 | | | | |
| 49 | STRIPE L BODY COVER | 86231-KXCX-E80 | 1 | | T02 | | T03 |
| 50 | STRIPE R SKIRT | 86341-KXCX-E80 | 1 | | | | |
| DATE OF STARTING-SALES | | | | | | | |
| DATE OF END-SALES | | | | | | | |

| NO | MODEL | | | COLOR CHART OF SC10AW(AT) | | | |
|------------------------|---------------------|----------------|---------|---------------------------|--------------------|---------------|---------------|
| | PHOTO NO | | | NO. 5 | NO. 6 | NO. 7 | NO. 8 |
| | BASIC COLOR | | | Bright Blue Metallic | Light Yellow Green | Bright Silver | Bright Silver |
| | CODE | | | Bright Blue Metallic | Light Yellow Green | Bright Silver | Bright Silver |
| | PARTS NAME | PARTS NO. | VERSION | PB206MAA | YG022MA | NH045MAB | NH045MAA |
| 26 | CALIPER ASSY FR L | 45100-KXCX-E00 | 4 | NJA | | | |
| 27 | CARRIER ASSY | 77300-KXCX-900 | 1 | | | | |
| 28 | FORK SET R FR | 5140A-KXCX-E00 | 2 | NQA | | | |
| 29 | BOTTOM CASE R | 51420-KEB7-800 | 1 | | | | |
| 30 | FORK SET L FR | 5150A-KXCX-E00 | 3 | | | | |
| 31 | BOTTOM CASE L | 51520-KEB7-800 | 0 | | | | |
| 32 | LABEL GLOVE BOX | 81218-KCAC-P00 | 0 | | | | |
| 33 | CAUTION ANTI | 87224-KXCX-EZ0 | 0 | T01 | | | |
| 34 | CAUTION USE GAS | 87501-KRDR-E00 | 2 | | | | |
| 35 | LABEL TIRE | 87505-KXCX-E20 | 0 | | | | |
| 36 | CAUTION SIDE STAND | 87541-GAR1-E00 | 1 | | | | |
| 37 | MARK MAINT CAUTION | 87542-GAR1-E00 | 2 | | | | |
| 38 | MARK DRIVE CAUTION | 87560-GAR1-E00 | 3 | | | | |
| 39 | STRIPE KYMCO | 87161-KCAC-920 | 1 | T01 | | T02 | |
| 40 | MARK KYMCO | 87532-KGAG-V00 | 5 | | | | |
| 41 | SEAT ASSY | 77200-KXCX-E00 | 1 | T02 | | | |
| 42 | EMB FR COVER | 87551-KACA-900 | 0 | T02 | | | T02 |
| 43 | COVER SET FR | 64301-KXCX-305 | 0 | | W2C | N8A | |
| 44 | COVER SET BODY L | 83600-KXCX-305 | 0 | | W2D | N8A | |
| 45 | STRIPE FR COVER | 86101-KXCX-E80 | 1 | | | | |
| 46 | STRIPE R FR MOLD | 86282-KXCX-E80 | 1 | | T03 | T01 | |
| 47 | STRIPE L FR MOLD | 86283-KXCX-E80 | 2 | | | | |
| 48 | STRIPE R BODY COVER | 86221-KXCX-E80 | 1 | | | | |
| 49 | STRIPE L BODY COVER | 86231-KXCX-E80 | 1 | | T04 | T01 | |
| 50 | STRIPE R SKIRT | 86341-KXCX-E80 | 1 | | | | |
| DATE OF STARTING-SALES | | | | | | | |
| DATE OF END-SALES | | | | | | | |

| NO | MODEL | | | COLOR CHART OF SC10AW(AT) | | | |
|------------------------|---------------------|----------------|---------|---------------------------|-----------|--|--|
| | PHOTO NO | | | NO. 9 | NO. 10 | | |
| | BASIC COLOR | | | Vivid Red | Vivid Red | | |
| | CODE | | | Vivid Red | Vivid Red | | |
| | PARTS NAME | PARTS NO. | VERSION | RR134SAB | RR134SAA | | |
| 26 | CALIPER ASSY FR L | 45100-KXCX-E00 | 4 | NJA | | | |
| 27 | CARRIER ASSY | 77300-KXCX-900 | 1 | | | | |
| 28 | FORK SET R FR | 5140A-KXCX-E00 | 2 | NQA | | | |
| 29 | BOTTOM CASE R | 51420-KEB7-800 | 1 | | | | |
| 30 | FORK SET L FR | 5150A-KXCX-E00 | 3 | | | | |
| 31 | BOTTOM CASE L | 51520-KEB7-800 | 0 | | | | |
| 32 | LABEL GLOVE BOX | 81218-KCAC-P00 | 0 | | | | |
| 33 | CAUTION ANTI | 87224-KXCX-EZ0 | 0 | T01 | | | |
| 34 | CAUTION USE GAS | 87501-KRDR-E00 | 2 | | | | |
| 35 | LABEL TIRE | 87505-KXCX-E20 | 0 | | | | |
| 36 | CAUTION SIDE STAND | 87541-GAR1-E00 | 1 | | | | |
| 37 | MARK MAINT CAUTION | 87542-GAR1-E00 | 2 | | | | |
| 38 | MARK DRIVE CAUTION | 87560-GAR1-E00 | 3 | | | | |
| 39 | STRIPE KYMCO | 87161-KCAC-920 | 1 | | | | |
| 40 | MARK KYMCO | 87532-KGAG-V00 | 5 | T02 | | | |
| 41 | SEAT ASSY | 77200-KXCX-E00 | 1 | | | | |
| 42 | EMB FR COVER | 87551-KACA-900 | 0 | | T02 | | |
| 43 | COVER SET FR | 64301-KXCX-305 | 0 | R8B | | | |
| 44 | COVER SET BODY L | 83600-KXCX-305 | 0 | R8C | | | |
| 45 | STRIPE FR COVER | 86101-KXCX-E80 | 1 | T02 | | | |
| 46 | STRIPE R FR MOLD | 86282-KXCX-E80 | 1 | | | | |
| 47 | STRIPE L FR MOLD | 86283-KXCX-E80 | 2 | | | | |
| 48 | STRIPE R BODY COVER | 86221-KXCX-E80 | 1 | T03 | | | |
| 49 | STRIPE L BODY COVER | 86231-KXCX-E80 | 1 | | | | |
| 50 | STRIPE R SKIRT | 86341-KXCX-E80 | 1 | | | | |
| DATE OF STARTING-SALES | | | | | | | |
| DATE OF END-SALES | | | | | | | |

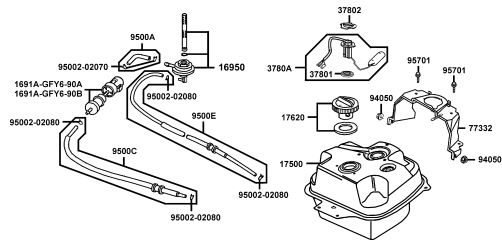
| NO | MODEL | | | COLOR CHART OF SC10AW(AT) | | | |
|------------------------|----------------|----------------|---------|---------------------------|------------|------------|----------------------|
| | PHOTO NO | | | NO. 1 | NO. 2 | NO. 3 | NO. 4 |
| | BASIC COLOR | | | Navy Blue | Black Blue | Black Blue | Bright Blue Metallic |
| | CODE | | | Navy Blue | Black Blue | Black Blue | Bright Blue Metallic |
| | PARTS NAME | PARTS NO. | VERSION | PB183MA | PB184PAB | PB184PAA | PB206MAB |
| 51 | STRIPE L SKIRT | 86351-KXCX-E80 | 1 | | T02 | | T03 |
| | | | | | | | |
| | | | | | | | |
| | | | | | | | |
| | | | | | | | |
| | | | | | | | |
| | | | | | | | |
| | | | | | | | |
| | | | | | | | |
| | | | | | | | |
| | | | | | | | |
| | | | | | | | |
| | | | | | | | |
| | | | | | | | |
| | | | | | | | |
| | | | | | | | |
| | | | | | | | |
| | | | | | | | |
| | | | | | | | |
| | | | | | | | |
| | | | | | | | |
| | | | | | | | |
| | | | | | | | |
| | | | | | | | |
| | | | | | | | |
| | | | | | | | |
| | | | | | | | |
| | | | | | | | |
| | | | | | | | |
| | | | | | | | |
| | | | | | | | |
| | | | | | | | |
| | | | | | | | |
| | | | | | | | |
| | | | | | | | |
| | | | | | | | |
| | | | | | | | |
| | | | | | | | |
| | | | | | | | |
| | | | | | | | |
| | | | | | | | |
| DATE OF STARTING-SALES | | | | | | | |
| DATE OF END-SALES | | | | | | | |

| NO | MODEL | | | COLOR CHART OF SC10AW(AT) | | | |
|------------------------|----------------|----------------|---------|---------------------------|--------------------|---------------|---------------|
| | PHOTO NO | | | NO. 5 | NO. 6 | NO. 7 | NO. 8 |
| | BASIC COLOR | | | Bright Blue Metallic | Light Yellow Green | Bright Silver | Bright Silver |
| | CODE | | | Bright Blue Metallic | Light Yellow Green | Bright Silver | Bright Silver |
| | PARTS NAME | PARTS NO. | VERSION | PB206MAA | YG022MA | NH045MAB | NH045MAA |
| 51 | STRIPE L SKIRT | 86351-KXCX-E80 | 1 | | T04 | T01 | |
| | | | | | | | |
| | | | | | | | |
| | | | | | | | |
| | | | | | | | |
| | | | | | | | |
| | | | | | | | |
| | | | | | | | |
| | | | | | | | |
| | | | | | | | |
| | | | | | | | |
| | | | | | | | |
| | | | | | | | |
| | | | | | | | |
| | | | | | | | |
| | | | | | | | |
| | | | | | | | |
| | | | | | | | |
| | | | | | | | |
| | | | | | | | |
| | | | | | | | |
| | | | | | | | |
| | | | | | | | |
| DATE OF STARTING-SALES | | | | | | | |
| DATE OF END-SALES | | | | | | | |

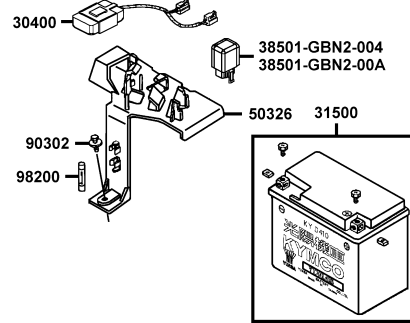
| NO | MODEL | | | COLOR CHART OF SC10AW(AT) | | | |
|------------------------|----------------|----------------|---------|---------------------------|-----------|--|--|
| | PHOTO NO | | | NO. 9 | NO. 10 | | |
| | BASIC COLOR | | | Vivid Red | Vivid Red | | |
| | CODE | | | Vivid Red | Vivid Red | | |
| | PARTS NAME | PARTS NO. | VERSION | RR134SAB | RR134SAA | | |
| 51 | STRIPE L SKIRT | 86351-KXCX-E80 | 1 | T03 | | | |
| | | | | | | | |
| | | | | | | | |
| | | | | | | | |
| | | | | | | | |
| | | | | | | | |
| | | | | | | | |
| | | | | | | | |
| | | | | | | | |
| | | | | | | | |
| | | | | | | | |
| | | | | | | | |
| | | | | | | | |
| | | | | | | | |
| | | | | | | | |
| | | | | | | | |
| | | | | | | | |
| | | | | | | | |
| | | | | | | | |
| DATE OF STARTING-SALES | | | | | | | |
| DATE OF END-SALES | | | | | | | |

CONTENTS - FRAME GROUP

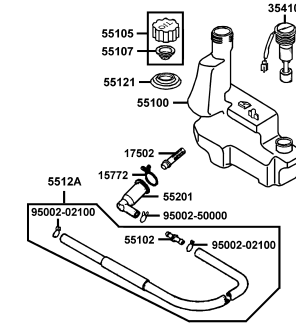
F10 Fuel Tank



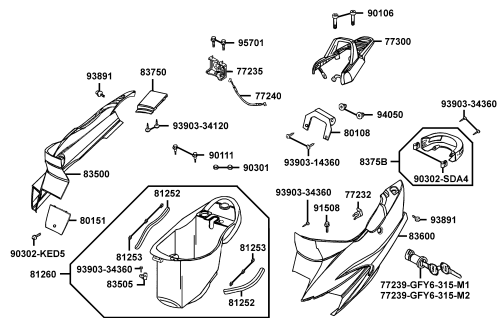
F11 Battery



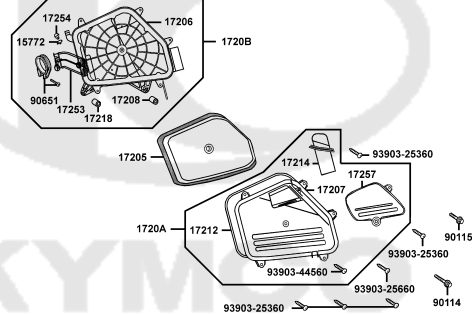
F12 OIL TANK



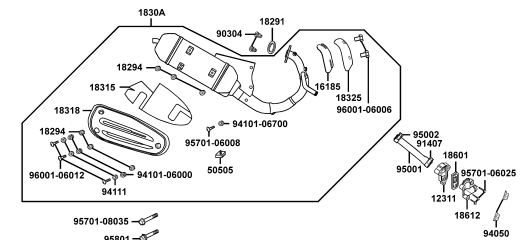
F13 Body Cover Luggage Box



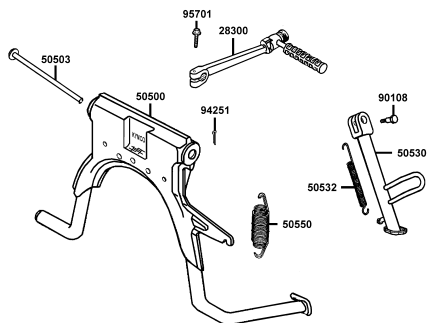
F14 Air Cleaner



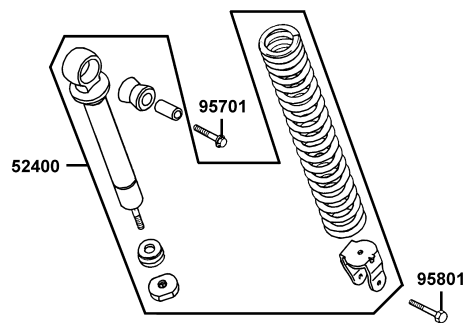
F15 Exhaust Muffler



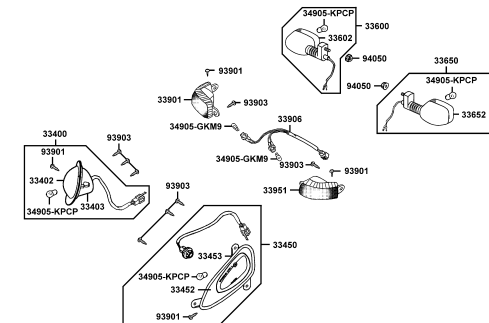
F16 Stand Kick Starter Arm



F17 Rear Cushion

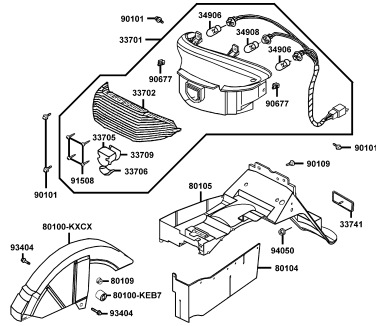


F18 Winker

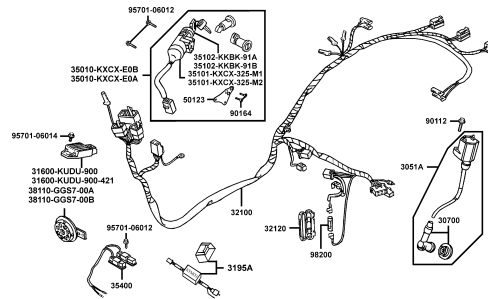


CONTENTS - FRAME GROUP

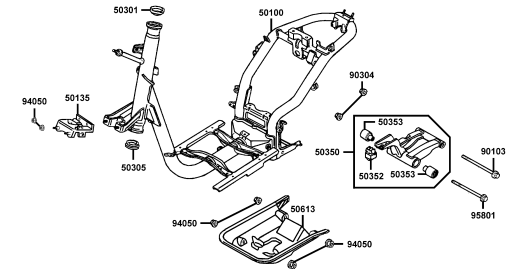
F19 Rear LightRear Fender



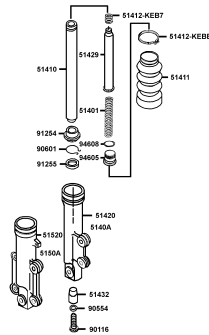
F20 Wire Harness



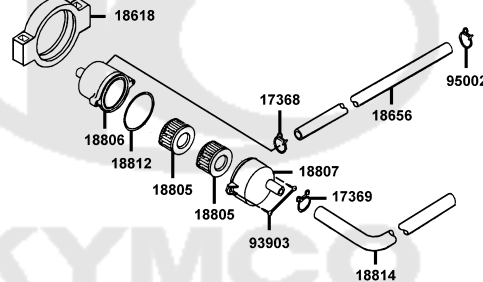
F21 Frame Body



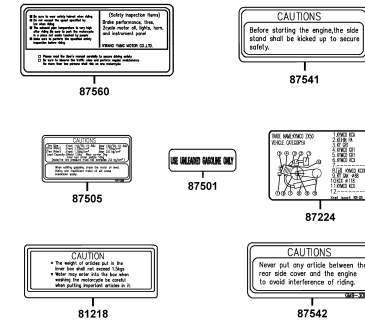
F22 Separated Parts Of Fr Fork



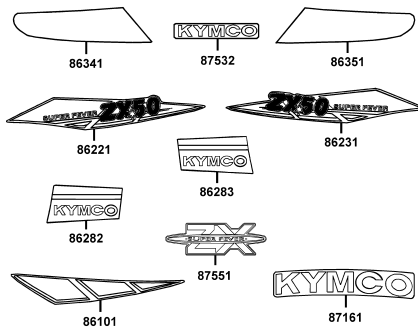
F23 AIR CLEANER TWO



F24 Caution Label

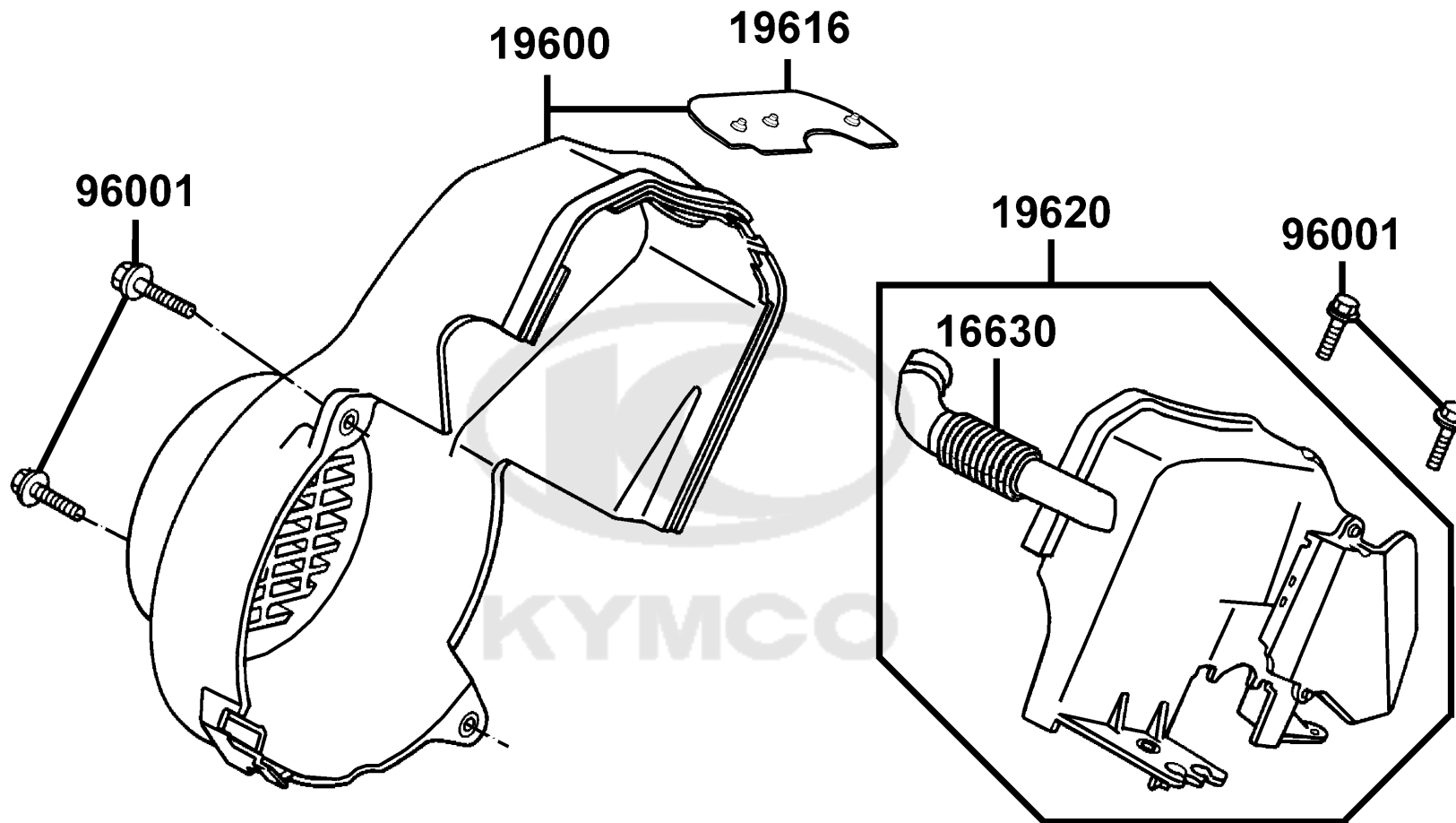


F25 EmblemStripe



E01

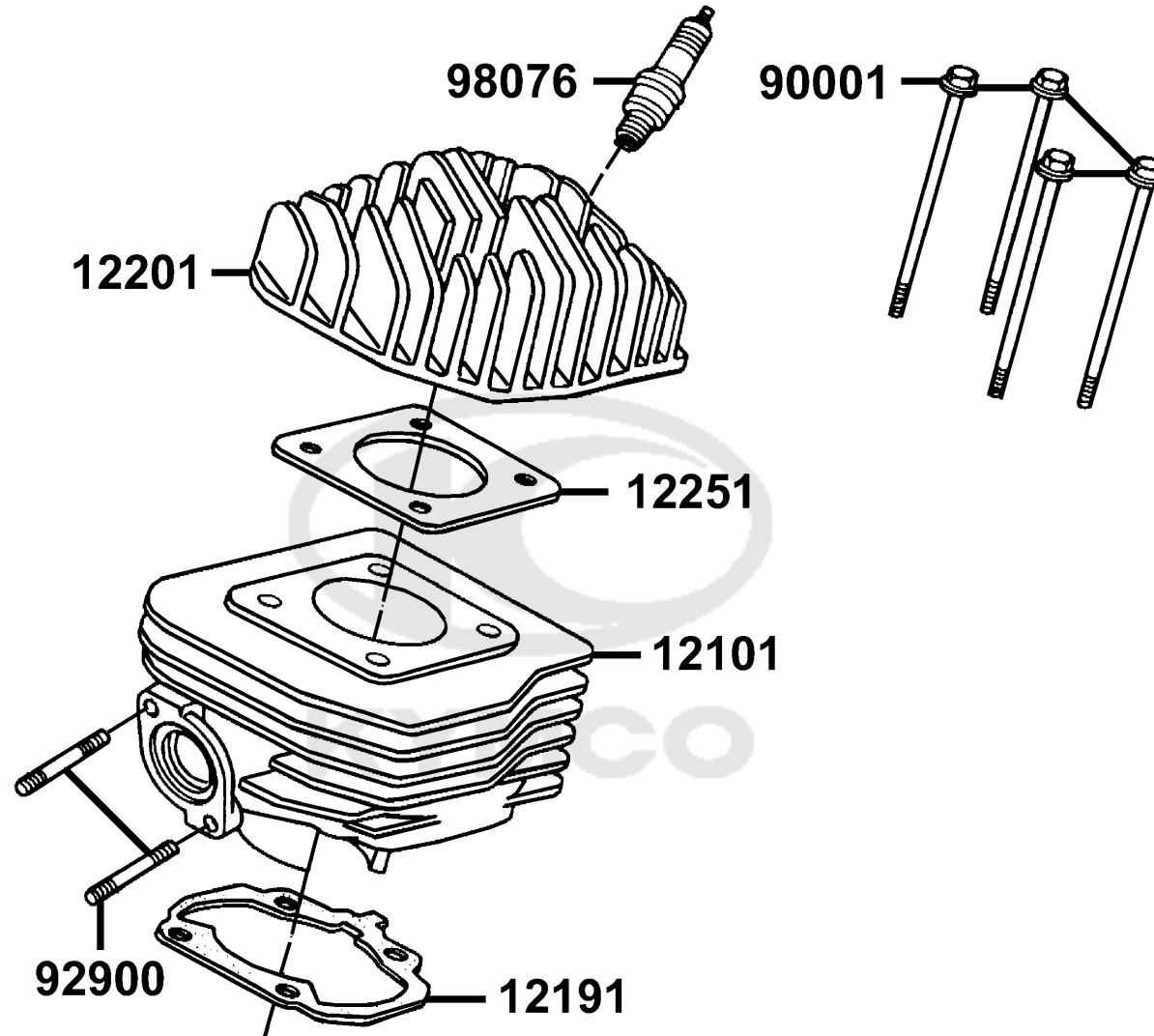
Fan CoverShroud



| Sales mark | Ref no | Part no | Description | Reg description | Regd no | E01 |
|------------|--------|---------|-------------|-----------------|---------|------------|
|------------|--------|---------|-------------|-----------------|---------|------------|

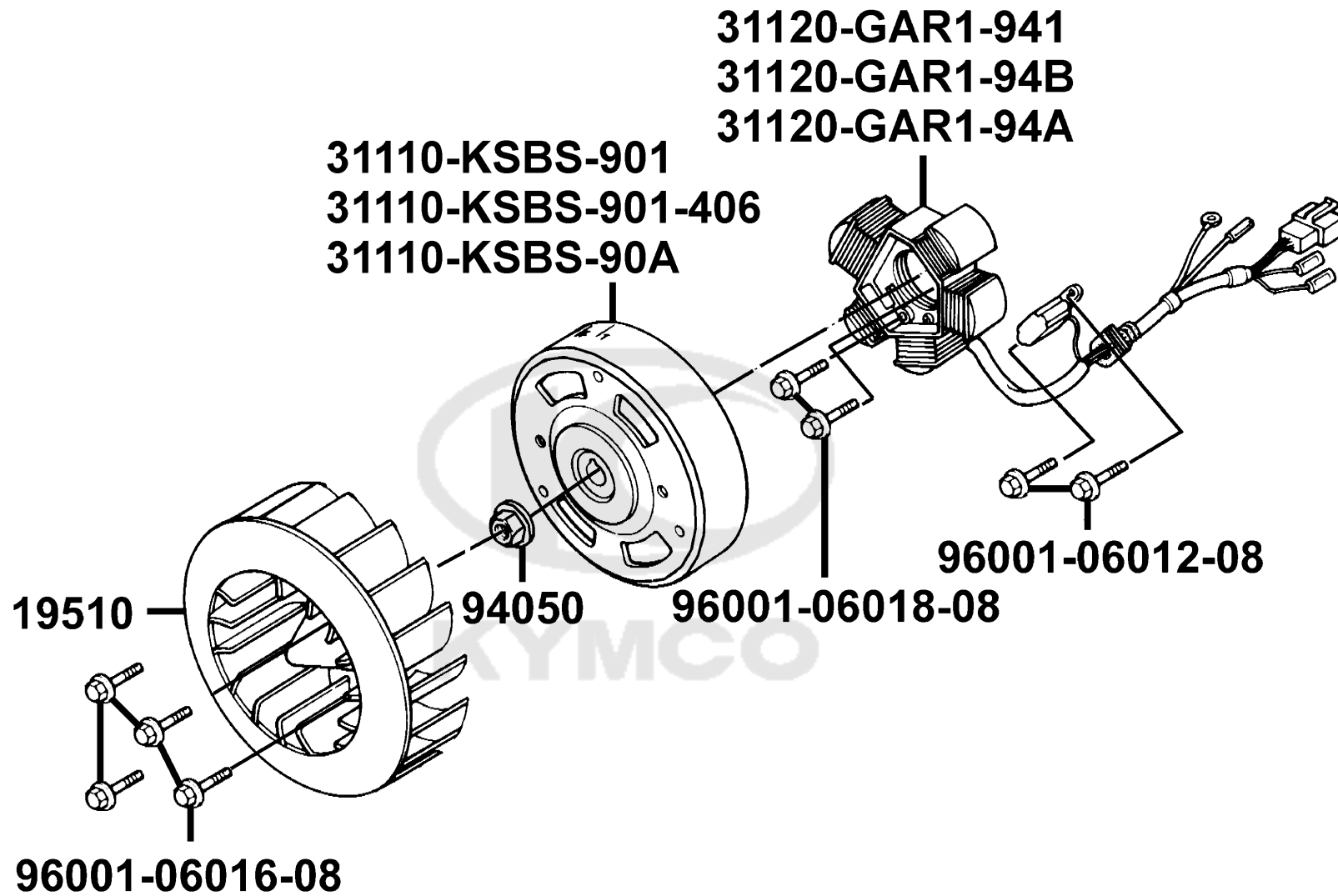
| | | | | | | |
|-------|--|----------------|---------------------|---------------------|---|--|
| 16630 | | 16630-GAR1-E00 | DUCT HEAD TRANSFER | DUCT HEAD TRANSFER | 1 | |
| 19600 | | 19600-GAR1-941 | FAN COVER COMP | FAN COVER COMP | 1 | |
| 19616 | | 19616-GAR1-941 | RUBBER FAN COVER | RUBBER FAN COVER | 1 | |
| 19620 | | 19620-GAR1-E00 | SHROUD COMP | SHROUD COMP | 1 | |
| 96001 | | 96001-06016-08 | BOLT FLANGE SH 6*16 | BOLT FLANGE SH 6*16 | 4 | |



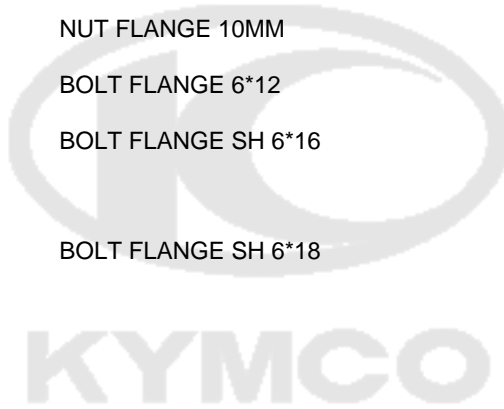


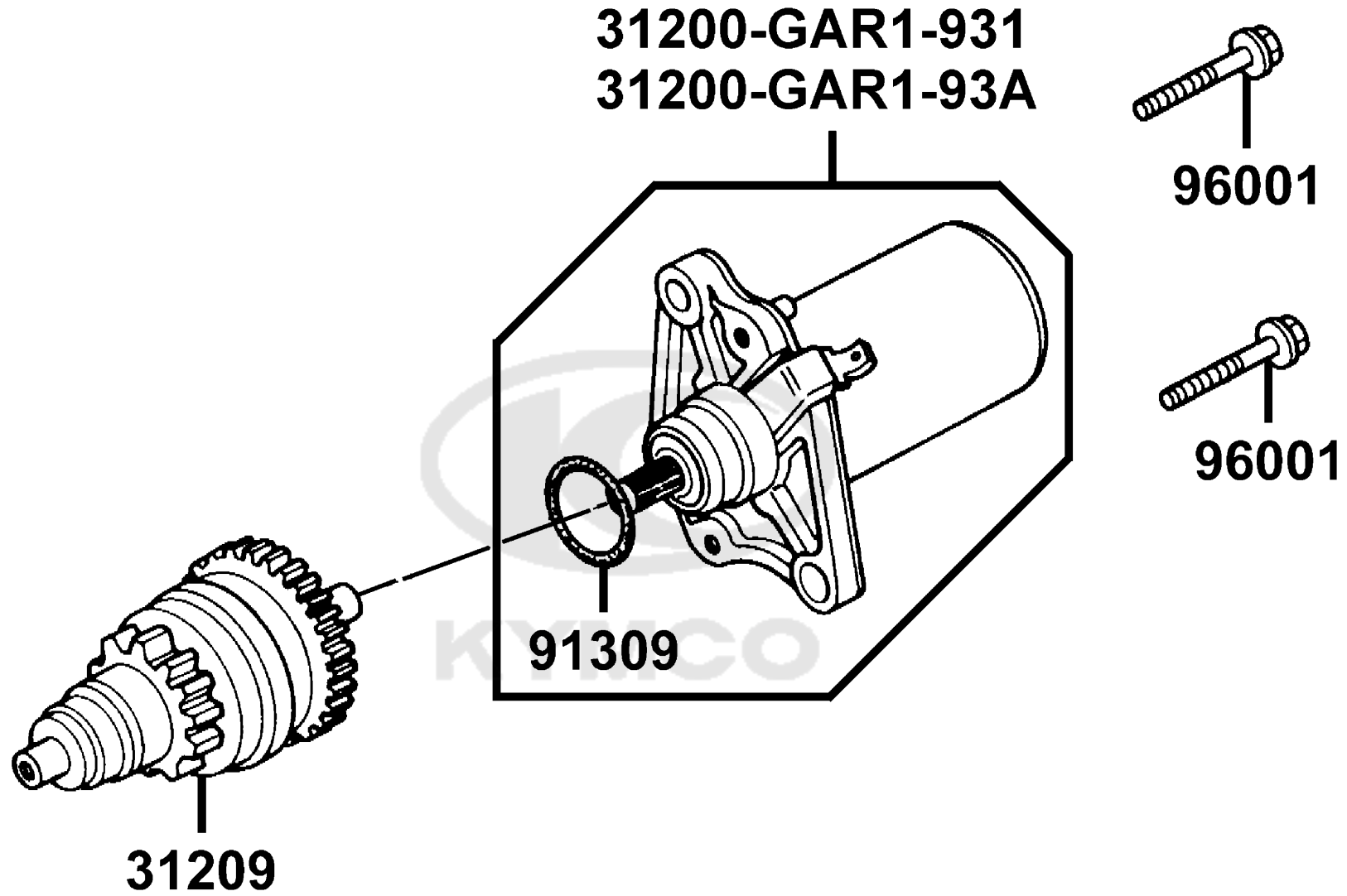
| Sales mark | Ref no | Part no | Description | Reg description | Regd no | E02 |
|------------|--------|----------------|----------------------|----------------------|---------|------------|
| | 12101 | 12101-GLW0-901 | CYLINDER A | CYLINDER A | 1 | |
| | 12191 | 12191-GLW0-902 | GASKET CYLIN A | GASKET CYLIN A | 1 | |
| | 12201 | 12201-GAR1-931 | HEAD CYLINDER | HEAD CYLINDER | 1 | |
| | 12251 | 12251-GLW0-001 | GASKET CYLINDER HEAD | GASKET CYLINDER HEAD | 1 | |
| | 90001 | 90001-GGA7-001 | BOLT FLANGE 6*95 | BOLT FLANGE 6*95 | 4 | |
| | 92900 | 92900-06018-1B | BOLT STUD 6*18 | BOLT STUD 6*18 | 2 | |
| | 98076 | 98076-5871G-00 | SPARK PLUG (BR8HSA) | SPARK PLUG (BR8HSA) | 1 | |





| Sales mark | Ref no | Part no | Description | Reg description | Regd no | E03 |
|------------|--------------------|--------------------|---------------------|---------------------|---------|------------|
| | 19510 | 19510-GLW0-902 | FAN COMP COOLING | FAN COMP COOLING | 1 | |
| | 31110-KSBS-901 | 31110-KSBS-901 | FLYWHEEL COMP /D414 | FLYWHEEL COMP /D414 | 1 | |
| | 31110-KSBS-901-406 | 31110-KSBS-901-406 | FLYWHEEL COMP /D406 | FLYWHEEL COMP /D406 | 1 | |
| | 31110-KSBS-90A | 31110-KSBS-90A | FLYWHEEL COMP /D402 | FLYWHEEL COMP /D402 | 1 | |
| | 31120-GAR1-941 | 31120-GAR1-941 | STATOR COMP /D414 | STATOR COMP /D414 | 1 | |
| | 31120-GAR1-94A | 31120-GAR1-94A | STATOR COMP /D402 | STATOR COMP /D402 | 1 | |
| | 31120-GAR1-94B | 31120-GAR1-94B | STATOR COMP /D406 | STATOR COMP /D406 | 1 | |
| | 94050 | 94050-10080 | NUT FLANGE 10MM | NUT FLANGE 10MM | 1 | |
| | 96001-06012 | 96001-06012-08 | BOLT FLANGE 6*12 | BOLT FLANGE 6*12 | 2 | |
| | 96001-06016 | 96001-06016-08 | BOLT FLANGE SH 6*16 | BOLT FLANGE SH 6*16 | 4 | |
| | 96001-06018 | 96001-06018-08 | BOLT FLANGE SH 6*18 | BOLT FLANGE SH 6*18 | 2 | |

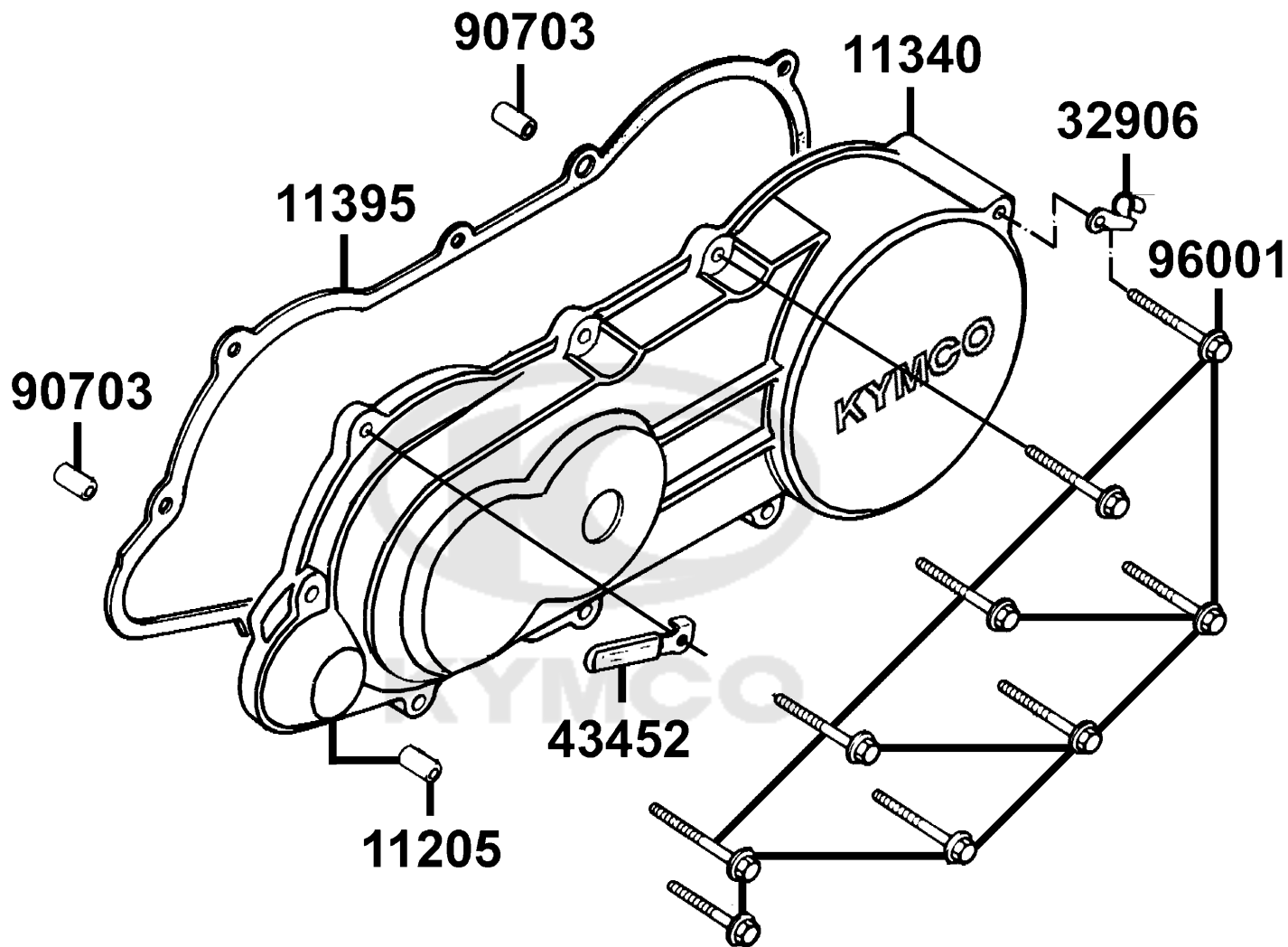




| Sales mark | Ref no | Part no | Description | Reg description | Regd no | E04 |
|------------|--------|---------|-------------|-----------------|---------|------------|
|------------|--------|---------|-------------|-----------------|---------|------------|

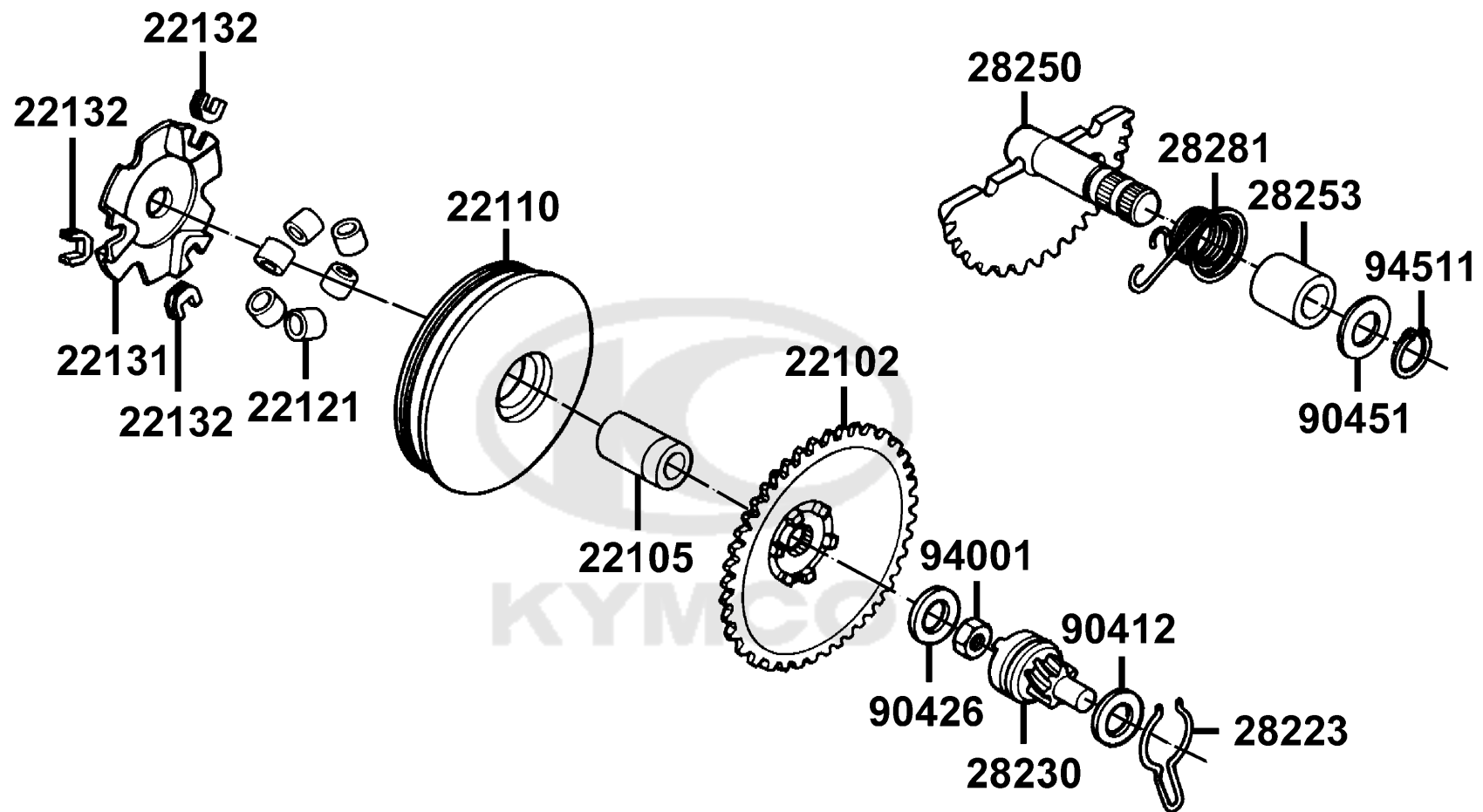
| | | | | | | |
|----------------|----------------|----------------|---------------------|---------------------|---|--|
| 31200-GAR1-931 | 31200-GAR1-931 | 31200-GAR1-931 | MOTOR ASSY START | MOTOR ASSY START | 1 | |
| 31200-GAR1-93A | 31200-GAR1-93A | 31200-GAR1-93A | MOTOR ASSY START | MOTOR ASSY START | 1 | |
| 31209 | 31209-GAR1-751 | 31209-GAR1-751 | PINION ASSY STARTER | PINION ASSY STARTER | 1 | |
| 91309 | 91309-GLF0-761 | 91309-GLF0-761 | O-RING | O-RING | 1 | |
| 96001 | 96001-06020-08 | 96001-06020-08 | BOLT FLANGE SH 6*20 | BOLT FLANGE SH 6*20 | 2 | |



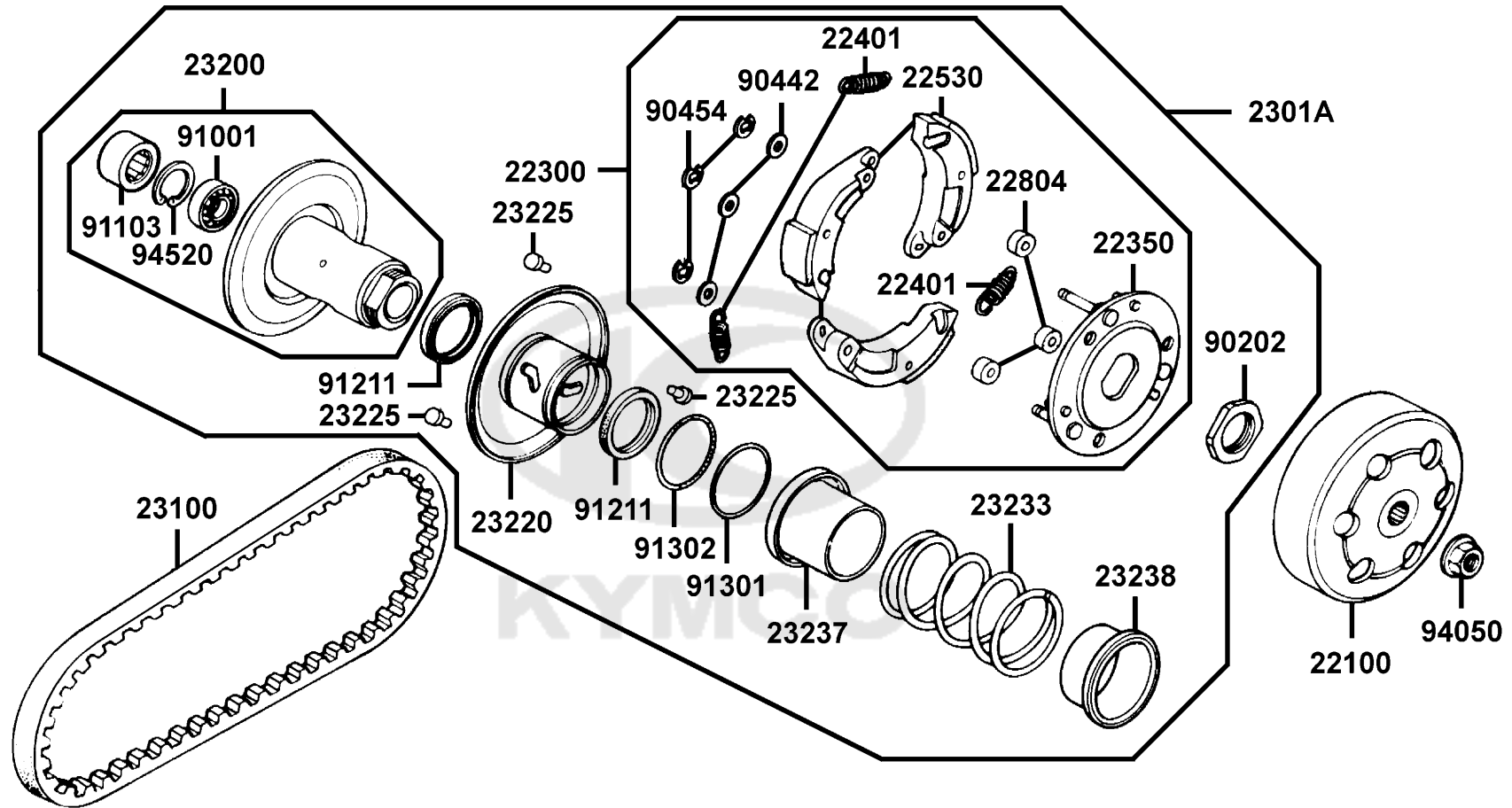


| Sales mark | Ref no | Part no | Description | Reg description | Regd no | E05 |
|------------|--------|----------------|--------------------------|--------------------------|---------|------------|
| | 11205 | 11205-GHAH-004 | BUSH 8*12*8 | BUSH 8*12*8 | 1 | |
| ** | 11340 | 11340-KXCX-900 | COVER COMP L SIDE | COVER COMP L SIDE | 1 | |
| | 11395 | 11395-KXCX-900 | GASKET L SIDE COVER | GASKET L SIDE COVER | 1 | |
| | 32906 | 32906-1G07-001 | CLIP HIGH TENSIONER CORD | CLIP HIGH TENSIONER CORD | 1 | |
| | 43452 | 43452-GBN2-601 | CLAMP BRK CABLE | CLAMP BRK CABLE | 1 | |
| | 90703 | 90703-HDC4-001 | PIN A DOWEL 10*14 | PIN A DOWEL 10*14 | 2 | |
| | 96001 | 96001-06032-08 | BOLT FLANGE SH 6*32 | BOLT FLANGE SH 6*32 | 9 | |

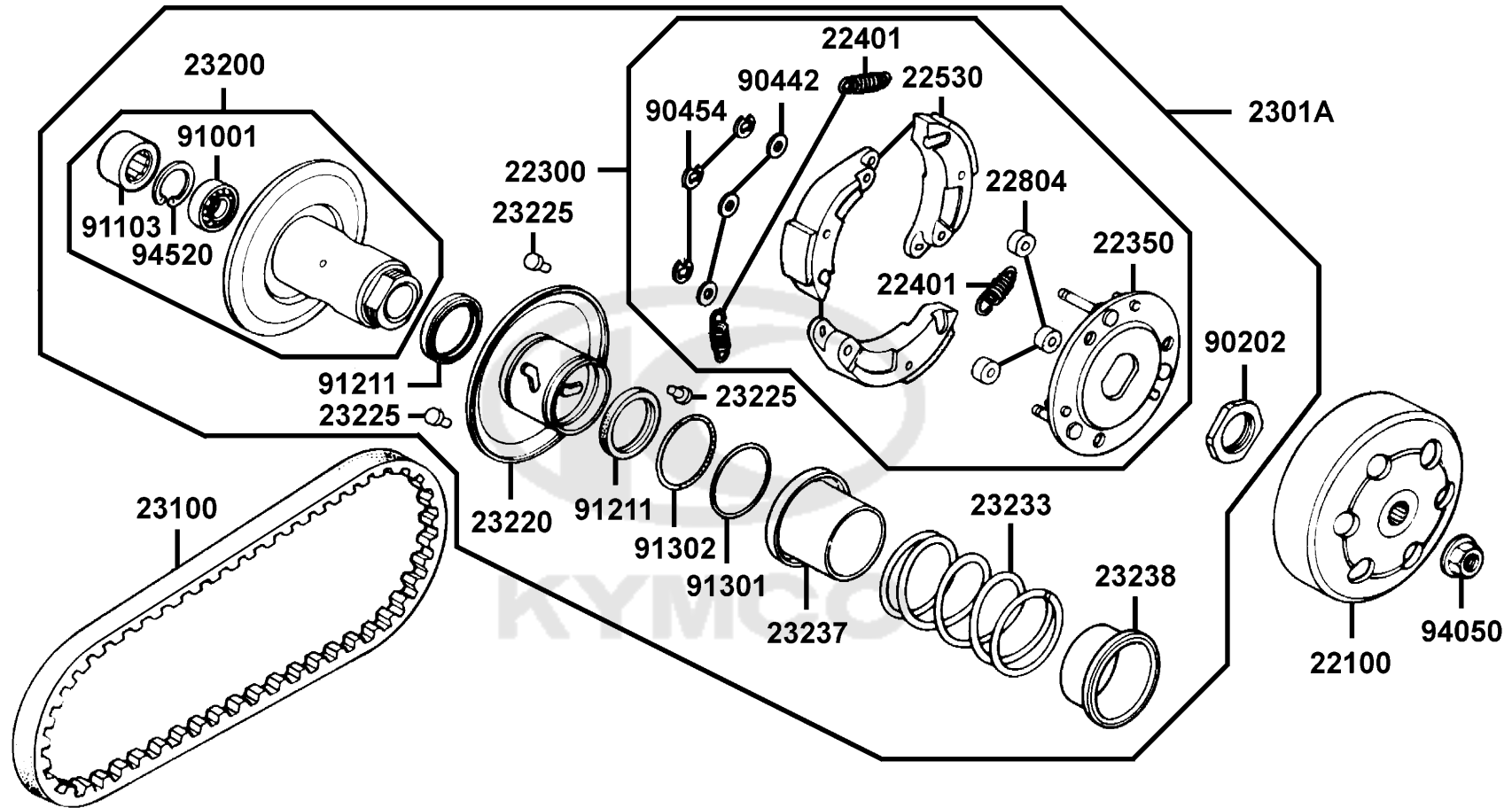





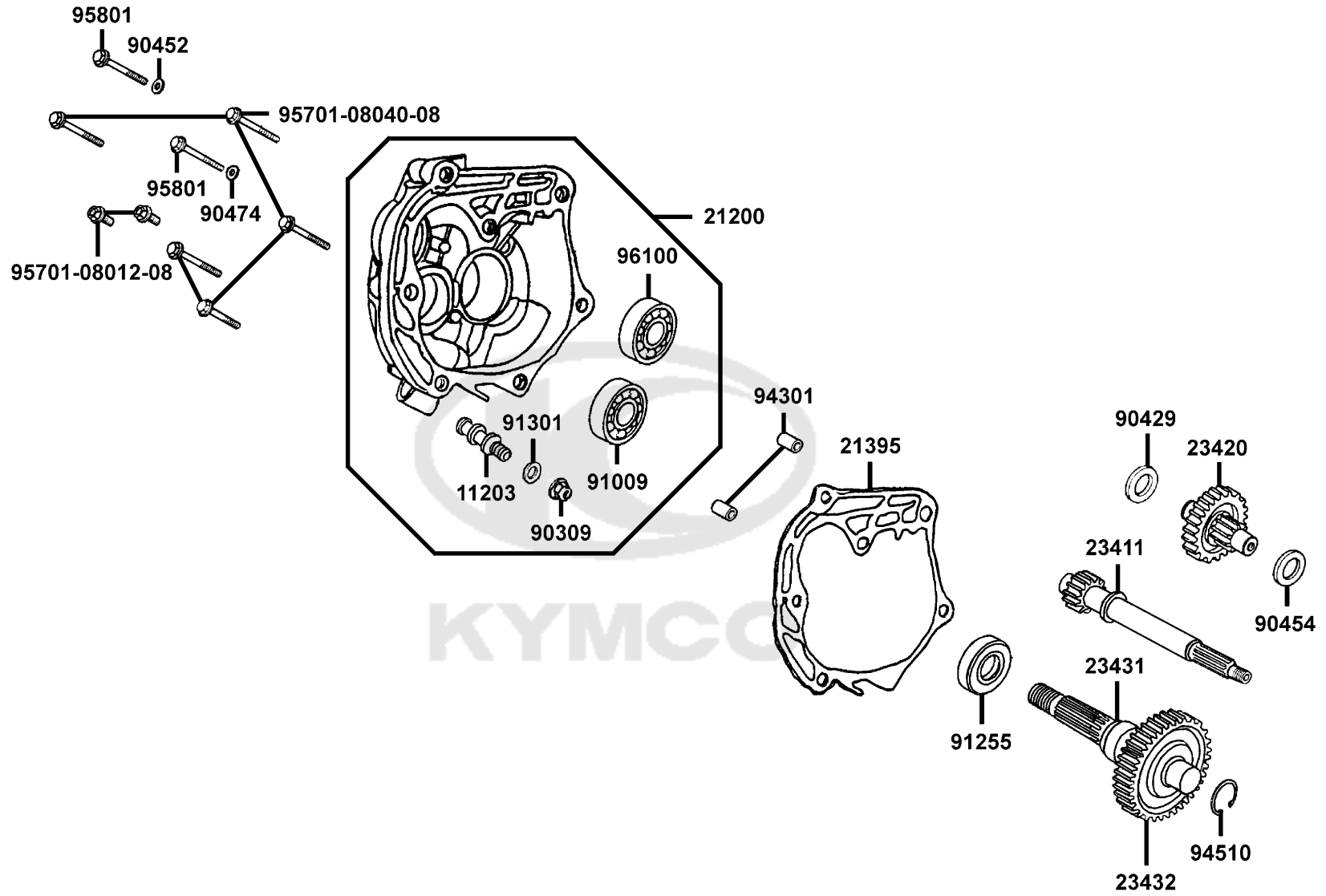
| Sales mark | Ref no | Part no | Description | Reg description | Regd no | E06 |
|------------|--------|----------------|---------------------------|---------------------------|---------|------------|
| 22102 | | 22102-GHAH-920 | FACE DRIVE | FACE DRIVE | 1 | |
| 22105 | | 22105-KXCX-EZ0 | BOSS DRIVE FACE | BOSS DRIVE FACE | 1 | |
| 22110 | | 22110-KFA1-220 | FACE COMP MOVABLE DRIVE | FACE COMP MOVABLE DRIVE | 1 | |
| 22121 | | 22121-GHT8-602 | ROLLER COMP WEIGHT | ROLLER COMP WEIGHT | 6 | |
| 22131 | | 22131-GHAH-781 | PLATE RAMP | PLATE RAMP | 1 | |
| 22132 | | 22132-GLW0-001 | PIECE SLIDE | PIECE SLIDE | 3 | |
| 28223 | | 28223-GHAH-721 | SPG FRICTION START GEAR | SPG FRICTION START GEAR | 1 | |
| 28230 | | 28230-GHAH-721 | GEAR COMP KICK DRIVEN | GEAR COMP KICK DRIVEN | 1 | |
| 28250 | | 28250-GBN2-602 | SPINDLE COMP KICK STARTER | SPINDLE COMP KICK STARTER | 1 | |
| 28253 | | 28253-GBN2-60A | BUSH KICK SPINDLE | BUSH KICK SPINDLE | 1 | |
| 28281 | | 28281-GBN2-60A | SPRING KICK RETURN | SPRING KICK RETURN | 1 | |
| 90412 | | 90412-3K29-001 | WASHER THRUST 10M/M | WASHER THRUST10MM | 1 | |
| 90426 | | 90426-KNBN-901 | WASHER SPECIAL 12MM | WASHER SPECIAL 12MM | 1 | |
| 90451 | | 90451-GBN2-601 | WASHER KICK SPINDLE | WASHER KICK SPINDLE | 1 | |
| 94001 | | 94001-12280-0S | NUT HEX 12MM | NUT HEX 12MM | 1 | |
| 94511 | | 94511-14000 | CIR CLIP EX 14 | CIRCLIP EX 14 | 1 | |



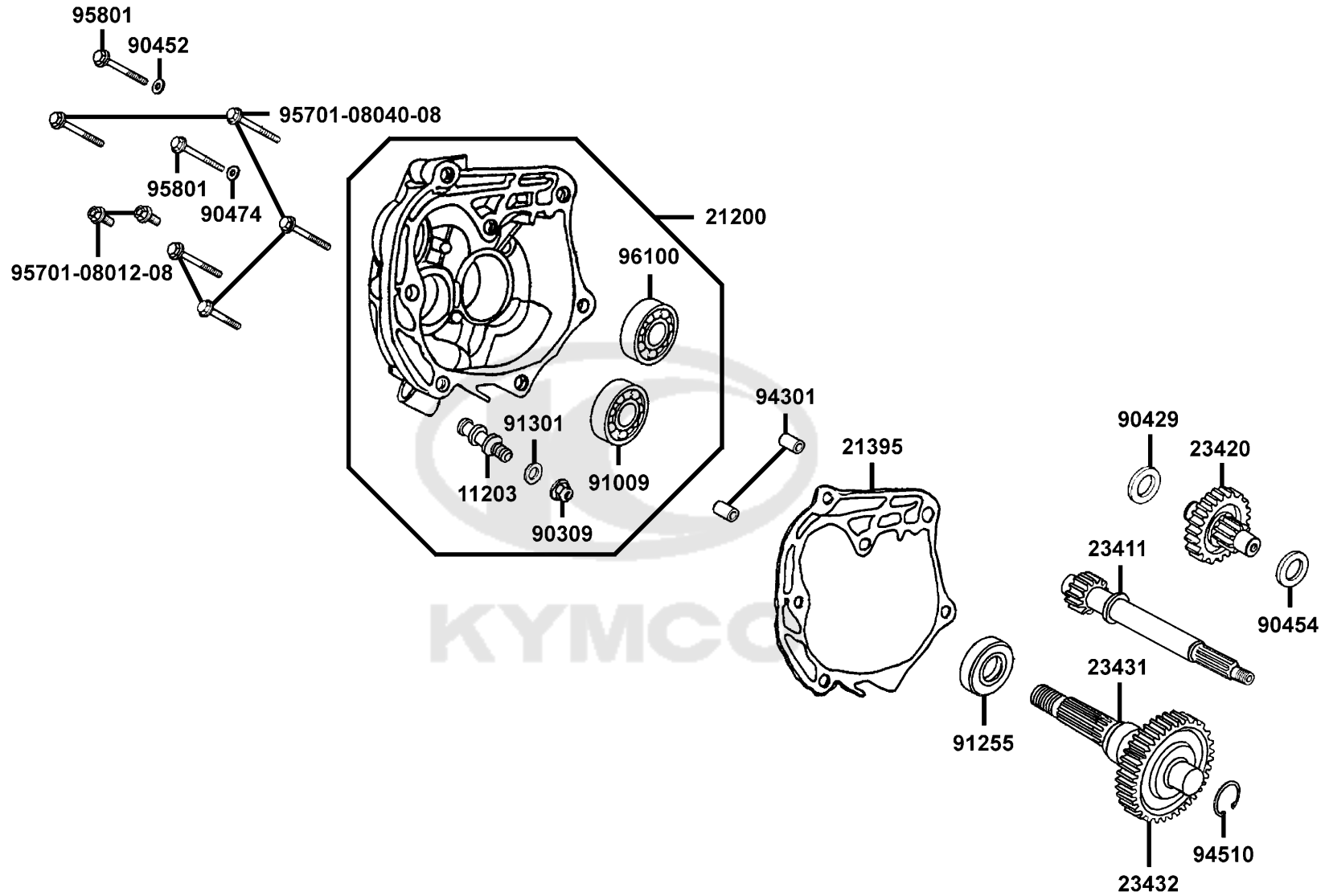
| Sales mark | Ref no | Part no | Description | Reg description | Regd no | E07 |
|------------|--------|----------------|-------------------------|-------------------------|---------|-----|
| 22100 | | 22100-GAR1-751 | CLUTCH OUTER | CLUTCH OUTER | 1 | |
| 22300 | | 22300-KXCX-900 | PLATE ASSY DRIVE | PLATE ASSY DRIVE | 1 | |
| 22350 | | 22350-GKAK-930 | PLATE COMP DRIVE | PLATE COMP DRIVE | 1 | |
| 22401 | | 22401-GBG2-900 | SPRING CLUTCH | SPRING CLUTCH | 3 | |
| 22530 | | 22530-GKAK-930 | WEIGHT CLUTCH | WEIGHT CLUTCH | 3 | |
| 22804 | | 22804-1H48-001 | RUBBER CLUTCH DAMPER | RUBBER CLUTCH DAMPER | 3 | |
| 2301A | | 2301A-KXCX-900 | PULLEY ASSY DRIVEN | PULLEY ASSY DRIVEN | 1 | |
| 23100 | | 23100-KXCX-900 | BELT DRIVE | BELT DRIVE | 1 | |
| 23200 | | 23200-GAR1-751 | FACE ASSY DRIVEN | FACE ASSY DRIVEN | 1 | |
| 23220 | | 23220-KXCX-900 | FACE COMP MOVBLE DRIVEN | FACE COMP MOVBLE DRIVEN | 1 | |
| 23225 | | 23225-GAR1-751 | PIN GUIDE | PIN GUIDE | 3 | |
| 23233 | | 23233-GHE8-001 | SPG DRIVEN FACE | SPG DRIVEN FACE | 1 | |
| 23237 | | 23237-GAR1-881 | COLLAR SEAL | COLLAR SEAL | 1 | |
| 23238 | | 23238-GFY6-941 | COLLAR SPG | COLLAR SPG | 1 | |
| 90202 | | 90202-1G87-001 | NUT SPECIAL 28MM | NUT SPECIAL 28MM | 1 | |
| 90442 | | 90442-0D44-001 | WASHER THRUST 6M | 6M/M THRUST WASHER | 3 | |
| 90454 | | 90454-GBB2-001 | CIRCLIP 6MM | CIRCLIP 6MM | 3 | |
| 91001 | | 91001-GGA7-70A | BRG RADIAL BALL 6901U | BRG RADIAL BALL 6901U | 1 | |
| 91103 | | 91103-GAR1-004 | BRG NEEDLE 17*25*18 WS | BRG NEEDLE 17*25*18 WS | 1 | |
| 91103 | | 91103-GAR1-00A | BRG NEEDLE 17*25*18 WS | BRG NEEDLE 17*25*18 WS | 1 | |



| Sales mark | Ref no | Part no | Description | Reg description | Regd no | E07 |
|---|--------|----------------|------------------|------------------|---------|------------|
| 91211 | | 91211-GHK8-014 | OIL SEAL 34*39*3 | OIL SEAL 34*39*3 | 2 | |
| 91301 | | 91301-KEA5-742 | O-RING 36*1.5 | O-RING 36*1.5 | 1 | |
| 91302 | | 91302-PAK9-004 | O-RING 39.8*2.2 | O-RING 39.8*2.2 | 1 | |
| 94050 | | 94050-10080 | NUT FLANGE 10MM | NUT FLANGE 10MM | 1 | |
| 94520 | | 94520-24000 | CIR CLIP IN 24 | CIR CLIP IN 24 | 1 | |
|  | | | | | | |



| Sales mark | Ref no | Part no | Description | Reg description | Regd no | E08 |
|----------------|--------|-------------------|-------------------------|-------------------------|---------|------------|
| 11203 | | 11203-KHG8-301 | PIN BRAKE SHOE ANCHOR | PIN BRAKE SHOE ANCHOR | 1 | |
| 21200 | | 21200-KXCX-305 | CASE COMP MISSION | CASE COMP MISSION | 1 | |
| 21395 | | 21395-KXCX-900 | GASKET MISSION CASE | GASKET MISSION CASE | 1 | |
| 23411 | | 23411-GLZ0-001 | DRIVE SHAFT | DRIVE SHAFT | 1 | |
| 23420 | | 23420-GAR1-901 | SHAFT COMP COUNTER | SHAFT COMP COUNTER | 1 | |
| 23431 | | 23431-KXCX-900 | SHAFT FINAL | SHAFT FINAL | 1 | |
| 23432 | | 23432-GLW0-901 | GEAR FINAL | GEAR FINAL | 1 | |
| 90309 | | 90309-KLF0-004-SY | NUT FLANGE 8MM | NUT FLANGE 8MM | 1 | |
| 90429 | | 90429-GBN2-004 | WASHER SIDE 14MM | WASHER SIDE 14MM | 1 | |
| 90452 | | 90452-1G07-001 | WASHER THRUST 16.5M/M | WASHER THRUST 16.5M/M | 1 | |
| 90454 | | 90454-3L50-001 | WASHER THRUST 14MM | WASHER THRUST 14MM | 1 | |
| 90474 | | 90474-3C33-001 | WASHER 8MM | WASHER 8MM | 1 | |
| 91009 | | 91009-GLE0-004 | BRG BALL RADIAL 6004 UU | BRG BALL RADIAL 6004 UU | 1 | |
| 91255 | | 91255-GLE0-006 | OIL SEAL 27*42*7 | OIL SEAL 27*42*7 | 1 | |
| 91301 | | 91301-0C53-001 | O RING 7.5*1.5 | O RING 7.5*1.5 | 1 | |
| 94301 | | 94301-10200 | DOWEL PIN 10*20 | DOWEL PIN 10*20 | 2 | |
| 94510 | | 94510-20000 | CIR CLIP EX 20 | CIR CLIP EX 20 | 1 | |
| 95701-08012-08 | | 95701-08012-08 | BOLT FLANGE 8*12 | BOLT FLANGE 8*12 | 2 | |
| 95701-08040-08 | | 95701-08040-08 | BOLT FLANGE 8*40 | BOLT FLANGE 8*40 | 5 | |
| 95801 | | 95801-08035-08 | BOLT FLANGE 8*35 | BOLT FLANGE 8*35 | 2 | |

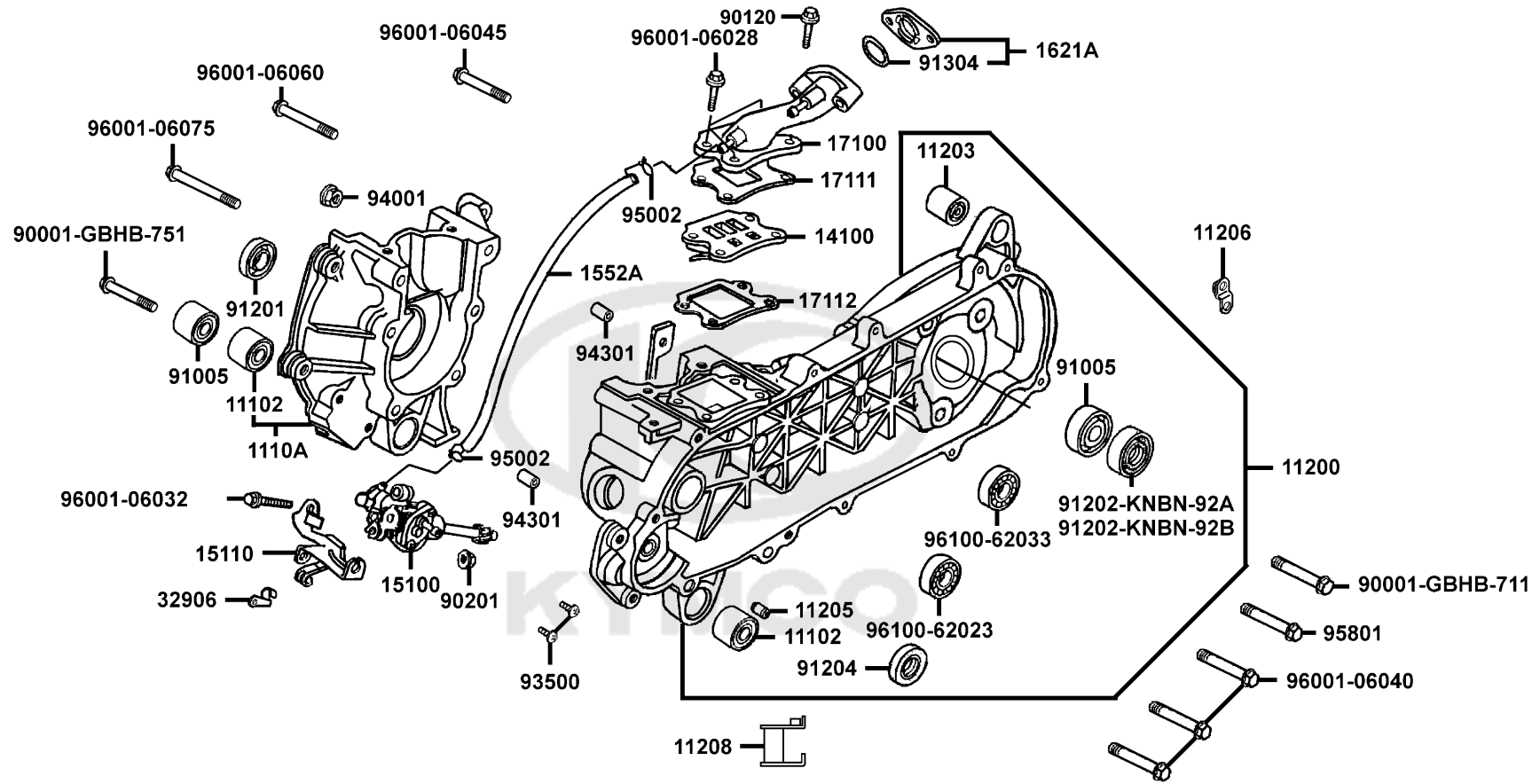


| Sales mark | Ref no | Part no | Description | Reg description | Regd no | E08 |
|------------|--------|---------|-------------|-----------------|---------|------------|
|------------|--------|---------|-------------|-----------------|---------|------------|

| | | | | | | |
|-------|----------------|----------------------|----------------------|--|---|--|
| 96100 | 96100-62013-00 | BRG BALL RADIAL 6201 | BRG BALL RADIAL 6201 | | 1 | |
|-------|----------------|----------------------|----------------------|--|---|--|

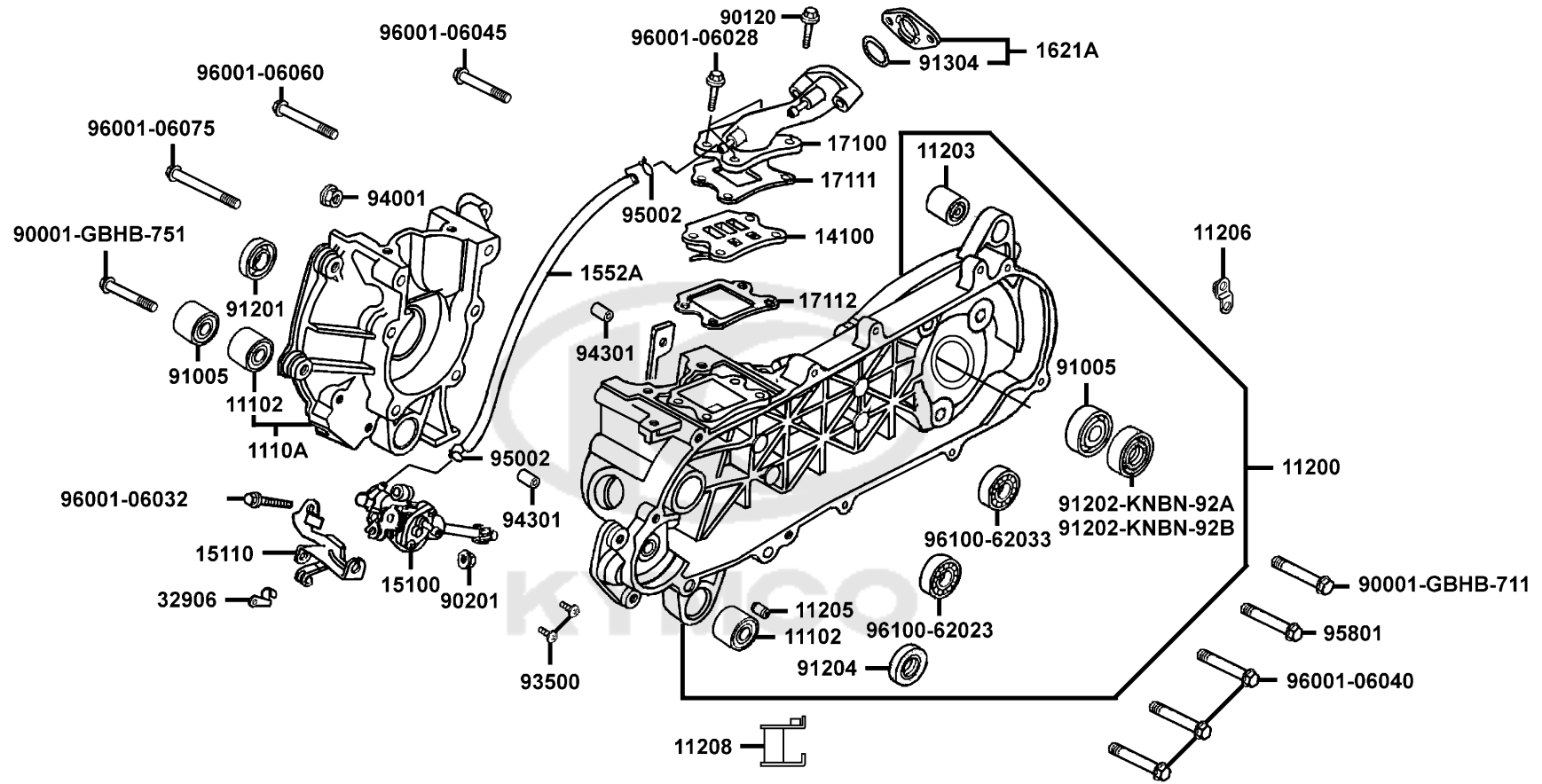


Crankcase OIL PUMP



| Sales mark | Ref no | Part no | Description | Reg description | Regd no | E09 |
|----------------|--------|----------------|--------------------------------|--------------------------------|---------|------------|
| 11102 | | 11102-GLW0-004 | RUBBER BUSH ENG HANGER | RUBBER BUSH ENG HANGER | 2 | |
| 1110A | | 1110A-GAR1-941 | CRANK CASE COMP RIGHT | CRANK CASE COMP RIGHT | 1 | |
| 11200 | | 11200-KXCX-306 | CRANK CASE ASSY LEFT | CRANK CASE ASSY LEFT | 1 | |
| 11203 | | 11203-GGC7-301 | UNDER RUBBER BUSH REAR CUSHION | UNDER RUBBER BUSH REAR CUSHION | 1 | |
| 11205 | | 11205-GHAH-004 | BUSH 8*12*8 | BUSH 8*12*8 | 1 | |
| 11206 | | 11206-KXCX-E00 | STAY RR FENDER | STAY RR FENDER | 1 | |
| 11208 | | 11208-KXCX-901 | CLAMP BRAKE WIRE | CLAMP BRAKE WIRE | 1 | |
| 14100 | | 14100-GAR1-941 | VALVE COMP REED | VALVE COMP REED | 1 | |
| 15100 | | 15100-GAR1-C00 | OIL PUMP ASSY | OIL PUMP ASSY | 1 | |
| 15110 | | 15110-GGS7-901 | SET PLATE COMP | SET PLATE COMP | 1 | |
| 1552A | | 1552A-GAR1-E00 | TUBE ASSY OIL PASS | TUBE ASSY OIL PASS | 1 | |
| 1621A | | 1621A-GMAM-000 | INSULATOR ASSY CARB | INSULATOR ASSY CARB | 1 | |
| 17100 | | 17100-GAR1-E00 | PIPE COMP INLET | PIPE COMP INLET | 1 | |
| 17111 | | 17111-GLW0-001 | GASKET INLET PIPE A | GASKET INLET PIPE A | 1 | |
| 17112 | | 17112-GLW0-001 | GASKET INLET PIPE B | GASKET INLET PIPE B | 1 | |
| 32906 | | 32906-GBR2-701 | CLIP ACG CORD | CLIP ACG CORD | 1 | |
| 90001-GBHB-711 | | 90001-GBHB-711 | BOLT FLANGE SHF 6*40 | BOLT FLANGE SHF 6*40 | 1 | |
| 90001-GBHB-751 | | 90001-GBHB-751 | BOLT FLANGE SHF 6*45 | BOLT FLANGE SHF 6*45 | 1 | |
| 90120 | | 90120-GAR1-J00 | SOCKET BOLT SPECIAL 6*28 | SOCKET BOLT SPECIAL 6*28 | 1 | |
| 90201 | | 90201-GBR2-001 | NUT SPECIAL 6MM | NUT SPECIAL 6MM | 1 | |

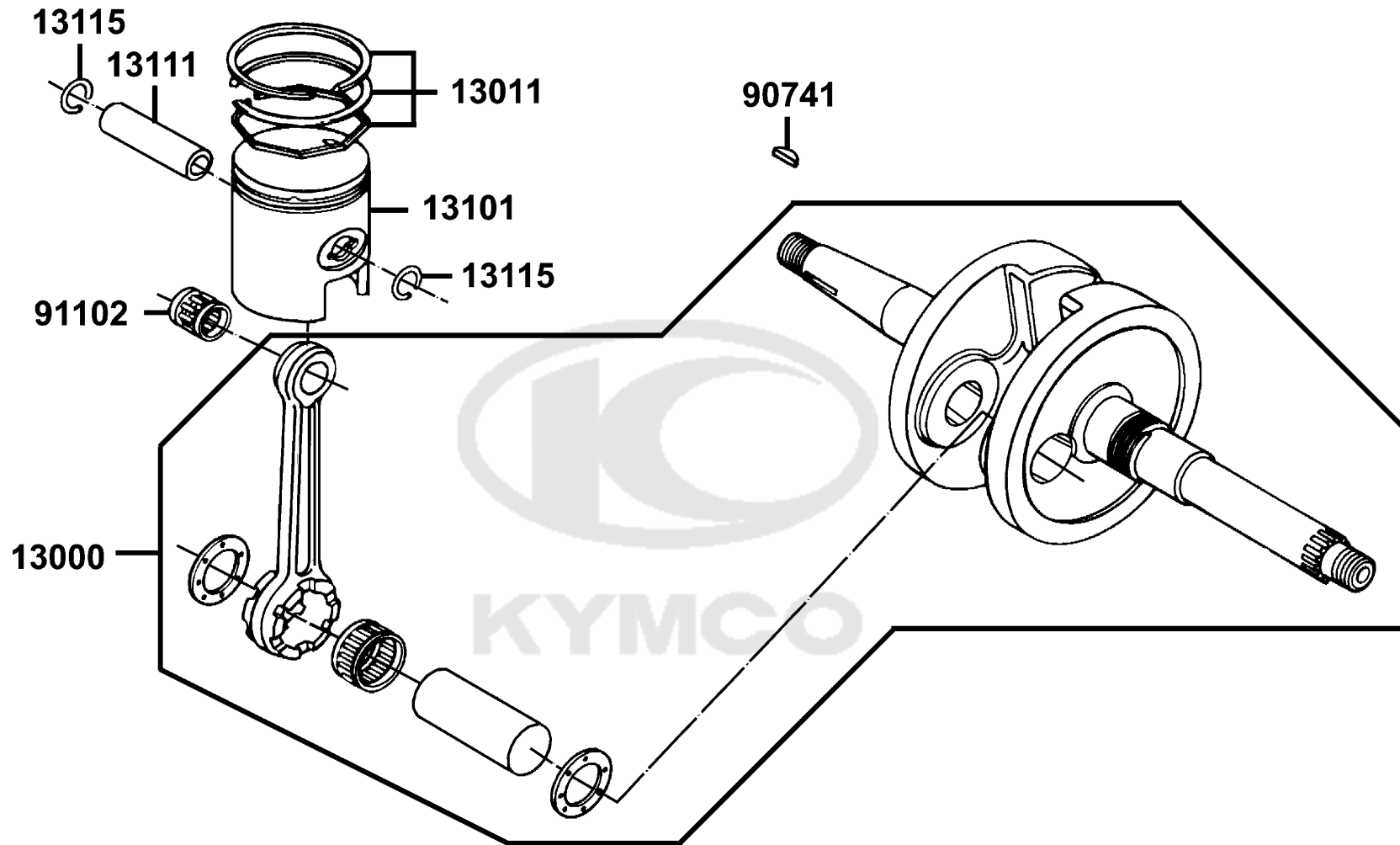
Crankcase OIL PUMP



| Sales mark | Ref no | Part no | Description | Reg description | Regd no | E09 |
|----------------|--------|----------------|--------------------------|--------------------------|---------|------------|
| 91005 | | 91005-GCW3-95A | BRG BALL PADIAL 6304 SPL | BRG BALL PADIAL 6304 SPL | 2 | |
| 91201 | | 91201-KNBN-92A | OIL SEAL 15.6*25.5*7 | OIL SEAL 15.6*25.5*7 | 1 | |
| 91202-KNBN-92A | | 91202-KNBN-92A | OIL SEAL 20*31*7 | OIL SEAL 20*31*7 | 1 | |
| 91202-KNBN-92B | | 91202-KNBN-92B | OIL SEAL 20*31*7 | OIL SEAL 20*31*7 | 1 | |
| 91204 | | 91204-GBN2-006 | OIL SEAL 17*30*5 | OIL SEAL 17*30*5 | 1 | |
| 91304 | | 91304-GLB0-911 | O RING 20.6*1.9 | O RING 20.6*1.9 | 1 | |
| 93500 | | 93500-05012-0H | SCREW PAN 5*12 | SCREW PAN 5*12 | 2 | |
| 94001 | | 94001-06080-0S | NUT HEX 6MM | NUT HEX 6MM | 1 | |
| 94301 | | 94301-08200 | PIN DOWEL 8*20 | PIN DOWEL 8*20 | 2 | |
| 95002 | | 95002-02650 | CLIP B6.5 TUBE | CLIP B6.5 TUBE | 2 | |
| 95801 | | 95801-06040-08 | BOLT FLANGE 6*40 | BOLT FLANGE 6*40 | 1 | |
| 96001-06028 | | 96001-06028-08 | BOLT FLANGE SH 6*28 | BOLT FLANGE SH 6*28 | 3 | |
| 96001-06032 | | 96001-06032-08 | BOLT FLANGE SH 6*32 | BOLT FLANGE SH 6*32 | 1 | |
| 96001-06040 | | 96001-06040-08 | BOLT FLANGE 6*40 | BOLT FLANGE 6*40 | 3 | |
| 96001-06045 | | 96001-06045-08 | BOLT FLANGE SH 6*45 | BOLT FLANGE SH 6*45 | 1 | |
| 96001-06060 | | 96001-06060-08 | BOLT FLANGE SH 6*60 | BOLT FLANGE SH 6*60 | 1 | |
| 96001-06075 | | 96001-06075-08 | BOLT FLANGE SH 6*75 | BOLT FLANGE SH 6*75 | 1 | |
| 96100-62023 | | 96100-62023-00 | BRG BALL RADIAL 6202 | BRG BALL RADIAL 6202 | 1 | |
| 96100-62033 | | 96100-62033-00 | BEARING BALL RADIAL 6203 | BEARING BALL RADIAL 6203 | 1 | |

E10

CrankshaftPiston

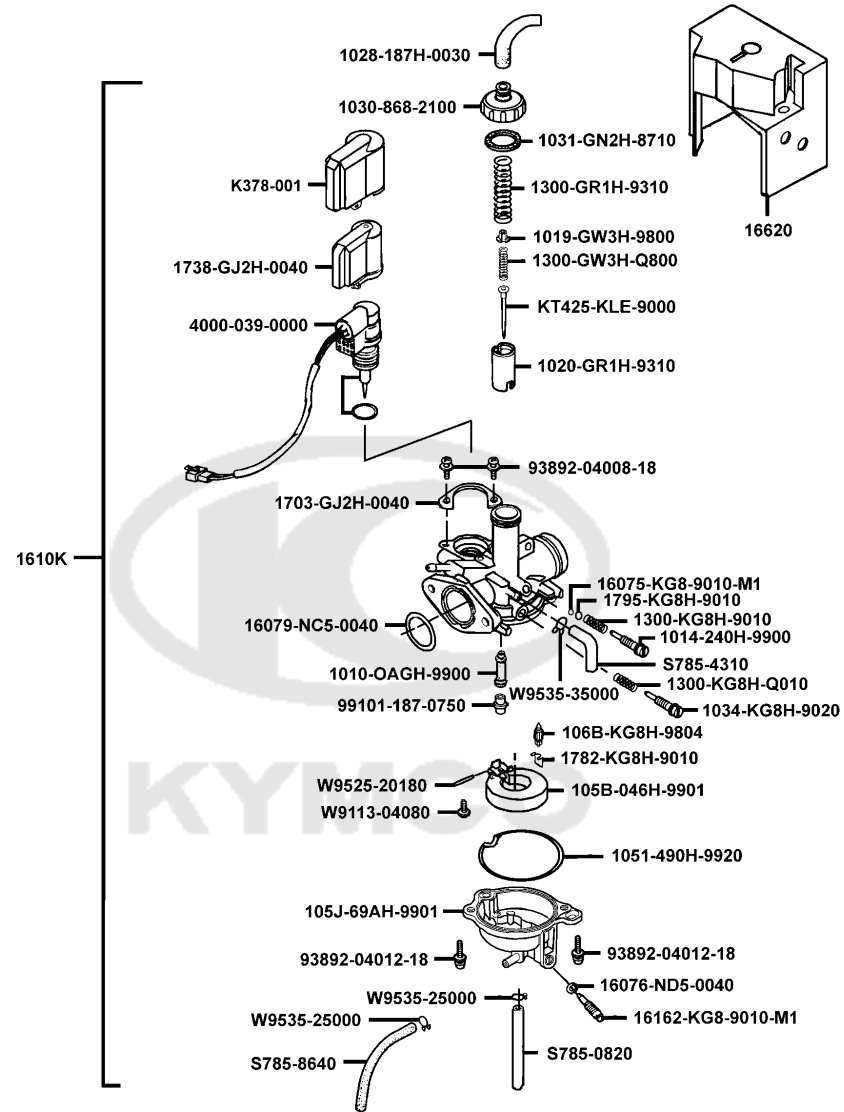


| Sales mark | Ref no | Part no | Description | Reg description | Regd no | E10 |
|------------|--------|----------------|----------------------|----------------------|---------|------------|
| 13000 | | 13000-GAR1-960 | SHAFT COMP CRANK | SHAFT COMP CRANK | 1 | |
| 13011 | | 13011-GLW0-90A | PISTON RING SET | PISTON RING SET | 1 | |
| 13101 | | 13101-GLW0-901 | PISTON | PISTON | 1 | |
| 13111 | | 13111-1F66-001 | PIN PISTON | PIN PISTON | 1 | |
| 13115 | | 13115-1F56-001 | CLIP PISTON PIN 12MM | CLIP PISTON PIN 12MM | 2 | |
| 90741 | | 90741-0E35-001 | KEY WOODRUFF | KEY WOODRUFF | 1 | |
| 91102 | | 91102-GLW0-009 | BRG CON-ROD S. E. | BRG CON-ROD S. E. | 1 | |

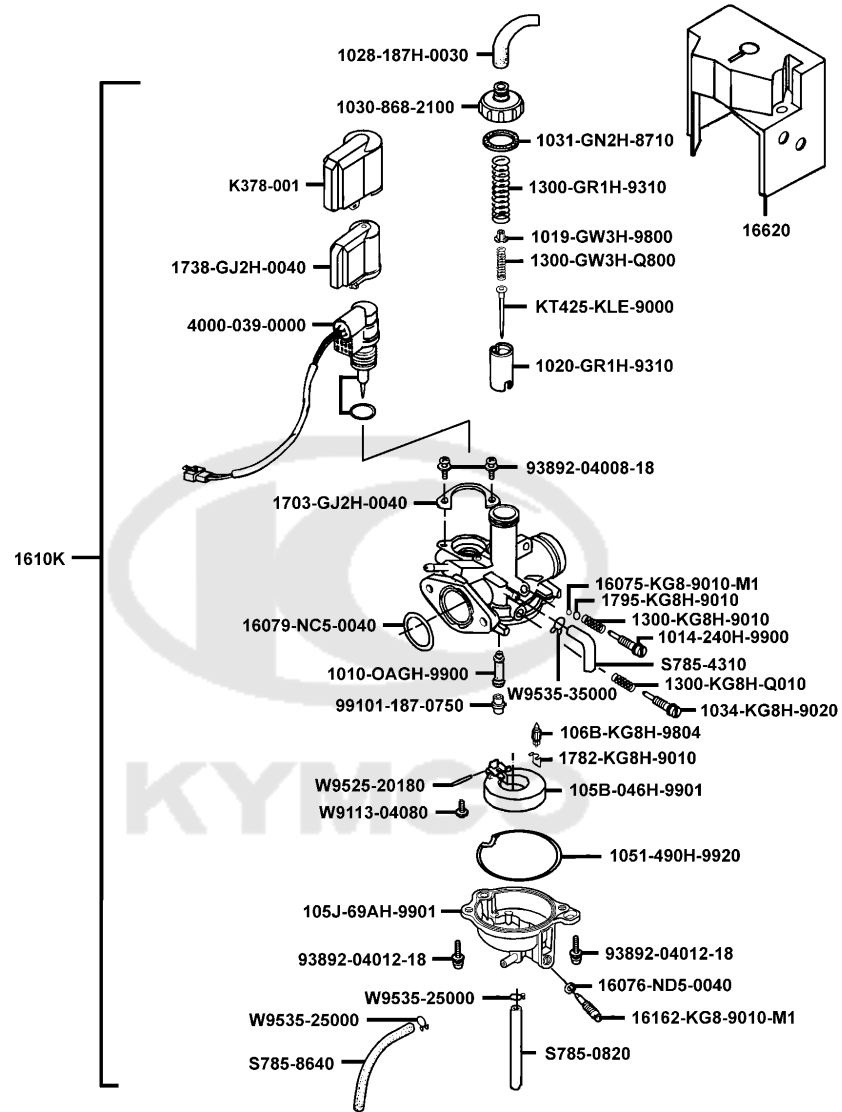


E11

Carburetor



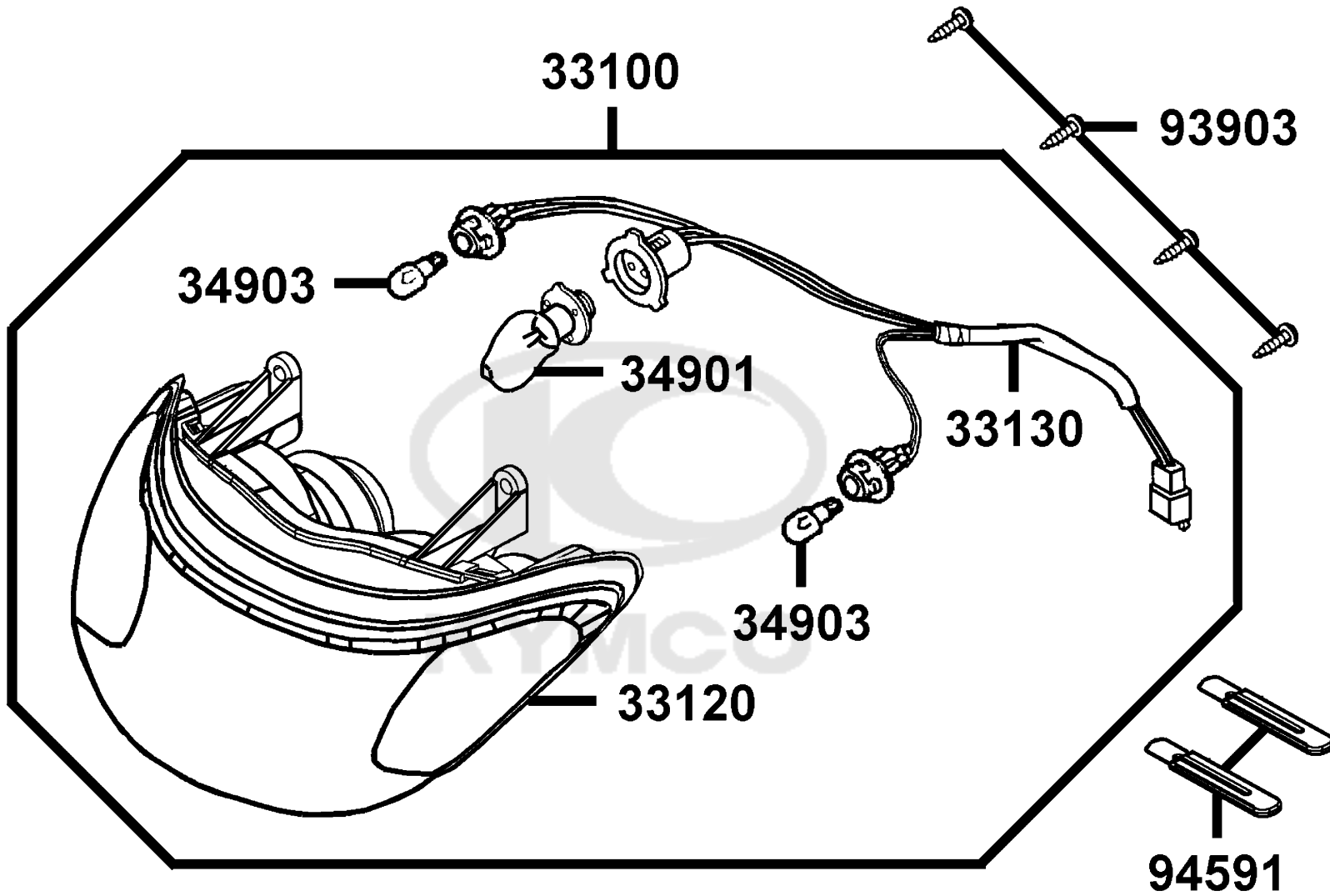
| Sales mark | Ref no | Part no | Description | Reg description | Regd no | E11 |
|------------|-------------------|-------------------|------------------------|------------------------|---------|-----|
| | 1010-OAGH-9900 | 1010-OAGH-9900 | NEEDLE JET | NEEDLE JET | 1 | |
| | 1014-240H-9900 | 1014-240H-9900 | SCREW ADJUST | SCREW ADJUST | 1 | |
| | 1019-GW3H-9800 | 1019-GW3H-9800 | VALVE PLATE | VALVE PLATE | 1 | |
| | 1020-GR1H-9310 | 1020-GR1H-9310 | THROTTLE VALVE | THROTTLE VALVE | 1 | |
| | 1028-187H-0030 | 1028-187H-0030 | CABLE SEALING CAP | CABLE SEALING CAP | 1 | |
| | 1030-868-2100 | 1030-868-2100 | TOP COMP | TOP COMP | 1 | |
| | 1031-GN2H-8710 | 1031-GN2H-8710 | TOP GASKET | TOP GASKET | 1 | |
| | 1034-KG8H-9020 | 1034-KG8H-9020 | SCREW STOP | SCREW STOP | 1 | |
| | 1051-490H-9920 | 1051-490H-9920 | FLOAT CHAMBER GASKET | FLOAT CHAMBER GASKET | 1 | |
| | 105B-046H-9901 | 105B-046H-9901 | FLOAT COMP | FLOAT COMP | 1 | |
| | 105J-69AH-9901 | 105J-69AH-9901 | FLOAT CHAMER BODY COMP | FLOAT CHAMER BODY COMP | 1 | |
| | 106B-KG8H-9804 | 106B-KG8H-9804 | FLOAT VALVE COMP | FLOAT VALVE COMP | 1 | |
| | 1300-GR1H-9310 | 1300-GR1H-9310 | SPG COMPR | SPG COMPR | 1 | |
| | 1300-GW3H-Q800 | 1300-GW3H-Q800 | SPG COMPR | SPG COMPR | 1 | |
| | 1300-KG8H-9010 | 1300-KG8H-9010 | COMPR SPG | COMPR SPG | 1 | |
| | 1300-KG8H-Q010 | 1300-KG8H-Q010 | COMPR SPG | COMPR SPG | 1 | |
| | 16075-KG8-9010-M1 | 16075-KG8-9010-M1 | -RING | -RING | 1 | |
| | 16076-ND5-0040 | 16076-ND5-0040 | O RING | O RING | 1 | |
| | 16079-NC5-0040 | 16079-NC5-0040 | O-RING | O-RING | 1 | |
| | 1610K | 1610K-KCX-EZO | CARBURETOR ASSY | CARBURETOR ASSY | 1 | |



| Sales mark | Ref no | Part no | Description | Reg description | Regd no | E11 |
|------------|-------------------|-------------------|------------------|-----------------|---------|------------|
| | 16162-KG8-9010-M1 | 16162-KG8-9010-M1 | DRAIN SCREW PAN | DRAIN SCREW PAN | 1 | |
| | 16620 | 16620-KEB7-E00 | CAP CARBURETOR | CAP CARBURETOR | 1 | |
| | 1703-GJ2H-0040 | 1703-GJ2H-0040 | SET PLATE | SET PLATE | 1 | |
| | 1738-GJ2H-0040 | 1738-GJ2H-0040 | HOLDER CAP | HOLDER CAP | 1 | |
| | 1782-KG8H-9010 | 1782-KG8H-9010 | CLIP | CLIP | 1 | |
| | 1795-KG8H-9010 | 1795-KG8H-9010 | WASHER PLAIN | WASHER PLAIN | 1 | |
| | 4000-039-0000 | 4000-039-0000 | AUTO BY-ST ASSY | AUTO BY-ST ASSY | 1 | |
| | 93892-04008-18 | 93892-04008-18 | SCREW WASHER 4*8 | SCREW WASHER | 2 | |
| | 93892-04012-18 | 93892-04012-18 | SCREW WASHER | SCREW WASHER | 2 | |
| | 99101-187-0750 | 99101-187-0750 | MAIN JET #75 | MAIN JET #75 | 1 | |
| | K378-001 | K378-001 | CAP ASSY | CAP ASSY | 1 | |
| | KT425-KLE-9000 | KT425-KLE-9000 | JET NEEDLE COMP | JET NEEDLE COMP | 1 | |
| | S785-0820 | S785-0820 | PIPE RUBBER | PIPE RUBBER | 1 | |
| | S785-4310 | S785-4310 | PIPE RUBBER | PIPE RUBBER | 1 | |
| | S785-8640 | S785-8640 | PIPE RUBBER | PIPE RUBBER | 1 | |
| | W9113-04080 | W9113-04080 | SCREW PLAT | SCREW PLAT | 1 | |
| | W9525-20180 | W9525-20180 | ARM PIN | ARM PIN | 1 | |
| | W9535-25000 | W9535-25000 | TUBE CLIP | TUBE CLIP | 2 | |
| | W9535-35000 | W9535-35000 | CLIP | CLIP | 1 | |

F01

Head Light

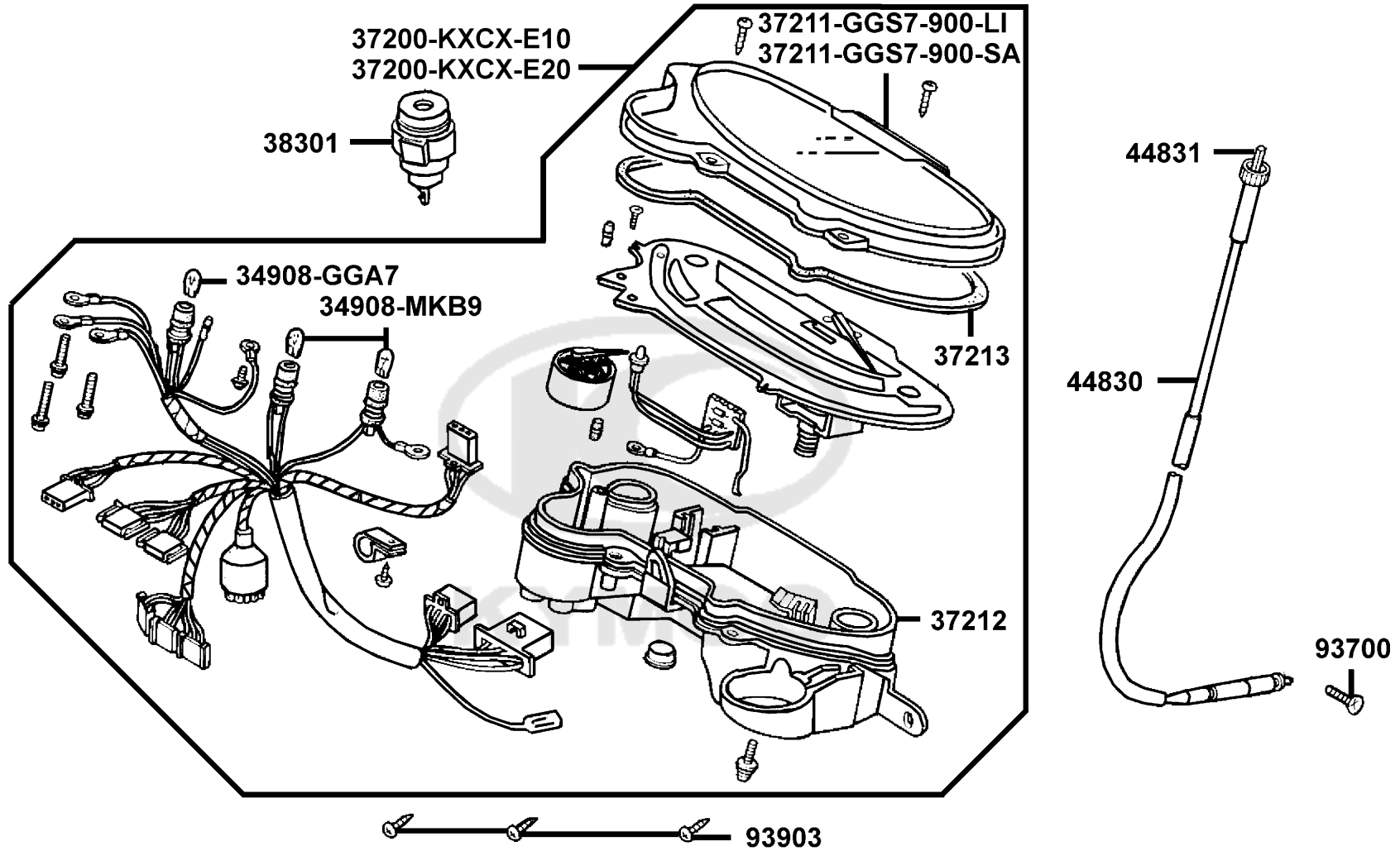


| Sales mark | Ref no | Part no | Description | Reg description | Regd no | F01 |
|------------|--------|----------------|----------------------------|----------------------------|---------|------------|
| 33100 | | 33100-KKDK-E00 | LIGHT ASSY HEAD & POSITION | LIGHT ASSY HEAD & POSITION | 1 | |
| 33120 | | 33120-KKDK-E00 | UNIT HEAD LIGHT | UNIT HEAD LIGHT | 1 | |
| 33130 | | 33130-KKDK-E00 | SOCKET COMP | SOCKET COMP | 1 | |
| 34901 | | 34901-KBAB-900 | BULB HEAD LIGHT | BULB HEAD LIGHT | 1 | |
| 34903 | | 34903-KPCP-900 | BULB POSITION | BULB POSITION | 2 | |
| 93903 | | 93903-34320 | SCREW TAPPING 4*12 | SCREW TAPPING 4*12 (C) | 4 | |
| 94591 | | 94591-25000 | CLIP BIND | CLIP BIND | 2 | |



F02

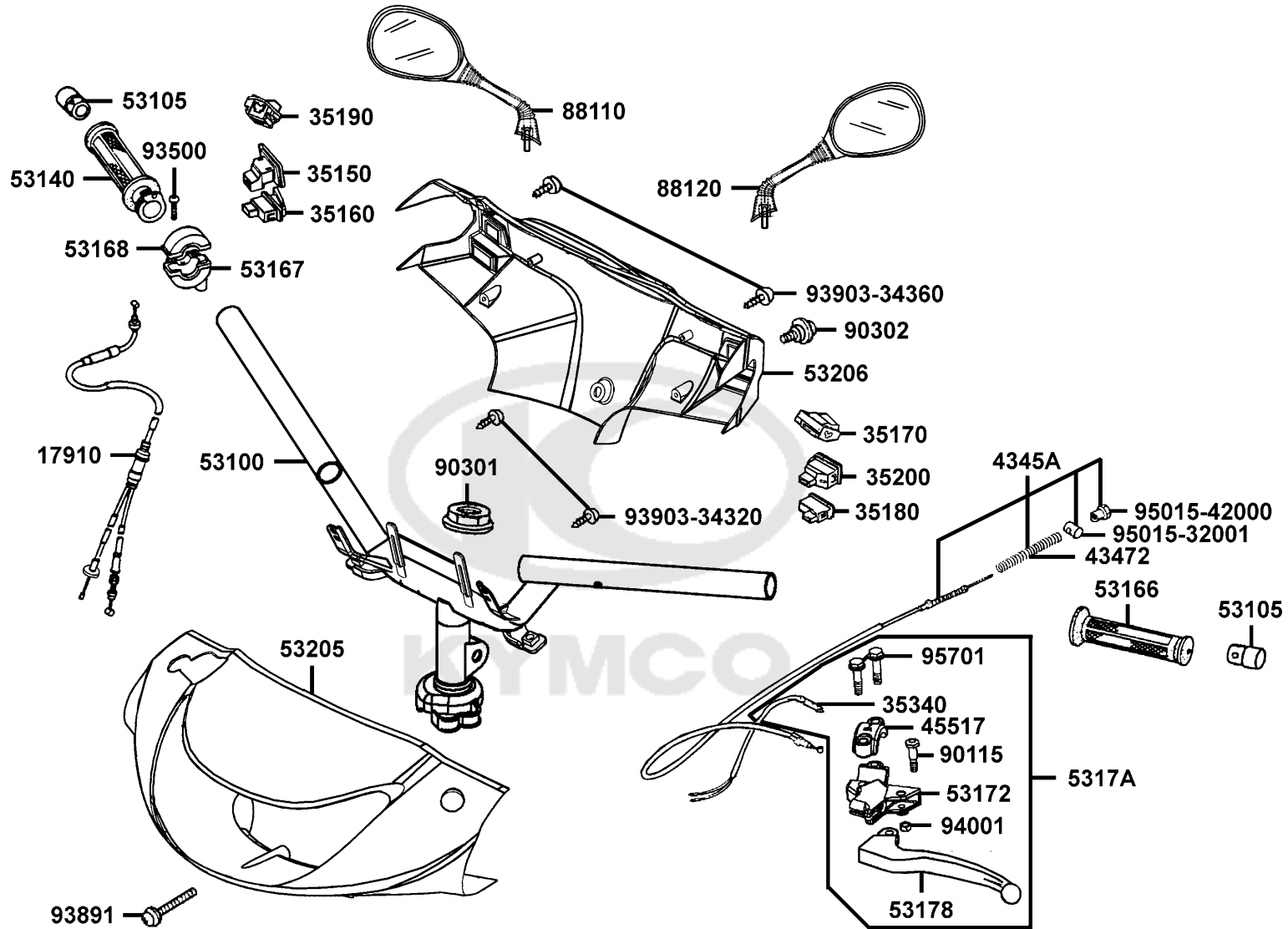
Head Light



| Sales mark | Ref no | Part no | Description | Reg description | Regd no | F02 |
|------------|-------------------|-------------------|--------------------------|----------------------|---------|------------|
| | 34908-GGA7 | 34908-GGA7-70A | BULB WEDGE BASE 12V*3.4W | BULB WEDGE BASE | 1 | |
| | 34908-MKB9 | 34908-MKB9-87A | BULB WEDGE BASE | BULB WEDGE BASE | 2 | |
| | 37200-KXCX-E10 | 37200-KXCX-E10 | METER ASSY SPEED | METER ASSY SPEED | 1 | |
| | 37200-KXCX-E20 | 37200-KXCX-E20 | METER ASSY SPEED | METER ASSY SPEED | 1 | |
| | 37211-GGS7-900-LI | 37211-GGS7-900-LI | LENS | LENS | 1 | |
| | 37211-GGS7-900-SA | 37211-GGS7-900-SA | LENS | LENS | 1 | |
| | 37212 | 37212-GGS7-900 | CASE ASSY | CASE ASSY | 1 | |
| | 37213 | 37213-GGS7-900 | PACKING | PACKING | 1 | |
| | 38301 | 38301-GGS7-005 | RELAY COMP AP WINKER | RELAY COMP AP WINKER | 1 | |
| | 44830 | 44830-KXCX-901 | CABLE COMP SPDMT | CABLE COMP SPDMT | 1 | |
| | 44831 | 44831-KXCX-900 | CABLE INNER | CABLE INNER | 1 | |
| | 93700 | 93700-05018-0H | SCREW OVAL 5*18 | SCREW OVAL 5*18 | 1 | |
| | 93903 | 93903-25320 | SCREW TAPPING 5*16 | SCREW TAPPING 5*16 | 3 | |

F03

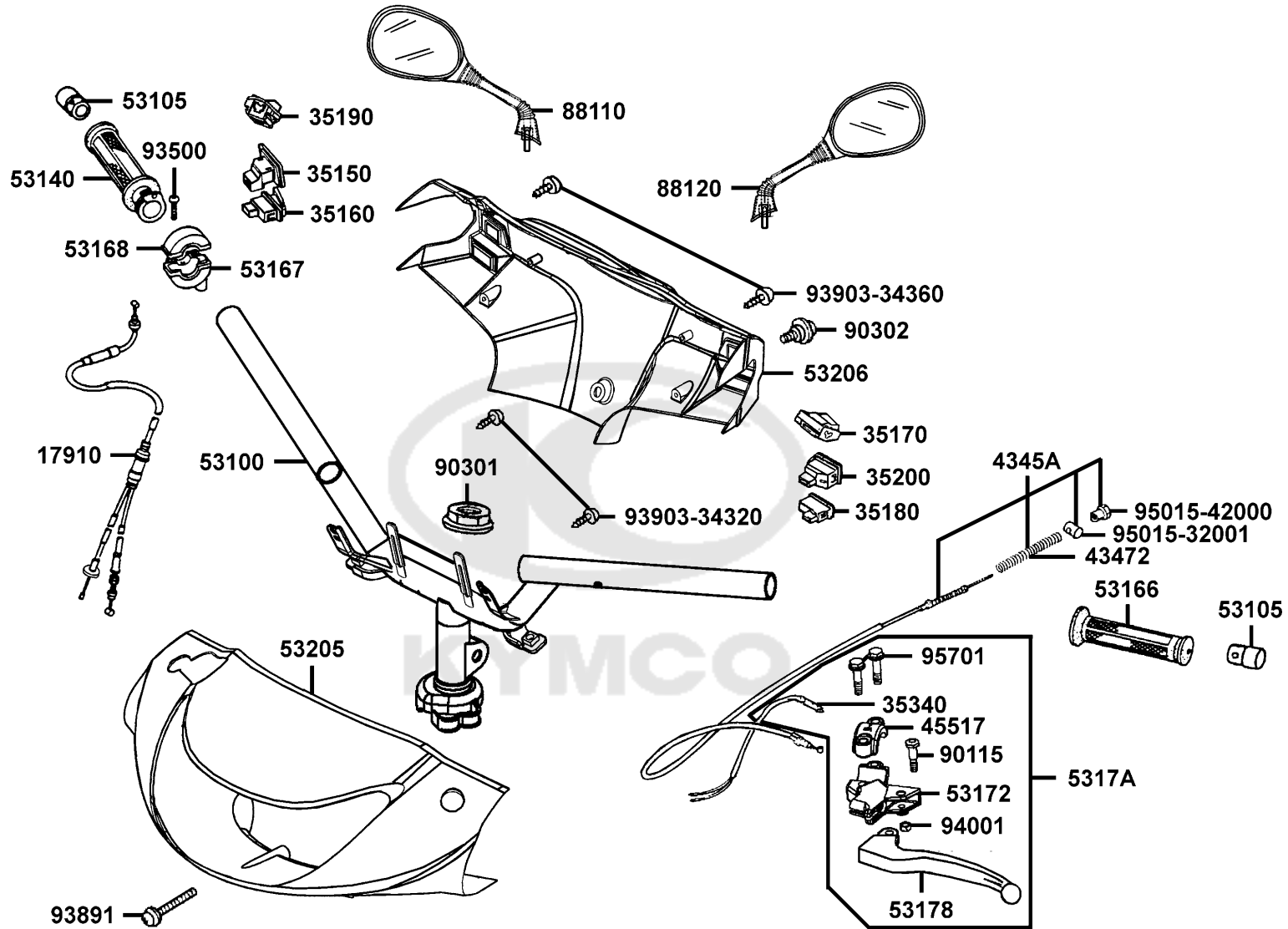
Handle Steering Handle Cover



| Sales mark | Ref no | Part no | Description | Reg description | Regd no | F03 |
|------------|--------|----------------|--------------------------|--------------------------|---------|-----|
| | 17910 | 17910-KSBS-200 | CABLE COMP THROT | CABLE COMP THROT | 1 | |
| | 35150 | 35150-GFY6-900 | SW UNIT LIGHTING | SW UNIT LIGHTING | 1 | |
| | 35160 | 35160-GFY6-900 | SW UNIT STARTER | SW UNIT STARTER | 1 | |
| | 35170 | 35170-KNBN-910 | SW UNIT DIMMER & PASSING | SW UNIT DIMMER & PASSING | 1 | |
| | 35180 | 35180-GFY6-900 | SW UNIT HORN | SW UNIT HORN | 1 | |
| | 35190 | 35190-GFY6-900 | SW UNIT HAZARD | SW UNIT HAZARD | 1 | |
| | 35200 | 35200-GFY6-910 | SW UNIT WINKER | SW UNIT WINKER | 1 | |
| | 35340 | 35340-KABA-900 | SW ASSY FR STOP | SW ASSY FR STOP | 1 | |
| | 4345A | 4345A-KXCX-901 | CABLE ASSY RR BRK | CABLE ASSY RR BRK | 1 | |
| | 43472 | 43472-1A61-001 | SPG RR BRK ARM | SPG RR BRK ARM | 1 | |
| | 45517 | 45517-GFY6-900 | HOLDER HNDL BRKT | HOLDER HNDL BRKT | 1 | |
| | 53100 | 53100-KXCX-E00 | HANDLE COMP STEERING | HANDLE COMP STEERING | 1 | |
| | 53105 | 53105-KNBN-910 | END STRG HANDLE | END STRG HANDLE | 2 | |
| ** | 53140 | 53140-KNBN-960 | GRIP COMP THROT | GRIP COMP THROT | 1 | |
| ** | 53166 | 53166-KNBN-911 | GRIP L HANDLE | GRIP L HANDLE | 1 | |
| | 53167 | 53167-GBN2-021 | HOUSING UNDER THROT | HOUSING UNDER THROT | 1 | |
| | 53168 | 53168-GBN2-021 | HOUSING UP THROT | HOUSING UP THROT | 1 | |
| | 53172 | 53172-KACA-900 | BRKT HANDLE | BRKT HANDLE | 1 | |
| ** | 53178 | 53178-KXCX-E00 | LEVER L STRG HNDL | LEVER L STRG HNDL | 1 | |
| | 5317A | 5317A-KXCX-E00 | BRKT ASSY HANDLE | BRKT ASSY HANDLE | 1 | |

F03

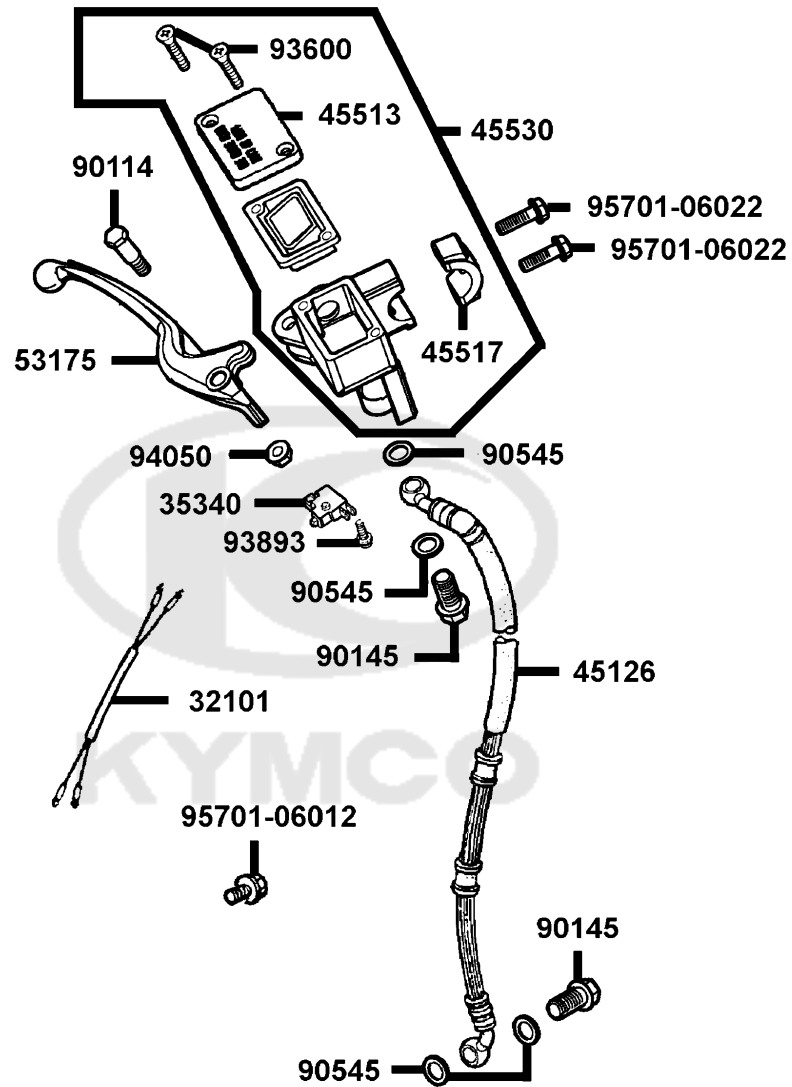
Handle Steering Handle Cover



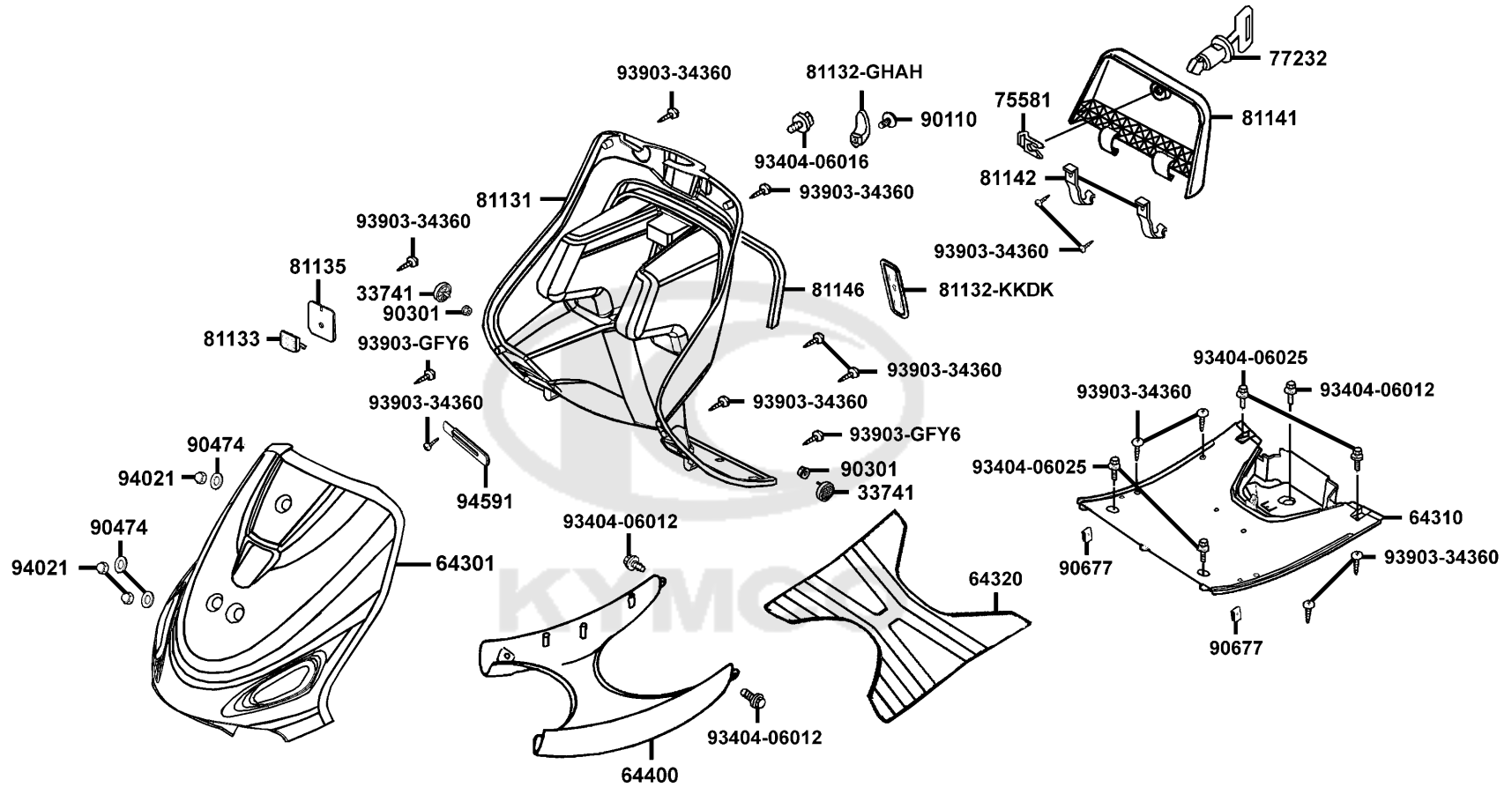
| Sales mark | Ref no | Part no | Description | Reg description | Regd no | F03 |
|------------|-------------|----------------|------------------------|------------------------|---------|-----|
| ** | 53205 | 53205-KXCX-E00 | COVER FR HANDLE | COVER FR HANDLE | 1 | |
| ** | 53206 | 53206-KACA-900 | COVER RR HANDLE | COVER RR HANDLE | 1 | |
| | 88110 | 88110-KXCX-E00 | MIRROR ASSY R BACK | MIRROR ASSY R BACK | 1 | |
| | 88120 | 88120-KXCX-E00 | MIRROR ASSY L BACK | MIRROR ASSY L BACK | 1 | |
| | 90115 | 90115-GLE0-001 | BOLT HNDL LEVER PIVOT | BOLT HNDL LEVER PIVOT | 1 | |
| | 90301 | 90301-KCAC-900 | NUT STRG STEM | NUT STRG STEM | 1 | |
| | 90302 | 90302-KNBN-900 | BOLT PAN 5*10 | BOLT PAN 5*10 | 1 | |
| | 93500 | 93500-05022-06 | SCREW PAN 5*22 | SCREW PAN 5*22 | 1 | |
| | 93891 | 93891-05025-06 | SCREW WASH 5*25 | SCREW WASH 5*25 | 1 | |
| | 93903-34320 | 93903-34320 | SCREW TAPPING 4*12 | SCREW TAPPING 4*12 (C) | 2 | |
| | 93903-34360 | 93903-34360 | SCREW TAPPING 4*12 (G) | SCREW TAPPING 4*12 | 2 | |
| | 94001 | 94001-05080-0S | NUT HEX 5MM | NUT HEX 5MM | 1 | |
| | 95015-32001 | 95015-32001 | JOINT B BRAKE ARM | JOINT B BRAKE ARM | 1 | |
| | 95015-42000 | 95015-42000 | NUT B ADJUST | NUT B ADJUST | 1 | |
| | 95701 | 95701-06025-06 | BOLT FLANGE 6*25 | BOLT WASHER 6*25 | 2 | |

F04

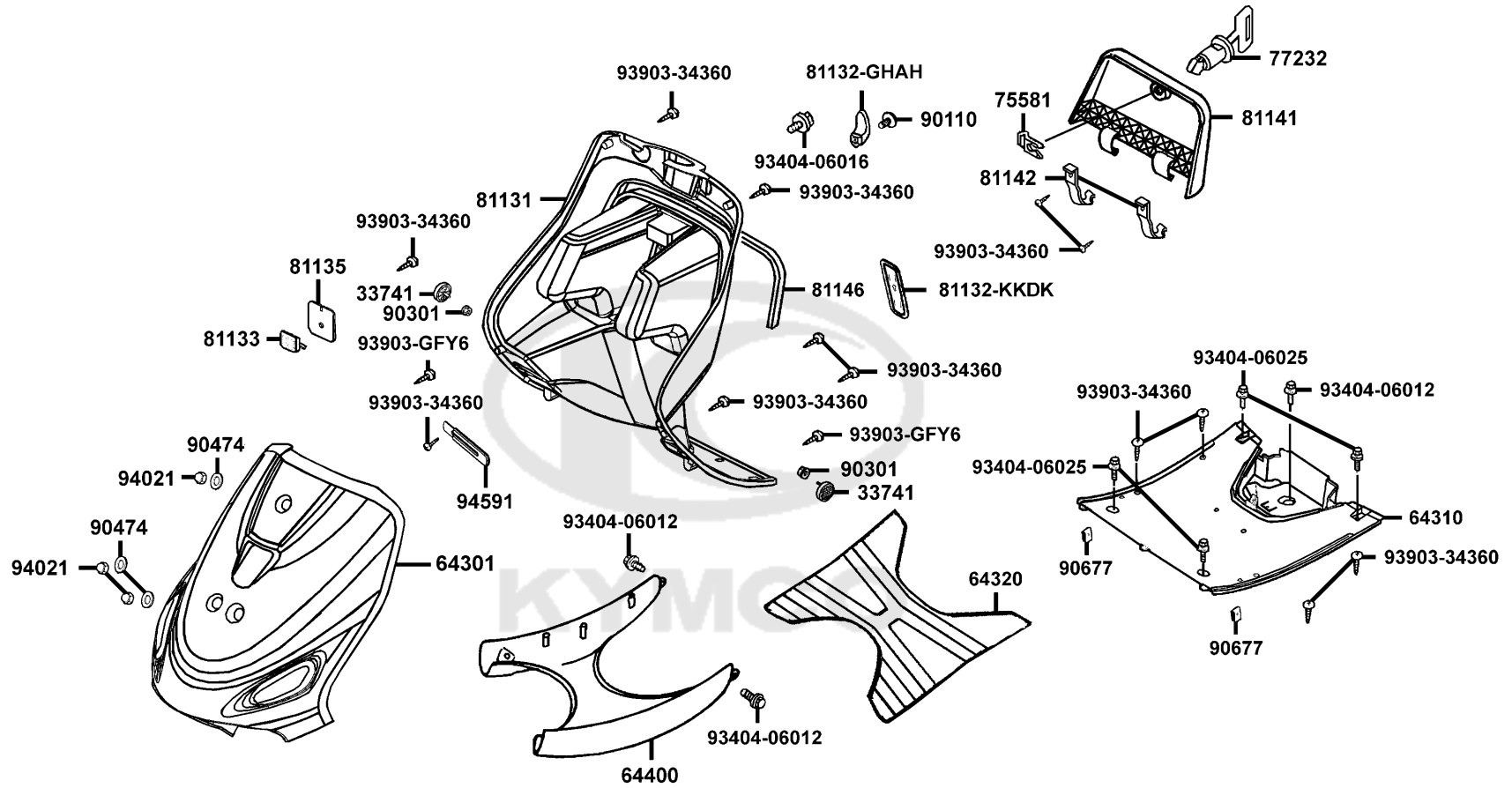
Brake Master Cylinder



| Sales mark | Ref no | Part no | Description | Reg description | Regd no | F04 |
|------------|-------------|-------------------|----------------------|----------------------|---------|------------|
| | 32101 | 32101-GFY6-901 | SUB CORD R | SUB CORD R/H | 1 | |
| | 35340 | 35340-KNBN-901 | SW ASSY FR STOP | SW ASSY FR STOP | 1 | |
| | 45126 | 45126-KXCX-E10 | HOSE ASSY FR BRK | HOSE ASSY FR BRK | 1 | |
| | 45513 | 45513-GLW0-91A | CAP MASTER CYLINDER | CAP MASTER CYLINDER | 1 | |
| | 45517 | 45517-KFAF-910 | HOLDER M/C | HOLDER M/C | 1 | |
| | 45530 | 45530-KXCX-306-US | CYLN SET FR (MASTER) | CYLN SET FR (MASTER) | 1 | |
| ** | 53175 | 53175-KXBX-E10 | LEVER R STRG HANDLE | LEVER R STRG HANDLE | 1 | |
| | 90114 | 90114-1F66-007 | BOLT HANDLE LEVER | BOLT HANDLE LEVER | 1 | |
| | 90145 | 90145-MKS9-61A | OIL BOLT 10*22 | OIL BOLT 10*22 | 2 | |
| | 90545 | 90545-3L00-001 | WASHER OIL BOLT | WASHER OIL BOLT | 4 | |
| | 93600 | 93600-04012-1G | SCREW FLAT 4*12 | SCREW FLAT 4*12 | 2 | |
| | 93893 | 93893-04012-18 | SCREW WASHER 4*12 | SCREW WASHER 4*12 | 1 | |
| | 94050 | 94050-06080 | NUT FLANGE 6MM | NUT FLANGE 6MM | 1 | |
| | 95701-06012 | 95701-06012-08 | BOLT FLANGE 6*12 | BOLT FLANGE 6*12 | 1 | |
| | 95701-06022 | 95701-06022-06 | BOLT FLANGE 6*22 | BOLT FLANGE 6*22 | 2 | |



| Sales mark | Ref no | Part no | Description | Reg description | Regd no | F05 |
|------------|-------------|-------------------|--------------------|----------------------|---------|-----|
| | 33741 | 33741-GFY6-C30 | REFLEX REFLECTOR | REFLEX REFLECTOR | 2 | |
| ** | 64310 | 64310-KACA-900 | FLOOR PANEL | FLOOR PANEL | 1 | |
| ** | 64320 | 64320-KACA-900 | MAT FLOOR | MAT FLOOR | 1 | |
| ** | 64400 | 64400-KACA-900 | COWL UNDER | COWL UNDER | 1 | |
| | 75581 | 75581-6C73-001 | SET SPG LOCK KEY | SET SPG LOCK KEY | 1 | |
| | 77232 | 77232-GLW0-315-M2 | LOCK SET FUEL LID | LOCK ASSY FUEL LID | 1 | |
| ** | 81131 | 81131-KACA-910 | LEG SHIELD | LEG SHIELD | 1 | |
| ** | 81132-GHAH | 81132-GHAH-001 | HOOK LUGGAGE | HOOK LUGGAGE | 1 | |
| ** | 81132-KKDK | 81132-KKDK-900 | LID LEG SHIELD | LID LEG SHIELD | 1 | |
| | 81133 | 81133-KNBN-901 | COVER INNER BOX | STOPPER LUGGAGE | 1 | |
| | 81135 | 81135-KGBG-900 | STAY LUGGAGE HOOK | STAY LUGGAGE HOOK | 1 | |
| ** | 81141 | 81141-KACA-900 | LID INNER BOX | LID INNER BOX | 1 | |
| | 81142 | 81142-KACA-900 | STAY INNER BOX LID | STAY INNER BOX LID | 2 | |
| | 81146 | 81146-GGS7-001 | SEAL INNER BOX | SEAL INNER BOX | 1 | |
| | 90110 | 90110-GLW0-001 | SCREW SPECIAL 6*14 | SCREW SPECIAL 6*14 | 1 | |
| | 90301 | 90301-6D34-671 | NUT FLANGE 6MM | NUT FLANGE 6MM | 2 | |
| | 90474 | 90474-7D04-000 | WASHER 6*17*23 | WASHER 6*17*23 | 3 | |
| | 90677 | 90677-GAR1-004 | NUT CLIP 5MM | NUT CLIP 5MM | 2 | |
| | 93404-06012 | 93404-06012-08 | BOLT WASHER 6*12 | BOLT WASHER 6*12 | 3 | |
| | 93404-06016 | 93404-06016-08 | BOLT WASHER 6*16 | BOLT WASHER 6*16 (C) | 1 | |



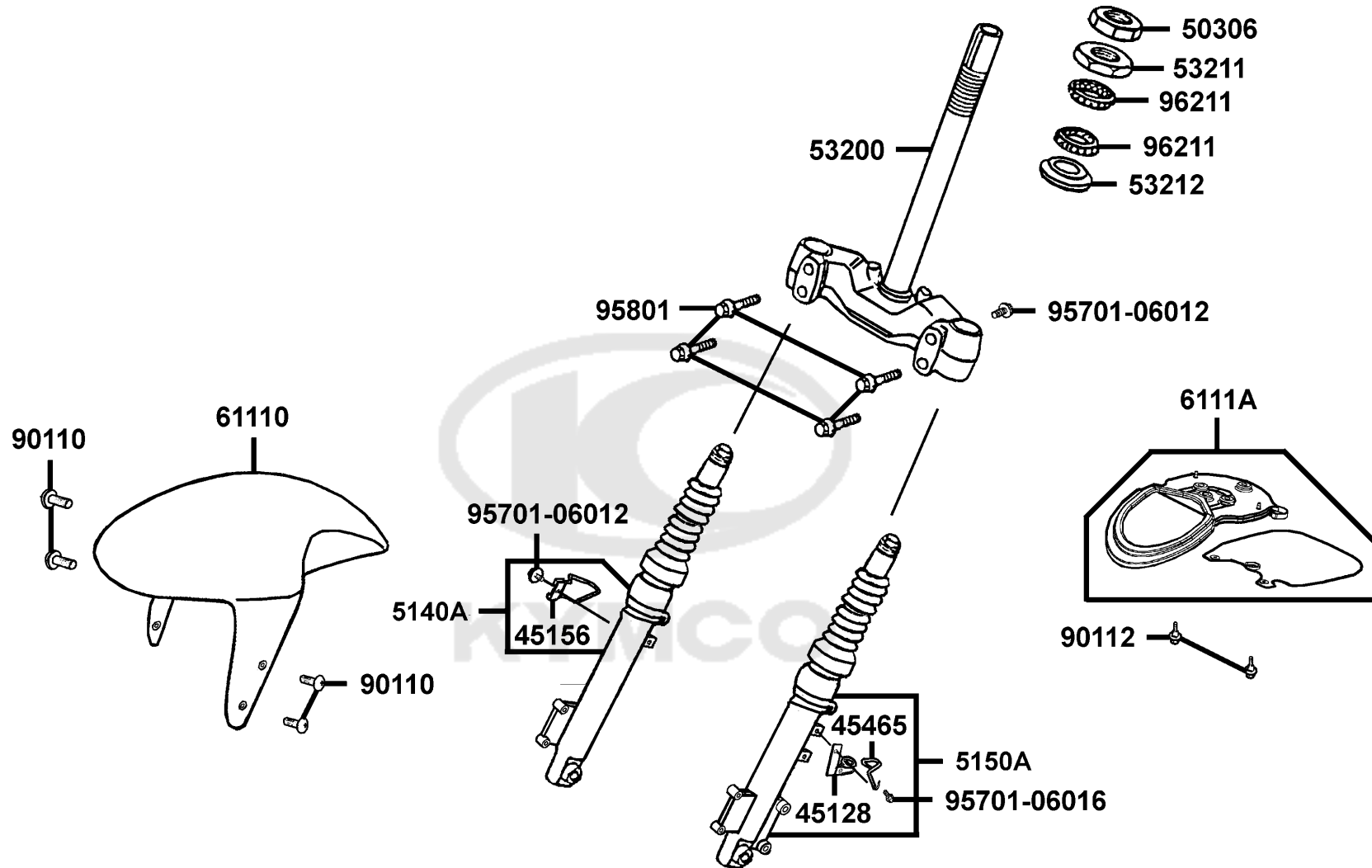
| Sales mark | Ref no | Part no | Description | Reg description | Regd no | F05 |
|------------|--------|---------|-------------|-----------------|---------|------------|
|------------|--------|---------|-------------|-----------------|---------|------------|

| | | | | | | |
|--|-------------|----------------|------------------------|--------------------|----|--|
| | 93404-06025 | 93404-06025-06 | BOLT WASHER 6*25 | BOLT WASHER 6*25 | 4 | |
| | 93903-34360 | 93903-34360 | SCREW TAPPING 4*12 (G) | SCREW TAPPING 4*12 | 13 | |
| | 93903-GFY6 | 93903-GFY6-900 | SCREW TAPPING 4*14 | SCREW TAPPING 4*14 | 2 | |
| | 94021 | 94021-06020-0S | NUT HEX CAP 6MM | NUT HEX CAP 6MM | 3 | |
| | 94591 | 94591-27000 | CLIP 2*70 | CLIP 2*70 | 1 | |



F06

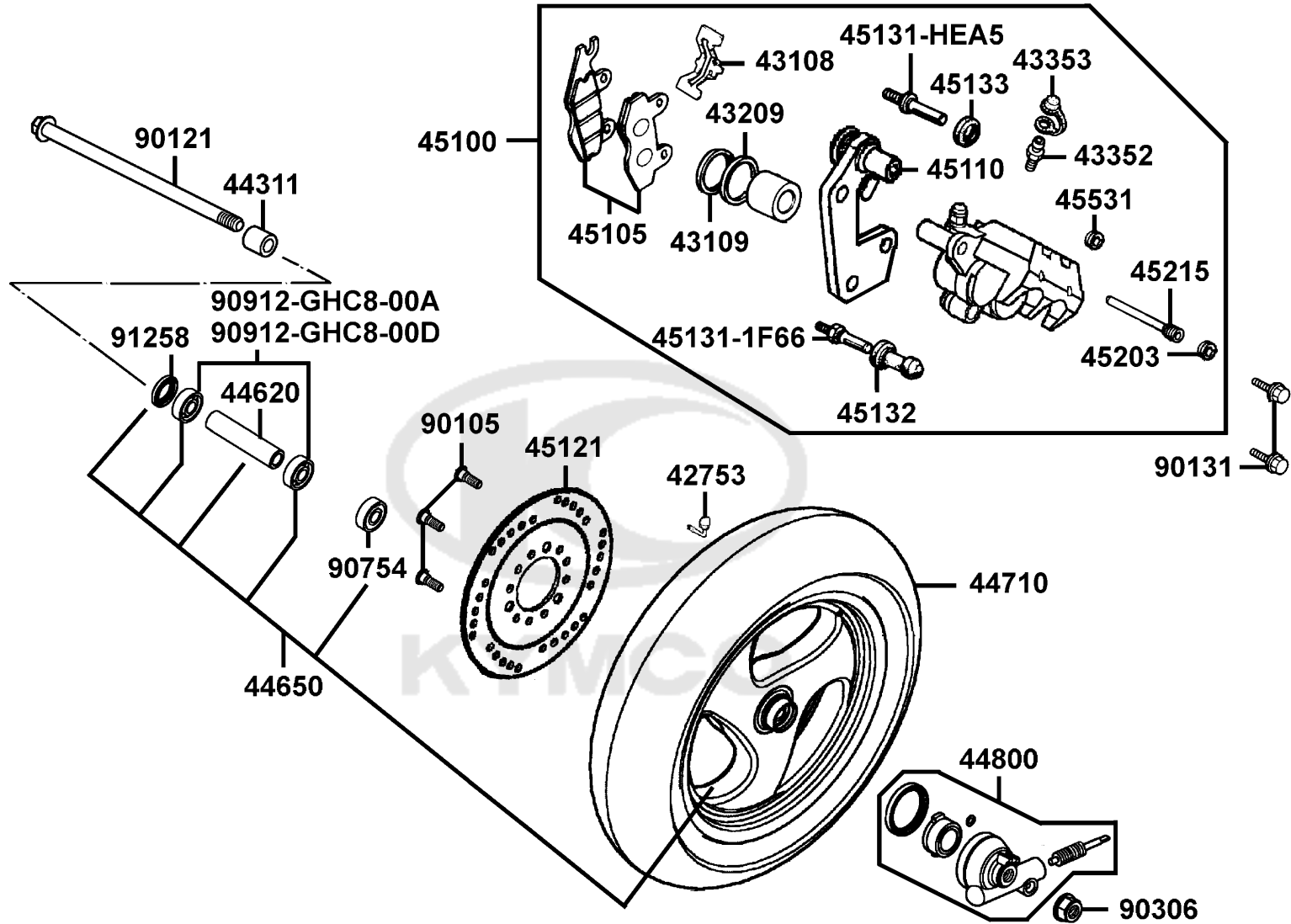
Front Cushion



| Sales mark | Ref no | Part no | Description | Reg description | Regd no | F06 |
|------------|-------------|----------------|-------------------------|-------------------------|---------|-----|
| | 45128 | 45128-KEB7-900 | CLAMPER FR BRAKE HOSE | CLAMPER FR BRAKE HOSE | 1 | |
| | 45156 | 45156-KDLD-901 | CLAMPER FR BRAKE HOSE | CLAMPER FR BRAKE HOSE | 1 | |
| | 45465 | 45465-KEB7-E00 | GUIDE HOSE BRAKE FR | GUIDE HOSE BRAKE FR | 1 | |
| | 50306 | 50306-KCAC-900 | NUT STRG STEM LOCK | NUT STRG STEM LOCK | 1 | |
| ** | 5140A | 5140A-KXCX-E00 | FORK SET R FR | FORK SET R FR | 1 | |
| ** | 5150A | 5150A-KXCX-E00 | FORK SET L FR | FORK SET L FR | 1 | |
| | 53200 | 53200-LLG7-900 | STEM COMP STRG | STEM COMP STRG | 1 | |
| | 53211 | 53211-GFY6-940 | RACE STRG TOP CONE | RACE STRG TOP CONE | 1 | |
| | 53212 | 53212-GHC8-004 | RACE (STRG BOTTOM) CONE | RACE (STRG BOTTOM) CONE | 1 | |
| ** | 61110 | 61110-KEB7-E00 | FENDER FR INNER | FENDER FR INNER | 1 | |
| | 6111A | 6111A-LLG7-900 | FENDER ASSY FR INNER | FENDER ASSY FR INNER | 1 | |
| | 90110 | 90110-KEB7-900 | SCREW SPECIAL 6*14 | SCREW SPECIAL 6*14 | 4 | |
| | 90112 | 90112-GCC3-001 | BOLT SPECIAL 5MM | BOLT SPECIAL 5MM | 2 | |
| | 95701-06012 | 95701-06012-08 | BOLT FLANGE 6*12 | BOLT FLANGE 6*12 | 2 | |
| | 95701-06016 | 95701-06016-08 | BOLT FLANGE 6*16 | BOLT FLANGE 6*16 | 1 | |
| | 95801 | 95801-08040-08 | BOLT FLANGE 8*40 | BOLT FLANGE 8*40 | 4 | |
| | 96211 | 96211-05000 | BALL STEEL 5 | BALL STEEL 5 | 55 | |

F07

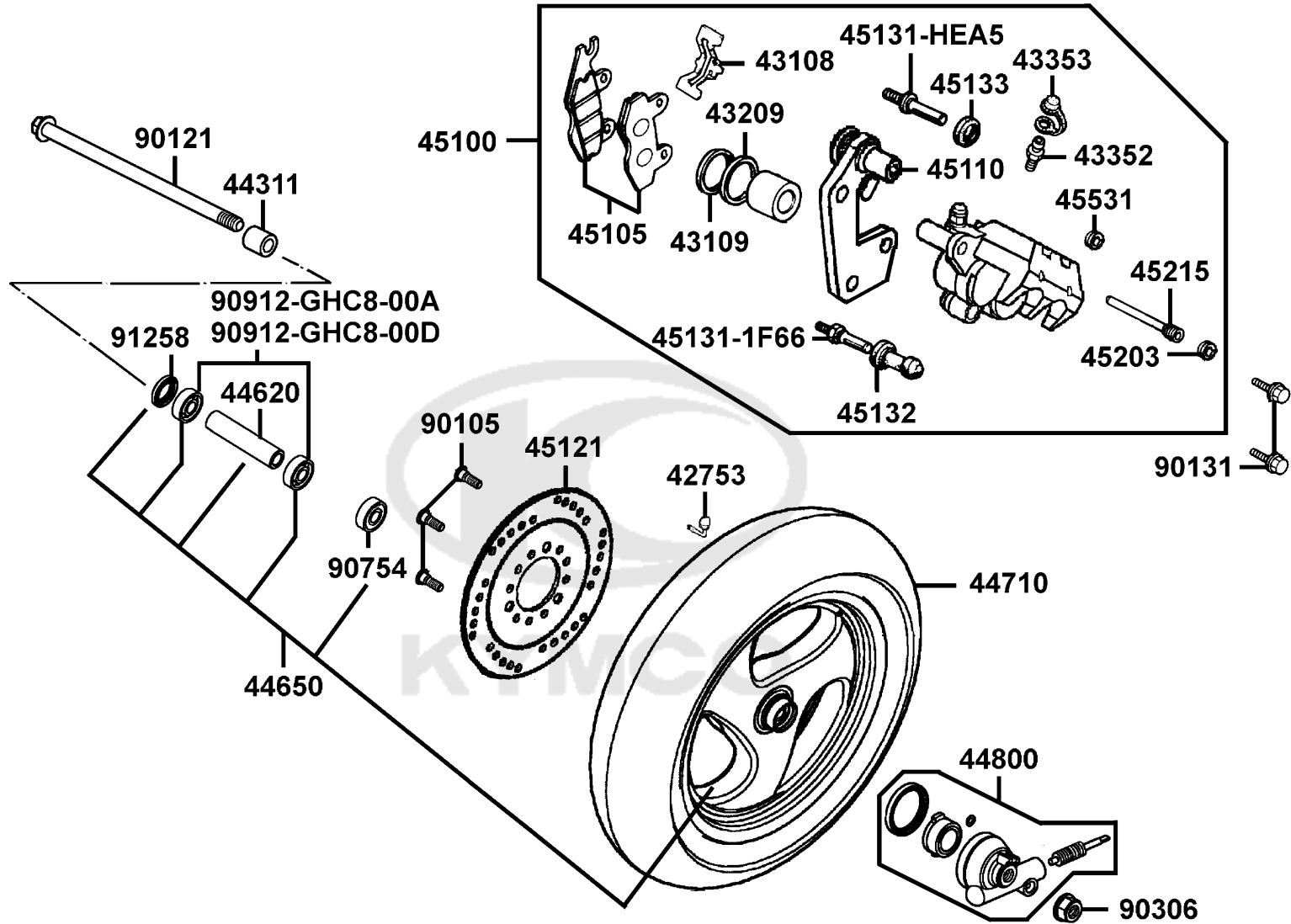
Front Wheel



| Sales mark | Ref no | Part no | Description | Reg description | Regd no | F07 |
|------------|------------|-------------------|--------------------------|--------------------------|---------|-----|
| | 42753 | 42753-0D04-900 | RIM VALVE (PVR 70) | RIM VALVE (PVR 70) | 1 | |
| | 43108 | 43108-KFS6-07A | SPRING PAD | SPRING PAD | 1 | |
| | 43109 | 43109-MCA3-007 | SEAL PISTON | SEAL PISTON | 1 | |
| | 43209 | 43209-MCA3-007 | SEAL PISTON | SEAL PISTON | 1 | |
| | 43352 | 43352-5H68-004 | SCREW BLEEDER | SCREW BLEEDER | 1 | |
| | 43353 | 43353-4A61-77A | CAP BLEEDER | CAP BLEEDER | 1 | |
| | 44311 | 44311-GLW0-911 | COLLAR FR WHEEL SIDE | COLLAR FR WHEEL SIDE | 1 | |
| | 44620 | 44620-KEB7-E00 | COLLAR FR DIST | "COLLAR,FR DIST" | 1 | |
| ** | 44650 | 44650-KEB7-315 | WHEEL SET FR | WHEEL SET FR | 1 | |
| | 44710 | 44710-KFA5-90B | TIRE ASSY FR /CHENG SHIN | TIRE ASSY FR /CHENG SHIN | 1 | |
| | 44800 | 44800-KXCX-E00 | GEAR BOX ASSY SPDMT | GEAR BOX ASSY SPDMT | 1 | |
| ** | 45100 | 45100-KXCX-E00 | CALIPER ASSY FR L | CALIPER ASSY FR L | 1 | |
| | 45105 | 45105-KXCX-305-M2 | PAD ASSY | PAD ASSY | 1 | |
| | 45110 | 45110-KXCX-E00 | BRACKET COMP FR CALIPER | BRACKET COMP FR CALIPER | 1 | |
| | 45121 | 45121-KECE-900 | DISK FR BRK | DISK FR BRK | 1 | |
| | 45131-1F66 | 45131-1F66-017 | PIN BOLT | PIN BOLT | 1 | |
| | 45131-HEA5 | 45131-HEA5-67A | PIN BOLT A | PIN BOLT A | 1 | |
| | 45132 | 45132-1F66-017 | BUSH BOOT PIN | BUSH BOOT PIN | 1 | |
| | 45133 | 45133-MCA3-007 | BOOT B | BOOT B | 1 | |
| | 45203 | 45203-MCG3-007 | PLUG PIN | PLUG PIN | 1 | |

F07

Front Wheel

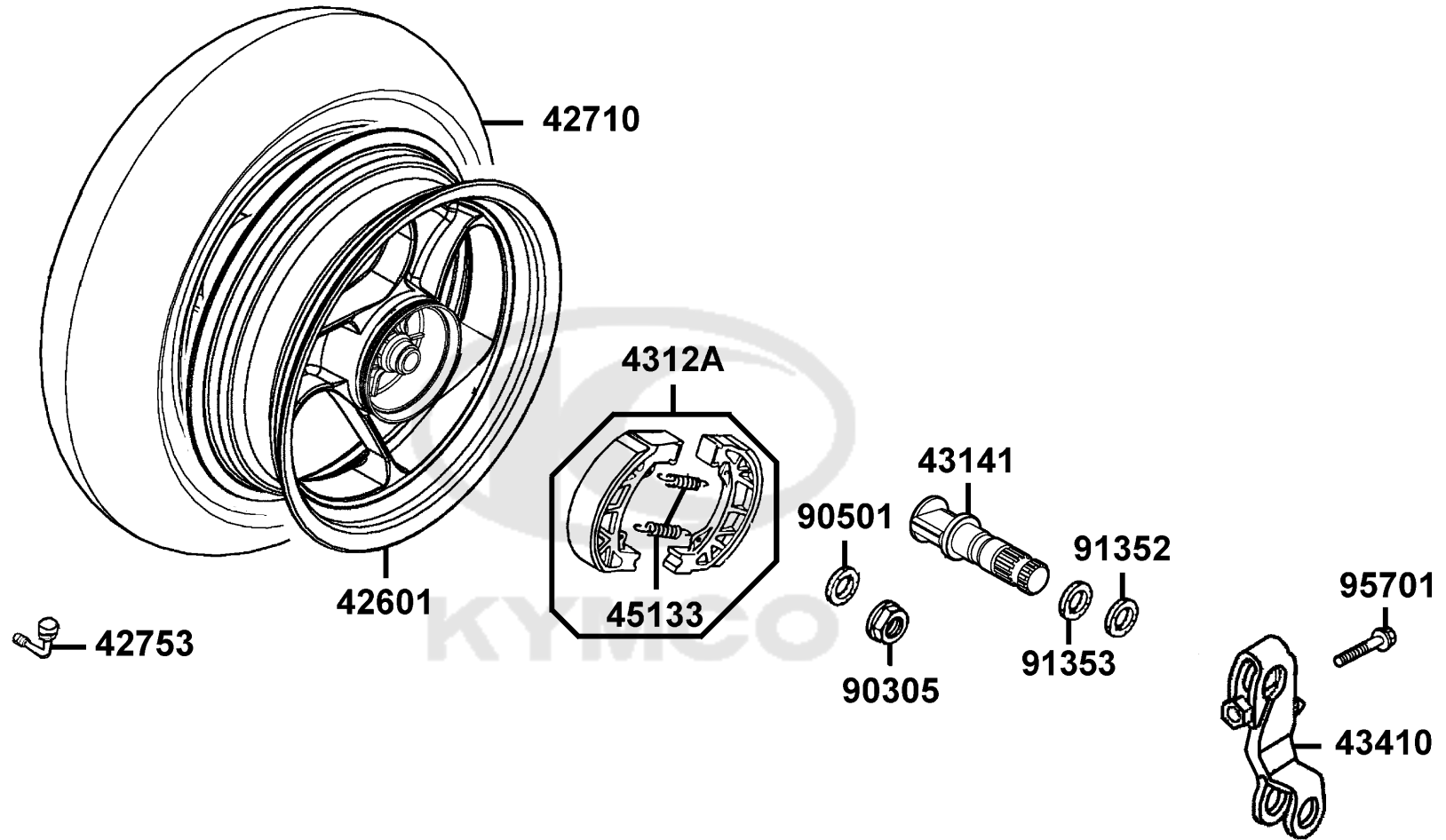


| Sales mark | Ref no | Part no | Description | Reg description | Regd no | F07 |
|----------------|--------|----------------|---------------------|---------------------|---------|------------|
| 45215 | | 45215-KCA3-73A | PIN HANGER | PIN HANGER | 1 | |
| 45531 | | 45531-GAR1-951 | PLUG | PLUG | 1 | |
| 90105 | | 90105-KCR3-001 | BOLT FR DISK 8*24 | BOLT FR DISK 8*24 | 3 | |
| 90121 | | 90121-KBE2-981 | BOLT RR FORK PIVOT | AXLE FR WHEEL | 1 | |
| 90131 | | 90131-GLW0-911 | BOLT FLANGE 8*35 | BOLT FLANGE 8*35 | 2 | |
| 90306 | | 90306-GLW0-90A | NUT FLANGE 12MM | NUT FLANGE 12MM | 1 | |
| 90754 | | 90754-GHC8-00A | SEAL DUST 20*32*5 | SEAL DUST 20*32*5 | 1 | |
| 90912-GHC8-00A | | 90912-GHC8-00A | BEARING 6201 (U) | BEARING 6201 | 2 | |
| 90912-GHC8-00D | | 90912-GHC8-00D | BEARING 6201 | BEARING 6201 | 2 | |
| 91258 | | 91258-KAM1-00A | SEAL SPDMT GEAR BOX | SEAL SPDMT GEAR BOX | 1 | |



F08

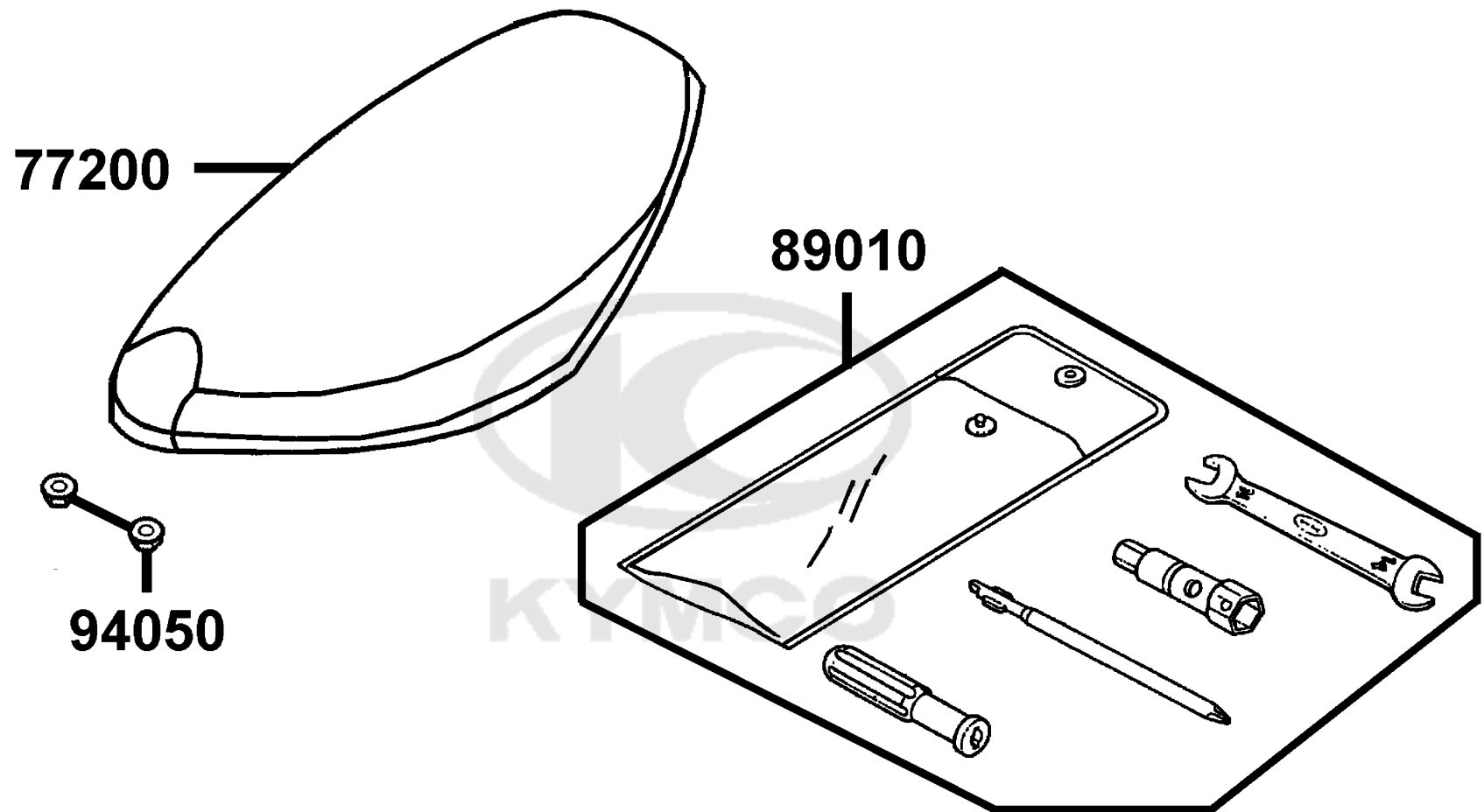
Rear Wheel



| Sales mark | Ref no | Part no | Description | Reg description | Regd no | F08 |
|------------|--------|----------------|-----------------------|-----------------------|---------|------------|
| ** | 42601 | 42601-KEB7-E0E | WHEEL COMP RR CAST | WHEEL COMP RR CAST | 1 | |
| | 42710 | 42710-KXCX-E1B | TIRE ASSY /CHENG SHIN | TIRE ASSY /CHENG SHIN | 1 | |
| | 42753 | 42753-KXCX-900 | VALVE (PVR-70B) & CAP | VALVE (PVR-70B) & CAP | 1 | |
| | 4312A | 4312A-KXCX-900 | SHOE ASSY RR BRK | SHOE ASSY RR BRAKE | 2 | |
| | 43141 | 43141-GKAK-901 | CAM RR BRAKE | CAM RR BRAKE | 1 | |
| | 43410 | 43410-KFA1-900 | ARM COMP RR BRAKE | ARM COMP RR BRAKE | 1 | |
| | 45133 | 45133-0H28-001 | SPRING BRAKE SHOE | SPRING BRAKE SHOE | 2 | |
| | 90305 | 90305-KNBN-90B | NUT U 16MM | NUT U 16MM | 1 | |
| | 90501 | 90501-KNBN-901 | WASHER 16MM | WASHER 16MM | 1 | |
| | 91352 | 91352-KHG8-83B | O-RING 11.3*1.3 | O-RING 11.3*1.3 | 1 | |
| | 91353 | 91353-GFY6-900 | O-RING 13.1*10 | O-RING 13.1*10 | 1 | |
| | 95701 | 95701-06032-08 | BOLT FLANGE 6*32 | BOLT FLANGE 6*32 | 1 | |

F09

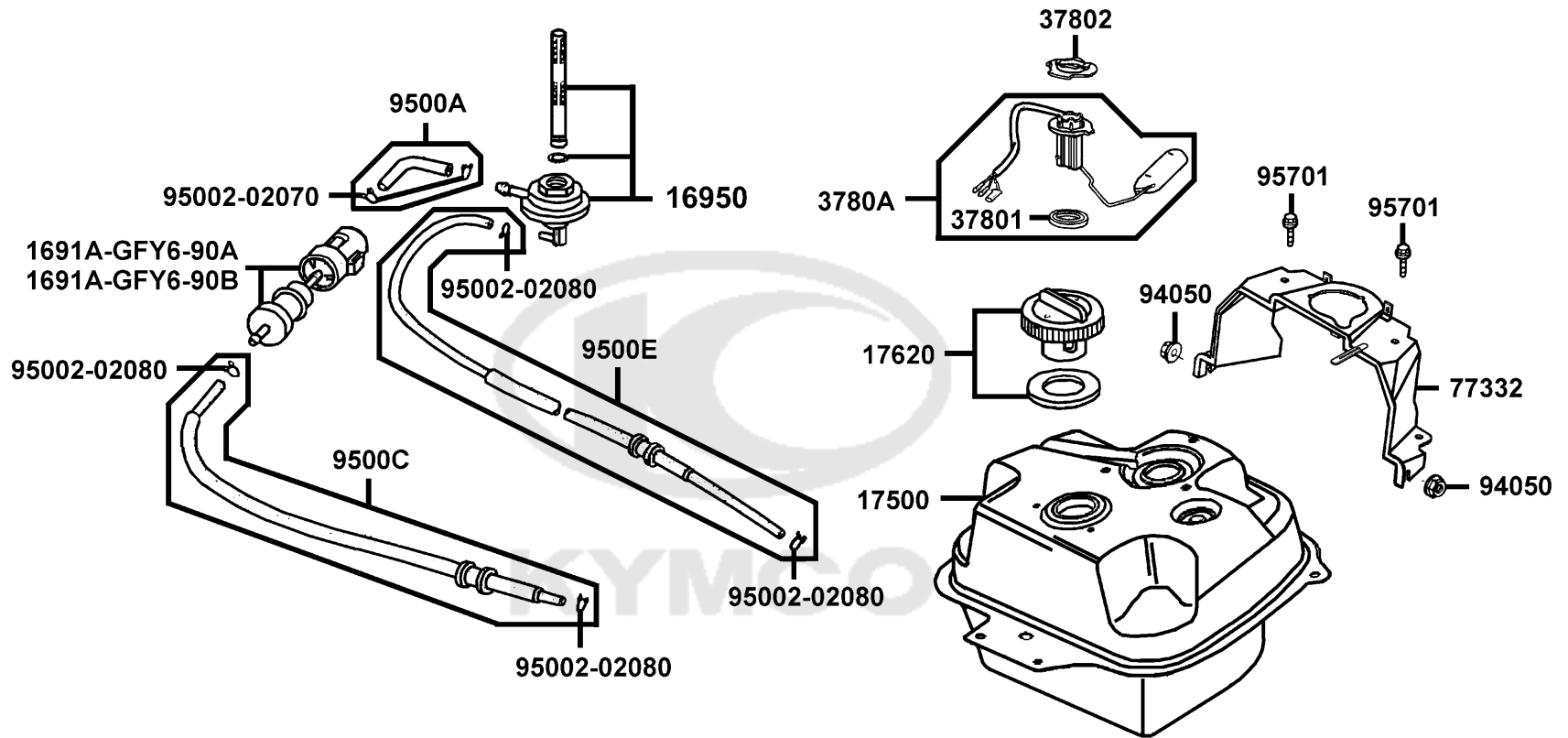
Seat



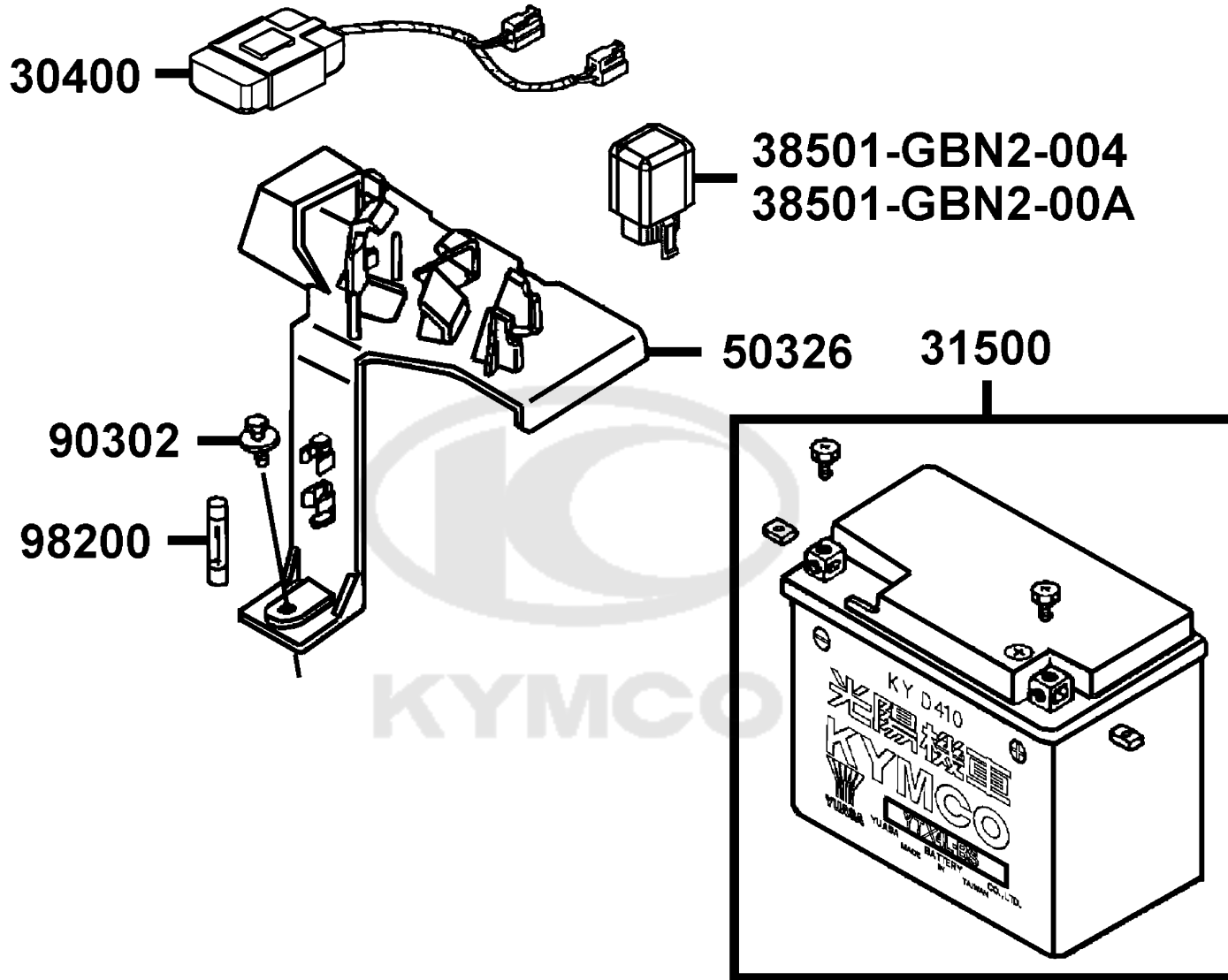
| Sales mark | Ref no | Part no | Description | Reg description | Regd no | F09 |
|------------|--------|---------|-------------|-----------------|---------|------------|
|------------|--------|---------|-------------|-----------------|---------|------------|


| | | | | | | |
|----|-------|----------------|----------------|----------------|---|--|
| ** | 77200 | 77200-KXCX-E00 | SEAT ASSY | SEAT ASSY | 1 | |
| | 89010 | 89010-GGS7-C00 | TOOL SET | TOOL SET | 1 | |
| | 94050 | 94050-06080 | NUT FLANGE 6MM | NUT FLANGE 6MM | 2 | |

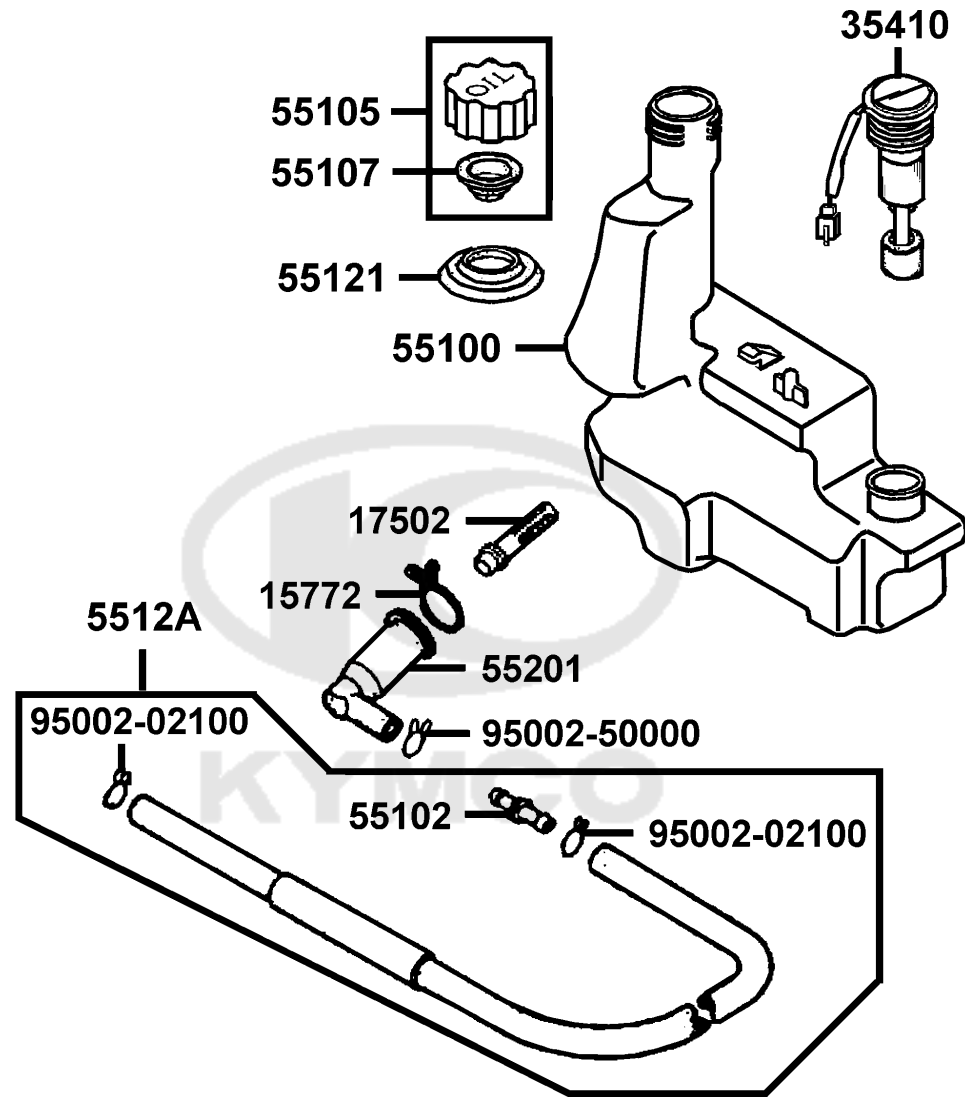




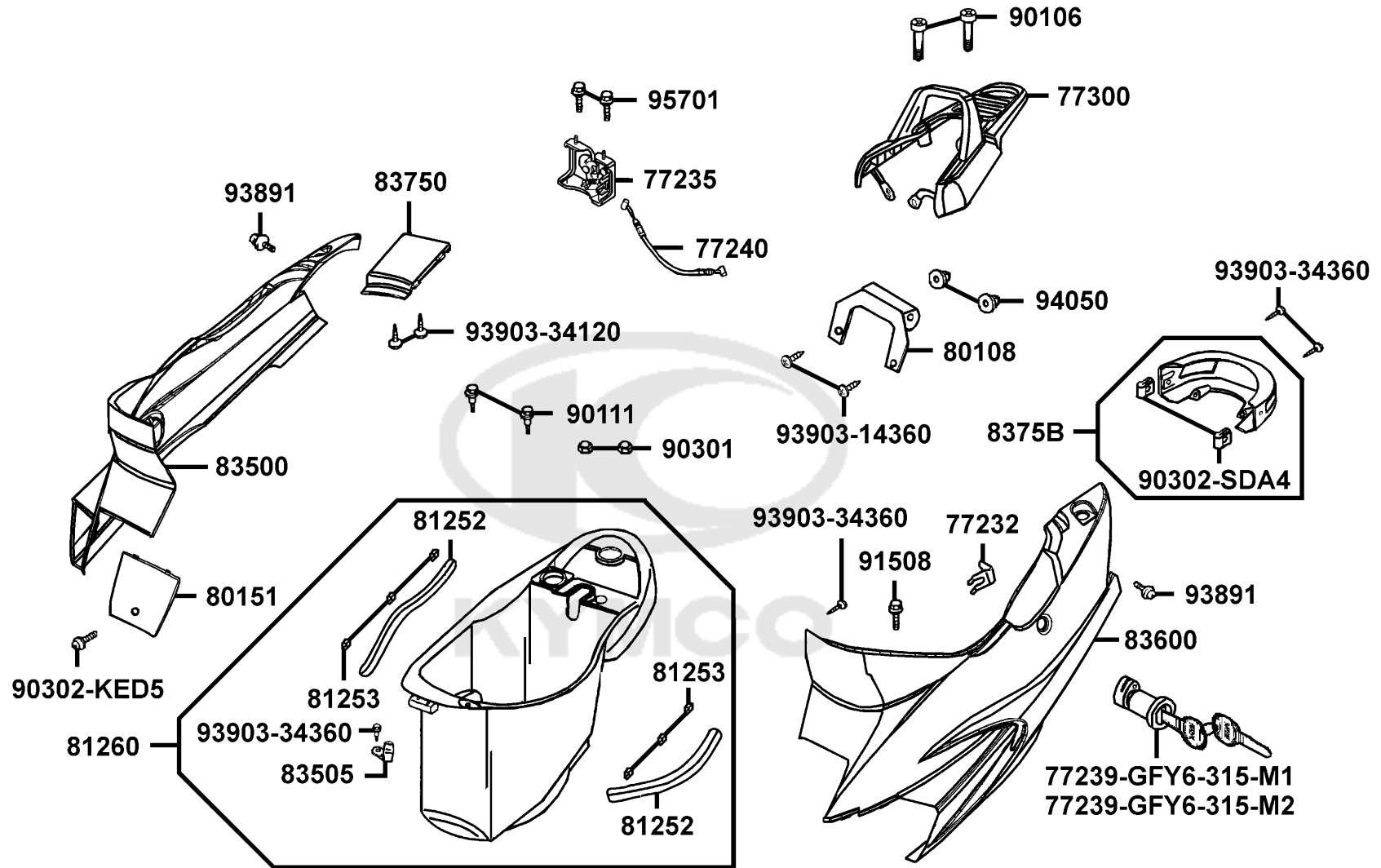
| Sales mark | Ref no | Part no | Description | Reg description | Regd no | F10 |
|------------|----------------|----------------|------------------------|------------------------|---------|------------|
| | 1691A-GFY6-90A | 1691A-GFY6-90A | STRAINER ASSY FUEL | STRAINER ASSY FUEL | 1 | |
| | 1691A-GFY6-90B | 1691A-GFY6-90B | STRAINER ASSY FUEL | STRAINER ASSY FUEL | 1 | |
| | 16950 | 16950-KKJ9-75A | AUTO COCK ASSY FUEL | AUTO COCK ASSY FUEL | 1 | |
| | 17500 | 17500-KXCX-E10 | TANK COMP FUEL | TANK COMP FUEL | 1 | |
| | 17620 | 17620-GGS7-E10 | CAP COMP FUEL FILLER | CAP COMP FUEL FILLER | 1 | |
| | 37801 | 37801-GGA7-701 | PACKING BASE | PACKING BASE | 1 | |
| | 37802 | 37802-GGA7-701 | RET FUEL UNIT | RET FUEL UNIT | 1 | |
| | 3780A | 3780A-KXCX-900 | FUEL ASSY UNIT | FUEL ASSY UNIT | 1 | |
| | 77332 | 77332-KPCP-E00 | STAY RR GRIP | STAY RR GRIP | 1 | |
| | 94050 | 94050-06080 | NUT FLANGE 6MM | NUT FLANGE 6MM | 2 | |
| | 95002-02070 | 95002-02070 | CLIP B7 TUBE | CLIP B7 TUBE | 2 | |
| | 95002-02080 | 95002-02080 | CLIP B8 TUBE | CLIP B8 TUBE | 4 | |
| | 9500A | 9500A-35435-40 | TUBE ASSY FUEL 3.5*435 | TUBE ASSY FUEL 3.5*435 | 1 | |
| | 9500C | 9500C-GGS7-001 | TUBE ASSY FUEL | TUBE ASSY FUEL | 1 | |
| | 9500E | 9500E-GGS7-001 | TUBE ASSY FUEL | TUBE ASSY FUEL | 1 | |
| | 95701 | 95701-06012-08 | BOLT FLANGE 6*12 | BOLT FLANGE 6*12 | 2 | |



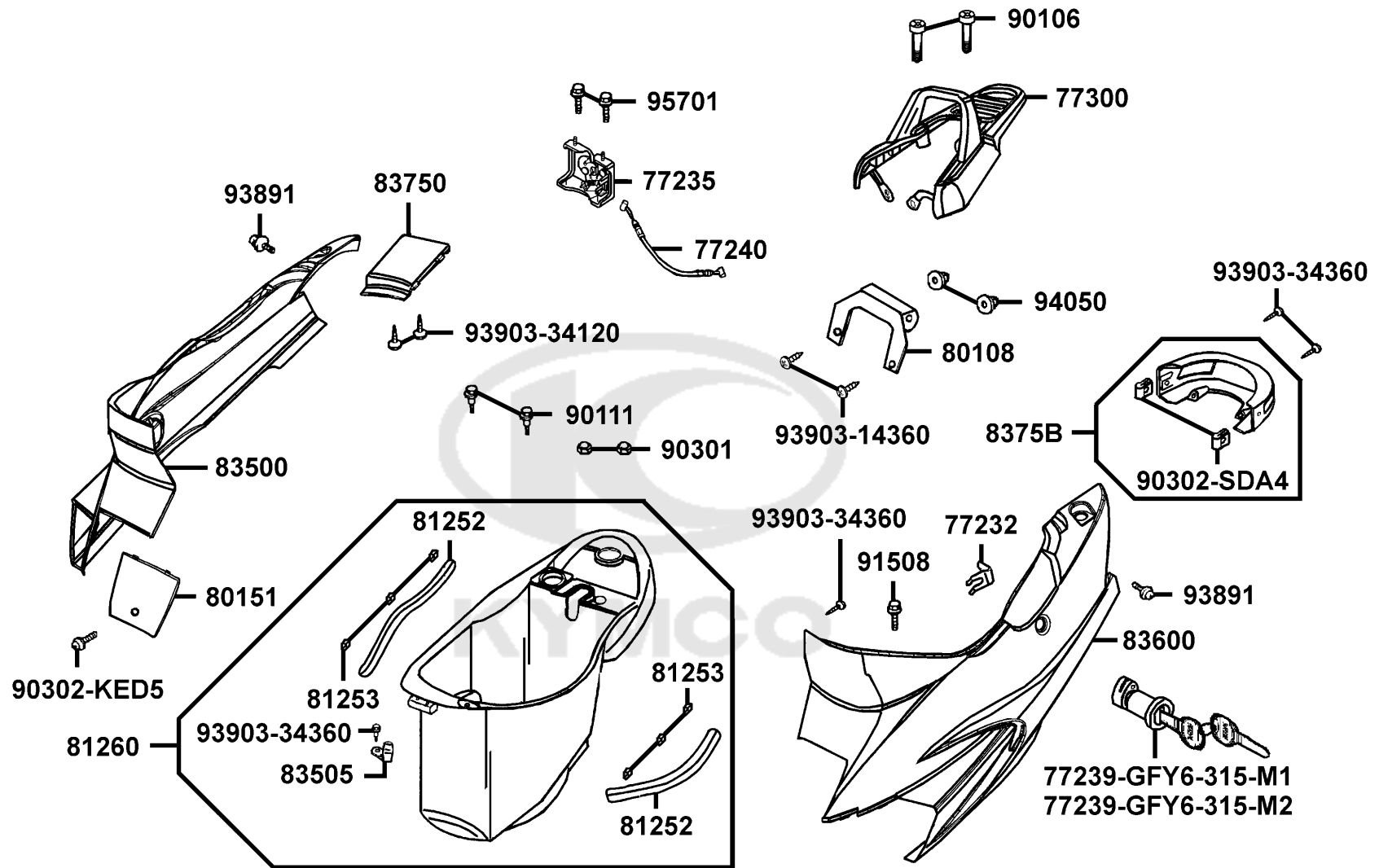
| Sales mark | Ref no | Part no | Description | Reg description | Regd no | F11 |
|---|----------------|----------------|---------------------|---------------------|---------|------------|
| | 30400 | 30400-KXCX-E01 | CDI & SPEED CONTROL | CDI & SPEED CONTROL | 1 | |
| | 31500 | 31500-KCAC-90A | BATTERY YTX4L-BS | BATTERY YTX7A-BS | 1 | |
| | 38501-GBN2-004 | 38501-GBN2-004 | RELAY COMP START | RELAY COMP START | 1 | |
| | 38501-GBN2-00A | 38501-GBN2-00A | RELAY COMP START | RELAY COMP START | 1 | |
| | 50326 | 50326-GGS7-001 | HOLDER BATTERY | HOLDER BATTERY | 1 | |
| | 90302 | 90302-GFY6-940 | BOLT-WASH 5*16 | BOLT-WASH 5*16 | 1 | |
| | 98200 | 98200-10700 | FUSE A7 | FUSE A7 | 1 | |
|  | | | | | | |




| Sales mark | Ref no | Part no | Description | Reg description | Regd no | F12 |
|-------------|--------|----------------|--------------------|--------------------|---------|-----|
| 15772 | | 15772-5A51-001 | CLIP BREATHER TUBE | CLIP BREATHER TUBE | 1 | |
| 17502 | | 17502-1G87-001 | OIL STRAINER | OIL STRAINER | 1 | |
| 35410 | | 35410-GAR1-900 | SW COMP OIL LEVEL | SW COMP OIL LEVEL | 1 | |
| 55100 | | 55100-KTCT-900 | TANK OIL | TANK OIL | 1 | |
| 55102 | | 55102-1F66-001 | JOINT OIL TUBE | JOINT OIL TUBE | 1 | |
| 55105 | | 55105-GHK8-001 | CAP ASSY OIL | CAP ASSY OIL | 1 | |
| 55107 | | 55107-GHK8-001 | PACKING OIL CAP | PACKING OIL CAP | 1 | |
| 55121 | | 55121-GGS7-901 | RUBBER OIL GUIDE | RUBBER OIL GUIDE | 1 | |
| 5512A | | 5512A-GGS7-901 | TUBE ASSY OIL | TUBE ASSY OIL | 1 | |
| 55201 | | 55201-1G87-001 | JOINT OIL STRN | JOINT OIL STRN | 1 | |
| 95002-02100 | | 95002-02100 | CLIP B15 TUBE | CLIP B15 TUBE | 2 | |
| 95002-50000 | | 95002-50000 | CLIP C9 TUBE | CLIP C9 TUBE | 1 | |



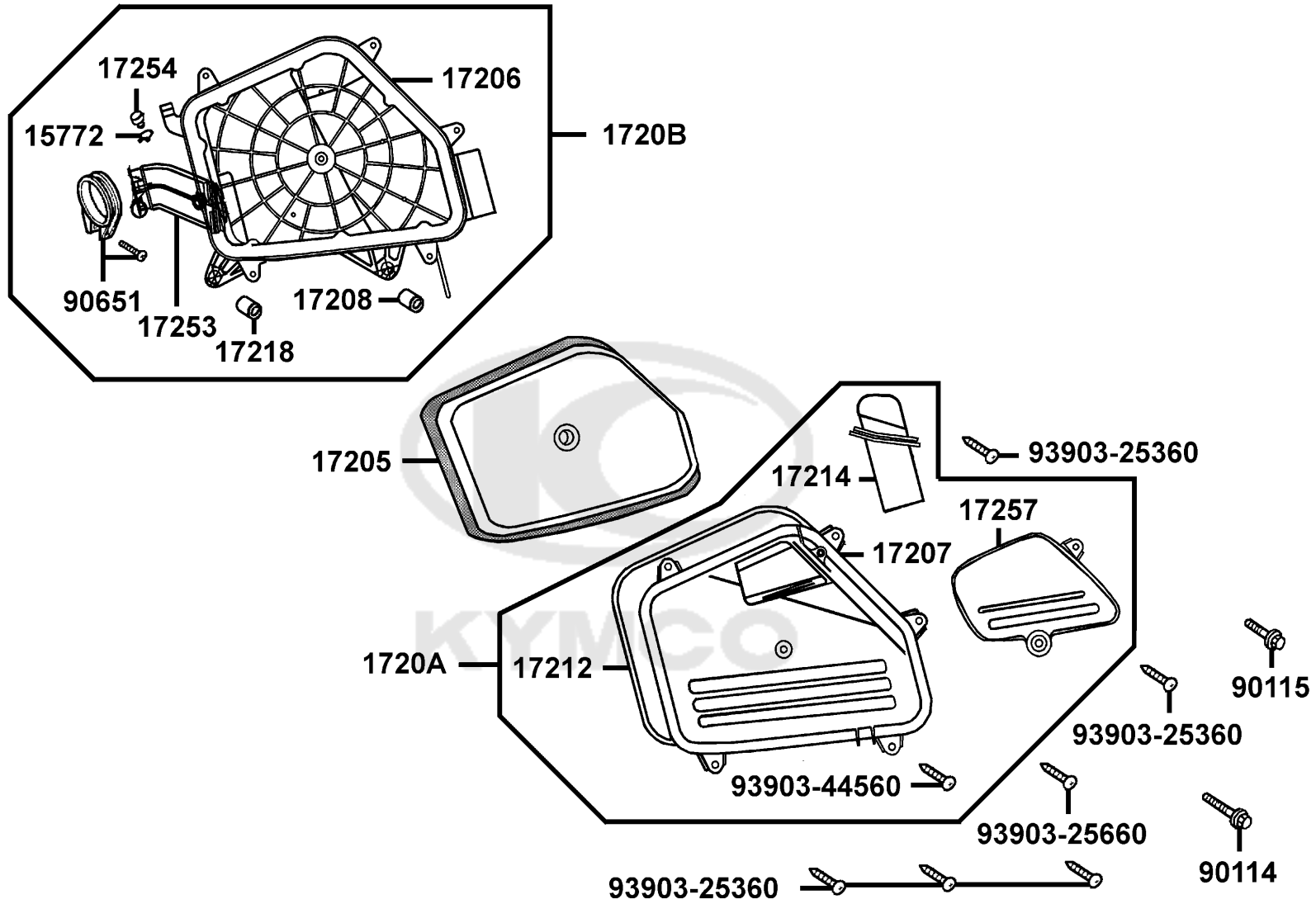
| Sales mark | Ref no | Part no | Description | Reg description | Regd no | F13 |
|------------|-------------------|-------------------|-----------------------|-----------------------|---------|-----|
| | 77232 | 77232-KCAC-901 | SET SPG SEAT LOCK | SET SPG SEAT LOCK | 1 | |
| | 77235 | 77235-GGS7-901 | SEAT CATCH COMP | SEAT CATCH COMP | 1 | |
| | 77239-GFY6-315-M1 | 77239-GFY6-315-M1 | KEY SEAT LOCK | KEY SEAT LOCK | 1 | |
| | 77239-GFY6-315-M2 | 77239-GFY6-315-M2 | KEY SEAT SET | KEY SEAT SET | 1 | |
| | 77240 | 77240-GGS7-001 | CABLE SEAT LOCK | CABLE SEAT LOCK | 1 | |
| ** | 77300 | 77300-KXCX-900 | CARRIER ASSY LUGGAGE | CARRIER ASSY LUGGAGE | 1 | |
| | 80108 | 80108-KCAC-900 | STAY RR CENTER MOLD | STAY RR CENTER MOLD | 1 | |
| ** | 80151 | 80151-KCAC-900 | COVER BATTERY | COVER BATTERY | 1 | |
| | 81252 | 81252-GGS7-001 | SEAL LUGGAGE BOX | SEAL LUGGAGE BOX | 2 | |
| | 81253 | 81253-GGS7-001 | CLIP SEAL RUBBER | CLIP SEAL RUBBER | 6 | |
| ** | 81260 | 81260-KXCX-E00 | BOX COMP LUGGAGE | BOX COMP LUGGAGE | 1 | |
| ** | 83500 | 83500-KCAC-900 | COVER SET R BODY | COVER SET R BODY | 1 | |
| | 83505 | 83505-KCAC-900 | STAY BODY COVER (2ND) | STAY BODY COVER (2ND) | 1 | |
| ** | 83750 | 83750-KXCX-900 | COVER RR CENTER | COVER RR CENTER | 1 | |
| ** | 8375B | 8375B-KCAC-901 | MOLD ASSY RR CENTER | MOLD ASSY RR CENTER | 1 | |
| | 90106 | 90106-KFAF-900 | BOLT SPECIAL | BOLT SPECIAL 8MM | 2 | |
| | 90111 | 90111-1G47-001 | BOLT FLANGE 6*14 | BOLT FLANGE 6*14 | 2 | |
| | 90301 | 90301-6D34-671 | NUT FLANGE 6MM | NUT FLANGE 6MM | 2 | |
| | 90302-KED5 | 90302-KED5-900 | BOLT PAN 5*11 | BOLT PAN 5*9 | 1 | |
| | 90302-SDA4 | 90302-SDA4-004 | NUT SPRING 4MM | NUT SPRING 4MM | 2 | |



| Sales mark | Ref no | Part no | Description | Reg description | Regd no | F13 |
|---|--------|----------------|------------------------|--------------------|---------|------------|
| 91508 | | 91508-KNBN-901 | SCREW PAN 5*7 | SCREW PAN 5*7 | 1 | |
| 93891 | | 93891-05012-06 | SCREW WASHER 5*12 | SCREW WASHER 5*12 | 2 | |
| 93903-14360 | | 93903-14360 | SCREW TAPPING 4*12 | SCREW TAPPING 4*12 | 2 | |
| 93903-34120 | | 93903-34120 | SCREW TAPPING 4*8 | SCREW TAPPING 4*8 | 2 | |
| 93903-34360 | | 93903-34360 | SCREW TAPPING 4*12 (G) | SCREW TAPPING 4*12 | 4 | |
| 94050 | | 94050-06080 | NUT FLANGE 6MM | NUT FLANGE 6MM | 2 | |
| 95701 | | 95701-06012-08 | BOLT FLANGE 6*12 | BOLT FLANGE 6*12 | 2 | |
|  | | | | | | |

F14

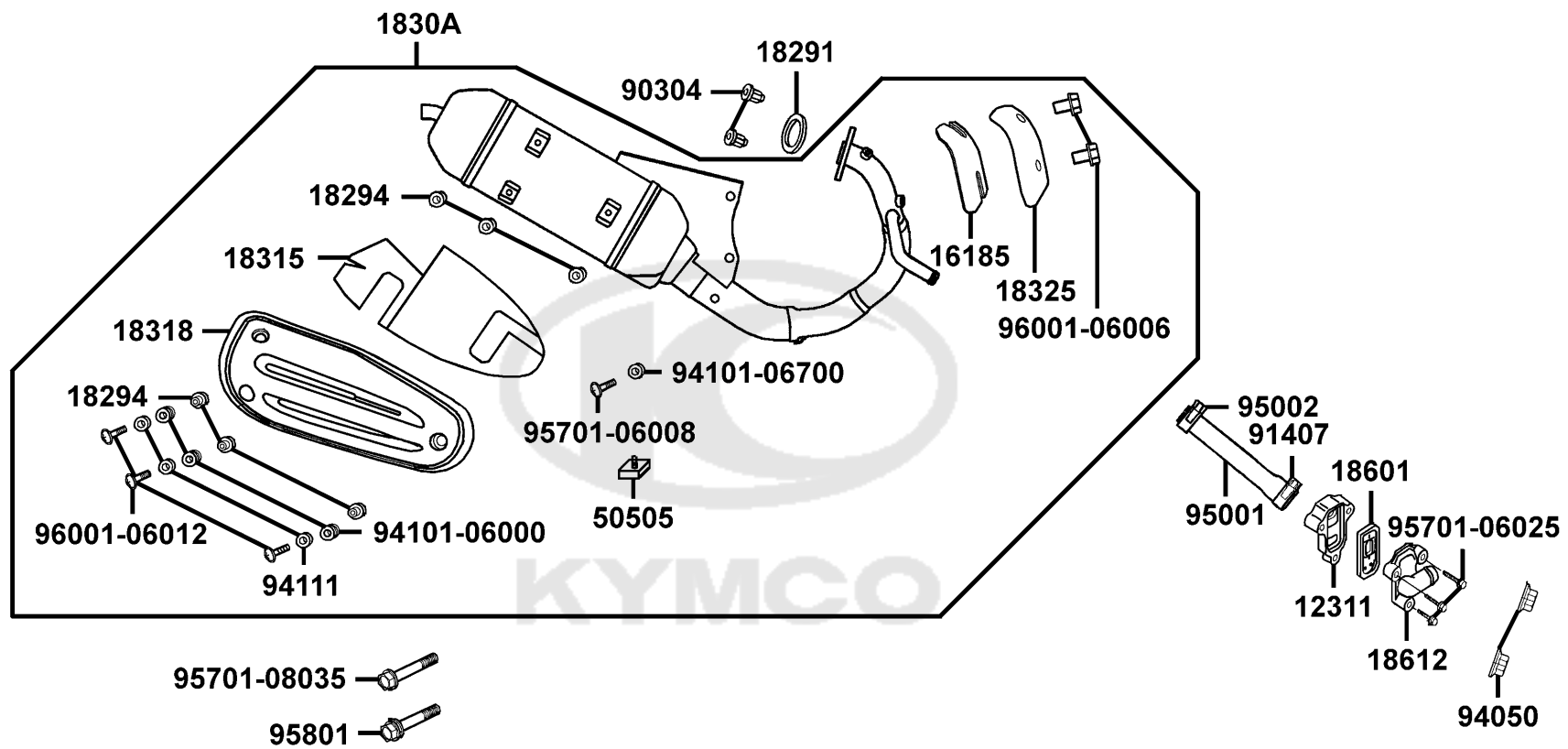
Air Cleaner



| Sales mark | Ref no | Part no | Description | Reg description | Regd no | F14 |
|-------------|--------|----------------|-------------------------|-------------------------|---------|-----|
| 15772 | | 15772-5L00-013 | CLIP B14.5 TUBE | CLIP BREATHER PIPE | 1 | |
| 17205 | | 17205-GAR1-751 | ELMT A AIR/C | ELMT A AIR/C | 1 | |
| 17206 | | 17206-GAR1-931 | CASE AIR/C | CASE AIR/C | 1 | |
| 17207 | | 17207-GAR1-930 | COVER AIR/C CASE | COVER AIR/C CASE | 1 | |
| 17208 | | 17208-KXCX-900 | COLLAR AIR/C SET | COLLAR AIR/C SET | 1 | |
| 1720A | | 1720A-KXCX-900 | COVER ASSY AIR/C | COVER ASSY AIR/C | 1 | |
| 1720B | | 1720B-KXCX-E00 | CASE ASSY AIR/C | CASE ASSY AIR/C | 1 | |
| 17212 | | 17212-GAR1-751 | SEAL AIR/C COVER | SEAL AIR/C COVER | 1 | |
| 17214 | | 17214-GAR1-711 | DUCT AIR/C | DUCT AIR/C | 1 | |
| 17218 | | 17218-KXCX-900 | COLLAR AIR/C SET | COLLAR AIR/C SET | 1 | |
| 17253 | | 17253-KXCX-E00 | TUBE AIR/C CONN | TUBE AIR/C CONN | 1 | |
| 17254 | | 17254-KACA-P00 | PLUG AIR/C CONN TUBE | JOINT PURGE TUBE | 1 | |
| 17257 | | 17257-KXCX-900 | DUCT AIR/C COVER | DUCT AIR/C COVER | 1 | |
| 90114 | | 90114-KXCX-900 | BOLT FLANGE SH 5*20 | BOLT FLANGE SH 5*20 | 1 | |
| 90115 | | 90115-KXCX-900 | BOLT FLANGE SH 6*32 | BOLT FLANGE SH 6*32 | 1 | |
| 90651 | | 90651-GBHB-601 | BAND 34 AIR/C CONN TUBE | BAND 34 AIR/C CONN TUBE | 1 | |
| 93903-25360 | | 93903-25360 | SCREW TAPPING 5*16 | SCREW TAPPING 5*16 | 5 | |
| 93903-25660 | | 93903-25660 | SCREW TAPP 5*30 | SCREW TAPP 5*30 | 1 | |
| 93903-44560 | | 93903-44560 | SCREW TAPP 4*20 | SCREW TAPP 4*20 | 1 | |

F15

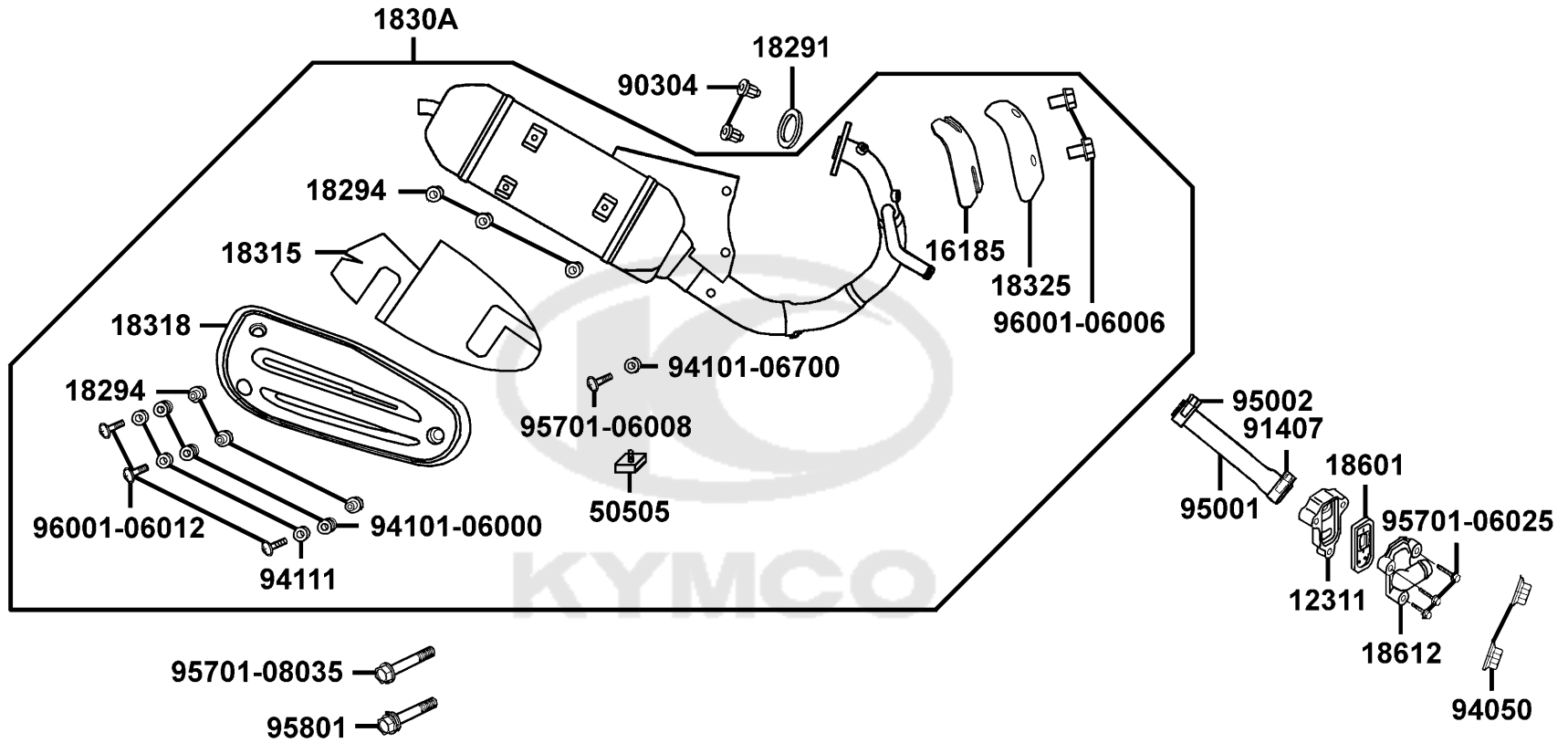
Exhaust Muffler



| Sales mark | Ref no | Part no | Description | Reg description | Regd no | F15 |
|-------------|--------|----------------|--------------------------|--------------------------|---------|------------|
| 12311 | | 12311-KTCT-500 | BODY REED VALVE | BODY REED VALVE | 1 | |
| 16185 | | 16185-KTCT-500 | GLASS WOOL PROTECTOR | GLASS WOOL PROTECTOR | 1 | |
| 18291 | | 18291-LEA5-E00 | GASKET EXH PIPE | GASKET EXH PIPE | 1 | |
| 18294 | | 18294-KTCT-900 | PACKING PROTECTOR | PACKING PROTECTOR | 6 | |
| 1830A | | 1830A-KXCX-EZ0 | MUFFLER ASSY EXH | MUFFLER ASSY EXH | 1 | |
| 18315 | | 18315-KXCX-900 | DAMPER PROTECTOR MUFFLER | DAMPER PROTECTOR MUFFLER | 1 | |
| 18318 | | 18318-KXCX-900 | PROTECTOR MUFFLER | PROTECTOR MUFFLER | 1 | |
| 18325 | | 18325-KTCT-500 | PROTECTOR EXH PIPE | PROTECTOR EXH PIPE | 1 | |
| 18601 | | 18601-KFB5-900 | VALVE COMP REED | VALVE COMP REED | 1 | |
| 18612 | | 18612-KFB5-900 | COVER REED VALVE | COVER REED VALVE | 1 | |
| 50505 | | 50505-KXCX-900 | STOPPER RUBBER STAND | STOPPER RUBBER STAND | 1 | |
| 90304 | | 90304-HCB3-77A | NUT SPECIAL 6MM | NUT SPECIAL 6MM | 2 | |
| 91407 | | 91407-SGA7-004 | CLAMP 17 FUSE HOSE | CLAMP 17 FUSE HOSE | 1 | |
| 94050 | | 94050-06080 | NUT FLANGE 6MM | NUT FLANGE 6MM | 2 | |
| 94101-06000 | | 94101-06000 | WASHER PLAIN 6MM | WASHER PLAIN 6MM | 3 | |
| 94101-06700 | | 94101-06700 | WASHER PLAIN 6MM | WASHER PLAIN 6MM | 1 | |
| 94111 | | 94111-06800 | WASHER SPRING 6MM | WASHER SPG 6MM | 3 | |
| 95001 | | 95001-KXCX-EZ0 | TUBE REED VALVE | TUBE REED VALVE | 1 | |
| 95002 | | 95002-KKD6-E05 | CLAMP D18 TUBE | CLAMP D18 TUBE | 1 | |
| 95701-06008 | | 95701-06008-06 | BOLT FLANGE 6*8 | BOLT FLANGE 6*8 | 1 | |

F15

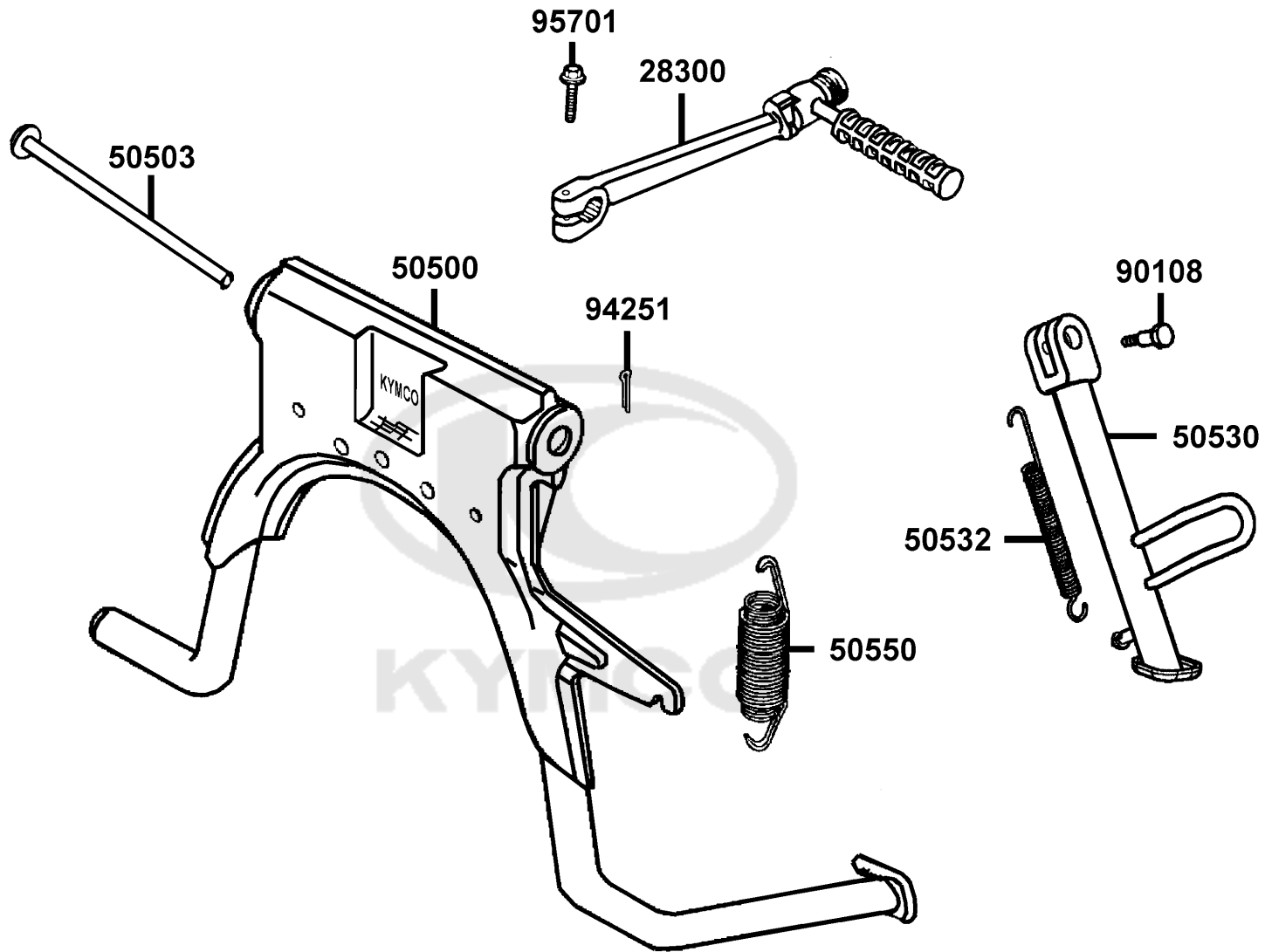
Exhaust Muffler



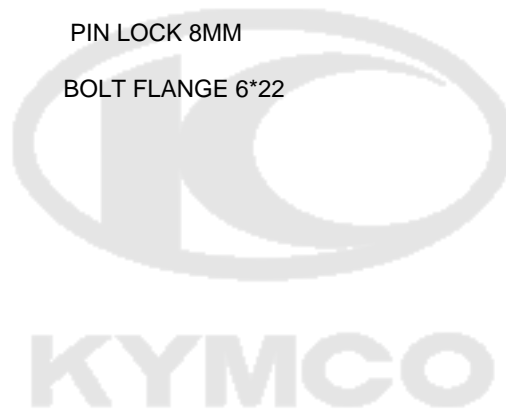
| Sales mark | Ref no | Part no | Description | Reg description | Regd no | F15 |
|------------|--------|---------|-------------|-----------------|---------|------------|
|------------|--------|---------|-------------|-----------------|---------|------------|

| | | | | | | |
|-------------|--|----------------|---------------------|---------------------|---|--|
| 95701-06025 | | 95701-06025-08 | BOLT FLANGE 6*25 | BOLT FLANGE 6*25 | 3 | |
| 95701-08035 | | 95701-08035-06 | BOLT FLANGE 8*28 | BOLT FLANGE 8*28 | 1 | |
| 95801 | | 95801-KFA6-E00 | BOLT FLANGE 8*35 | BOLT FLANGE 8*35 | 1 | |
| 96001-06006 | | 96001-06006-02 | BOLT FLANGE SH 6*6 | BOLT FLANGE 6*6 | 2 | |
| 96001-06012 | | 96001-06012-02 | BOLT FLANGE SH 6*12 | BOLT FLANGE SH 6*12 | 3 | |



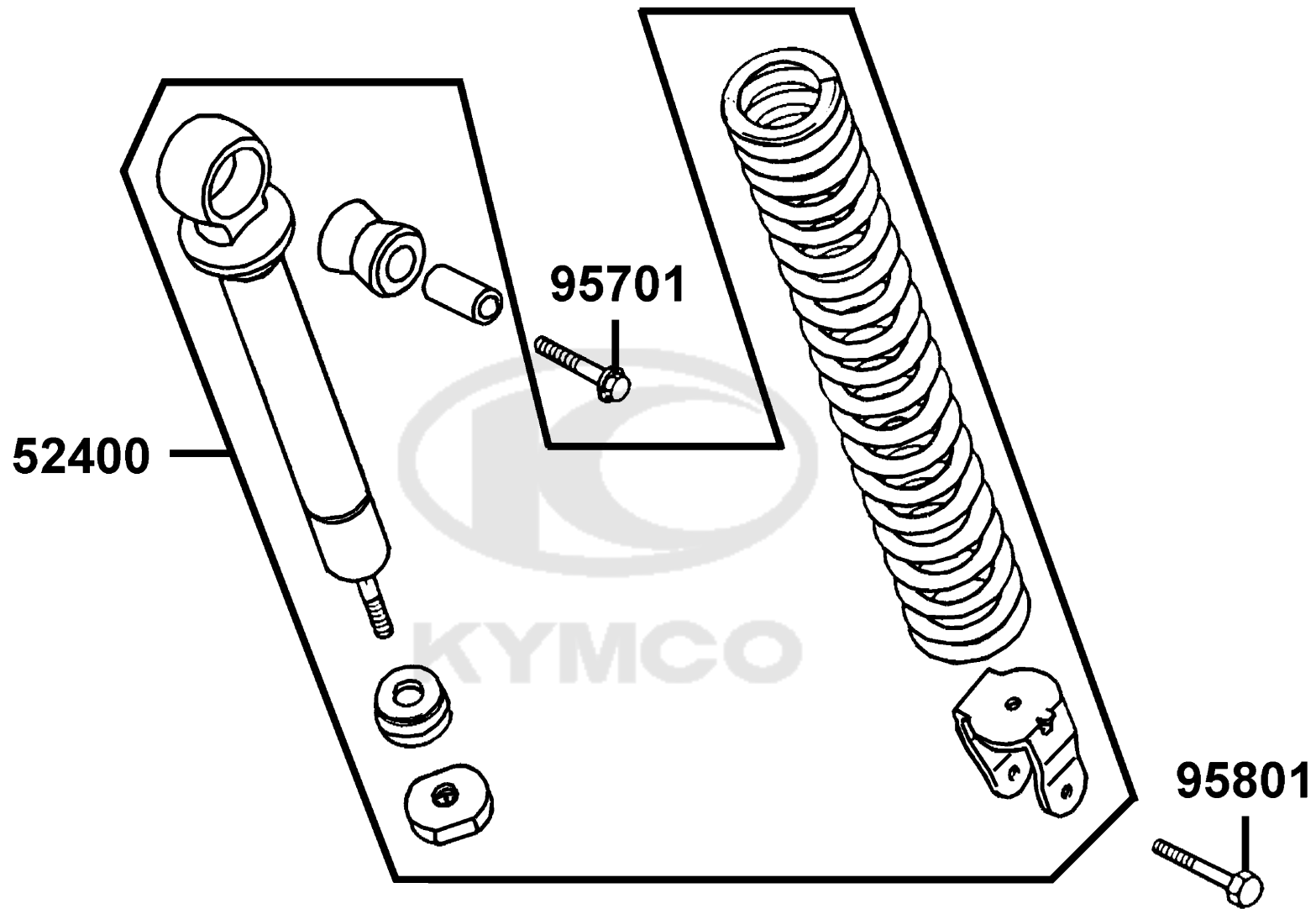


| Sales mark | Ref no | Part no | Description | Reg description | Regd no | F16 |
|------------|--------|----------------|------------------------|------------------------|---------|------------|
| 28300 | | 28300-GGS7-901 | ARM ASSY KICK STARTER | ARM ASSY KICK STARTER | 1 | |
| 50500 | | 50500-KXCX-900 | STAND COMP MAIN | STAND COMP MAIN | 1 | |
| 50503 | | 50503-GAR1-001 | SHAFT MAIN STAND | SHAFT MAIN STAND | 1 | |
| 50530 | | 50530-KXCX-900 | BAR COMP SIDE STAND | BAR COMP SIDE STAND | 1 | |
| 50532 | | 50532-KGN7-671 | SPG SIDE STAND | SPG SIDE STAND | 1 | |
| 50550 | | 50550-KXCX-J00 | SPG ASSY MAIN STAND | SPG ASSY MAIN STAND | 1 | |
| 90108 | | 90108-GFY6-901 | SCREW SIDE STAND PIVOT | SCREW SIDE STAND PIVOT | 1 | |
| 94251 | | 94251-08400 | PIN LOCK 8MM | PIN LOCK 8MM | 1 | |
| 95701 | | 95701-06022-06 | BOLT FLANGE 6*22 | BOLT FLANGE 6*22 | 1 | |



F17

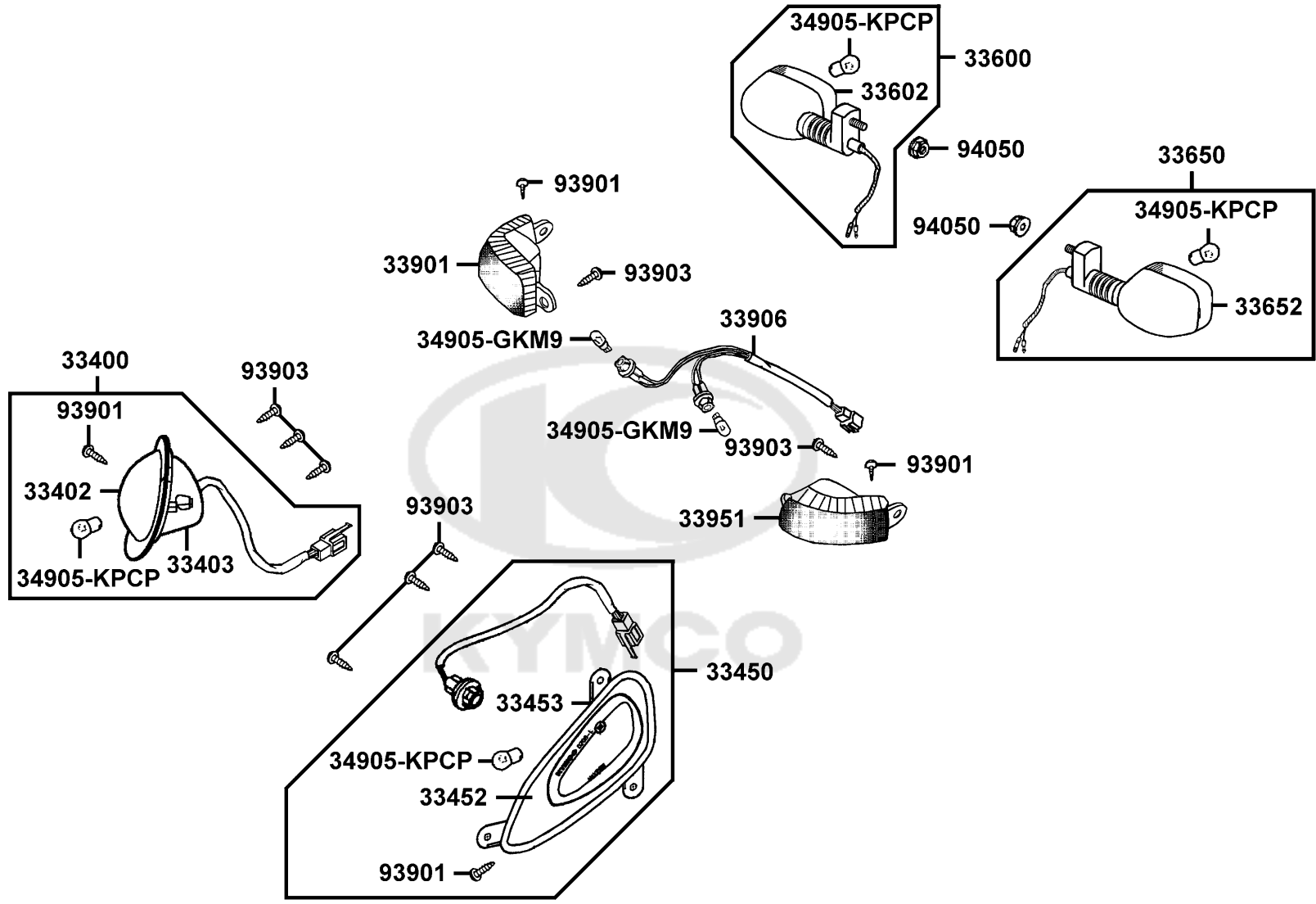
Rear Cushion



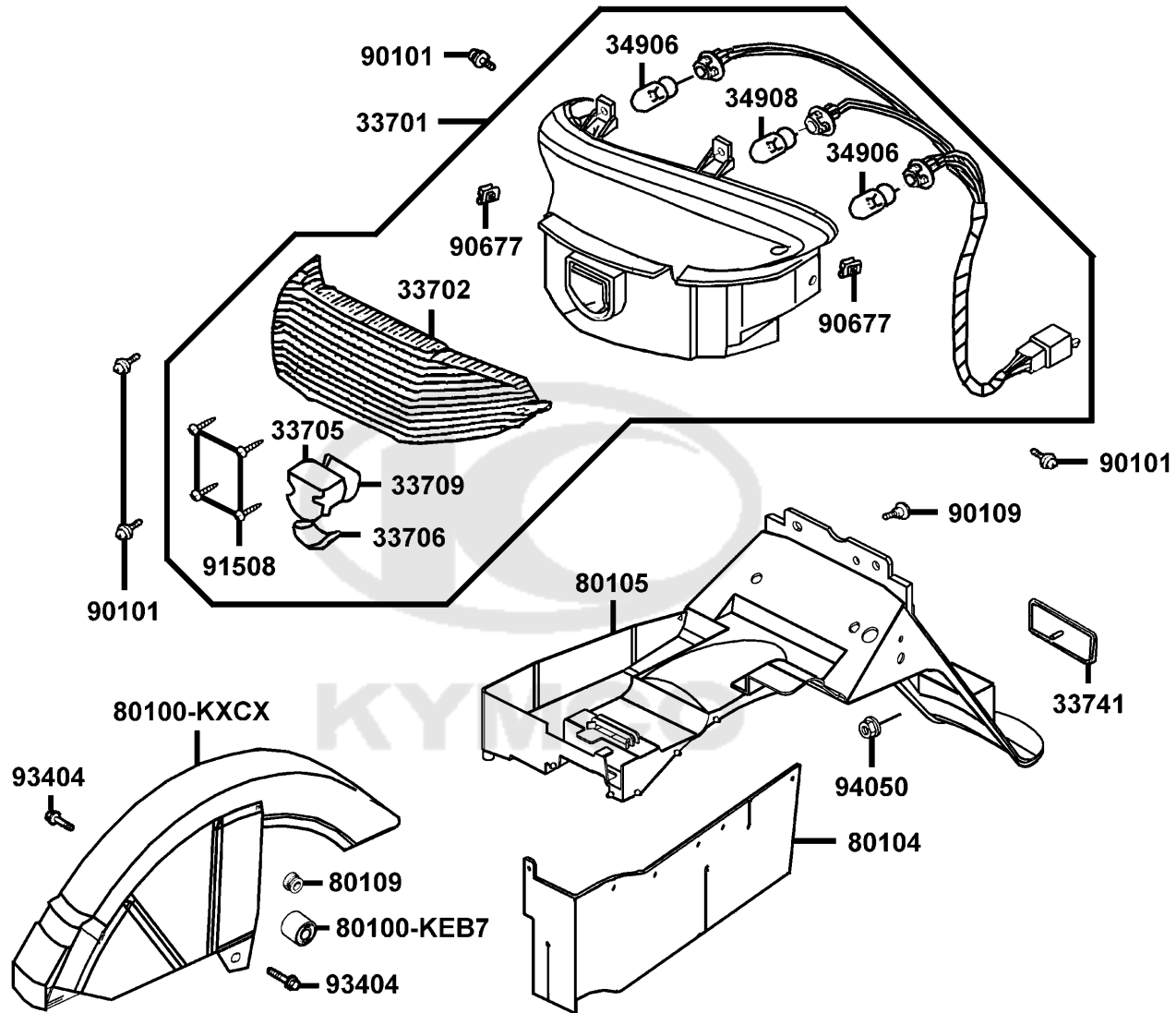
| Sales mark | Ref no | Part no | Description | Reg description | Regd no | F17 |
|------------|--------|---------|-------------|-----------------|---------|------------|
|------------|--------|---------|-------------|-----------------|---------|------------|

| | | | | | | |
|-------|--|----------------|-------------------|-------------------|---|--|
| 52400 | | 52400-KXCX-E00 | CUSHION ASSY REAR | CUSHION ASSY REAR | 1 | |
| 95701 | | 95701-10040-08 | BOLT FLANGE 10*40 | BOLT FLANGE 10*40 | 1 | |
| 95801 | | 95801-08035-08 | BOLT FLANGE 8*35 | BOLT FLANGE 8*35 | 1 | |

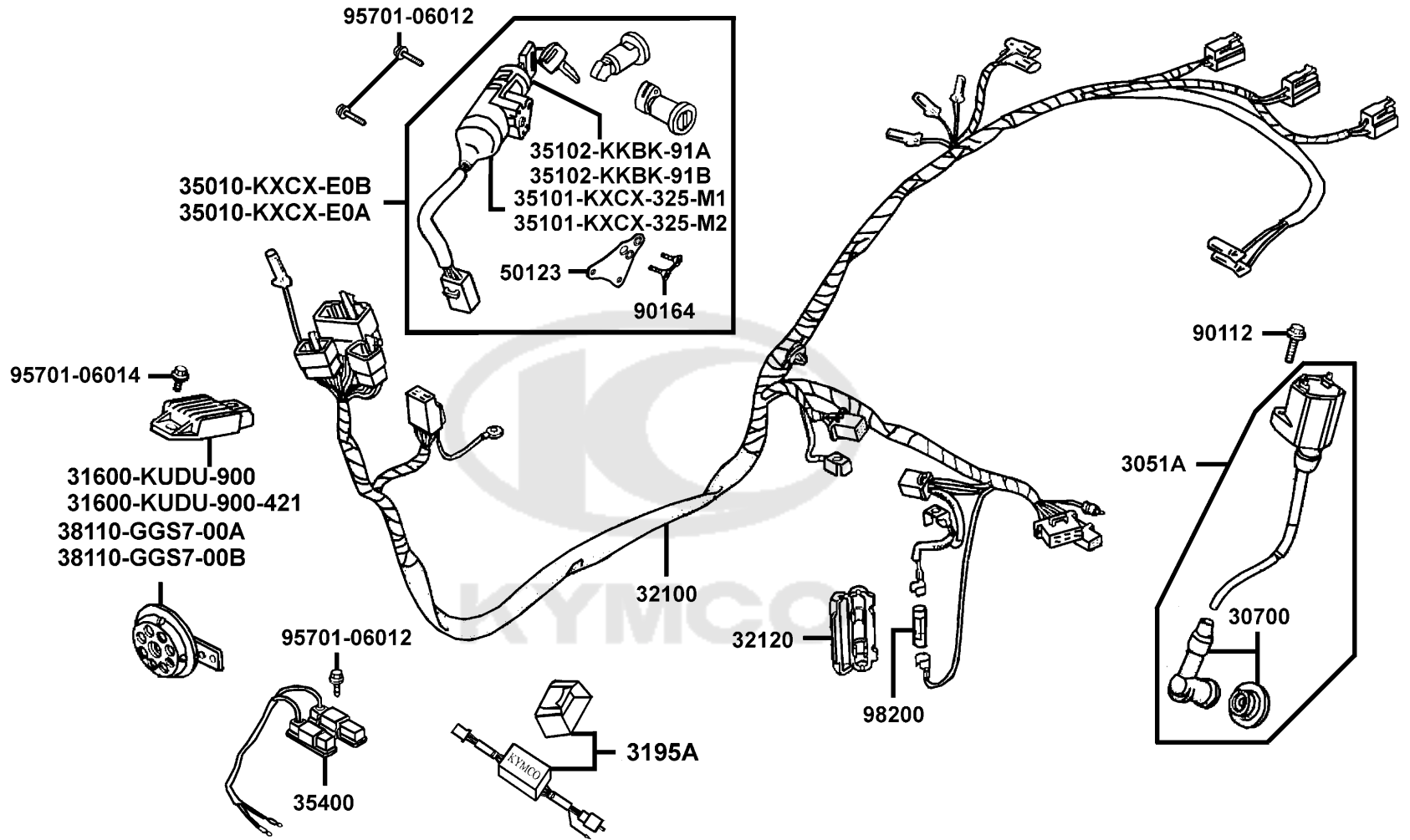




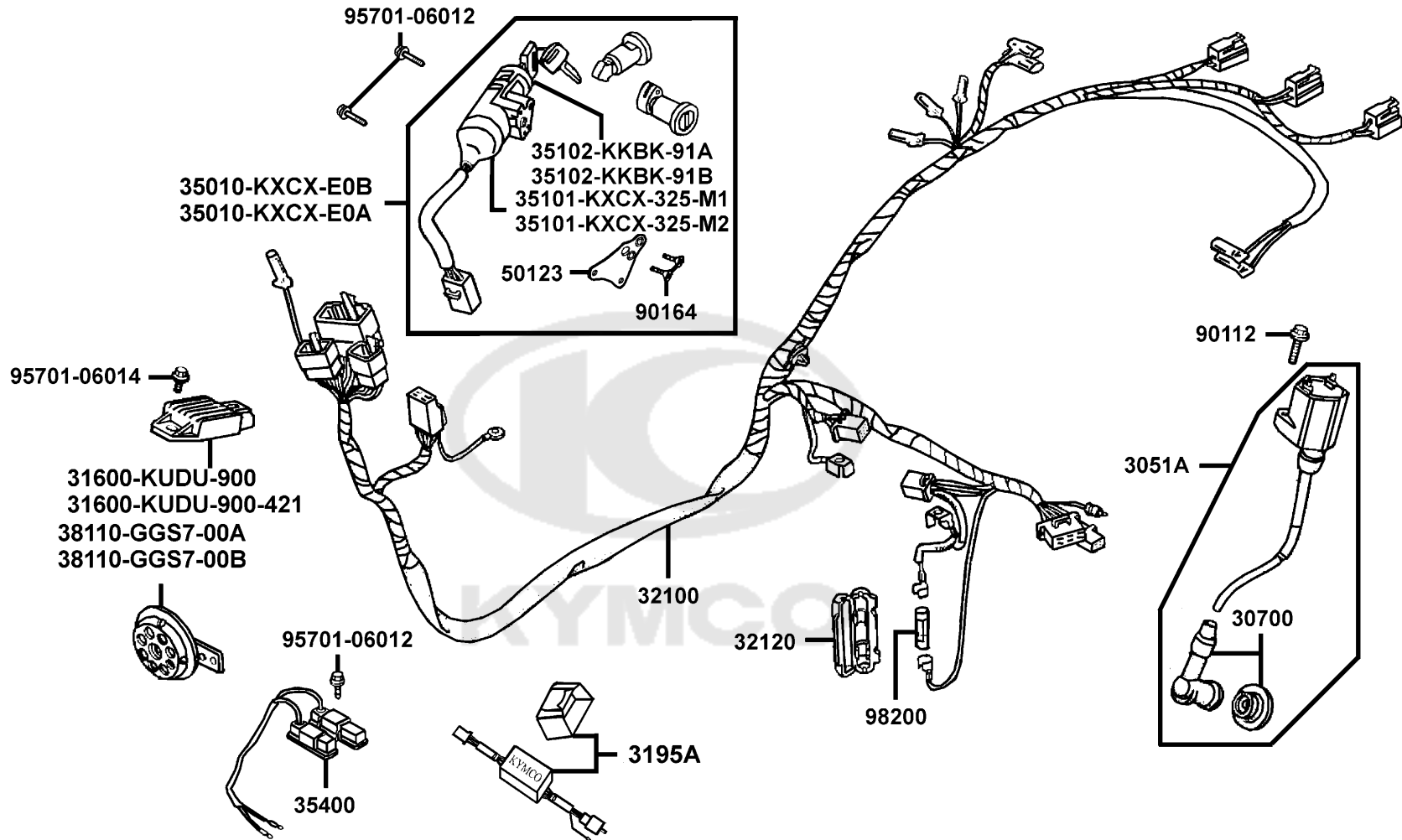
| Sales mark | Ref no | Part no | Description | Reg description | Regd no | F18 |
|------------|------------|----------------|-------------------------|-------------------------|---------|-----|
| ** | 33400 | 33400-KACA-E10 | WINKER ASSY R FR | WINKER ASSY R FR | 1 | |
| | 33402 | 33402-KACA-900 | LENS R FR WINKER | LENS R FR WINKER | 1 | |
| | 33403 | 33403-KACA-E00 | BASE COMP R FR WINKER | BASE COMP R FR WINKER | 1 | |
| ** | 33450 | 33450-KACA-E10 | WINKER ASSY L FR | WINKER ASSY L FR | 1 | |
| | 33452 | 33452-KACA-900 | LENS L FR WINKER | LENS L FR WINKER | 1 | |
| | 33453 | 33453-KACA-E00 | BASE COMP L FR WINKER | BASE COMP L FR WINKER | 1 | |
| | 33600 | 33600-KPCP-902 | RR WINKER ASSY R | RR WINKER ASSY R | 1 | |
| | 33602 | 33602-KPCP-900 | LENS WINKER R | LENS WINKER R | 1 | |
| | 33650 | 33650-KPCP-902 | RR WINICER ASSY L | RR WINICER ASSY L | 1 | |
| | 33652 | 33652-KPCP-900 | LENS WINKER L | LENS WINKER L | 1 | |
| | 33901 | 33901-KXCX-910 | LIGHT SET R RR POSITION | LIGHT SET R RR POSITION | 1 | |
| | 33906 | 33906-KXCX-900 | SOCKET COMP RR POSITION | SOCKET COMP RR POSITION | 1 | |
| | 33951 | 33951-KXCX-910 | LIGHT SET L RR POSITION | LIGHT SET L RR POSITION | 1 | |
| | 34905-GKM9 | 34905-GKM9-003 | BULB WINKER | BULB WINKER | 2 | |
| | 34905-KPCP | 34905-KPCP-900 | BULB WINKER | BULB WINKER | 4 | |
| | 93901 | 93901-32320 | SCREW TAPPING 3*12 | SCREW TAPPING 3*12 | 4 | |
| | 93903 | 93903-34360 | SCREW TAPPING 4*12 (G) | SCREW TAPPING 4*12 | 8 | |
| | 94050 | 94050-05080 | NUT FLANGE 5MM | NUT FLANGE 5MM | 2 | |



| Sales mark | Ref no | Part no | Description | Reg description | Regd no | F19 |
|------------|------------|----------------|----------------------------|----------------------------|---------|------------|
| | 33701 | 33701-KPCP-900 | UNIT TAIL LIGHT | UNIT TAIL LIGHT | 1 | |
| | 33702 | 33702-KPCP-900 | LENS COMP TAIL LIGHT | LENS COMP TAIL LIGHT | 1 | |
| | 33705 | 33705-GCN3-67A | LENS LICENSE | LENS LICENSE | 1 | |
| | 33706 | 33706-GCN3-67A | COVER LICENSE | COVER LICENSE | 1 | |
| | 33709 | 33709-KBAB-003 | PACKING LICENSE | PACKING LICENSE | 1 | |
| | 33741 | 33741-KABA-900 | REFLEX REFLECTOR | REFLEX REFLECTOR | 1 | |
| | 34906 | 34906-KPCP-900 | BULB TAIL & STOP 12V21W/5W | BULB TAIL & STOP 12V21W/5W | 2 | |
| | 34908 | 34908-GGA7-70A | BULB WEDGE BASE 12V*3.4W | BULB WEDGE BASE | 1 | |
| | 80100-KEB7 | 80100-KEB7-900 | COLLAR RUBBER | COLLAR RUBBER | 1 | |
| | 80100-KXCX | 80100-KXCX-E00 | FENDER RR TIRE | FENDER RR TIRE | 1 | |
| | 80104 | 80104-KXCX-900 | PLATE SPLASH GUARD | PLATE SPLASH GUARD | 1 | |
| ** | 80105 | 80105-KXCX-900 | FENDER REAR | FENDER REAR | 1 | |
| | 80109 | 80109-KEB7-900 | RUBBER RR FENDER B | RUBBER RR FENDER B | 1 | |
| | 90101 | 90101-0G87-721 | SCREW HEAD LIGHTT SET | SCREW HEAD LIGHTT SET | 4 | |
| | 90109 | 90109-KCAC-900 | SCREW PAN 5*9 | SCREW PAN 5*9 | 1 | |
| | 90677 | 90677-GAR1-004 | NUT CLIP 5MM | NUT CLIP 5MM | 2 | |
| | 91508 | 91508-KGV7-67A | SCREW TAPPING 4*14 | SCREW TAPPING 4*14 | 4 | |
| | 93404 | 93404-06016-06 | BOLT WASHER 6*16 | BOLT WASHER 6*16 | 2 | |
| | 94050 | 94050-05080 | NUT FLANGE 5MM | NUT FLANGE 5MM | 1 | |



| Sales mark | Ref no | Part no | Description | Reg description | Regd no | F20 |
|------------|-------------------|-------------------|------------------------|------------------------|---------|-----|
| | 3051A | 3051A-KXCX-910 | COIL ASSY CDI | COIL ASSY CDI | 1 | |
| | 30700 | 30700-KXCX-910 | CAP ASSY HOISE SUPPR | CAP ASSY HOISE SUPPR | 1 | |
| | 31600-KUDU-900 | 31600-KUDU-900 | REG REC COMP | REG REC COMP | 2 | |
| | 3195A | 3195A-KXCX-E00 | HAZARD CNTR ASSY | HAZARD CNTR ASSY | 1 | |
| | 32100 | 32100-KXCX-E10 | HARNES WIRE | HARNES WIRE | 1 | |
| | 32120 | 32120-1E55-001 | CASE FUSE | CASE FUSE | 1 | |
| | 35010-KXCX-E0A | 35010-KXCX-E0A | KEY SET | KEY SET | 1 | |
| | 35010-KXCX-E0B | 35010-KXCX-E0B | KEY SET | KEY SET | 1 | |
| | 35101-KXCX-325-M1 | 35101-KXCX-325-M1 | SW SET COMB & LOCK | SW SET COMB & LOCK | 1 | |
| | 35101-KXCX-325-M2 | 35101-KXCX-325-M2 | SW SET COMB & LOCK | SW SET COMB & LOCK | 1 | |
| | 35102-KKBK-91A | 35102-KKBK-91A | COLLAR MAIN SW | COLLAR MAIN SW | 1 | |
| | 35102-KKBK-91B | 35102-KKBK-91B | COLLAR MAIN SW | COLLAR MAIN SW | 1 | |
| | 35400 | 35400-KNBN-900 | RESISTER COMP | RESISTER COMP | 1 | |
| | 38110-GGS7-00A | 38110-GGS7-00A | HORN COMP | HORN COMP | 1 | |
| | 38110-GGS7-00B | 38110-GGS7-00B | HORN COMP | HORN COMP | 1 | |
| | 50123 | 50123-GBN2-000 | PLATE HANDLE LOCK | PLATE HANDLE LOCK | 1 | |
| | 90112 | 90112-KRDR-900 | BOLT FLANGE 5*22 | BOLT FLANGE 5*22 | 1 | |
| | 90164 | 90164-0H28-900 | SCREW FLAT U LOCK 6*12 | SCREW FLAT U LOCK 6*12 | 2 | |
| | 95701-06012 | 95701-06012-08 | BOLT FLANGE 6*12 | BOLT FLANGE 6*12 | 3 | |
| | 95701-06014 | 95701-06014-08 | BOLT FLANGE 6*14 | BOLT FLANGE 6*14 | 1 | |



| Sales mark | Ref no | Part no | Description | Reg description | Regd no | F20 |
|------------|--------|---------|-------------|-----------------|---------|------------|
|------------|--------|---------|-------------|-----------------|---------|------------|

98200

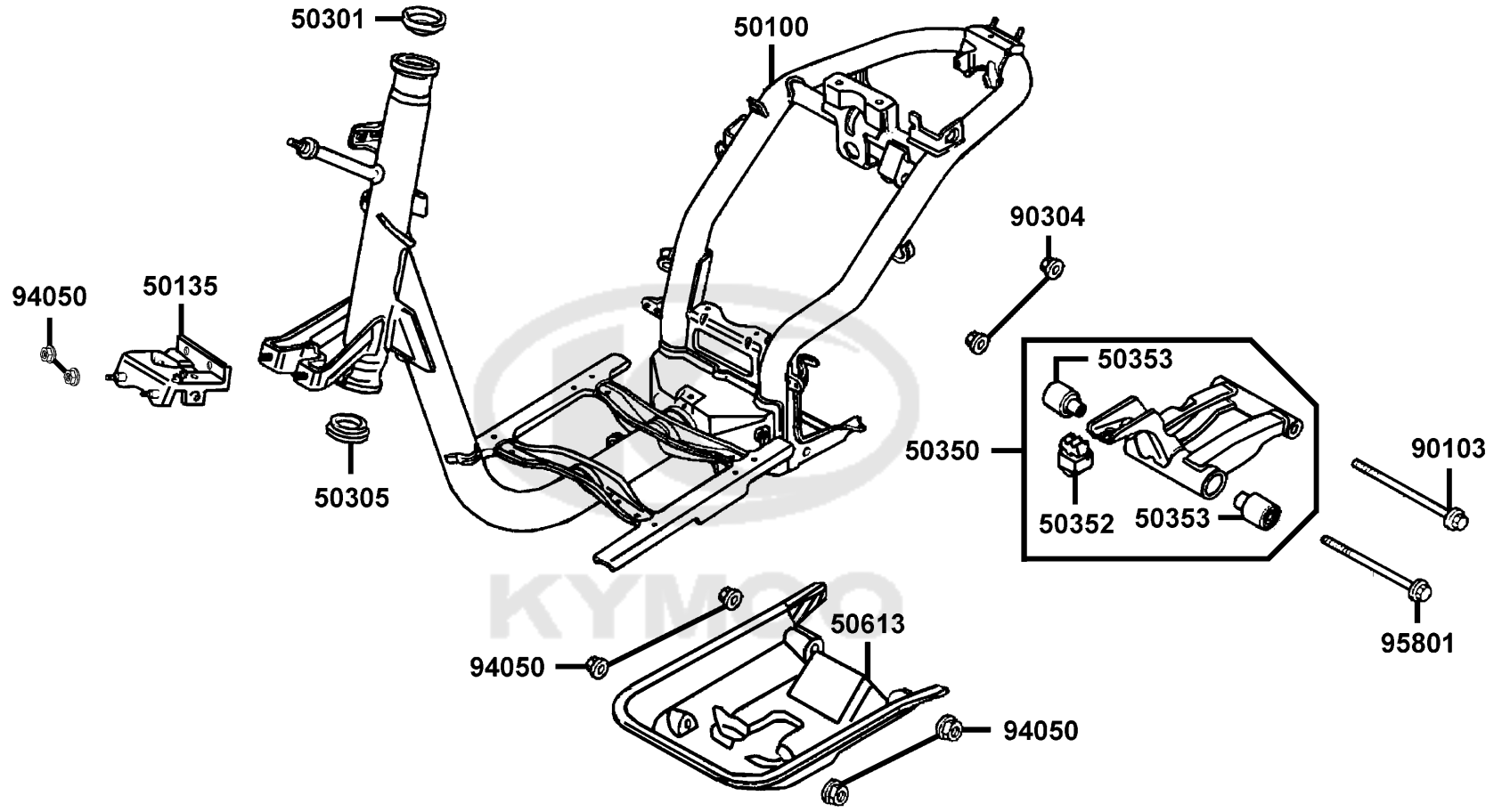
98200-10700

FUSE A7

FUSE A7

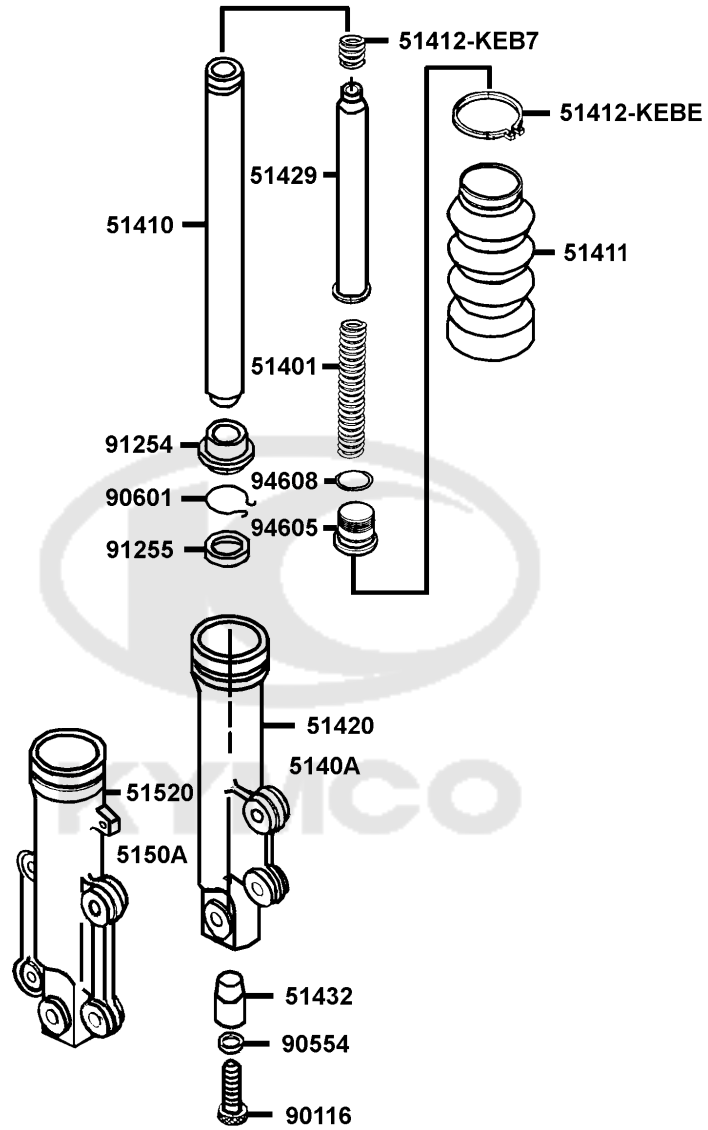
1



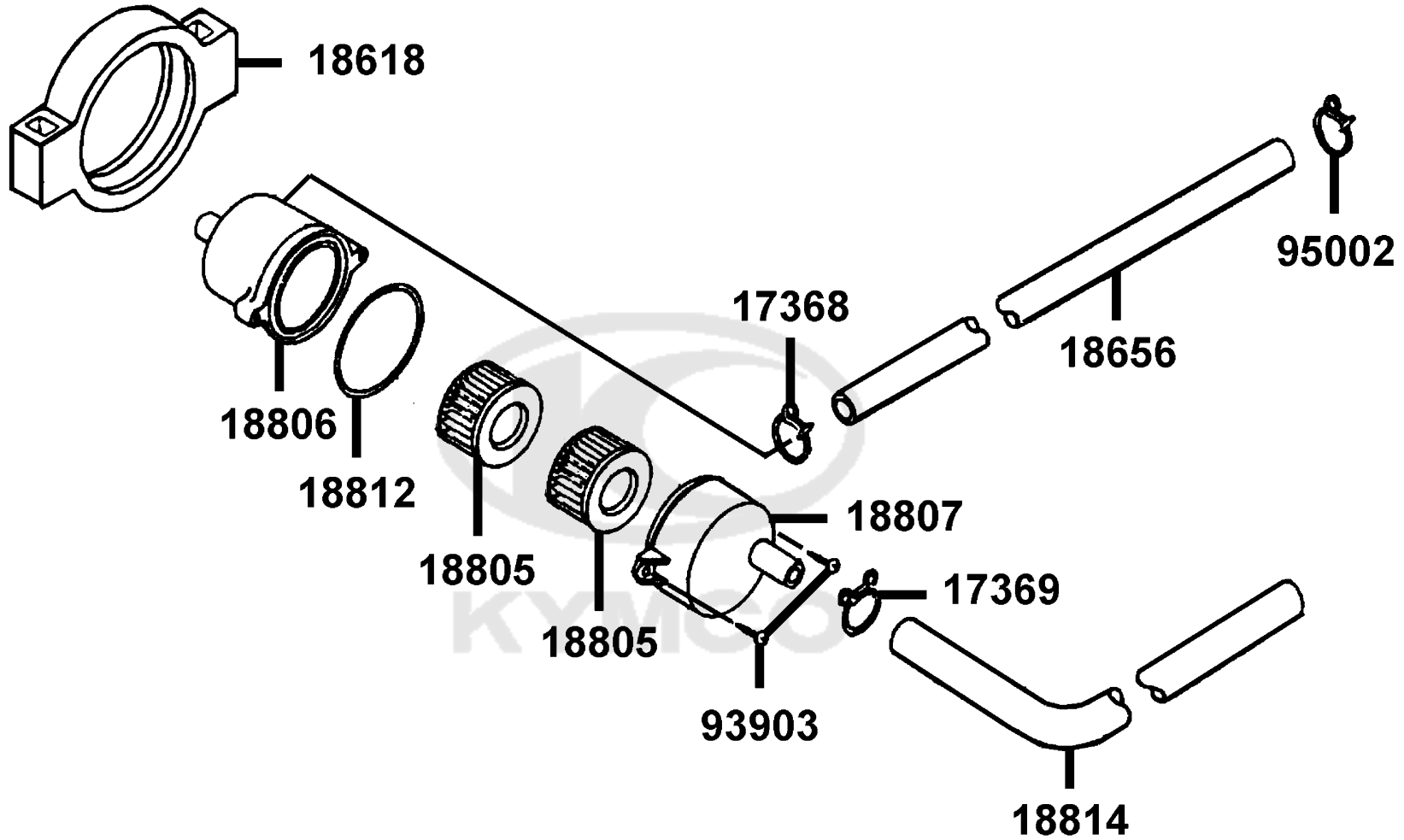


| Sales mark | Ref no | Part no | Description | Reg description | Regd no | F21 |
|------------|--------|----------------|---------------------------|---------------------------|---------|-----|
| 50100 | | 50100-KXCX-EZ0 | FRAME BODY COMP | FRAME BODY COMP | 1 | |
| 50135 | | 50135-KACA-900 | STAY FR BUMPER | STAY FR BUMPER | 1 | |
| 50301 | | 50301-GLM0-001 | RACE UP STRG BALL | RACE UP STRG BALL | 1 | |
| 50305 | | 50305-GHC8-004 | RACE (UNDER STR) BALL | RACE (UNDER STR) BALL | 1 | |
| 50350 | | 50350-KELE-900 | LINK ASSY ENG HANGER | LINK ASSY ENG HANGER | 1 | |
| 50352 | | 50352-KXCX-900 | RUBBER LINK STOPPER | RUBBER LINK STOPPER | 1 | |
| 50353 | | 50353-GHE8-001 | ENGINE HANGER RUBBER BUSH | ENGINE HANGER RUBBER BUSH | 2 | |
| 50613 | | 50613-KACA-E00 | COVER UNDER | COVER UNDER | 1 | |
| 90103 | | 90103-1G47-001 | BOLT FLANGE 10*148 | BOLT FLANGE 10*148 | 1 | |
| 90304 | | 90304-GHE8-004 | NUT U 10MM | NUT U 10MM | 2 | |
| 94050 | | 94050-06080 | NUT FLANGE 6MM | NUT FLANGE 6MM | 6 | |
| 95801 | | 95801-10140-08 | BOLT FLANGE 10*140 | BOLT FLANGE 10*140 | 1 | |

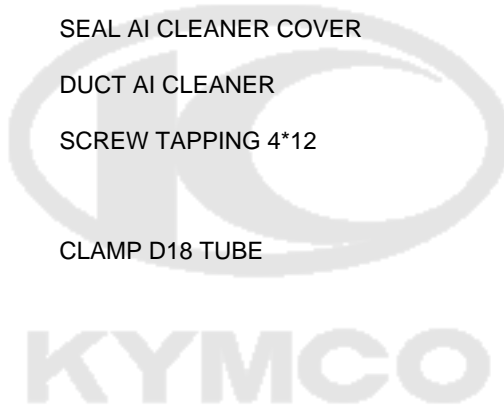
Separated Parts Of Fr Fork



| Sales mark | Ref no | Part no | Description | Reg description | Regd no | F22 |
|------------|------------|----------------|-----------------------|-----------------------|---------|-----|
| | 51401 | 51401-KXCX-E90 | SPRING | SPRING | 2 | |
| | 51410 | 51410-KXCX-E90 | FORK PIPE COMP | FORK PIPE COMP | 2 | |
| | 51411 | 51411-KEB7-900 | BOOT | BOOT | 2 | |
| | 51412-KEB7 | 51412-KEB7-900 | REBOUND SPRING | REBOUND SPRING | 2 | |
| | 51412-KEBE | 51412-KEBE-E00 | BOOT BAND | BOOT BAND | 2 | |
| ** | 51420 | 51420-KEB7-800 | BOTTOM CASE R | BOTTOM CASE R | 1 | |
| | 51429 | 51429-KXCX-E90 | PIPE SEAT COMP | PIPE SEAT COMP | 2 | |
| | 51432 | 51432-KGM7-911 | OIL LOCK PIECE | OIL LOCK PIECE | 2 | |
| ** | 51520 | 51520-KEB7-800 | BOTTOM CASE L | BOTTOM CASE L | 1 | |
| | 90116 | 90116-3C83-72A | BOLT | BOLT SOCKET 8*27 | 2 | |
| | 90554 | 90554-2C83-001 | PACKING | WASHER SPECIAL 8MM | 2 | |
| | 90601 | 90601-3D54-001 | RING OIL-SEAL STOPPER | RING OIL-SEAL STOPPER | 2 | |
| | 91254 | 91254-KEC5-004 | DUST SEAL | DUST SEAL | 2 | |
| | 91255 | 91255-4F46-014 | OIL SEAL | OIL SEAL | 2 | |
| | 94605 | 94605-KEBE-900 | FORK BOLT | FORK BOLT | 2 | |
| | 94608 | 94608-30000 | O-RING | O-RING | 2 | |



| Sales mark | Ref no | Part no | Description | Reg description | Regd no | F23 |
|------------|--------|----------------|-------------------------|-------------------------|---------|------------|
| 17368 | | 17368-KDB4-670 | CLIP B 14.5 TUBE | CLIP B 14.5 TUBE | 1 | |
| 17369 | | 17369-KDB4-671 | CLIP BREATHER TUBE | CLIP BREATHER TUBE | 1 | |
| 18618 | | 18618-KBE2-900 | RUBBER AI CLEANER MOUNT | RUBBER AI CLEANER MOUNT | 1 | |
| 18656 | | 18656-KXCX-EZ0 | TUBE AI/C REED VALVE | TUBE AI/C REED VALVE | 1 | |
| 18805 | | 18805-KHB4-910 | ELEMENT AI CLEANER | ELEMENT AI CLEANER | 2 | |
| 18806 | | 18806-KBE2-900 | CASE AI CLEANER | CASE AI CLEANER | 1 | |
| 18807 | | 18807-KBE2-900 | COVER AI CLEANER | COVER AI CLEANER | 1 | |
| 18812 | | 18812-KBE2-900 | SEAL AI CLEANER COVER | SEAL AI CLEANER COVER | 1 | |
| 18814 | | 18814-KXCX-EZ0 | DUCT AI CLEANER | DUCT AI CLEANER | 1 | |
| 93903 | | 93903-34320 | SCREW TAPPING 4*12 | SCREW TAPPING 4*12 (C) | 2 | |
| 95002 | | 95002-KKD6-E05 | CLAMP D18 TUBE | CLAMP D18 TUBE | 1 | |



Caution Label

| | |
|---|---|
| <ul style="list-style-type: none"> ■ Be sure to wear safety helmet when riding ■ Do not exceed the speed specified by law when riding ■ The exhaust pipe temperature is very high after riding. Be sure to park the motorcycle in a place not easily touched by people ■ Make sure to perform the specified safety inspection before riding | <p>(Safety Inspection Items)</p> <p>Brake performance, tires, 2cycle motor oil, lights, horn, and instrument panel</p> <p>KWANG YANG MOTOR CO.,LTD.</p> |
| <ul style="list-style-type: none"> □ Please read the User's manual carefully to secure driving safety □ Be sure to observe the traffic rules and perform regular maintenance <li style="padding-left: 20px;">No more than two persons shall ride on one motorcycle | |

87560

CAUTIONS

Before starting the engine, the side stand shall be kicked up to secure safety.

87541

CAUTIONS

| | | |
|---|------------------------------|-----------------------------|
| Tire Size | Front 110/70-12 58J | Rear 120/70-12 58J |
| (One Rider) | Front 1.75kg/cm ² | Rear 1.75kg/cm ² |
| (Two Rider) | Front 1.75kg/cm ² | Rear 2.0 kg/cm ² |
| Load Capacity | Shield 15kg Rear carrier 3kg | |
| | Inner box under saddle 10kg | |
| (Note: The tire pressure must not overpass 2.5 kg/cm ²) | | |

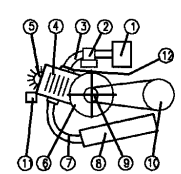
When refilling gasoline, check the motor oil level. Riding with insufficient motor oil will cause breakdown easily.

87505

USE UNLEADED GASOLINE ONLY

87501

| | |
|------------------------|---------------------|
| TRADE NAME: KYMCO ZX50 | 1. KYMCO KGA |
| VEHICLE CATEGORY: A | 2. KEIHN PA |
| | 3. KY GR1 |
| | 4. KYMCO GR1 |
| | 5. KYMCO GR1 |
| | 6. KYMCO KCX |
| | 7. ----- |
| | 8. [] KYMCO KCXII |
| | 9. KY GAK φ88 |
| | 10. KCX φ118 |
| | 11. KYMCO KCX |
| | 12. ----- |
| | Xref: isog4 KCX-E20 |



87224

CAUTION

- The weight of articles put in the inner box shall not exceed 1.5kgs
- Water may enter into the box when washing the motorcycle be careful when putting important articles in it.

81218

CAUTIONS

Never put any article between the rear side cover and the engine to avoid interference of riding.

87542



| Sales mark | Ref no | Part no | Description | Reg description | Regd no | F24 |
|------------|--------|----------------|------------------------|------------------------|---------|------------|
| ** | 81218 | 81218-KCAC-P00 | CAUTION INNER BOX | CAUTION INNER BOX | 1 | |
| ** | 87224 | 87224-KXCX-EZ0 | CAUTION ANTI TAMPERING | CAUTION ANTI TAMPERING | 1 | |
| ** | 87501 | 87501-KRDR-E00 | CAUTION USE GAS ONLY | CAUTION USE GAS ONLY | 1 | |
| ** | 87505 | 87505-KXCX-E20 | LABEL TIRE | LABEL TIRE | 1 | |
| ** | 87541 | 87541-GAR1-E00 | CAUTION SIDE STAND | CAUTION SIDE STAND | 1 | |
| ** | 87542 | 87542-GAR1-E00 | MARK MAINT CAUTION | MARK MAINT CAUTION | 1 | |
| ** | 87560 | 87560-GAR1-E00 | MARK DRIVE CAUTION | MARK DRIVE CAUTION | 1 | |

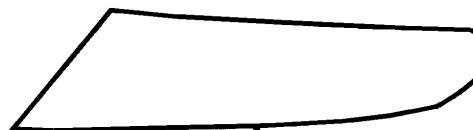




86341



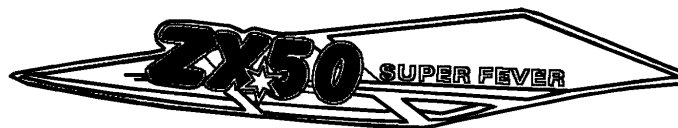
87532



86351



86221



86231



86283



86282



87551



86101



87161

| Sales mark | Ref no | Part no | Description | Reg description | Regd no | F25 |
|------------|--------|---------|-------------|-----------------|---------|------------|
|------------|--------|---------|-------------|-----------------|---------|------------|

| | | | | | | |
|----|-------|----------------|--------------|--------------|---|--|
| ** | 87161 | 87161-KCAC-920 | STRIPE KYMCO | STRIPE KYMCO | 1 | |
| ** | 87532 | 87532-KGAG-V00 | MARK KYMCO | MARK KYMCO | 1 | |
| ** | 87551 | 87551-KACA-900 | EMB FR COVER | EMB FR COVER | 3 | |



PART NO. INDEX

| PART NO. | VERSION | PAGE | PART NO. | VERSION | PAGE | PART NO. | VERSION | PAGE |
|----------------|---------|------|----------------|---------|------|-------------------|---------|------|
| 1000 | | | 4000 | | | 13000 | | |
| 1010-OAGH-9900 | 0 | E11 | 4000-039-0000 | 0 | E11 | 13000-GAR1-960 | 4 | E10 |
| 1014-240H-9900 | 0 | E11 | | | | 13011-GLW0-90A | 4 | E10 |
| 1019-GW3H-9800 | 0 | E11 | 11000 | | | 13101-GLW0-901 | 2 | E10 |
| 1020-GR1H-9310 | 0 | E11 | | | | 13111-1F66-001 | 2 | E10 |
| 1028-187H-0030 | 0 | E11 | 11102-GLW0-004 | 0 | E09 | 13115-1F56-001 | 0 | E10 |
| 1030-868-2100 | 0 | E11 | 1110A-GAR1-941 | 1 | E09 | | | |
| 1031-GN2H-8710 | 0 | E11 | 11200-KXCX-306 | 6 | E09 | 14000 | | |
| 1034-KG8H-9020 | 0 | E11 | 11203-GGC7-301 | 2 | E09 | | | |
| 1051-490H-9920 | 0 | E11 | 11203-KHG8-301 | 2 | E08 | 14100-GAR1-941 | 0 | E09 |
| 105B-046H-9901 | 0 | E11 | 11205-GHAH-004 | 0 | E05 | | | |
| 105J-69AH-9901 | 0 | E11 | 11205-GHAH-004 | 0 | E09 | 15000 | | |
| 106B-KG8H-9804 | 0 | E11 | 11206-KXCX-E00 | 1 | E09 | | | |
| 1300-GR1H-9310 | 0 | E11 | 11208-KXCX-901 | 1 | E09 | 15100-GAR1-C00 | 0 | E09 |
| 1300-GW3H-Q800 | 0 | E11 | 11340-KXCX-900 | 1 | E05 | 15110-GGS7-901 | 0 | E09 |
| 1300-KG8H-9010 | 0 | E11 | 11395-KXCX-900 | 0 | E05 | 1552A-GAR1-E00 | 0 | E09 |
| 1300-KG8H-Q010 | 0 | E11 | | | | 15772-5A51-001 | 1 | F12 |
| 1703-GJ2H-0040 | 0 | E11 | 12000 | | | 15772-5L00-013 | 1 | F14 |
| 1738-GJ2H-0040 | 0 | E11 | | | | | | |
| 1782-KG8H-9010 | 0 | E11 | 12101-GLW0-901 | 2 | E02 | 16000 | | |
| 1795-KG8H-9010 | 0 | E11 | 12191-GLW0-902 | 0 | E02 | | | |
| | | | 12201-GAR1-931 | 0 | E02 | 16075-KG8-9010-M1 | 0 | E11 |
| | | | 12251-GLW0-001 | 0 | E02 | 16076-ND5-0040 | 0 | E11 |
| | | | 12311-KTCT-500 | 5 | F15 | 16079-NC5-0040 | 0 | E11 |

PART NO. INDEX

| PART NO. | VERSION | PAGE | PART NO. | VERSION | PAGE | PART NO. | VERSION | PAGE |
|-------------------|---------|------|----------------|---------|------|----------------|---------|------|
| 1610K-KCX-EZ0 | 0 | E11 | 17257-KXCX-900 | 0 | F14 | | | |
| 16162-KG8-9010-M1 | 0 | E11 | 17368-KDB4-670 | 2 | F23 | 19000 | | |
| 16185-KTCT-500 | 0 | F15 | 17369-KDB4-671 | 1 | F23 | | | |
| 1621A-GMAM-000 | 0 | E09 | 17500-KXCX-E10 | 3 | F10 | 19510-GLW0-902 | 1 | E03 |
| 16620-KEB7-E00 | 1 | E11 | 17502-1G87-001 | 0 | F12 | 19600-GAR1-941 | 1 | E01 |
| 16630-GAR1-E00 | 0 | E01 | 17620-GGS7-E10 | 4 | F10 | 19616-GAR1-941 | 0 | E01 |
| 1691A-GFY6-90A | 4 | F10 | 17910-KSBS-200 | 7 | F03 | 19620-GAR1-E00 | 1 | E01 |
| 1691A-GFY6-90B | 3 | F10 | | | | | | |
| 16950-KKJ9-75A | 3 | F10 | 18000 | | | 21000 | | |
| 17000 | | | 18291-LEA5-E00 | 1 | F15 | 21200-KXCX-305 | 0 | E08 |
| | | | 18294-KTCT-900 | 0 | F15 | 21395-KXCX-900 | 0 | E08 |
| 17100-GAR1-E00 | 0 | E09 | 1830A-KXCX-EZ0 | 5 | F15 | | | |
| 17111-GLW0-001 | 1 | E09 | 18315-KXCX-900 | 0 | F15 | 22000 | | |
| 17112-GLW0-001 | 0 | E09 | 18318-KXCX-900 | 1 | F15 | | | |
| 17205-GAR1-751 | 0 | F14 | 18325-KTCT-500 | 0 | F15 | 22100-GAR1-751 | 1 | E07 |
| 17206-GAR1-931 | 3 | F14 | 18601-KFB5-900 | 0 | F15 | 22102-GHAH-920 | 0 | E06 |
| 17207-GAR1-930 | 4 | F14 | 18612-KFB5-900 | 1 | F15 | 22105-KXCX-EZ0 | 0 | E06 |
| 17208-KXCX-900 | 0 | F14 | 18618-KBE2-900 | 0 | F23 | 22110-KFA1-220 | 0 | E06 |
| 1720A-KXCX-900 | 0 | F14 | 18656-KXCX-EZ0 | 0 | F23 | 22121-GHT8-602 | 1 | E06 |
| 1720B-KXCX-E00 | 1 | F14 | 18805-KHB4-910 | 0 | F23 | 22131-GHAH-781 | 0 | E06 |
| 17212-GAR1-751 | 0 | F14 | 18806-KBE2-900 | 1 | F23 | 22132-GLW0-001 | 2 | E06 |
| 17214-GAR1-711 | 0 | F14 | 18807-KBE2-900 | 3 | F23 | 22300-KXCX-900 | 2 | E07 |
| 17218-KXCX-900 | 0 | F14 | 18812-KBE2-900 | 0 | F23 | 22350-GKAK-930 | 1 | E07 |
| 17253-KXCX-E00 | 0 | F14 | 18814-KXCX-EZ0 | 1 | F23 | 22401-GBG2-900 | 0 | E07 |
| 17254-KACA-P00 | 0 | F14 | | | | 22530-GKAK-930 | 1 | E07 |

PART NO. INDEX

| PART NO. | VERSION | PAGE | PART NO. | VERSION | PAGE | PART NO. | VERSION | PAGE |
|----------------|---------|------|--------------------|---------|------|----------------|---------|------|
| 22804-1H48-001 | 0 | E07 | | | | 32120-1E55-001 | 0 | F20 |
| | | | 30000 | | | 32906-1G07-001 | 0 | E05 |
| 23000 | | | | | | 32906-GBR2-701 | 0 | E09 |
| | | | 30400-KXCX-E01 | 0 | F11 | | | |
| 2301A-KXCX-900 | 3 | E07 | 3051A-KXCX-910 | 3 | F20 | 33000 | | |
| 23100-KXCX-900 | 0 | E07 | 30700-KXCX-910 | 1 | F20 | | | |
| 23200-GAR1-751 | 0 | E07 | | | | 33100-KKDK-E00 | 2 | F01 |
| 23220-KXCX-900 | 0 | E07 | 31000 | | | 33120-KKDK-E00 | 0 | F01 |
| 23225-GAR1-751 | 0 | E07 | | | | 33130-KKDK-E00 | 0 | F01 |
| 23233-GHE8-001 | 2 | E07 | 31110-KSBS-901 | 0 | E03 | 33400-KACA-E10 | 1 | F18 |
| 23237-GAR1-881 | 0 | E07 | 31110-KSBS-901-406 | 0 | E03 | 33402-KACA-900 | 2 | F18 |
| 23238-GFY6-941 | 0 | E07 | 31110-KSBS-90A | 0 | E03 | 33403-KACA-E00 | 0 | F18 |
| 23411-GLZ0-001 | 0 | E08 | 31120-GAR1-941 | 1 | E03 | 33450-KACA-E10 | 1 | F18 |
| 23420-GAR1-901 | 0 | E08 | 31120-GAR1-94A | 0 | E03 | 33452-KACA-900 | 2 | F18 |
| 23431-KXCX-900 | 2 | E08 | 31120-GAR1-94B | 1 | E03 | 33453-KACA-E00 | 0 | F18 |
| 23432-GLW0-901 | 0 | E08 | 31200-GAR1-931 | 1 | E04 | 33600-KPCP-902 | 0 | F18 |
| | | | 31200-GAR1-93A | 0 | E04 | 33602-KPCP-900 | 1 | F18 |
| 28000 | | | 31209-GAR1-751 | 0 | E04 | 33650-KPCP-902 | 0 | F18 |
| | | | 31500-KCAC-90A | 8 | F11 | 33652-KPCP-900 | 1 | F18 |
| 28223-GHAH-721 | 0 | E06 | 31600-KUDU-900 | 2 | F20 | 33701-KPCP-900 | 1 | F19 |
| 28230-GHAH-721 | 1 | E06 | 3195A-KXCX-E00 | 0 | F20 | 33702-KPCP-900 | 0 | F19 |
| 28250-GBN2-602 | 0 | E06 | | | | 33705-GCN3-67A | 0 | F19 |
| 28253-GBN2-60A | 0 | E06 | 32000 | | | 33706-GCN3-67A | 0 | F19 |
| 28281-GBN2-60A | 1 | E06 | | | | 33709-KBAB-003 | 0 | F19 |
| 28300-GGS7-901 | 2 | F16 | 32100-KXCX-E10 | 0 | F20 | 33741-GFY6-C30 | 1 | F05 |
| | | | 32101-GFY6-901 | 1 | F04 | 33741-KABA-900 | 0 | F19 |

PART NO. INDEX

| PART NO. | VERSION | PAGE | PART NO. | VERSION | PAGE | PART NO. | VERSION | PAGE |
|-------------------|---------|------|-------------------|---------|------|----------------|---------|------|
| 33901-KXCX-910 | 0 | F18 | 35180-GFY6-900 | 2 | F03 | 38501-GBN2-00A | 1 | F11 |
| 33906-KXCX-900 | 0 | F18 | 35190-GFY6-900 | 4 | F03 | | | |
| 33951-KXCX-910 | 0 | F18 | 35200-GFY6-910 | 1 | F03 | 42000 | | |
| 34000 | | | 35340-KABA-900 | 1 | F03 | | | |
| | | | 35340-KNBN-901 | 0 | F04 | 42601-KEB7-E0E | 2 | F08 |
| 34901-KBAB-900 | 0 | F01 | 35400-KNBN-900 | 0 | F20 | 42710-KXCX-E1B | 6 | F08 |
| 34903-KPCP-900 | 0 | F01 | 35410-GAR1-900 | 1 | F12 | 42753-0D04-900 | 1 | F07 |
| 34905-GKM9-003 | 0 | F18 | 37000 | | | 42753-KXCX-900 | 1 | F08 |
| 34905-KPCP-900 | 0 | F18 | | | | 43000 | | |
| 34906-KPCP-900 | 0 | F19 | 37200-KXCX-E10 | 2 | F02 | | | |
| 34908-GGA7-70A | 1 | F02 | 37200-KXCX-E20 | 2 | F02 | 43108-KFS6-07A | 0 | F07 |
| 34908-GGA7-70A | 1 | F19 | 37211-GGS7-900-LI | 0 | F02 | 43109-MCA3-007 | 0 | F07 |
| 34908-MKB9-87A | 0 | F02 | 37211-GGS7-900-SA | 0 | F02 | 4312A-KXCX-900 | 8 | F08 |
| 35000 | | | 37212-GGS7-900 | 0 | F02 | 43141-GKAK-901 | 3 | F08 |
| | | | 37213-GGS7-900 | 0 | F02 | 43209-MCA3-007 | 0 | F07 |
| 35010-KXCX-E0A | 3 | F20 | 37801-GGA7-701 | 1 | F10 | 43352-5H68-004 | 3 | F07 |
| 35010-KXCX-E0B | 2 | F20 | 37802-GGA7-701 | 2 | F10 | 43353-4A61-77A | 0 | F07 |
| 35101-KXCX-325-M1 | 2 | F20 | 3780A-KXCX-900 | 1 | F10 | 43410-KFA1-900 | 0 | F08 |
| 35101-KXCX-325-M2 | 1 | F20 | 38000 | | | 43452-GBN2-601 | 0 | E05 |
| 35102-KKBK-91A | 0 | F20 | | | | 4345A-KXCX-901 | 3 | F03 |
| 35102-KKBK-91B | 0 | F20 | 38110-GGS7-00A | 8 | F20 | 43472-1A61-001 | 2 | F03 |
| 35150-GFY6-900 | 4 | F03 | 38110-GGS7-00B | 7 | F20 | 44000 | | |
| 35160-GFY6-900 | 2 | F03 | 38301-GGS7-005 | 3 | F02 | | | |
| 35170-KNBN-910 | 1 | F03 | 38501-GBN2-004 | 1 | F11 | 44311-GLW0-911 | 0 | F07 |

PART NO. INDEX

| PART NO. | VERSION | PAGE | PART NO. | VERSION | PAGE | PART NO. | VERSION | PAGE |
|-------------------|---------|------|-------------------|---------|------|----------------|---------|------|
| 44620-KEB7-E00 | 0 | F07 | 45517-KFAF-910 | 0 | F04 | | | |
| 44650-KEB7-315 | 2 | F07 | 45530-KXCX-306-US | 0 | F04 | 51000 | | |
| 44710-KFA5-90B | 1 | F07 | 45531-GAR1-951 | 0 | F07 | | | |
| 44800-KXCX-E00 | 6 | F07 | | | | 51401-KXCX-E90 | 0 | F22 |
| 44830-KXCX-901 | 4 | F02 | 50000 | | | 5140A-KXCX-E00 | 2 | F06 |
| 44831-KXCX-900 | 0 | F02 | | | | 51410-KXCX-E90 | 0 | F22 |
| 45000 | | | 50100-KXCX-EZ0 | 4 | F21 | 51411-KEB7-900 | 0 | F22 |
| | | | 50123-GBN2-000 | 1 | F20 | 51412-KEB7-900 | 0 | F22 |
| | | | 50135-KACA-900 | 1 | F21 | 51412-KEBE-E00 | 0 | F22 |
| 45100-KXCX-E00 | 4 | F07 | 50301-GLM0-001 | 0 | F21 | 51420-KEB7-800 | 1 | F22 |
| 45105-KXCX-305-M2 | 0 | F07 | 50305-GHC8-004 | 0 | F21 | 51429-KXCX-E90 | 0 | F22 |
| 45110-KXCX-E00 | 1 | F07 | 50306-KCAC-900 | 1 | F06 | 51432-KGM7-911 | 0 | F22 |
| 45121-KECE-900 | 1 | F07 | 50326-GGS7-001 | 0 | F11 | 5150A-KXCX-E00 | 3 | F06 |
| 45126-KXCX-E10 | 0 | F04 | 50350-KELE-900 | 4 | F21 | 51520-KEB7-800 | 0 | F22 |
| 45128-KEB7-900 | 0 | F06 | 50352-KXCX-900 | 0 | F21 | | | |
| 45131-1F66-017 | 0 | F07 | 50353-GHE8-001 | 0 | F21 | 52000 | | |
| 45131-HEA5-67A | 0 | F07 | 50500-KXCX-900 | 4 | F16 | | | |
| 45132-1F66-017 | 0 | F07 | 50503-GAR1-001 | 0 | F16 | 52400-KXCX-E00 | 3 | F17 |
| 45133-0H28-001 | 1 | F08 | 50505-KXCX-900 | 0 | F15 | | | |
| 45133-MCA3-007 | 0 | F07 | 50530-KXCX-900 | 1 | F16 | 53000 | | |
| 45156-KDLD-901 | 2 | F06 | 50532-KGN7-671 | 0 | F16 | | | |
| 45203-MCG3-007 | 0 | F07 | 50550-KXCX-J00 | 2 | F16 | 53100-KXCX-E00 | 1 | F03 |
| 45215-KCA3-73A | 0 | F07 | 50613-KACA-E00 | 1 | F21 | 53105-KNBN-910 | 1 | F03 |
| 45465-KEB7-E00 | 0 | F06 | | | | 53140-KNBN-960 | 0 | F03 |
| 45513-GLW0-91A | 0 | F04 | | | | 53166-KNBN-911 | 0 | F03 |
| 45517-GFY6-900 | 5 | F03 | | | | 53167-GBN2-021 | 1 | F03 |

PART NO. INDEX

| PART NO. | VERSION | PAGE | PART NO. | VERSION | PAGE | PART NO. | VERSION | PAGE |
|----------------|---------|------|-------------------|---------|------|----------------|---------|------|
| 53168-GBN2-021 | 1 | F03 | | | | | | |
| 53172-KACA-900 | 1 | F03 | 64000 | | | 80000 | | |
| 53175-KXBX-E10 | 3 | F04 | | | | | | |
| 53178-KXCX-E00 | 0 | F03 | 64301-KXCX-305 | 0 | F05 | 80100-KEB7-900 | 0 | F19 |
| 5317A-KXCX-E00 | 1 | F03 | 64310-KACA-900 | 2 | F05 | 80100-KXCX-E00 | 2 | F19 |
| 53200-LLG7-900 | 0 | F06 | 64320-KACA-900 | 1 | F05 | 80104-KXCX-900 | 1 | F19 |
| 53205-KXCX-E00 | 0 | F03 | 64400-KACA-900 | 3 | F05 | 80105-KXCX-900 | 6 | F19 |
| 53206-KACA-900 | 1 | F03 | | | | 80108-KCAC-900 | 0 | F13 |
| 53211-GFY6-940 | 1 | F06 | 75000 | | | 80109-KEB7-900 | 0 | F19 |
| 53212-GHC8-004 | 1 | F06 | | | | 80151-KCAC-900 | 2 | F13 |
| 55000 | | | 75581-6C73-001 | 0 | F05 | 81000 | | |
| | | | 77000 | | | | | |
| 55100-KTCT-900 | 1 | F12 | | | | 81131-KACA-910 | 2 | F05 |
| 55102-1F66-001 | 0 | F12 | 77200-KXCX-E00 | 1 | F09 | 81132-GHAH-001 | 2 | F05 |
| 55105-GHK8-001 | 0 | F12 | 77232-GLW0-315-M2 | 0 | F05 | 81132-KKDK-900 | 1 | F05 |
| 55107-GHK8-001 | 0 | F12 | 77232-KCAC-901 | 2 | F13 | 81133-KNBN-901 | 0 | F05 |
| 55121-GGS7-901 | 0 | F12 | 77235-GGS7-901 | 0 | F13 | 81135-KGBG-900 | 2 | F05 |
| 5512A-GGS7-901 | 1 | F12 | 77239-GFY6-315-M1 | 0 | F13 | 81141-KACA-900 | 1 | F05 |
| 55201-1G87-001 | 0 | F12 | 77239-GFY6-315-M2 | 0 | F13 | 81142-KACA-900 | 0 | F05 |
| 61000 | | | 77240-GGS7-001 | 2 | F13 | 81146-GGS7-001 | 0 | F05 |
| | | | 77300-KXCX-900 | 1 | F13 | 81218-KCAC-P00 | 0 | F24 |
| | | | 77332-KPCP-E00 | 0 | F10 | 81252-GGS7-001 | 0 | F13 |
| 61110-KEB7-E00 | 0 | F06 | | | | 81253-GGS7-001 | 0 | F13 |
| 6111A-LLG7-900 | 1 | F06 | | | | 81260-KXCX-E00 | 7 | F13 |

PART NO. INDEX

| PART NO. | VERSION | PAGE | PART NO. | VERSION | PAGE | PART NO. | VERSION | PAGE | |
|----------------|----------------|------|----------------|----------------|------|----------------|----------------|------|-----|
| 83000 | | | 87541-GAR1-E00 | 1 | F24 | 90110-KEB7-900 | 1 | F06 | |
| | | | 87542-GAR1-E00 | 2 | F24 | 90111-1G47-001 | 0 | F13 | |
| | | | 87551-KACA-900 | 0 | F25 | 90112-GCC3-001 | 1 | F06 | |
| | 83500-KCAC-900 | 9 | F13 | 87560-GAR1-E00 | 3 | F24 | 90112-KRDR-900 | 0 | F20 |
| | 83505-KCAC-900 | 0 | F13 | | | | 90114-1F66-007 | 2 | F04 |
| 83600-KXCX-305 | 0 | F13 | 88000 | | | 90114-KXCX-900 | 1 | F14 | |
| 83750-KXCX-900 | 0 | F13 | | | | 90115-GLE0-001 | 0 | F03 | |
| 8375B-KCAC-901 | 0 | F13 | 88110-KXCX-E00 | 2 | F03 | 90115-KXCX-900 | 1 | F14 | |
| | | | 88120-KXCX-E00 | 2 | F03 | 90116-3C83-72A | 0 | F22 | |
| 86000 | | | 89000 | | | 90120-GAR1-J00 | 0 | E09 | |
| 86101-KXCX-E80 | 1 | F25 | | | | 90121-KBE2-981 | 4 | F07 | |
| 86221-KXCX-E80 | 1 | F25 | 89010-GGS7-C00 | 3 | F09 | 90131-GLW0-911 | 0 | F07 | |
| 86231-KXCX-E80 | 1 | F25 | | | | 90145-MKS9-61A | 1 | F04 | |
| 86282-KXCX-E80 | 1 | F25 | 90000 | | | 90164-0H28-900 | 2 | F20 | |
| 86283-KXCX-E80 | 2 | F25 | | | | 90201-GBR2-001 | 0 | E09 | |
| 86341-KXCX-E80 | 1 | F25 | 90001-GBHB-711 | 1 | E09 | 90202-1G87-001 | 0 | E07 | |
| 86351-KXCX-E80 | 1 | F25 | 90001-GBHB-751 | 1 | E09 | 90301-6D34-671 | 1 | F05 | |
| | | | 90001-GGA7-001 | 0 | E02 | 90301-6D34-671 | 1 | F13 | |
| 87000 | | | 90101-0G87-721 | 2 | F19 | 90301-KCAC-900 | 0 | F03 | |
| 87161-KCAC-920 | 1 | F25 | 90103-1G47-001 | 0 | F21 | 90302-GFY6-940 | 1 | F11 | |
| 87224-KXCX-EZ0 | 0 | F24 | 90105-KCR3-001 | 1 | F07 | 90302-KED5-900 | 2 | F13 | |
| 87501-KRDR-E00 | 2 | F24 | 90106-KFAF-900 | 2 | F13 | 90302-KNBN-900 | 1 | F03 | |
| 87505-KXCX-E20 | 0 | F24 | 90108-GFY6-901 | 0 | F16 | 90302-SDA4-004 | 2 | F13 | |
| 87532-KGAG-V00 | 5 | F25 | 90109-KCAC-900 | 1 | F19 | 90304-GHE8-004 | 0 | F21 | |
| | | | 90110-GLW0-001 | 0 | F05 | 90304-HCB3-77A | 1 | F15 | |
| | | | | | | 90305-KNBN-90B | 0 | F08 | |

PART NO. INDEX

| PART NO. | VERSION | PAGE | PART NO. | VERSION | PAGE | PART NO. | VERSION | PAGE |
|-------------------|---------|------|----------------|---------|------|----------------|---------|------|
| 90306-GLW0-90A | 1 | F07 | | | | 91508-KGV7-67A | 0 | F19 |
| 90309-KLF0-004-SY | 1 | E08 | 91000 | | | 91508-KNBN-901 | 1 | F13 |
| 90412-3K29-001 | 0 | E06 | | | | 92000 | | |
| 90426-KNBN-901 | 0 | E06 | 91001-GGA7-70A | 2 | E07 | | | |
| 90429-GBN2-004 | 0 | E08 | 91005-GCW3-95A | 5 | E09 | | | |
| 90442-0D44-001 | 0 | E07 | 91009-GLE0-004 | 1 | E08 | 92900-06018-1B | 0 | E02 |
| 90451-GBN2-601 | 0 | E06 | 91102-GLW0-009 | 0 | E10 | | | |
| 90452-1G07-001 | 0 | E08 | 91103-GAR1-004 | 0 | E07 | 93000 | | |
| 90454-3L50-001 | 0 | E08 | 91103-GAR1-00A | 0 | E07 | | | |
| 90454-GBB2-001 | 0 | E07 | 91201-KNBN-92A | 0 | E09 | 93404-06012-08 | 0 | F05 |
| 90474-3C33-001 | 1 | E08 | 91202-KNBN-92A | 0 | E09 | 93404-06016-06 | 0 | F19 |
| 90474-7D04-000 | 0 | F05 | 91202-KNBN-92B | 0 | E09 | 93404-06016-08 | 0 | F05 |
| 90501-KNBN-901 | 0 | F08 | 91204-GBN2-006 | 0 | E09 | 93404-06025-06 | 0 | F05 |
| 90545-3L00-001 | 2 | F04 | 91211-GHK8-014 | 1 | E07 | 93500-05012-0H | 0 | E09 |
| 90554-2C83-001 | 0 | F22 | 91254-KEC5-004 | 0 | F22 | 93500-05022-06 | 0 | F03 |
| 90601-3D54-001 | 0 | F22 | 91255-4F46-014 | 0 | F22 | 93600-04012-1G | 0 | F04 |
| 90651-GBHB-601 | 0 | F14 | 91255-GLE0-006 | 0 | E08 | 93700-05018-0H | 0 | F02 |
| 90677-GAR1-004 | 1 | F05 | 91258-KAM1-00A | 1 | F07 | 93891-05012-06 | 0 | F13 |
| 90677-GAR1-004 | 1 | F19 | 91301-0C53-001 | 0 | E08 | 93891-05025-06 | 0 | F03 |
| 90703-HDC4-001 | 1 | E05 | 91301-KEA5-742 | 0 | E07 | 93892-04008-18 | 0 | E11 |
| 90741-0E35-001 | 0 | E10 | 91302-PKA9-004 | 0 | E07 | 93892-04012-18 | 0 | E11 |
| 90754-GHC8-00A | 1 | F07 | 91304-GLB0-911 | 1 | E09 | 93893-04012-18 | 0 | F04 |
| 90912-GHC8-00A | 0 | F07 | 91309-GLF0-761 | 0 | E04 | 93901-32320 | 0 | F18 |
| 90912-GHC8-00D | 0 | F07 | 91352-KHG8-83B | 0 | F08 | 93903-14360 | 0 | F13 |
| | | | 91353-GFY6-900 | 0 | F08 | 93903-25320 | 0 | F02 |
| | | | 91407-SGA7-004 | 0 | F15 | 93903-25360 | 0 | F14 |

PART NO. INDEX

| PART NO. | VERSION | PAGE | PART NO. | VERSION | PAGE | PART NO. | VERSION | PAGE |
|----------------|---------|------|----------------|---------|------|----------------|---------|------|
| 93903-25660 | 0 | F14 | 94050-10080 | 0 | E03 | 9500A-35435-40 | 0 | F10 |
| 93903-34120 | 0 | F13 | 94050-10080 | 0 | E07 | 9500C-GGS7-001 | 1 | F10 |
| 93903-34320 | 0 | F01 | 94101-06000 | 0 | F15 | 9500E-GGS7-001 | 0 | F10 |
| 93903-34320 | 0 | F03 | 94101-06700 | 0 | F15 | 95015-32001 | 0 | F03 |
| 93903-34320 | 0 | F23 | 94111-06800 | 0 | F15 | 95015-42000 | 0 | F03 |
| 93903-34360 | 0 | F03 | 94251-08400 | 0 | F16 | 95701-06008-06 | 1 | F15 |
| 93903-34360 | 0 | F05 | 94301-08200 | 0 | E09 | 95701-06012-08 | 0 | F04 |
| 93903-34360 | 0 | F13 | 94301-10200 | 0 | E08 | 95701-06012-08 | 0 | F06 |
| 93903-34360 | 0 | F18 | 94510-20000 | 0 | E08 | 95701-06012-08 | 0 | F10 |
| 93903-44560 | 0 | F14 | 94511-14000 | 0 | E06 | 95701-06012-08 | 0 | F13 |
| 93903-GFY6-900 | 1 | F05 | 94520-24000 | 1 | E07 | 95701-06012-08 | 0 | F20 |
| | | | 94591-25000 | 0 | F01 | 95701-06014-08 | 0 | F20 |
| 94000 | | | 94591-27000 | 0 | F05 | 95701-06016-08 | 0 | F06 |
| | | | 94605-KEBE-900 | 1 | F22 | 95701-06022-06 | 1 | F04 |
| 94001-05080-0S | 0 | F03 | 94608-30000 | 0 | F22 | 95701-06022-06 | 1 | F16 |
| 94001-06080-0S | 0 | E09 | | | | 95701-06025-06 | 2 | F03 |
| 94001-12280-0S | 0 | E06 | 95000 | | | 95701-06025-08 | 0 | F15 |
| 94021-06020-0S | 0 | F05 | | | | 95701-06032-08 | 0 | F08 |
| 94050-05080 | 0 | F18 | 95001-KXCX-EZ0 | 0 | F15 | 95701-08012-08 | 0 | E08 |
| 94050-05080 | 0 | F19 | 95002-02070 | 0 | F10 | 95701-08035-06 | 1 | F15 |
| 94050-06080 | 0 | F04 | 95002-02080 | 0 | F10 | 95701-08040-08 | 0 | E08 |
| 94050-06080 | 0 | F09 | 95002-02100 | 0 | F12 | 95701-10040-08 | 0 | F17 |
| 94050-06080 | 0 | F10 | 95002-02650 | 0 | E09 | 95801-06040-08 | 0 | E09 |
| 94050-06080 | 0 | F13 | 95002-50000 | 0 | F12 | 95801-08035-08 | 0 | E08 |
| 94050-06080 | 0 | F15 | 95002-KKD6-E05 | 0 | F15 | 95801-08035-08 | 0 | F17 |
| 94050-06080 | 0 | F21 | 95002-KKD6-E05 | 0 | F23 | 95801-08040-08 | 0 | F06 |

PART NO. INDEX

| PART NO. | VERSION | PAGE | PART NO. | VERSION | PAGE | PART NO. | VERSION | PAGE |
|----------------|---------|------|----------------|---------|------|-------------|---------|------|
| 95801-10140-08 | 0 | F21 | | | | W9535-25000 | 0 | E11 |
| 95801-KFA6-E00 | 1 | F15 | 98000 | | | W9535-35000 | 0 | E11 |
| 96000 | | | 98076-5871G-00 | 0 | E02 | | | |
| | | | 98200-10700 | 0 | F11 | | | |
| 96001-06006-02 | 0 | F15 | 98200-10700 | 0 | F20 | | | |
| 96001-06012-02 | 0 | F15 | | | | | | |
| 96001-06012-08 | 0 | E03 | 99000 | | | | | |
| 96001-06016-08 | 0 | E01 | | | | | | |
| 96001-06016-08 | 0 | E03 | 99101-187-0750 | 0 | E11 | | | |
| 96001-06018-08 | 0 | E03 | | | | | | |
| 96001-06020-08 | 0 | E04 | K | | | | | |
| 96001-06028-08 | 0 | E09 | | | | | | |
| 96001-06032-08 | 0 | E05 | K378-001 | 0 | E11 | | | |
| 96001-06032-08 | 0 | E09 | KT425-KLE-9000 | 0 | E11 | | | |
| 96001-06040-08 | 0 | E09 | S | | | | | |
| 96001-06045-08 | 0 | E09 | | | | | | |
| 96001-06060-08 | 0 | E09 | | | | | | |
| 96001-06075-08 | 0 | E09 | S785-0820 | 0 | E11 | | | |
| 96100-62013-00 | 0 | E08 | S785-4310 | 0 | E11 | | | |
| 96100-62023-00 | 0 | E09 | S785-8640 | 0 | E11 | | | |
| 96100-62033-00 | 0 | E09 | | | | | | |
| 96211-05000 | 0 | F06 | W | | | | | |
| | | | W9113-04080 | 0 | E11 | | | |
| | | | W9525-20180 | 0 | E11 | | | |