

PARTS CATALOGUE



SCOOTERS

KL10SN(HL)

SUPER 8



Date : 2009/05/06

ABOUT THIS PARTS LIST

- This parts list is compiled all service parts for model KL10SN(HL).
- Any difference between color chart and motorcycle will be revised according to motorcycle.
- The sales mark:
 1. marking "***" must add color code in the end before ordering parts.
- When modification or additions to this parts list are made a revised edition at an appropriate time.

CONTENTS

● ABOUT THIS PARTS LIST	1
● COLOR CHART OF KL10SN(HL)	3
● CONTENTS-ENGINE GROUP	7
● CONTENTS-FRAME GROUP	8
● ENGINE PARTS LIST	11
● FRAME PARTS LIST	35
● PART NO. INDEX	87

NO	MODEL			KL10SN(HL) COLOR CHART			
	PHOTO NO			NO. 1	NO. 2	NO. 3	NO. 4
	BASIC COLOR			Bright Blue	Gray Metallic	Black	Pearly White
	CODE			Bright Blue	Gray Metallic	Black	Pearly White
	PARTS NAME	PARTS NO.	VERSION	PB107CA	NH202MA	NH001SA	NH193PA
1	SKIRT R SIDE	64305-LEJ2-E10	0	DG3	D26	D01	D25
2	SKIRT L SIDE	64306-LEJ2-E10	0				
3	CARRIER RR	81200-LEJ2-E10	0	N1A			
4	FENDER FR	61100-LEJ2-E10	0	BAP		N1P	
5	COVER FR	64301-LEJ2-E10	1	N1P			
6	COVER FR TOP	64309-LEJ2-E10	0				
7	COVER R SIDE	83520-LEJ2-E10	0				
8	COVER L SIDE	83620-LEJ2-E10	0				
9	COVER HANDLE FR	53205-LEJ2-E10	4	BAP	NYP	N1P	NVP
10	MOLE R SIDE	64302-LEJ2-E10	0				
11	MOLE L SIDE	64303-LEJ2-E10	0				
12	COVER R BODY	83500-LEJ2-E10	0	BAP	NYP	N1P	R9P
13	COVER L BODY	83600-LEJ2-E10	0				
14	COVER RR CENTER	83750-LEJ2-E10	0				
15	FORK ASSY RH FR	51400-LEJ2-E10	1	16A	NEA		
16	FORK ASSY LH FR	51500-LEJ2-E10	1				
17	WHEEL ASSY RR	42600-LEJ3-E10	0	16A	NE		
18	WHEEL CAST RR	42601-LEJ2-E10	0				
19	WHEEL ASSY FR	44600-LEJ3-E10	0				
20	WHEEL CAST FR	44601-LEJ3-E10	0				
21	COVER COMP L SIDE	11340-LEJ2-E10	0	NE			
22	STOPPER LUGGAGE	81133-KGBG-9000	0	NH268			
23	HOOK LUGGAGE	81134-KGBG-9000	2				
24	STRIPE MARK KYMCO	87556-LHB3-E00	0	T01			T02
25	STRIPE BODY COVER	86201-LHB3-E00	0	T01	T03	T02	T01
DATE OF STARTING-SALES							
DATE OF END-SALES							

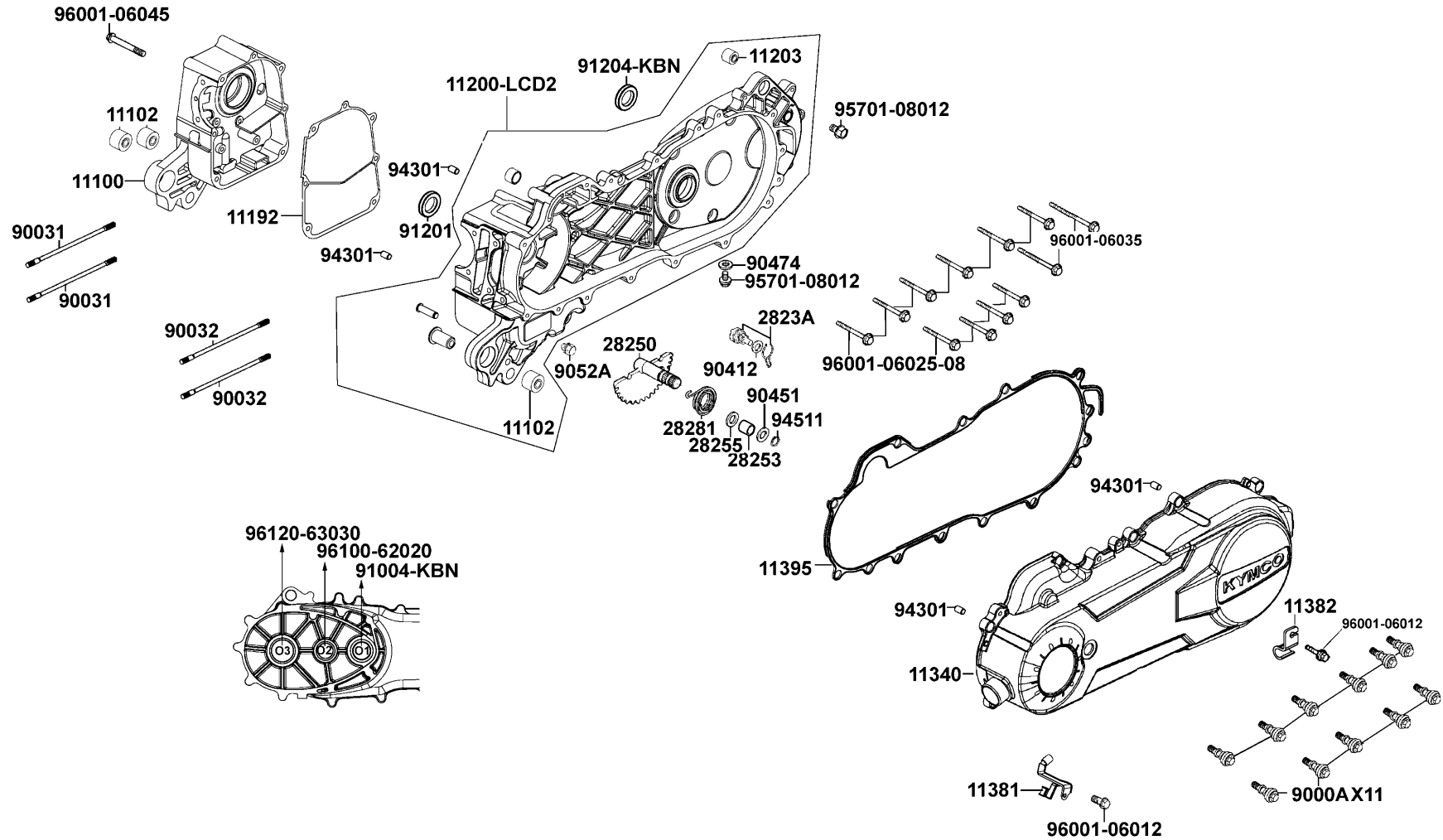
NO	MODEL			KL10SN(HL) COLOR CHART			
	PHOTO NO			NO. 5			
	BASIC COLOR			Bright Red			
	CODE			Bright Red			
	PARTS NAME	PARTS NO.	VERSION	RR136PA			
1	SKIRT R SIDE	64305-LEJ2-E10	0	DDT			
2	SKIRT L SIDE	64306-LEJ2-E10	0				
3	CARRIER RR	81200-LEJ2-E10	0	N1A			
4	FENDER FR	61100-LEJ2-E10	0	R9P			
5	COVER FR	64301-LEJ2-E10	1	N1P			
6	COVER FR TOP	64309-LEJ2-E10	0				
7	COVER R SIDE	83520-LEJ2-E10	0				
8	COVER L SIDE	83620-LEJ2-E10	0				
9	COVER HANDLE FR	53205-LEJ2-E10	4				
10	MOLE R SIDE	64302-LEJ2-E10	0	R9P			
11	MOLE L SIDE	64303-LEJ2-E10	0				
12	COVER R BODY	83500-LEJ2-E10	0				
13	COVER L BODY	83600-LEJ2-E10	0				
14	COVER RR CENTER	83750-LEJ2-E10	0				
15	FORK ASSY RH FR	51400-LEJ2-E10	1	NEA			
16	FORK ASSY LH FR	51500-LEJ2-E10	1				
17	WHEEL ASSY RR	42600-LEJ3-E10	0	NE			
18	WHEEL CAST RR	42601-LEJ2-E10	0				
19	WHEEL ASSY FR	44600-LEJ3-E10	0				
20	WHEEL CAST FR	44601-LEJ3-E10	0				
21	COVER COMP L SIDE	11340-LEJ2-E10	0				
22	STOPPER LUGGAGE	81133-KGBG-9000	0	NH268			
23	HOOK LUGGAGE	81134-KGBG-9000	2				
24	STRIPE MARK KYMCO	87556-LHB3-E00	0	T01			
25	STRIPE BODY COVER	86201-LHB3-E00	0	T02			
DATE OF STARTING-SALES							
DATE OF END-SALES							

CONTENTS - FRAME GROUP

F19 Wire Harness	F20 Frame Body	F21 Air Cleaner Two
<h2>F22 Emblem Stripe</h2>		

E01

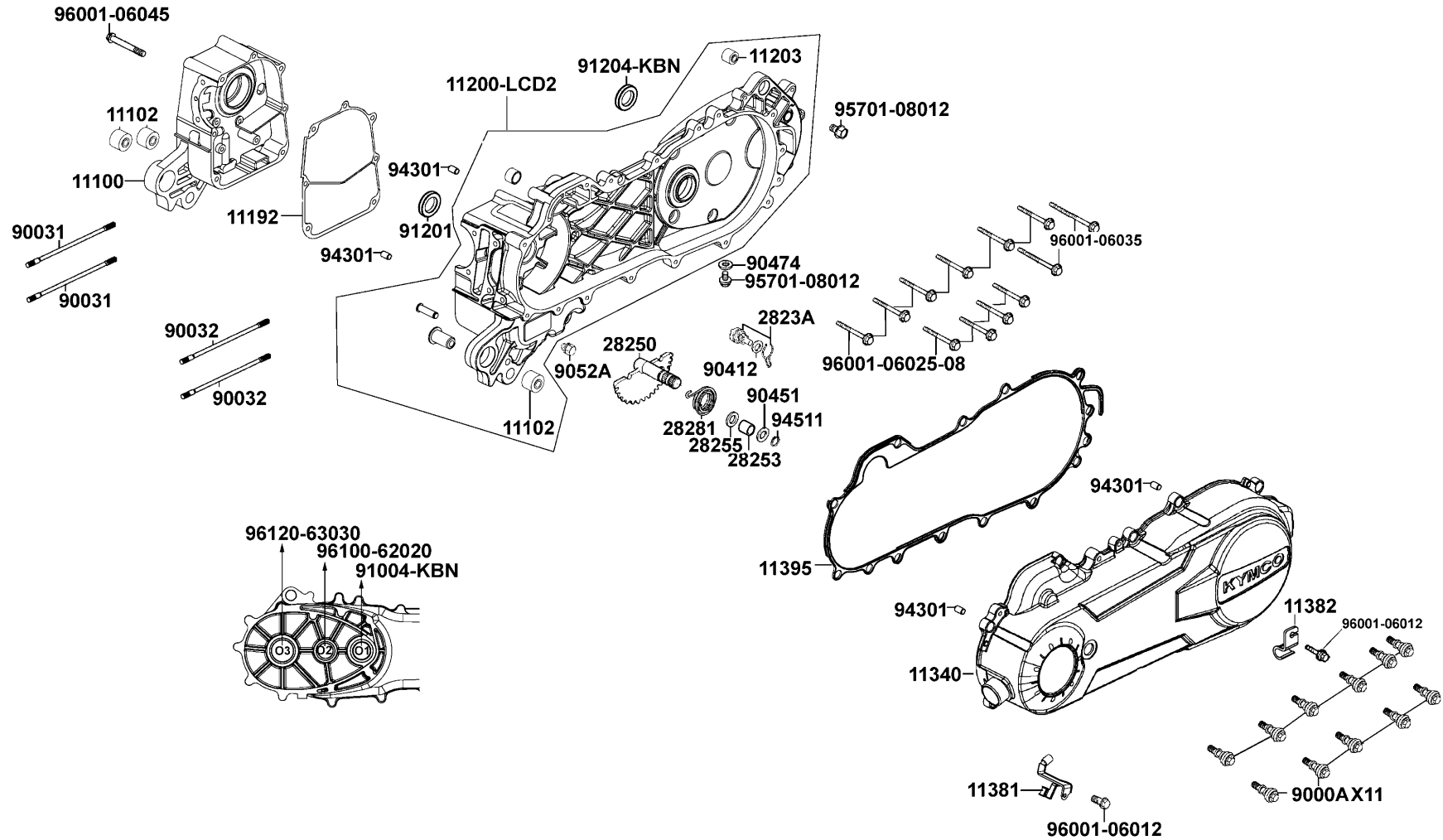
Crank Case



Sales mark	Ref no	Part no	Ver	Description	Reg description	Regd no	E01
	11100	11100-LBD6-E00	2	CRANK CASE COMP R	CRANK CASE COMP R	1	
	11102	11102-1G87-0040	1	RUB BUSH ENG HANGER	RUB BUSH ENG HANGER	3	
	11192	11192-KGBG-C10	0	"GASKET,CRANK CASE@A"	"GASKET,CRANK CASE@A"	1	
	11200-LCD2	11200-LCD2-E00	9	CRANKCASE SET L	CRANKCASE SET L	1	
	11203	11203-GGC7-W10	2	UNDER RUBBER BUSH REAR	UNDER RUBBER BUSH REAR	1	
**	11340	11340-LEJ2-E10	0	COVER COMP L SIDE	COVER COMP L SIDE	1	
	11381	11381-LBC9-900	2	CLAMPER THROTTLE CABLE	CLAMPER THROTTLE CABLE	1	
	11382	11382-LCD2-E00	1	CLAMPER BRAKE CABLE	CLAMPER BRAKE CABLE	1	
	11395	11395-LCD2-E00	2	GASKET L COVER	GASKET L COVER	1	
	2823A	2823A-LBD6-E00	1	GEAR ASSY KICK DRIVEN	GEAR ASSY KICK DRIVEN	1	
	28250	28250-LEJ2-E10	1	"SPINDLE COMP,KICK STARTER"	"SPINDLE COMP,KICK STARTER"	1	
	28253	28253-GBN2-6020	0	BUSH KICK SPINDLE	BUSH KICK SPINDLE	1	
	28255	28255-GFS6-001	0	COLLAR KICK BOSS	COLLAR KICK BOSS	1	
	28281	28281-GBN2-6030	1	SPRING KICK RETURN	SPRING KICK RETURN	1	
	9000A	9000A-KTDT-900	1	BOLT ASSY SPECIAL 6*29.5	BOLT ASSY SPECIAL 6*29.5	11	
	90031	90031-KGBG-9010	0	BOLT A STUD 7X168	BOLT A STUD 7X168	2	
	90032	90032-KGBG-9010	0	BOLT B STUD 7X176	BOLT B STUD 7X176	2	
	90412	90412-3K29-001	0	WASHER THRUST10MM	WASHER THRUST10MM	1	
	90451	90451-GBN2-601	0	WASHER KICK SPINDLE	WASHER KICK SPINDLE	1	
	90474	90474-3C33-001	1	WASHER 8MM	WASHER 8MM	1	

E01

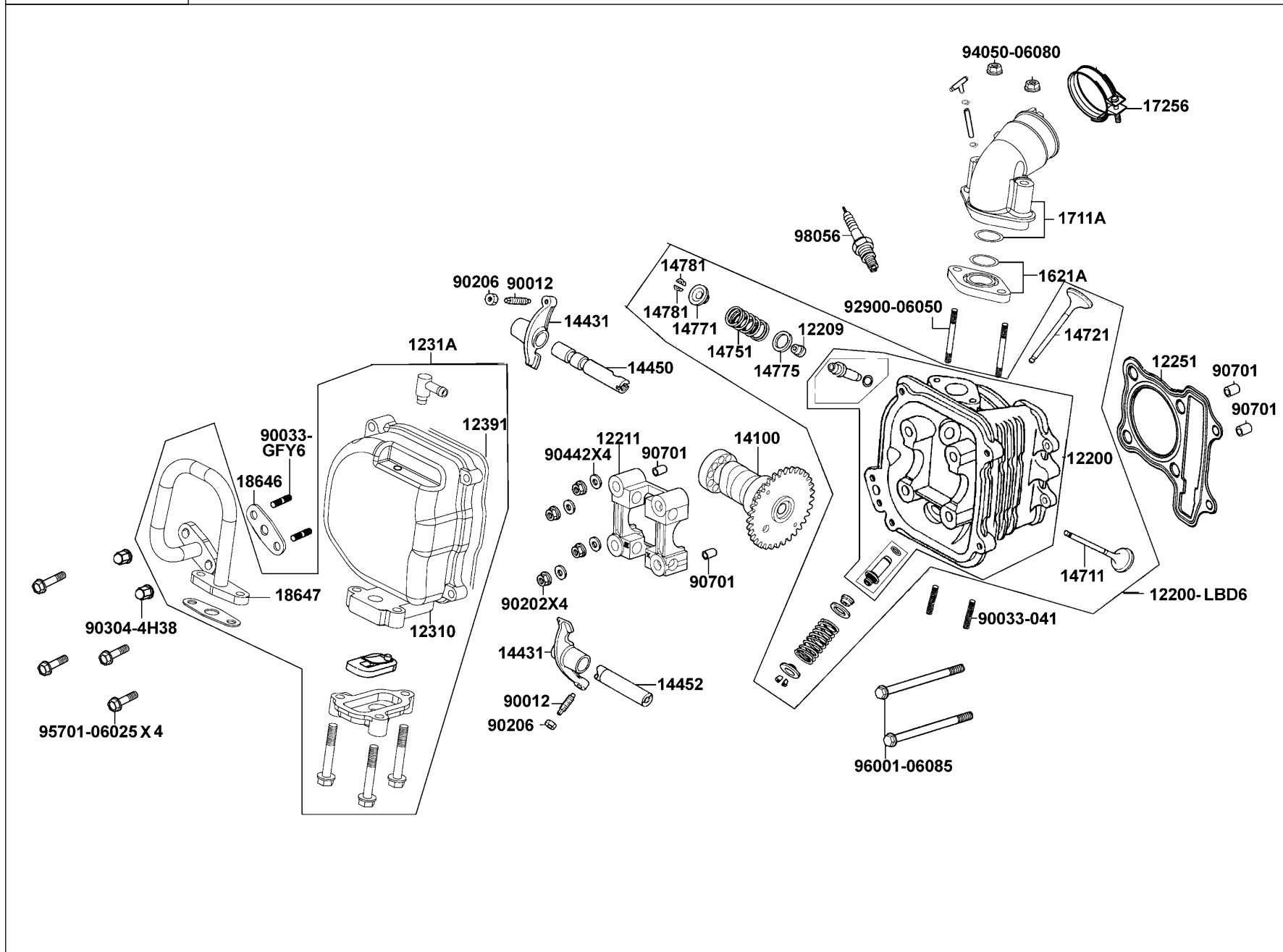
Crank Case



Sales mark	Ref no	Part no	Ver	Description	Reg description	Regd no	E01
	9052A	9052A-GFY6-9500	1	BOLT ASSY DRAIN PLUG	BOLT ASSY DRAIN PLUG	1	
	91004-KBN	91004-KBN-9210-M1	0	BRG BALL RADIAL 6203 SPC	BRG BALL RADIAL 6203 SPC	1	
	91201	91201-GFY6-9030	0	OIL SEAL 19.8*30*5	OIL SEAL 19.8*30*5	1	
	91204-KBN	91204-KBN-9010-M1	1	OIL SEAL 17*30*6	OIL SEAL 17*30*6	1	
	94301	94301-08140	0	DOWEL PIN 8*14	DOWEL PIN 8*14	4	
	94511	94511-14000	0	CIRCLIP EX 14	CIRCLIP EX 14	1	
	95701-08012	95701-08012-08	0	BOLT FLANGE 8*12	BOLT FLANGE 8*12	2	
	96001-06012	96001-06012-08	0	BOLT FLANGE 6*12	BOLT FLANGE 6*12	2	
	96001-06025	96001-06025-08	0	BOLT FLANGE SH 6*25	BOLT FLANGE SH 6*25	10	
	96001-06035	96001-06035-08	0	BOLT FLANGE 6*35	BOLT FLANGE 6*35	2	
	96001-06045	96001-06045-08	0	BOLT FLANGE SH 6*45	BOLT FLANGE SH 6*45	1	
	96100-62020	96100-62020-00	0	BEARING BALL RADIAL 6202	BEARING BALL RADIAL 6202	1	
	96120-63030	96120-63030-10	0	BEARING BALL RADIAL 6303Z/2A	BEARING BALL RADIAL 6303Z/2A	1	

E02

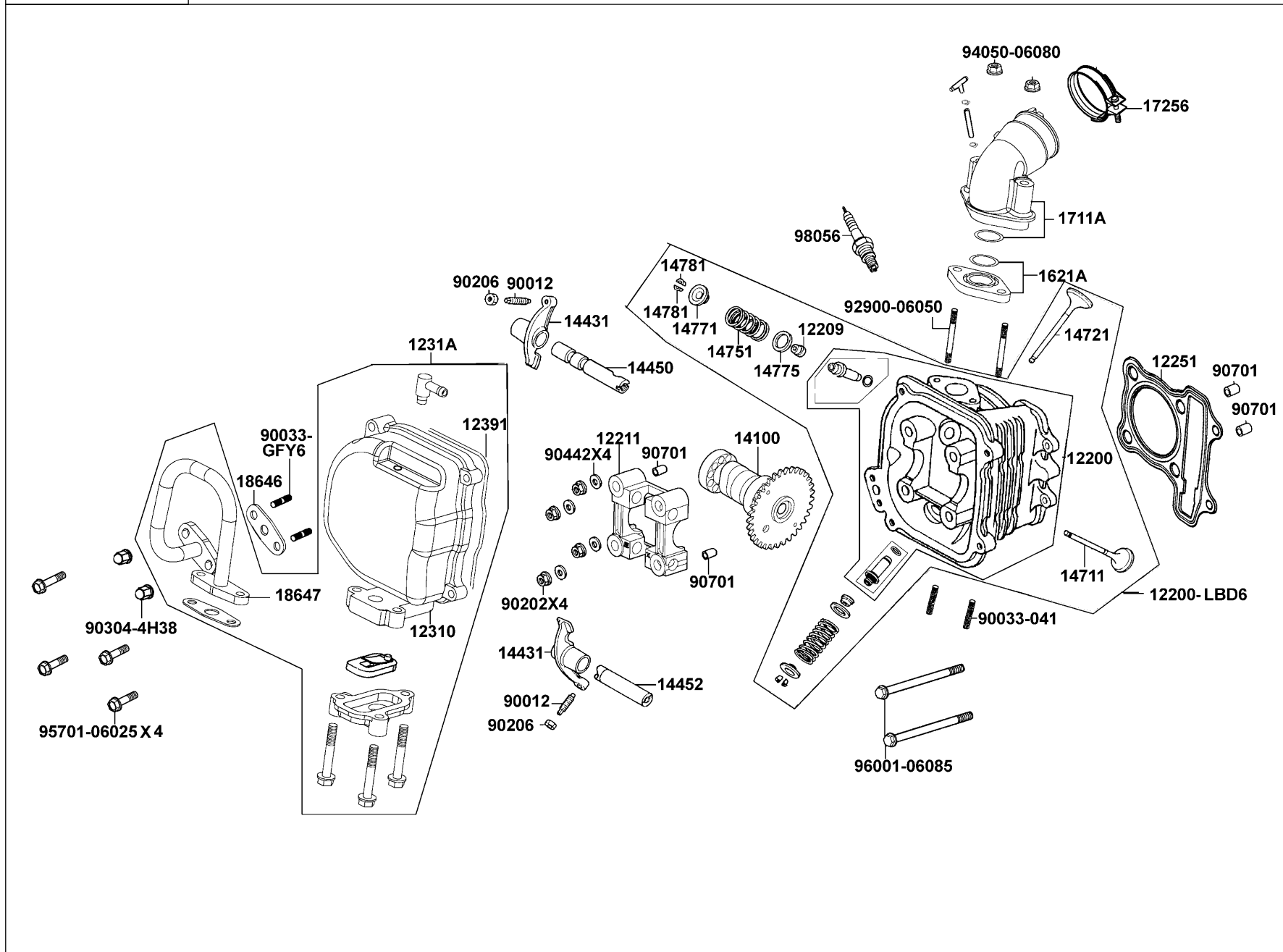
Cylinder Head



Sales mark	Ref no	Part no	Ver	Description	Reg description	Regd no	E02
	12200-KGBG	12200-KGBG-9100	7	HEAD COMP CYLN	HEAD COMP CYLN	1	
	12200-LBD6	12200-LBD6-405	0	"HEAD SET, CYLIN"	"HEAD SET, CYLIN"	1	
	12209	12209-GDB4-6820-M1	0	SEAL VALVE STEM	SEAL VALVE STEM	2	
	12211	12211-KGBG-9000-M1	2	HOLDER CAM SHAFT	HOLDER CAM SHAFT	1	
	12251	12251-KGBG-900	0	GASKET CYLINDER HEAD	GASKET CYLINDER HEAD	1	
	12310	12310-KHC5-900	2	COVER COMP HEAD	COVER COMP HEAD	1	
	1231A	1231A-KHC5-900	3	COVER ASSY HEAD	COVER ASSY HEAD	1	
	12391	12391-KEE1-900	0	GASKET HEAD COVER	GASKET HEAD COVER	1	
	14100	14100-KGBG-9000	4	SHAFT COMP CAM	SHAFT COMP CAM	1	
	14431	14431-KGBG-W10	0	ARM VALVE ROCKER	ARM VALVE ROCKER	2	
	14450	14450-KGBG-W10	0	SHAFT COMP IN ROCKER ARM	SHAFT COMP IN ROCKER ARM	1	
	14452	14452-KGBG-W10	0	SHAFT EXH ROCKER ARM	SHAFT EXH ROCKER ARM	1	
	14711	14711-KGBG-9000	0	VALVE INLET	VALVE INLET	1	
	14721	14721-KGBG-9000	0	VALVE EXHAUST	VALVE EXHAUST	1	
	14751	14751-GEN5-9000	0	SPRING VALVE OUTER	SPRING VALVE OUTER	2	
	14771	14771-GDB4-6800	0	RETAINER VALVE SPRING	RETAINER VALVE SPRING	2	
	14775	14775-MEA6-0010	1	SEAT VALVE SPG OUTER	SEAT VALVE SPG OUTER	2	
	14781	14781-MFA6-0010	1	COTTER VALVE	COTTER VALVE	4	
	1621A	1621A-KGBG-900	2	INSULATOR CARB ASSY	INSULATOR CARB ASSY	1	
	1711A	1711A-LEJ2-E10	0	PIPE ASSYAINLET	PIPE ASSYAINLET	1	

E02

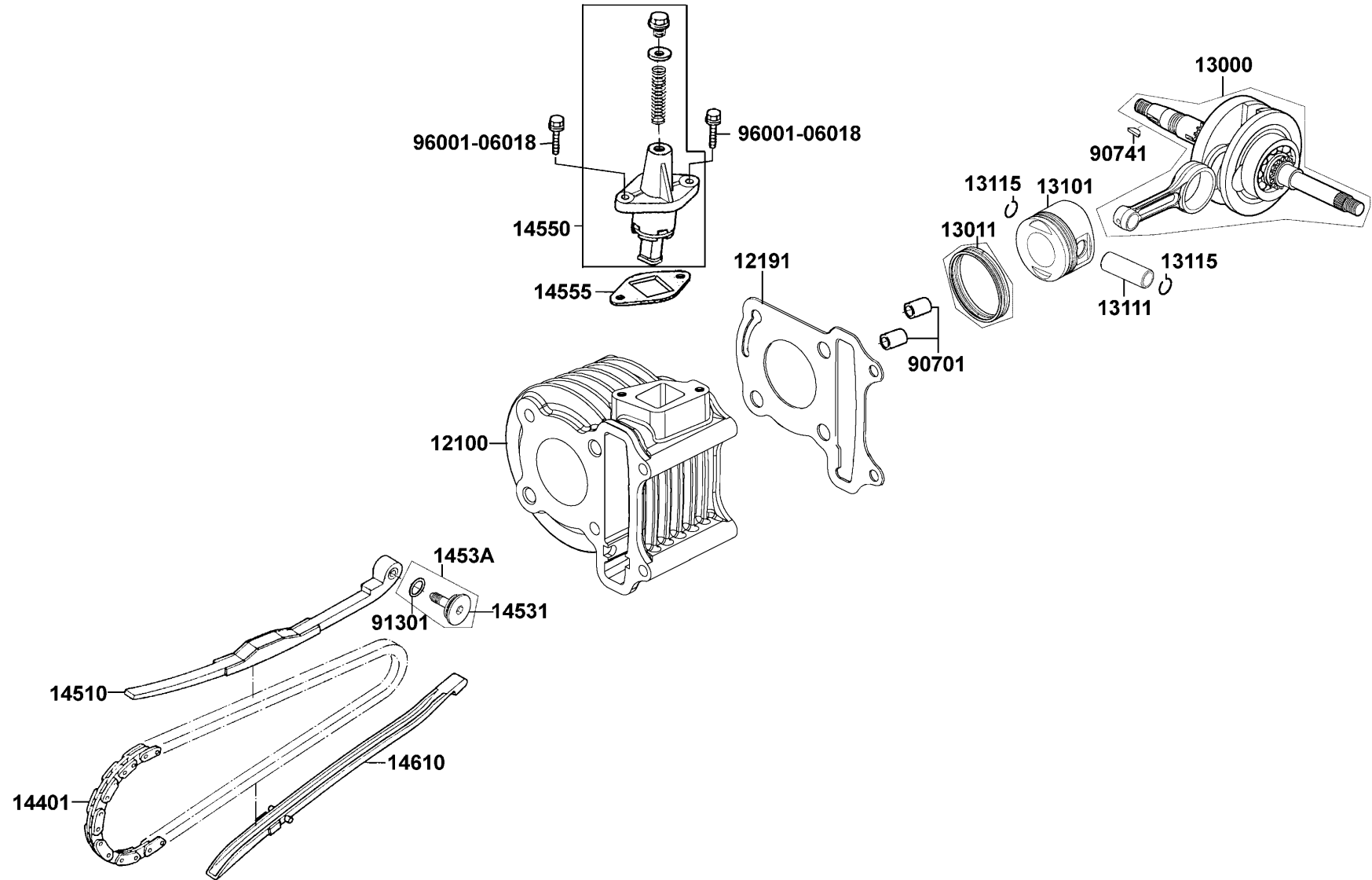
Cylinder Head



Sales mark	Ref no	Part no	Ver	Description	Reg description	Regd no	E02
	17256	17256-KGBG-900	0	BAND INSULATOR	BAND INSULATOR	1	
	18646	18646-GFY6-C10	1	GASKET A/I PIPE	GASKET A/I PIPE	1	
	18647	18647-GFY6-941	0	PIPE COMP AIR	PIPE COMP AIR	1	
	90012	90012-3C33-0010	1	SCREW TAPPET ADJUSTING	SCREW TAPPET ADJUSTING	2	
	90033-041	90033-041-0210	1	BOLT STUD 6*32	BOLT STUD 6*32	2	
	90033-GFY6	90033-GFY6-941	0	BOLT STUD 6*16	BOLT STUD 6*16	2	
	90202	90202-GFF6-011	0	NUT FLANGE 7M/M	NUT FLANGE 7M/M	4	
	90206	90206-0A01-0010	1	NUT TAPPET ADJG	NUT TAPPET ADJG	2	
	90304-4H38	90304-4H38-001	2	NUT HEX CAP 6MM	NUT HEX CAP 6MM	2	
	90442	90442-GFF6-011	0	WASHER SEALING 7MM	WASHER SEALING 7MM	4	
	90701	90701-GFF6-001	0	PIN DOWEL SPECIAL 8*14	PIN DOWEL SPECIAL 8*14	4	
	92900-06050	92900-06050-0B	0	BOLT STUD 6*50	BOLT STUD 6*50	2	
	94050-06080	94050-06080	0	NUT FLANGE 6MM	NUT FLANGE 6MM	2	
	95701-06025	95701-06025-08	0	BOLT FLANGE 6*25	BOLT FLANGE 6*25	4	
	96001-06085	96001-06085-06	0	BOLT FLANGE 6*85	BOLT FLANGE 6*85	2	
	98056	98056-5771R-00	0	SPARK PLUG (CR7HSA)	SPARK PLUG (CR7HSA)	1	

E03

Cylinder Piston Crankshaft

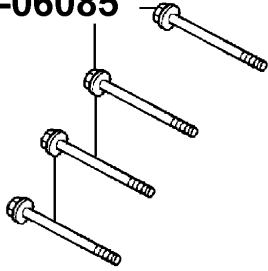


Sales mark	Ref no	Part no	Ver	Description	Reg description	Regd no	E03
	12100	12100-KGBG-900	3	CYLINDER COMP	CYLINDER COMP	1	
	12191	12191-KGBG-980	0	GASTET CYLINDER @ A	GASTET CYLINDER @ A	1	
	13000	13000-KGBG-900	3	CRANK SHAFT COMP	CRANK SHAFT COMP	1	
	13011	13011-KGBG-9010	0	RING SET PISTON	RING SET PISTON	1	
	13101	13101-LCB9-B20	2	PISTON	PISTON	1	
	13111	13111-KGBG-900	1	PIN PISTON	PIN PISTON	1	
	13115	13115-0A01-001	0	PISTON PIN CLIP	PISTON PIN CLIP	2	
	14401	14401-KGBG-9000	0	CHAIN CAM	CHAIN CAM	1	
	14510	14510-KGBG-9000	0	TENSIONER CAM CHAIN	TENSIONER CAM CHAIN	1	
	14531	14531-GLRO-W10	0	PIVOT CAM CHAIN TENSIONER	PIVOT CAM CHAIN TENSIONER	1	
	1453A	1453A-GFY6-W10	0	PIVOT CAM CHAIN SET	PIVOT CAM CHAIN SET	1	
	14550	14550-LDC8-C10	0	ADJUSTER CAM CHAIN	ADJUSTER CAM CHAIN	1	
	14555	14555-KKJ9-C10	0	GASKETACAM CHAIN ADJUSTER	GASKETACAM CHAIN ADJUSTER	1	
	14610	14610-KGBG-9000	0	GUIDE COMP CAM CHAIN	GUIDE COMP CAM CHAIN	1	
	90701	90701-GFF6-001	0	PIN DOWEL SPECIAL 8*14	PIN DOWEL SPECIAL 8*14	2	
	90741	90741-0E35-001	0	KEY WOODRUFF	KEY WOODRUFF	1	
	91301	91301-GLRO-W10	0	O-RING 15.2*1.5	O-RING 15.2*1.5	1	
	96001-06018	96001-06018-08	0	BOLT FLANGE SH 6*18	BOLT FLANGE SH 6*18	2	

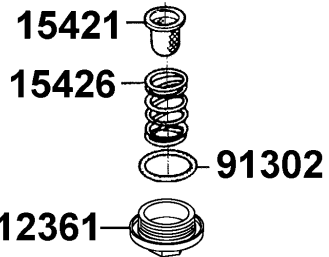
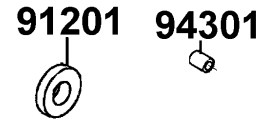
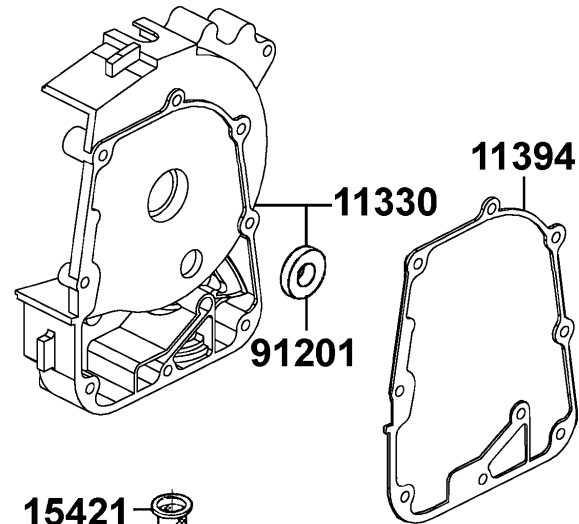
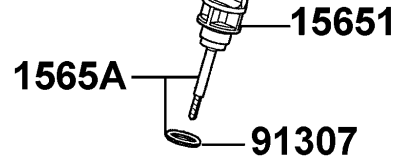
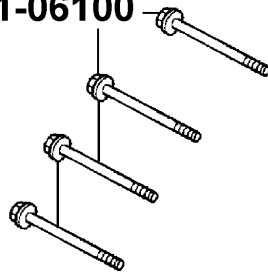
E04

Right Crankcase Cover

96001-06085



96001-06100

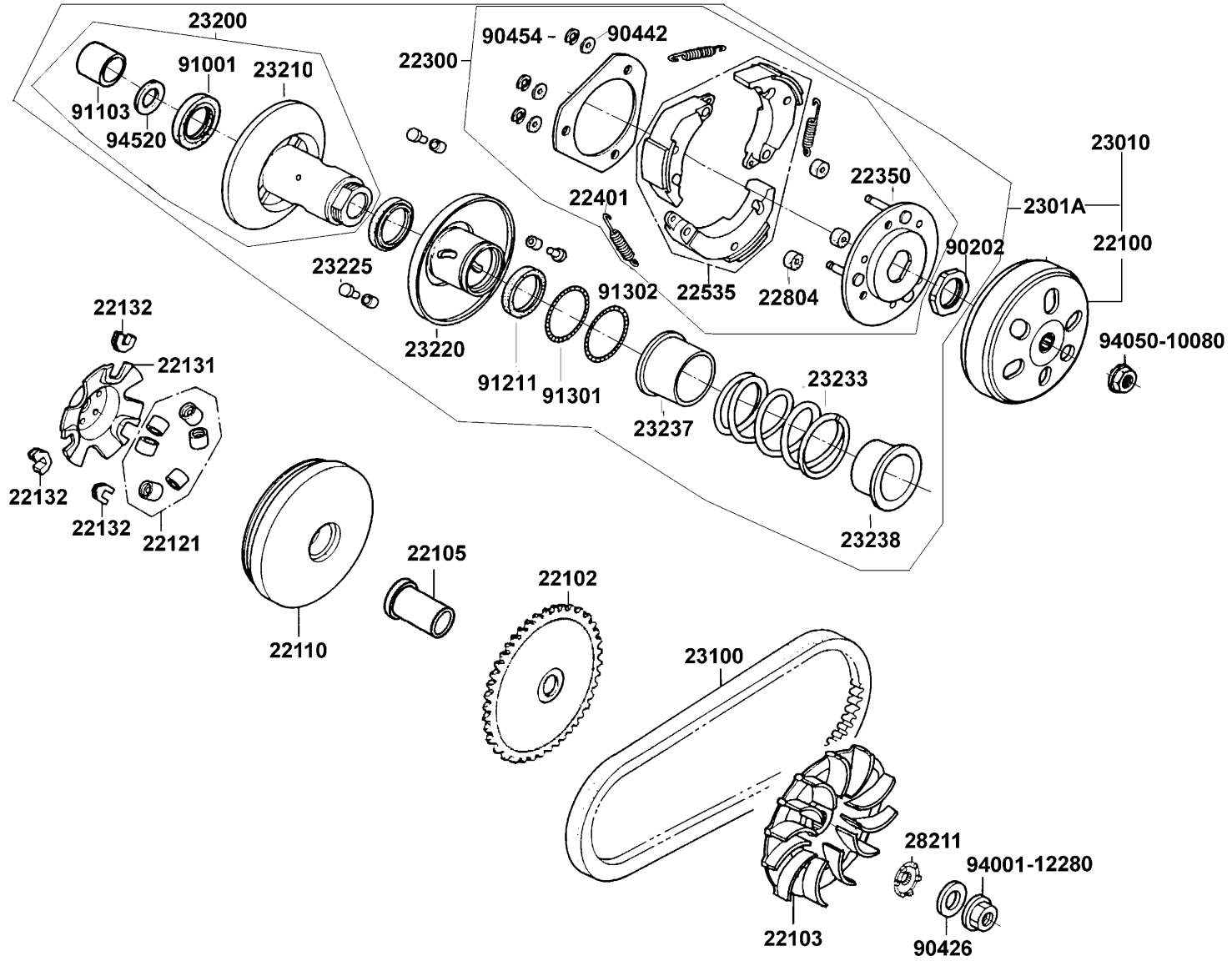


94301

Sales mark	Ref no	Part no	Ver	Description	Reg description	Regd no	E04
11330		11330-LBD6-E00	3	COVER R CRANK CASE	COVER R CRANK CASE	1	
11394		11394-KGBG-980	0	GASTER R COVER @ A	GASTER R COVER @ A	1	
12361		12361-GFY6-9010	1	HOLE CAP TAPPET ADJUSTING	HOLE CAP TAPPET ADJUSTING	1	
15421		15421-1G07-W10	0	SCREEN OIL FILTER	SCREEN OIL FILTER	1	
15426		15426-GAE1-921	0	SPG OIL FILTER SCREEN	SPG OIL FILTER SCREEN	1	
15651		15651-GFY6-9010	1	GAUGE OIL LEVEL	GAUGE OIL LEVEL	1	
1565A		1565A-GFY6-900	0	GAUGE OIL LEVEL ASSY	GAUGE OIL LEVEL ASSY	1	
91201		91201-KGBG-9000-M1	0	OIL SEAL 16.4*30*5	OIL SEAL 16.4*30*5	2	
91302		91302-0A01-0210	0	O-RING 30.8MM	O-RING 30.8MM	1	
91307		91307-0E35-W10	0	O-RING 18*3	O-RING 18*3	1	
94301		94301-08140	0	DOWEL PIN 8*14	DOWEL PIN 8*14	2	
96001-06085		96001-06085-06	0	BOLT FLANGE 6*85	BOLT FLANGE 6*85	4	
96001-06100		96001-06100-08	0	BOLT FLANGE SH 6*100	BOLT FLANGE SH 6*100	4	

E05

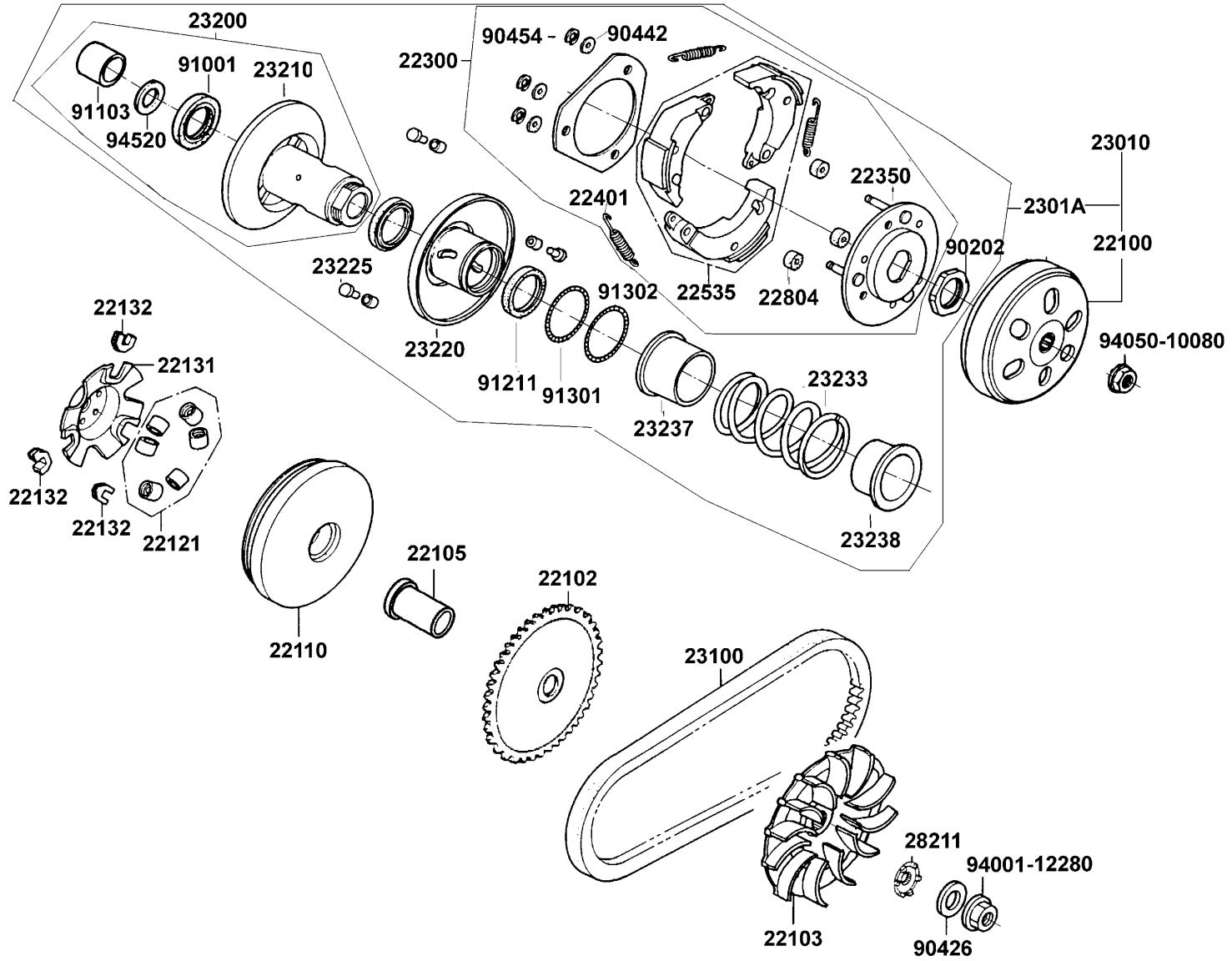
Driven Pulley



Sales mark	Ref no	Part no	Ver	Description	Reg description	Regd no	E05
	22100	22100-LDC8-E10	0	CLUTCH OUTER	CLUTCH OUTER	1	
	22102	22102-LDC8-E10	0	FACE DRIVE	FACE DRIVE	1	
	22103	22103-KEB7-900	0	FAN CVT COOLING	FAN CVT COOLING	1	
	22105	22105-LEJ2-E10	0	BOSS DRIVE FACE	BOSS DRIVE FACE	1	
	22110	22110-KFA1-2200	0	FACE COMP MOVABLE DRIVE	FACE COMP MOVABLE DRIVE	1	
	22121	22121-LBD6-E00	2	ROLLER COMP WEIGHT 6.5g	ROLLER COMP WEIGHT 6.5g	6	
	22131	22131-GHAH-7810	0	PLATE RAMP	PLATE RAMP	1	
	22132	22132-GLW0-0010	2	PIECE SLIDE	PIECE SLIDE	3	
	22300	22300-LDC8-E10	1	PLATE ASSY DRIVE	PLATE ASSY DRIVE	1	
	22350	22350-GKAK-930	1	PLATE COMP DRIVE	PLATE COMP DRIVE	1	
	22401	22401-LDC8-E10	0	SPRING CLUTCH	SPRING CLUTCH	3	
	22535	22535-GKAK-930	1	WEIGHT SET CLUTCH	WEIGHT SET CLUTCH	3	
	22804	22804-1H48-001	0	RUBBER CLUTCH DUMPER	RUBBER CLUTCH DUMPER	3	
	23010	23010-LDC8-E10	0	PULLEY ASSY DRIVEN	PULLEY ASSY DRIVEN	1	
	2301A	2301A-LDC8-E10	1	PULLEY SUB ASSY	PULLEY SUB ASSY	1	
	23100	23100-KEB7-900	0	BELT DRIVE	BELT DRIVE	1	
	23200	23200-GAR1-220	1	FACE ASSY DRIVEN	FACE ASSY DRIVEN	1	
	23210	23210-GAR1-220	0	FACE COMP DRIVEN	FACE COMP DRIVEN	1	
	23220	23220-LDC8-E10	0	FACE COMP MOVABLE	FACE COMP MOVABLE	1	
	23225	23225-GAR1-7510	0	PIN GUIDE	PIN GUIDE	3	

E05

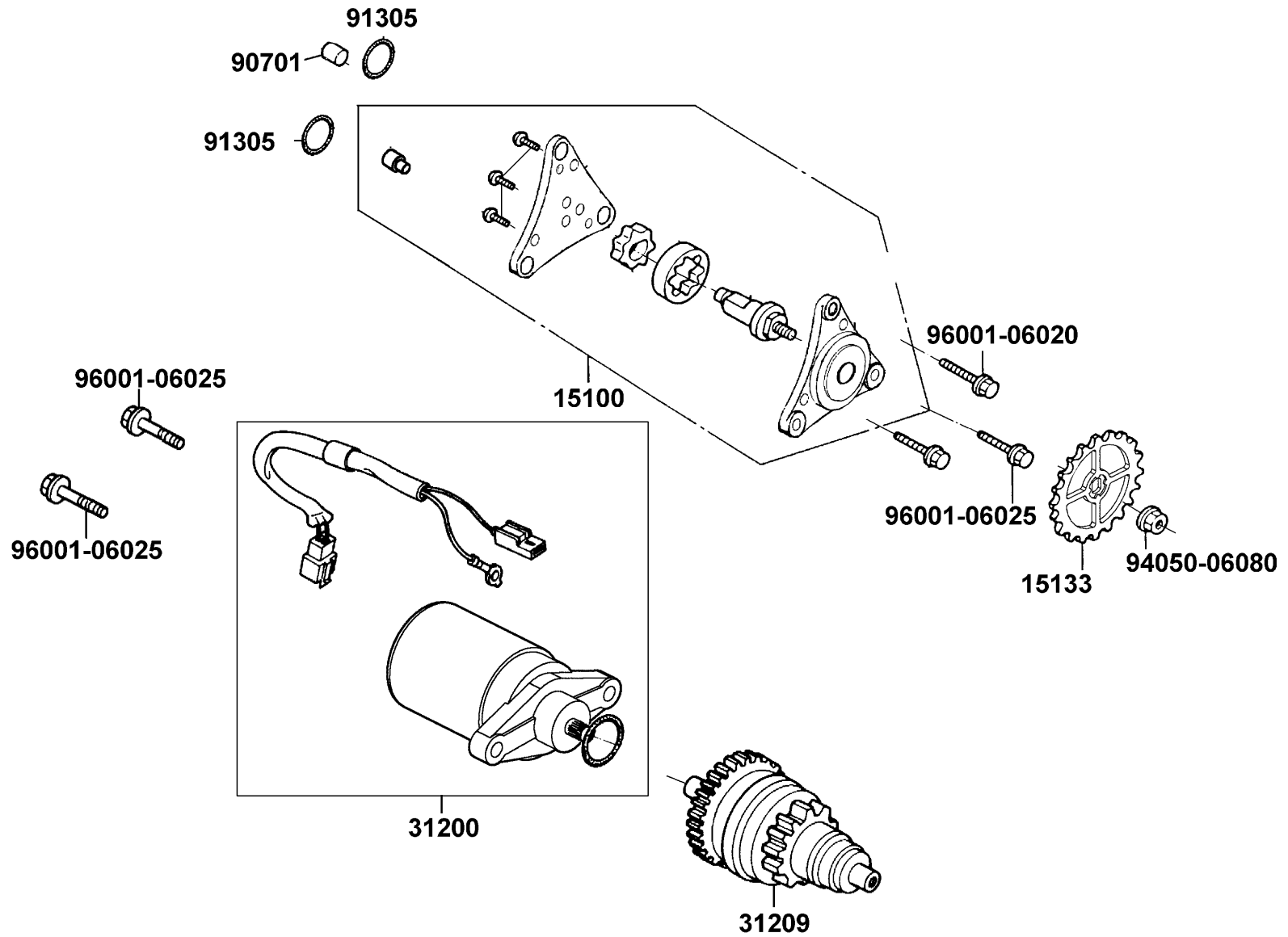
Driven Pulley



Sales mark	Ref no	Part no	Ver	Description	Reg description	Regd no	E05
	23233	23233-KEE1-900	1	SPG DRIVEN FACE	SPG DRIVEN FACE	1	
	23237	23237-GAR1-220	0	COLLAR SEAL	COLLAR SEAL	1	
	23238	23238-GGS7-0110	0	COLLAR SPG	COLLAR SPG	1	
	28211	28211-LDC8-W10	0	RATCHET KICK STARTER	RATCHET KICK STARTER	1	
	90202	90202-1G87-001	0	NUT SPECIAL 28MM	NUT SPECIAL 28MM	1	
	90426	90426-KNBN-901	0	WASHER SPECIAL 12MM	WASHER SPECIAL 12MM	1	
	90442	90442-0D44-001	0	6M/M THRUST WASHER	6M/M THRUST WASHER	3	
	90454	90454-GBB2-001	0	CIRCLIP 6MM	CIRCLIP 6MM	3	
	91001	91001-GA7-7010-M1	1	BRG RADIAL BALL 6901U	BRG RADIAL BALL 6901U	1	
	91103	91103-GAR1-004	0	BRG NEEDLE 17*25*18 WS	BRG NEEDLE 17*25*18 WS	1	
	91211	91211-KEE1-900	0	OIL SEAL 34*39*3	OIL SEAL 34*39*3	2	
	91301	91301-KEE1-900	0	O-RING 36*1.5	O-RING 36*1.5	1	
	91302	91302-KEE1-900	0	O-RING 39.8*2.2	O-RING 39.8*2.2	1	
	94001-12280	94001-12280-0S	0	NUT HEX 12MM	NUT HEX 12MM	1	
	94050-10080	94050-10080	0	NUT FLANGE 10MM	NUT FLANGE 10MM	1	
	94520	94520-24000	1	CIR CLIP IN 24	CIR CLIP IN 24	1	

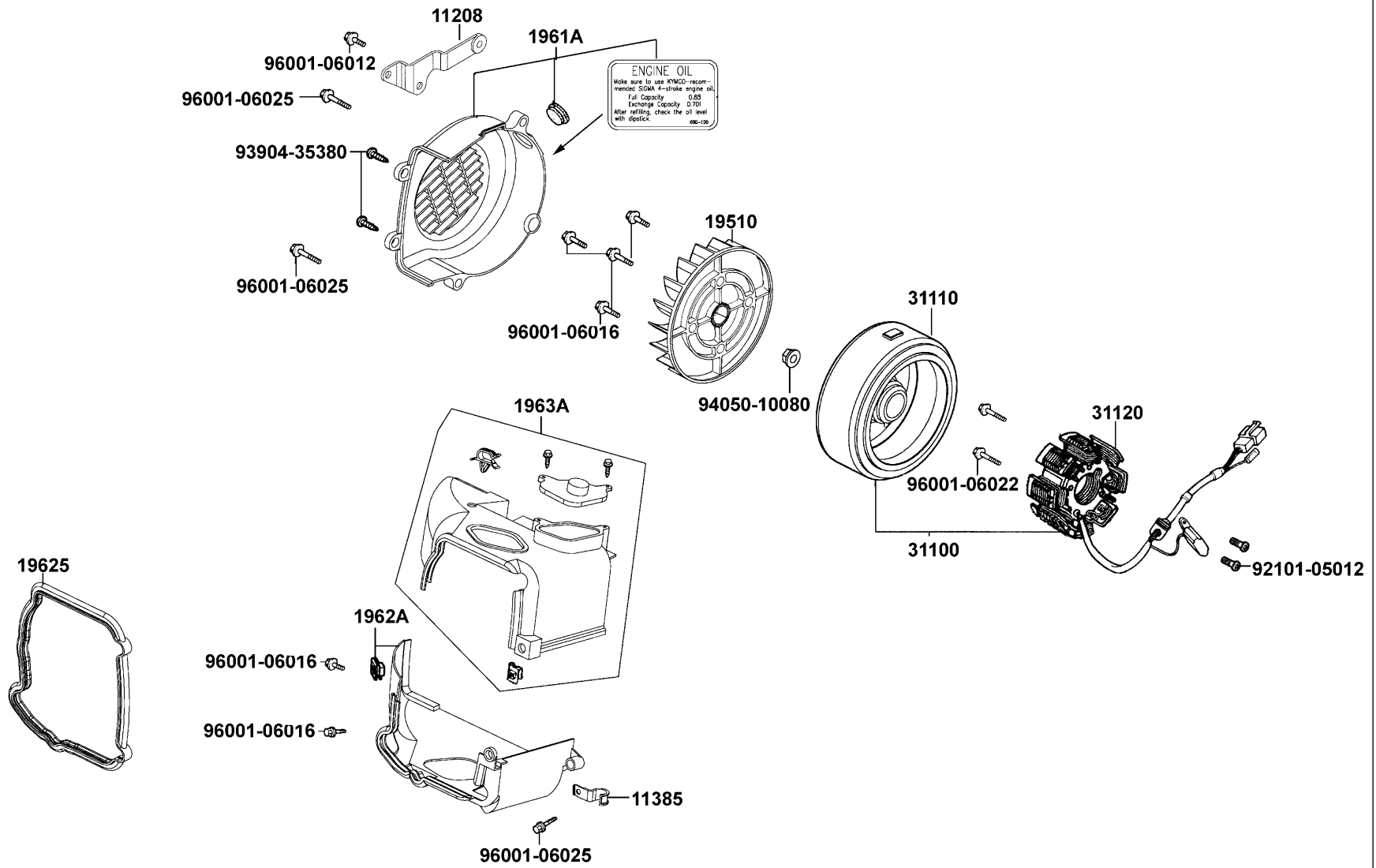
E06

Starting Motor Oil Pump



Sales mark	Ref no	Part no	Ver	Description	Reg description	Regd no	E06
	15100	15100-KGBG-9000	3	PUMP ASSY OIL	PUMP ASSY OIL	1	
	15133	15133-LDC8-C10	0	GEAR OIL PUMP DRIVEN	GEAR OIL PUMP DRIVEN	1	
	31200	31200-LEJ2-E10	0	MOTOR ASSY START	MOTOR ASSY START	1	
	31209	31209-KEE1-9000	2	PINION ASSY STARTER	PINION ASSY STARTER	1	
	90701	90701-HDC4-001	1	PIN DOWELL 8*12	PIN DOWELL 8*12	1	
	91305	91305-0H28-1590	0	O-RING 9*1.6	O-RING 9*1.6	2	
	94050-06080	94050-06080	0	NUT FLANGE 6MM	NUT FLANGE 6MM	1	
	96001-06020	96001-06020-08	0	BOLT FLANGE SH 6*20	BOLT FLANGE SH 6*20	2	
	96001-06025	96001-06025-08	0	BOLT FLANGE SH 6*25	BOLT FLANGE SH 6*25	3	

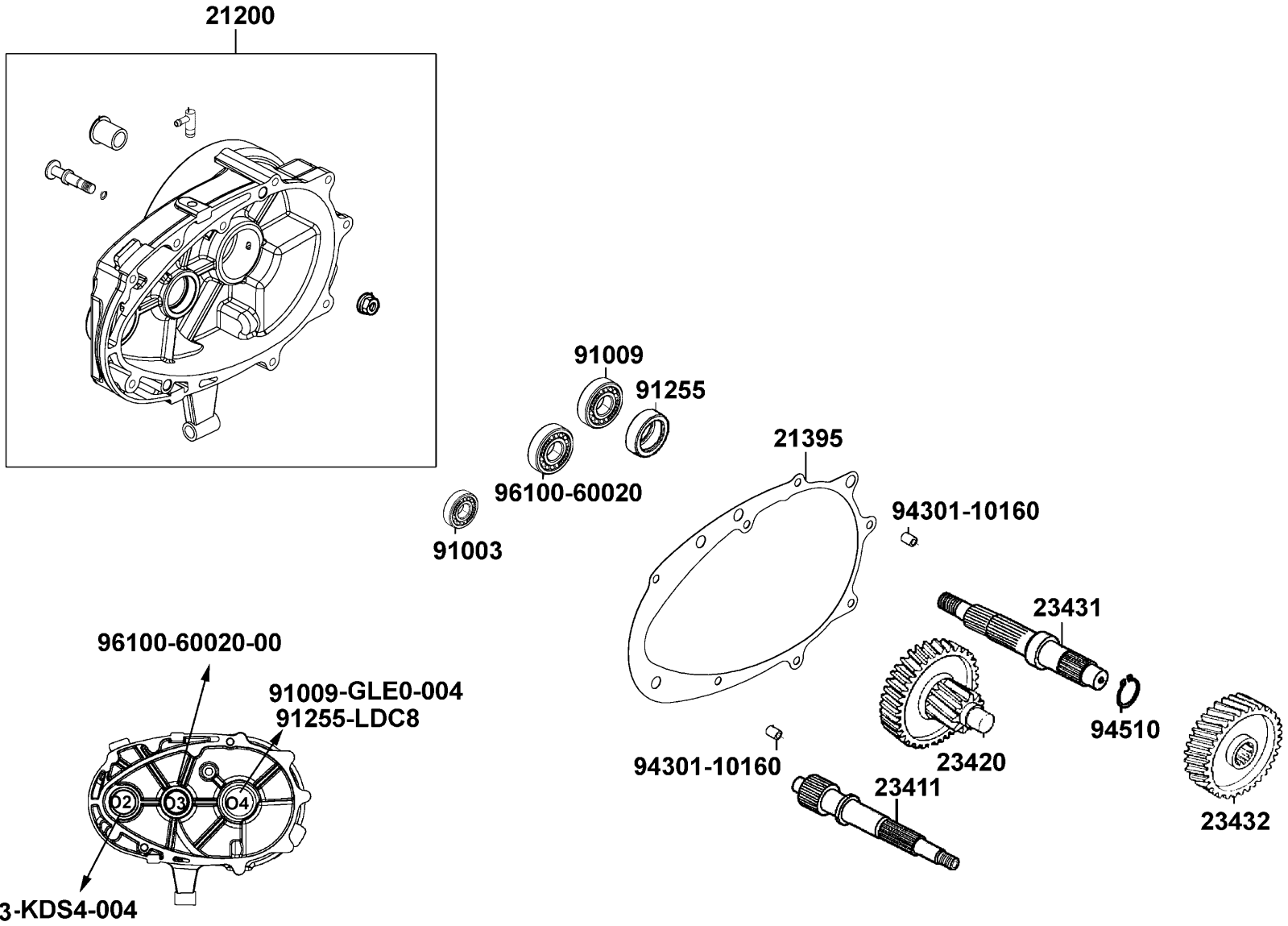
Fan Cover Generator



Sales mark	Ref no	Part no	Ver	Description	Reg description	Regd no	E07
	11208	11208-LEJ2-E10	0	"STAY, RR TIRE FENDER"	"STAY, RR TIRE FENDER"	1	
	11385	11385-GFY6-9010	1	CLAMPER CARB DRAIN TUBE	CLAMPER CARB DRAIN TUBE	1	
	19510	19510-LDC5-900	1	FAN COMP COOLING	FAN COMP COOLING	1	
	1961A	1961A-KGBG-E01	0	COVER ASSY FAN	COVER ASSY FAN	1	
	19625	19625-KEE1-9000	0	SEAL SHROUD	SEAL SHROUD	1	
	1962A	1962A-KEE1-900	2	SHROUD ASSY A	SHROUD ASSY A	1	
	1963A	1963A-LDC8-E10	1	SHROUD ASSY B	SHROUD ASSY B	1	
	31100	31100-LEJ2-E10	2	AC GEN ASSY	AC GEN ASSY	1	
	31110	31110-LBD6-E0A	1	FLYWHEEL COMP	FLYWHEEL COMP	1	
	31120	31120-LEJ2-E10	2	AC GEN ASSY	AC GEN ASSY	0	
	92101-05012	92101-05012-0H	0	BOLT HEX 5*12	BOLT HEX 5*12	2	
	93904-35380	93904-35380	0	SCREW TAPPING 5*16	SCREW TAPPING 5*16	2	
	94050-10080	94050-10080	0	NUT FLANGE 10MM	NUT FLANGE 10MM	1	
	96001-06012	96001-06012-08	0	BOLT FLANGE 6*12	BOLT FLANGE 6*12	1	
	96001-06016	96001-06016-08	0	BOLT FLANGE SH 6*16	BOLT FLANGE SH 6*16	6	
	96001-06022	96001-06022-08	0	BOLT FLANGE SH 6*22	BOLT FLANGE SH 6*22	2	
	96001-06025	96001-06025-08	0	BOLT FLANGE SH 6*25	BOLT FLANGE SH 6*25	3	

E08

Transmission



Sales mark	Ref no	Part no	Ver	Description	Reg description	Regd no	E08
	21200	21200-LCD2-E00	4	CASE SET MISSION	CASE SET MISSION	1	
	21395	21395-LCD2-E00	3	GASKET MISSION CASE	GASKET MISSION CASE	1	
	23411	23411-LCD2-E00	1	SHAFT DRIVEN	SHAFT DRIVEN	1	
	23420	23420-LCD2-E00	3	SHAFT COMP COUNTER	SHAFT COMP COUNTER	1	
	23431	23431-LEJ2-E10	0	SHAFT FINAL	SHAFT FINAL	1	
	23432	23432-LCD2-E00	3	GEAR FINAL	GEAR FINAL	1	
	91003	91003-KDS4-0040	1	BRG BALL RADIAL 6301TMB	BRG BALL RADIAL 6301TMB	1	
	91009	91009-GLE0-0040	1	BRG BALL RADIAL 6004 UU	BRG BALL RADIAL 6004 UU	1	
	91255	91255-LDC8-E10	4	OIL SEAL 27*42*7	OIL SEAL 27*42*7	1	
	94301-10160	94301-10160	0	DOWEL PIN 10*16	DOWEL PIN 10*16	2	
	94510	94510-20000	0	CIR CLIP EX 20	CIR CLIP EX 20	1	
	96100-60020	96100-60020-00	0	BRG BALL RADIAL 6002	BRG BALL RADIAL 6002	1	

Sales mark	Ref no	Part no	Ver	Description	Reg description	Regd no	E09
------------	--------	---------	-----	-------------	-----------------	---------	------------

16100	16100	LEJ2-E10	4	CARBURETOR ASSY	CARBURETOR ASSY	1	
-------	-------	----------	---	-----------------	-----------------	---	--

F01

Head Light

93903-35320



93903-34220



33100

93903-34220

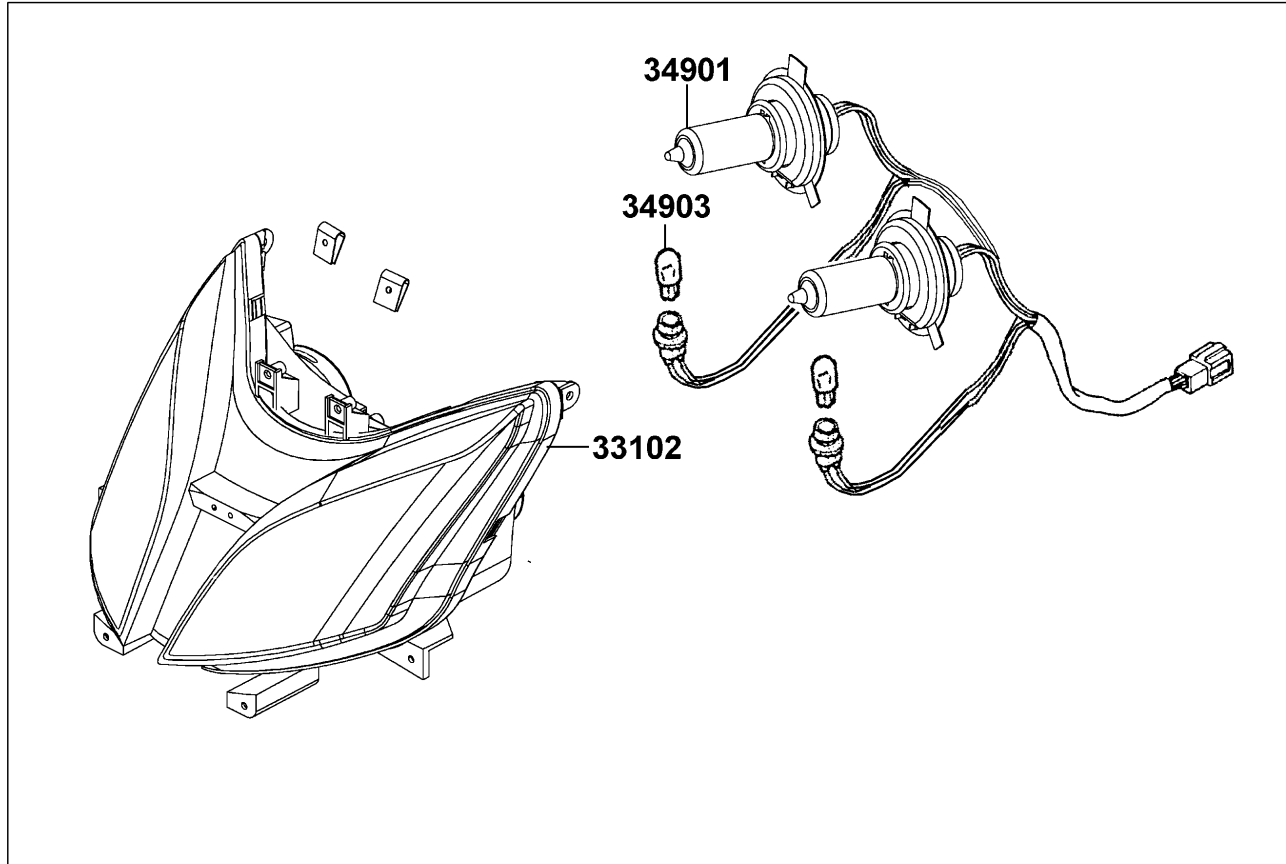


34901

34903

33102

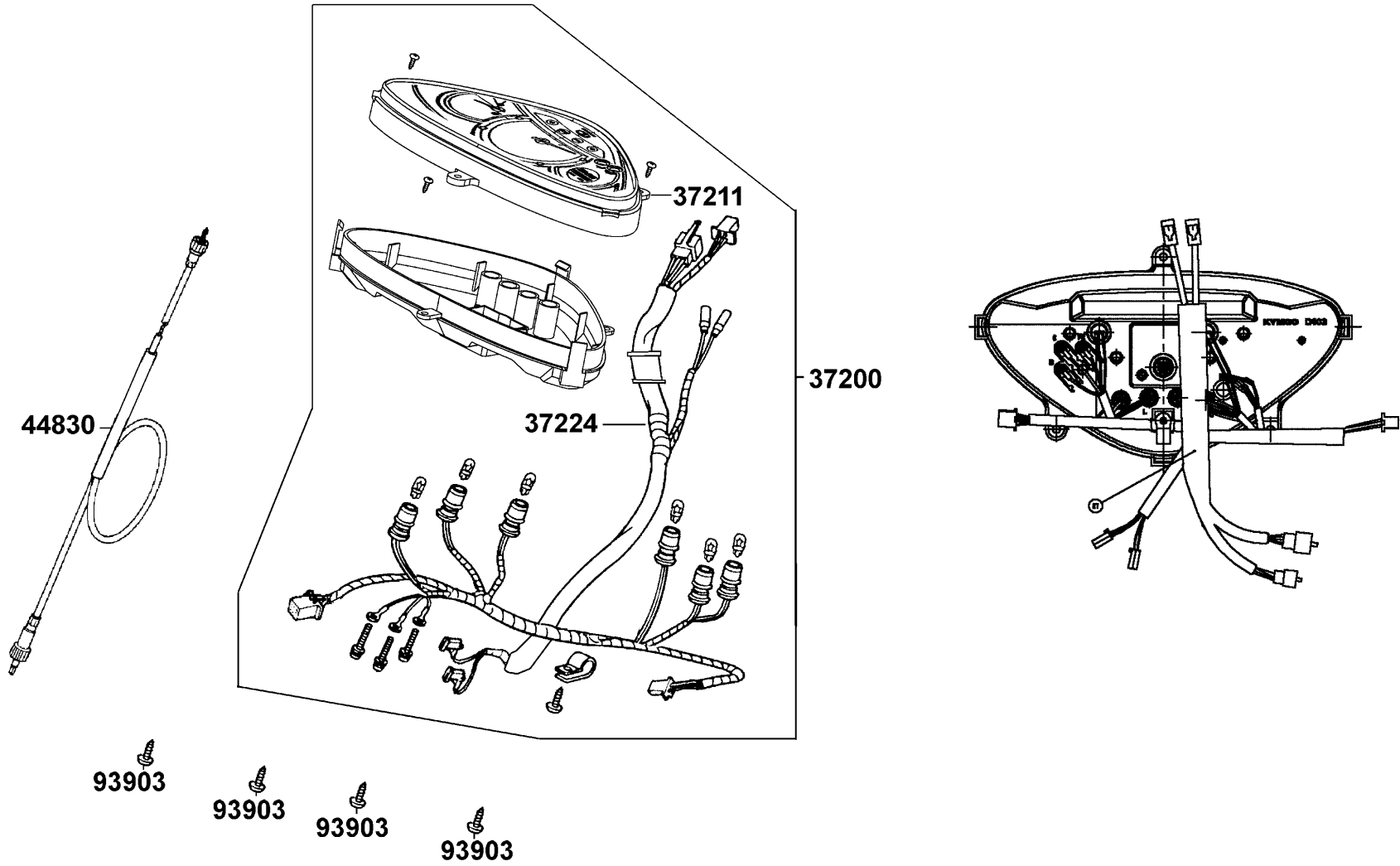
93903-35320



Sales mark	Ref no	Part no	Ver	Description	Reg description	Regd no	F01
	33100	33100-LHB3-E10	0	LIGHT ASSY HEAD	LIGHT ASSY HEAD	1	
	33102	33102-LEJ2-E10	0	LENS HEAD LIGHT	LENS HEAD LIGHT	1	
	34901	34901-KFA6-900	0	BULB HEAD LIGHT	BULB HEAD LIGHT	2	
	34903	34903-KPCP-900	0	BULB POSITION	BULB POSITION	2	
	93903-34220	93903-34220	0	SCREW TAPPING 4*10	SCREW TAPPING 4*10	4	
	93903-35320	93903-35320	0	SCREW TAPPING 5*16	SCREW TAPPING 5*16	2	

F02

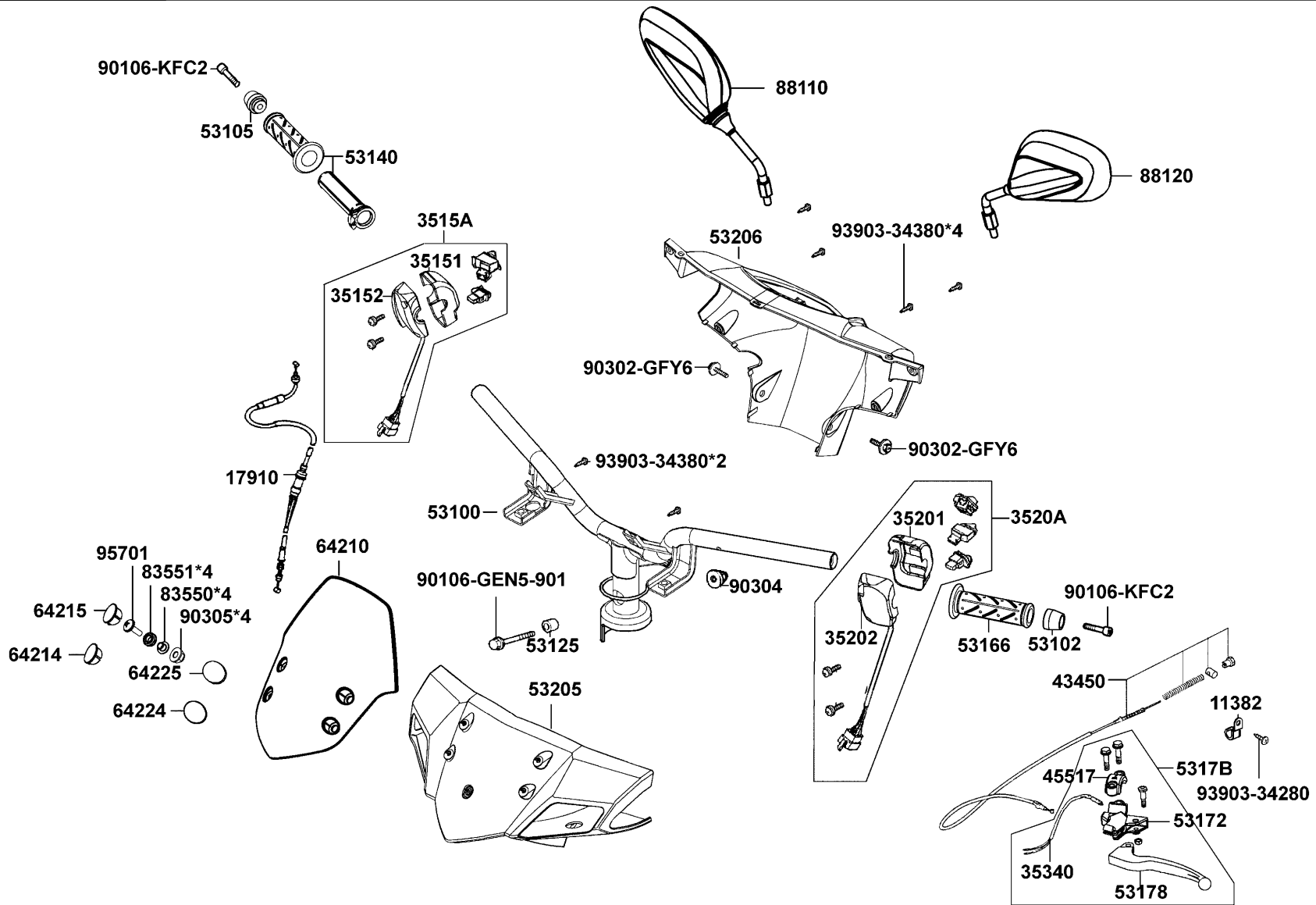
Speedometer



Sales mark	Ref no	Part no	Ver	Description	Reg description	Regd no	F02
	37200	37200-LEJ2-E10	0	METER ASSY SPEED	METER ASSY SPEED	1	
	37211	37211-LEJ2-E0B	0	LENS COMP METER	LENS COMP METER	1	
	37224	37224-LEJ2-E10	2	"SOCKET COMOP,METER"	"SOCKET COMOP,METER"	1	
	44830	44830-LCD3-E00	4	CABLE COMP SPDMT	CABLE COMP SPDMT	1	
	93903	93903-35320	0	SCREW TAPPING 5*16	SCREW TAPPING 5*16	4	

F03

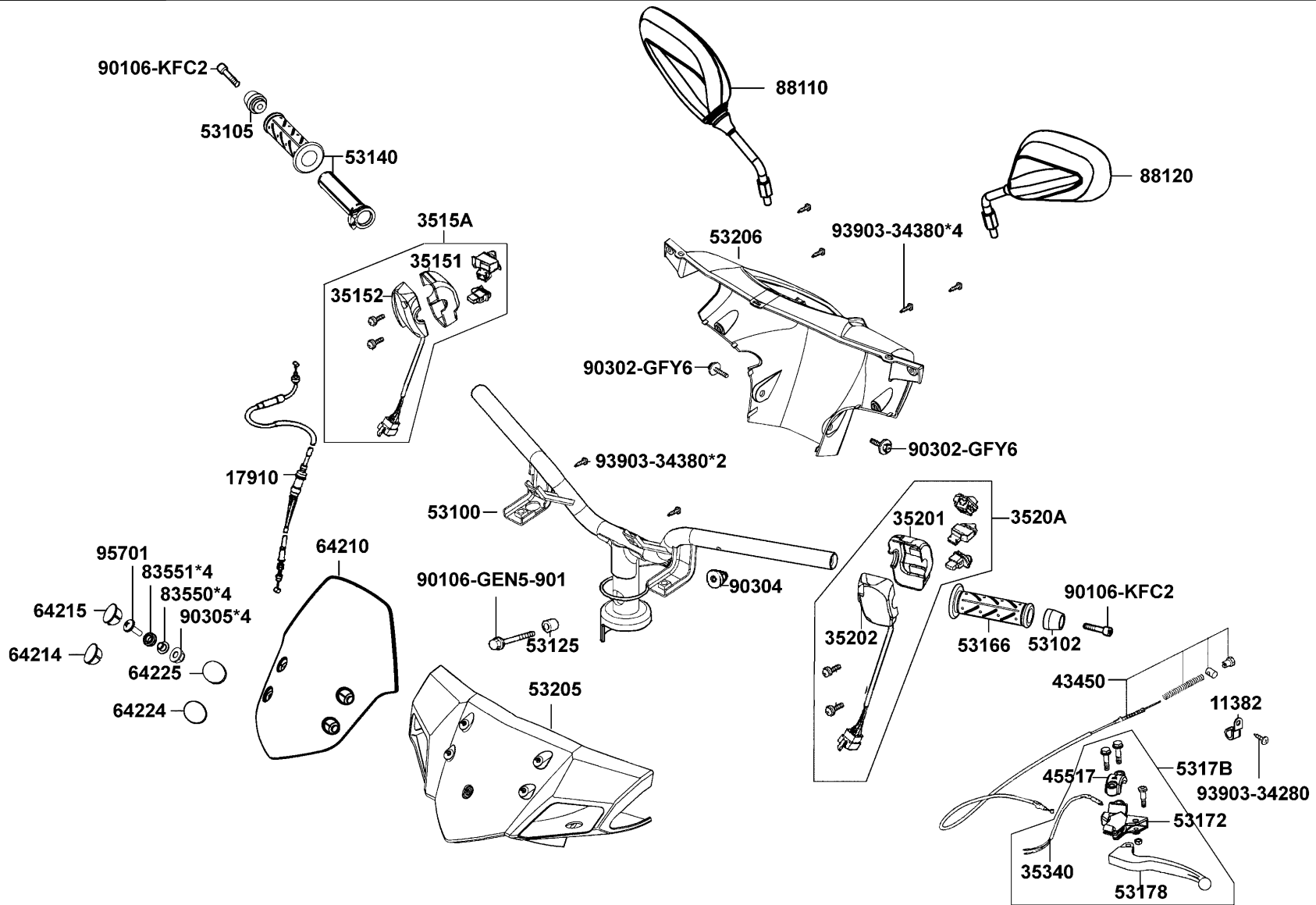
Handle Steering Handle Cover



Sales mark	Ref no	Part no	Ver	Description	Reg description	Regd no	F03
	11382	11382-KHB4-900	2	CLAMP BRAKE CABLE	CLAMP BRAKE CABLE	1	
	17910	17910-LCD2-E00	2	CABLE COMP THROT	CABLE COMP THROT	1	
	35151	35151-KGBG-910	1	FR CASE RH HNDL COMP SW	FR CASE RH HNDL COMP SW	1	
	35152	35152-KGBG-900	2	RR CASE RH HNDL COMP SW	RR CASE RH HNDL COMP SW	1	
	3515A	3515A-KGBG-E00	3	SW ASSY RH HNDL COMP	SW ASSY RH HNDL COMP	1	
	35201	35201-KGBG-910	1	FR CASE LH HNDL COMP SW	FR CASE LH HNDL COMP SW	1	
	35202	35202-KGBG-900	3	RR CASE LH HNDL COMP SW	RR CASE LH HNDL COMP SW	1	
	3520A	3520A-KGBG-E00	4	SW ASSY LH HNDL COMP	SW ASSY LH HNDL COMP	1	
	35340	35340-KKJ9-0100	4	SW ASSY FR STOP	SW ASSY FR STOP	1	
	43450	43450-LEJ2-E10	0	CABLE COMPRR BRK.	CABLE COMPRR BRK.	1	
	45517	45517-GFY6-9000	5	HOLDER HNDL BRKT	HOLDER HNDL BRKT	1	
	53100	53100-LEJ2-E10	3	HANDLE COMP STRG	HANDLE COMP STRG	1	
	53102	53102-KEC8-900	0	END L STRG HANDLE	END L STRG HANDLE	1	
	53105	53105-LBB5-E00	2	END R STRG HANDLE	END R STRG HANDLE	1	
	53125	53125-GEN5-901	0	COLLAR HANDLE SET	COLLAR HANDLE SET	1	
	53140	53140-LEJ2-E10	0	GRIP COMP THROT	GRIP COMP THROT	1	
	53166	53166-LEJ2-E10	0	GRIP L HANDLE	GRIP L HANDLE	1	
	53172	53172-KTCT-900	0	BRKT HANDLE L	BRKT HANDLE L	1	
	5317B	5317B-LCD1-E00	2	BRACKET ASSY HANDLE LH	BRACKET ASSY HANDLE LH	1	
**	53205	53205-LEJ2-E10	0	COVER HANDLE FR	COVER HANDLE FR	1	

F03

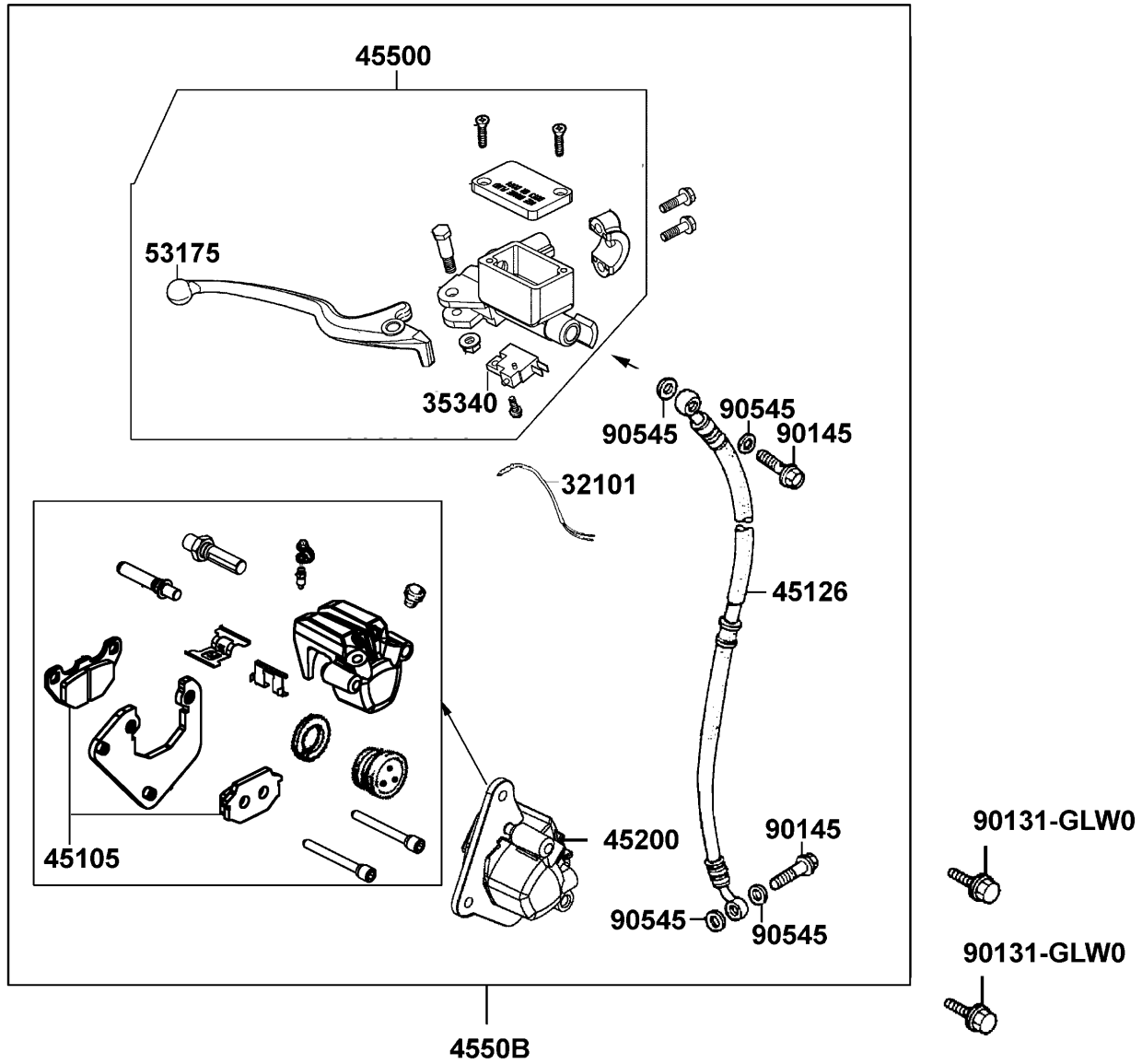
Handle Steering Handle Cover



Sales mark	Ref no	Part no	Ver	Description	Reg description	Regd no	F03
	53206	53206-LEJ2-E10	0	COVER HANDLE RR	COVER HANDLE RR	1	
	64210	64210-LEJ2-E10	0	ASSY METER VISOR	ASSY METER VISOR	1	
	64214	64214-LEJ2-E10	0	COVER R UP VISOR	COVER R UP VISOR	1	
	64215	64215-LEJ2-E10	0	COVER R DOWN VISOR	COVER R DOWN VISOR	1	
	64224	64224-LEJ2-E10	0	COVER L UP VISOR	COVER L UP VISOR	1	
	64225	64225-LEJ2-E10	0	COVER L DOWN VISOR	COVER L DOWN VISOR	1	
	83550	83550-KEC8-900	0	COLLAR	COLLAR	4	
	83551	83551-KEC8-C10	0	CUSH RR FENDER	CUSH RR FENDER	4	
	88110	88110-LEB5-C10	1	MIRROR ASSY R BACK	MIRROR ASSY R BACK	1	
	88120	88120-LEB5-C10	1	MIRROR ASSY L BACK	MIRROR ASSY L BACK	1	
	90106-GEN5	90106-GEN5-901	0	BOLT FLANGE 10*50	BOLT FLANGE 10*50	1	
	90106-KFC2	90106-KFC2-900	0	BOLT WASH 8MM	BOLT WASH 8MM	2	
	90302-GFY6	90302-GFY6-901	1	BOLT WASH 5*12	BOLT WASH 5*12	2	
	90304	90304-GHE8-004	0	NUT U 10MM	NUT U 10MM	1	
	90305	90305-GHK8-001	1	NUT CLIP 6MM	NUT CLIP 6MM	4	
	93903-34280	93903-34280	0	SCREW TAPPING 4*10 (K)	SCREW TAPPING 4*10 (K)	1	
	93903-34380	93903-34380	0	SCREW TAPPING 4*12	SCREW TAPPING 4*12	6	
	95701	95701-06020-08	0	SCREW FLANGE 6*20	SCREW FLANGE 6*20	4	

F04

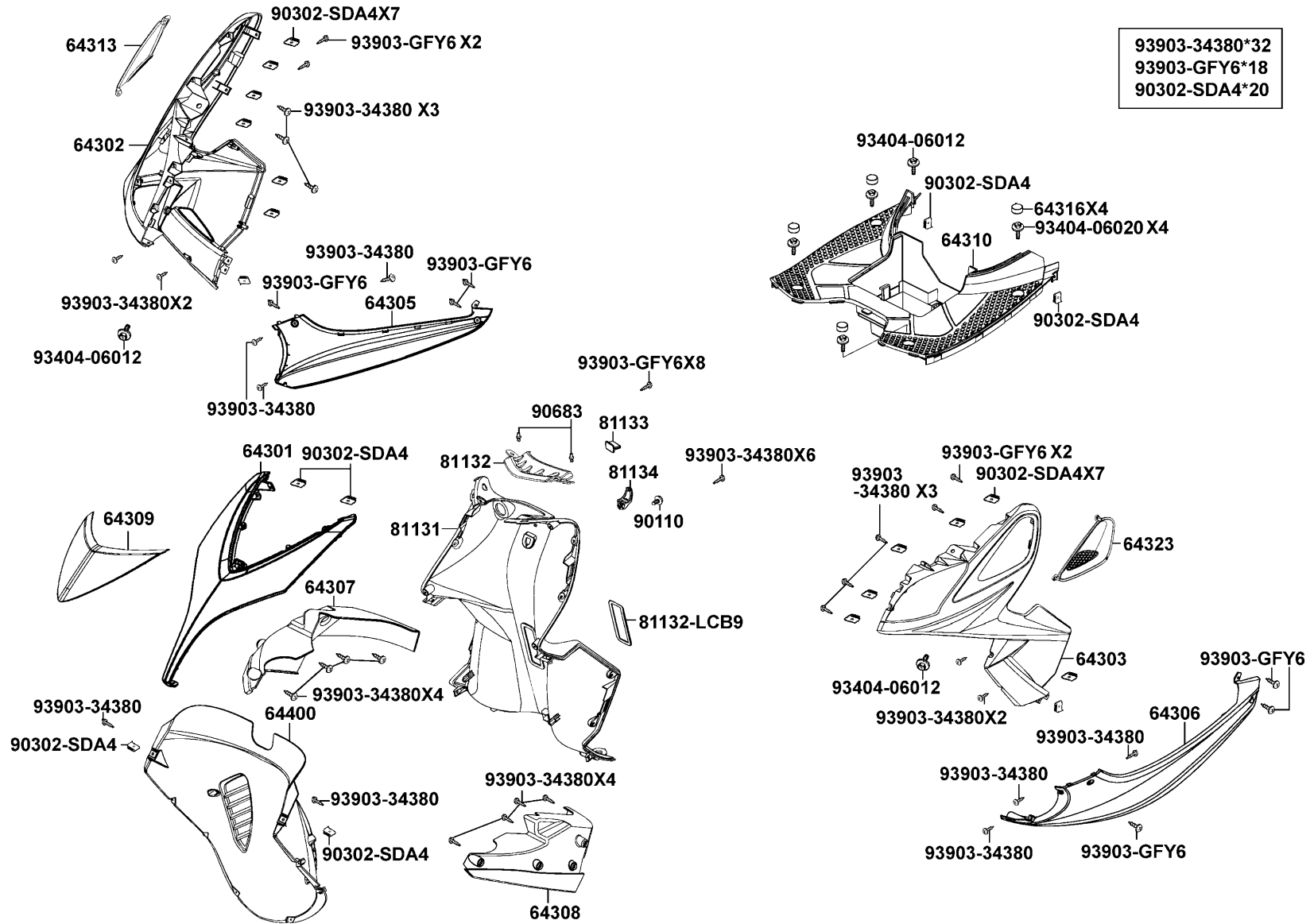
Brake Master Cylinder



Sales mark	Ref no	Part no	Ver	Description	Reg description	Regd no	F04
	32101	32101-GFY6-901	1	SUB CORD R/H	SUB CORD R/H	1	
	35340	35340-KNBN-901	0	SW ASSY FR STOP	SW ASSY FR STOP	1	
	45105	45105-LEJ2-305	0	PAD COMP A&B	PAD COMP A&B	1	
	45126	45126-LDC8-E10	2	HOSE ASSY FR BRAKE	HOSE ASSY FR BRAKE	1	
	45200	45200-LEJ2-E1A	0	CALIPER ASSY FR LH	CALIPER ASSY FR LH	1	
	45500	45500-LDC8-E10	1	M/C ASSY FR	M/C ASSY FR	1	
	4550B	4550B-LEJ2-E10	0	SUB ASSY FR BRK	SUB ASSY FR BRK	1	
	53175	53175-LDC8-E10	1	LEVER R STRG HNDL	LEVER R STRG HNDL	1	
	90131	90131-GLWO-9110	0	BOLT FLANGE 8*35	BOLT FLANGE 8*35	2	
	90145	90145-961-011	1	OIL BOLT 10*22	OIL BOLT 10*22	2	
	90545	90545-3L00-001	2	WASHER OIL BOLT	WASHER OIL BOLT	4	

F05

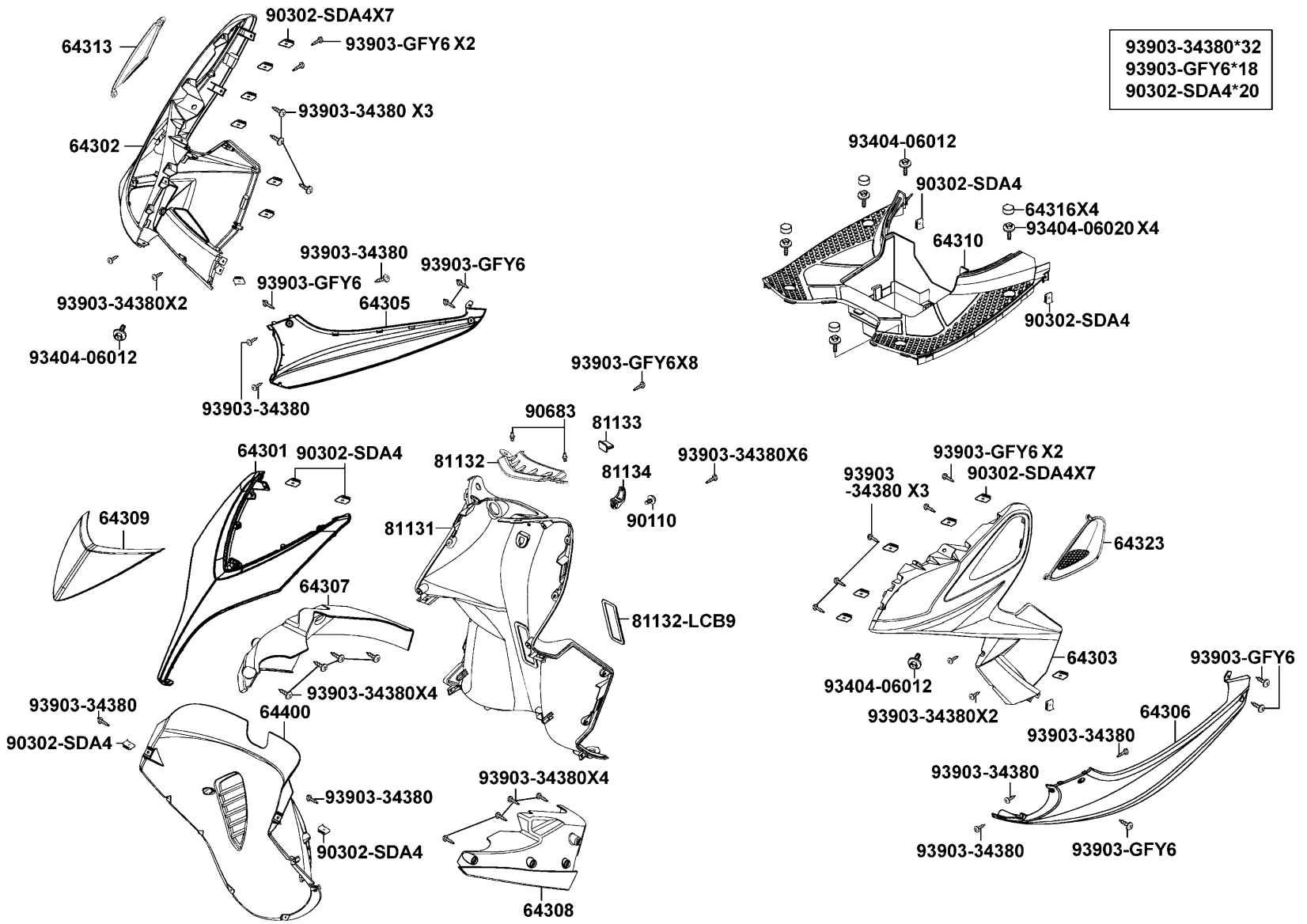
Front Cover Front Fender



Sales mark	Ref no	Part no	Ver	Description	Reg description	Regd no	F05
**	64301	64301-LEJ2-E10	1	COVER FR	COVER FR	1	
**	64302	64302-LEJ2-E10	0	MOLE R SIDE	MOLE R SIDE	1	
**	64303	64303-LEJ2-E10	0	COVER FR TOP	COVER FR TOP	1	
**	64305	64305-LEJ2-E10	0	SKIRT R SIDE	SKIRT R SIDE	1	
**	64306	64306-LEJ2-E10	0	SKIRT L SIDE	SKIRT L SIDE	1	
	64307	64307-LEJ2-E10	0	COVER R SIDE MOLD	COVER R SIDE MOLD	1	
	64308	64308-LEJ2-E10	0	COVER L SIDE MOLD	COVER L SIDE MOLD	1	
**	64309	64309-LEJ2-E10	0	COVER FR TOP	COVER FR TOP	1	
	64310	64310-LEJ2-E10	0	FLOOR PANEL	FLOOR PANEL	1	
	64313	64313-LEJ2-E10	0	GRILL R SIDE MOLD	GRILL R SIDE MOLD	1	
**	64316	64316-LCB9-C10	0	PLUG FLOOR	PLUG FLOOR	4	
	64323	64323-LEJ2-E10	0	GRILL L SIDE MOLD	GRILL L SIDE MOLD	1	
	64400	64400-LEJ2-E10	0	COWL UNDER	COWL UNDER	1	
	81131	81131-LEJ2-E10	0	LEG SHIELD UP	LEG SHIELD UP	1	
	81132-LCB9	81132-LCB9-C10	0	Xc	Xc	1	
	81132-LEJ2	81132-LEJ2-E10	0	LID INNER BOX	LID INNER BOX	1	
**	81133	81133-KGBG-9000	0	STOPPER LUGGAGE	STOPPER LUGGAGE	1	
**	81134	81134-KGBG-9000	2	HOOK LUGGAGE	HOOK LUGGAGE	1	
	90110	90110-GLW0-001	0	SCREW SPECIAL 6*14	SCREW SPECIAL 6*14	1	
	90302-SDA4	90302-SDA4-004	1	NUT SPRING 4MM	NUT SPRING 4MM	20	

F05

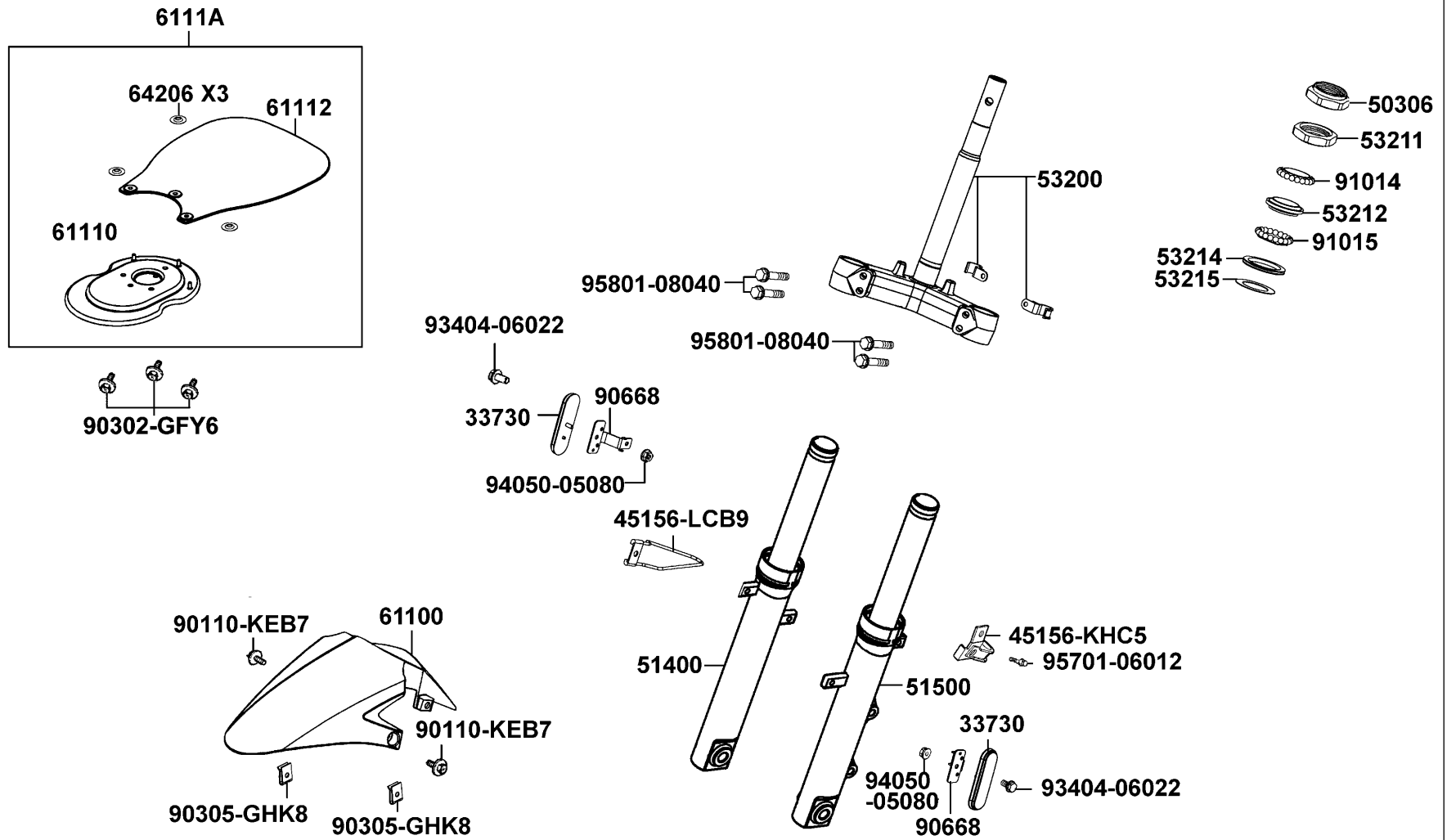
Front Cover Front Fender



Sales mark	Ref no	Part no	Ver	Description	Reg description	Regd no	F05
	90683	90683-GAR1-0040	4	"CLIP , BODY COVER"	"CLIP , BODY COVER"	2	
	93404-06012	93404-06012-07	0	BOLT WASH 6*12	BOLT WASH 6*12	3	
	93404-06020	93404-06020-07	0	BOLT WASHER 6*20 (K)	BOLT WASHER 6*20 (K)	4	
	93903-34380	93903-34380	0	SCREW TAPPING 4*12	SCREW TAPPING 4*12	33	
	93903-GFY6	93903-GFY6-900	1	SCREW TAPPING 4*14	SCREW TAPPING 4*14	20	

F06

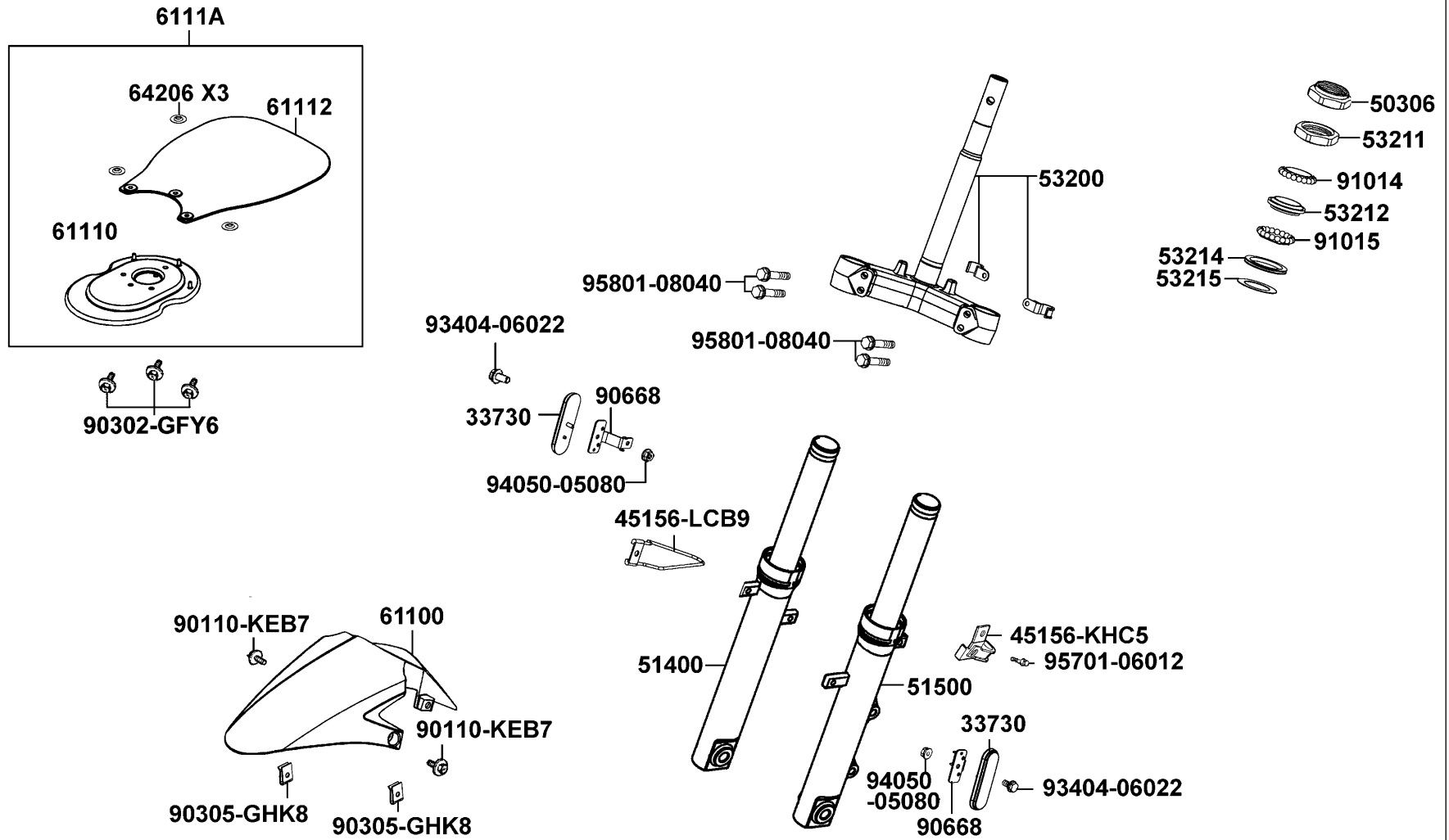
Stem Steering Front Cushion



Sales mark	Ref no	Part no	Ver	Description	Reg description	Regd no	F06
	33730	33730-LDC8-M30	0	"REFLEX REFLECTOR, R SIDE"	"REFLEX REFLECTOR, R SIDE"	2	
	45156-KHC5	45156-KHC5-E10	0	CLAMPER FR BRAKE HOSE	CLAMPER FR BRAKE HOSE	1	
	45156-LCB9	45156-LCB9-B20	0	CLAMPER FR SPDMT CABLE	CLAMPER FR SPDMT CABLE	1	
	50306	50306-1F96-0010	0	NUT STRG STEM LOCK	NUT STRG STEM LOCK	1	
**	51400	51400-LEJ2-E10	2	FORK ASSY RH FR	FORK ASSY RH FR	1	
**	51500	51500-LEJ2-E10	2	FORK ASSY LH FR	FORK ASSY LH FR	1	
	53200	53200-LEJ2-E10	0	STEM COMP STRG	STEM COMP STRG	1	
	53211	53211-GFY6-9400	1	RACE STRG TOP CONE	RACE STRG TOP CONE	1	
	53212	53212-2L50-011	1	RACE STRG BOT CONE	RACE STRG BOT CONE	1	
	53214	53214-2L50-001	0	DUST SEAL STRG(HEAD)	DUST SEAL STRG(HEAD)	1	
	53215	53215-2L50-001	0	WASH STRG HDL DUST-SEAL	WASH STRG HDL DUST-SEAL	1	
**	61100	61100-LEJ2-E10	0	FENDER FR	FENDER FR	1	
	61110	61110-LDC8-E90	0	FENDER FR INNER	FENDER FR INNER	1	
	61112	61112-LDC8-E90	0	"PLATE,FR.INNER SPLASH GUARD"	"PLATE,FR.INNER SPLASH	1	
	6111A	6111A-LDC8-E90	0	FENDERMFR. INNER ASSY	FENDERMFR. INNER ASSY	1	
	64206	64206-MLJ0-001	1	NUT SPEED 4MM	NUT SPEED 4MM	3	
	90110-KEB7	90110-KEB7-900	1	SCREW SPECIAL 6*14	SCREW SPECIAL 6*14	2	
	90302-GFY6	90302-GFY6-901	1	BOLT WASH 5*12	BOLT WASH 5*12	2	
	90305-GHK8	90305-GHK8-001	1	NUT CLIP 6MM	NUT CLIP 6MM	2	
	90668	90668-LEJ2-E10	0	STAY SIDE REFLECTOR	STAY SIDE REFLECTOR	2	

F06

Stem Steering Front Cushion

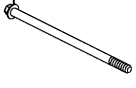


Sales mark	Ref no	Part no	Ver	Description	Reg description	Regd no	F06
	91014	91014-LLJ3-E00	1	CASE STEERING TOPP	CASE STEERING TOPP	1	
	91015	91015-LLJ3-E00	1	CASE STEERING BOT	CASE STEERING BOT	1	
	93404-06022	93404-06022-07	0	BOLT WASHER 6*22 (K)	BOLT WASHER 6*22 (K)	2	
	94050-05080	94050-05080	0	NUT FLANGE 5MM	NUT FLANGE 5MM	2	
	95701-06012	95701-06012-08	0	BOLT FLANGE 6*12	BOLT FLANGE 6*12	1	
	95801-08040	95801-08040-08	0	BOLT FLANGE 8*40	BOLT FLANGE 8*40	4	

F07

Front Wheel

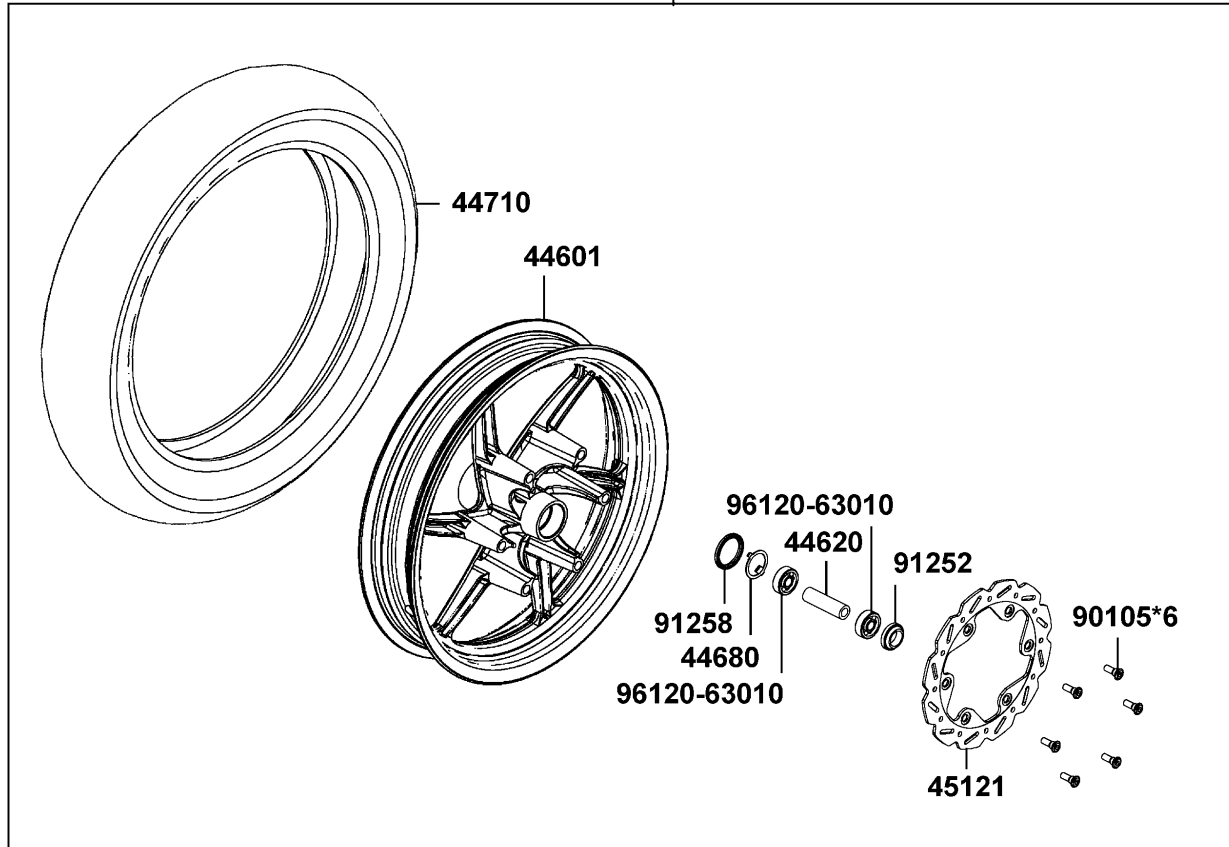
44301



44800



44600



44710

44601

96120-63010

44620

91252

91258

44680

96120-63010

90105*6

45121

90306

44311

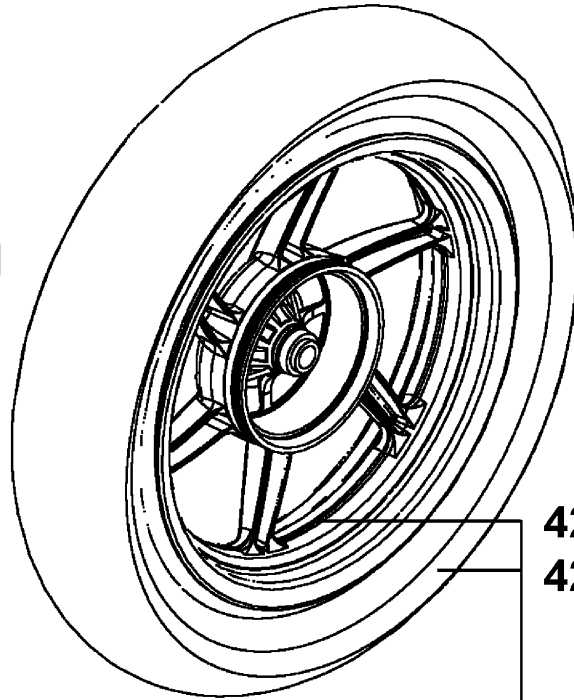
Sales mark	Ref no	Part no	Ver	Description	Reg description	Regd no	F07
	44301	44301-LEJ2-E10	1	AXLE FR WHEEL	AXLE FR WHEEL	1	
	44311	44311-0F46-0010	1	COLLAR FR WHEEL SIDE	COLLAR FR WHEEL SIDE	1	
**	44600	44600-LEJ3-E10	0	WHEEL ASSY FR	WHEEL ASSY FR	1	
**	44601	44601-LEJ3-E10	0	WHEEL CAST FR	WHEEL CAST FR	1	
	44620	44620-KFLF-9300	1	COLLAR FR DIST	COLLAR FR DIST	1	
	44680	44680-4L10-0010	1	RETAINER GEAR BOX	RETAINER GEAR BOX	1	
	44710	44710-LEJ3-E10	0	TIRE ASSY FR	TIRE ASSY FR	1	
	44800	44800-KFA6-900	1	GEAR BOX ASSY SPDMT	GEAR BOX ASSY SPDMT	1	
	45121	45121-LEJ2-E10	0	DISK FR BRK	DISK FR BRK	1	
	90105	90105-KCR3-001	1	BOLT FR DISK 8*24	BOLT FR DISK 8*24	5	
	90306	90306-KLF0-004	0	NUT FLANGE 12MM	NUT FLANGE 12MM	1	
	91252	91252-0L30-0000-M2	4	OIL SEAL WHEEL 23*37*7	OIL SEAL WHEEL 23*37*7	1	
	91258	91258-4L10-0000-M2	7	DUST SEAL 40*50*5	DUST SEAL 40*50*5	1	
	96120-63010	96120-63010-10	0	BEARING BALL RADIAL 6301	BEARING BALL RADIAL 6301	2	

F08

Rear Wheel

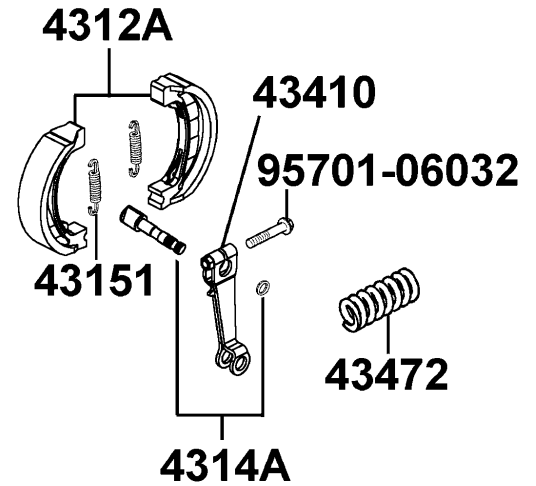
90305-KNBN

90501-KNBN



42601
42710

42600

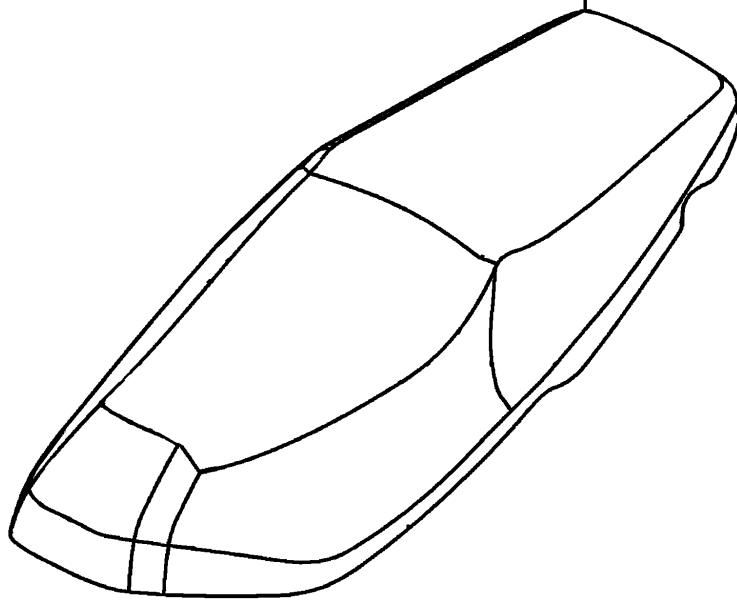


Sales mark	Ref no	Part no	Ver	Description	Reg description	Regd no	F08
**	42600	42600-LEJ3-E10	0	WHEEL ASSY RR	WHEEL ASSY RR	1	
**	42601	42601-LEJ2-E10	0	WHEEL CAST RR	WHEEL CAST RR	1	
	42710	42710-LEJ3-E10	0	TIRE ASSY REAR	TIRE ASSY REAR	1	
	4312A	4312A-KUDU-900	4	SHOE ASSY RR BRAKE	SHOE ASSY RR BRAKE	1	
	4314A	4314A-LCD3-E00	2	CAM ASSY RR BRAKE	CAM ASSY RR BRAKE	1	
	43151	43151-KGM7-9600	1	SPRING BRAKE SHOE REAR	SPRING BRAKE SHOE REAR	2	
	43410	43410-KFA6-900	1	ARM RR BRAKE	ARM RR BRAKE	1	
	43472	43472-KHG8-001	1	SPG RR BRK ARM	SPG RR BRK ARM	1	
	90305-KNBN	90305-KNBN-9030-M2	0	NUT U 16MM(C)	NUT U 16MM(C)	1	
	90501-KNBN	90501-KNBN-901	0	WASHER 16MM	WASHER 16MM	1	
	95701-06032	95701-06032-08	0	BOLT FLANGE 6*32	BOLT FLANGE 6*32	1	

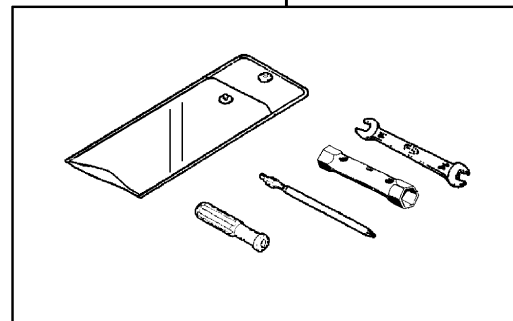
F09


Seat


77200

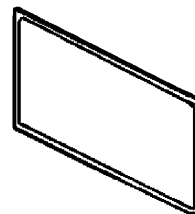


89010



94050-06080 

94050-06080 

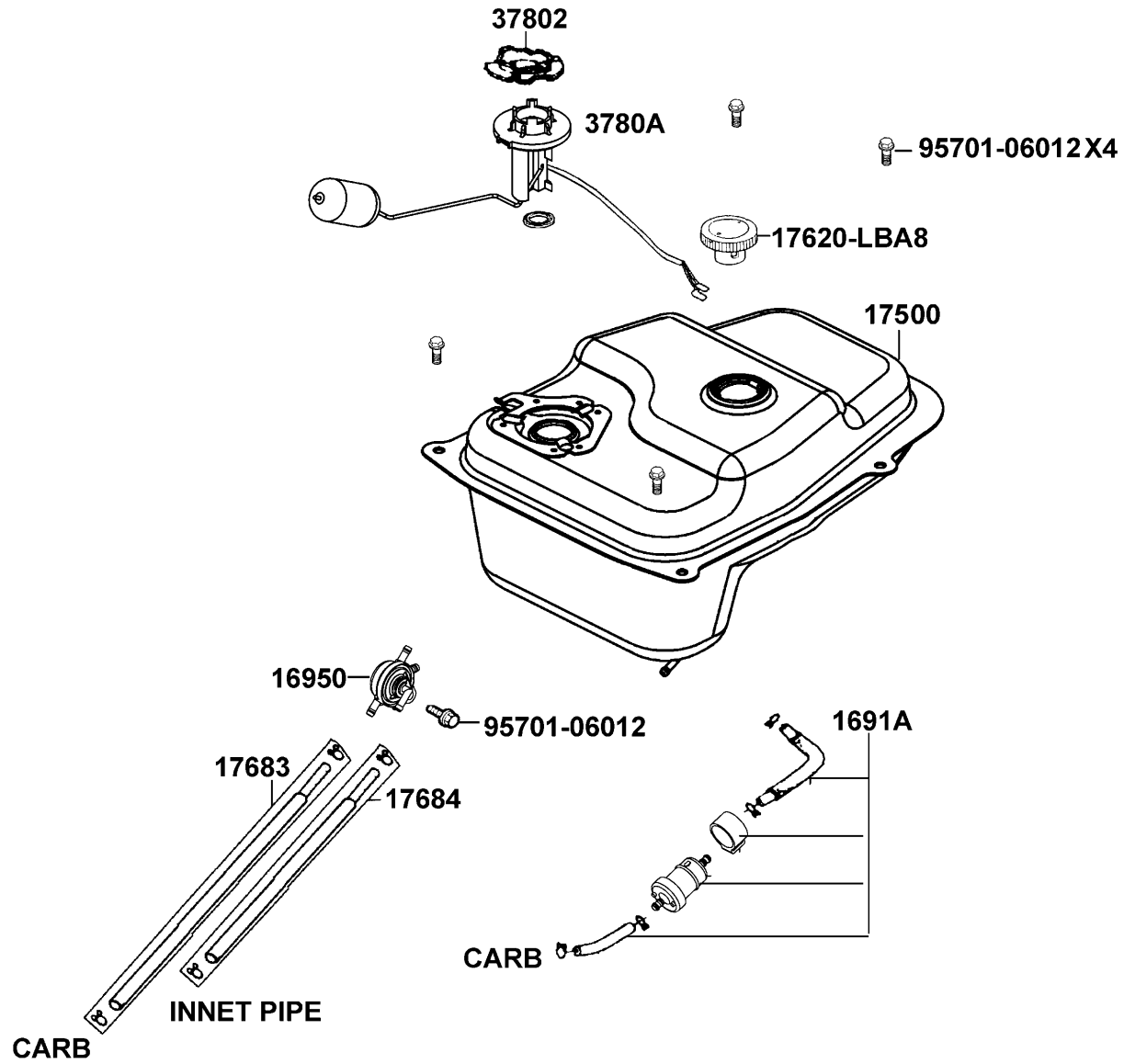


89020

Sales mark	Ref no	Part no	Ver	Description	Reg description	Regd no	F09
	77200	77200-LEJ2-E10	0	SEAT ASSY	SEAT ASSY	1	
	89010	89010-KGBG-9000	0	TOOL SET	TOOL SET	1	
	89020	89020-KKC4-900	1	BAND TOOL SET	BAND TOOL SET	1	
	94050-06080	94050-06080	0	NUT FLANGE 6MM	NUT FLANGE 6MM	2	

F10

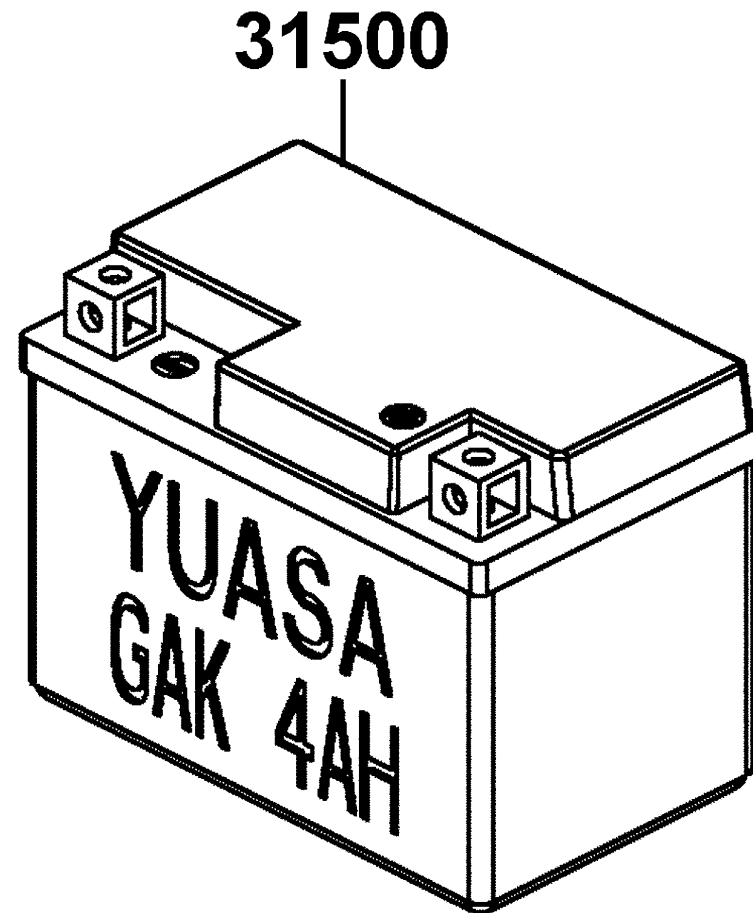
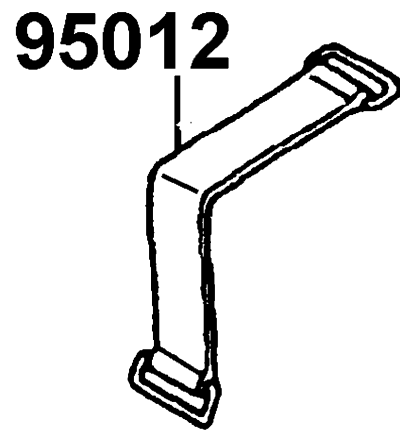
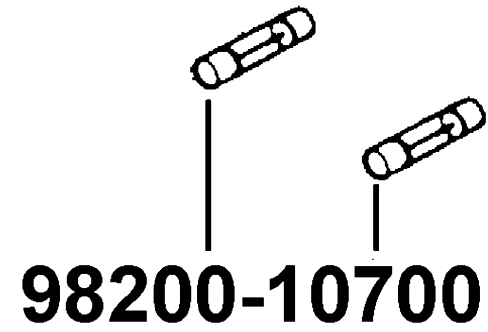
Fuel Tank



Sales mark	Ref no	Part no	Ver	Description	Reg description	Regd no	F10
	1691A	1691A-LEJ2-E10	0	STRAINER ASSY FUEL	STRAINER ASSY FUEL	1	
	16950	16950-LCA3-B50	0	AUTO COCK ASSY FUEL	AUTO COCK ASSY FUEL	1	
	17500	17500-LEJ2-E10	5	TANK COMP. FUEL	TANK COMP. FUEL	1	
	17620-LBA8	17620-LBA8-C000	0	CAP FUEL FILLER	CAP FUEL FILLER	1	
	17683	17683-LEJ2-E10	0	TUBE ASSY FUEL	TUBE ASSY FUEL	1	
	17684	17684-LEJ2-E10	0	TUBE ASSY COCK-INLET PIPE	TUBE ASSY COCK-INLET PIPE	1	
	37802	37802-GGA7-7010	0	RET FUEL UNIT	RET FUEL UNIT	1	
	3780A	3780A-LEJ2-E10	0	FUEL UNIT ASSY	FUEL UNIT ASSY	1	
	95701-06012	95701-06012-08	0	BOLT FLANGE 6*12	BOLT FLANGE 6*12	5	

F11

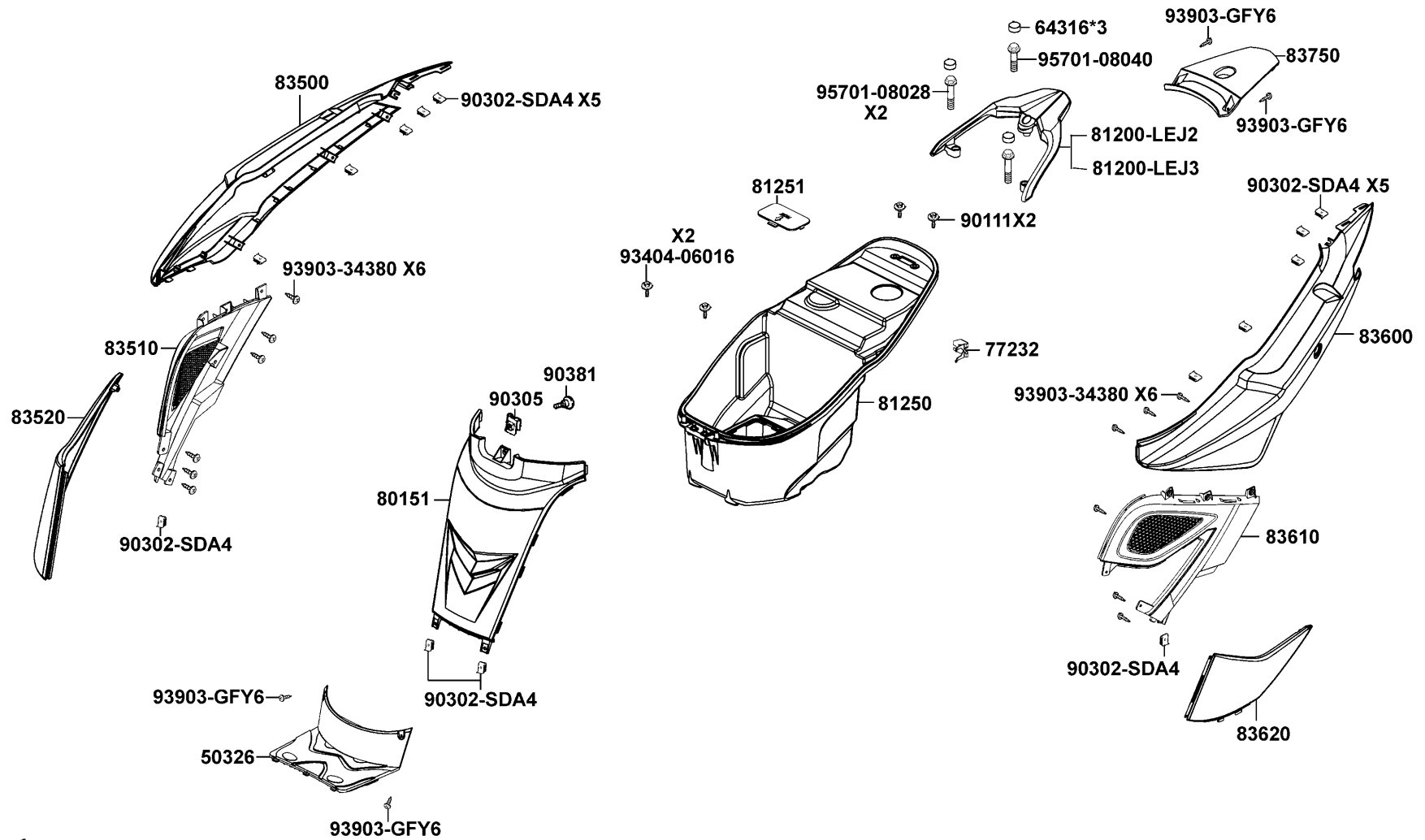
Battery



Sales mark	Ref no	Part no	Ver	Description	Reg description	Regd no	F11
	31500	31500-GFY6-9410	3	GTX7A-BS	GTX7A-BS	1	
	95012	95012-LEJ2-E10	0	BAND BATTERY	BAND BATTERY	1	
	98200-10700	98200-10700	0	FUSE A7	FUSE A7	2	

F12

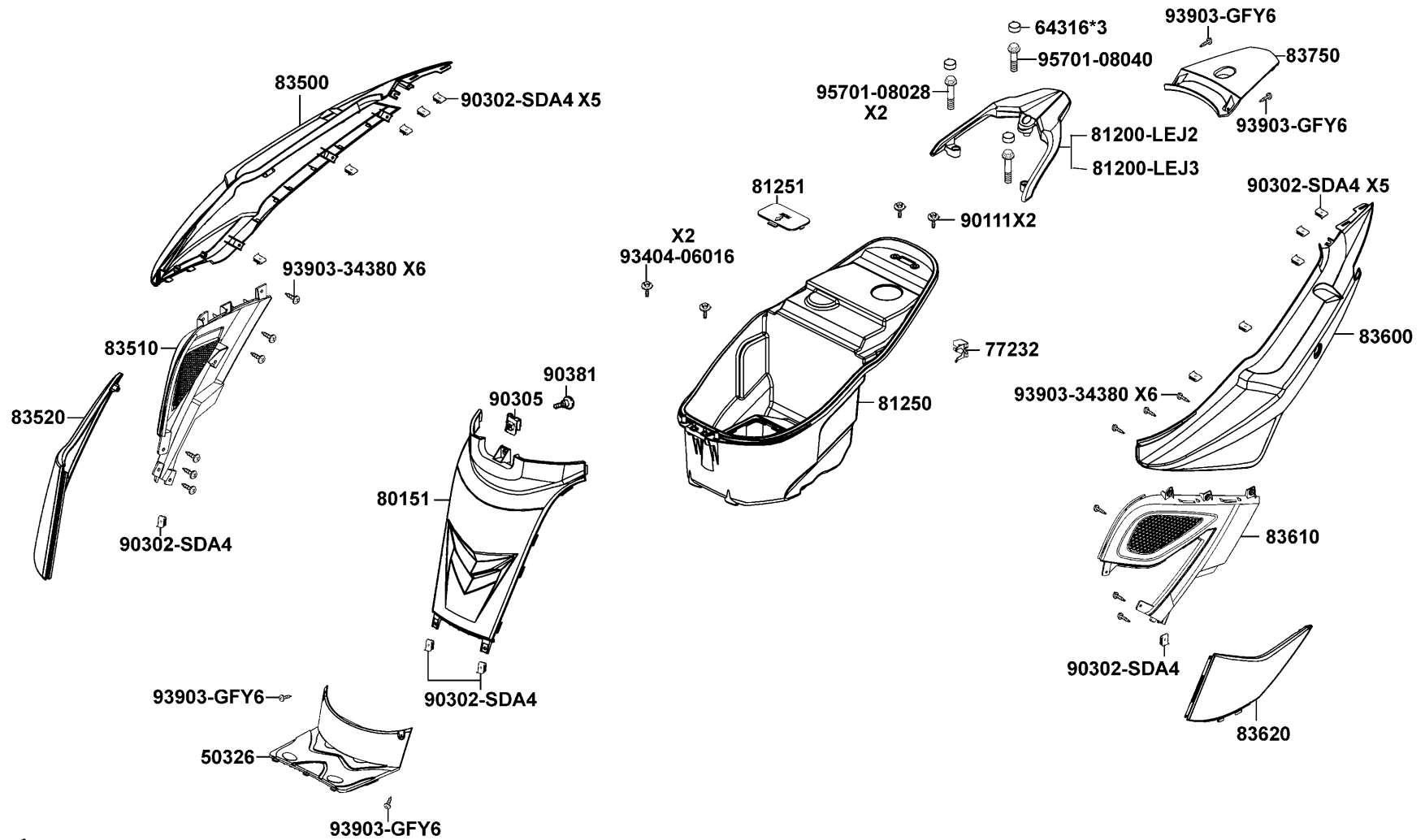
Body Cover Luggage Box



Sales mark	Ref no	Part no	Ver	Description	Reg description	Regd no	F12
	50326	50326-LEJ2-E10	0	COVER BATTERY	COVER BATTERY	1	
**	64316	64316-LCB9-C10	0	PLUG FLOOR	PLUG FLOOR	3	
	77232	77232-KCAC-9010	2	SET SPG SEAT LOCK	SET SPG SEAT LOCK	1	
	80151	80151-LEJ2-E10	0	COVER CENTER	COVER CENTER	1	
**	81200-LEJ3	81200-LEJ2-E10	0	CARRIER RR	CARRIER RR	1	
	81250	81250-LEJ3-E10	0	BOX LUGGAGE	BOX LUGGAGE	1	
	81251	81251-LEJ3-E10	0	COVER CARB MAINT	COVER CARB MAINT	1	
**	83500	83500-LEJ2-E10	0	COVER R BODY	COVER R BODY	1	
	83510	83510-LEJ2-E10	0	COVER R SIDE A	COVER R SIDE A	1	
**	83520	83520-LEJ2-E10	0	COVER R SIDE B	COVER R SIDE B	1	
**	83600	83600-LEJ2-E10	0	COVER L BODY	COVER L BODY	1	
	83610	83610-LEJ2-E10	0	COVER L SIDE A	COVER L SIDE A	1	
**	83620	83620-LEJ2-E10	0	COVER L SIDE B	COVER L SIDE B	1	
**	83750	83750-LEJ2-E10	0	COVER RR CENTER	COVER RR CENTER	1	
	90111	90111-1G87-00A	1	BOLT FLANGE 6MM	BOLT FLANGE 6MM	2	
	90302-SDA4	90302-SDA4-004	1	NUT SPRING 4MM	NUT SPRING 4MM	14	
	90305	90305-GHK8-001	1	NUT CLIP 6MM	NUT CLIP 6MM	1	
	90381	90381-GEZ5-001	1	SCREW SPECIAL 6*17	SCREW SPECIAL 6*17	1	
	93404-06016	93404-06016-07	0	BOLT WASHER 6*16 (K)	BOLT WASHER 6*16 (K)	2	
	93903-34380	93903-34380	0	SCREW TAPPING 4*12	SCREW TAPPING 4*12	12	

F12

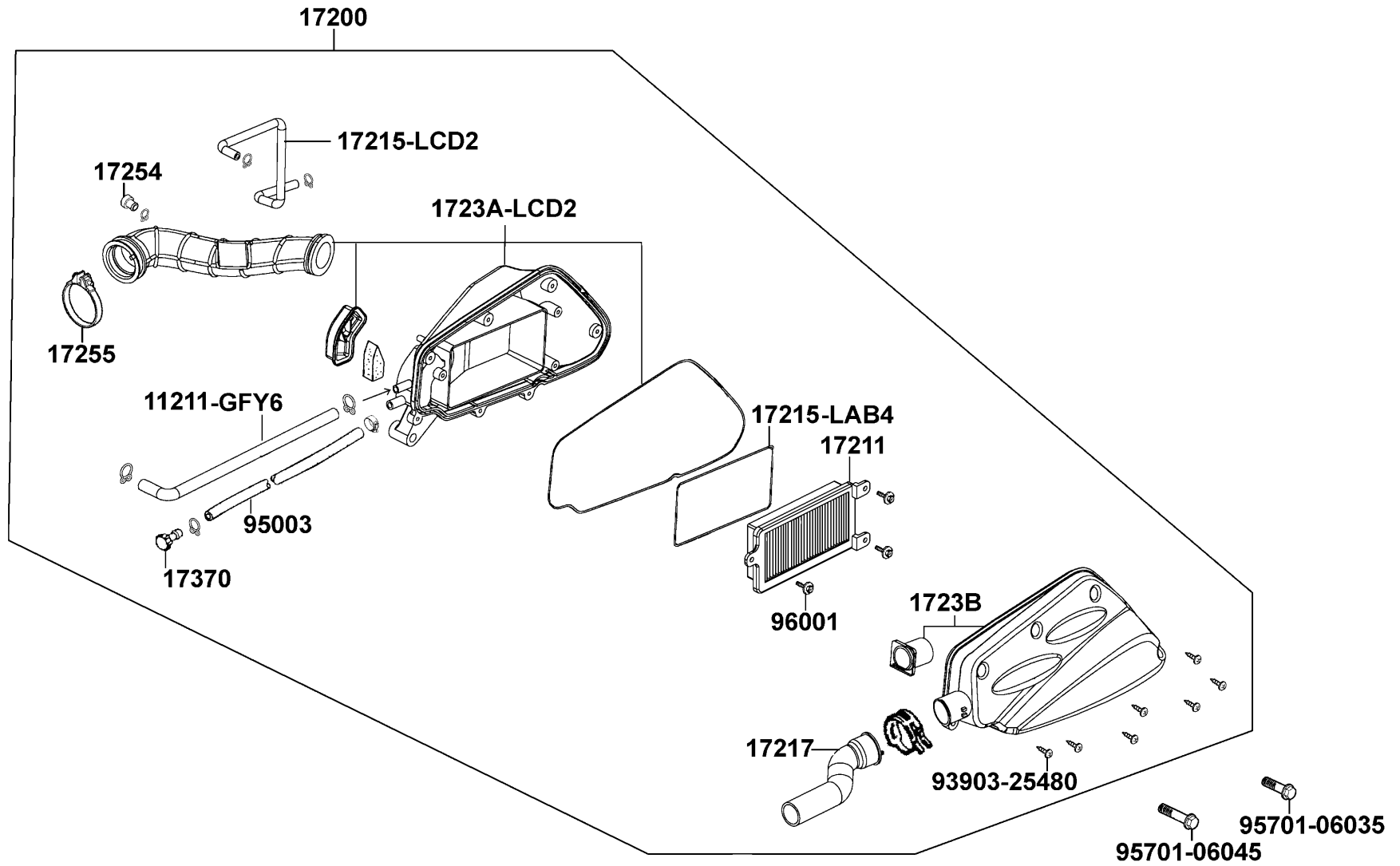
Body Cover Luggage Box



Sales mark	Ref no	Part no	Ver	Description	Reg description	Regd no	F12
	93903-GFY6	93903-GFY6-900	1	SCREW TAPPING 4*14	SCREW TAPPING 4*14	4	
	95701-08028	95701-08028-08	0	BOLT FLANGE 8*28 (C)	BOLT FLANGE 8*28 (C)	2	
	95701-08040	95701-08040-08	0	BOLT FLANGE 8*40	BOLT FLANGE 8*40	1	

F13

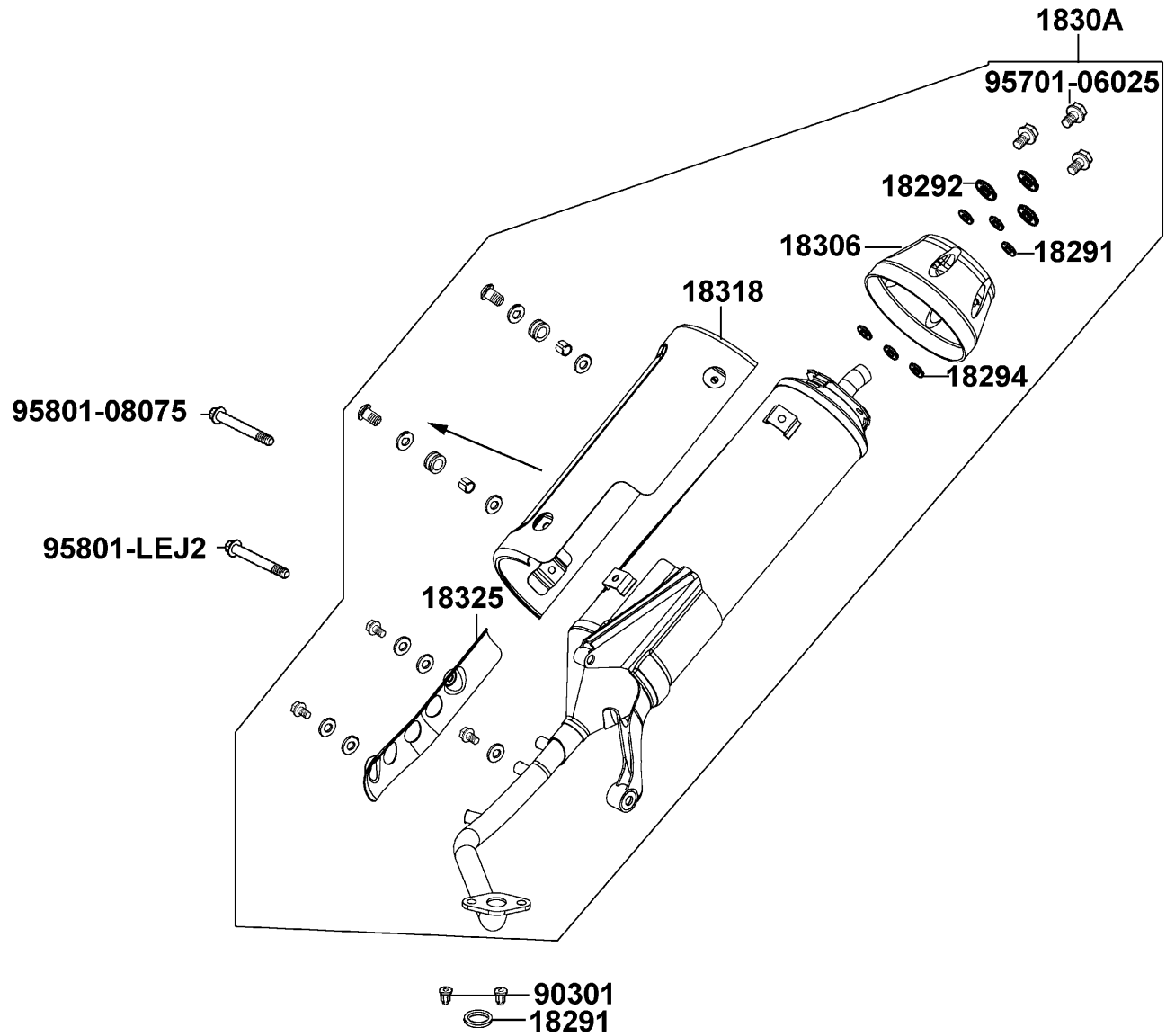
Air Cleaner



Sales mark	Ref no	Part no	Ver	Description	Reg description	Regd no	F13
	11211	11211-LCD2-E00	1	TUBE BREATHER	TUBE BREATHER	1	
	17200	17200-LEJ2-E10	3	AIR/C ASSY	AIR/C ASSY	1	
	17211	17211-LAB4-900	1	ELEMENT COMP AIR/C	ELEMENT COMP AIR/C	1	
	17215-LAB4	17215-LAB4-900	1	SEAL ELEMENT	SEAL ELEMENT	1	
	17215-LCD2	17215-LCD2-E00	2	TUBE BREATHER MISSION	TUBE BREATHER MISSION	1	
	17217	17217-LCD2-E00	3	TUBE OUTER AIR/C	TUBE OUTER AIR/C	1	
	1723A-LCD2	1723A-LCD2-E00	3	CASE ASSY AIR/C	CASE ASSY AIR/C	1	
	1723B	1723B-LCD2-E00	3	COVER ASSY AIR/C	COVER ASSY AIR/C	1	
	17254	17254-KACA-P00	0	JOINT PURGE TUBE	JOINT PURGE TUBE	1	
	17255	17255-KGBG-900	1	BAND ASSY AIR/C CONN TUBE	BAND ASSY AIR/C CONN TUBE	1	
	17370	17370-4K19-670	0	PLUG BREATHER TUBE	PLUG BREATHER TUBE	1	
	93903-25480	93903-25480	0	SCREW TAPPING 5x20 (G)	SCREW TAPPING 5x20 (G)	7	
	95003	95003-23036-60	0	V TUBE 8*12*360	V TUBE 8*12*360	1	
	95701-06035	95701-06035-08	0	BOLT FLANGE SH 6*35	BOLT FLANGE SH 6*35	1	
	95701-06045	95701-06045-08	0	BOLT FLANGE 6*45	BOLT FLANGE 6*45	1	
	96001	96001-GFY6-900	1	BOLT SPECIAL 5*10	BOLT SPECIAL 5*10	3	

F14

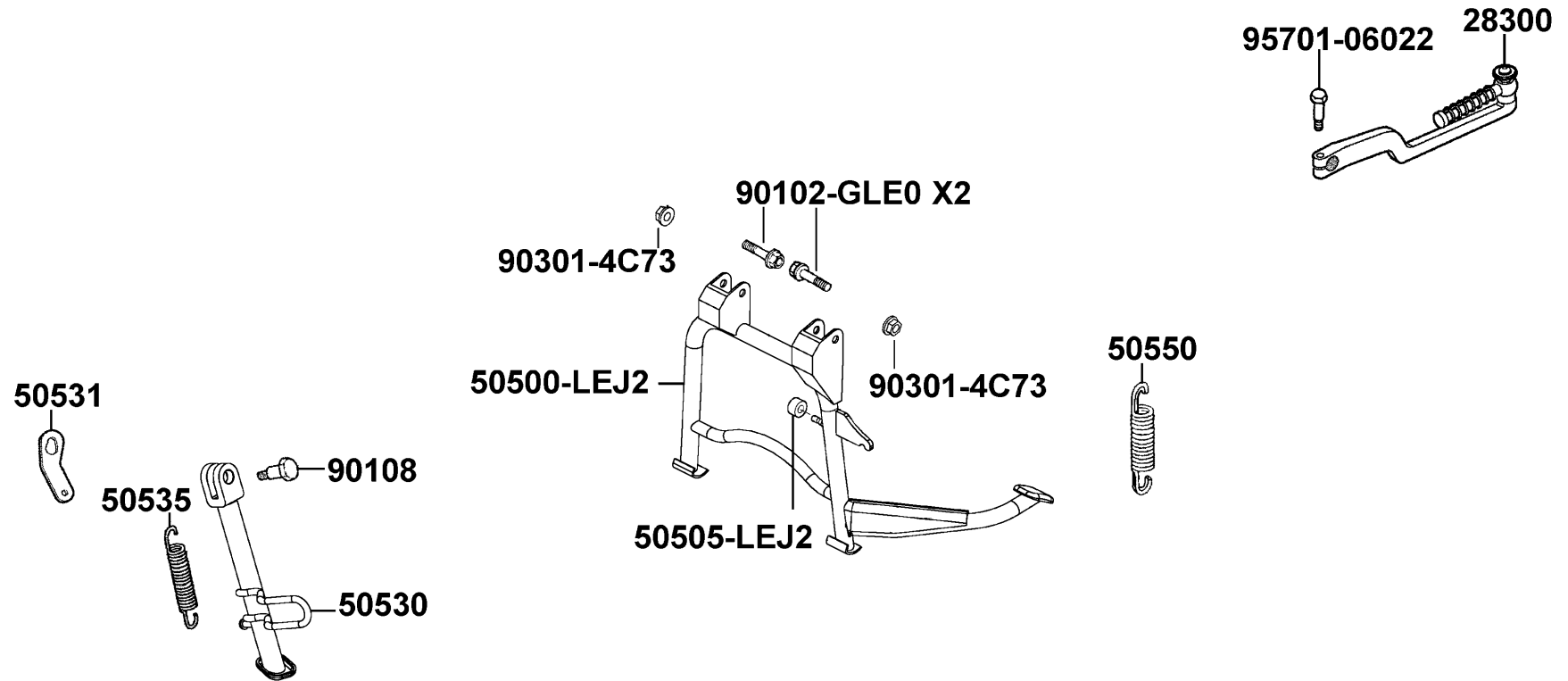
Exhaust Muffler



Sales mark	Ref no	Part no	Ver	Description	Reg description	Regd no	F14
	18291-GGA7	18291-GGA7-001	1	GASKET EXH PIPE	GASKET EXH PIPE	1	
	18291-KEBE	18291-KEBE-900	0	COLLAR	COLLAR	3	
	18292	18292-KEBE-900	0	PACKING PROTECTOR	PACKING PROTECTOR	3	
	18294	18294-KEBE-900	0	PACKING PROTECTOR	PACKING PROTECTOR	14	
	18306	18306-LEJ2-E10	3	TAIL CAP MUFFLER	TAIL CAP MUFFLER	1	
	1830A	1830A-LEJ2-E10	0	MUFFLER ASSY EXHAUST	MUFFLER ASSY EXHAUST	1	
	18318	18318-LEJ2-E10	0	PROTECTOR MUFF	PROTECTOR MUFF	1	
	18325	18325-LCD2-E00	3	PROTECTOR EXH PIPE	PROTECTOR EXH PIPE	1	
	90301	90301-KGBG-900	1	NUT CAP 6MM	NUT CAP 6MM	2	
	95701-06025	95701-06025-07	0	BOLT WASHER 6*25(K)	BOLT WASHER 6*25(K)	3	
	95801-08075	95801-08075-07	0	BOLT FLANGE 8*75 (K)	BOLT FLANGE 8*75 (K)	1	
	95801-LEJ2	95801-LEJ2-E10	0	BOLT TORX M8*75	BOLT TORX M8*75	1	

F15

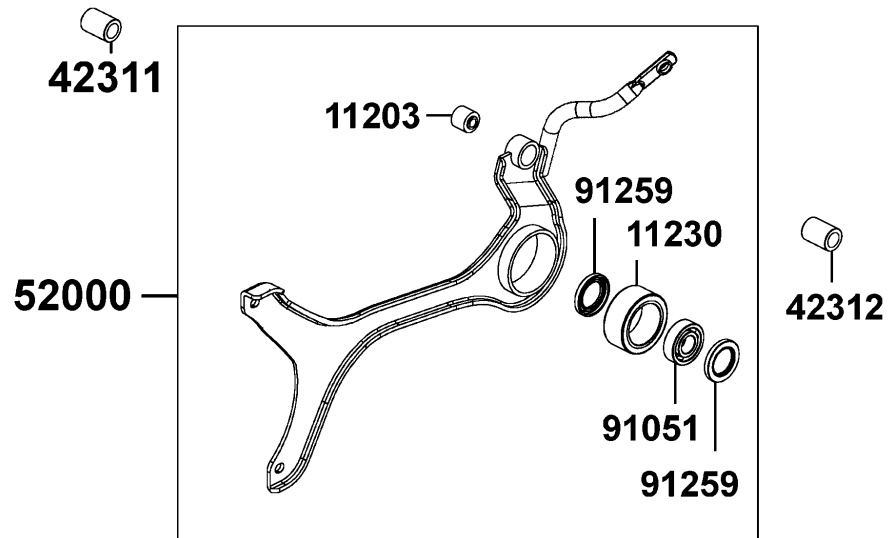
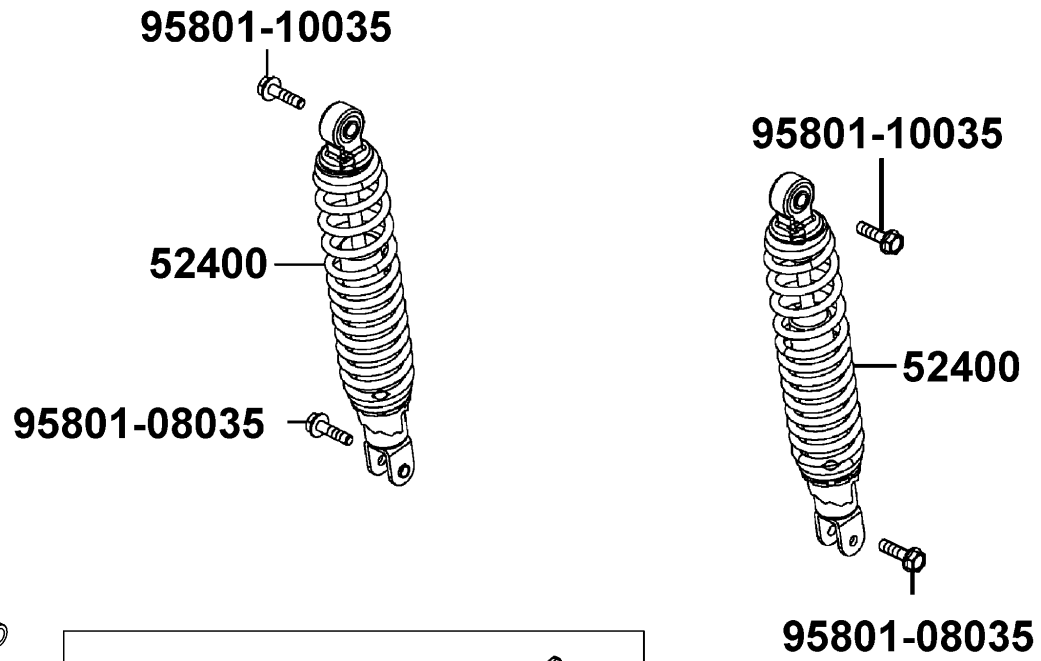
Stand Kick Starter Arm



Sales mark	Ref no	Part no	Ver	Description	Reg description	Regd no	F15
	28300	28300-KNBN-901	3	ARM ASSY KICK STARTER	ARM ASSY KICK STARTER	1	
	50500-LEJ2	50500-LEJ2-E10	1	STAND COMP MAIN	STAND COMP MAIN	1	
	50505-LEJ2	50505-LEJ2-E10	0	STOPPER RUBBER	STOPPER RUBBER	1	
	50530	50530-LEJ2-E10	0	BAR SIDE STAND	BAR SIDE STAND	1	
	50531	50531-KEB7-E00	1	PLATE SPRING STOPPER	PLATE SPRING STOPPER	1	
	50535	50535-KEB7-W10	3	SPRING COMP SIDE STAND	SPRING COMP SIDE STAND	1	
	50550	50550-KFA6-E00	0	SPG ASSY MAIN STAND	SPG ASSY MAIN STAND	1	
	90102-GLE0	90102-GLE0-001	0	BOLT HINGE PIVOT	BOLT HINGE PIVOT	2	
	90108	90108-KFA6-E00	1	SCREW SIDE STAND	SCREW SIDE STAND	1	
	90301-4C73	90301-4C73-0040	4	NUT U 6MM(K)	NUT U 6MM(K)	2	
	95701-06022	95701-06022-07	0	BOLT FLANGE 6*22 (K)	BOLT FLANGE 6*22 (K)	1	

F16

Rear Cushion

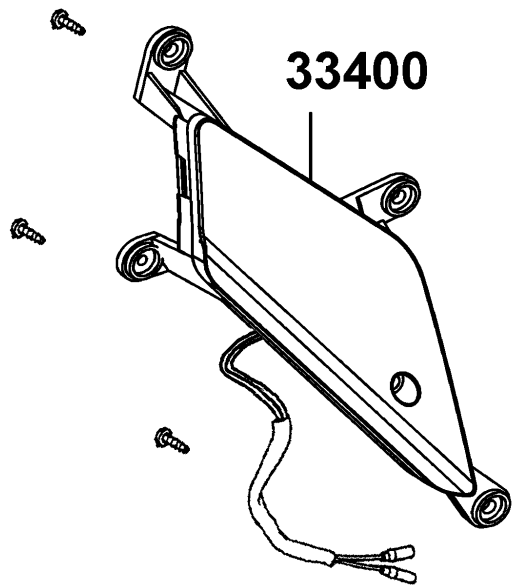


Sales mark	Ref no	Part no	Ver	Description	Reg description	Regd no	F16
	11203	11203-GGC7-W10	2	UNDER RUBBER BUSH REAR	UNDER RUBBER BUSH REAR	1	
	11230	11230-KFBF-900	0	RUBBER BUSH RR FORK	RUBBER BUSH RR FORK	1	
	42311	42311-LEJ2-E10	0	COLLAR RR AXLE A	COLLAR RR AXLE A	1	
	42312	42312-KHB4-900	0	COLLAR RR AXLE SIDE	COLLAR RR AXLE SIDE	1	
	52000	52000-LEJ2-E10	3	FORK ASSY R	FORK ASSY R	1	
	52400	52400-LEJ2-E10	2	CUSHION ASSY RR	CUSHION ASSY RR	2	
	91051	91051-KBF-9000	1	BRG BALL RADIAL 6203 LLU	BRG BALL RADIAL 6203 LLU	1	
	91259	91259-KFBF-9000	0	SEAL OIL	SEAL OIL	2	
	95801-08035	95801-08035-08	0	BOLT FLANGE 8*35	BOLT FLANGE 8*35	2	
	95801-10035	95801-10035-08	0	BOLT FLANGE 10*35	BOLT FLANGE 10*35	2	

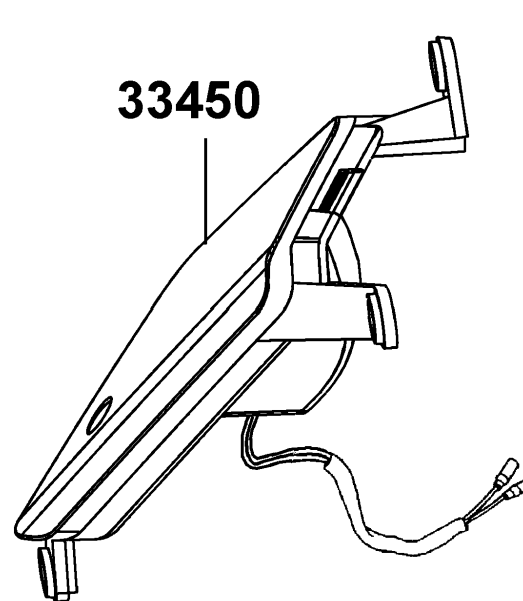
F17

Front Winker

93903-34220



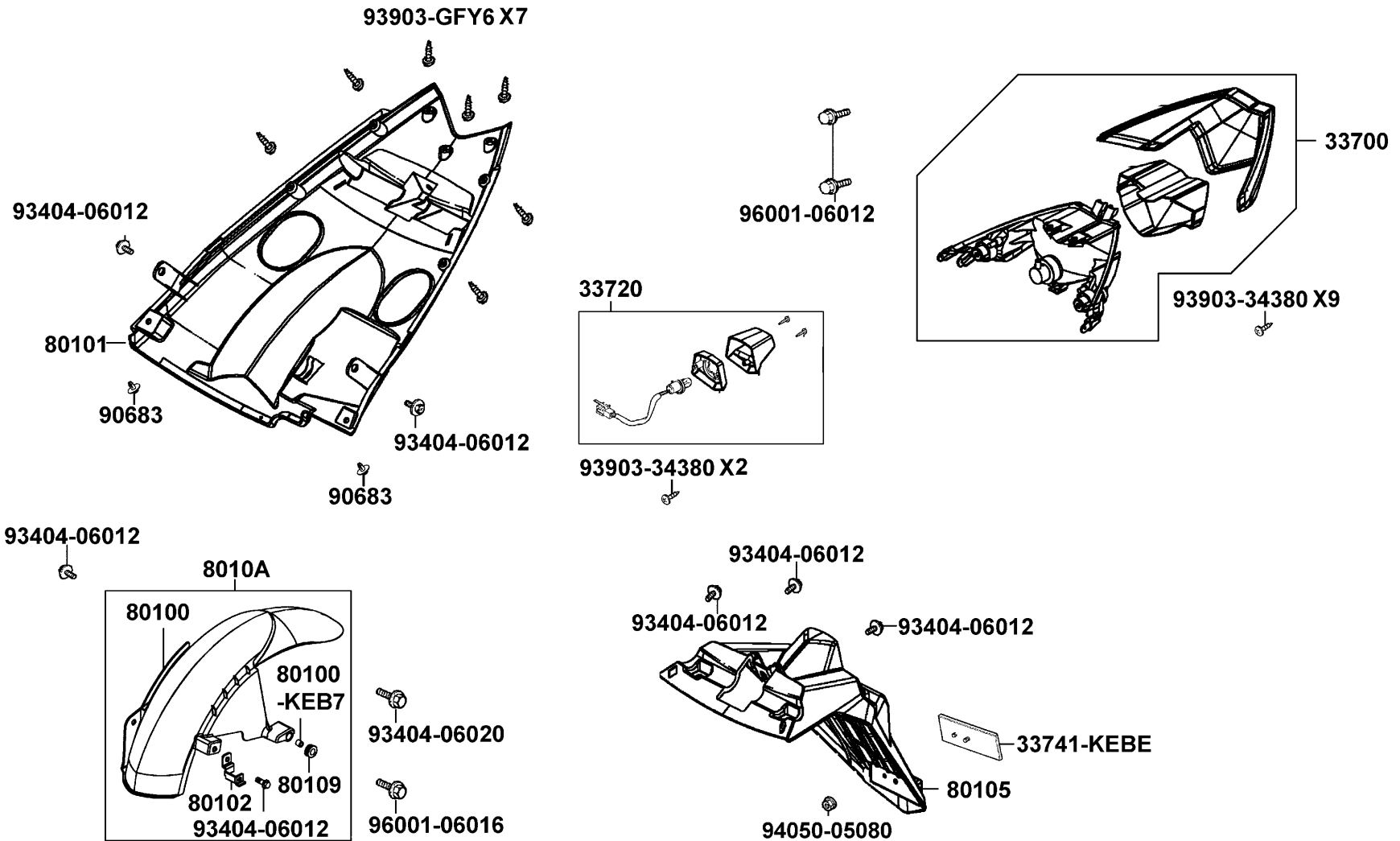
93903-34220



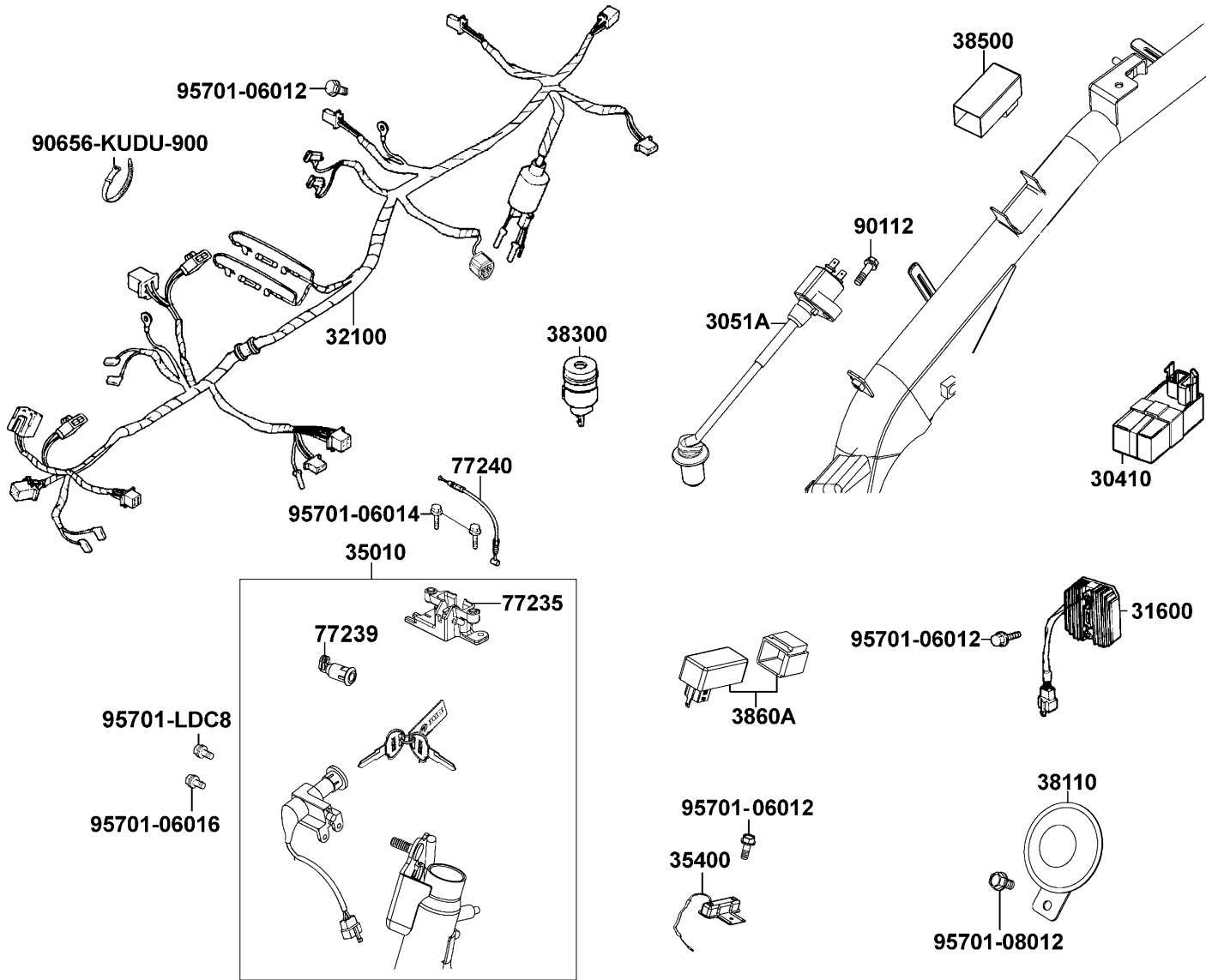
Sales mark	Ref no	Part no	Ver	Description	Reg description	Regd no	F17
	33400	33400-LEJ2-E10	0	WINKER ASSY RH FR	WINKER ASSY RH FR	1	
	33450	33450-LEJ2-E10	0	WINKER ASSY LH FR	WINKER ASSY LH FR	1	
	93903-34220	93903-34220	0	SCREW TAPPING 4*10	SCREW TAPPING 4*10	6	

F18

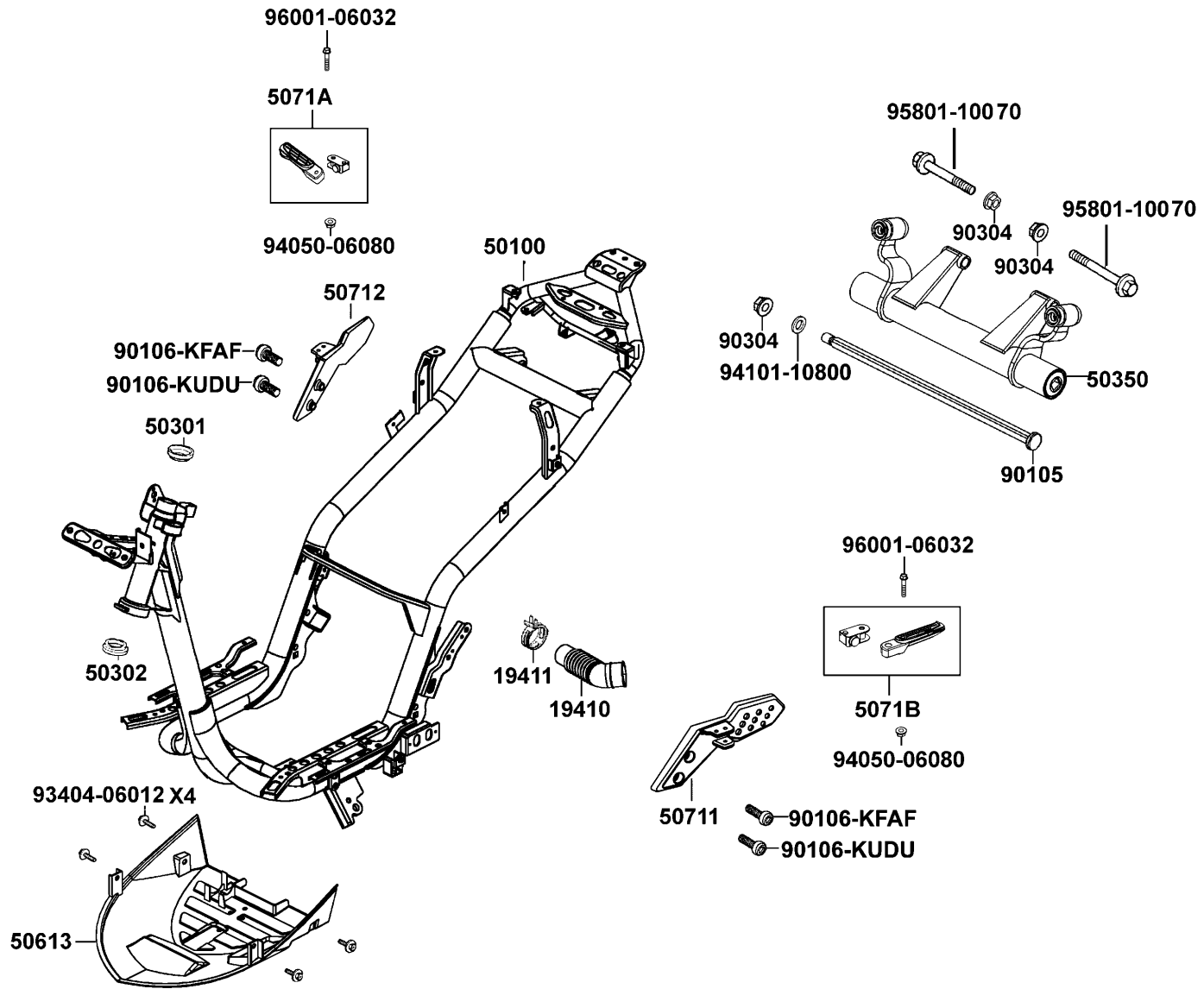
Tail Light



Sales mark	Ref no	Part no	Ver	Description	Reg description	Regd no	F18
	33700	33700-LEJ2-E10	0	LIGHT ASSY RR COMB	LIGHT ASSY RR COMB	1	
	33720	33720-LEJ2-E10	0	LIGHT ASSY LICENSE	LIGHT ASSY LICENSE	1	
	33741-KEBE	33741-KEBE-900	0	REFLEX REFLECTOR	REFLEX REFLECTOR	1	
	80100-KEB7	80100-KEB7-900	0	COLLAR RUBBER	COLLAR RUBBER	1	
	80100-LEJ2	80100-LEJ2-E10	0	FENDER RR TIRE	FENDER RR TIRE	1	
	80101	80101-LEJ2-E10	0	FENDER RR INNER	FENDER RR INNER	1	
	80102	80102-LCD2-E00	1	STAY RR TIRE FENDER	STAY RR TIRE FENDER	1	
	80105	80105-LEJ2-E10	0	FENDER REAR	FENDER REAR	1	
	80109	80109-KEB7-900	0	RUBBER RR FENDER B	RUBBER RR FENDER B	1	
	8010A	8010A-LEJ2-E10	0	FENDER ASSY. RR TIRE	FENDER ASSY. RR TIRE	1	
	90683	90683-GAR1-0040	4	"CLIP , BODY COVER"	"CLIP , BODY COVER"	2	
	93404-06012	93404-06012-07	0	BOLT WASH 6*12	BOLT WASH 6*12	7	
	93404-06020	93404-06020-07	0	BOLT WASHER 6*20 (K)	BOLT WASHER 6*20 (K)	1	
	93903-34380	93903-34380	0	SCREW TAPPING 4*12	SCREW TAPPING 4*12	11	
	93903-GFY6	93903-GFY6-900	1	SCREW TAPPING 4*14	SCREW TAPPING 4*14	7	
	94050-05080	94050-05080	0	NUT FLANGE 5MM	NUT FLANGE 5MM	1	
	96001-06012	96001-06012-08	0	BOLT FLANGE 6*12	BOLT FLANGE 6*12	2	
	96001-06016	96001-06016-08	0	BOLT FLANGE SH 6*16	BOLT FLANGE SH 6*16	1	



Sales mark	Ref no	Part no	Ver	Description	Reg description	Regd no	F19
	30410	30410-LEJ2-E10	2	UNIT COMP CDI	UNIT COMP CDI	1	
	3051A	3051A-LEJ2-E10	0	COIL ASSY IGN	COIL ASSY IGN	1	
	31600	31600-LEJ3-E10	2	"REG REC COMP,(DC)"	"REG REC COMP,(DC)"	1	
	32100	32100-LEJ2-E10	3	HARNESS WIRE	HARNESS WIRE	1	
	35010	35010-LEJ2-E10	0	KEY SET	KEY SET	1	
	35400	35400-LEJ2-E10	0	RESISTOR COMP	RESISTOR COMP	1	
	38110	38110-KGC4-B50	1	HORN COMP	HORN COMP	1	
	38300	38300-KECE-9000	2	RELAY ASSY WINKER	RELAY ASSY WINKER	1	
	38500	38500-KKDK-9000	5	RELAY ASSY START	RELAY ASSY START	1	
	3860A	3860A-LCD3-E02	1	CONTROL ASSY UNIT LIGHTING	CONTROL ASSY UNIT LIGHTING	1	
	77235	77235-KGC4-E0B	2	SEAT CATCH	SEAT CATCH	1	
	77239	77239-GFY6-9010	0	KEY SEAT LOCK	KEY SEAT LOCK	1	
	77240	77240-KGC4-E00	0	CABLE SEAT LOCK	CABLE SEAT LOCK	1	
	90112	90112-KRDR-900	0	BOLT FLANGE 5*22	BOLT FLANGE 5*22	1	
	90656	90656-KUDU-900	0	BAND HARNESS WIRE	BAND HARNESS WIRE	1	
	95701-06012	95701-06012-08	0	BOLT FLANGE 6*12	BOLT FLANGE 6*12	3	
	95701-06014	95701-06014-08	0	BOLT FLANGE 6*14	BOLT FLANGE 6*14	2	
	95701-06016	95701-06016-08	0	BOLT FLANGE 6*16	BOLT FLANGE 6*16	1	
	95701-08012	95701-08012-08	0	BOLT FLANGE 8*12	BOLT FLANGE 8*12	1	
	95701-LDC8	95701-LDC8-E10	0	BOLT TORQUE 6x16	BOLT TORQUE 6x16	1	



Sales mark	Ref no	Part no	Ver	Description	Reg description	Regd no	F20
	19410	19410-LEJ2-E10	0	DUCT COOLING	DUCT COOLING	1	
	19411	19411-KNBN-900	1	CLIP HOSE	CLIP HOSE	1	
	50100	50100-LEJ2-E10	3	BODY COMP FRAME	BODY COMP FRAME	1	
	50301	50301-KGN7-6710	2	RACE UP STRG BALL	RACE UP STRG BALL	1	
	50302	50302-2H68-011	2	RACE STRG BOT BALL	RACE STRG BOT BALL	1	
	50350	50350-LEJ2-E10	1	HANGER ASSY ENG.	HANGER ASSY ENG.	1	
	50613	50613-LEJ2-E10	0	COVER UNDER	COVER UNDER	1	
	50711	50711-LEJ2-E10	2	"STEP R,RR STEP"	"STEP R,RR STEP"	1	
	50712	50712-LEJ2-E10	3	"STEP L,RR STEP"	"STEP L,RR STEP"	1	
	5071A	5071A-LEJ2-E10	0	BAR STEP R ASSY	BAR STEP R ASSY	1	
	5071B	5071B-LEJ2-E10	0	BAR STEP L ASSY	BAR STEP L ASSY	1	
	90105	90105-LEJ2-E10	0	SQUARE BOLT	SQUARE BOLT	1	
	90106-KFAF	90106-KFAF-900	2	BOLT SPECIAL	BOLT SPECIAL	2	
	90106-KUDU	90106-KUDU-900	1	BOLT WASH 8*26	BOLT WASH 8*26	2	
	90304	90304-GHE8-004	0	NUT U 10MM	NUT U 10MM	3	
	93404-06012	93404-06012-07	0	BOLT WASH 6*12	BOLT WASH 6*12	4	
	94050-06080	94050-06080	0	NUT FLANGE 6MM	NUT FLANGE 6MM	2	
	94101-10800	94101-10800	0	WASHER PLAIN 10MM	WASHER PLAIN 10MM	1	
	95801-10070	95801-10070-08	0	BOLT FLANGE 10*70	BOLT FLANGE 10*70	2	
	96001-06032	96001-06032-08	0	BOLT FLANGE SH 6*32	BOLT FLANGE SH 6*32	4	

F21

Air Cleaner Two

95002



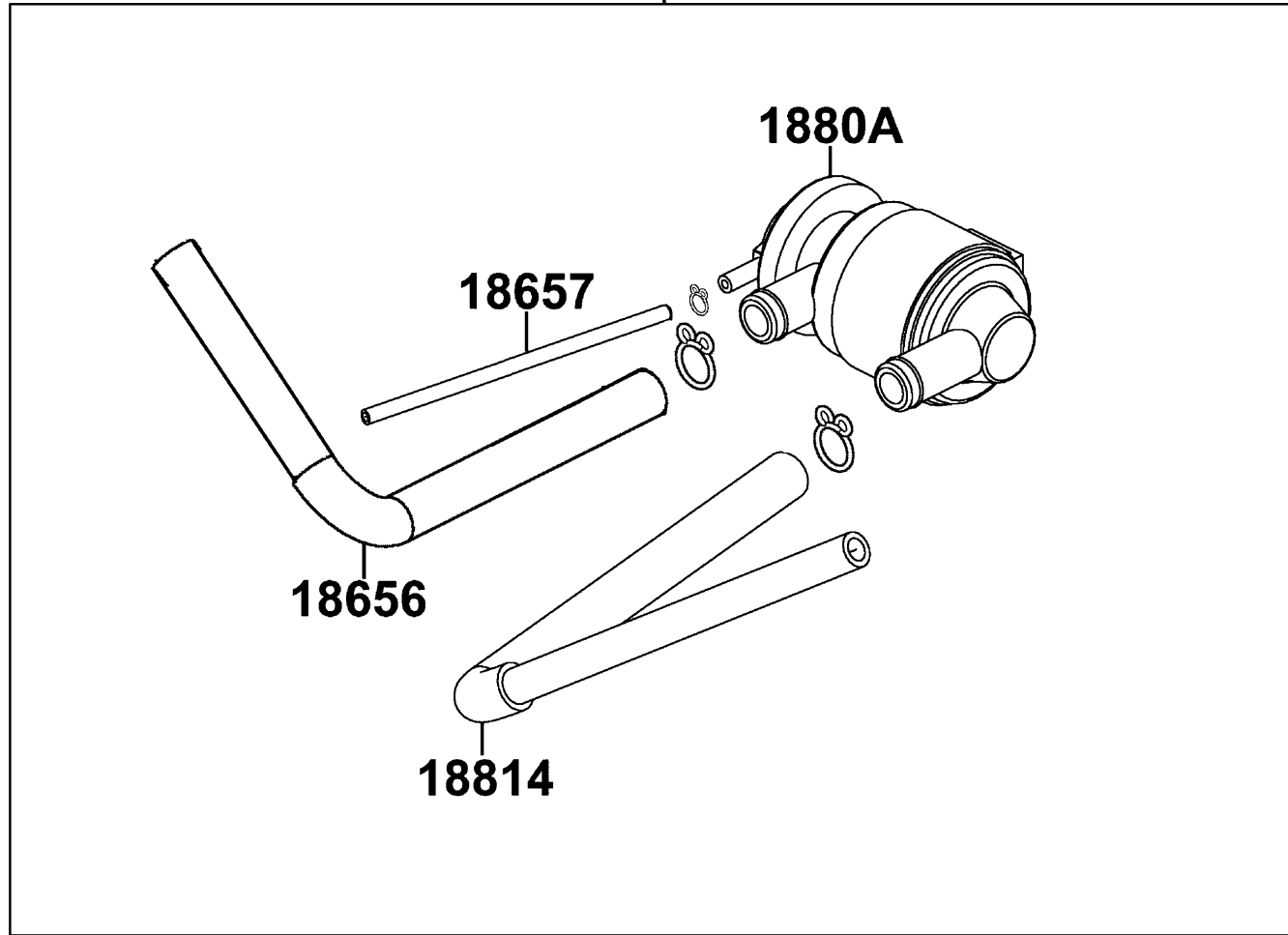
1880B

1880A

18657

18656

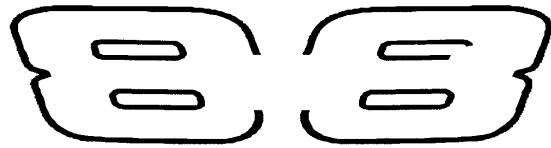
18814



Sales mark	Ref no	Part no	Ver	Description	Reg description	Regd no	F21
	18656	18656-LEJ2-E10	0	TUBE AICV-REED VALVE	TUBE AICV-REED VALVE	1	
	18657	18657-LEJ2-E10	0	TUBE ASSY INLET PIPE AICV	TUBE ASSY INLET PIPE AICV	1	
	1880A	1880A-LEJ2-E10	0	AI/CAICV ASSY	AI/CAICV ASSY	1	
	1880B	1880B-LEJ2-E10	0	AI/C-AICV SET	AI/C-AICV SET	1	
	18814	18814-LEJ2-E10	0	DUCTAIR-AICV	DUCTAIR-AICV	1	
	95002	95002-KKD6-E05	0	CLAMP D18 TUBE	CLAMP D18 TUBE	1	

F22

Emblem Stripe



86221

86231



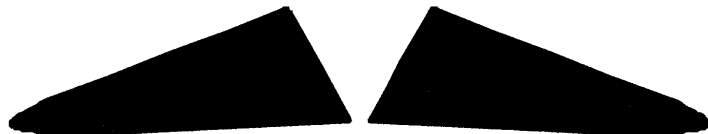
86282

86283



86284

86286

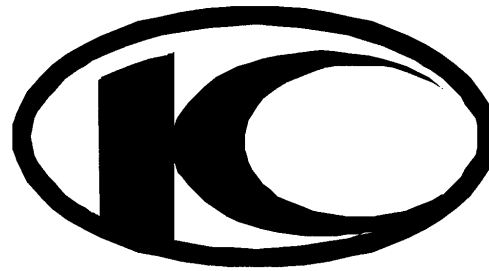


86285

86287



86201



86102



87140



87556

CAUTIONS

Before starting the engine, the side stand shall be kicked up to secure safety.

87541

<ul style="list-style-type: none"> Do not wear a safety helmet when riding, or do not exceed the speed specified by the owner's manual. The exhaust muffler temperature is very high after riding. Be sure to park the motorcycle in a place not easily touched by people. For riding safety and good performance, do not tamper with the bar to modify the motorcycle. 	<ul style="list-style-type: none"> Make sure to perform the periodic maintenance and periodic inspection. <p>Periodic Inspection Items</p> <p>Brake Performance, tires, engine oil level, lights, horn, and instrument panel.</p> <p>KWANG YANG MOTOR CO., LTD.</p>
--	---

87560

CAUTIONS

Never put any article between the rear side cover and the engine to avoid interference of riding.

CMS-300

87542

CAUTIONS

Tire Size	: Front 100/80-14	Rear 120/80-14
(One Rider)	: Front 1.5 kgf/cm ²	Rear 1.75kgf/cm ²
(Two Rider)	: Front 2.0 kgf/cm ²	Rear 2.25kgf/cm ²
Load Capacity	: Shield 1.5kg	Clip assy center 3kg
(As per KYMCO standard specification)		
(Note: The tire pressure must not overpass 2.3 kgf/cm ²)		

• Check the motor oil level with the dipstick after refilling motor oil.

LCB3-E000

87505

TRADE NAME: KYMCO	1. KYMCO 1688 63
VEHICLE CATEGORY: B	2. 1E6G-III
⑤	3. DC 32-1
④	4. 124CM
③	5. B LCAZ III
②	6. J125
①	7. _____
⑩	8. KYMCO 1E6B-III 1688
⑨	9. 141-7510
⑧	10. 361-428
⑦	11. MCC-01-0019
	12. 25.16mm 8 LCAZ

87224

Sales mark	Ref no	Part no	Ver	Description	Reg description	Regd no	F22
**	86102	86102-LHB3-E00	2	MARK KYMCO	MARK KYMCO	2	
**	86201	86201-LHB3-E00	0	STRIPE BODY COVER	STRIPE BODY COVER	2	
**	86221	86221-LHB3-E00	0	STRIPE R BODY COVER	STRIPE R BODY COVER	1	
**	86231	86231-LHB3-E00	0	STRIPE L BODY COVER	STRIPE L BODY COVER	1	
**	86282	86282-LHB3-E00	0	STRIPE R FR COVER	STRIPE R FR COVER	1	
**	86283	86283-LHB3-E00	0	STRIPE L FR MOLD	STRIPE L FR MOLD	1	
**	86284	86284-LHB3-E00	0	STRIPE B R SIDE MOLD	STRIPE B R SIDE MOLD	1	
**	86285	86285-LHB3-E00	0	STRIPE C L SIDE MOLD	STRIPE C L SIDE MOLD	1	
**	86286	86286-LHB3-E00	0	STRIPE B L SIDE MOLD	STRIPE B L SIDE MOLD	1	
**	86287	86287-LHB3-E00	0	STRIPE C L SIDE MOLD	STRIPE C L SIDE MOLD	1	
**	87140	87140-LEJ2-E00	0	STRIPE MARK 50	STRIPE MARK 50	2	
	87224	87224-LEJ2-E80	0	CAUTION ANTI TAMPERING	CAUTION ANTI TAMPERING	1	
	87505	87505-LEJ2-E01	1	LABEL TIRE	LABEL TIRE	1	
**	87541	87541-GAR1-E01	1	MARK SIDE STAND	MARK SIDE STAND	1	
**	87542	87542-GAR1-E01	2	MARK MAINT CAUTION	MARK MAINT CAUTION	1	
**	87556	87556-LHB3-E00	0	STRIPE GRAB RR	STRIPE GRAB RR	2	
**	87560	87560-GFY6-E01	3	MARK DRIVE CAUTION	MARK DRIVE CAUTION	1	

PART NO. INDEX

PART NO.	VERSION	PAGE	PART NO.	VERSION	PAGE	PART NO.	VERSION	PAGE	
11000			12200-LBD6-405	0	E02	1453A-GFY6-W10	0	E03	
			12209-GDB4-6820-M1	0	E02	14550-LDC8-C10	0	E03	
			12211-KGBG-9000-M1	2	E02	14555-KKJ9-C10	0	E03	
	11100-LBD6-E00	2	E01	12251-KGBG-900	0	E02	14610-KGBG-9000	0	E03
	11102-1G87-0040	1	E01	12310-KHC5-900	0	E02	14711-KGBG-9000	0	E02
	11192-KGBG-C10	0	E01	1231A-KHC5-900	3	E02	14721-KGBG-9000	0	E02
	11200-LCD2-E00	9	E01	12361-GFY6-9010	1	E04	14751-GEN5-9000	0	E02
	11203-GGC7-W10	2	E01	12391-KEE1-900	0	E02	14771-GDB4-6800	0	E02
	11203-GGC7-W10	2	F16				14775-MEA6-0010	1	E02
	11208-LEJ2-E10	0	E07	13000			14781-MFA6-0010	1	E02
	11211-LCD2-E00	1	F13				15000		
	11230-KFBF-900	0	F16	13000-KGBG-900	6	E03			
	11330-LBD6-E00	3	E04	13011-KGBG-9010	1	E03			
	11340-LEJ2-E10	0	E01	13101-LCB9-B20	2	E03	15100-KGBG-9000	3	E06
	11381-LBC9-900	2	E01	13111-KGBG-900	1	E03	15133-LDC8-C10	0	E06
	11382-KHB4-900	2	F03	13115-0A01-001	1	E03	15421-1G07-W10	0	E04
	11382-LCD2-E00	1	E01				15426-GAE1-921	1	E04
11385-GFY6-9010	1	E07	14000			15651-GFY6-9010	1	E04	
11394-KGBG-980	0	E04				1565A-GFY6-900	0	E04	
11395-LCD2-E00	2	E01	14100-KGBG-9000	4	E02				
12000			14401-KGBG-9000	0	E03	16000			
			14431-KGBG-W10	0	E02				
			14450-KGBG-W10	0	E02	16100-LEJ2-E10	4	E09	
	12100-KGBG-900	3	E03	14452-KGBG-W10	0	E02	1621A-KGBG-900	2	E02
	12191-KGBG-980	0	E03	14510-KGBG-9000	0	E03	1691A-LEJ2-E10	0	F10
	12200-KGBG-9100	7	E02	14531-GLRO-W10	0	E03	16950-LCA3-B50	0	F10

PART NO. INDEX

PART NO.	VERSION	PAGE	PART NO.	VERSION	PAGE	PART NO.	VERSION	PAGE	
17000			18294-KEBE-900	0	F14	21395-LCD2-E00	3	E08	
			18306-LEJ2-E10	3	F14	22000			
			1830A-LEJ2-E10	0	F14				
			18318-LEJ2-E10	0	F14				
	1711A-LEJ2-E10	0	E02	18325-LCD2-E00	3	F14	22100-LDC8-E10	0	E05
	17200-LEJ2-E10	3	F13	18646-GFY6-C10	1	E02	22102-LDC8-E10	0	E05
	17211-LAB4-900	1	F13	18647-GFY6-941	0	E02	22103-KEB7-900	0	E05
	17215-LAB4-900	1	F13	18656-LEJ2-E10	0	F21	22105-LEJ2-E10	0	E05
	17215-LCD2-E00	2	F13	18657-LEJ2-E10	0	F21	22110-KFA1-2200	0	E05
	17217-LCD2-E00	3	F13	1880A-LEJ2-E10	0	F21	22121-LBD6-E00	2	E05
	1723A-LCD2-E00	3	F13	1880B-LEJ2-E10	0	F21	22131-GHAH-7810	0	E05
	1723B-LCD2-E00	3	F13	18814-LEJ2-E10	0	F21	22132-GLW0-0010	2	E05
	17254-KACA-P00	0	F13	19000			22300-LDC8-E10	1	E05
	17255-KGBG-900	1	F13				22350-GKAK-930	1	E05
	17256-KGBG-900	0	E02				22401-LDC8-E10	0	E05
	17370-4K19-670	0	F13				22535-GKAK-930	1	E05
	17500-LEJ2-E10	5	F10	19410-LEJ2-E10	0	F20	22804-1H48-001	0	E05
17620-LBA8-C000	0	F10	19411-KNBN-900	1	F20	23000			
17683-LEJ2-E10	0	F10	19510-LDC5-900	1	E07				
17684-LEJ2-E10	0	F10	1961A-KGBG-E01	0	E07				
17910-LCD2-E00	2	F03	19625-KEE1-9000	0	E07				
18000			1962A-KEE1-900	1	E07		23010-LDC8-E10	0	E05
			1963A-LDC8-E10	1	E07		2301A-LDC8-E10	1	E05
							23100-KEB7-900	0	E05
18291-GGA7-001	1	F14	21000			23200-GAR1-220	1	E05	
18291-KEBE-900	0	F14				23210-GAR1-220	0	E05	
18292-KEBE-900	0	F14		21200-LCD2-E00	4	E08	23220-LDC8-E10	0	E05

PART NO. INDEX

PART NO.	VERSION	PAGE	PART NO.	VERSION	PAGE	PART NO.	VERSION	PAGE
23225-GAR1-7510	0	E05						
23233-KEE1-900	0	E05	31000			34000		
23237-GAR1-220	0	E05						
23238-GGS7-0110	0	E05	31100-LEJ2-E10	2	E07	34901-KFA6-900	0	F01
23411-LCD2-E00	1	E08	31110-LBD6-E0A	1	E07	34903-KPCP-900	0	F01
23420-LCD2-E00	3	E08	31120-LEJ2-E10	2	E07			
23431-LEJ2-E10	0	E08	31200-LEJ2-E10	0	E06	35000		
23432-LCD2-E00	3	E08	31209-KEE1-9000	2	E06			
28000			31500-GFY6-9410	3	F11	35010-LEJ2-E10	0	F19
			31600-LEJ3-E10	2	F19	35151-KGBG-910	1	F03
			32000			35152-KGBG-900	2	F03
28211-LDC8-W10	0	E05				3515A-KGBG-E00	3	F03
2823A-LBD6-E00	1	E01				35201-KGBG-910	1	F03
28250-LEJ2-E10	1	E01	32100-LEJ2-E10	3	F19	35202-KGBG-900	3	F03
28253-GBN2-6020	0	E01	32101-GFY6-901	1	F04	3520A-KGBG-E00	3	F03
28255-GFS6-001	0	E01	33000			35340-KKJ9-0100	4	F03
28281-GBN2-6030	1	E01				35340-KNBN-901	0	F04
28300-KNBN-901	3	F15				35400-LEJ2-E10	0	F19
30000			33100-LHB3-E10	0	F01	37000		
			33102-LEJ2-E10	0	F01			
			33400-LEJ2-E10	0	F17			
30410-LEJ2-E10	2	F19	33450-LEJ2-E10	0	F17	37200-LEJ2-E10	0	F02
3051A-LEJ2-E10	0	F19	33700-LEJ2-E10	0	F18	37211-LEJ2-E0B	0	F02
			33720-LEJ2-E10	0	F18	37224-LEJ2-E10	2	F02
			33730-LDC8-M30	0	F06	37802-GGA7-7010	0	F10
			33741-KEBE-900	0	F18	3780A-LEJ2-E10	0	F10

PART NO. INDEX

PART NO.	VERSION	PAGE	PART NO.	VERSION	PAGE	PART NO.	VERSION	PAGE
38000			44000			50000		
38110-KGC4-B50	1	F19	44301-LEJ2-E10	1	F07	50100-LEJ2-E10	3	F20
38300-KECE-9000	2	F19	44311-0F46-0010	1	F07	50301-KGN7-6710	2	F20
38500-KKDK-9000	5	F19	44600-LEJ3-E10	0	F07	50302-2H68-011	2	F20
3860A-LCD3-E02	1	F19	44601-LEJ3-E10	0	F07	50306-1F96-0010	0	F06
			44620-KFLF-9300	1	F07	50326-LEJ2-E10	0	F12
42000			44680-4L10-0010	1	F07	50350-LEJ2-E10	1	F20
42311-LEJ2-E10	0	F16	44710-LEJ3-E10	0	F07	50500-LEJ2-E10	1	F15
42312-KHB4-900	0	F16	44800-KFA6-900	0	F07	50505-LEJ2-E10	0	F15
42600-LEJ3-E10	0	F08	44830-LCD3-E00	4	F02	50530-LEJ2-E10	0	F15
42601-LEJ2-E10	0	F08	45000			50531-KEB7-E00	1	F15
42710-LEJ3-E10	0	F08				50535-KEB7-W10	3	F15
			45105-LEJ2-305	0	F04	50550-KFA6-E00	0	F15
43000			45121-LEJ2-E10	0	F07	50613-LEJ2-E10	0	F20
4312A-KUDU-900	4	F08	45126-LDC8-E10	2	F04	50711-LEJ2-E10	2	F20
4314A-LCD3-E00	2	F08	45156-KHC5-E10	0	F06	50712-LEJ2-E10	3	F20
43151-KGM7-9600	1	F08	45156-LCB9-B20	0	F06	5071A-LEJ2-E10	0	F20
43410-KFA6-900	1	F08	45200-LEJ2-E1A	0	F04	5071B-LEJ2-E10	0	F20
43450-LEJ2-E10	0	F03	45500-LDC8-E10	1	F04	51000		
43472-KHG8-001	1	F08	4550B-LEJ2-E10	0	F04	51400-LEJ2-E10	0	F06
			45517-GFY6-9000	5	F03	51400-LEJ2-E10	1	F06
						51400-LEJ2-E10	2	F06

PART NO. INDEX

PART NO.	VERSION	PAGE	PART NO.	VERSION	PAGE	PART NO.	VERSION	PAGE
51500-LEJ2-E10	0	F06	53211-GFY6-9400	1	F06	64308-LEJ2-E10	0	F05
51500-LEJ2-E10	1	F06	53212-2L50-011	1	F06	64309-LEJ2-E10	0	F05
51500-LEJ2-E10	2	F06	53214-2L50-001	2	F06	64310-LEJ2-E10	0	F05
52000			53215-2L50-001	1	F06	64313-LEJ2-E10	0	F05
			61000			64316-LCB9-C10	0	F05
52000-LEJ2-E10	3	F16				64316-LCB9-C10	0	F12
52400-LEJ2-E10	2	F16	61100-LEJ2-E10	0	F06	64323-LEJ2-E10	0	F05
53000			61110-LDC8-E90	0	F06	64400-LEJ2-E10	0	F05
			61112-LDC8-E90	0	F06	77000		
			6111A-LDC8-E90	0	F06			
53100-LEJ2-E10	3	F03			77200-LEJ2-E10		0	F09
53102-KEC8-900	0	F03	64000			77232-KCAC-9010	2	F12
53105-LBB5-E00	2	F03				77235-KGC4-E0B	2	F19
53125-GEN5-901	1	F03	64206-MLJ0-001	1	F06	77239-GFY6-9010	0	F19
53140-LEJ2-E10	0	F03	64210-LEJ2-E10	0	F03	77240-KGC4-E00	5	F19
53166-LEJ2-E10	0	F03	64214-LEJ2-E10	0	F03	80000		
53172-KTCT-900	0	F03	64215-LEJ2-E10	0	F03			
53175-LDC8-E10	1	F04	64224-LEJ2-E10	0	F03			
53178-LCD1-E00	3	F03	64225-LEJ2-E10	0	F03		80100-KEB7-900	0
5317B-LCD1-E00	2	F03	64301-LEJ2-E10	1	F05	80100-LEJ2-E10	0	F18
53200-LEJ2-E10	0	F06	64302-LEJ2-E10	0	F05	80101-LEJ2-E10	0	F18
53205-LEJ2-E10	0	F03	64303-LEJ2-E10	0	F05	80102-LCD2-E00	1	F18
53205-LEJ2-E10	4	F03	64305-LEJ2-E10	0	F05	80105-LEJ2-E10	0	F18
53205-LEJ2-E10	5	F03	64306-LEJ2-E10	0	F05	80109-KEB7-900	0	F18
53206-LEJ2-E10	0	F03	64307-LEJ2-E10	0	F05	8010A-LEJ2-E10	0	F18

PART NO. INDEX

PART NO.	VERSION	PAGE	PART NO.	VERSION	PAGE	PART NO.	VERSION	PAGE
80151-LEJ2-E10	0	F12						
81000			86000			88000		
			86102-LHB3-E00	0	F22	88110-LEB5-C10	1	F03
81131-LEJ2-E10	0	F05	86102-LHB3-E00	2	F22	88120-LEB5-C10	1	F03
81132-LCB9-C10	0	F05	86201-LHB3-E00	0	F22			
81132-LEJ2-E10	0	F05	86221-LHB3-E00	0	F22	89000		
81133-KGBG-9000	0	F05	86231-LHB3-E00	0	F22			
81134-KGBG-9000	2	F05	86282-LHB3-E00	0	F22	89010-KGBG-9000	0	F09
81200-LEJ2-E10	0	F12	86283-LHB3-E00	0	F22	89020-KKC4-900	1	F09
81250-LEJ3-E10	0	F12	86284-LHB3-E00	0	F22			
81251-LEJ3-E10	0	F12	86285-LHB3-E00	0	F22	90000		
83000			86286-LHB3-E00	0	F22			
			86287-LHB3-E00	0	F22	9000A-KTDT-900	1	E01
			87000			90012-3C33-0010	1	E02
83500-LEJ2-E10	0	F12				90031-KGBG-9010	0	E01
83510-LEJ2-E10	0	F12				90032-KGBG-9010	0	E01
83520-LEJ2-E10	0	F12	87140-LEJ2-E00	0	F22	90033-041-0210	1	E02
83550-KEC8-900	2	F03	87224-LEJ2-E80	0	F22	90033-GFY6-941	0	E02
83551-KEC8-C10	0	F03	87505-LEJ2-E01	1	F22	90102-GLE0-001	0	F15
83600-LEJ2-E10	0	F12	87541-GAR1-E01	1	F22	90105-KCR3-001	1	F07
83610-LEJ2-E10	0	F12	87542-GAR1-E01	2	F22	90105-LEJ2-E10	0	F20
83620-LEJ2-E10	0	F12	87556-LHB3-E00	0	F22	90106-GEN5-901	1	F03
83750-LEJ2-E10	0	F12	87560-GFY6-E01	3	F22	90106-KFAF-900	2	F20
						90106-KFC2-900	0	F03
						90106-KUDU-900	1	F20

PART NO. INDEX

PART NO.	VERSION	PAGE	PART NO.	VERSION	PAGE	PART NO.	VERSION	PAGE
90108-KFA6-E00	1	F15	90426-KNBN-901	0	E05	91051-KBF-9000	1	F16
90110-GLW0-001	0	F05	90442-0D44-001	0	E05	91103-GAR1-004	0	E05
90110-KEB7-900	1	F06	90442-GFF6-011	0	E02	91201-GFY6-9030	0	E01
90111-1G87-00A	1	F12	90451-GBN2-601	0	E01	91201-KGBG-9000-M1	0	E04
90112-KRDR-900	0	F19	90454-GBB2-001	0	E05	91204-KBN-9010-M1	1	E01
90131-GLWO-9110	0	F04	90474-3C33-001	1	E01	91211-KEE1-900	0	E05
90145-961-011	1	F04	90501-KNBN-901	0	F08	91252-0L30-0000-M2	4	F07
90202-1G87-001	0	E05	9052A-GFY6-9500	1	E01	91255-LDC8-E10	4	E08
90202-GFF6-011	0	E02	90545-3L00-001	2	F04	91258-4L10-0000-M2	7	F07
90206-0A01-0010	1	E02	90656-KUDU-900	0	F19	91259-KFBF-9000	0	F16
90301-4C73-0040	4	F15	90668-LEJ2-E10	0	F06	91301-GLRO-W10	0	E03
90301-KGBG-900	1	F14	90683-GAR1-0040	4	F05	91301-KEE1-900	0	E05
90302-GFY6-901	1	F03	90683-GAR1-0040	4	F18	91302-0A01-0210	0	E04
90302-GFY6-901	1	F06	90701-GFF6-001	1	E02	91302-KEE1-900	0	E05
90302-SDA4-004	1	F05	90701-GFF6-001	1	E03	91305-0H28-1590	0	E06
90302-SDA4-004	1	F12	90701-HDC4-001	1	E06	91307-0E35-W10	0	E04
90304-4H38-001	0	E02	90741-0E35-001	1	E03			
90304-GHE8-004	4	F03				92000		
90304-GHE8-004	4	F20	91000					
90305-GHK8-001	1	F03				92101-05012-0H	0	E07
90305-GHK8-001	1	F06	91001-GA7-7010-M1	1	E05	92900-06050-0B	1	E02
90305-GHK8-001	1	F12	91003-KDS4-0040	1	E08			
90305-KNBN-9030-M2	0	F08	91004-KBN-9210-M1	0	E01	93000		
90306-KLF0-004	4	F07	91009-GLE0-0040	1	E08			
90381-GEZ5-001	1	F12	91014-LLJ3-E00	1	F06	93404-06012-07	0	F05
90412-3K29-001	0	E01	91015-LLJ3-E00	1	F06	93404-06012-07	0	F18

PART NO. INDEX

PART NO.	VERSION	PAGE	PART NO.	VERSION	PAGE	PART NO.	VERSION	PAGE
93404-06012-07	0	F20	94050-06080	0	E06	95701-06025-08	0	E02
93404-06016-07	0	F12	94050-06080	0	F09	95701-06032-08	0	F08
93404-06020-07	0	F05	94050-06080	0	F20	95701-06035-08	0	F13
93404-06020-07	0	F18	94050-10080	0	E05	95701-06045-08	0	F13
93404-06022-07	0	F06	94050-10080	0	E07	95701-08012-08	0	E01
93903-25480	0	F13	94101-10800	0	F20	95701-08012-08	0	F19
93903-34220	0	F01	94301-08140	0	E01	95701-08028-08	0	F12
93903-34220	0	F17	94301-08140	0	E04	95701-08040-08	3	F12
93903-34280	0	F03	94301-10160	0	E08	95701-LDC8-E10	0	F19
93903-34380	0	F03	94510-20000	0	E08	95801-08035-08	0	F16
93903-34380	0	F05	94511-14000	0	E01	95801-08040-08	0	F06
93903-34380	0	F12	94520-24000	1	E05	95801-08075-07	0	F14
93903-34380	0	F18				95801-10035-08	0	F16
93903-35320	0	F01	95000			95801-10070-08	0	F20
93903-35320	0	F02				95801-LEJ2-E10	0	F14
93903-GFY6-900	2	F05	95002-KKD6-E05	0	F21			
93903-GFY6-900	2	F12	95003-23036-60	0	F13	96000		
93903-GFY6-900	2	F18	95012-LEJ2-E10	0	F11			
93904-35380	0	E07	95701-06012-08	0	F06	96001-06012-08	0	E01
			95701-06012-08	0	F10	96001-06012-08	0	E07
94000			95701-06012-08	0	F19	96001-06012-08	0	F18
			95701-06014-08	0	F19	96001-06016-08	0	E07
94001-12280-0S	0	E05	95701-06016-08	0	F19	96001-06016-08	0	F18
94050-05080	0	F06	95701-06020-08	0	F03	96001-06018-08	0	E03
94050-05080	0	F18	95701-06022-07	0	F15	96001-06020-08	0	E06
94050-06080	0	E02	95701-06025-07	0	F14	96001-06022-08	0	E07

PART NO. INDEX

PART NO.	VERSION	PAGE	PART NO.	VERSION	PAGE	PART NO.	VERSION	PAGE
96001-06025-08	0	E01						
96001-06025-08	0	E06						
96001-06025-08	0	E07						
96001-06032-08	0	F20						
96001-06035-08	0	E01						
96001-06045-08	0	E01						
96001-06085-06	0	E02						
96001-06085-06	0	E04						
96001-06100-08	0	E04						
96001-GFY6-900	0	F13						
96100-60020-00	0	E08						
96100-62020-00	0	E01						
96120-63010-10	0	F07						
96120-63030-10	0	E01						
98000								
98056-5771R-00	0	E02						
98200-10700	0	F11						