

COLOR COVERED: RED R8; BLACK BH;
MODEL: MATRIX50, EEC2, 2007VER

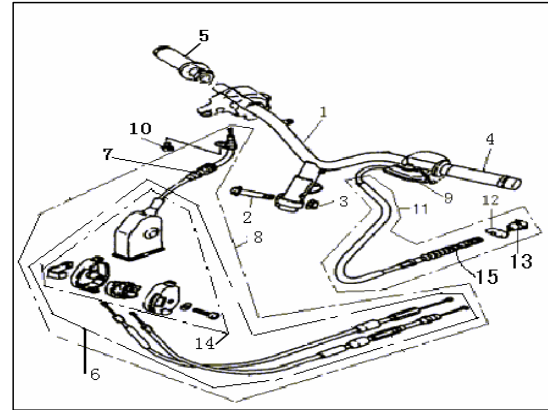
BEMÆRK stel nr kombination er TSYTABMQ17BXXXXXX

HVOR 17B ER MODELKODE



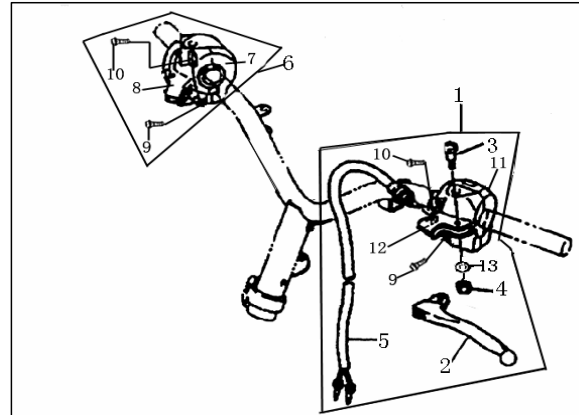
F01
STEERING

NO.	CODE	EN DESCRIPTION	QTY	NOTES
1	40100BMMT000	HANDLE COMP.	1	
2	B01091004565	BOLT M10X1.25X45	1	
3	B04171012565	U NUT M10X1.25	1	
4	40001BMBT000	L. GRIP	1	
5	40210BMBT000	GRIP ASSY.	1	
6	40330BM0T000	CABLEASSY.THROTTLE 2	1	
7	40306BM0T000	CABLE THROTTLE 1	1	
8	40300BM0T001	CABLE ASSY.,THROTTLE	1	
9	40008BM0T000	JACKET,RR. BRAKE CABLE	1	
10	B02000501025	PAN HEAD SCREW M5X10	1	
11	40270BMBT000	BRAKE CABLE ASSY.	1	
12	40273BM0T000	PIN,STOP	1	
13	40271BM0T000	NUT,ADJUSTING	1	
14	40340BM0T001	JUNCTION BOX	1	
15	40274BMBT000	SPRING	1	



F02**LEVER/HANDLE SWITCH**

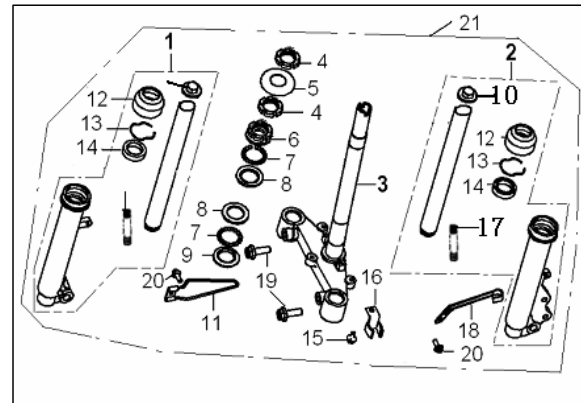
NO.	CODE	DESCRIPTION	QTY.
1	40500BM0T002	LEFT HANDLE SWITCH ASSY.	1
2	40002BMBT000	LEFT LEVER	1
3	40004BMAT000	LEVER MOUNTING SCREW	1
4	B04000500065	NUT M5	1
5	91700BMAT000	STOP SWITCH ASSY.	1
6	40600BM0T000	RIGHT HANDLE SWITCH ASSY.	1
7	40610BM0T000	RIGHT HANDLE SWITCH	1
8	40620BM0T000	R. SWITCH FIXING SEAT	1
9	B02000502025	PAN HEAD SCREW M5X20	2
10	B02000502525	PAN HEAD SCREW M5X25	2
11	40510BM0T000	LEFT HANDLE SWITCH	1
12	40520BM0T000	L. SWITCH FIXING SEAT	1
13	B07000000505	SPRING WASHER 5	1



F03

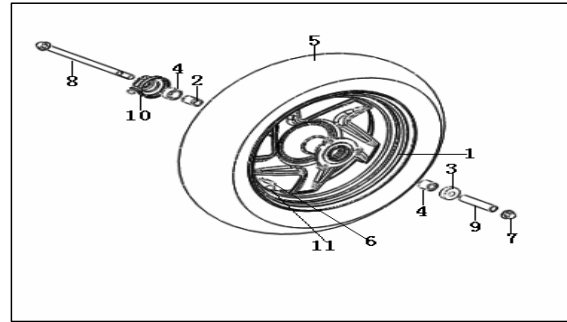
FRONT FORK

NO.	CODE	DESCRIPTION	QTY.
1	43300BMBT001	FR.R. FORK ASSY.	1
2	43200BMBT001	FR. L. FORK ASS'Y.	1
3	43100BMBT003	STEM, STEERING	1
4	43008BMBT000	NUT II	2
5	43005BMBT001	BALL RACE COVER	1
6	43001BMBT002	BALL RACE, CONNECTING	1
7	B06010150000	STEEL BALLφ5	42
8	43003BMBT000	BALL RACE	2
9	43004BMBT000	BALL RACE	1
10	43204BMBT001	CAP BOLT	2
11	43150BMBT000	CLIP, SPEEDOMETER CABLE	1
12	43290K00P000	DUST SEAL	2
13	43207K00P000	CLIP	2
14	43260K00P000	OIL SEAL	2
15	B01090601265	BOLT M6 x 12	1
16	43035BMBT000	HOLDER, BRAKE HOSE 2	1
17	43202BMBT001	SPRING	2
18	43021BMBT003	HOLDER, BRAKE HOSE 1	1
19	B01091003065	BOLT M10X1.25X30	2
20	B01070601665	BOLT M6X16	2
21	43000BMMT000	FRONT FORK ASSY.	1



F04**FRONT WHEEL**

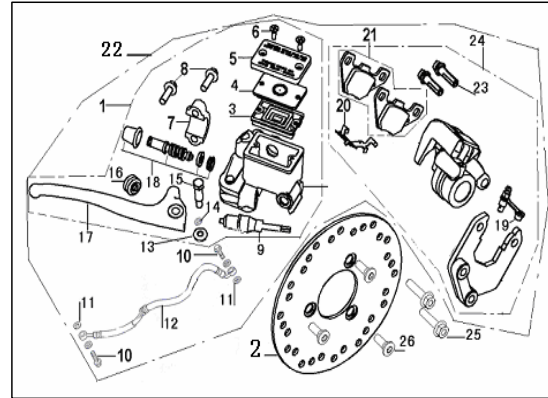
NO.	CODE	DESCRIPTION	QTY.	
1	44100BM0TR8A	FR. RIM COMP. 3.5X12"(RED R8)	1	for Red R8 vehicle
1	44100BM0TBHA	FR. RIM COMP. 3.5X12"(BLACK BH)	1	for Black BH vehicle
2	44600BM0T910	DISTANCE COLLAR COMP.	1	
3	44300BM0T000	OIL SEAL 22X35X7	1	
4	B12016020100	BALL BEARING 6201-2RS	2	
5	B140107D12AB	TIRE 120/70-12(E MARK)	1	
6	B1403Z201100	RIM VALVE Z2-01-1	1	
7	B04171212563	U NUT M12X1.25	1	
8	44004G4CT000	FR. WHEEL AXLE M12X1.25X224	1	
9	44005BM0T000	COLLAR	1	
	44200BM0TR80	SPEEDOMETER GEAR COMP.(45KM) RED R8		
	44200BM0TBH0	SPEEDOMETER GEAR COMP.(45KM) BLACK BH		
11	B1404Z2011C0	CAP, VALVE	1	



F05

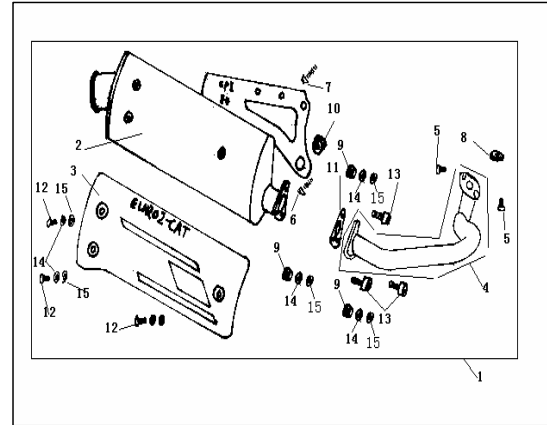
FRONT DISK BRAKE

NO.	CODE	DESCRIPTION	QTY
1	45400BMMTB30	CYLINDER COMP.(BLACK)	1
2	45033BM0T001	BRAKE DISC(Round,old type)	1
2	45033BMBT001	BRAKE DISC(flower/undee type)	1
3	45011J1DT000	RESERVOIR DIAPHRAGM	1
4	45013J1DT000	WASHER, CYLINDER	1
5	45012BMBT000	RESERVOIR CAP	1
6	B02010401025	FLAT HEAD SCREW M4X10	2
7	45023J1DT000	MASTER CYLINDER BRACKET	1
8	B01070602365	BOLT M6X23	2
9	45300J3AT000	STOP SWITCH ASSY.	1
10	45037J00P000	UNION BOLT	2
11	45029J00P000	PLATE WASHER	4
12	45200BMBT000	FR. BRAKE HOSE	1
13	B04160600065	NUT M6	1
14	B07000000605	SPRING WASHER 6	1
15	45024J1CT000	BOLT M6	1
16	45057G0KP000	TENSION SPRING,LEVER	1
17	45022BMBT001	DISC BRAKE LEVER	1
18	45140J00P000	PISTON ASSY.	1
19	45021J00P000	BREED SCREW CAP	1
20	45017G0CP000	PAD SUPPORT	1
21	45110J4FT000	BRAKE PAD KIT	1pair
22	45000BMMTRN0	DISC BRAKE ASSY.,FR.(UP BLACK, DOWN RED)	1
23	45053G0CP000	GUIDE POLE	2
24	45500J4FTRN0	CALIPER ASSY. (RED)	1
25	45039J4FT000	BOLT M8X36	2
26	45036JJ0T000	BOLT	3



F06/1 (45KM) MUFFLER

NO.	CODE	DESCRIPTION	QTY	
1	47000BMBT00D	MUFFLER ASSY.	1	with catalyzer; stainless canister
2	47200BMBT006	MUFFLER CANISTER COMP.	1	with catalyzer; stainless canister
3	47023BMBT000	MUFFLER.COVER, DECORATION	1	
4	47500BMBT000	EXHAUST PIPE COMP.(45km)	1	45km/h
5	B01090601665	BOLT M6X16	2	
6	B01090803565	BOLT M8X35	1	
7	B01090802065	BOLT M8X20	1	
8	47800B00T000	GROMMET, EXHAUST PIPE	1	
9	B04000600060	NUT M6	3	
10	47740B0ET000	WASHER ASSY., FIXING	1	
11	47490BMBT000	GASKET, FLANGE	1	
12	B02000601060	SCREW M6X10	3	
13	B02050602560	SCREW M6X25	3	
14	B07000000600	SPRING WASHER 6	6	
15	B07030000600	WASHER 6	6	
tuning parts	47500BMBT002	EXHAUST PIPE COMP(58km)	1	58km/h
	47490BMBT000	GASKET, FLANGE	1	
	47800B00T000	GROMMET, EXHAUST PIPE	1	



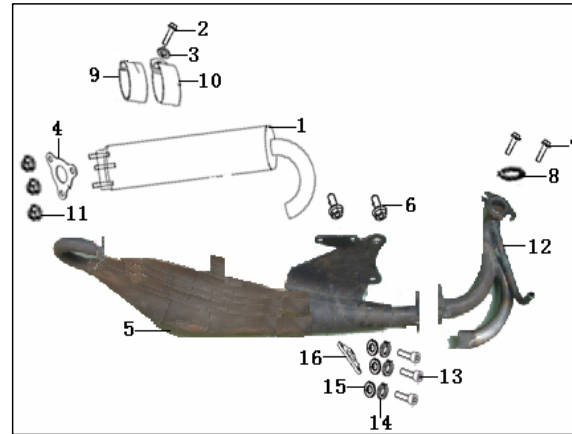
45

Attention The Page For 45km Edition

F06/2
SPORTY MUFFLER

NO	CODE		QTY
1	48300BM0T000	MUFFLER ASSY.	1
2	B01070601664	BOLT 6X16MM	1
3	B07000000604	WASHER 6MM	1
4	47490BM0T000	CUSHION	1
5	47200BMMT004	MUFFLER ASSY.	1
6	B01090801665	BOLT 8X16MM	2
7	B01090601665	BOLT 6X16MM	2
8	47800B0DT000	GASKET, EXHAUST PIPE	1
9	47833B2GT005	ADIABATIC RUBBER	1
10	48831B2GT005	MUFFLER HOOP	1
11	B04070600064	NUT 6MM	3
12	47500BM0T004	EXHAUST PIPE COMP. □45km□	1
13	B02050602560	SCREW M6X25	3
14	B07000000600	SPRING WASHER 6	3
15	B07030000600	WASHER 6	3
16	47490BMBT000	GASKET, FLANGE	1
	47500BMBT005	EXHAUST PIPE COMP	1
tuning parts	47490BMBT000	GASKET, FLANGE	1
	47800B00T000	GROMMET, EXHAUST PIPE	1

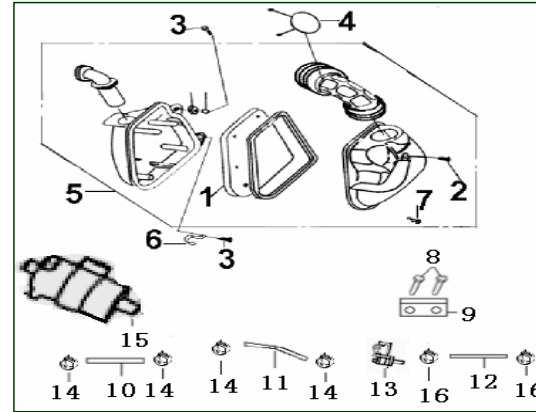
with catalyzer



58km/h

F07 AIR CLEANER

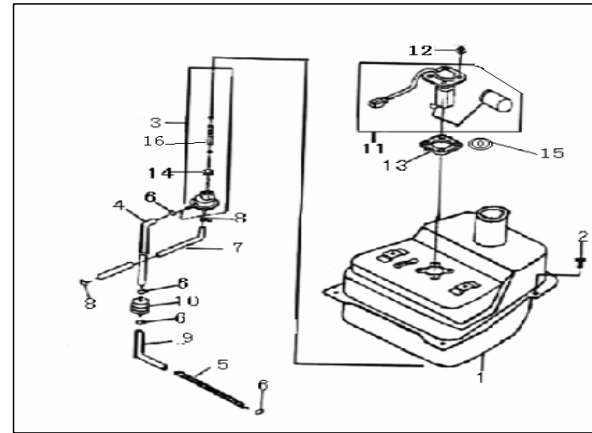
NO.	CODE	DESCRIPTION	QT
1	49200BMBT000	FILTER	1
2	B05074202005	TAPPING SCREW ST4.2X20	5
3	B01090602065	BOLT M6X20	2
4	49016BM0T000	CLIP 42.5	1
5	49000BMBT001	AIR CLEANER ASSY.	1
6	49371B0DT000	GUIDE, BRAKE CABLE	1
7	B05074201205	TAPPING SCREW ST4.2X12	4
8	B01090601265	SCREW 6×12MM	2
9	57051B2GT000	PLATE,ONE WAY VALVE	1
10	49853BMMT000	HOSE II 210MM	1
11	49852BMMT000	HOSE I 250MM	1
12	49851BMMT001	HOSE 260MM	1
13	49840B0ES000	ONE WAY VALVE II	1
14	49805BMBT000	SPRING □,LOCK φ17.5	4
15	49870B2GT000	AIR CLEANER,SMALL	1
16	49855B0ES000	SPRING □,LOCK φ16.5	2



F08

FUEL TANK

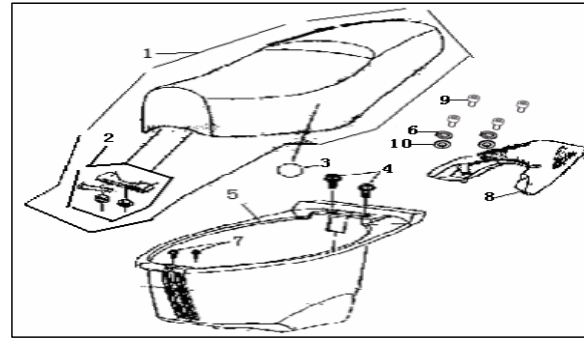
NO.	CODE	DESCRIPTION	QTY.
1	50100BMBT002	FUEL TANK COMP.	1
2	B01090601665	BOLT M6X16	4
3	50300BM0T000	FUEL COCK ASSY.	1
4	50301BM0T000	FUEL HOSE 1 , φ4.5×φ8.5×80	1
5	50316BMBT000	SPRING(BLACK)	1
6	50307BM0T000	CLIPφ8	4
7	50302BM0T000	VACUUM HOSE ,φ4×φ8×360	1
8	50306BM0T000	CLIPφ7	2
9	50303BM0T000	FUEL HOSE 2,φ4.5×φ8.5×250	1
10	50340J0ET000	FUEL FILTER ASSY.	1
11	50800BMBT000	SENDER UNIT	1
12	50801BM0T000	BOLT M5×16	4
13	50004BMBT000	SENDER UNIT GASKET	1
14	50312J0ET000	SEAL RING	1
15	B07020000505	WASHER 5	4
16	50352BM0T000	FUEL FILTER	1



F09
SEAT

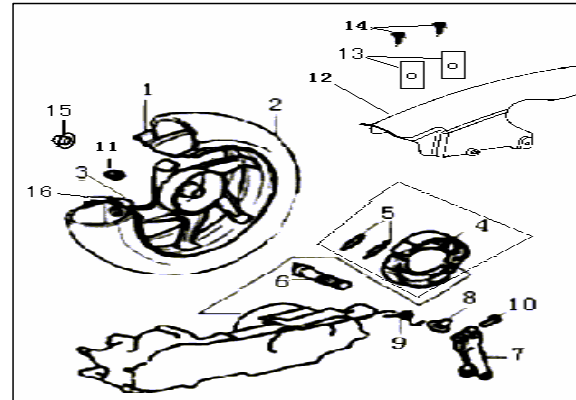
NO.	CODE	DESCRIPTION	QTY.
1	51100BMMT000	SEAT ASSY.	1
2	51080BMBT001	SEAT HINGE	1
3	08032BM0T000	O-RING 84.4X3.1	1
4	08011H60X000	BOLT M6X14	2
5	51004BMMT000	LUGGAGE BOX	1
6	B07030000805	WASHER 8MM	2
7	08017J4AT000	BOLT W/WASHER M6X20	2
8	52011BMKTR80	RR.. CARRIER COMP(RED R8)	1
8	52011BMKTBH0	RR.CARRIER COMP(BLACK BH)	1
9	B02050804565	SCREW M8X45	4
10	08027J4AT000	WASHER	2

for Red R8 vehicle
for Black BH vehicle



F10**REAR WHEEL**

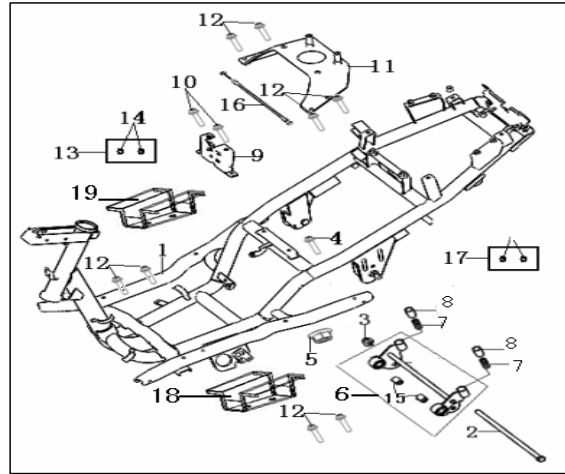
NO.	CODE	DESCRIPTION	QTY.	
1	54100BM0TBHA	RR .RIM COMP.3.5X12(BLACK BH)	1	for Black BH vehicle
1	54100BM0TR8A	RR .RIM COMP.3.5X12(RED R8)	1	for Red R8 vehicle
2	B140108D12BB	TIRE 130/70-12 (E MARK)	1	
3	B1403Z201100	RIM VALVE Z2-01-1	1	
4	54200BMBT000	BRAKE SHOE KIT	2	
5	54001BMBT000	SPRING BRAKE SHOE	2	
6	54003BM0T000	CAM SHAFT	1	
7	54007BM0T000	CAM SHAFT LEVER	1	
8	54002BM0T000	INDICATOR PLATE	1	
9	54008BMBT000	TENSION SPRING	1	
10	08012BM0T000	HEX. BOLT M6X30	1	
11	B04171601563	U NUT M16X1.5	1	
12	65701BMBT000	REAR FENDER	1	
13	65803J0ET000	SPRING NUT M6	2	
14	B01090602065	BOLT M6X20	2	
15	54027BM0T000	CAP	1	
16	B1404Z2011C0	CAP, VALVE	1	



F11

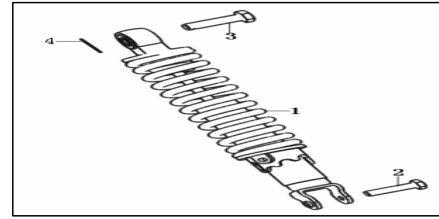
FRAME BODY

NO.	CODE	DESCRIPTION	QTY.
1	57100BMBT004	FRAME COMP.	1
2	58303BM0T000	E/G MOUNTING BOLT, M12X1.25X280	1
3	B04171212565	U NUT M12X1.25	1
4	58301BMBT000	E/G MOUNTING BOLT	2
5	B04171012565	U NUT M10X1.25	2
6	58360BMBT000	E/G BRKT COMP.	1
7	58302B0DT000	DAMPER	2
8	58304BMBT000	SPRING	2
9	58800BM0T000	SEAT CATCH COMP.	1
10	B01090602565	BOLT M6X25	2
11	57080BMKT000	CARRIER BRACKET	1
12	B01090601265	BOLT M6X12	8
13	57001BMMT004	FRAME BODY NO. PLATE(45km)	1
14	B100432007P0	RIVET3.2X7	2
15	58350BMMT000	BUFFER, ENGINE BRACKET	2
16	58900BMBT000	SEAT CABLE	1
17	57002BMBT014	ANTI-TAMPERING PLATE	1
18	57417BMMT000	FR.L.FLOOR BRACKET	1
19	57418BMMT000	FR.R.FLOOR BRACKET	1



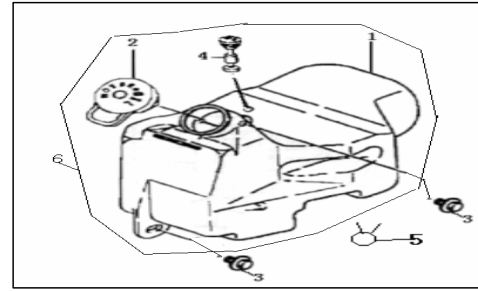
F12**REAR ABSORBER**

NO.	CODE	DESCRIPTION	QTY.	
1	63100BM0TBH0	RR. ABSORBER COMP., (BLACK BH)	1	for Black BH vehicle
1	63100BM0TR80	RR. ABSORBER COMP., (RED R8)	1	for Red R8 vehicle
2	63015J0ET000	FLANGE BOLT M8X31	1	
3	B01141004063	BOLT W/HOLE M10X1.25X40	1	
4	63016B0DT000	SPLIT PIN	1	



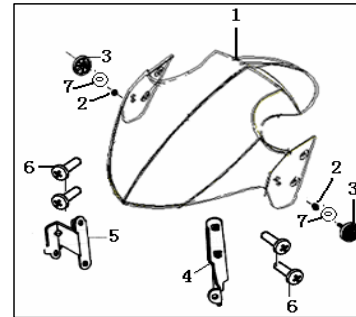
F13**OIL TANK**

NO.	CODE	DESCRIPTION	QTY.
1	64001BMAT000	OIL TANK	1
2	64090BMAT000	OIL TANK CAP	1
3	B01090601665	BOLT M6X16	2
4	64100BMAT000	OIL LEVER GAUGE ASSY.	1
5	50307BM0T000	CLIP ϕ 8	1
6	64000BMAT000	OIL TANK ASSY.	1



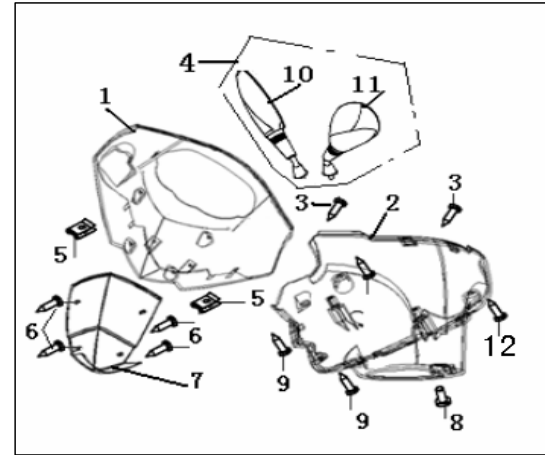
F14**FRONT FENDER**

NO.	CODE	DESCRIPTION	QTY.	
1	65101BMMTBH0	FRONT FENDER (BLACK BH)	1	for all color vehicle
2	B04000500063	NUT M5	2	
3	86300BMMT000	FRONT REFLECTOR 1 E11 020614	2	
4	65130B20T000	FRONT FENDER BRACKET, 1	1	
5	65140B20T000	FRONT FENDER BRACKET, 2	1	
6	65114BMBT000	SCREW W/WASHER M6X16	4	
7	B07030000503	WASHER 5	2	



F15**HANDLE COVER**

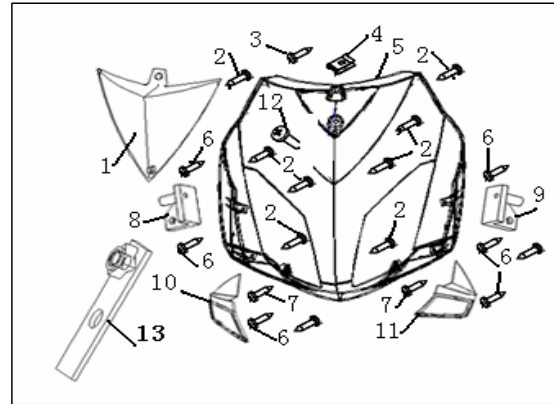
NO.	CODE	DESCRIPTION	QTY.	
1	65201BMMTBH0	HANDLE COVER,(BLACK BH)	1	for all color vehicle
2	65202BMMT000	HANDLE COVER	1	
3	B05074801305	TAPPING SCREW ST4.8X13	2	
4	40450BMBTB42	EAR VIEW MIRROR ASSY E-MARK	1	
5	65801BMAT000	SPRING NUT ST4	2	
6	B05074001005	TAPPING SCREW ST4X10	4	
7	65203BMMTBH0	METER VISION ASSY.(BLACK BH/SATIN-BLACK BA)	1	for all color vehicle
8	B02060501425	SCREW M5X14	1	
9	B05074201605	TAPPING SCREW ST4.2X16	2	
10	40470BMBT000	VIEW MIRROR R.E-MARK	1	
11	40460BMBT000	VIEW MIRROR L.E-MARK	1	
12	B05074001605	TAPPING SCREW ST4X16	2	



F16

FRONT COVER

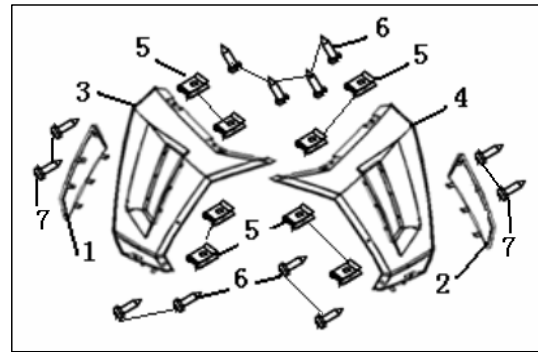
NO.	CODE	DESCRIPTION	QTY.	
1	65303BMMTBA0	COVER,(SATIN-BLACK BA)	1	for all color vehicle
2	B05074001605	TAPPING SCREW ST4X16	8	
3	B05074201605	TAPPING SCREW ST4.2X16	1	
4	65801BMAT000	SPRING NUT ST4	1	
5	65301BMMTBH0(BH/CE)	FRONT COVER(SATIN-BLACK BH/SILVER CE)	1	for Red R8 vehicle
5	65301BMMTHN0(HN/CE)	FRONT COVER(GRAY HN/SILVER CE)	1	for Black BH vehicle
6	B05074001205	TAPPING SCREW ST4X12	8	
7	B05074001005	TAPPING SCREW ST4X10	2	
8	65355BMMT000	HEADLIGHT BRACKET. R	1	
9	65354BMMT000	HEADLIGHT BRACKET. L	1	
10	65367BMMTBA0	HEADLIGHT BRACKET.R. SATIN-BLACK BA	1	for all color vehicle
11	65366BMMTBA0	HEADLIGHT BRACKET.L. SATIN-BLACK BA	1	for all color vehicle
12	B13010601605	SCREW M6X16	1	
13	57130BMMT000	COVER BRACKET	1	



F17

FRONT COVER DECORATION ASSY.

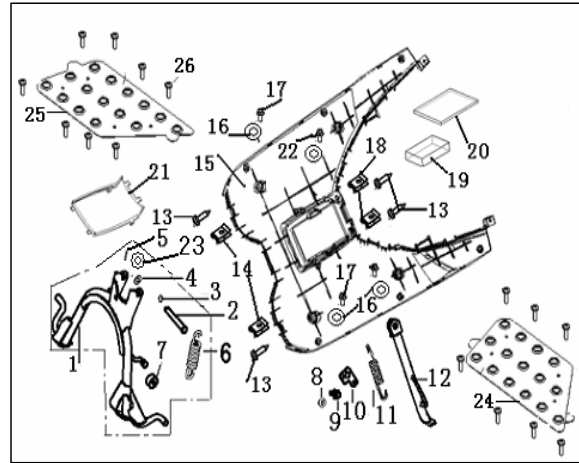
NO.	CODE	DESCRIPTION	QTY.	
1	65363BMMTB A0	DECORATION. R.(BLACK BA	1	for all color vehicle
2	65362BMMTB A0	DECORATION. L.(BLACK BA	1	for all color vehicle
3	65365BMMTBH0(BH/CE)	FRONT COVER BRACKET .R(BLACK BH/SILVER CE)	1	Red R8 vehicle
	65365BMMTHN0(HN/CE)	FRONT COVER BRACKET .R(DARK HN/SILVER CE)	1	for Black BH vehicle
4	65364BMMTBH0(BH/CE)	FRONT COVER BRACKET .L (BLACK BH/SILVER CE)	1	for Red R8 vehicle
	65364BMMTHN0(HN/CE)	FRONT COVER BRACKET. L(DARK HN/SILVER CE)	1	for Black BH vehicle
5	65802B MAT000	SPRING NUT ST4.8	8	
6	B05074801605	TAPPING SCREW ST4.8X16	8	
7	B05074001205	TAPPING SCREW ST4X12	4	



F18

FOOTREST/STAND

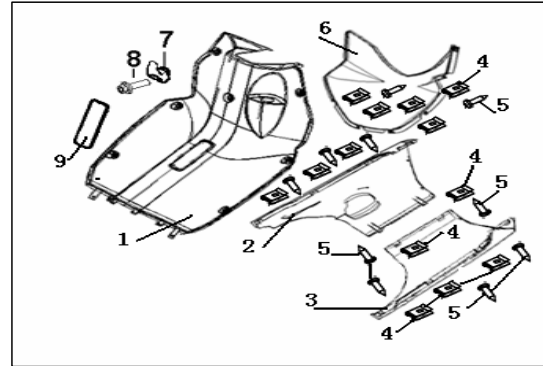
NO.	CODE	DESCRIPTION	QTY.
1	58520BM0T002	MAIN STAND COMP.	1
2	58590BM0T000	PIN	1
3	B190101000A0	O-RING 10X1.8	1
4	58508B0DT000	PLATE WASHER 10	1
5	63016B0DT000	SPLIT PIN	1
6	58510BM0T000	MAIN STAND SPRING ASSY.	1
7	58507BM0T000	CUSHION, MAIN STAND	1
8	B04070800065	NUT M8	1
9	57005BMBT000	BOLT, SINGLE STAND	1
10	57006BM0T000	HOOK SPRING	1
11	57010BM0T000	SIDE STAND SPRING ASSY.	1
12	58700BN0T000	SIDE STAND COMP.	1
13	B05074801605	TAPPING SCREW ST4.8X16	4
14	65802BMAT000	SPRING NUT ST4.8	2
15	65401BMMT000	FLOOR COMP.	1
16	B07020000605	WASHER 6	4
17	B01000604555	BOLT M6X45	2
18	65802BM0T000	SPRING NUT	2
19	65812BMBT000	BATTERY DAMPER II	1
20	65811BMBT000	BATTERY DAMPER I	1
21	65813BMMT000	BATTERY COVER	1
22	B01020603365	BOLT M6X33	2
23	B07030001005	WASHER 10	1
24	65411BMMT000	FLOOR COVER□L	1
25	65412BMMT000	FLOOR COVER□R	1
26	B05004201304	SCREW 4.2×13MM	16



F19**LEG SHIELD**

NO.	CODE	DESCRIPTION	QTY.
1	65402BMMT000	LEG SHIELD	1
2	65408BMMTBH0	DOWN COVER..L (BLACK BH)	1
3	65409BMMTBH0	DOWN COVER..R (BLACK BH)	1
4	65801BMAT000	SPRING NUT ST4	16
5	B05074201605	TAPPING SCREW ST4.2X16	16
6	65406BMMT000	INNER FENDER	1
7	51011BMBT000	HELMET POTHOOK	1
8	B01090602565	BOLT M6X25	1
9	65403BMMT000	INSPECT COVER	1

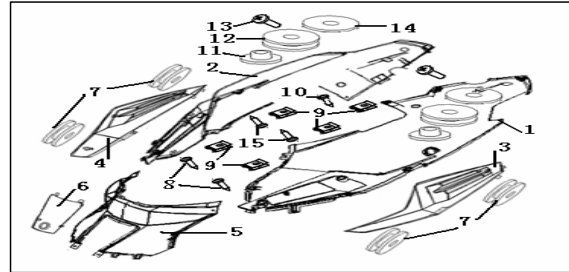
for all color vehicle
for all color vehicle



F20

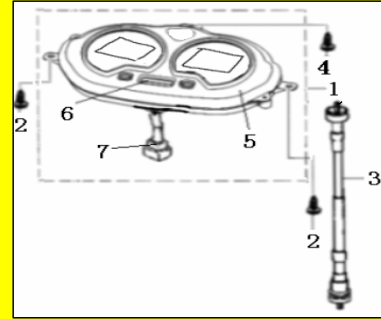
SIDE COVER

NO.	CODE	DESCRIPTION	QTY.	
1	65601BMMTBH0	SIDE COVER..L. (BLACK BH)	1	for Black BH vehicle
1	65601BMMTR80	SIDE COVER..L. (RED R8)	1	for Red R8 vehicle
2	65602BMMTBH0	SIDE COVER..R.(BLACK BH)	1	for Black BH vehicle
2	65602BMMTR80	SIDE COVER..R (RED R8)	1	for Red R8 vehicle
3	65603BMMTCE0	DOWN COVER .L.(SILVER CE)	1	for all color vehicle
4	65604BMMTCE0	DOWN COVER .R.(SILVER CE)	1	for all color vehicle
5	65605BMMT000	LUGGAGE BOX FR.. COVER	1	
6	65619BMMT000	LITTLE COVER	1	
7	65617J00P000	RUBBER WASHER	4	
8	B05074201605	TAPPING SCREW ST4.2X16	2	
9	65801BMAT000	SPRING NUT ST4	5	
10	B05074001205	TAPPING SCREW ST4X12	3	
11	65709BM0T000	BUSH, RR. FENDER	2	
12	65618J00P000	RUBBER WASHER	2	
13	B02000602025	SCREW M6X20	2	
14	08021BMBT000	WASHER	2	
15	B05074201905	TAPPING SCREW ST4.2X19	3	



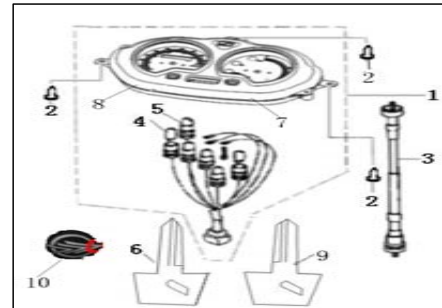
F21/1**LCD (DIGITAL) SPEEDOMETER.**

NO.	CODE		QTY
1	70000BMBT017	SPEEDOMETER COMP.	1
2	B05074001205	SCREW 4X12MM	2
3	72900BMBT000	SPEEDOMETER CABLE COMP.	1
4	B05074001205	SCREW 4X12MM	1
5	70003BMBT002	SPEEDOMETER COVER	1
6	76000BMBT000	DIGITAL WATCH	1
7	75000BMBT007	SPEEDOMETER WIRE ASSY	1



F21/2 (45KM)**MECHANICAL SPEEDOMETER.**

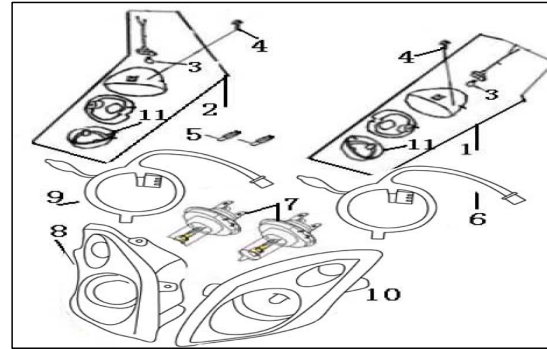
NO.	CODE	DESCRIPTION	QTY.
1	70000BMMTW63	SPEEDOMETER COMP.45KM VER	1
2	B05074001205	TAPPING SCREW ST4X12	3
3	72900BMBT000	SPEEDOMETERCABLE COMP.	1
4	70001BMBT000	BULB 12V-3W	3
5	70036BMBT000	BULB 12V-2W	3
6	88900BMBT001	KEY NUT RIGHT	1
7	70003BMBT004	SPEEDOMETER COVER	1
8	76000BMBT001	DIGITAL WATCH	1
9	88900BMBT002	KEY NUT LEFT	1
10	05501J4HT000	STICK	1



F22

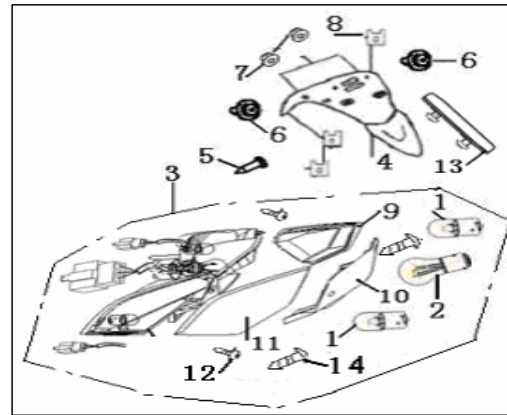
FLASHER LIGHT/HEAD LIGHT

NO.	CODE	DESCRIPTION	QTY.
1	81100BMMT001	FLASHER LIGHT ASSY.,F. L(E MARK)	1
2	81300BMMT001	FLASHER LIGHT ASSY.,F. R(E MARK)	1
3	81004JJ0P000	BULB □ORANGE150° 12V/10W□	2
4	B13060501405	SCREW 5X14MM	2
5	81004B50T000	BULB (12V5W)	2
6	80009BMMT001	FAR HEADLIGHT WIRE ASSY	1
7	80002BMMT000	BULB □12V35/35W□	2
8	80300BMMT000	NEAR HEAD LIGHT ASSY	1
9	80009BMMT000	NEAR HEADLIGHT WIRE ASSY	1
10	80200BMMT000	FAR HEAD LIGHT ASSY	1
11	81102BMMT001	FLASHER LIGHT COVER	2



F23**TAIL LIGHT**

NO.	CODE	DESCRIPTION	QTY.
1	81004BMBT000	BULB, 12V/10W	2
2	82005B20T000	BULB 12V 21/5W	1
3	82000BMMT000	TAIL LIGHT ASSY. (E MARK)	1
4	08202BMMT000	LICENSE BRACKET	1
5	B05074201605	TAPPING SCREW ST4.2X16	2
6	B13060601605	SCREW M6X16	2
7	B04070600065	NUT M6	2
8	65801BMAT000	SPRING NUT ST4	3
9	81703BMMT000	LIGHT COVER..R.R	1
10	82008BMMT000	INDICATOR LENS	1
11	81503BMMT000	LIGHT COVER..R.L	1
12	08011BN0T000	SCREW 3X8	2
13	86500BN0T000	RR REFLECTOR (E MARK)	1
14	08009BMMT000	SCREW 5X20	2

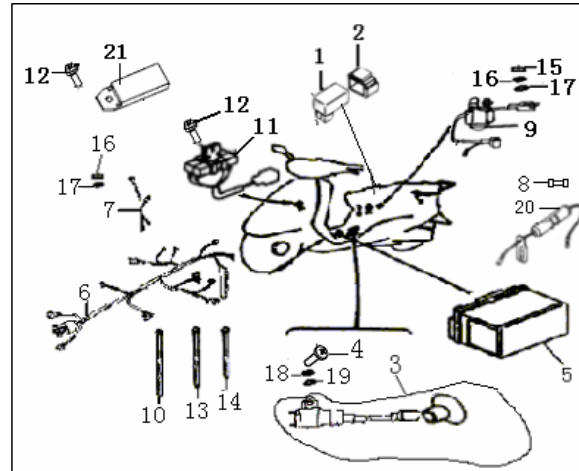


F24

ELECTRICAL EQUIPMENT I

NO.	CODE	DESCRIPTION	QTY
1	97701BM0T001	C.D.I. UNIT COMP.	1
2	96007BM0T000	CUSHION. C.D.I	1
3	96200BN0T000	IGNITION COIL ASSY	1
4	B02000502025	SCREW M5X20	1
5	96100BM0T000	BATTERYASSY. 12V,4AH	1
6	92000BMMT006	WIRE HARNESS ASSY.	1
7	96900BMBT000	WIRE HARNESS	1
8	96810BMAT000	FUSE 8A,250V	1
9	94000BMBT000	STARTER RELAY COMP.	1
10	96001K00P000	BAND 8X250	3
11	96600BMAT000	RESISTOR COMP.	1
12	B01090601265	BOLT M6X12	2
13	96003K00P000	BAND 8X200	3
14	96002K00P000	BAND 8X150	1
15	B04000600055	NUT M6	1
16	B07000000605	SPRING WASHER 6	2
17	B07030000605	WASHER 6	2
18	B07000000505	SPRING WASHER 5	1
19	B07030000505	WASHER 5	1
20	96800BMAT000	FUSE COMP	1
21	97900N0HP000	THERMOSTAT	1

with thermostat socket

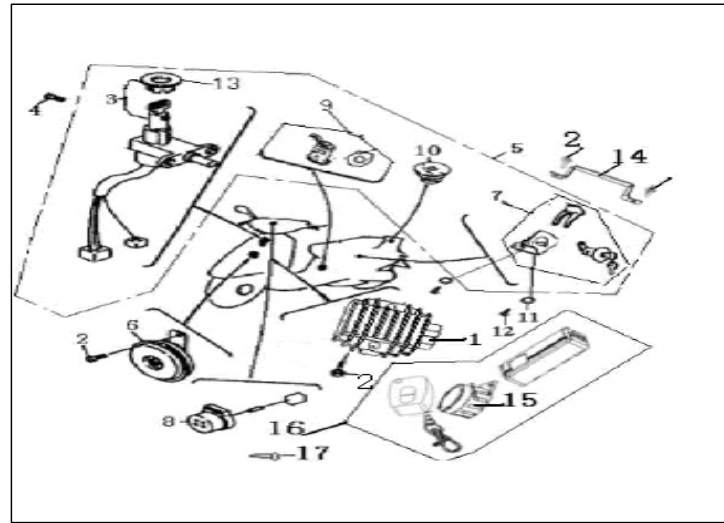


F25

ELECTRICAL EQUIPMENT

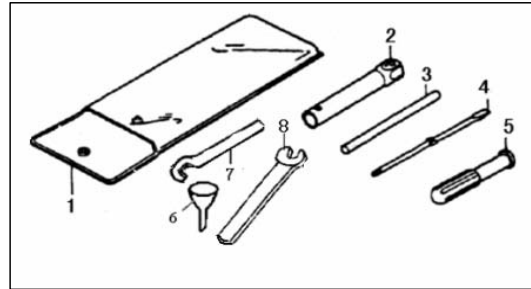
NO.	CODE	DESCRIPTION	QTY.
1	98801J0ET000	REGULATOR COMP.	1
2	B01090601265	BOLT M6X12	4
3	88100BMBT00A	MAIN SWITCH ASSY.	1
4	08002BMBT000	BOLT M6X12	2
5	88000BMMT00A	LOCK ASSY.	1
6	95000BMDT000	HORN (E-MARK)	1
7	88800BMBT000	LOCK ASSY., SEAT	1
8	96500BM0T00B	FLASH&AUDIO PILOT COMP.	1
9	88500BMBT000	LOCK, COVER	1
10	88400BMMT000	LOCK ASSY., FUEL TANK	1
11	B07030000505	WASHER 5	2
12	B05074001005	TAPPING SCREW ST4X10	2
13	88101BMBT000	COVER MAIN SWITCH	1
14	95701JCCT000	BAKT ALARMSYSTEM	1
15	95730BMBT002	ALARM SYSTEM HORN	1
16	95700BMBT002	ALARM ASSY.	1
17	B05074801305	TAPPING SCREW ST4.8X13	1

with waterproof socket
with waterproof socket



F26**TOOL KIT**

NO.	CODE	DESCRIPTION	QTY.
1	02110BM0T000	TOOL BAG	1
2	02102BM0T000	SPARK PLUG SOCKET	1
3	02101BM0T000	SPARK PLUG SOCKET HANDLE	1
4	02103BM0T000	SCREW DRIVER	1
5	02104BM0T000	HANDLE	1
6	02114BM0T000	FILTER, OIL TANK	1
7	02115BM0T000	RR. ABSORBER ADJUSTER	1
8	02117BMBT000	WRENCH 35	1

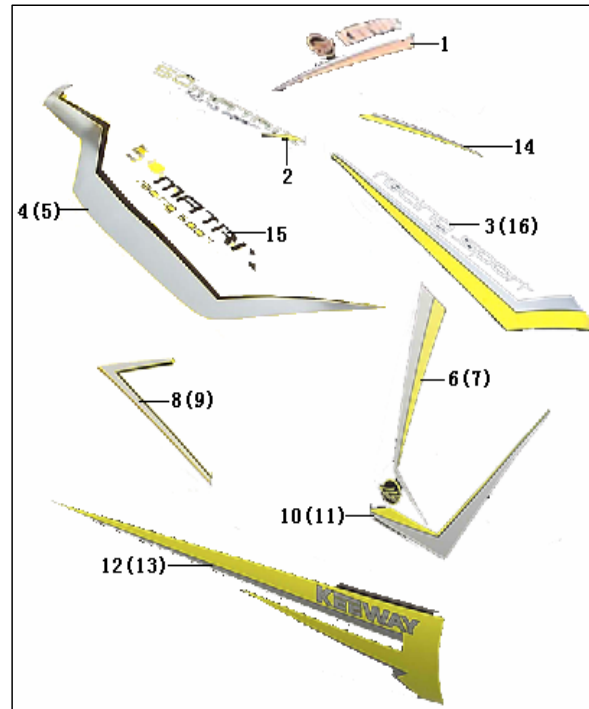


F27

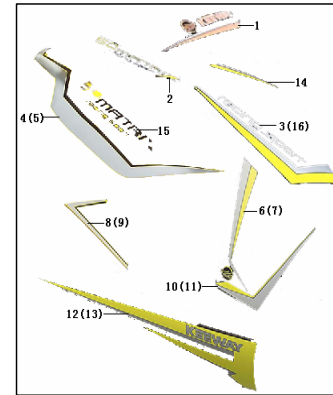
STICKER ASSY

bemærk:farveangivelse i "description" er køretøjets grundfarve hvortil stickeren passer

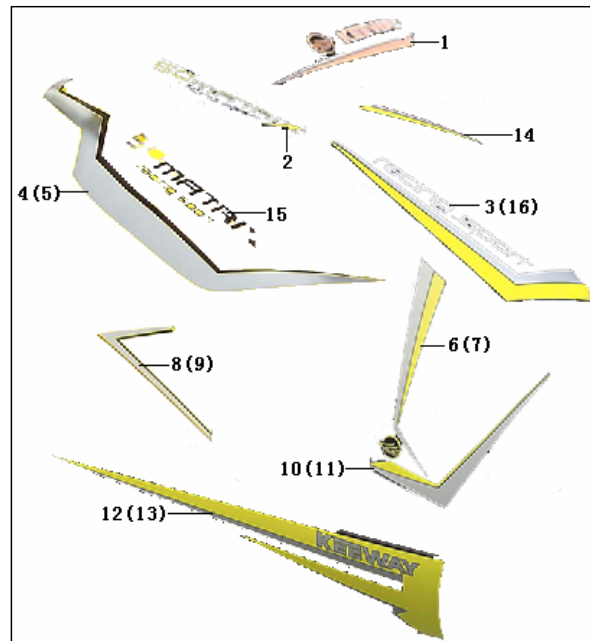
NO.	CODE	DESCRIPTION	QTY.	
1	05525BMMTBH0	STICKER HANDLE COVER LH. BLACK	1	match Black BH vehicle
1	05525BMMTR80	STICKER HANDLE COVER LH. RED	1	match Red R8 vehicle
1	05525BMMTM80	STICKER HANDLE COVER LH. YELLOW	1	match Yellow M8 vehicle
1	05525BMMTWJ0	STICKER HANDLE COVER LH. WHITE	1	match White WJ vehicle
2	05527BMMTBH0	STICKER FRONT COVER 1 BLACK	1	match Black BH vehicle
2	05527BMMTR80	STICKER FRONT COVER 1 RED	1	match Red R8 vehicle
2	05527BMMTM80	STICKER FRONT COVER 1 YELLOW	1	match Yellow M8 vehicle
2	05527BMMTWJ0	STICKER FRONT COVER 1 WHITE	1	match White WJ vehicle
3	05526BMMTBH0	STICKER FRONT COVER 2 BLACK	1	match Black BH vehicle
3	05526BMMTR80	STICKER FRONT COVER 2 RED	1	match Red R8 vehicle
3	05526BMMTM80	STICKER FRONT COVER 2 YELLOW	1	match Yellow M8 vehicle
3	05526BMMTWJ0	STICKER FRONT COVER 2 WHITE	1	match White WJ vehicle
4	05512BMMTBH2	STICKER SIDE COVER RH 1 BLACK	1	match Black BH vehicle
4	05512BMMTR82	STICKER SIDE COVER RH 1 RED	1	match Red R8 vehicle
4	05512BMMTM82	STICKER SIDE COVER RH 1 YELLOW	1	match Yellow M8 vehicle
4	05512BMMTWJ2	STICKER SIDE COVER RH 1 WHITE	1	match White WJ vehicle
5	05511BMMTBH2	STICKER SIDE COVER LH 1 BLACK	1	match Black BH vehicle
5	05511BMMTR82	STICKER SIDE COVER LH 1 RED	1	match Red R8 vehicle
5	05511BMMTM82	STICKER SIDE COVER LH 1 YELLOW	1	match Yellow M8 vehicle
5	05511BMMTWJ2	STICKER SIDE COVER LH 1 WHITE	1	match White WJ vehicle



6	05522BMMTBH2	STICKER FRONT COVER BRACKET RH□1 BLACK	1	match Black BH vehicle
6	05522BMMTR82	STICKER FRONT COVER BRACKET RH□1 RED	1	match Red R8 vehicle
6	05522BMMTM82	STICKER FRONT COVER BRACKET RH□1 YELLOW	1	match Yellow M8 vehicle
6	05522BMMTWJ2	STICKER FRONT COVER BRACKET RH□1 WHITE	1	match White WJ vehicle
7	05521BMMTBH2	STICKER FRONT COVER BRACKET LH□1 BLACK	1	match Black BH vehicle
7	05521BMMTR82	STICKER FRONT COVER BRACKET LH□1 RED	1	match Red R8 vehicle
7	05521BMMTM82	STICKER FRONT COVER BRACKET LH□1 YELLOW	1	match Yellow M8 vehicle
7	05521BMMTWJ2	STICKER FRONT COVER BRACKET LH□1 WHITE	1	match White WJ vehicle
8	05513BMMTBH0	STICKER SIDE COVER□RH□2 BLACK	1	match Black BH vehicle
8	05513BMMTR80	STICKER SIDE COVER□RH□2 RED	1	match Red R8 vehicle
8	05513BMMTM80	STICKER SIDE COVER□RH□2 YELLOW	1	match Yellow M8 vehicle
8	05513BMMTWJ0	STICKER SIDE COVER□RH□2 WHITE	1	match White WJ vehicle



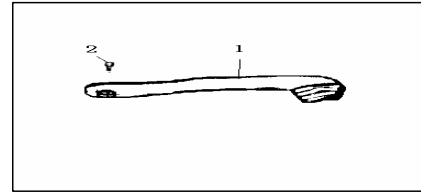
9	05514BMMTBH0	STICKER SIDE COVER □ LH □ 2 BLACK	1	match Black BH vehicle
9	05514BMMTR80	STICKER SIDE COVER □ LH □ 2 RED	1	match Red R8 vehicle
9	05514BMMTM80	STICKER SIDE COVER □ LH □ 2 YELLOW	1	match Yellow M8 vehicle
9	05514BMMTWJ0	STICKER SIDE COVER □ LH □ 2 WHITE	1	match White WJ vehicle
10	05523BMMTBH0	STICKER FRONT COVER BRACKET RH □ 2 BLACK	1	match Black BH vehicle
10	05523BMMTR80	STICKER FRONT COVER BRACKET RH □ 2 RED	1	match Red R8 vehicle
10	05523BMMTM80	STICKER FRONT COVER BRACKET RH □ 2 YELLOW	1	match Yellow M8 vehicle
10	05523BMMTWJ0	STICKER FRONT COVER BRACKET RH □ 2 WHITE	1	match White WJ vehicle
11	05524BMMTBH0	STICKER FRONT COVER BRACKET LH □ 2 BLACK	1	match Black BH vehicle
11	05524BMMTR80	STICKER FRONT COVER BRACKET LH □ 2 RED	1	match Red R8 vehicle
11	05524BMMTM80	STICKER FRONT COVER BRACKET LH □ 2 YELLOW	1	match Yellow M8 vehicle
11	05524BMMTWJ0	STICKER FRONT COVER BRACKET LH □ 2 WHITE	1	match White WJ vehicle
12	05542BMMTBH0	STICKER UNDER COVER □ RH BLACK	1	match Black BH vehicle
12	05542BMMTR80	STICKER UNDER COVER □ RH RED	1	match Red R8 vehicle
12	05542BMMTM80	STICKER UNDER COVER □ RH YELLOW	1	match Yellow M8 vehicle
12	05542BMMTWJ0	STICKER UNDER COVER □ RH WHITE	1	match White WJ vehicle
13	05541BMMTBH0	STICKER UNDER COVER □ LH BLACK	1	match Black BH vehicle
13	05541BMMTR80	STICKER UNDER COVER □ LH RED	1	match Red R8 vehicle
13	05541BMMTM80	STICKER UNDER COVER □ LH YELLOW	1	match Yellow M8 vehicle
13	05541BMMTWJ0	STICKER UNDER COVER □ LH WHITE	1	match White WJ vehicle
14	05528BMMTM80	STICKER □ HANDLE COVER □ RH. YELLOW	1	match Yellow M8 vehicle
14	05528BMMTR80	STICKER □ HANDLE COVER □ RH. RED	1	match Red R8 vehicle
14	05528BMMTBH0	STICKER □ HANDLE COVER □ RH. BLACK	1	match Black BH vehicle
14	05528BMMTWJ0	STICKER □ HANDLE COVER □ RH. WHITE	1	match White WJ vehicle
15	05534B94R80A	STICKER ,SIDE COVER RED	2	match Red R8 vehicle
15	05534B94WJ0A	STICKER ,SIDE COVER WHITE	2	match White WJ vehicle
15	05534B94BH0A	STICKER ,SIDE COVER BLACK	2	match Black BH vehicle
15	05534B94M80A	STICKER ,SIDE COVER YELLOW	2	match Yellow M8 vehicle
16	05523B94R80A	STICKER FRONT COVER □ 3 RED	1	match Red R8 vehicle
16	05523B94WJ0A	STICKER FRONT COVER □ 3 WHITE	1	match White WJ vehicle
16	05523B94BH0A	STICKER FRONT COVER □ 3 BLACK	1	match Black BH vehicle
16	05523B94M80A	STICKER FRONT COVER □ 3 YELLOW	1	match Yellow M8 vehicle



F28

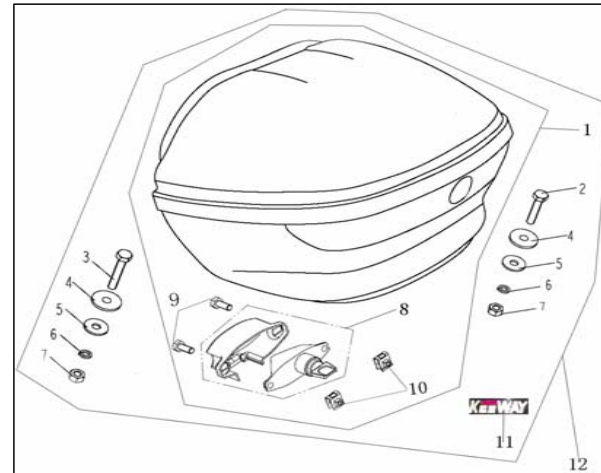
ENGINE ATTACHMENT

NO.	CODE	DESCRIPTION	QTY.
1	08351BM0TC10	STARTING SHAFT□SILVER□	1
2	B02050602565	SCREW M6X25	1



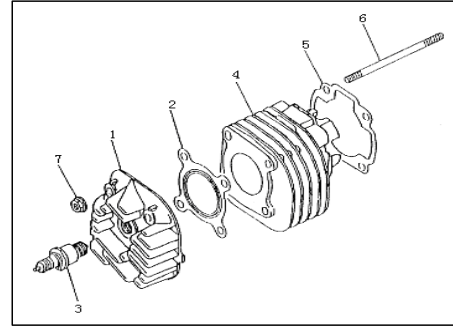
F29**BACK BOX ASSY.**

NO.	CODE	DESCRIPTION	QTY.	NR.SKIFT TIL..
1	52210BMBTM80	BACK BOX (YELLOW M8) udgår se nyt nr	1	52200BMBTM80
1	52210BMBTR80	BACK BOX (RED R8) udgår se nyt nr	1	52200BMBTR80
1	52210BMBTBH0	BACK BOX (BLACK BH) udgår se nyt nr	1	52200BMBTBH0
1	52210BMBTWJ0	BACK BOX (WHITE WJ) udgår se nyt nr	1	52200BMBTWJ0
2	B01010603033	BOLT M6×30	2	
3	B01010603533	BOLT M6×35	2	
4	52221BMBT000	WASHER	4	
5	B07020000603	WASHER 6	4	
6	B07000000603	SPRING WASHER 6	4	
7	B04000600043	NUT M6	4	
8	88600BMBT000	BACK BOX LOCK	1	
9	B01070601663	SCREW M6×16	2	
10	52910BMBT000	NUT,CLIPPING M6	2	
11	05591BMBT000	BACK BOX STICKER	1	
12	52200BMBTM80	BACK BOX ASSY (YELLOW M8)	1	
12	52200BMBTR80	BACK BOX ASSY(RED R8)	1	
12	52200BMBTBH0	BACK BOX ASSY(BLACK BH)	1	
12	52200BMBTWJ0	BACK BOX ASSY(WHITE WJ)	1	



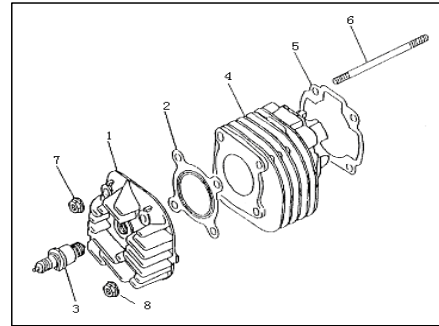
E01/1 CYLINDER HEAD ASSY 45KM

NO.	PART NO.	DESCRIPTION	QTY	NOTES
1	201200.066000	HEAD,CYLINDER	1	
2	30507B01F000	GASKET,CYLINDER HEAD	1	
3	201204.015000	SPEAK PLUG	1	TYPE:BR7ES
4	204200.041000	CYLINDER	1	
5	204204.001000	GASKET□CYLINDER	1	NON-ASBESTUS
6	26107B01F910	STUD BOLT	4	
7	304290700063	NUT	4	



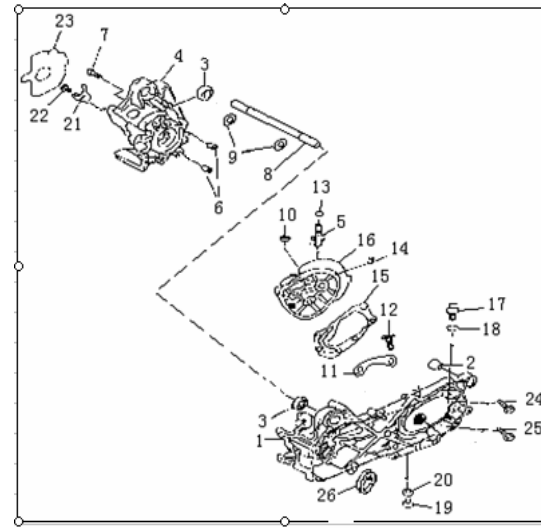
E01/2 CYLINDER HEAD ASSY 30KM

NO.	PART NO.	DESCRIPTION	QTY	RMK
1	201200.066000	HEAD□CYLINDER	1	
2	30507B01F000	GASKET□CYLINDER HEAD	1	
3	201204.015000	SPEAK PLUG	1	TYPE:BR7ES
4	204200.041000	CYLINDER	1	
5	204204.001000	GASKET□CYLINDER	1	NON-ASBESTUS
6	26107B01F910	STUD BOLT	4	
7	304290700063	NUT	3	
8	201334.001000	NUT	1	RESTRICTION



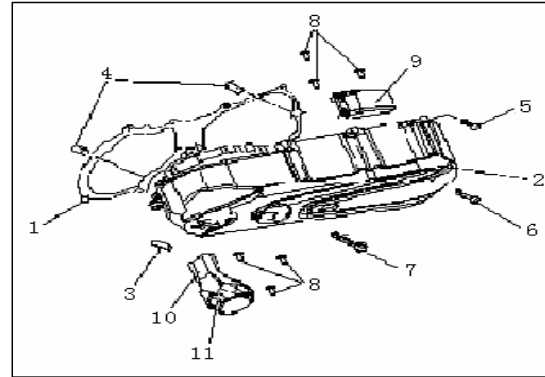
E02 CRANKCASE ASSY

NO.	PART NO.	DESCRIPTION	QTY	RMK
1	206200.057000	CRANKCASE,LH	1	
2	26108G02F000	BUSH,ENGINE MOUNTING	1	
3	B12016600300	BEARING	2	
4	26211B09F001	CRANKCASE,RH	1	
5	26142G02F000	BRAKE SHOE	1	
6	26123G02F000	DOWEL PIN	2	
7	301310603565	PAN HEAD SCREW	6	
8	26109B09F000	AXLE,engine mount	1	
9	B08010001700	CIRCLIP	2	
10	B04070812553	NUT	1	
11	26214B09F000	BEARING HOLDER	1	
12	B02000601262	PAN HEAD SCREW	2	
13	14222J01F000	O-RING	1	
14	26123G02F000	DOWEL PIN	2	
15	214201.004000	MISSION CASE GASKET	1	
16	18101B09F000	COVER, GEAR BOX	1	
17	206407.004081	OIL PLUG	1	
18	26102G02F000	O RING	1	
19	301310801605	FLANGE BOLT	1	
20	18105H03F000	PLATE WASHER	1	
21	26214G02F910	OIL SEAL HOLDER	1	
22	301310601263	PAN HEAD SCREW	1	
23	206321.001000	GASKET	1	
24	301310805565	SCREW M8X55	2	
25	301310805065	SCREW M8X50	5	
26	207234.001000	bush	1	



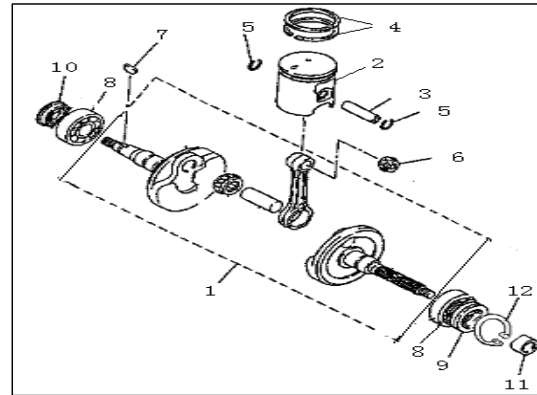
E03 SIDECOVER ASSY

NO.	PART NO.	DESCRIPTION	QTY	RMK
1	207208.017000	GASKET,L CRANKCASE	1	
2	207200.120082	L CRANKCASE COVER	1	
3	26128G02F000	IDLE GEAR	1	
4	26208J01F000	DOWEL PIN	2	
5	301310602565	PAN HEAD SCREW M6X25	8	
6	301310603565	PAN HEAD SCREW M6X35	1	
7	301310606565	PAN HEAD SCREW M6X65	1	
8	3052035014F5	SCREW ST3.5X14	6	
9	14149B09F000	AIR DUCT-OUTLET	1	
10	14148B09F000	AIR DUCT-INLET	1	
11	14150B09F000	FILTER ASSY	1	



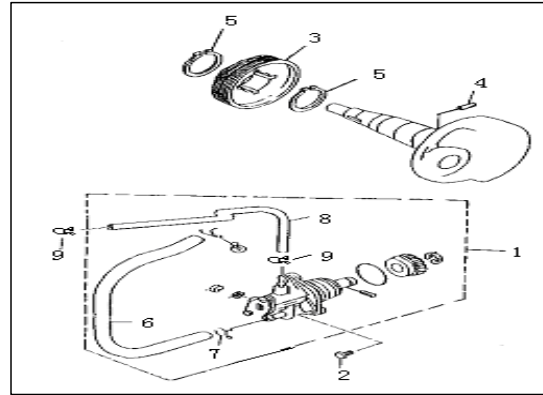
E04 PISTON CRANKSHAFT CONNECTING ROD ASSY

NO.	PART NO.	DESCRIPTION	QTY	RMK
1	208100.022000	CRANKSHAFT ASSY	1	
2	15100B09F000	PISTON ASSY	1	
3	15105B16F000	PISTON PIN	1	
4	15103B09F000	PISTON RING ASSY	2	
5	15111G02F000	CIRCLIP	2	
6	15110B16F000	NEEDLE BEARING	1	
7	15101B01F000	WOODRUFF KEY	1	
8	B12016620453	BEARING	2	
9	15213G02F000	OIL SEAL	1	
10	26215G02F000	OIL SEAL ASSY	1	
11	15214G02F000	COLLAR	1	
12	17308G02F000	CIRCLIP	1	



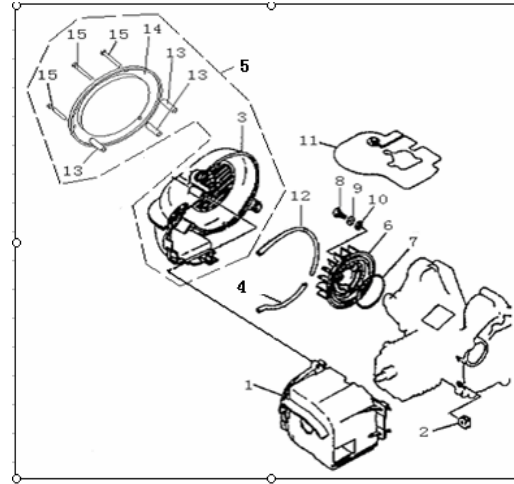
E05 OIL PUMP ASSY

NO.	PART NO.	DESCRIPTION	QTY	RMK
1	219101.008000	OIL PUMP ASSY	1	
2	B02000501463	SCREW	2	
3	15211G02F000	PUMP DRIVE GEAR	1	
4	B090103014C0	PIN	1	
5	15106G02F910	CIRCLIP	2	
6	221405.100000	HOSE,OIL INLET	1	
7	19213G02F00A	HOSE CLIP	2	
8	221405.101000	HOSE,OIL OUTLET	1	
9	19217G02F00A	HOSE CLIP	2	



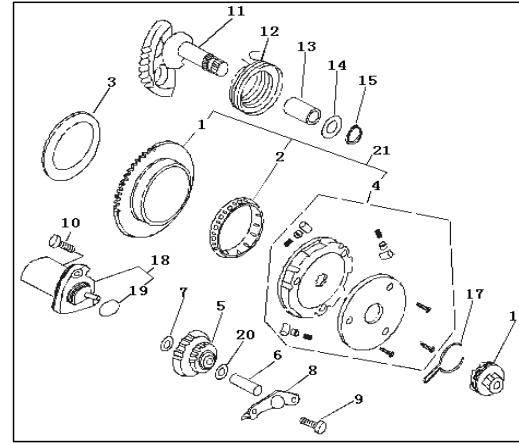
E06 AIR COOLING SYSTEM

NO.	PART NO.	DESCRIPTION	QTY	RMK
1	20301B01F000	COWLING,cylinder	1	
2	20303G02F000	GROMMET	2	
3	20201B09F000	COELING,fan	1	AVL
4	20208G02F000	MOLD,cowling	1	110
5	222103.014000	COELING ASSY,fan	1	
6	20401B01F000	FAN ASSY	1	
7	20402G02F000	RUBBER RING	1	
8	B02000601663	SCREW	3	
9	B07000000600	SPRING WASHER	3	
10	B07030000600	WASHER	3	
11	20102G02F000	PLATE	1	
12	20206G02F000	MOLD,cowling	1	220
13	20208B09F000	COLLOR	3	
14	222304.101000	COVER	1	
15	B02000403524	SCREW	3	



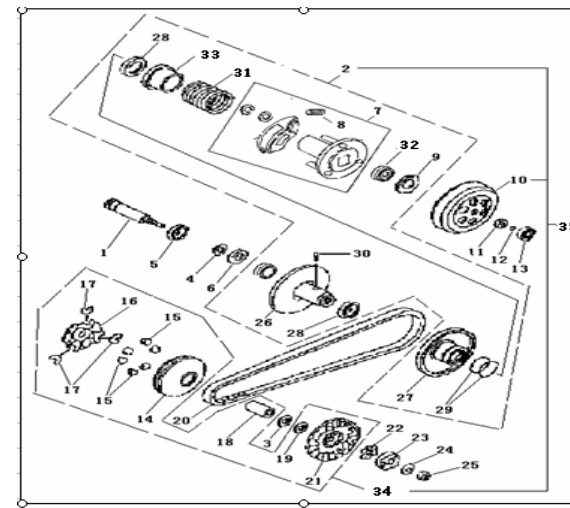
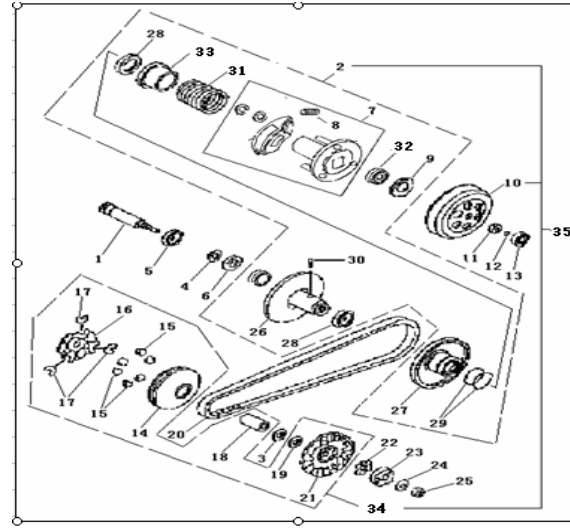
E07 KICK STARTER ASSY

NO.	PART NO.	DESCRIPTION	QTY	RMK
1	34120G02F000	START GEAR ASSY	1	
2	34121G02F000	NEEDLE BEARING	1	
3	34123G02F000	THRUST WASHER	1	
4	34110G02F00A	START HOLDER ASSY	1	
5	34126G02F000	DRIVEN GEAR,STARTER	1	
6	26128G02F000	IDLE GEAR SHAFT	1	
7	34122G02F000	PLATE WASHER	1	
8	34125G02F000	IDLE GEAR HOLDER	1	
9	B02000601063	SCREW	2	
10	302040602065	SCREW	2	
11	216100.003000	SHAFT, kick starter	1	
11	216100.004000	SHAFT, kick starter speed free	1	speed free
12	17407G02F000	SPRING	1	
13	216217.004000	BUSH	1	
13	216217.001000	BUSH speed free	1	speed free
14	307991005552	WASHER ,kick starter	1	
15	308090150003	CIRCLIP	1	
16	17415G02F000	KICK PINION ASSY	1	
17	17418G02F930	CLIP	1	
18	218100.017472	STARTING MOTOR ASSY	1	
19	B190102120B0	O-RING	1	
20	34130G02F000	PLATE WASHER	1	
21	217100.100000	START CLUTCH ASSY	1	



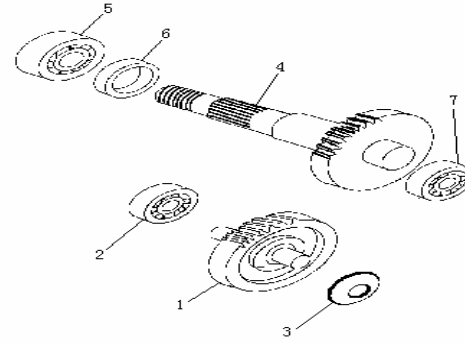
E08 CLUTCH ASSY

NO.	PART NO.	DESCRIPTION	QTY	RMK
1	24201B09F000	PRIMARY DRIVE SHAFT	1	
2	24200B01F000	DRIVEN PULLY and CLUTCH ASSY	1	
3	24106B09F00F	WASHER(45KM)	1	WIDTH 3.2, 45KM/H
3	24106B09F00J	WASHER(30KM)	1	WIDTH 4, 30KM/H
4	B08010001700	CIRCLIP	1	
5	B12016620300	ROLING BEARING 6203	1	
6	24203B09F000	OIL SEAL	1	
7	24301B01F000	CLUTCH ASSY,shoe	3	
8	24302B01F000	SPRING	3	
9	24303G02F000	NUT	1	
10	24700G02F000	HOUSING	1	
11	24305G02F940	NUT	1	
12	24243G02F000	O-RING	1	
13	24209G02F000	BEARING 638Z	1	
14	24101B09F000	FACE,movable drive	1	
14	24101G02F000	FACE,movable drive (speed free)	1	speed free
15	213119.005000	ROLLER	6	6.3g
15	213119.012000	ROLLER 6g (speed free)(1set 6pieces)	1	speed free
16	24103G02F000	PLATE,movable drive	1	
17	24104G02F000	DAMPER	3	
18	24105G02F000	COLLER	1	
19	24106B01F000	WASHER	1	
20	24107B01F000	V BELT DRIVE	1	
21	24108B09F000	FACE FIXED DRIVE	1	
21	24108G02F000	FACE FIXED DRIVE (speed free)	1	speed free
22	24109G02F000	PLATE WOODRUFF KEY	1	
23	213203.001161	STARTING DISC	1	
24	15112G02F010	WASHER SPRING	1	
25	B04031212553	NUT	1	
26	24204G02F000	FACE FIXED DRIVEN	1	
27	24205G02F000	FACE MOVABLE DRIVEN	1	
28	24206G02F000	OIL SEAL	1	
29	24207G02F000	O-RING	2	
30	24208G02F000	PIN□GUIDE	2	
31	24308B01F000	SPRING	1	
32	24245G02F000	ROLLER BEARING	1	
33	24309G02F930	SEAT SPRING	1	
34	24100B09F000	DRIVE ASSY	1	
35	213100.022000	SHIFT ASSY(6.3g)	1	6.3g
35	213112.004000	SHIFT ASSY(6g)(speed free)	1	speed free



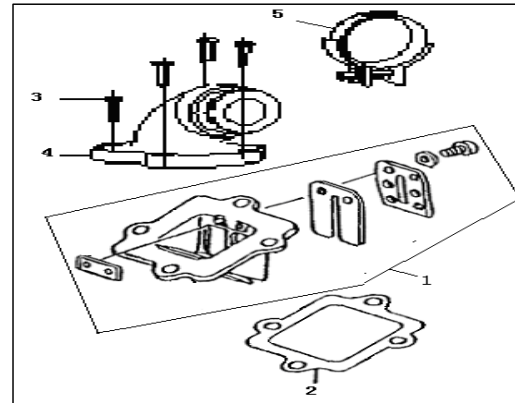
E09 TRANSMISSION SYSTEM ASSY

NO.	PART NO.	DESCRIPTION	QTY	RMK
1	17800B09F000	SHAFT□IDLE	1	
2	B12016620000	BEARING 6200	1	
3	17732J01F000	WASHER□thrust	1	
4	17300B09F000	SHAFT□REAR BOX	1	
5	B12016600400	NEEDLE BEARING	1	
6	17317B09F000	OIL SEAL	1	
7	B12016620200	NEEDLE BEARING	1	



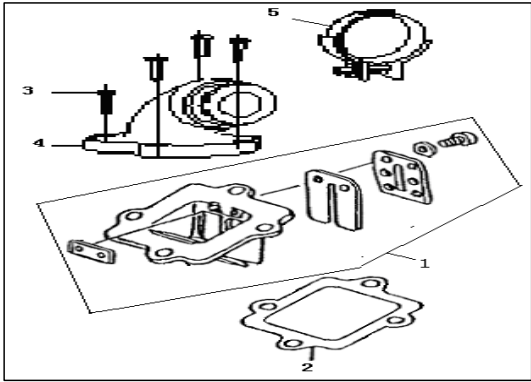
E10/1 REED VALVE ASSY 45KM

NO.	PART NO.	DESCRIPTION	QTY	RMK
1	32300G02F000	REED VALVE ASSY	1	
2	202306.002000	VALVE SEAT GASKET	1	
3	302040602065	SCREW	3	
4	32200G02F000	PIPE, intake	1	
5	202104.006472	CLIP	1	45km/h;free-speed
6	206412.001472	SCREW	1	



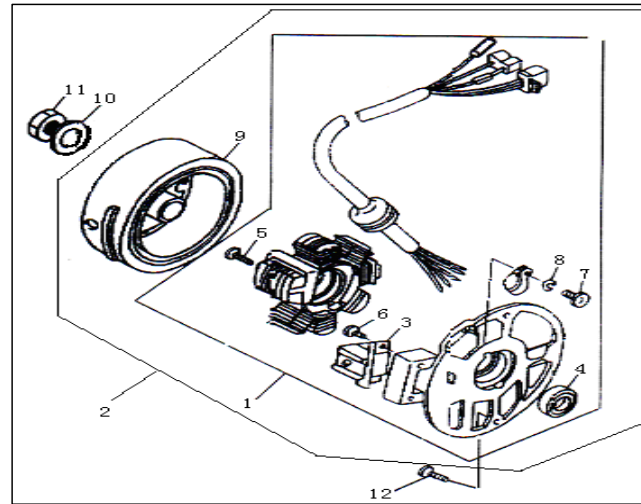
E10/2 REED VALVE ASSY 30KM,

NO.	PART NO.	DESCRIPTION	QTY	RMK
1	32300G02F000	REED VALVE ASSY	1	
2	202306.002000	VALVE SEAT GASKET	1	
3	302040602065	SCREW	4	
4	32200G02F000	PIPE, intake	1	
5	202215.007994	CLIP	1	STAINLESS
6	206412.001472	SCREW	1	



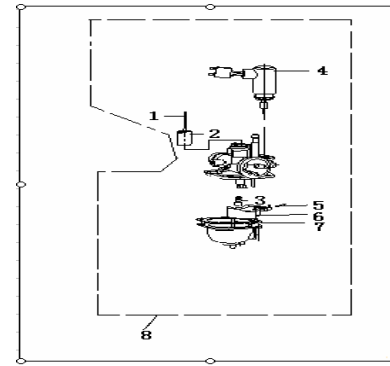
E11 MAGNETO ASSY

NO.	PART NO.	DESCRIPTION	QTY	RMK
1	223102.104000	COIL ASSY	1	
4	223100.101000	MAGNETO ASSY	1	17°
3	34330G02F000	PULSE TRIGGER	1	
2	34350G02F000	OIL SEAT	1	
5	B02000502522	SCREW	2	
6	B02000501262	SCREW	2	
7	B02000400622	SCREW	1	
8	B07000000400	SPRING WASHER	1	
9	223101.022000	FLY WHEEL ASSY	1	17°
10	B07030001200	WASHER	1	
11	15228H03F000	NUT	1	
12	B02270601664	NUT	2	



E12/1 CARBURETOR ASSY 45KM

NO.	PART NO.	DESCRIPTION	QTY	RMK
1	32510B01F000	NEEDLE, jet	1	
2	32511B01F000	VALVE,PISTON	1	45,30
3	224202.006000	JET, main	1	47.5#
4	32612B01F000	ENRICH VALVE	1	□□270
5	32619B01F000	PIN, float	1	
6	32620B01F000	FLOAT	1	
7	32701B01F000	GASKET	1	
8	224100.047000	CARBURETOR ASSY	1	MIKUNI



E12/2 CARBURETOR ASSY 30KM

NO.	PART NO.	DESCRIPTION	QTY	RMK
1	32510B01F000	NEEDLE, jet	1	
2	32511B01F000	VALVE,PISTON	1	
3	224202.101000	JET, main	1	45#
4	32612B01F000	ENRICH VALVE	1	270
5	32619B01F000	PIN, float	1	
6	32620B01F000	FLOAT	1	
7	32701B01F000	GASKET	1	
8	224100.108000	CARBURETOR ASSY	1	MIKUNI

