



Spare Parts Catalog

Flash Euro-2



Flash 30

Flash 45

www.keyway.dk

2008.1

CARL ANDERSEN MOTORCYKLER A/S

Niels Bohrs Vej 15, Stilling

Postboks 680

DK-8660 Skanderborg

Telefon. 8694 6177

Telefax. 8694 4447

www.ca-mc.dk

e-mail: ordre@ca-mc.dk

Introduktion

Dette reservedels katalog indeholder de nødvendige informationer til identifikation og bestilling af reserve dele. Oplys venligst både reservedels nr. og beskrivelse ved ordreafgivelse

Dele til **stel mm.** kan findes under F01 til F25 først i kataloget

Dele til **motor** kan findes under E01 til E12 først i kataloget

e-mail: ordre@ca-mc.dk

Fax: 86 94 44 47

Reservedele direkte nr: 87 54 10 21
87 54 10 22

CARL ANDERSEN MOTORCYKLER A/S

Niels Bohrs Vej 15, Stilling
Postboks 680
DK-8660 Skanderborg

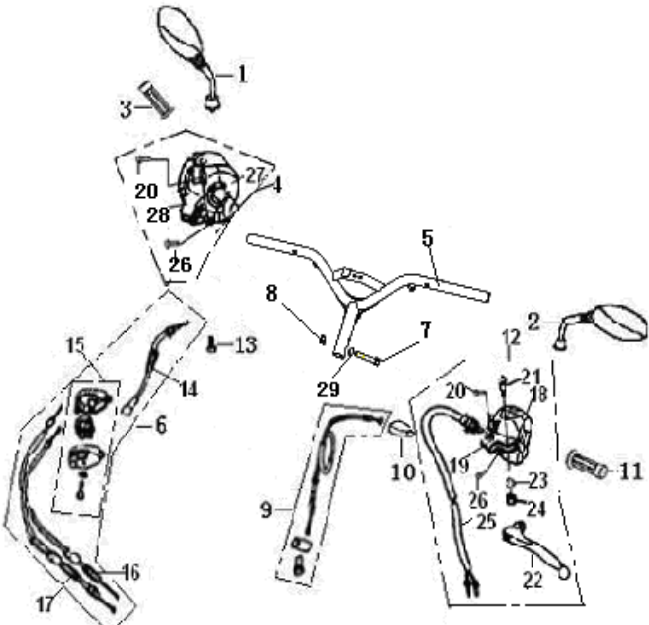
Telefon. 8694 6177

Telefax. 8694 4447

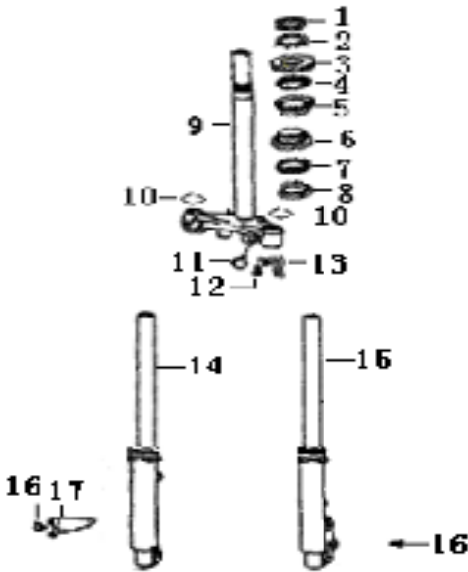
www.ca-mc.dk

Table of content - Stel

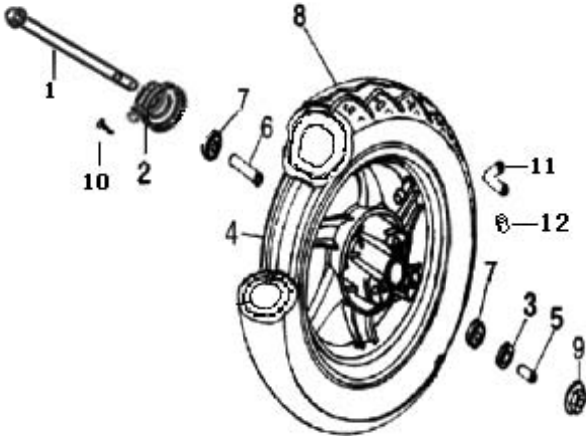
F01 Steering



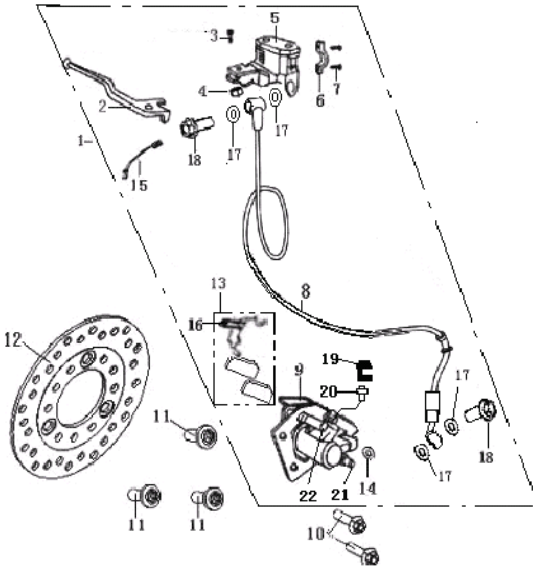
F02 Front fork



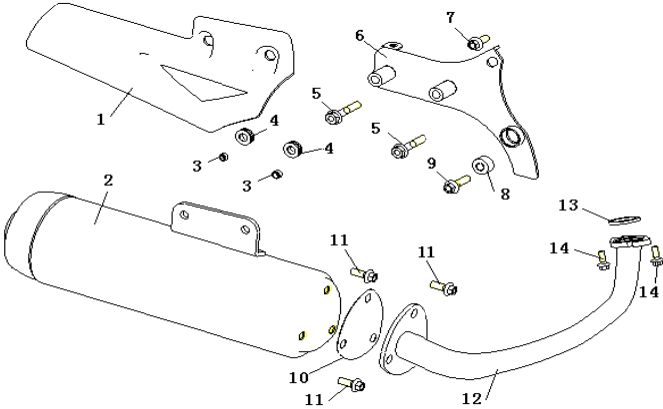
F03 Front wheel



F04 Disc brake assy. 12 inch tire



F05 Muffler (45 km/h)



F06 Air cleaner

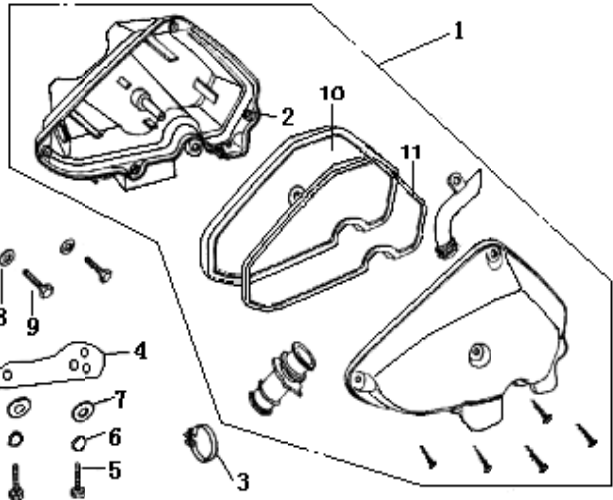
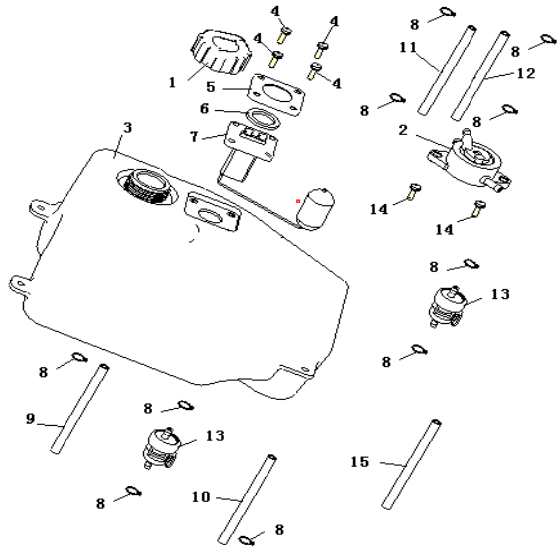
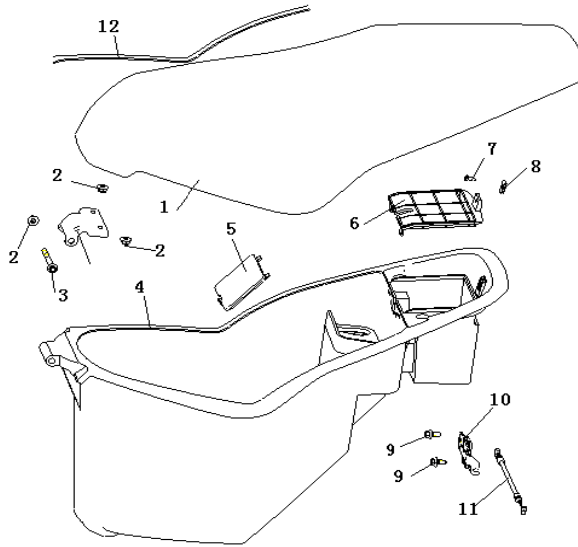


Table of content - Stel

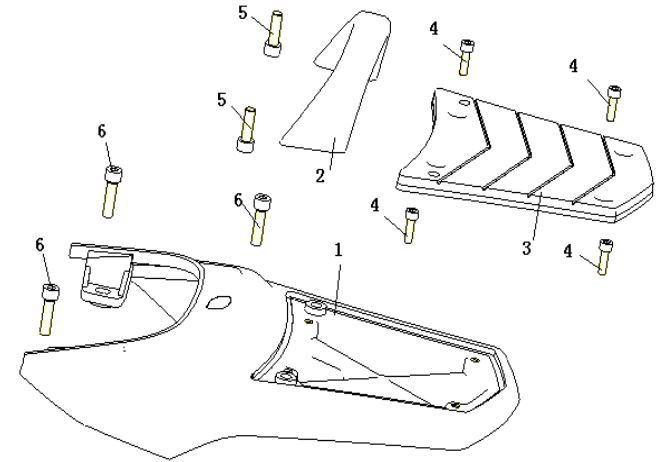
F07 Fuel tank



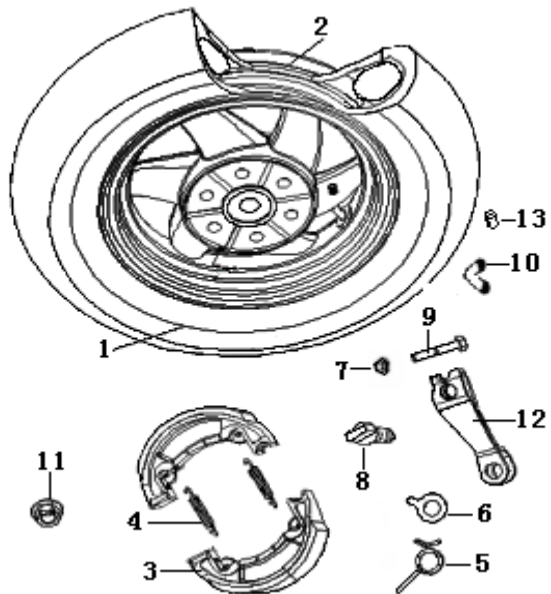
F08 Seat



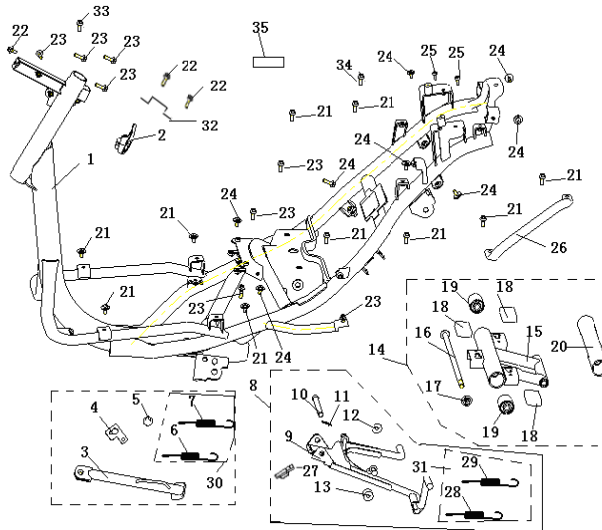
F09 Rear swinging arm



F10 Rear wheel



F11 Frame



F12 Rear shock absorber assy

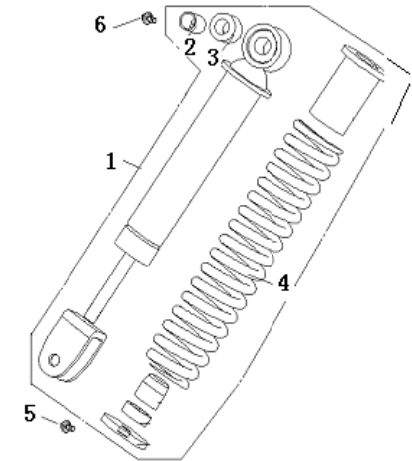
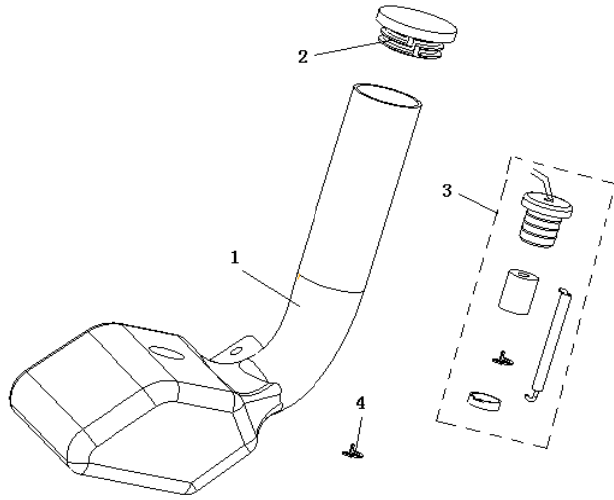
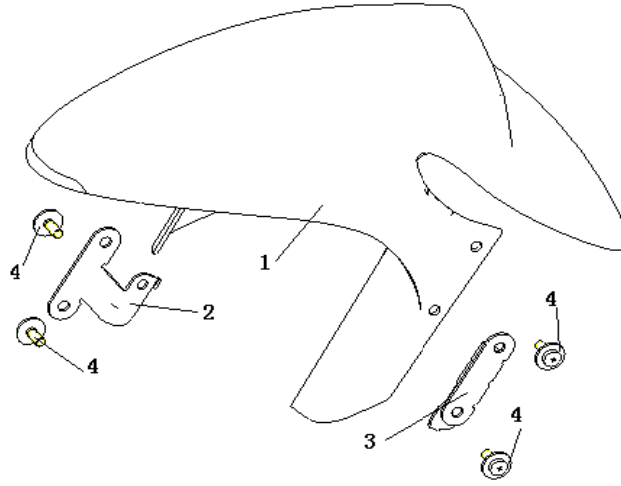


Table of content - Stel

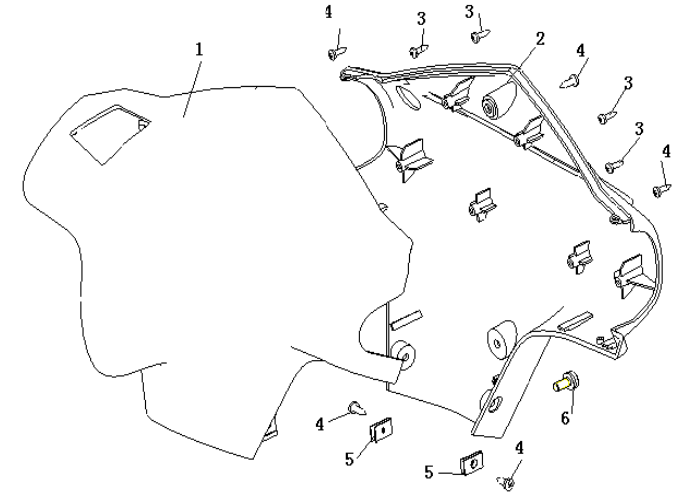
F13 Oil tank assy



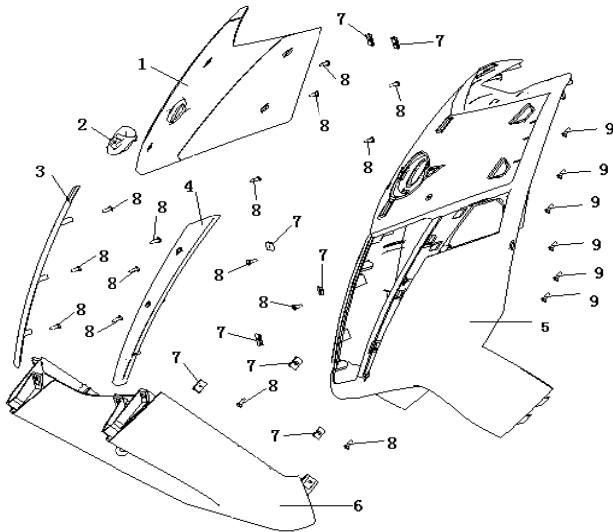
F14 Front fender assy



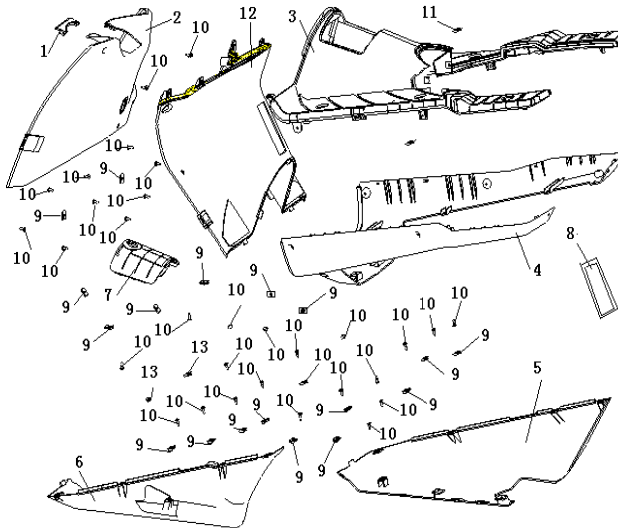
F15 Handle cover assy



F16 Front cover assy



F17 Leg shield assy



F18 Frame cover

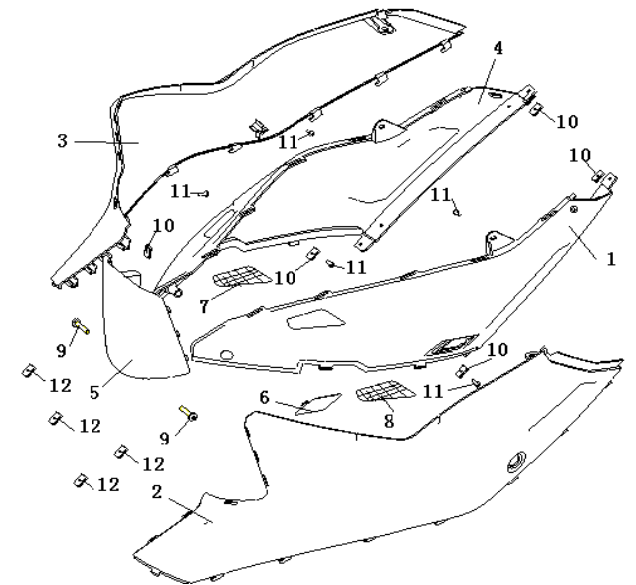
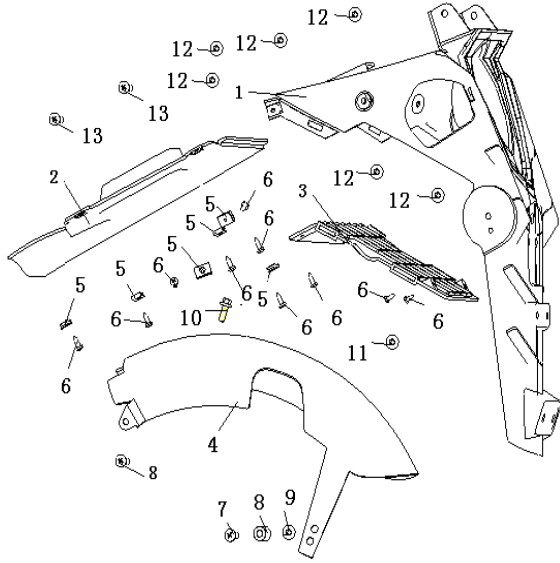
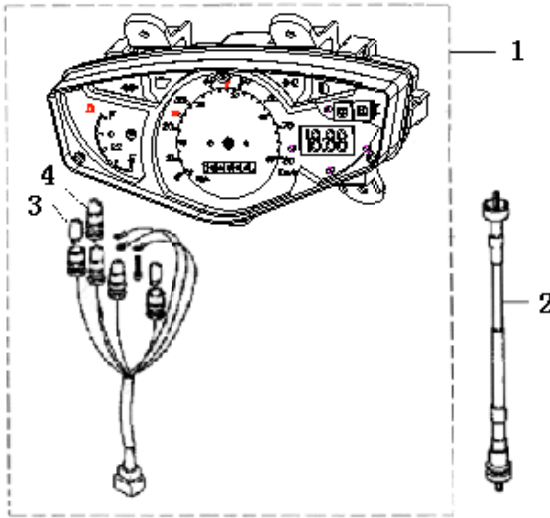


Table of content - Stel

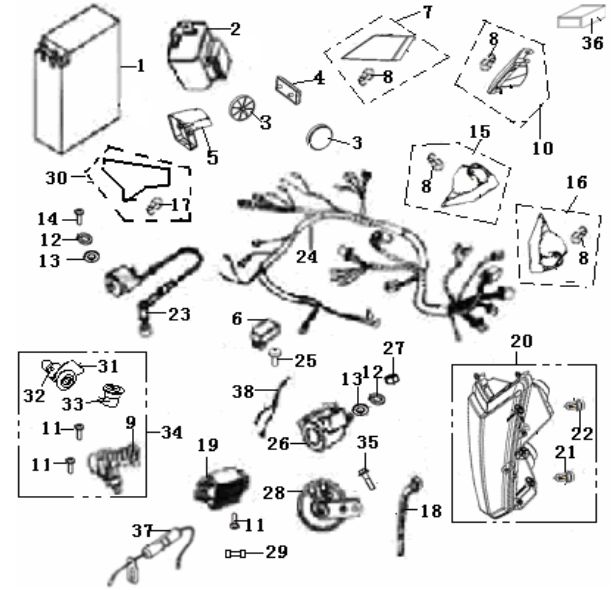
F19 Rear fender



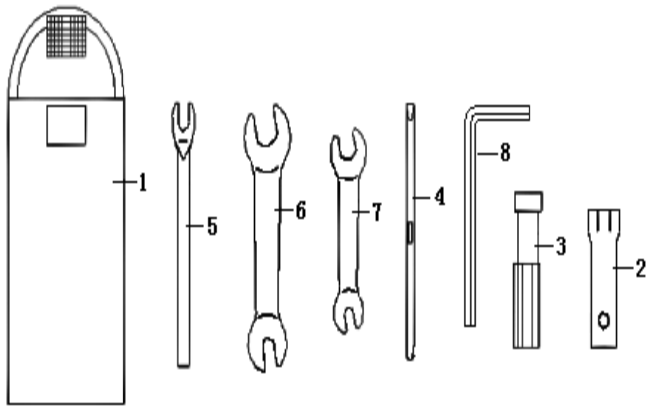
F20 Speedometer assy



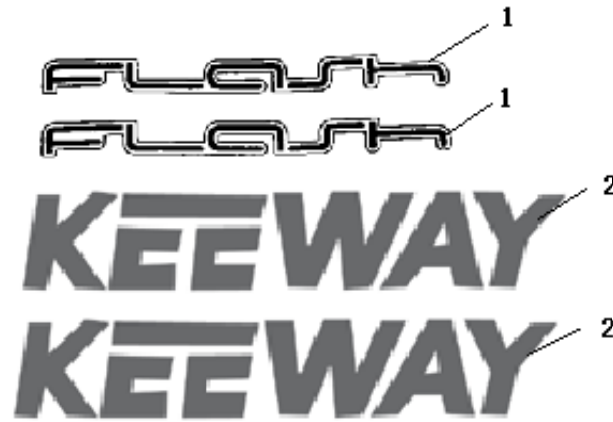
F21 Electric



F22 Tool kit



F23 Stickers



F24 Engine attachment

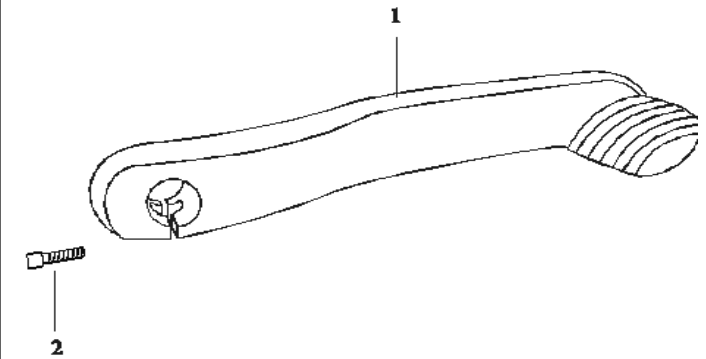


Table of content – Frame

F25 Bach box assy

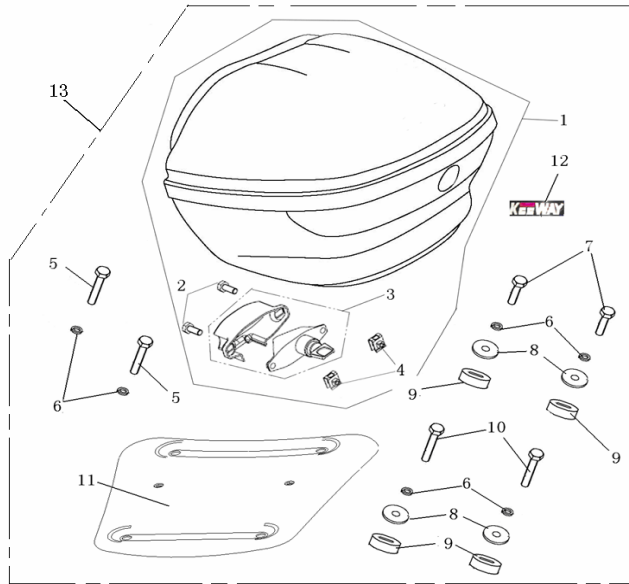
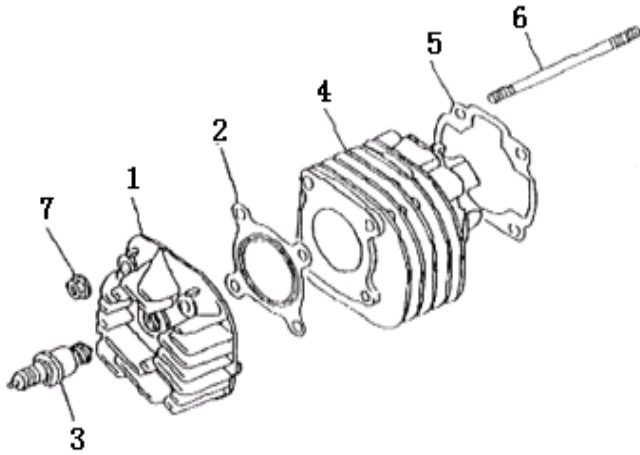
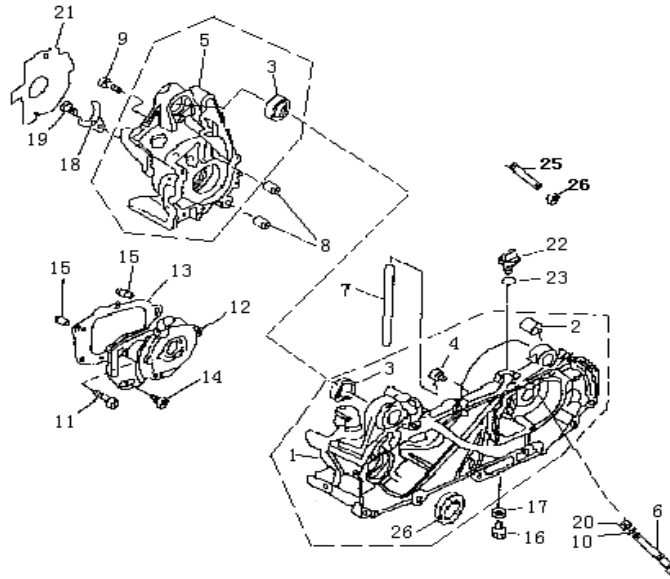


Table of content - Motor

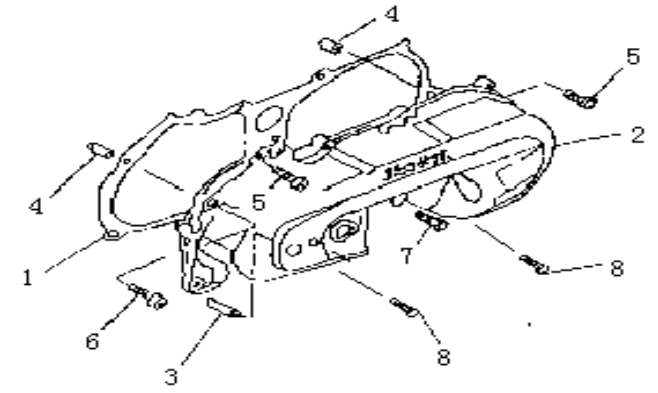
E01 Cylinder head assy



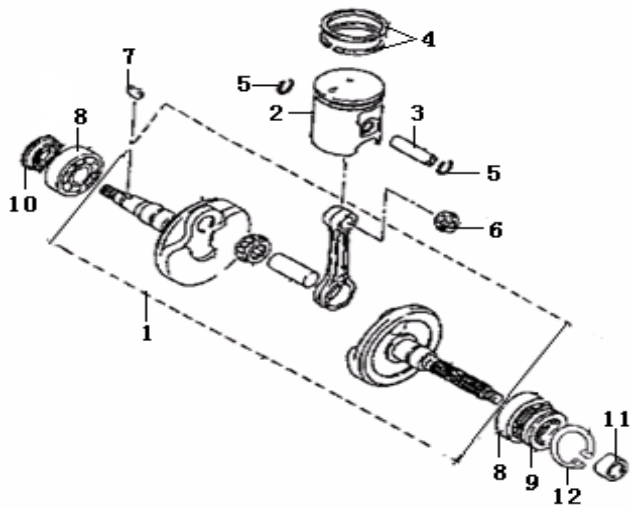
E02 Crankcase assy



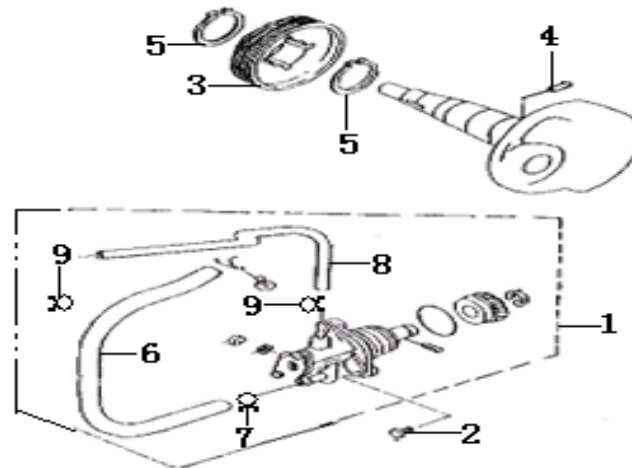
E03 Sidecover assy



E04 Piston crankshaft connection rod assy



E05 Oil pump assy



E06 Air cooling system

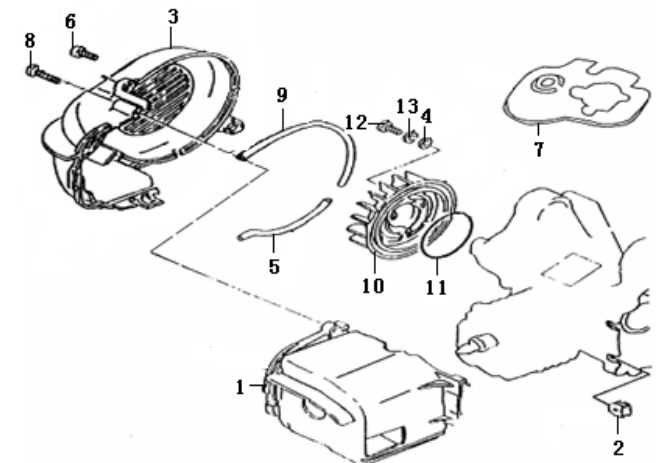
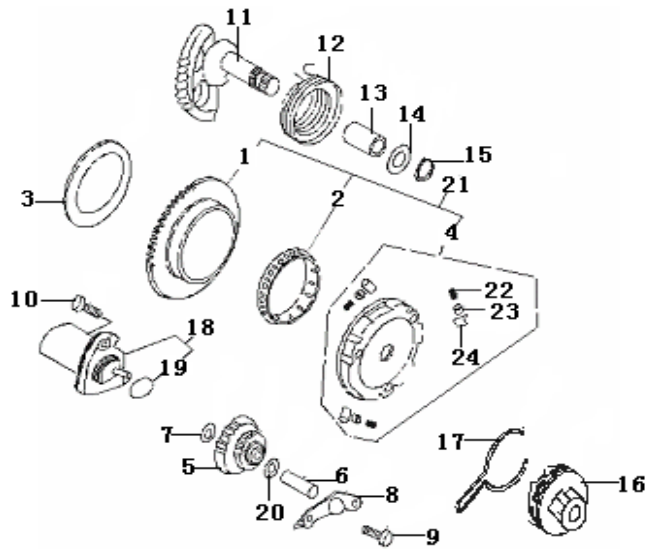
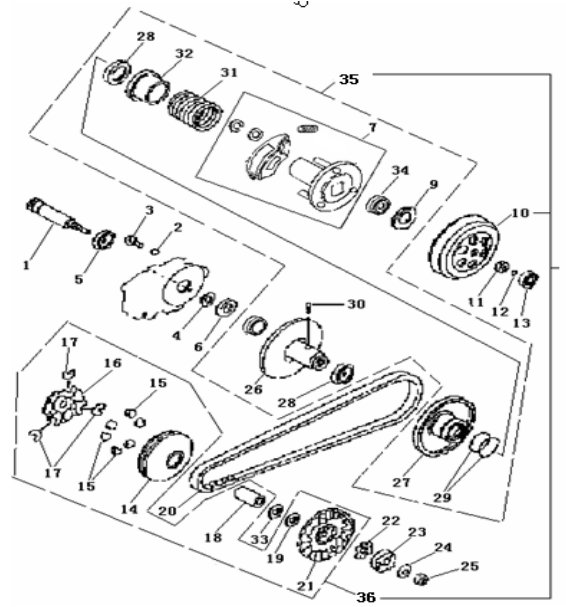


Table of content - Motor

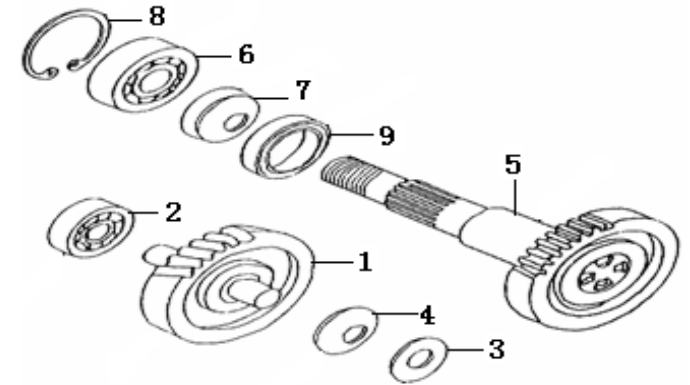
E07 Kick starter assy



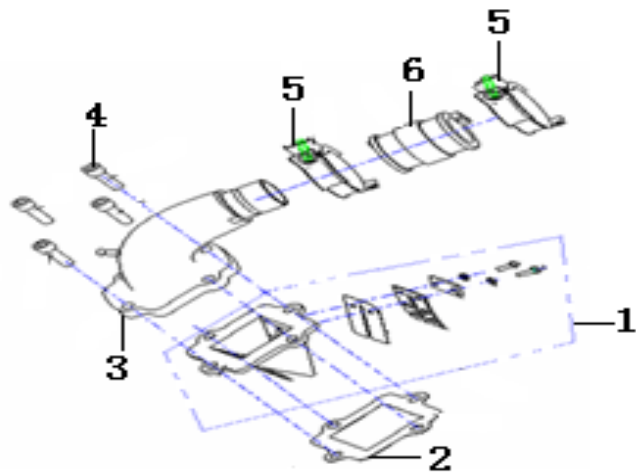
E08 Clutch assy



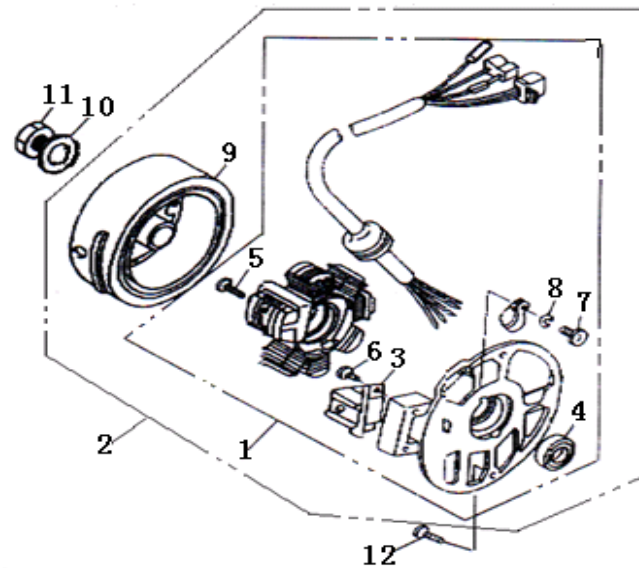
E09 Transmission system assy



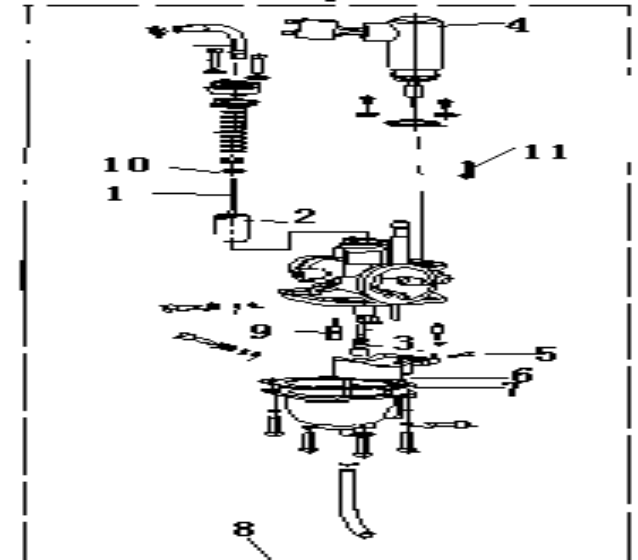
E10 Reed valve assy



E11 Magneto assy



E12 Carburator assy – with heater

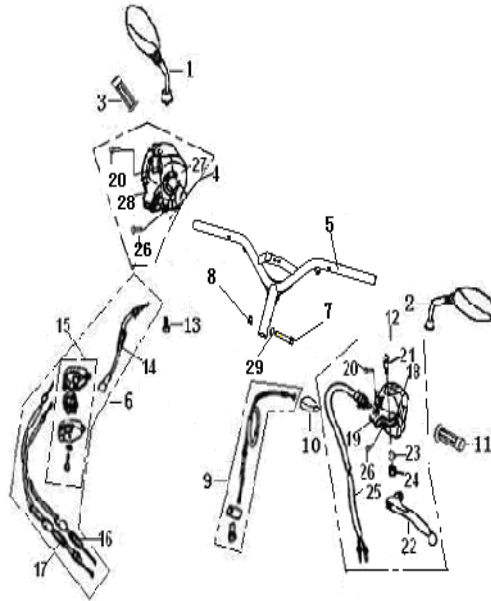


F01

STEERING

| NO. | CODE | DESCRIPTION | QTY. |
|-----|--------------|-------------------------------|------|
| 1 | 40470BMBT002 | REAR VIEW MIRROR ASSY.RH. | 1 |
| 2 | 40460BMBT002 | REAR VIEW MIRROR ASSY.LH | 1 |
| 3 | 40200J4AT000 | GRIP ASSY. THROTTLE | 1 |
| 4 | 40600BN0T000 | RIGHT HANDLE SWITCH, 2 ASSY. | 1 |
| 5 | 40100BSAT000 | JOINTING ASSY. HANDLE BAR | 1 |
| 6 | 40300B20T001 | CABLE ASSY. THROTTLE (NEW) | 1 |
| 7 | B01591004565 | BOLT 10×1.25×45MM | 1 |
| 8 | B04171012555 | NUT 10×1.25MM | 1 |
| 9 | 40270B20T001 | CABLE COMP., REAR. BRAKE | 1 |
| 10 | 40008BM0T000 | PROTECTOR,, REAR. BRAKE CABLE | 1 |
| 11 | 40001J4AT000 | GRIP, LH. | 1 |
| 12 | 40500BSAT000 | LEFT HANDLE SWITCH ,1 ASSY. | 1 |
| 13 | B02000501025 | PAN HEAD SCREW 5×10MM | 1 |
| 14 | 40306B20T000 | CABLE THROTTLE | 1 |
| 15 | 40340B20T001 | JUNCTION BOX | 1 |
| 16 | 40308B20T000 | OIL PUMP LINE | 1 |
| 17 | 40307B20T001 | CARBURETOR LINE | 1 |
| 18 | 40510BM0T000 | LEFT HANDLE SWITCH | 1 |
| 19 | 40520BM0T000 | L. SWITCH FIXING SEAT | 1 |
| 20 | B02000502525 | PAN HEAD SCREW 5X25 | 2 |
| 21 | 40004BMAT000 | SCREW M5 | 1 |
| 22 | 40002B20T000 | LEFT LEVER | 1 |
| 23 | B07000000505 | WASHER 5MM | 1 |
| 24 | B04000500055 | NUT 5MM | 1 |
| 25 | 91700BMAT000 | STOP SWITCH ASSY. | 1 |
| 26 | B02000502025 | PAN HEAD SCREW 5X20MM | 2 |
| 27 | 40610BN0T000 | RIGHT HANDLE SWITCH, 2 | 1 |
| 28 | 40620BN0T000 | SWITCH FIXING R. | 1 |
| 29 | 40278J4AT000 | LIMITING SET | 1 |

Notes

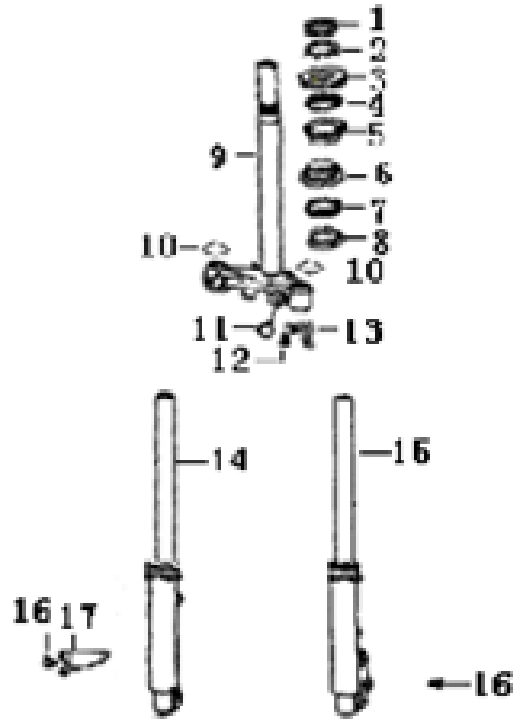


F02

FRONT FORK

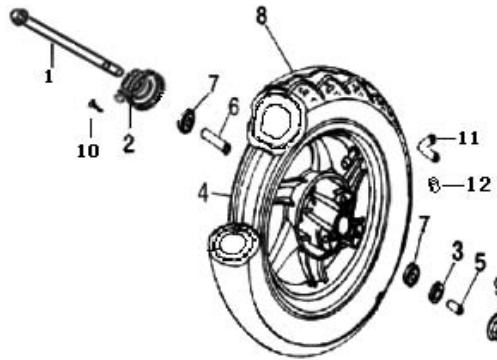
| NO. | CODE | DESCRIPTION | QTY. |
|-----|--------------|--------------------------|------|
| 1 | 43008J0ET000 | LOCK NUT | 1 |
| 2 | 43007B20T000 | WASHER | 1 |
| 3 | 43001B20T000 | INNER RACE UPPER BEARING | 1 |
| 4 | B06010110000 | STEEL BALL 3.969MM | 25 |
| 5 | 43002B20T000 | OUTER RACE UPPER BEARING | 1 |
| 6 | 43003B20T000 | OUTER RACE LOWER BEARING | 1 |
| 7 | B06010140000 | STEEL BALL 4.763MM | 21 |
| 8 | 43004B20T000 | INNER RACE LOWER BEARING | 1 |
| 9 | 43100BSAT000 | FRONT FORK ASSY | 1 |
| 10 | 43215BMAT000 | CLIP | 2 |
| 11 | B01591003065 | BOLT 10X1.25X30MM | 2 |
| 12 | B01090601265 | BOLT 6X12MM | 1 |
| 13 | 43021BMBT000 | COVER, ANTI-DUST | 1 |
| 14 | 43300B20T000 | FR. SUSPENSION ASSY RH | 1 |
| 15 | 43200B20T000 | FR. SUSPENSION ASSY LH. | 1 |
| 16 | B01070601665 | BOLT 6X16MM | 2 |
| 17 | 43150BMAT000 | CABLE HOLDER | 1 |
| 18 | 43021BM0T003 | BRAKE HOSE HOLDER, 1 | 1 |

Notes



F03**FRONT WHEEL**

| NO. | CODE | DESCRIPTION | QTY. | Notes |
|-----|--------------|-----------------------------------|------|------------------------|
| 1 | 44005B20T001 | AXLE, FRONT WHEEL | 1 | |
| 2 | 44200B20TBH1 | SPEEDO GEAR ,BLACK BH | 1 | for all color vehicle |
| 3 | 44300B20T000 | OIL SEAL | 1 | |
| 4 | 44102B20TBH1 | WHEEL HUB, FRONT, BLACK BH 12×2.5 | 1 | 12×2.5;for all vehicle |
| 5 | 44004B20T000 | BUSHING RING | 1 | |
| 6 | 44006B20TT10 | SPACER, BEARING | 1 | |
| 7 | B12040100900 | BEARING 6200 | 2 | |
| 8 | B140105C12AB | TIRE 100/60-12(E4 75R-0004010) | 1 | |
| 9 | B04171012554 | NUT 10X1.25MM | 1 | |
| 10 | B02020501624 | SCREW 5X16MM | 1 | |
| 11 | B1403Z2011C0 | VALVE | 1 | |
| 12 | B1404Z2011C0 | CAP, VALVE | 1 | |

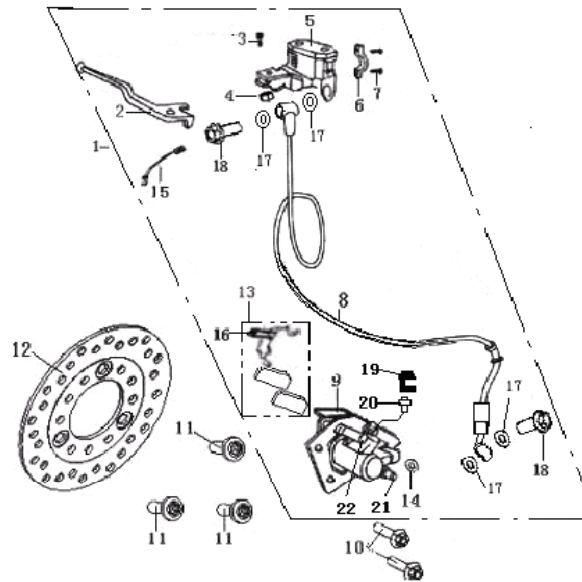


F04

DISC BRAKE ASSY. TIL 12 TOMMER HJUL

| NO. | CODE | DESCRIPTION | QTY. |
|-----|--------------|--|------|
| 1 | 45000BSAT001 | DISK BRAKE ASSY COMP.. | 1 |
| 2 | 40014J3AT000 | FRONT BRAKE LEVER | 1 |
| 3 | 40015J1CT000 | LEVER MOUNTING SCREW | 1 |
| 4 | B04160600065 | NUT 6MM | 1 |
| 5 | 45400BMBTB30 | RESERVOIR CUM MASTER CYLINDER (DISC BRAKE) | 1 |
| 6 | 45023J1DT000 | MASTER CYLINDER BRACKET | 1 |
| 7 | B01070602365 | BOLTM 6X23 | 2 |
| 8 | 45200BSAT001 | HOSE ASSY, BRAKE | 1 |
| 9 | 45500B20TB31 | CALIPER ASSY. | 1 |
| 10 | 45039J4FT000 | BOLT | 2 |
| 11 | 45036B20T000 | BOLT | 3 |
| 12 | 45033BM0TC11 | BRAKE DISC,SILVER | 1 |
| 13 | 45001B14001Z | BRAKE PAD KIT . | 1 |
| 14 | 45300J3AT000 | STOP SWITCH ASSY. | 1 |
| 15 | 45651BMBT000 | BANJO BOLT | 2 |
| 16 | 45653B20T000 | WASHER | 4 |

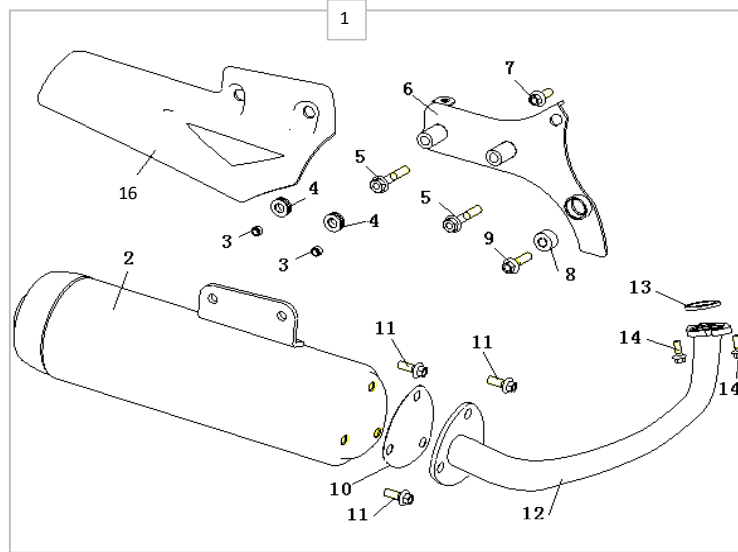
Notes



F05

MUFFLER(30/45KM/H)

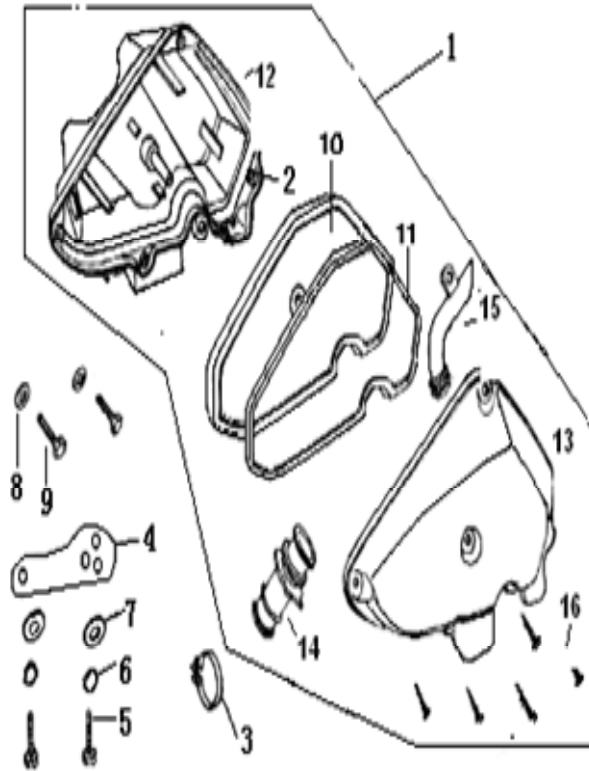
| NO. | CODE | DESCRIPTION | QTY. | Notes |
|-----|--------------|--|------|------------------|
| 1 | 47023BSAT000 | MUFFLER ASSY.(with catalyst) | 1 | |
| 2 | 47200BSAT000 | MUFFLERCANISTERASSY. (MARK:E9 QJ B41) | 1 | |
| 3 | 47033BSAT000 | SEAL WASHER | 2 | |
| 4 | 47028BSAT000 | RUBBER SET | 2 | |
| 5 | B01070804065 | BOLT 8×40MM | 2 | |
| 6 | 47120BSAT000 | MUFFLER FIXING PLATE | 1 | |
| 7 | B01070802065 | BOLT 8×20MM | 1 | |
| 8 | 47039B20T000 | MUFFLER BUSH | 1 | |
| 9 | B01070804065 | BOLT 8×40MM | 1 | |
| 10 | 47121B20T000 | GASKET, MUFFLER | 1 | |
| 11 | B01070802065 | BOLT 8×20MM | 3 | |
| 12 | 47500BSAT001 | JOINTINGASSY, EXHAUST(MARK: B41-45) | 1 | 45KM/H |
| 12 | 47500BSAT002 | JOINTINGASSY, EXHAUST | 1 | 30km/h |
| 13 | 47800B20T000 | GASKET, EXHAUST PIPE | 1 | |
| 14 | B01070601665 | BOLT 6×16MM | 2 | |
| 15 | 47402BSAT000 | RUBBER SET | 1 | Ikke illustreret |
| 16 | 47013BSAT000 | MAT,CALORIC REFLECTED | 1 | |



F06

AIR CLEANER

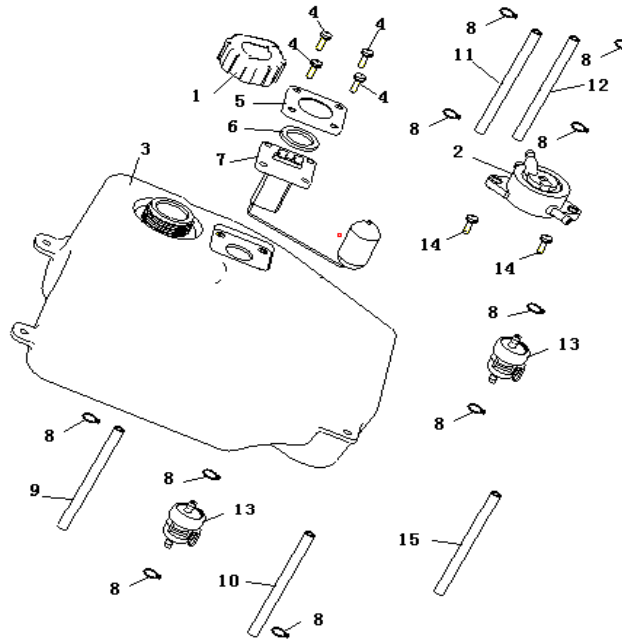
| NO. | CODE | DESCRIPTION | QTY. | Notes |
|-----|--------------|------------------------|------|-------|
| 1 | 49500B20T001 | AIR CLEANER ASSY | 1 | |
| 2 | 49004B20T000 | BUSH | 2 | |
| 3 | 49350B20T000 | CLIP | 1 | |
| 4 | 49361B20T001 | PLATE | 1 | |
| 5 | B02000501625 | SCREW 5X16MM | 2 | |
| 6 | B07000000505 | WASHER SPRING 5MM | 2 | |
| 7 | B07030000505 | WASHER 5MM | 2 | |
| 8 | B07020000605 | WASHER 6MM | 2 | |
| 9 | B01090602565 | BOLT 6X25MM | 2 | |
| 10 | 49202B20T000 | FILTER | 1 | |
| 11 | 49103B20T000 | SEAL LOOP | 1 | |
| 12 | 49101B20T000 | CASE, AIR CLEANER | 1 | |
| 13 | 49401B20T000 | CAP, AIR CLEANER | 1 | |
| 14 | 49005B20T000 | PIPE,AIR OUT | 1 | |
| 15 | 49002B20T000 | PIPE,AIR IN | 1 | |
| 16 | B05074201905 | TAPPING SCREW 4.2X19MM | 5 | |



F07

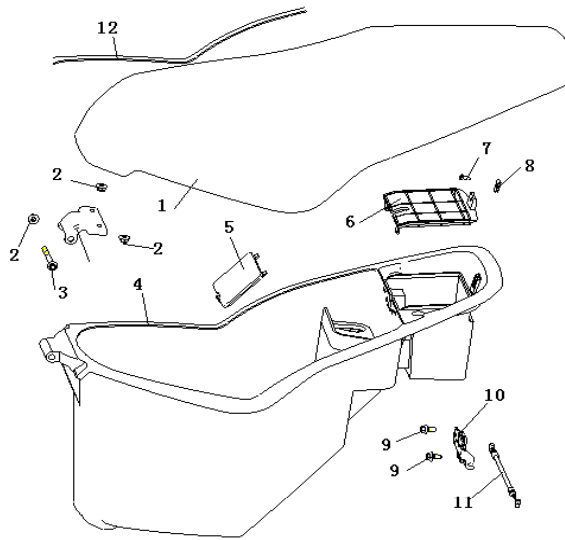
FUEL TANK

| NO. | CODE | DESCRIPTION | QTY. | Notes |
|-----|--------------|--|------|-------|
| 1 | 50200BSAT000 | LID FUEL TANK | 1 | |
| 2 | 50850BSAT000 | FUEL PUMP | 1 | |
| 3 | 50100BSAT000 | BODY, FUEL TANK (MARK:QJTA01 E3 97/24/6 1002) | 1 | |
| 4 | B13140601665 | BOLT ASSY. 6X16MM | 4 | |
| 5 | 50003B0ET000 | SENSOR BOARD | 1 | |
| 6 | 50004B0ET000 | GLUE MAT | 1 | |
| 7 | 50800BSAT000 | SENSOR ASSY. | 1 | |
| 8 | 50307BM0T000 | CLIP 8MM | 8 | |
| 9 | B16010C21201 | HOSE 1 - 4.5×2×120MM | 1 | |
| 10 | B16010C23001 | HOSE 2 - 4.5×2×300MM | 1 | |
| 11 | B16010C23701 | HOSE 3 - 4.5×2×370MM | 1 | |
| 12 | B16010C23501 | HOSE 4 - 4.5×2×350MM | 1 | |
| 13 | 50340J0ET000 | FILTER,FUEL | 2 | |
| 14 | B01090601665 | BOLT ASSY. 6X16MM | 2 | |
| 15 | B16010C21701 | HOSE 5 - 4.5×2×170MM | 1 | |



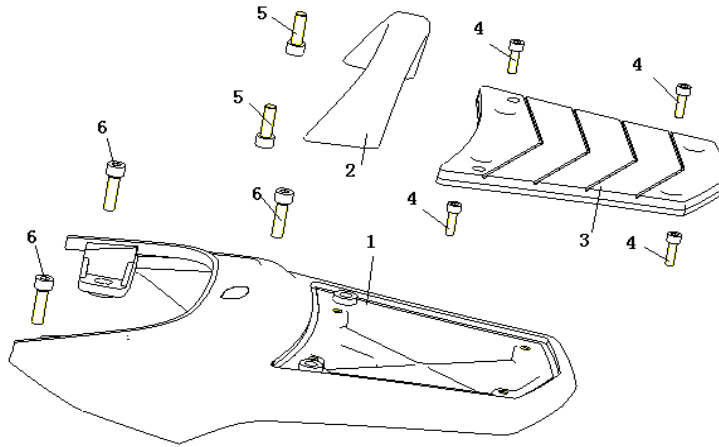
**F08
SEAT**

| NO. | CODE | DESCRIPTION | QTY. | Notes |
|-----|--------------|--------------------------|------|-------|
| 1 | 51100BSAT000 | SEAT COMP.(KEEWAY) | 1 | |
| 2 | B04000600053 | NUT 6MM | 3 | |
| 3 | B01070607063 | BOLT 6X70MM | 1 | |
| 4 | 51004BSAT000 | HELMET BOX | 1 | |
| 5 | 51005BSAT000 | COVER MANUFACTURE IMFOR. | 1 | |
| 6 | 51003BSAT000 | CAP.BATTERY | 1 | |
| 7 | B05074201605 | SCREW 4.2X16MM | 1 | |
| 8 | 65801GB0T000 | CARD NUT | 1 | |
| 9 | B01090601265 | BOLT 6X12MM | 2 | |
| 10 | 58800BSAT000 | SEAT LOCK | 1 | |
| 11 | 58900BSAT000 | CORD DRAW SEAT | 1 | |
| 12 | 51012BSAT000 | RUBBER SEALING | 1 | |
| 13 | 05536B410005 | NOISE. CONTROL, 1 (DOT) | 1 | |
| 14 | 05536B410006 | NOISE. CONTROL, 2 (DOT) | 1 | |



F09**REAR SWINGING ARM**

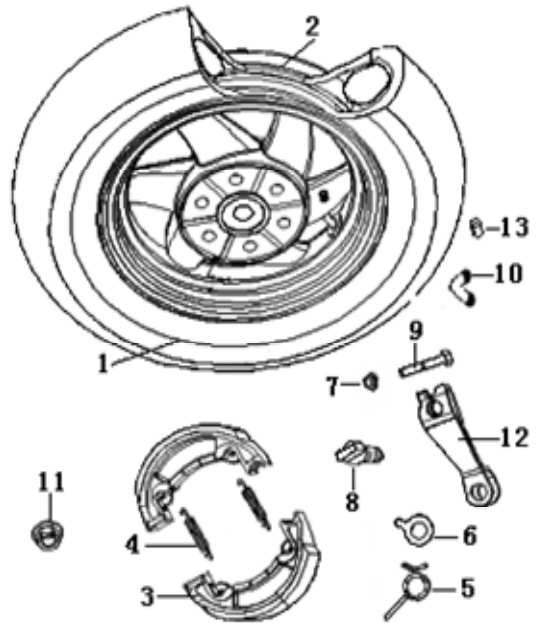
| NO. | CODE | | QTY. | Notes |
|-----|--------------|-------------------------|------|-----------------------|
| 1 | 52011BSATCA0 | REAR CARRIER(SILVER CA) | 1 | for all color vehicle |
| 2 | 52004BSATBH0 | HANDRAIL(BLACK BH) | 1 | for all color vehicle |
| 3 | 52005BSAT000 | COVER | 1 | |
| 4 | B02050602065 | BOLT 6X20MM | 4 | |
| 5 | B02050802565 | BOLT 8X25MM | 2 | |
| 6 | B02050803064 | BOLT 8X30MM | 2 | |
| 7 | B01090602065 | BOLT 6X20MM | 2 | |



F10

REAR WHEEL

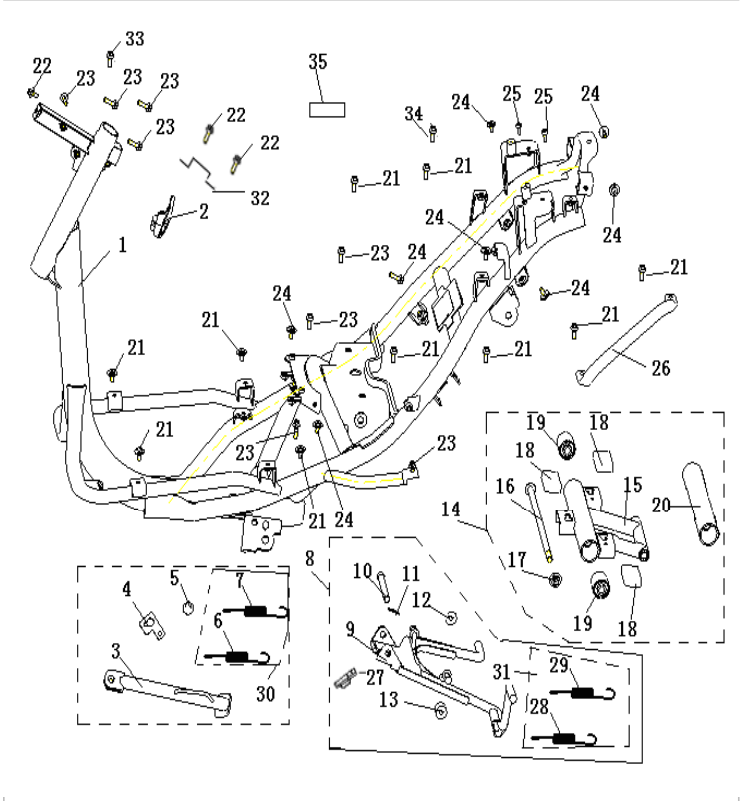
| NO. | CODE | DESCRIPTION | QTY. | Notes |
|-----|--------------|--|------|-------------------------|
| 1 | B140105C12AB | TIRE 100/60-12 E4 75R-0004010 | 1 | |
| 2 | 54100B20TBH1 | RIM ASSY., REAR WHEEL 2.5X12 (BLACK BH) | 1 | for all colored vehicle |
| 3 | 54200B00T000 | SHOE ASSY., REAR BRAKE MARK:PJ ST5G3-00 | 2 | |
| 4 | 54001B00T000 | SPRING, BRAKE SHOE | 2 | |
| 5 | 54008B0ET000 | RETURN SPRING | 1 | |
| 6 | 54002B00T000 | REAR INDICATOR | 1 | |
| 7 | B04170600054 | NUT 6MM | 1 | |
| 8 | 54003B0ET000 | CAMSHAFT, REAR BRAKE | 1 | |
| 9 | B01010603025 | BOLT 6X30MM | 1 | |
| 10 | B1403Z2011C0 | VALVE | 1 | |
| 11 | B04171415054 | NUT 14X1..5MM | 1 | |
| 12 | 54007B0ET000 | ROCKER,REAR BREAK | 1 | |
| 13 | B1404Z2011C0 | CAP, VALVE | 1 | |



F11

FRAME

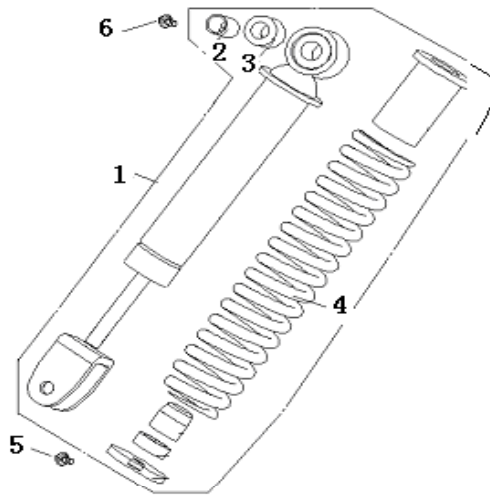
| NO. | CODE | DESCRIPTION | QTY. | Notes |
|-----|--------------|--------------------------|------|-------|
| 1 | 57100BSAT000 | JOINTING ASSY., FRAME | 1 | |
| 2 | 51011BMBT000 | POTHOOK, HELMET | 1 | |
| 3 | 58700BSAT000 | JOINTING ASSY., SINGLE | 1 | |
| 4 | 57006BM0T000 | HOOK | 1 | |
| 5 | 57005BSAT000 | BOLT | 1 | |
| 6 | 57010B20T000 | TENSION SPRING, 2 | 1 | |
| 7 | 58500BSAT000 | MAIN STAND ASSY. | 1 | |
| 8 | 58520BSAT000 | MAINSTAND ASSY. JOINTING | 1 | |
| 9 | 58501BSAT000 | SHAFT, MAIN STAND | 1 | |
| 10 | 63016B0DT000 | COTTER PIN | 1 | |
| 11 | 58505B20T000 | PROTECTOR, MAIN STAND | 1 | |
| 12 | 58504B20T000 | RUBBER, MAIN STAND | 1 | |
| 13 | 58506B20T000 | CLIP, BRAKE CABLE | 1 | |
| 14 | 58510BSAT000 | MIDSTAND SPRING, ASSY | 1 | |
| 15 | 58300BSAT000 | SUSPEND FRAME ASSY., | 1 | |
| 16 | 58320BSAT000 | SUSPENDFRAMEASSY, | 1 | |
| 17 | 58301B20T000 | AXLE, SUPPORT | 1 | |
| 18 | B04171012554 | NUT 10X1.25MM | 1 | |
| 19 | 58342B20T000 | DAMPER | 3 | |
| 20 | 58340B20T000 | BUFFER, ENGINE BRACKET | 2 | |
| 21 | 58343B20T000 | CENTER SPACER | 1 | |
| 22 | 57166BSAT000 | HANDLE | 1 | |
| 23 | 57001BSAT001 | SCUTCHEON | 1 | |
| 24 | 57002BSAT001 | PREVENT CHANGES | 1 | |
| 25 | B10000300600 | RIVET3X6 | 2 | |
| 26 | B01090601665 | BOLT 6X16MM | 11 | |
| 27 | B01090601265 | BOLT 6X12MM | 8 | |
| 28 | B01070602565 | BOLT 6X25MM | 1 | |
| 29 | B13060601405 | BOLT 6X14MM | 4 | |
| 30 | B13010601405 | BOLT 6X14MM | 2 | |
| 31 | 95701JCCT000 | ANTI-THEFT | 1 | |



F12

REAR SHOCK ABSORBER ASSY.

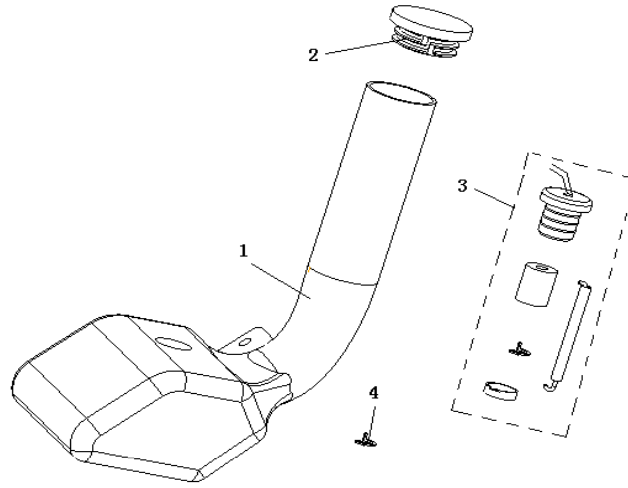
| NO. | CODE | DESCRIPTION | QTY. | Notes |
|-----|--------------|------------------------|------|-------|
| 1 | 63000B20TCA0 | ABSORBER ASSY.(SILVER) | 1 | |
| 2 | 63007B20T000 | BUSH | 1 | |
| 3 | 63009B20T000 | GASKET | 1 | |
| 4 | 63001B20TCA0 | SPRING | 1 | |
| 5 | B01070803065 | BOLT 8X30MM | 1 | |
| 6 | B01401004065 | BOLT 10X1.25X 40MM | 1 | |



F13

OIL TANK ASSY.

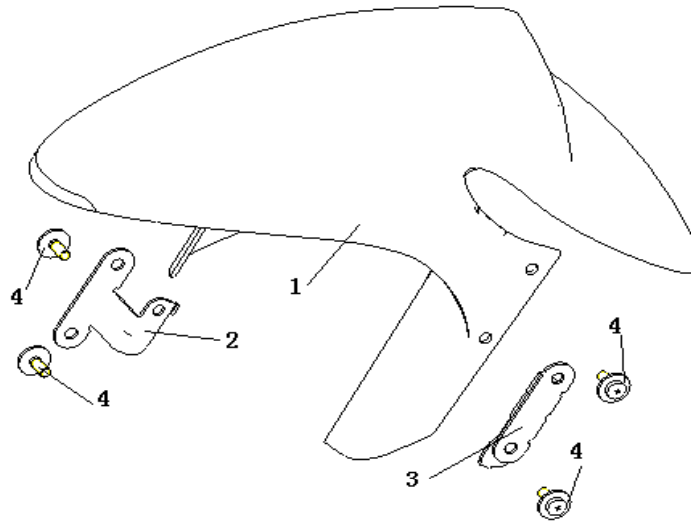
| NO. | CODE | DESCRIPTION | QTY. | Notes |
|-----|--------------|----------------------|------|-----------------|
| 1 | 64001BSAT000 | OIL TANK | 1 | |
| 2 | 64091B20T000 | CAP, OIL TANK | 1 | with waterproof |
| 3 | 64100B20T000 | SENSOR, OIL POSITION | 1 | |
| 4 | 64002B20T000 | CLIP 8.5MM | 1 | |



F14

FRONT FENDER ASSY.

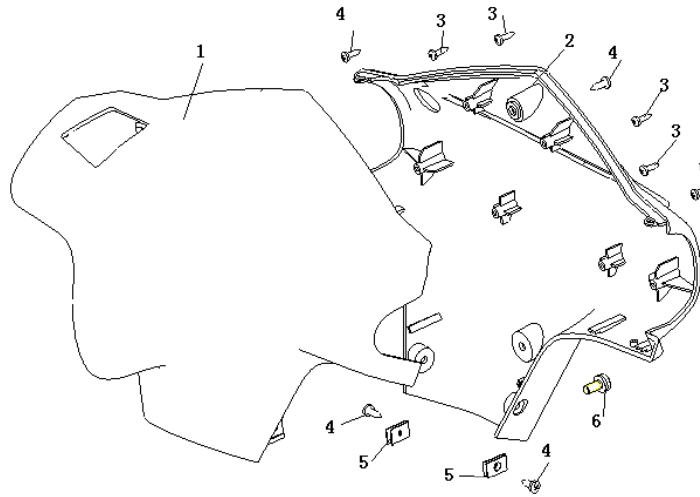
| NO. | CODE | DESCRIPTION | QTY. | Notes |
|-----|--------------|-------------------------------|------|----------------|
| 1 | 65101BSATBH0 | FENDER ,FRONT, BLACK BH | 1 | for BH vehicle |
| 1 | 65101BSATM70 | FENDER ,FRONT, LIME M7 | 1 | for M7 vehicle |
| 2 | 65120B20T000 | FENDER ,FRONT, L.H.BRACKET | 1 | |
| 3 | 65110B20T000 | FENDER ,FRONT, L.H.BRACKET | 1 | |
| 4 | 65114BMBT000 | FENDER SCREW,FRONT | 4 | |



F15

HANDLE COVER ASSY.

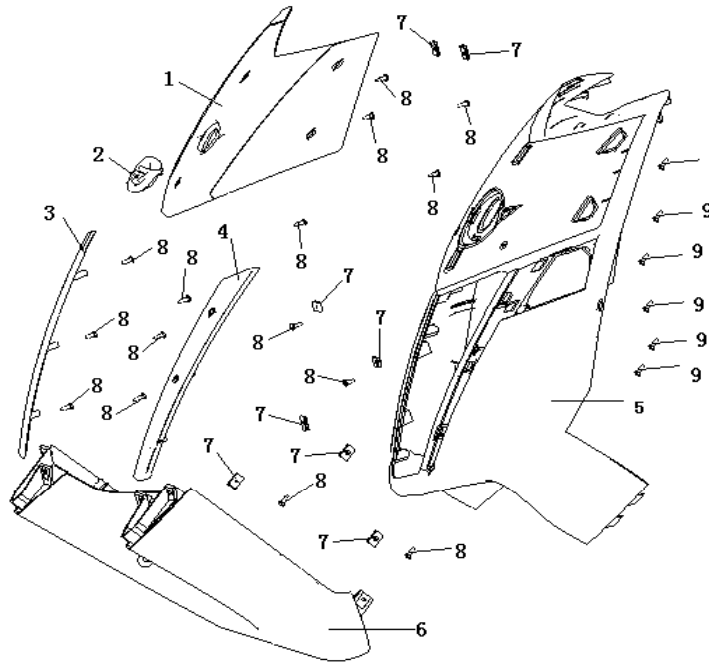
| NO. | CODE | DESCRIPTION | QTY. | Notes |
|-----|--------------|---------------------------|------|-----------------------|
| 1 | 65201BSATBH0 | HANDLECOVER, FRONT, BLACK | 1 | for all color vehicle |
| 2 | 65202BSAT000 | HANDLE COVER, BACK | 1 | |
| 3 | B05074001205 | TAPPINGSCREW, 4×12MM | 4 | |
| 4 | B05074201305 | TAPPINGSCREW, 4.2×13MM | 3 | |
| 5 | 65801GB0T000 | CARD NUT | 2 | |
| 6 | B13010601605 | SCREW W/WASHER 6X16MM | 1 | |
| 7 | B05074801605 | TAPPINGSCREW, 4.8×16MM | 2 | Ikke illustreret |



F16

FRONT COVER ASSY.

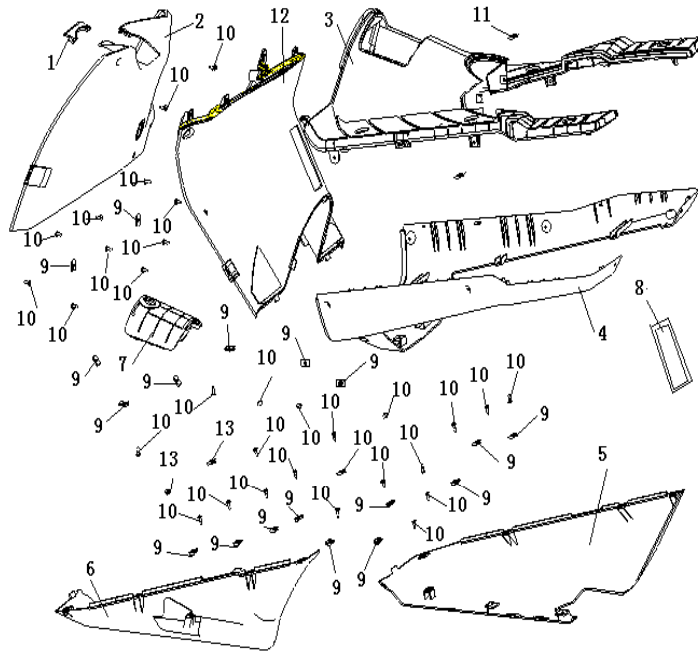
| NO. | CODE | DESCRIPTION | QTY. | Notes |
|-----|----------------------|---------------------------------------|------|------------------------------|
| 1 | 65301BSATBH0 | FACEPLATE,BLACK | 1 | for Black BH |
| 1 | 65301BSATBH0/ M70 | FACEPLATE,BLACK BH/LIME M7 | 1 | dual color,for M7 vehicle |
| 2 | 65365BSAT000 | LOGO | 1 | |
| 3 | 65309BSATBH0 | FACEPLATE,ADORN.R(BLACK | 1 | |
| 3 | 65309BSATM70 | FACEPLATE,ADORN.R(LIME M7) | 1 | |
| 4 | 65303BSATBH0 | FACEPLATE,ADORN.L(BLACK | 1 | |
| 4 | 65303BSATM70 | FACEPLATE,ADORN.L(LIME M7) | 1 | |
| 5 | 65315BSAT000 | MOTHERBOARD, FRONT | 1 | |
| 6 | 65302BSATBH0 | MOTHERBOARD, FRONT COVER(BLACK BH) | 1 | |
| 6 | 65302BSATM70 | MOTHERBOARD, FRONT COVER(LIME M7) | 1 | |
| 7 | 65801GB0T000 | CARD NUT | 8 | |
| 8 | B05074201305 | TAPPING SCREW 4.2X13MM | 18 | |
| 9 | B05074201005 | TAPPING SCREW 4.2X10MM | 4 | |
| 10 | B05074201605 | TAPPING SCREW 4.2X13MM | 2 | Ikke illustreret |



F17

LEG SHIELD ASSY.

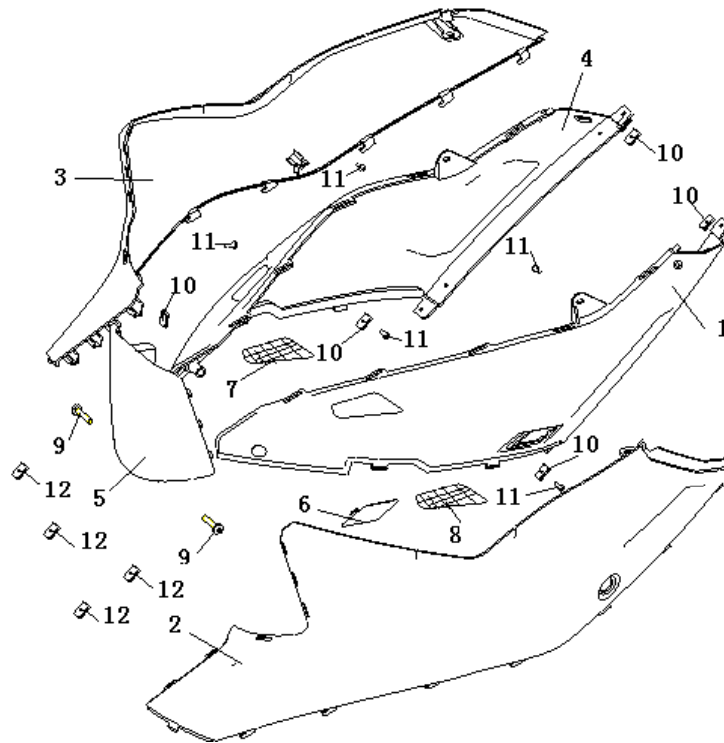
| NO. | CODE | DESCRIPTION | QTY. | Notes |
|-----|--------------|-------------------------|------|-------|
| 1 | 65419BSATBH0 | COVER UP ,CAT,BLACK BH | 1 | |
| 1 | 65419BSATM70 | COVER UP ,CAT,LIME M7 | 1 | |
| 2 | 65404BSATBH0 | COVER UP I BLACK BH | 1 | |
| 2 | 65404BSATM70 | COVER UP I LIME M7 | 1 | |
| 3 | 65401BSAT000 | FOOTPLATE | 1 | |
| 4 | 65408BSATBH0 | COVER.JOIN BLACK BH | 1 | |
| 4 | 65408BSATM70 | COVER.JOIN LIME M7 | 1 | |
| 5 | 65407BSAT000 | COVER LOWER R | 1 | |
| 6 | 65406BSAT000 | COVER LOWER L | 1 | |
| 7 | 65451BSAT000 | FUEL COVER | 1 | |
| 8 | 65403BSAT000 | INSPECT COVER | 1 | |
| 9 | 65801GB0T000 | CARD NUT | 22 | |
| 10 | B05074201605 | TAPPING SCREW, 4.2×16MM | 27 | |
| 11 | 65802BSAT000 | CARD NUT 6MM | 2 | |
| 12 | 65402BSAT000 | COVER UP II | 1 | |
| 13 | B05074201305 | TAPPING SCREW, 4.2×13MM | 12 | |



F18

FRAME COVER

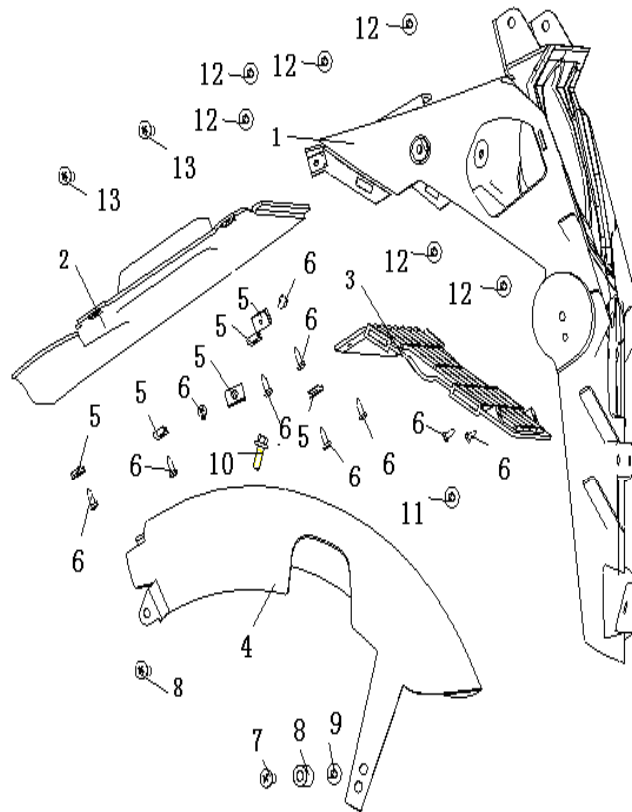
| NO. | CODE | DESCRIPTION | QTY. | Notes |
|-----|--------------|-------------------------|------|------------------|
| 1 | 65602BSAT000 | COVER UP L | 1 | |
| 2 | 65601BSATBH0 | COVER DOWN L, BLACK BH | 1 | |
| 2 | 65601BSATM70 | COVER DOWN L, LIME M7 | 1 | |
| 3 | 65603BSATBH0 | COVER UP R, BLACK BH | 1 | |
| 3 | 65603BSATM70 | COVER UP R, LIME M7 | 1 | |
| 4 | 65604BSAT000 | COVER DOWN R | 1 | |
| 5 | 65605BSAT000 | COVER JION LR | 1 | |
| 6 | 65607BSAT000 | PESPECTIVE COVER | 1 | |
| 7 | 65634BSAT000 | WIRE I | 1 | |
| 8 | 65635BSAT000 | WIRE II | 1 | |
| 9 | B02000603024 | SCREW, 6X30MM | 2 | |
| 10 | 65801GB0T000 | CARD NUT | 5 | |
| 11 | B05074201305 | TAPPING SCREW, 4.2x13MM | 2 | |
| 12 | 65311B50T000 | CARD NUT | 4 | |
| 13 | B05074801305 | TAPPING SCREW, 4.8x13MM | 1 | Ikke illustreret |
| 14 | B05074201605 | TAPPING SCREW, 4.2x13MM | 2 | Ikke illustreret |
| 15 | B05074802505 | TAPPING SCREW, 4.8x25MM | 1 | Ikke illustreret |



F19

REAR FENDER

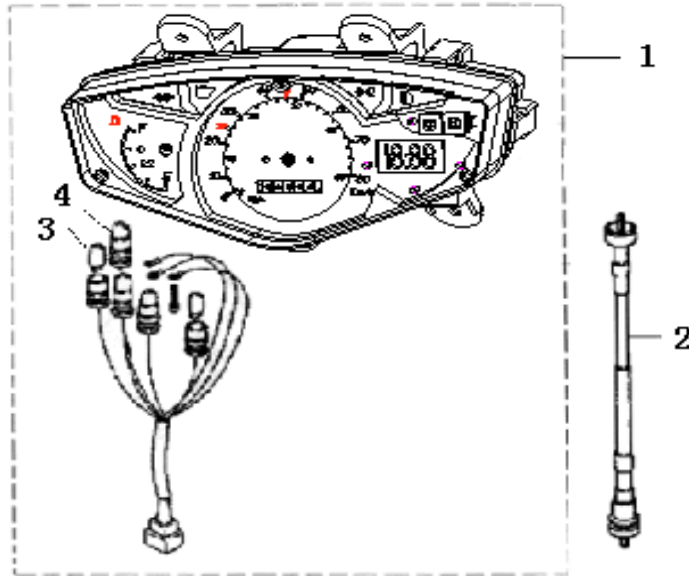
| NO. | CODE | DESCRIPTION | QTY. | Notes |
|-----|--------------|---------------------------|------|-------|
| 1 | 65701BSAT000 | FENDER, REAR(E11 020614) | 1 | |
| 2 | 65703BSAT000 | FENDER, INSIDE | 1 | |
| 3 | 65709BSAT000 | FENDER, REAR INSIDE | 1 | |
| 4 | 65702B20T000 | TAIL, REAR FENDER | 1 | |
| 5 | 65801GB0T000 | CARD NUT | 6 | |
| 6 | B05074201605 | TAPPINGSCREW, 4.2×16MM | 10 | |
| 7 | B01090604263 | BOLT 6X42MM | 1 | |
| 8 | 65763B20T000 | FIT BUSH,FENDER | 1 | |
| 9 | 65810B20T000 | FIT NUT ASSY,FENDER | 1 | |
| 10 | B01090601265 | BOLT 6X12MM | 1 | |
| 11 | B04000500053 | NUT 5MM | 3 | |
| 12 | B04070500055 | NUT 5MM | 6 | |
| 13 | B02000501605 | BOLT 5X16MM | 2 | |
| 14 | B05074001205 | TAPPINGSCREW, 4.0×12MM | 3 | |
| 15 | B05074201305 | TAPPINGSCREW, 4.2×13MM | 2 | |
| 16 | B07010000503 | WASHER 5MM | 6 | |



F20

SPEEDOMETER ASSY.

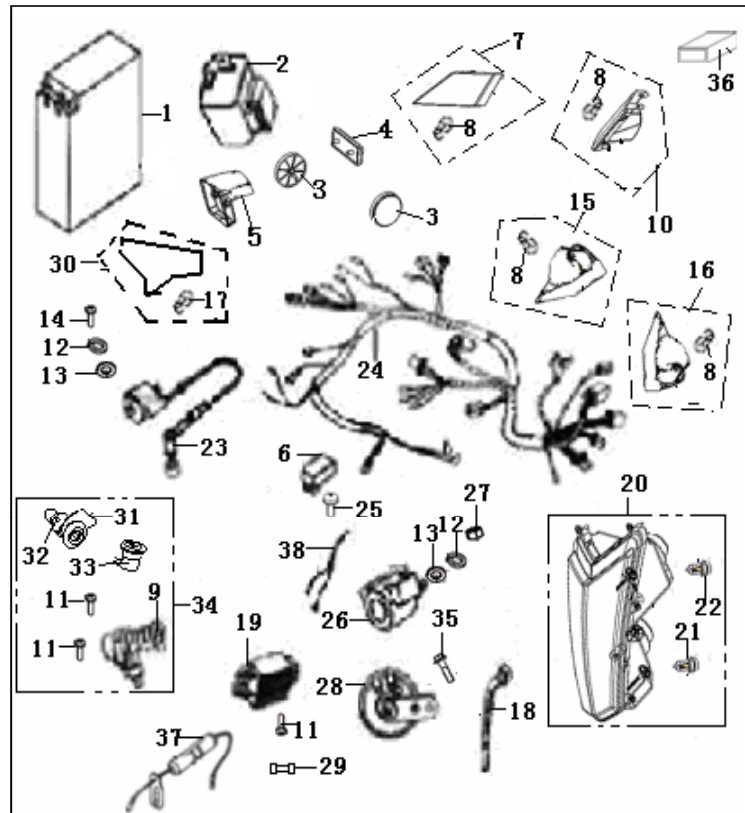
| NO. | CODE | DESCRIPTION | QTY. | Notes |
|-----|--------------|-------------------------|------|-------|
| 1 | 70000BSAT000 | SPEEDOMETER ASSY. | 1 | |
| 2 | 72900B20T001 | CABLE ASSY, speedometer | 1 | |
| 3 | 70001H70X000 | BULB 12V-2W | 5 | |
| 4 | 70002H70X000 | BULB 12V-2W | 1 | |



F21

ELECTRIC I

| NO. | CODE | DESCRIPTION | QTY. | Notes |
|-----|--------------|-------------------------------|------|------------------|
| 1 | 96100B20T000 | BATTERY 12V4AH | 1 | |
| 2 | 96400BSAT000 | FLASHER | 1 | |
| 3 | 86300BMBT000 | SIDE REFLECTOR(E11 | 2 | |
| 4 | 86500H90X000 | REAR REFLECTOR (E11 | 1 | |
| 5 | 82500BSAT000 | LICENSE PLATE LIGHT(E4 50R | 1 | |
| 6 | 97701BM0T001 | C.D.I. UNIT COMP.(MARK:61A) | 1 | |
| 7 | 81100BSAT000 | FRONT TURN LIGHT ,L(E4 50R | 1 | |
| 8 | 81004BSAT000 | LIGHT16W | 1 | Ikke illustreret |
| 9 | 88100BSAT000 | LOCK ASSY. STEERING | 1 | |
| 10 | 81300BSAT000 | FRONT TURN LIGHT ,R(E4 50R | 1 | |
| 11 | 08002B20T000 | BOLT | 2 | |
| 12 | B07000000604 | WASHER SPRING 6MM | 2 | |
| 13 | B07030000604 | WASHER 6MM | 2 | |
| 14 | B01070601665 | BOLT 6×16MM | 1 | |
| 15 | 81700BSAT000 | REAR TURN LIGHT,R(E4 50R | 1 | |
| 16 | 81500BSAT000 | REAR TURN LIGHT ,L(E4 50R | 1 | |
| 17 | 82005B20T000 | LIGHT,P21/5W | 1 | |
| 18 | 96001B20T000 | BAND | 8 | |
| 19 | 98801J0ET000 | RECTIFIER | 1 | |
| 20 | 80000BSAT000 | HEAD LIGHT (E4 0011759) | 1 | |
| 21 | 80002BMMT000 | LIGHT 35W/35W | 2 | |
| 22 | 81004B50T000 | LIGHT W5W | 1 | |
| 23 | 96200B20T000 | COIL ASSY.,IGNITION | 1 | |
| 24 | 92000BSAT000 | HARNES, WIRING | 1 | |
| 25 | B01090601665 | BOLT 6X16MM | 2 | |
| 26 | 94000BSAT000 | RELAY ASSY.,STARTER | 1 | |
| 27 | B04000600053 | NUT 6MM | 1 | |
| 28 | 95000BSAT000 | HORN ASSY.(E13 000612) | 1 | |
| 29 | 96810BSAT000 | FUSE | 1 | |
| 30 | 82000BSAT000 | REAR LIGHT(E4 50R 0011760) | 1 | |
| 31 | 88504B0DT000 | BASE LOCK | 1 | |
| 32 | 88501B0DT000 | LOCK | 1 | |
| 33 | 88400BSAT000 | LOCK FUEL TANK | 1 | |
| 34 | 88000BSAT000 | LOCK.ASSY | 1 | |
| 35 | B01090602065 | BOLT 6×12MM | 1 | |
| 36 | 96007K00P000 | JACKET.CDI UNIT | 1 | |
| 37 | 96800BSAT000 | FUSE COMP | 1 | Ikke illustreret |
| 38 | 92500BSAT000 | WIRE TAPPING | 1 | |

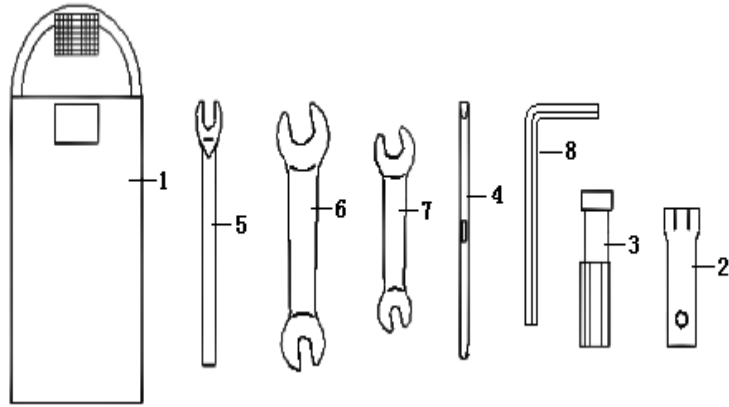


F22

TOOL KIT

| NO. | CODE | DESCRIPTION | QTY. |
|-----|--------------|----------------------|------|
| 1 | 02110G00P000 | BAG, TOOL KIT | 1 |
| 2 | 02101B20T000 | SOCKET, SPARK PLUG | 1 |
| 3 | 02104G00P000 | HANDLE, SCREW DRIVER | 1 |
| 4 | 02103G00P000 | DRIVER, DOUBLE-ENDED | 1 |
| 5 | 02108G00P000 | WRENCH | 1 |
| 6 | B20011301600 | WRENCH, DOUBLE-ENDED | 1 |
| 7 | B20011001200 | WRENCH, DOUBLE-ENDED | 1 |
| 8 | B20020600000 | SOCKET SPANNER | 1 |

Notes



F23

STICKERS

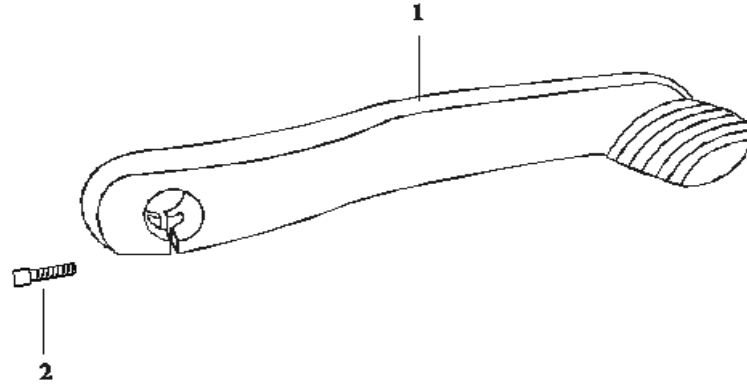
| NO. | CODE | DESCRIPTION | QTY. | Notes |
|-----|--------------|---------------------------|------|---------------------|
| 1 | 05511BSAT000 | STICKER 1, RIGHT SIDE | 2 | |
| 2 | 05519BSAT000 | STICKER, FENDER LEFT | 2 | |
| 3 | 05513BSATM70 | CRYSTALLINE STICKER, LIME | 1 | for Lime M7 vehicle |
| 3 | 05513BSATBH0 | CRYSTALLINE STICKER,BLACK | 1 | for BH,CL vehicle |



F24

ENGINE ATTACHMENT

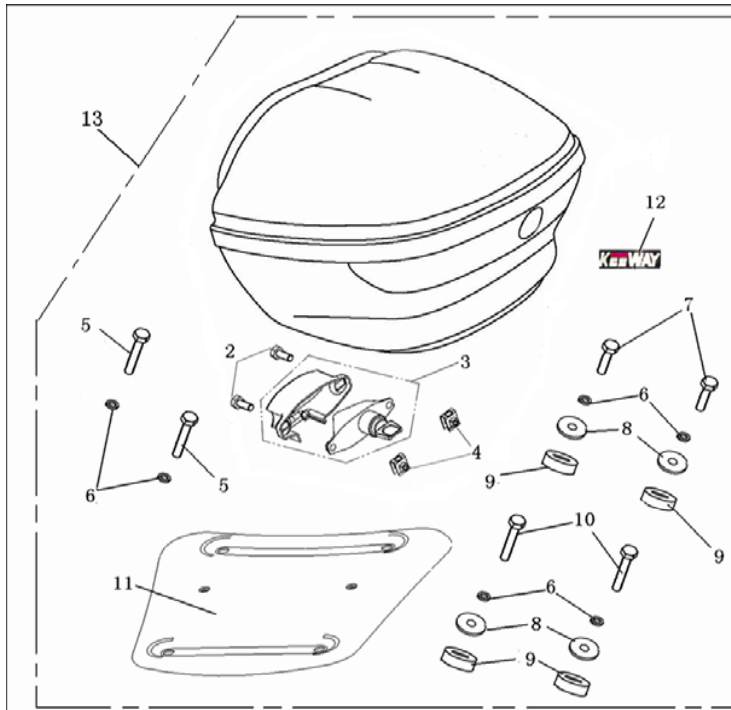
| NO. | CODE | DESCRIPTION | QTY. | Notes |
|-----|--------------|--------------|------|-------|
| 1 | 08351BM0TC10 | KICK STARTER | 1 | |
| 2 | B02050602565 | BOLT 6X25MM | 1 | |



F25

BACK BOX ASSY.

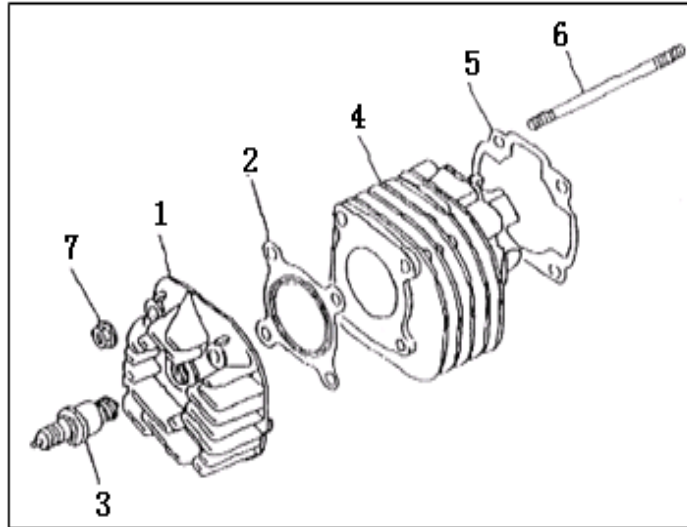
| NO. | CODE | DESCRIPTION | QTY. |
|-----|--------------|---------------------------|------|
| 2 | B01070601663 | BOLT 6X16MM | 2 |
| 3 | 88600BMBT000 | BACK BOX LOCK | 1 |
| 4 | 52910BMBT000 | NUT, CLIPPING 6MM | 2 |
| 5 | B01010602523 | BOLT 6X25MM | 2 |
| 6 | B07000000603 | SPRING WASHER 6MM | 6 |
| 7 | B01010601623 | BOLT 6X16MM | 2 |
| 8 | 52221BMBT000 | WASHER | 4 |
| 9 | 52222GB0T001 | PLATE WASHER | 4 |
| 10 | B01010603523 | BOLT 6X35MM | 2 |
| 11 | 52010BSAT000 | BACK BOX SEAT | 1 |
| 12 | 05591BMBT000 | BACK BOX STICKER | 1 |
| 13 | 52200BSATBH0 | BACK BOX ASSY. (BLACK BH) | 1 |



E01

CYLINDER HEAD ASSY

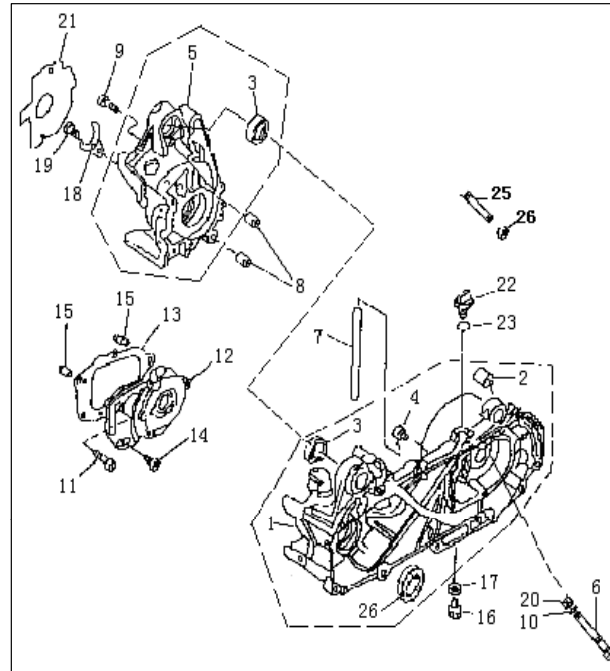
| NO | CODE | DESCRIPTION | QTY | Notes |
|----|---------------|-----------------------|-----|--------|
| 1 | 201200.066000 | HEAD, CYLINDER | 1 | |
| 2 | 30507B01F000 | GASKET, CYLINDER HEAD | 1 | |
| 3 | T1203BPR7ES | SPARK PLUG | 1 | BPR7ES |
| 4 | 204200.041000 | CYLINDER | 1 | |
| 5 | 204204.001000 | GASKET, CYLINDER | 1 | |
| 6 | 26107B01F910 | STUD BOLT | 4 | |
| 7 | 304290700063 | NUT | 4 | |



E02

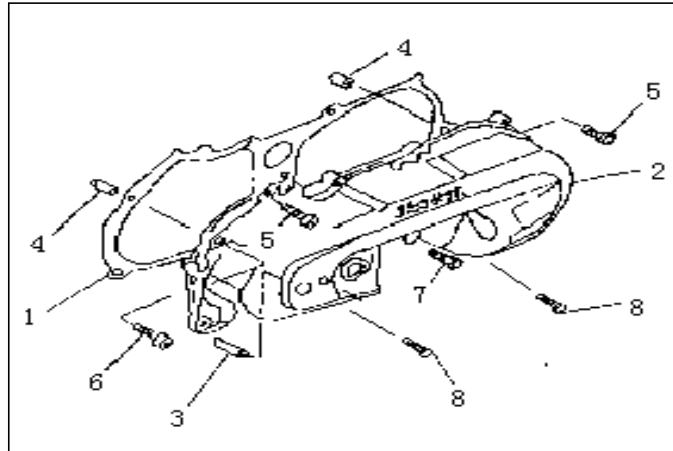
CRANKCASE ASSY

| NO | CODE | DESCRIPTION | QTY | Notes |
|----|---------------|--------------------------|-----|------------------|
| 1 | 26100B01F00B | CRANKCASE, LH | 1 | |
| 2 | 26108G02F000 | BUSH,ENGINE MOUNTING | 1 | |
| 3 | 207230.002000 | BUSH,ENGINE MOUNTING | 2 | |
| 4 | 26126G02F000 | BREATHER PLUG | 1 | |
| 5 | 206300.07600 | CRANKCASE, RH | 1 | |
| 6 | 26142G02F000 | BRAKE SHOE ANCHOR PIN AS | 1 | |
| 7 | 26105G02F000 | HOSE | 1 | |
| 8 | 26123G02F000 | DOWEL PIN | 2 | |
| 9 | B02270603564 | SCREW | 6 | |
| 10 | 14222J01F000 | O RING6.8X1.9 | 1 | |
| 11 | B01070603064 | BOLT | 2 | |
| 12 | 18101G02F001 | COVER, GEAR BOX | 1 | |
| 13 | 214201.001000 | GASKET, GEAR BOX | 1 | |
| 14 | B01070602264 | BOLT | 3 | |
| 15 | 26208J01F000 | DOWEL PIN | 2 | |
| 16 | 301310801605 | FLANGE BOLT | 1 | |
| 17 | 18105H03F000 | WASHER | 1 | |
| 18 | 26214G02F000 | HOLDER | 1 | |
| 19 | 301310601262 | BOLT M6X12 | 1 | |
| 20 | 304290800062 | NUT | 1 | |
| 21 | 206321.001000 | GASKET | 1 | |
| 22 | 206407.004083 | OIL PLUG | 1 | |
| 23 | 26102G02F000 | O-RING | 1 | |
| 24 | 26112G02F000 | SHAFT COLLAR | 1 | Ikke illustreret |
| 25 | 231215.001000 | shaft | 1 | |
| 26 | B04171012563 | NUT | 1 | |



E03**SIDECOVER ASSY**

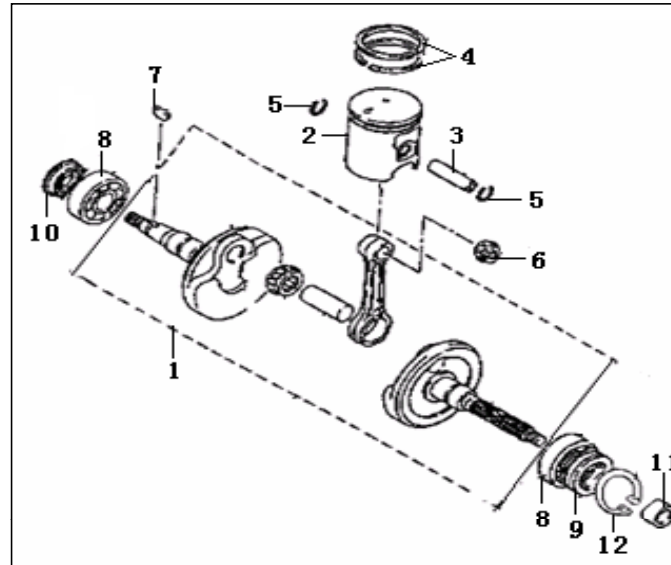
| NO | CODE | DESCRIPTION | QTY | Notes |
|----|---------------|--------------------|-----|-------|
| 1 | 207208.009000 | GASKET, SIDE COVER | 1 | |
| 2 | 207200.048082 | SIDE COVER | 1 | |
| 3 | 26128G02F000 | SHAFT | 1 | |
| 4 | 26208J01F000 | DOWEL PIN | 2 | |
| 5 | 301310602565 | SCREW M6X25 | 8 | |
| 6 | 301310603565 | SCREW | 2 | |
| 7 | 301310606565 | PAN HEAD SCREW | 1 | |
| 8 | 302460601265 | STOPPER | 1 | |



E04

PISTON CRANKSHAFT CONNECTING ROD ASSY

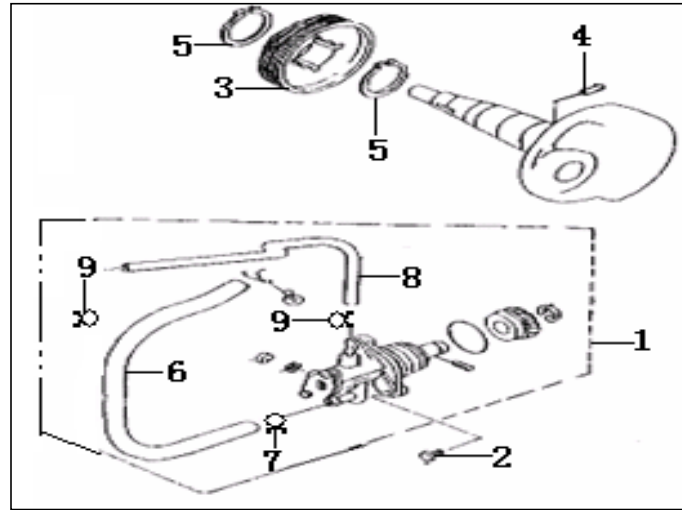
| NO | CODE | DESCRIPTION | QTY | Notes |
|----|---------------|------------------|-----|-------|
| 1 | 208100.023000 | CRANKSHAFT, ASSY | 1 | |
| 2 | 15100B09F000 | PISTON ASSY | 1 | |
| 3 | 15105B16F000 | PISTON PIN | 1 | |
| 4 | 15103B09F000 | PISTON RING | 2 | |
| 5 | 15111G02F000 | CIRCLIP | 2 | |
| 6 | 15110B16F000 | NEEDLE BEARING | 1 | |
| 7 | 15101B01F000 | WOODRUFF KEY | 1 | |
| 8 | B12016620453 | BEARING | 2 | SKF |
| 9 | 15213G02F000 | OIL SEAL | 1 | |
| 10 | 26215G02F000 | OIL SEAL ASSY | 1 | |
| 11 | 15214G02F000 | COLLAR | 1 | |
| 12 | 17308G02F000 | CIRCLIP | 1 | |



E05

OIL PUMP ASSY

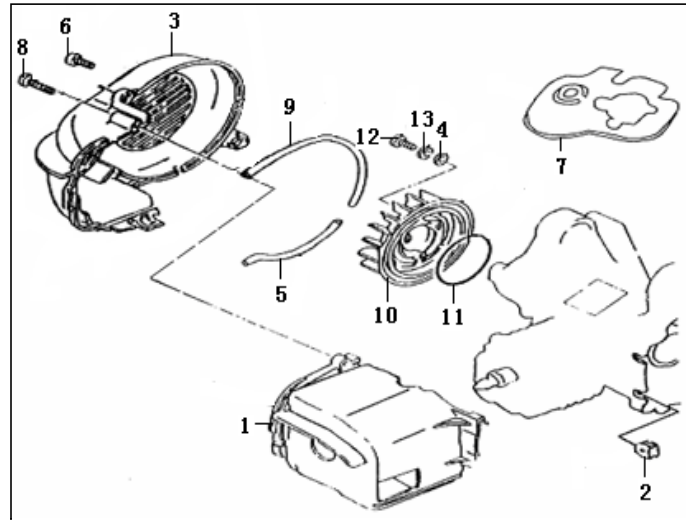
| NO | CODE | DESCRIPTION | QTY | Notes |
|----|---------------|-----------------|-----|-------|
| 1 | 219101.006000 | OIL PUMP ASSY | 1 | |
| 2 | B02000501463 | SCREW | 2 | |
| 3 | 15211G02F000 | PUMP DRIVE GEAR | 1 | |
| 4 | B090103014C0 | PIN | 1 | |
| 5 | 15106G02F910 | CIRCLIP | 2 | |
| 6 | 221405.103000 | HOSE,OIL INLET | 1 | |
| 7 | 19213G02F00A | HOSE CLIP | 2 | |
| 8 | 221405.104000 | HOSE,OIL OUTLET | 1 | |
| 9 | 19217G02F00A | HOSE CLIP | 2 | |



E06

AIR COOLING SYSTEM

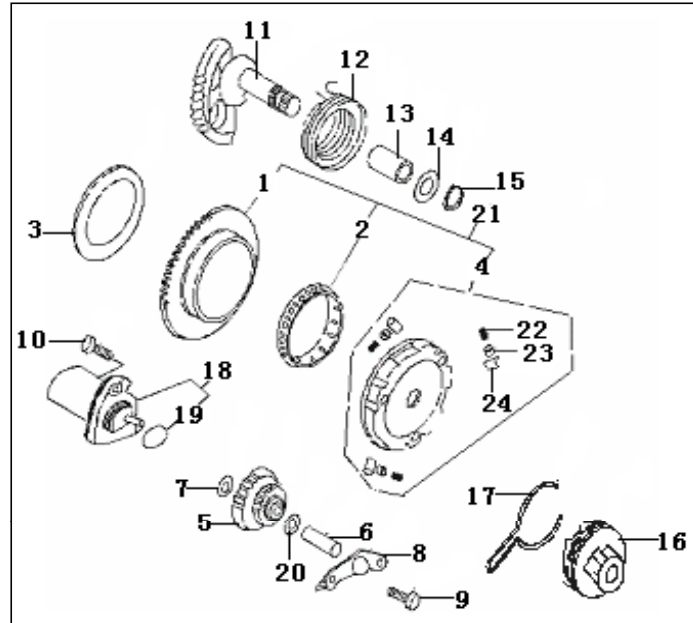
| NO | CODE | DESCRIPTION | QTY | Notes |
|----|--------------|---------------------|-----|-------|
| 1 | 20301B01F000 | COWLING, cylinder | 1 | |
| 2 | 20303G02F000 | GROMMET | 2 | |
| 3 | 20200B01F000 | COVER ASSY (FAN) | 1 | |
| 4 | B07030000600 | WASHER Ø 6 | 3 | |
| 5 | 20208G02F000 | BEADING (RUBBER) | 1 | |
| 6 | 302270602065 | BOLT M6X20 | 2 | |
| 7 | 20102G02F000 | DUST COVER (RUBBER) | 1 | |
| 8 | 3050355040F5 | SCREW ST5.5X40-F | 1 | |
| 9 | 20206G02F000 | BEADING (RUBBER) | 1 | |
| 10 | 20401B01F000 | FAN ASSY | 1 | |
| 11 | 20402G02F000 | RUBBER RING 70X3.1 | 1 | |
| 12 | 301310601665 | SCREW M6X16 | 3 | |
| 13 | B07000000600 | SPRING WASHER Ø 6 | 3 | |



E07

KICK STARTER ASSY

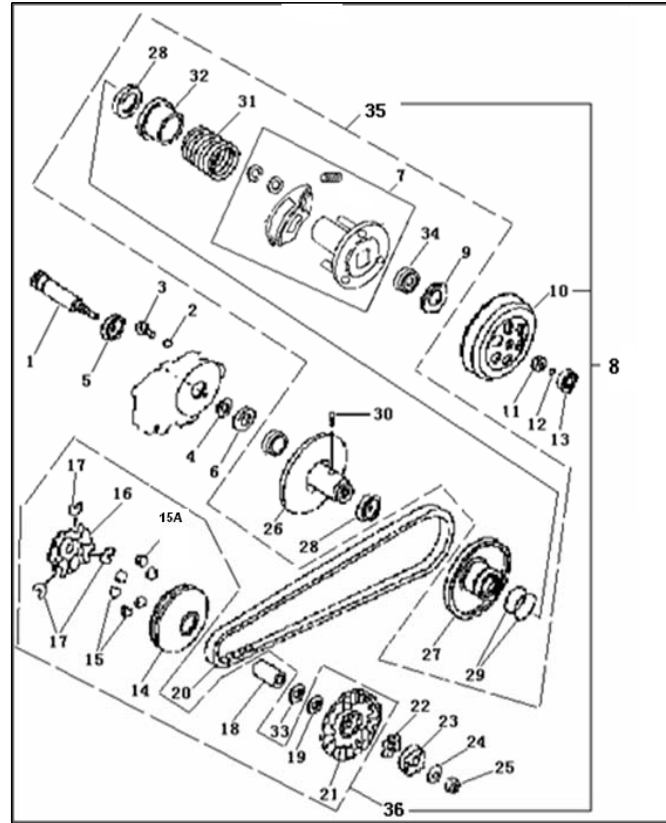
| NO | CODE | DESCRIPTION | QTY | Notes |
|----|---------------|--------------------------|-----|-------|
| 1 | 34120G02F000 | START GEAR ASSY | 1 | |
| 2 | 34121G02F000 | NEEDLE BEARING | 1 | |
| 3 | 34123G02F000 | THRUST WASHER | 1 | |
| 4 | 34110G02F00A | STARTER CLUTCH ASSY.COM | 1 | |
| 5 | 34126G02F000 | DRIVEN GEAR,STARTER | 1 | |
| 6 | 26128G02F000 | IDLE GEAR SHAFT | 1 | |
| 7 | 34122G02F000 | PLATE WASHER | 1 | |
| 8 | 34125G02F000 | IDLE GEAR HOLDER | 1 | |
| 9 | 301310601062 | SCREW | 2 | |
| 10 | 302040602065 | SCREW | 2 | |
| 11 | 216100.004000 | SHAFT, kick starter | 1 | |
| 12 | 17407G02F000 | SPRING | 1 | |
| 13 | 216217.001000 | BUSH | 1 | |
| 14 | 307991005552 | WASHER ,kick starter | 1 | |
| 15 | 308090150003 | CIRCLIP | 1 | |
| 16 | 17415G02F000 | KICK PINION ASSY | 1 | |
| 17 | 17418G02F930 | CLIP | 1 | |
| 18 | 218100.017472 | STARTING MOTOR ASSY | 1 | |
| 19 | B190102120B0 | O-RING | 1 | |
| 20 | 34130G02F000 | PLATE WASHER | 1 | |
| 21 | 217100.100000 | START CLUTCH ASSY, COMP. | 1 | |
| 22 | 34404G02F00A | SPRING | 3 | |
| 23 | 34405G02F00A | CAP | 3 | |
| 24 | 34402G02F00A | ROLLER | 3 | |



E08

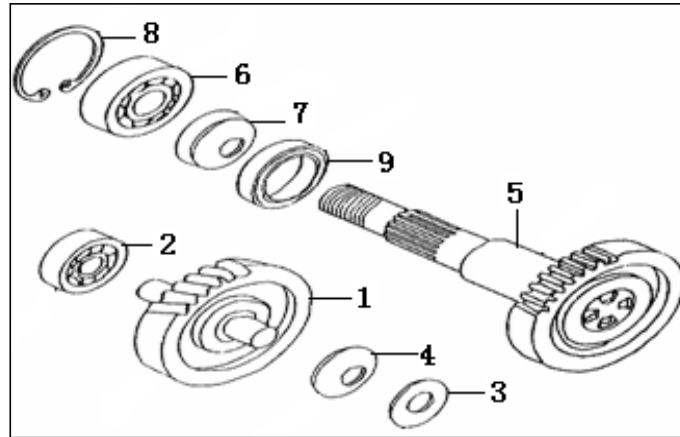
CLUTCH ASSY

| NO | CODE | DESCRIPTION | QTY | Notes |
|-----|---------------|----------------------|-----|--------------|
| 1 | 24201B01F000 | PRIMARY DRIVE SHAFT | 1 | |
| 2 | 18114G02F000 | PLATE WASHER | 1 | |
| 3 | B01090801263 | PAN HEAD SCREW | 1 | |
| 4 | B08010001700 | CIRCLIP | 1 | |
| 5 | B12016600300 | BALL BEARING 6003 | 1 | |
| 6 | 24203G02F000 | OIL SEAL | 1 | |
| 7 | 24301B01F000 | CLUTCH ASSY,shoe | 1 | |
| 8 | 213100.010000 | SHIFT ASSY | 1 | |
| 9 | 24303G02F000 | NUT | 1 | |
| 10 | 24700G02F000 | CLUTCH DRUM | 1 | |
| 11 | 24305G02F940 | NUT | 1 | |
| 12 | 24243G02F000 | O-RING | 1 | |
| 13 | 24209G02F000 | BEARING 8X28X8 | 1 | |
| 14 | 24101G02F000 | FACE, movable drive | 1 | |
| 15 | 213119005000 | ROLLER | 6 | 45 km/t |
| 15A | 213119.003000 | ROLLER | 6 | 45 km/T + |
| 16 | 24103G02F000 | PLATE, movable drive | 1 | |
| 17 | 24104G02F000 | DAMPER | 3 | |
| 18 | 24105G02F000 | COLLAR | 1 | |
| 19 | 24106B01F000 | WASHER | 1 | |
| 20 | 24107B01F000 | V BELT, DRIVE | 1 | |
| 21 | 24108G02F000 | FACE, FIXED DRIVE | 1 | |
| 22 | 24109G02F000 | STAR WASHER | 1 | |
| 23 | 213203.001161 | RATCHET (STARTING) | 1 | |
| 24 | 15112G02F010 | WASHER, SPRING | 1 | |
| 25 | B04031212553 | NUT | 1 | |
| 26 | 24204G02F000 | FACE, FIXED DRIVEN | 1 | |
| 27 | 24205G02F000 | FACE, MOVABLE DRIVEN | 1 | |
| 28 | 24206G02F000 | OIL SEAL | 2 | |
| 29 | 24207G02F000 | O-RING | 2 | |
| 30 | 24208G02F000 | PIN, GUIDE | 2 | |
| 31 | 24308B01F000 | SPRING | 1 | |
| 32 | 24309G02F930 | SEAT, SPRING | 1 | |
| 33 | 213207.021000 | WASHER(45KM/H) | 1 | WIDTH:7mm |
| 33 | 213207.022000 | WASHER(30KM/H) | 1 | WIDTH 11.3mm |
| 34 | 24245G02F000 | ROLLER BEARING | 1 | |
| 35 | 24200B01F000 | DRIVEN PULLEY COMP. | 1 | |
| 36 | 213100.039000 | DRIVE PULLEY COMP. | 1 | |



E09**TRANSMISSION SYSTEM ASSY**

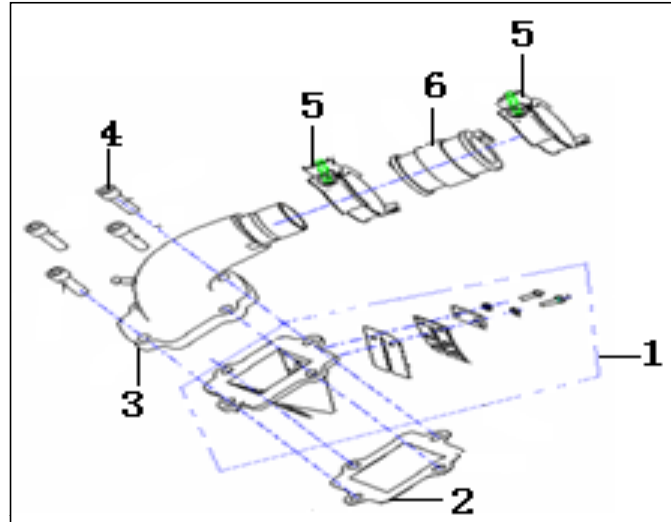
| NO | CODE | DESCRIPTION | QTY | Notes |
|----|--------------|------------------------|-----|-------|
| 1 | 17800B01F000 | SHAFT, IDLE | 1 | |
| 2 | B12016620100 | BEARING 6201 | 1 | |
| 3 | 17509G02F000 | PLATE WASHER12 | 1 | |
| 4 | 17802G02F000 | WASHER, CONICAL | 1 | |
| 5 | 17300B01F000 | DRIVEN SHAFT(GEAR BOX) | 1 | |
| 6 | B12016600400 | BEARING | 1 | |
| 7 | 17317G02F000 | OIL SEAL | 1 | |
| 8 | 17308G02F000 | CIRCLIP | 1 | |
| 9 | 26136G02F000 | NEEDLE BEARING | 1 | |



E10 A

REED VALVE ASSY

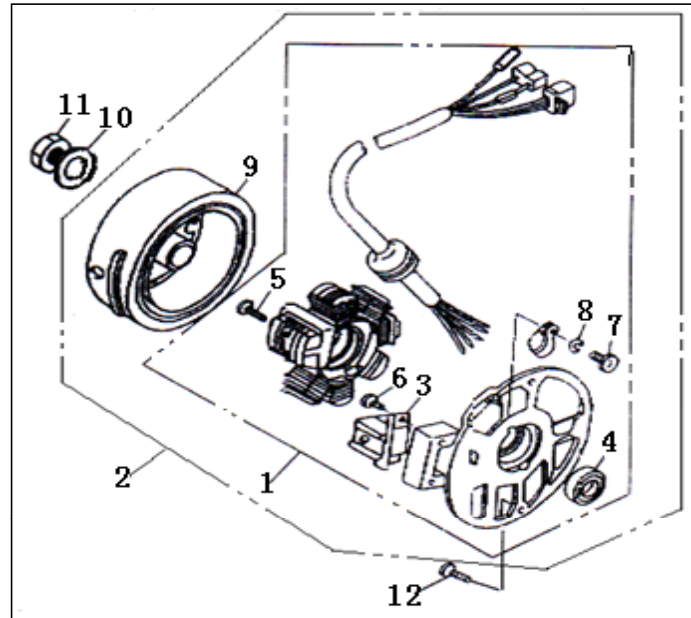
| NO | CODE | DESCRIPTION | QTY | Notes |
|----|---------------|-------------------|-----|-------|
| 1 | 32300A02F000 | REED VALVE ASSY | 1 | |
| 2 | 202306.002000 | VALVE SEAT GASKET | 1 | |
| 3 | 32200B01F000 | PIPE,INTAKE | 1 | |
| 4 | 302040602065 | SCREWM6X20 | 4 | |
| 5 | 32202G01F000 | CLAMP HOSE ASSY | 2 | |
| 6 | 32237G01F000 | RUBBER PIPE | 1 | |



E11

MAGNETO ASSY

| NO | CODE | DESCRIPTION | QTY | Notes |
|----|---------------|----------------|-----|-------|
| 1 | 223102.104000 | COIL ASSY | 1 | |
| 2 | 223100.101000 | MAGNETO ASSY | 1 | |
| 3 | 34330G02F000 | PULSE TRIGGER | 1 | |
| 4 | 34350G02F000 | OIL SEAT | 1 | |
| 5 | B02000502522 | SCREW | 2 | |
| 6 | B02000501262 | SCREW | 2 | |
| 7 | B02000400622 | SCREW | 1 | |
| 8 | B07000000400 | SPRING WASHER | 1 | |
| 9 | 223101.022000 | FLY WHEEL ASSY | 1 | |
| 10 | B07030001200 | WASHER | 1 | |
| 11 | 15228H03F000 | NUT | 1 | |
| 12 | B01070601664 | SCREW M6X16 | 2 | |



E12

CARBURETORASSY

CARBURETTOR WITH HEATER

| NO | CODE | DESCRIPTION | QTY | Notes |
|----|---------------|-----------------------|-----|-------|
| 1 | 32510B01F000 | NEEDLE, JET | 1 | |
| 2 | 32511B01F000 | VALVE,PISTON | 1 | |
| 3 | 224202101050 | JET, main (45KM) | 1 | 50 |
| 3 | 224202101475 | JET, main(30km) | 1 | 47,5 |
| 4 | 32612B01F000 | ENRICH VALVE | 1 | |
| 5 | 32619B01F000 | PIN, FLOAT | 1 | |
| 6 | 32620B01F000 | FLOAT | 1 | |
| 7 | 32701B01F000 | GASKET | 1 | |
| 8 | 224100.046000 | CARBURETOR ASSY(45km) | 1 | |
| 8 | 224100.130000 | CARBURETOR ASSY(30km) | 1 | |
| 9 | 224203.100000 | JET, idle (45KM,30km) | 1 | |
| 10 | 32508B01F000 | CLIPMM,V SHAPE | 1 | |
| 11 | 32800B09F000 | HEATING ASSY | 1 | |

