

PREFACE

- 1.This master price list of SF50 was newly prepared and the prices herein will be effective on orders received by us and after April 21, 2003.
Any price list of SF50 issued previously is no longer valid.
- 2.This master price list is based on US\$ and EUR, and the prices are per a piece, not per sales unit.
- 3.Prices and sales unit in this master price list may be changed without prior notice.

HYOSUNG MOTORS & MACHINERY INC.

REFERENCE

1. Table of specification classified by special country code (registered in April 21, 2003)

- 1) LAT01 : AUSTRALIA
- 2) KAS01 : AUSTRIA, SWISS
- 3) LUS01 : U.S.A
- 4) LUS01-1 : CANADA

2. Special demand

When you order plastic covers including Fuel tank, please add color code to the end of parts number and it will be helpful to register your parts order.

Color code : CDB(Deep Blue), CMB(MIDNIGHT BLACK), CMO(MANGO YELLOW), CPR(PEARL CANDY RED),

HYOSUNG MOTORS & MACHINERY INC.

FIG 1

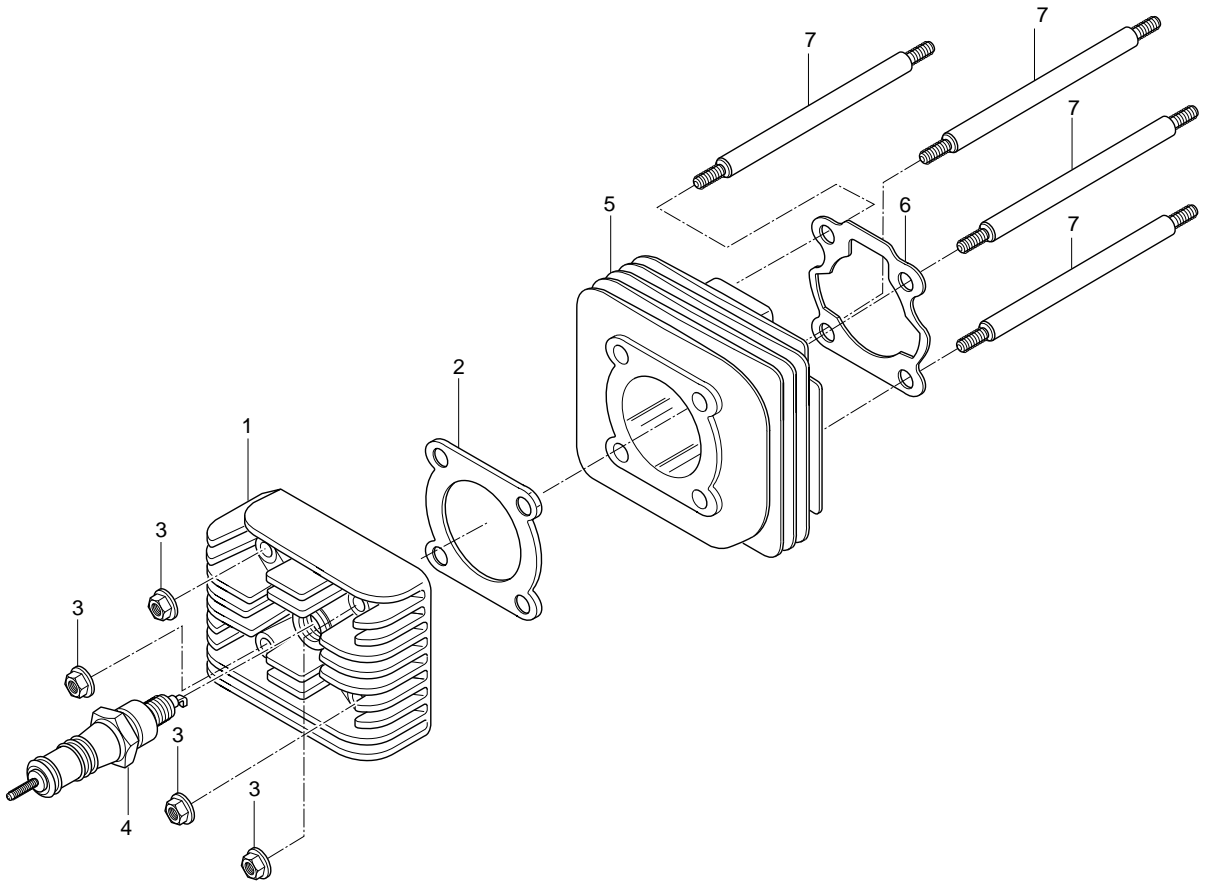


FIG 1. CYLINDER

REF. PART	NUMBER.				PART NAME	Q`TY	REMARKS
NO.	LAT01	KAS01	LUS01	LUS01-1			
1	11111H11200	11111HF1651	11111HF1651	11111HF1651	HEAD, cylinder	1	
2	11141-02110	11141-02110	11141-02110	11141-02110	GASKET, cylinder head	1	
3	08316-16068	08316-16068	08316-16068	08316-16068	NUT, cylinder head(M6)	4	
4	09482-01060	09482-01060	09482-01060	09482-01060	SPARK, plug	1	
5	11211HG2602PCY	11211HG2602PCY	11211HG2602PCY	11211HG2602PCY	CYLINDER	1	
6	11241HF1602	11241HF1602	11241HF1602	11241HF1602	GASKET, cylinder	1	
7	01421-06858	01421-06858	01421-06858	01421-06858	STUD BOLT, cylinder	4	

FIG 2

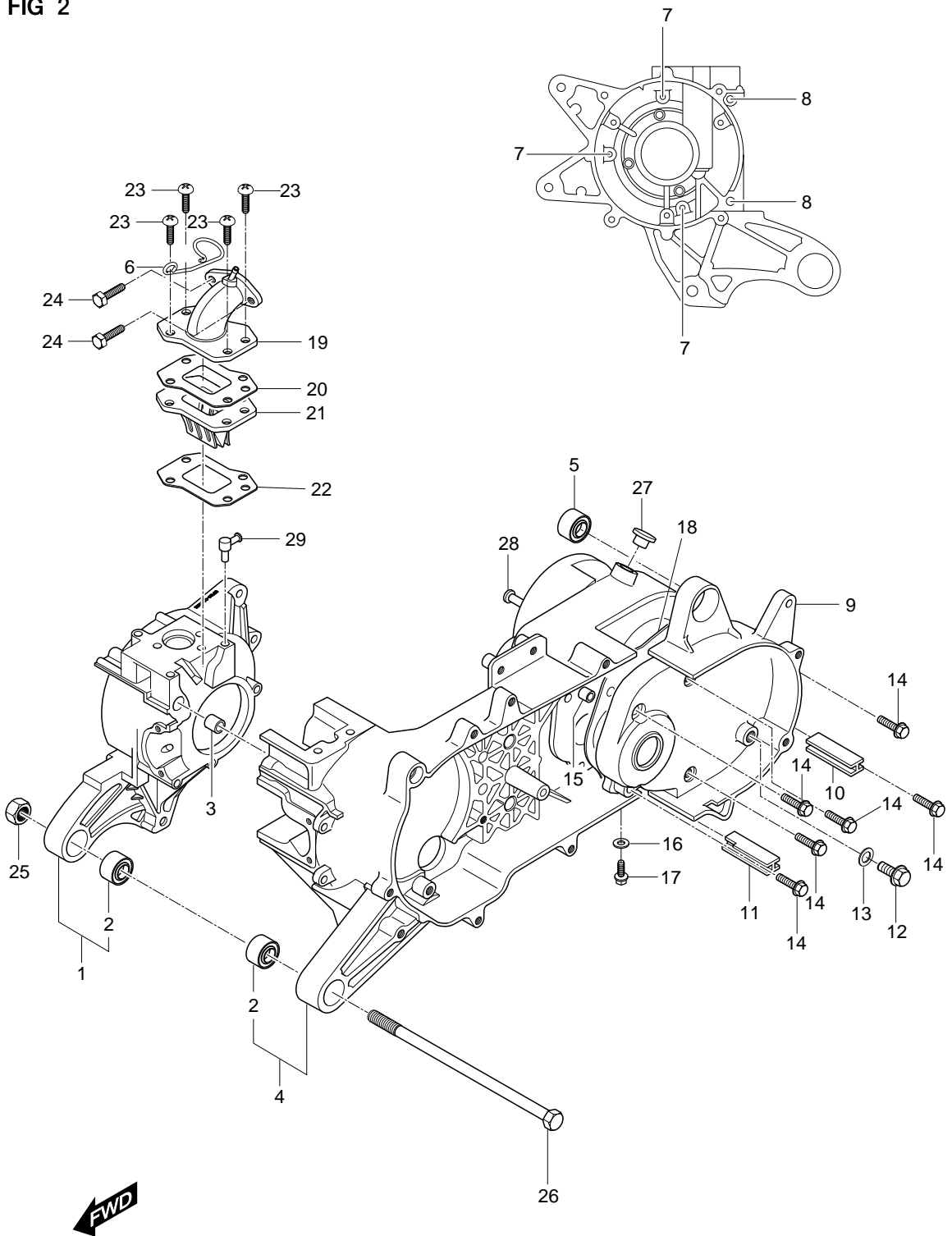


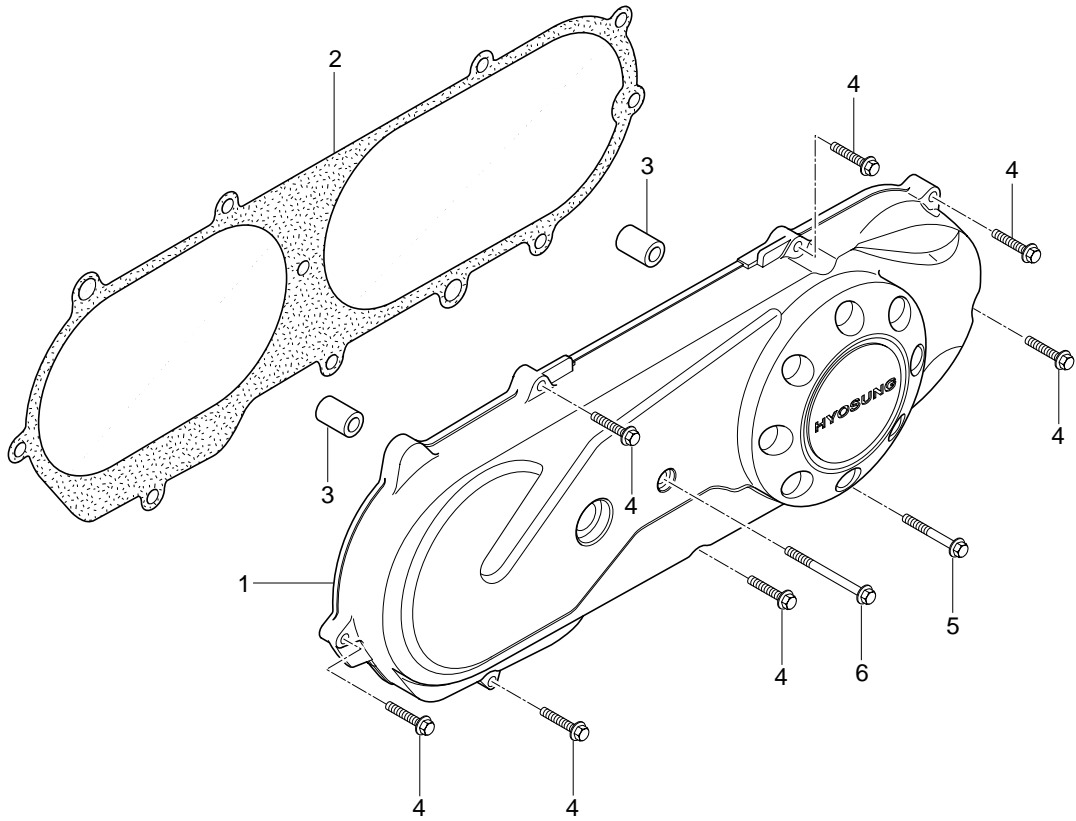
FIG 2.CRANK CASE

REF. PART NO.	NUMBER.				PART NAME	Q`TY	REMARKS
LAT01	KAS01	LUS01	LUS01-1				
1	11311HG2650PCC	11311HG2650PCC	11311HG2650PCC	11311HG2650PCC	CRANK CASE, R	1	
2	09319-10030	09319-10030	09319-10030	09319-10030	BUSH, engine mounting	1	
3	04213-09129	04213-09129	04213-09129	04213-09129	KNOCK PIN, crankcase	2	
4	11321HG2650PCC	11321HG2650PCC	11321HG2650PCC	11321HG2650PCC	CRANK CASE, L	1	
5	09319-10032	09319-10032	09319-10032	09319-10032	BUSH, rear shock absorber	1	
6	51419HG2600	51419HG2600	51419HG2600	51419HG2600	GUIDE, throttle cable	1	
7	02112-06508	02112-06508	02112-06508	02112-06508	SEREW, crank case (M3×50)	3	
8	02112-06558	02112-06558	02112-06558	02112-06558	SEREW, crank case (M3×55)	2	
9	11431HG2650PCR	11431HG2650PCR	11431HG2650PCR	11431HG2650PCR	COVER, gear box	1	~ KM4CA14A731213953
9~1	11431HN3250PCR	11431HN3250PCR	11431HN3250PCR		COVER, gear box	1	KM4CA14A731213954 ~
10	11384HG2601	11384HG2601	11384HG2601	11384HG2601	CUSHION, clutch cover upper	1	
11	11385HG2601	11385HG2601	11385HG2601	11385HG2601	CUSHION, clutch cover lower	1	
12	01514-08128	01514-08128	01514-08128	01514-08128	BOLT, oil level	1	
13	09168-08008	09168-08008	09168-08008	09168-08008	GASKET, oil level bolt	1	
14	01547-06308	01547-06308	01547-06308	01547-06308	BOLT,gear box cover (M3×30)	6	
15	04213-11149	04213-11149	04213-11149	04213-11149	KNOCK PIN, gear box cover	2	
16	09168H10003	09168H10003	09168H10003	09168H10003	GASKET, oil drain bolt	1	
17	09247-100A8	09247-100A8	09247-100A8	09247-100A8	PLUG, oil drain	1	
18	11484HG2602	11484HG2602	11484HG2602	11484HG2602	GASKET, gear box cover	1	
19	13110HG2600	13110HG2600	13110HG2600	13110HG2600	PIPE COMP, intake	1	
20	13126HF1601	13126HF1601	13126HF1601	13126HF1601	GASKET, intake pipe	1	
21	13150HF1600	13150HF1600	13150HF1600	13150HF1600	VALVE ASS'Y, reed	1	
22	13125HF1601	13125HF1601	13125HF1601	13125HF1601	GASKET, read valve	1	
23	02112-96256	02112-96256	02112-96256	02112-96256	SCREW, intake pipe (M6×25)	4	
24	09128-06005	09128-06005	09128-06005	09128-06005	SCREW, carburetor	1	
24-1	09139H06043	09139H06043	09128-06005	09128-06005	SCREW, carburetor	1	
25	08316-26108	08316-26108	08316-26108	08316-26108	NUT, engine mount (M10)	1	

FIG 2.CRANK CASE

REF. PART		NUMBER.			PART NAME	Q`TY	REMARKS
NO.	LAT01	KAS01	LUS01	LUS01-1			
26	09103H10132	09103H10132	09103H10132	09103H10132	BOLT, engine mount	1	
27	09250H11005	09250H11005	09250H11005	09250H11005	PLUG, oil filler	1	
28	64231-07903	64231-07903	64231-07903	64231-07903	PIN, rear brake anchor	1	
29	16910-09401	16910-09401	16910-09401	16910-09401	UNION COMP	1	

FIG 3



FWD

FIG 3. CLUTCH COVER

REF. PART	NUMBER.				PART NAME	Q`TY	REMARKS
NO.	LAT01	KAS01	LUS01	LUS01-1			
1	11341HG260303P	11341HG260303P	11341HG260303P	11341HG260303P	COVER, clutch	1	
2	11482HG2601	11482HG2601	11482HG2601	11482HG2601	GASKET, clutch cover	1	
3	04213-11149	04213-11149	04213-11149	04213-11149	KNOCK PIN, clutch cover	2	
4	01547-06258	01547-06258	01547-06258	01547-06258	BOLT, clutch cover (M6×25)	6	
5	01547-06358	01547-06358	01547-06358	01547-06358	BOLT, clutch cover (M6×35)	1	
6	01547-06608	01547-06608	01547-06608	01547-06608	BOLT, clutch cover (M6×60)	1	

FIG 4

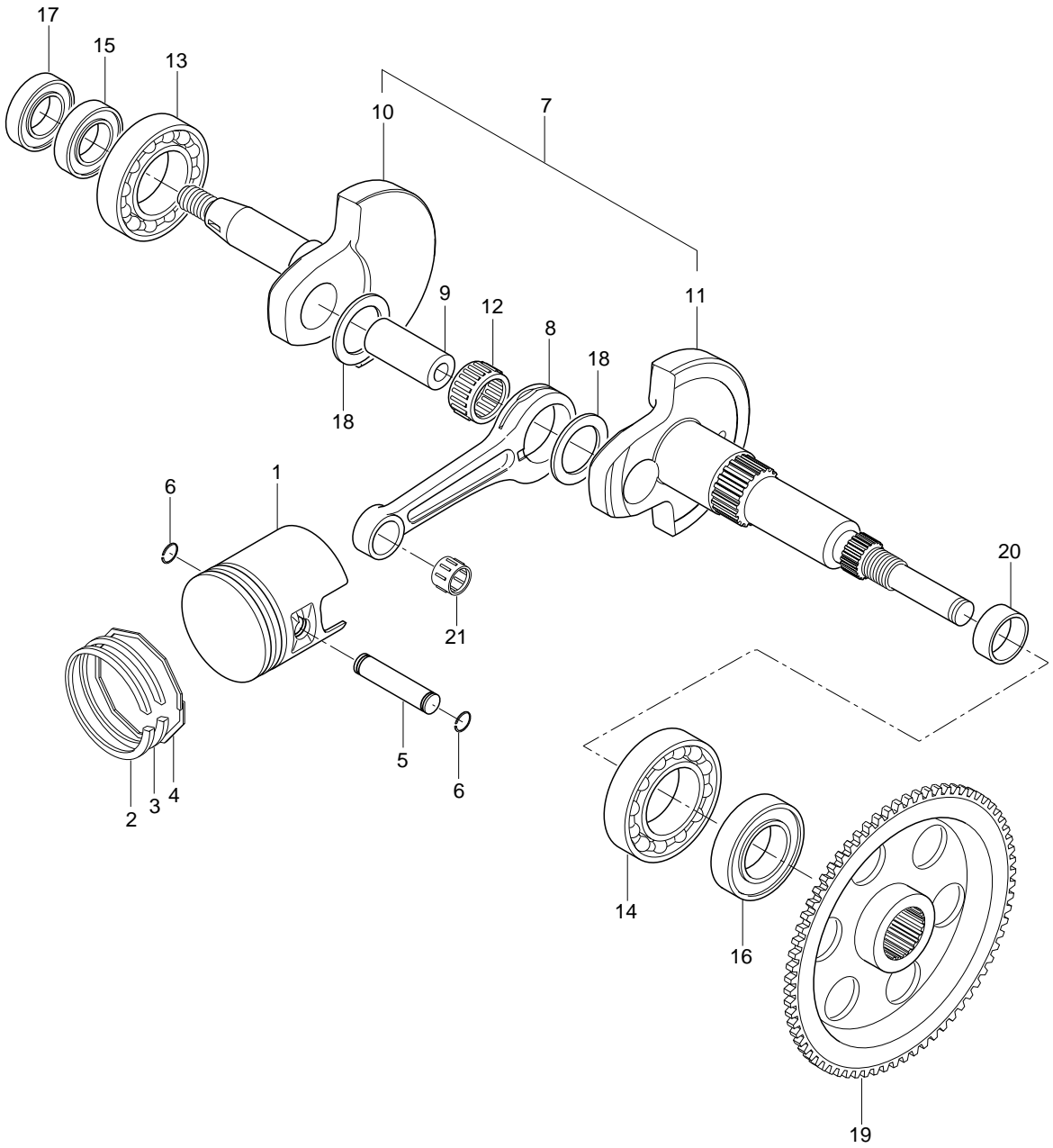
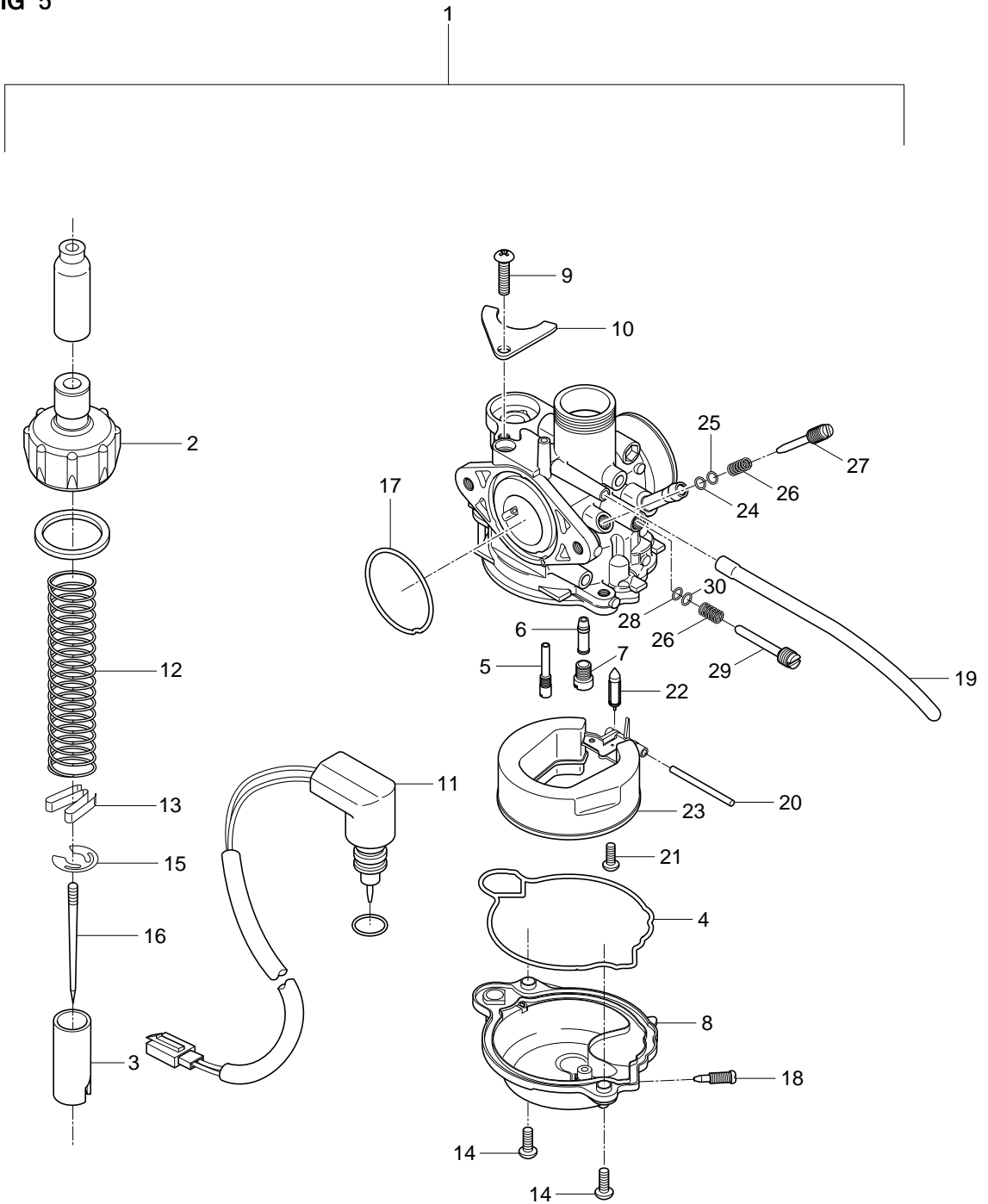


FIG 4. CRANK SHAFT

REF. PART NO.	NUMBER.				PART NAME	Q`TY	REMARKS
LAT01	KAS01	LUS01	LUS01-1				
1	12110HG2600PSA	12110HG2600PSA	12110HG2600PSA	12110HG2600PSA	PISTON COMP	1	
2	12141-35010	12141-35010	12141-35010	12141-35010	RING,piston 1ST	1	
3	12142-29C10	12142-29C10	12142-29C10	12142-29C10	RING,piston 2ND	1	
4	12149-29C10	12149-29C10	12149-29C10	12149-29C10	RING, piston expander	1	
5	12151-46501	12151-46501	12151-46501	12151-46501	PIN, piston	1	
6	09381-10006	09381-10006	09381-10006	09381-10006	CIRCLIP, piston pin	2	
7	12200HG2600HPA	12200HG2600HPA	12200HG2600HPA	12200HG2600HPA	SHAFT ASS'Y, crank	1	
8	12161-37B02	12161-37B02	12161-37B02	12161-37B02	ROD, connecting	1	
9	12211H11201888	12211H11201888	12211H11201888	12211H11201888	PIN, crank	1	
10	12221HG2600CSA	12221HG2600CSA	12221HG2600CSA	12221HG2600CSA	CRANKSHAFT, R	1	
11	12261H11A00CSA	12261H11A00CSA	12261H11A00CSA	12261H11A00CSA	CRANKSHAFT, L	1	
12	09263H16004	09263H16004	09263H16004	09263H16004	BEARING, crank pin (M16×22×12)	1	
13	09262H250A2	09262H250A2	09262H250A2	09262H250A2	BEARING, crankshaft(M28×68×18)	1	
14	09262H250A2	09262H250A2	09262H250A2	09262H250A2	BEARING, crankshaft(M28×68×18)	1	
15	09284-20051	09284-20051	09284-20051	09284-20051	OIL SEAL, crankshaft R No.1(20×42×6)	1	
16	09283-25083	09283-25083	09283-25083	09283-25083	OIL SEAL, crankshaft L (23.9×37×6)	1	
17	09283-25083	09283-25083	09283-25083	09283-25083	OIL SEAL, crankshaft R (23.9×37×6)	1	
18	09160H16040	09160H16040	09160H16040	09160H16040	THRUST WASHER, connecting rod	2	
19	12620HG2600	12620HG2600	12620HG2600	12620HG2600	GEAR COMP, starter driven	1	
20	09180H18005	09180H18005	09180H18005	09180H18005	SPACER, crankshaft oil seal	1	
21	09263H10003	09263H10003	09263H10003	09263H10003	BEARING, piston pin	1	

FIG 5

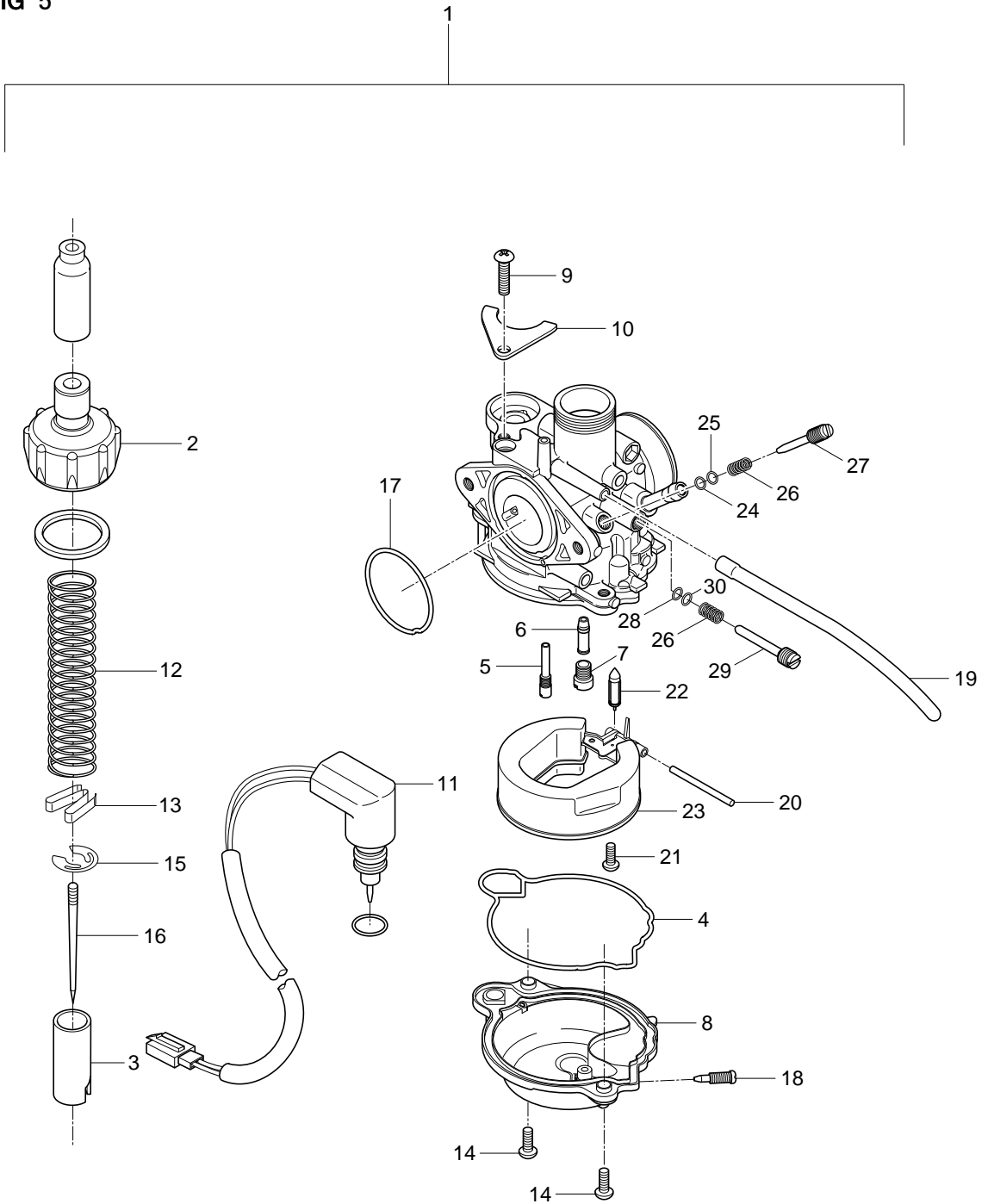


FWD

FIG 5. CARBURETOR

REF. NO.	PART NUMBER.		PART NAME		Q`TY	REMARKS
	LAT01	KAS01	LUS01	LUS01-1		
1	13091HG2650	13091HG2660	13091HG2660	13091HG2660	1	
2	13681HG2600	13681HG2600	13681HG2600	13681HG2600	1	
3	13551HG2601	13551HG2601	13551HG2601	13551HG2601	1	
4	13258HG2600	13258HG2600	13258HG2600	13258HG2600	1	
5	09492H27001	09492H27001	09492H27001	09492H27001	1	
6	09494H00001	09494H00001	09494H00001	09494H00001	1	
7	09491H65001	09491H65001	09491H65001	09491H65001	1	
8	13245HG2600	13245HG2600	13245HG2600	13245HG2600	1	
9	13602-05108	13602-05108	13602-05108	13602-05108	1	NOT SALE
10	13557HG2600	13557HG2600	13557HG2600	13557HG2600	1	
11	13411HG2600	13411HG2600	13411HG2600	13411HG2600	1	
12	13573HG2600	13573HG2600	13573HG2600	13573HG2600	1	
13	09408H00001	09408H00001	09408H00001	09408H00001	1	
14	13601-05148	13601-05148	13601-05148	13601-05148	2	
15	13394HG2600	13394HG2600	13394HG2600	13394HG2600	1	
16	13383HG2600	13383HG2600	13383HG2600	13383HG2600	1	
17	13278HG2600	13278HG2600	13278HG2600	13278HG2600	1	
18	13247-13A00	13247-13A00	13247-13A00	13247-13A00	1	
19	13684HG2600	13684HG2600	13684HG2600	13684HG2600	1	
20	13254HG2600	13254HG2600	13254HG2600	13254HG2600	1	
21	13602-04088	13602-04088	13602-04088	13602-04088	1	
22	13370HG2600	13370HG2600	13370HG2600	13370HG2600	1	
23	13250-29C50	13250-29C50	13250-29C50	13250-29C50	1	
24	13295-33010	13295-33010	13295-33010	13295-33010	1	
25	13606-47A00	13606-47A00	13606-47A00	13606-47A00	1	
26	13268-35010	13268-35010	13268-35010	13268-35010	2	

FIG 5



FWD

FIG 5. CARBURETOR

REF. PART	NUMBER.				PART NAME	Q`TY	REMARKS
NO.	LAT01	KAS01	LUS01	LUS01-1			
27	13279HG2600	13279HG2600	13279HG2600	13279HG2600	ADJUSTER(AS)	1	
28	13295-33010	13295-33010	13295-33010	13295-33010	O-RING	1	
29	13267HG2600	13267HG2600	13267HG2600	13267HG2600	SCREW,adjuster	1	
30	13291-35010	13291-35010	13291-35010	13291-35010	WASHER	1	
31	13694-40D00	13694-40D00	13694-40D00	13694-40D00	THERM SW,CARB	1	
32	13692-36C00	13692-36C00	13692-36C00	13692-36C00	HEAT,CARBURETOR	1	

FIG 6

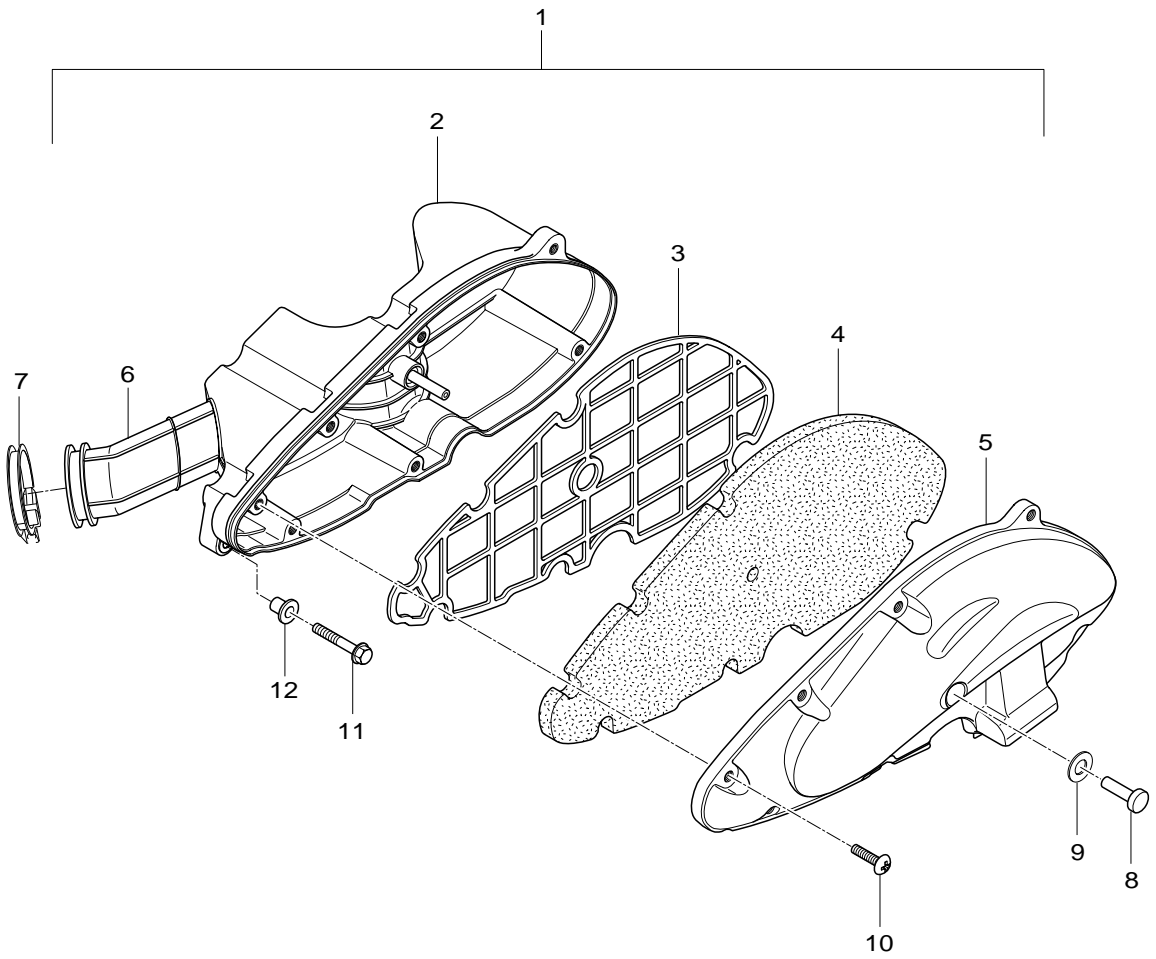


FIG 6. AIR CLEANER

REF. PART		NUMBER.			PART NAME	Q`TY	REMARKS
NO.	LAT01	KAS01	LUS01	LUS01-1			
1	13700HG2603	13700HG2603	13700HG2603	13700HG2603	CLEANER ASS'Y, air	1	
2	13720HG2603	13720HG2603	13720HG2603	13720HG2603	CASE COMP, air cleaner	1	
3	13751HG2601	13751HG2601	13751HG2601	13751HG2601	TRAP, air cleaner	1	
4	13781HG2601	13781HG2601	13781HG2601	13781HG2601	FILTER, air cleaner	1	
5	13740HG2603	13740HG2603	13740HG2603	13740HG2603	CAP COMP, air cleaner	1	
6	13881HG2601	13881HG2601	13881HG2601	13881HG2601	TUBE, outlet	1	
7	09402-42208	09402-42208	09402-42208	09402-42208	CLAMP, outlet cleaner	1	
8	03151-06255	03151-06255	03151-06255	03151-06255	SCREW, air cleaner cap	1	
9	09169H06048	09169H06048	09169H06048	09169H06048	WASHER, air cleaner cap	1	
10	02142-05165	02142-05165	02142-05165	02142-05165	SCREW, air cleaner cap	7	
11	01547-06303	01547-06303	01547-06303	01547-06303	BOLT, air cleaner	2	
12	13725HF4500	13725HF4500	13725HF4500	13725HF4500	COLLAR, air cleaner	2	NOT SALE

FIG 7

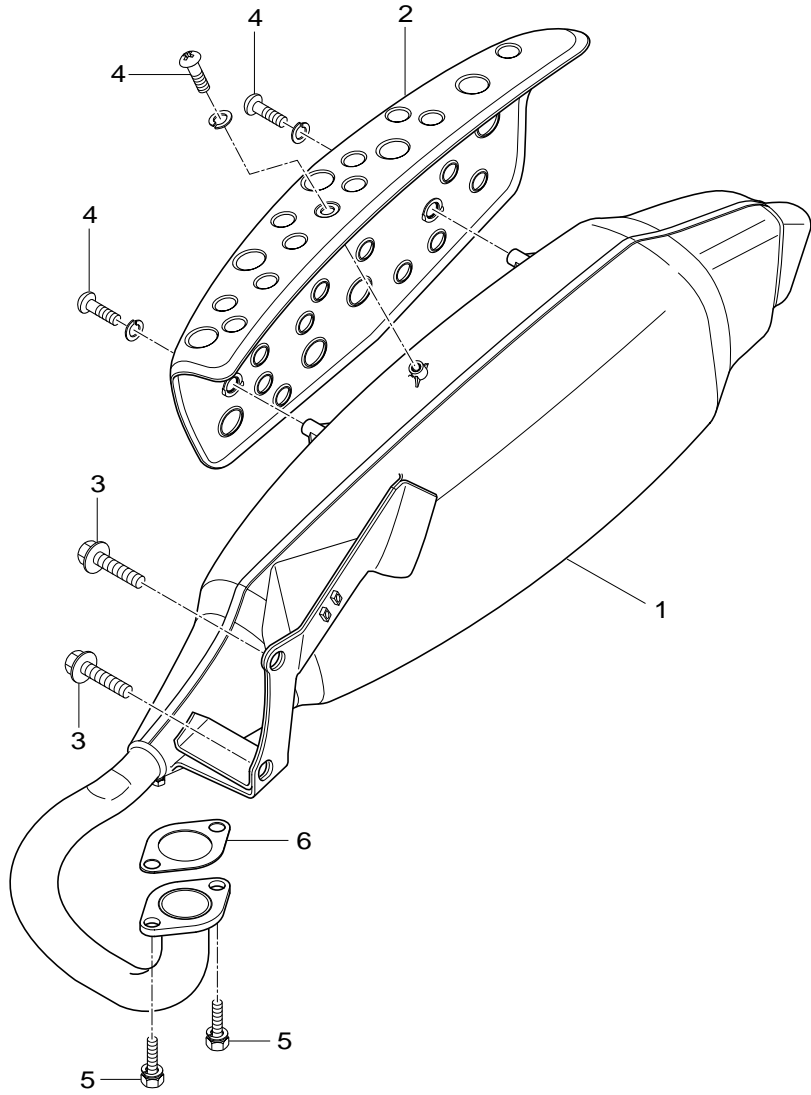


FIG 7. MUFFLER

REF. PART NO.	PART NUMBER.				PART NAME	Q`TY	REMARKS
	LAT01	KAS01	LUS01	LUS01-1			
1	14310HG2661PAM	14310HG2651PAM	14310HG2661PAM	14310HG2661PAM	BODY COMP, muffler	1	
2	14781HG2601PLA	14781HG2601PLA	14781HG2601PLA	14781HG2601PLA	COVER COMP, muffler	1	
3	01177-08268	01177-08268	01177-08268	01177-08268	BOLT, support bracket(M8×26)	2	
4	02112-36108	02112-36108	02112-36108	02112-36108	SCREW, muffler cover (M6×10)	3	
5	01137-06258	01137-06258	01137-06258	01137-06258	BOLT, exhaust pipe (M6×25)	2	
6	14181HG2600	14181HG2600	14181HG2600	14181HG2600	GASKET, exhaust pipe	2	

FIG 8

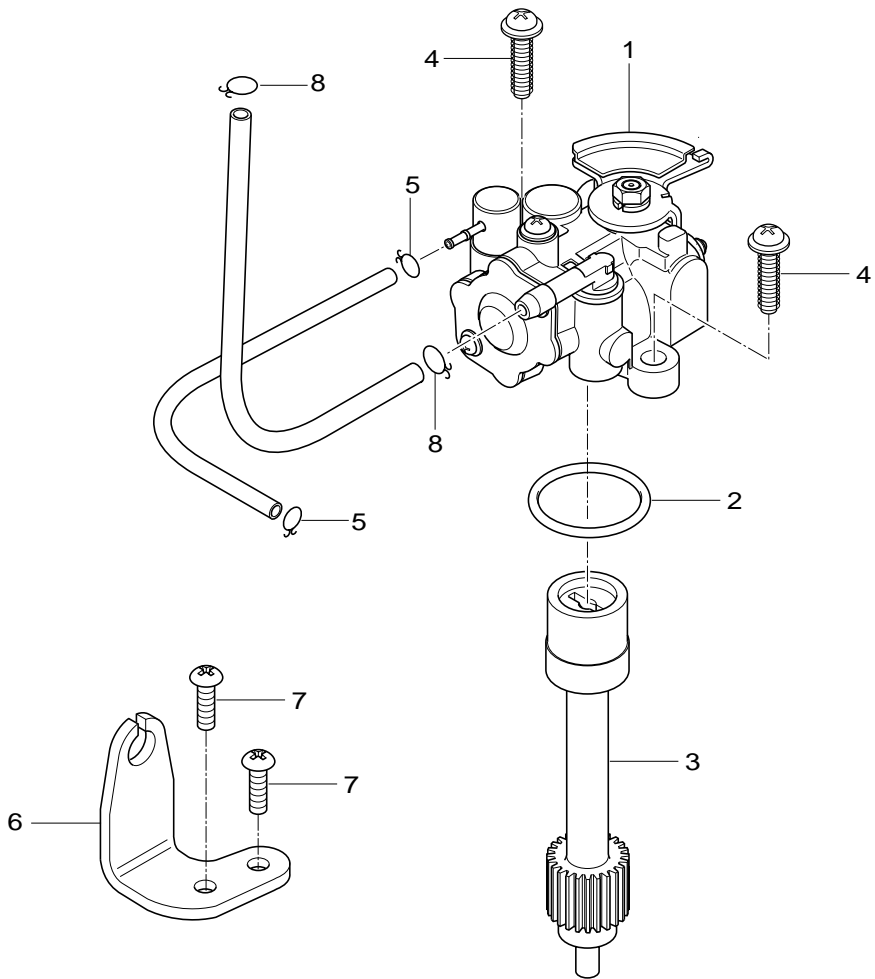


FIG 8.OIL PUMP

REF. PART		NUMBER.		PART NAME		Q`TY	REMARKS
NO.	LAT01	KAS01	LUS01	LUS01-1			
1	16100HG2600	16100HG2600	16100HG2600	16100HG2600	PUMP SET, oil	1	~ KM4CA105X41214596
1~1	16100HG2601	16100HG2601	16100HG2601	16100HG2601	PUMP SET, oil	1	KM4CA105X41214597 ~
2	09280H20002	09280H20002	09280H20002	09280H20002	O-RING, oil pump	1	
3	16331H11200	16331H11200	16331H11200	16331H11200	GEAR, oil pump pinion NT:30	1	
4	02112-35168	02112-35168	02112-35168	02112-35168	SCREW, oil pump (M5×16)	2	
5	09401-08401	09401-08401	09401-08401	09401-08401	CLIP, oil hose No.2	1	
6	16631HG2600	16631HG2600	16631HG2600	16631HG2600	BRACKET, oil pump cable adjust	1	
7	02112-06128	02112-06128	02112-06128	02112-06128	SCREW, oil pump bracket	2	
8	09401-04401	09401-04401	09401-04401	09401-04401	CLIP,oil hose no1	2	

FIG 9

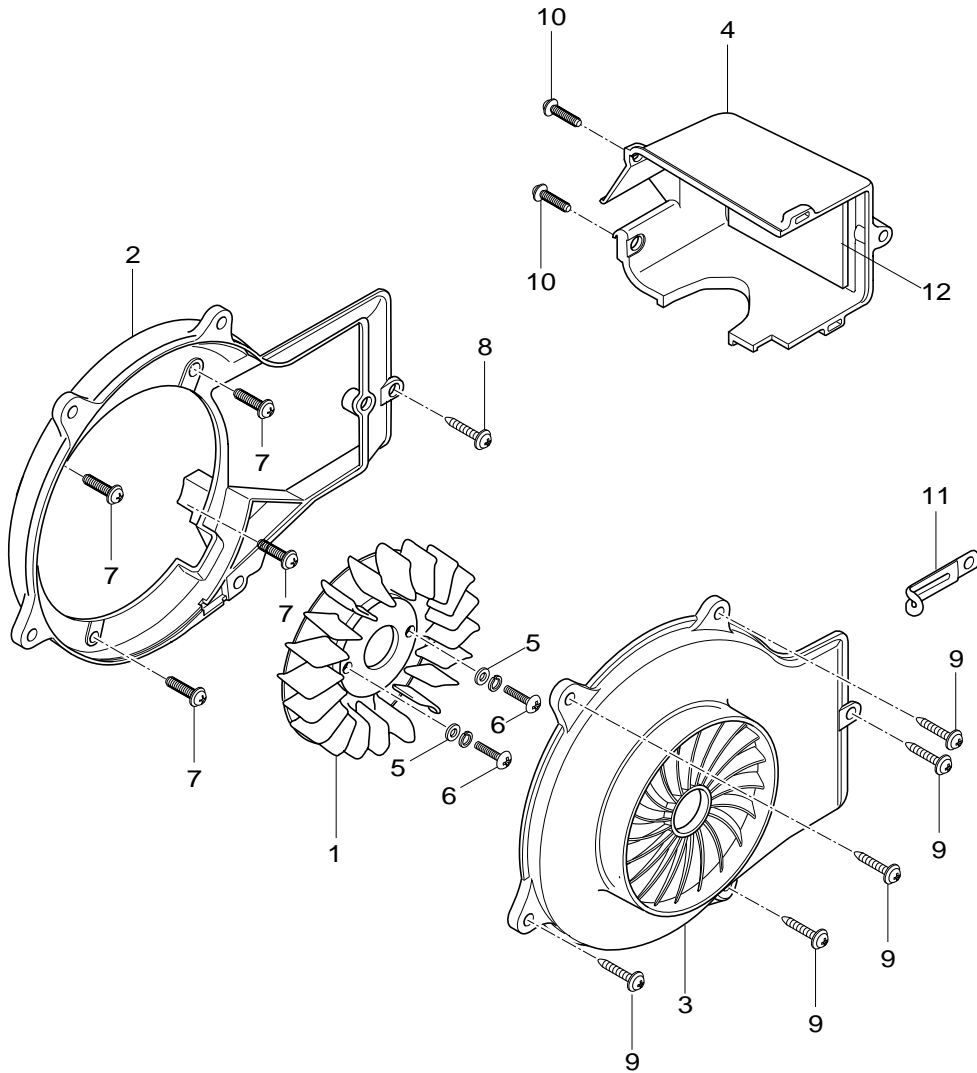
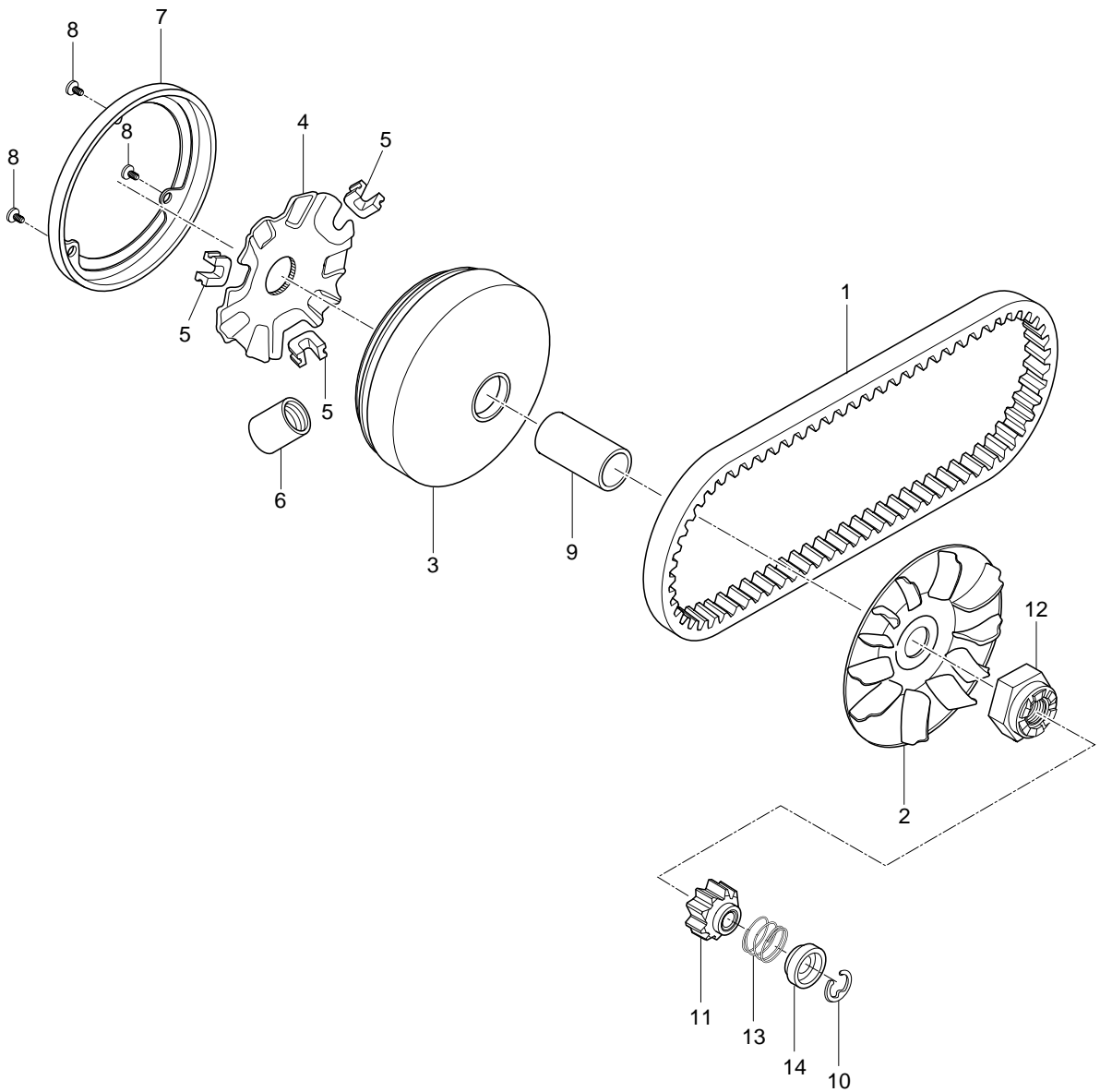


FIG 9.COOLING FAN

REF. PART	NUMBER.				PART NAME	Q`TY	REMARKS
NO.	LAT01	KAS01	LUS01	LUS01-1			
1	17110H11200	17110H11200	17110H11200	17110H11200	FAN, cooling	1	
2	17140HG2600	17140HG2600	17140HG2600	17140HG2600	CASE COMP, fan	1	
3	17130HG2601	17130HG2601	17130HG2601	17130HG2601	COWLING COMP, fan	1	
4	17120HG2601	17120HG2601	17120HG2601	17120HG2601	COWLING COMP, cylinder	1	
5	17134-02900	17134-02900	17134-02900	17134-02900	SPACER	2	NOT SALE
6	02112-96168	02112-96168	02112-96168	02112-96168	SCREW (M6×12)	2	
7	02152-06168	02152-06168	02152-06168	02152-06168	SCREW (M6×16)	4	
8	03151-06205	03151-06205	03151-06205	03151-06205	SCREW (M6×20)	1	
9	03151-06205	03151-06205	03151-06205	03151-06205	SCREW (M6×20)	5	
10	02112-96168	02112-96168	02112-96168	02112-96168	SCREW (M6×16)	2	
11	09404-06401	09404-06401	09404-06401	09404-06401	CLAMP	1	
12	17122H11200	17122H11200	17122H11200	17122H11200	CUSHION	1	

FIG 10



FWD

FIG 10. TRANSMISSION[1]

REF. PART	NUMBER.				PART NAME	Q`TY	REMARKS
NO.	LAT01	KAS01	LUS01	LUS01-1			
1	27601HG2600	27601HG2600	27601HG2600	27601HG2600	V-BELT, drive	1	
2	21110H11A02	21110H11A02	21110H11A02	21110H11A02	FACE COMP, fixed drive	1	
3	21120HE7100	21120HE7100	21120HE7100	21120HE7100	FACE COMP, movable drive	1	
4	21431HE7100	21431HE7100	21431HE7100	21431HE7100	PLATE, movable drive	1	
5	21481HE7100	21481HE7100	21481HE7100	21481HE7100	DAMPER, movable drive face plate	3	
6	21650HG2620HPA	21650HG2620HPA	21650HG2600HPA	21650HG2600HPA	ROLLER COMP, movable drive face	6	
7	21122-37B01	21122-37B01	21122-37B01	21122-37B01	COVER, movable drive face		
8	02142-04108	02142-04108	02142-04108	02142-04108	SCREW, movable drive face		
9	09180H16021	09180H16021	09180H16021	09180H16021	SPACER, movable drive	1	
10	08332-11079	08332-11079	08332-11079	08332-11079	E-RING, kick starter driven spacer	1	
11	26280-29C00	26280-29C00	26280-29C00	26280-29C00	CEAR COMP, kick starter driven NT:9	1	
12	26282H11A00	26282H11A00	26282H11A00	26282H11A00	NUT, kick starter driven	1	
13	09440H14007	09440H14007	09440H14007	09440H14007	SPRING, kick starter driven	1	
14	26283H11200	26283H11200	26283H11200	26283H11200	SPACER, kick starter driven	1	
15	09180H22022	09180H22022			SPACER, mov drv adjust	1	

FIG 11

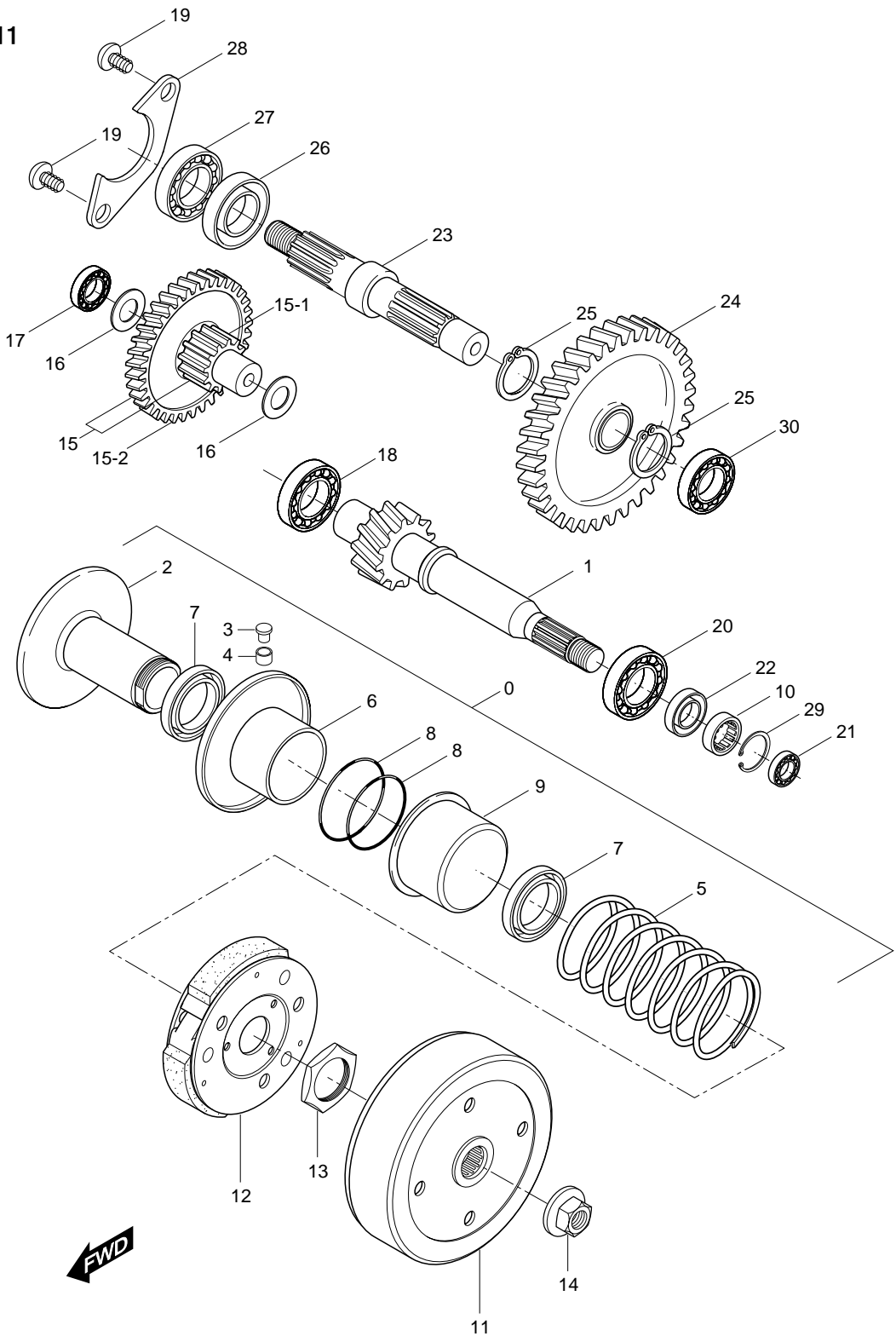


FIG 11. TRANSMISSION(2)

REF. NO.	PART NO.	NUMBER.			PART NAME	Q`TY	REMARKS
	LAT01	KAS01	LUS01	LUS01-1			
0	21091HG2601	21091HG2601	21091HG2601	21091HG2601	PULLEY SET,driven	1	
1	24111H11223	24111H11223	24111H11223	24111H11223	SHAFT, drive 14T	1	
2	21210-09E02	21210-09E02	21210-09E02	21210-09E02	FACE COMP, fixed drive	1	
3	09201H06002	09201H06002	09201H06002	09201H06002	PIN, movable briven	3	
4	09180H06042	09180H06042	09180H06042	09180H06042	SPACER, movable drive pin	3	
5	09440H52003	09440H52003	09440H52003	09440H52003	SPRING	1	
6	21240HG2600	21240HG2600	21240HG2600	21240HG2600	FACE COMP,movable driven	1	
7	09284-34002	09284-34002	09284-34002	09284-34002	OIL SEAL, movable driven (34x39x4)	2	
8	09280-41005	09280-41005	09280-41005	09280-41005	O-RING, movable driven(39.x1.6)	2	
9	21471-03A03	21471-03A03	21471-03A03	21471-03A03	SHEET,movable driven face	1	
10	09263H17001	09263H17001	09263H17001	09263H17001	BEARING, fixed driven R (17x25x10)	1	
11	21220-04C12	21220-04C12	21220-04C12	21220-04C12	HOUSING COMP,clutch	1	
12	21501HG2600	21501HG2600	21501HG2600	21501HG2600	CLUTCH ASS'Y, shoe(NA)	1	
13	09140-28004	09140-28004	09140-28004	09140-28004	NUT (M28)	1	
14	08316-26108	08316-26108	08316-26108	08316-26108	NUT (M10)	1	
15	24310H11A01HPA	24310H11A01HPA	24310H11A01HPA	24310H11A01HPA	GEAR ASS'Y,counter driven	1	
15-1	24312H11222	24312H11222	24312H11222	24312H11222	GEAR ,counter drive(11T)	1	
15-2	24311H11A02	24311H11A02	24311H11A02	24311H11A02	GEAR ,counter driven(41T)		
16	09160-15034	09160-15034	09160-15034	09160-15034	THRUST WASHER, counter shaft R	2	
17	08113-62010	08113-62010	08113-62010	08113-62010	BEARING (12x32x10)	1	
18	08113-62020	08113-62020	08113-62020	08113-62020	BEARING (15x35x11)	1	
19	02122-06168	02122-06168	02122-06168	02122-06168	SCREW, retainer (M6x16)	2	
20	09262H17001	09262H17001	09262H17001	09262H17001	BEARING (17x47x14)	1	
21	08120H69017	08120H69017	08120H69017	08120H69017	BEARING (12x24x6)	1	
22	09283H17002	09283H17002	09283H17002	09283H17002	OIL SEAL (17x27x5)	1	
23	24141HG2600	24141HG2600	24141HG2600	24141HG2600	SHAFT, rear axle	1	

FIG 11

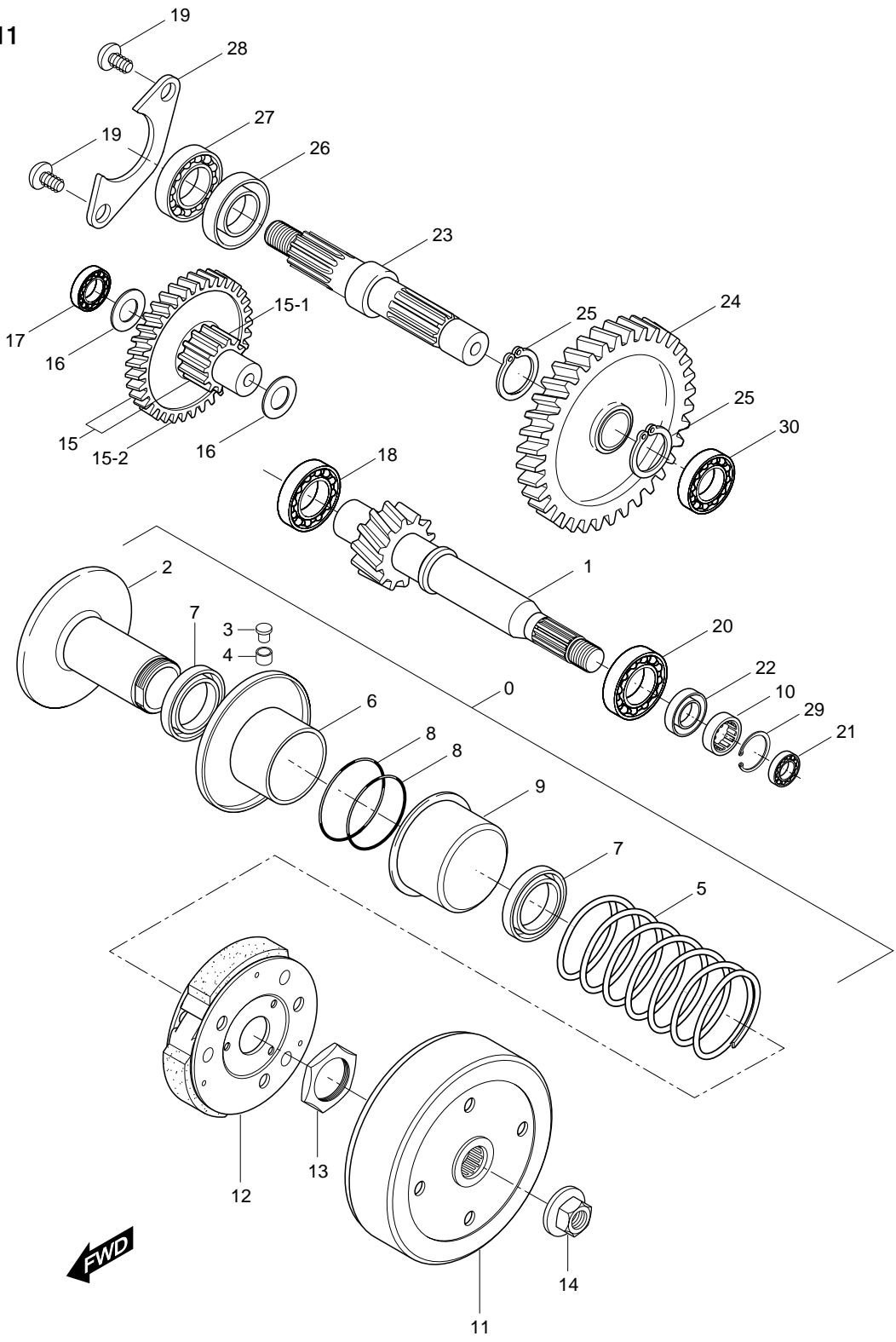


FIG 11. TRANSMISSION(2)

REF. PART		NUMBER.			PART NAME	Q`TY	REMARKS
NO.	LAT01	KAS01	LUS01	LUS01-1			
24	24331H11220	24331H11220	24331H11220	24331H11220	GEAR, final (40T)	1	
25	08331-31229	08331-31229	08331-31229	08331-31229	CIRCLIP	2	
26	09283-27010	09283-27010	09283-27010	09283-27010	OIL SEAL (27x40x7)	1	
27	08130-62047	08130-62047	08130-62047	08130-62047	BEARING (20x47x14)	1	
28	24751H07900	24751H07900	24751H07900	24751H07900	RETAINER	1	
29	08331-41249	08331-41249	08331-41249	08331-41249	CIRCLIP	1	
30	08113-62030	08113-62030	08113-62030	08113-62030	BEARING (17x40x12)	1	

FIG 12

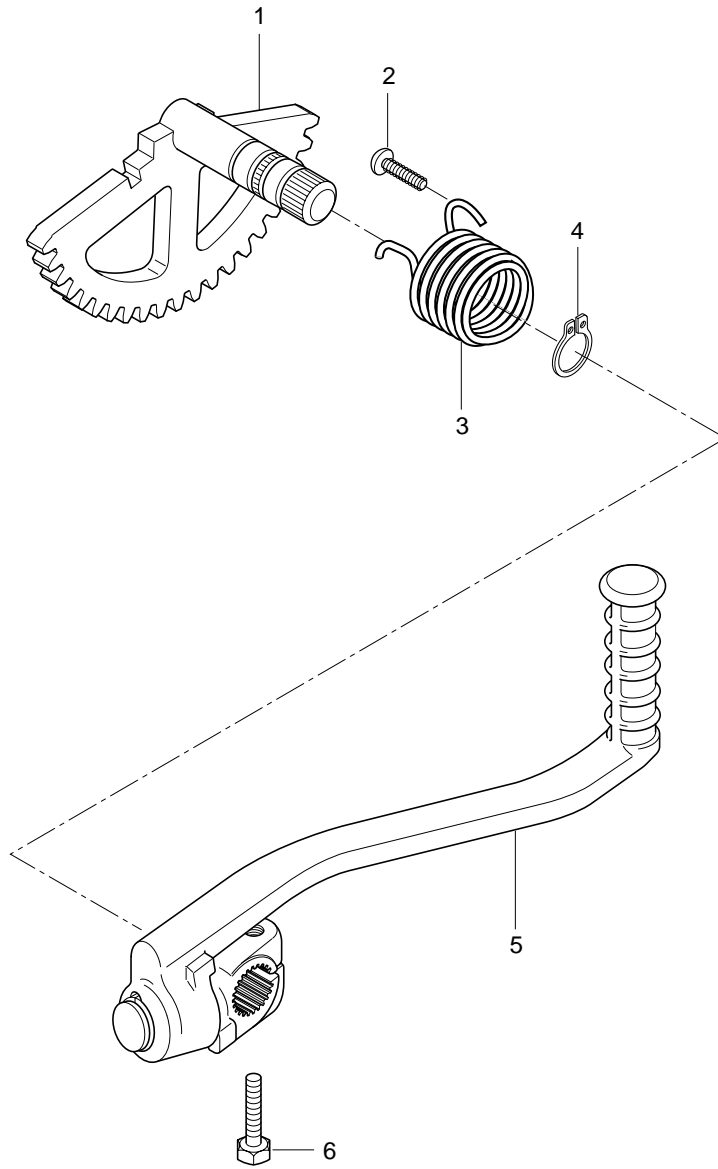


FIG 12. KICK STARTER

REF. PART		NUMBER.			PART NAME	Q`TY	REMARKS
NO.	LAT01	KAS01	LUS01	LUS01-1			
12-01	26210HF1601	26210HF1601	26210HF1601	26210HF1601	SHAFT COMP, kick starter	1	
12-02	02142-06108	02142-06108	02142-06108	02142-06108	SCREW (M6×10)	1	
12-03	09448-58003	09448-58003	09448-58003	09448-58003	SPRING	1	
12-04	08331-31149	08331-31149	08331-31149	08331-31149	CLRCLIP	1	
12-05	26300-41D00	26300-41D00	26300-41D00	26300-41D00	LEVER ASS'Y, kick starter	1	
12-06	01107-06208	01107-06208	01107-06208	01107-06208	BOLT, kick starter lever (M6×20)	1	

FIG 13

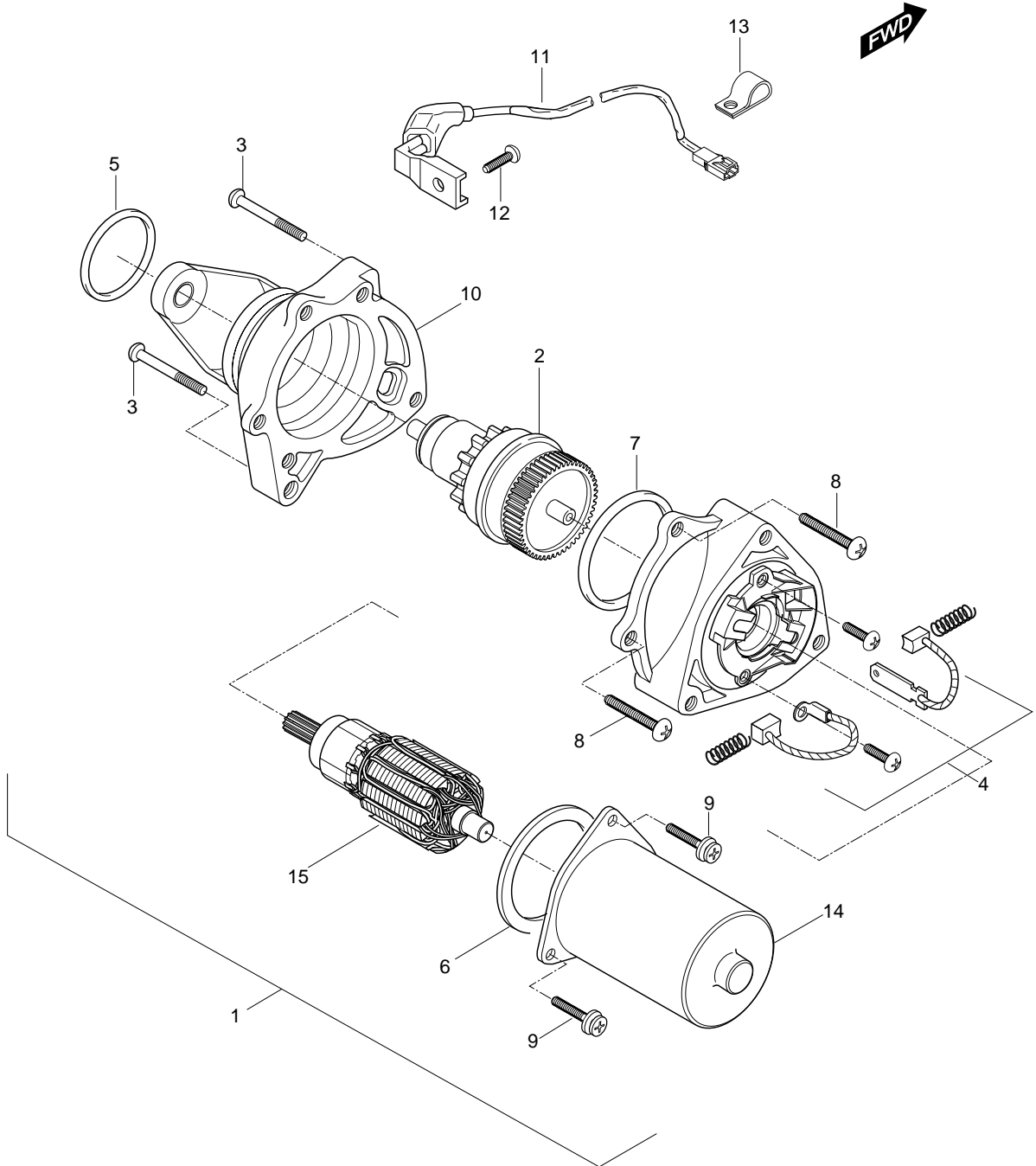


FIG 13.STARTING MOTOR

REF. PART	NUMBER.				PART NAME	Q`TY	REMARKS
NO.	LAT01	KAS01	LUS01	LUS01-1			
1	31100H11A02	31100H11A02	31100H11A02	31100H11A02	MOTER ASS'Y, starting	1	
2	31370H11200	31370H11200	31370H11200	31370H11200	PINION GEAR ASS'Y	1	
3	02112-06608	02112-06608	02112-06608	02112-06608	SCREW, starting motor mounting	2	
4	31131-02100	31131-02100	31131-02100	31131-02100	BRUSH SET	1	
5	31156-02100	31156-02100	31156-02100	31156-02100	O-RING	1	
6	31158-02540	31158-02540	31158-02540	31158-02540	GASKET	1	
7	31158-02100	31158-02100	31158-02100	31158-02100	O-RING	1	
8	31151-02540	31151-02540	31151-02540	31151-02540	SCREW, B (M4×14)	2	
9	31151-02100	31151-02100	31151-02100	31151-02100	SCREW, A (M4×30)	3	
10	31132H51600	31132H51600	31132H51600	31132H51600	HOLDER	1	
11	31151-02100	31151-02100	31151-02100	31151-02100	LEAD WIRE	1	
12	31152-02540	31152-02540	31152-02540	31152-02540	SCREW	1	
13	09404-06403	09404-06403	09404-06403	09404-06403	CLAMP	1	
14	31120H51600	31120H51600	31120H51600	31120H51600	COVER,starting MOTOR	1	
15	31311H11200	31311H11200	31311H11200	31311H11200	AMATEUR	1	

FIG 14. MAGNETO

REF. PART		NUMBER.		PART NAME		Q`TY	REMARKS
NO.	LAT01	KAS01	LUS01	LUS01-1			
0	32100HG2680	32100HF3500	32100HG2680	32100HG2680	MAGNETO ASS'Y	1	
1	08316-26108	08316-26108	08316-26108	08316-26108	NUT, magneto rotor (M10)	1	
2	08321-31108	08321-31108	08321-31108	08321-31108	LOCK WASHER, magneto	1	
3	08322-21108	08322-21108	08322-21108	08322-21108	WASHER, magneto	1	
4	08341-31039	08341-31039	08341-31039	08341-31039	KEY, magneto	1	
5	09132H05128	09132H05128	09132H05128	09132H05128	SCREW, magneto stater (M5*12)	3	
6	02112-05106	02112-05106	02112-05106	02112-05106	SCREW, pick up coil (M5*10)	2	
7	32101HG2670	32101HF3500	32101HF3500	32101HF3500	STATOR ASS'Y	1	
8	32102HG2670	32102HG2670	32102HG2670	32102HG2670	ROTOR ASS'Y	1	
9	09404-16404	09404-16404	09404-16404	09404-16404	CLAMP,magneto lead wire	1	
10	09120-06081	09120-06081	09120-06081	09120-06081	SCREW	2	

FIG 15

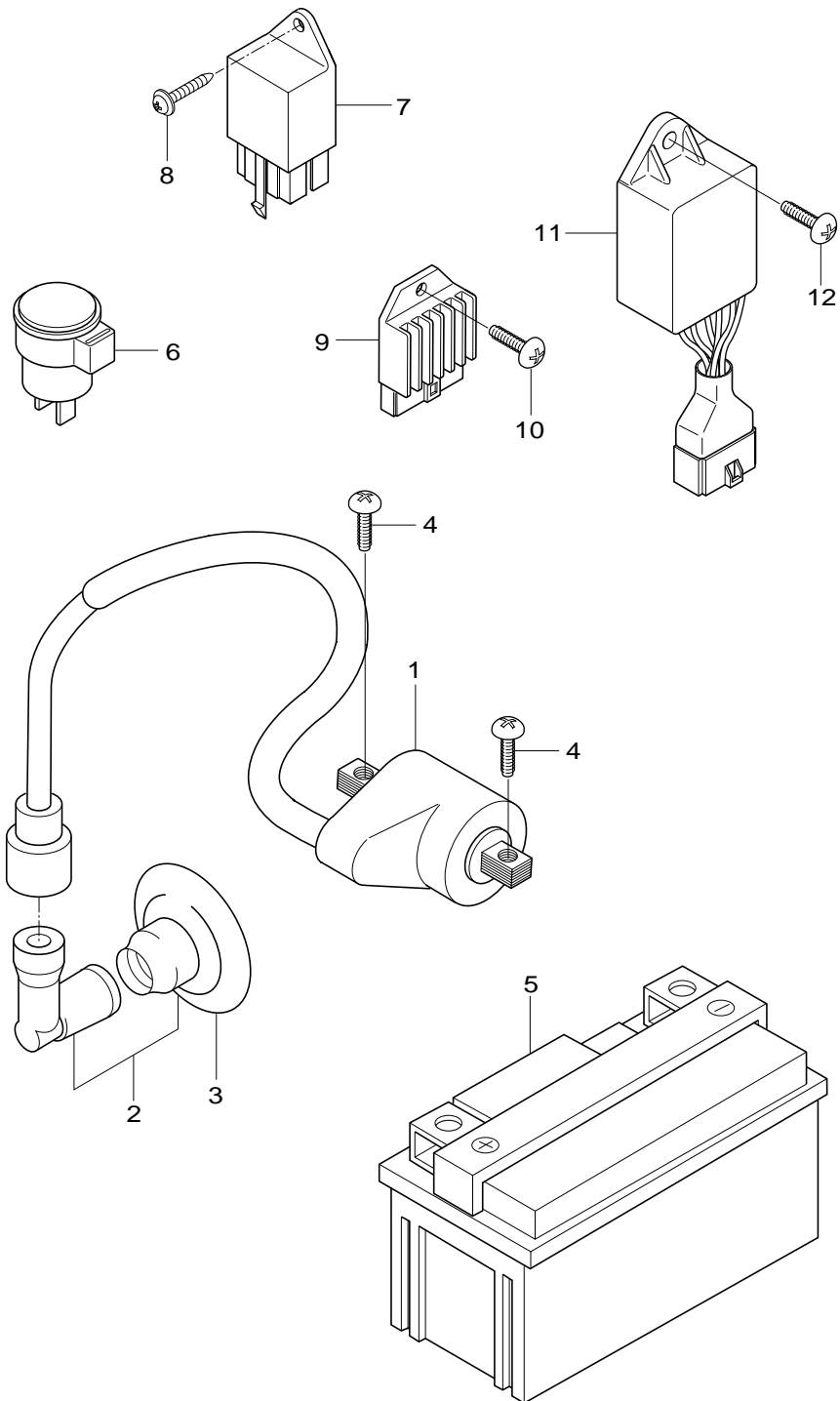


FIG15. ELECTRICAL

REF. PART	NUMBER.				PART NAME	Q`TY	REMARKS
NO.	LAT01	KAS01	LUS01	LUS01-1			
1	33410H11210	33410H11210	33410HG2600	33410HG2600	COIL ASS'Y,ignition	1	
2	33510H11200	33510H11200	33510H11200	33510H11200	CAP, spark plug	1	
3	33543HG2600	33543HG2600	33543HG2600	33543HG2600	BOOT, spark plug cap	1	
4	01134-06206	01134-06206	01134-06206	01134-06206	BOLT, ignition coil (M6*20)	2	
5	33610-40B12	33610H11A01	33610-40B12	33610-40B12	BATTERY ASS'Y (12V,M3)	1	
6	38610HF3400	38610HF3400	38610HF3400	38610HF3400	RELAY ASS'Y, turnsignal	1	
7	31800H47A00	31800H47A00	31800H47A00	31800H47A00	RELAY ASS'Y, starting motor	1	
8	02142-06128	02142-06128	02142-06128	02142-06128	SCREW, starting motor relay (M6*10)	1	
9	32800-36C20	32800-36C20	32800-36C20	32800-36C20	RECTIFIER ASS'Y	1	
10	02142-06165	02142-06165	02142-06165	02142-06165	SCREW, rectifier (M3*16)	1	
11	32900HG2650	32900HG2660	32900HG2650	32900HG2650	C.D.I UNIT	1	
12	02142-06165	02142-06165	02142-06165	02142-06165	SCREW, C.D.I unit (M6*12)	1	

FIG 16

FWD

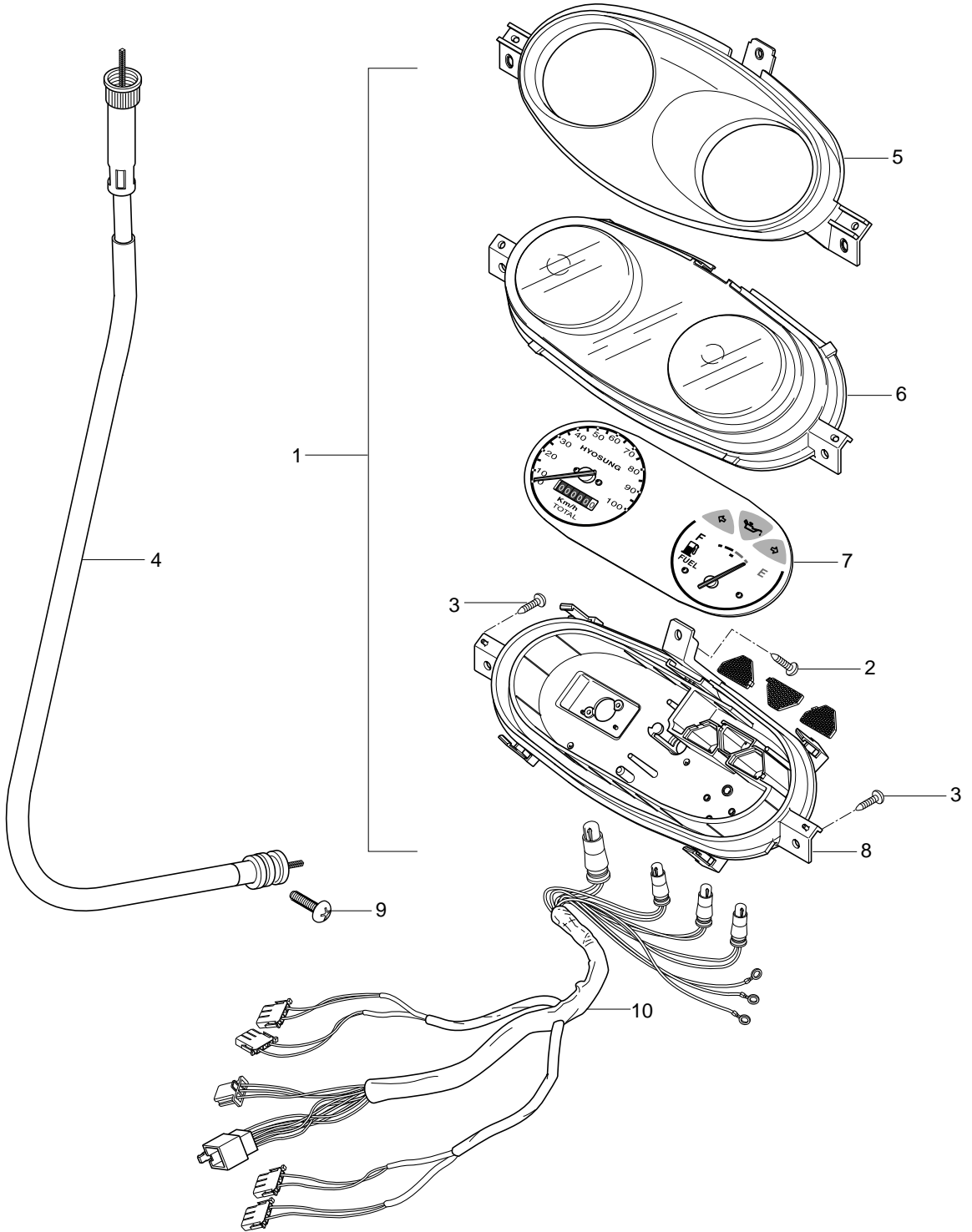


FIG 16. SPEEDOMETER

REF. PART		NUMBER.			PART NAME	Q`TY	REMARKS
NO.	LAT01	KAS01	LUS01	LUS01-1			
1	34100HG2680	34100HG26A0	34100HG2672	34100HG2672	SPEEDOMETER ASS'Y	1	
2	03241-05165	03241-05165	03241-05165	03241-05165	SCREW, speedo meter	1	
3	03241-05206	03241-05206	03241-05206	03241-05206	SCREW, speedo meter	2	
4	34910HB1101	34910HB1101	34910HB1101	34910HB1101	CABLE ASS'Y, speedometer	1	
5	34210HG2600	34210HG2600	34210HG2600	34210HG2600	DECORATION, speedometer	1	
6	34150HG2600	34150HG2600	34150HG2600	34150HG2600	WINDOW CASE	1	
7	34112HG2600	34112HG2600	34112HG2600	34112HG2600	DIAL	1	
8	34150HG2600	34150HG2600	34150HG2600	34150HG2600	CASE,SUB	1	
9	03241-05165	03241-05165	03241-05165	03241-05165	SCREW, speedometer(M5×16)	1	
10	34170HG2600	34170HG2600	34170HG2600	34170HG2600	WIRING ASS'Y	1	

FIG 17

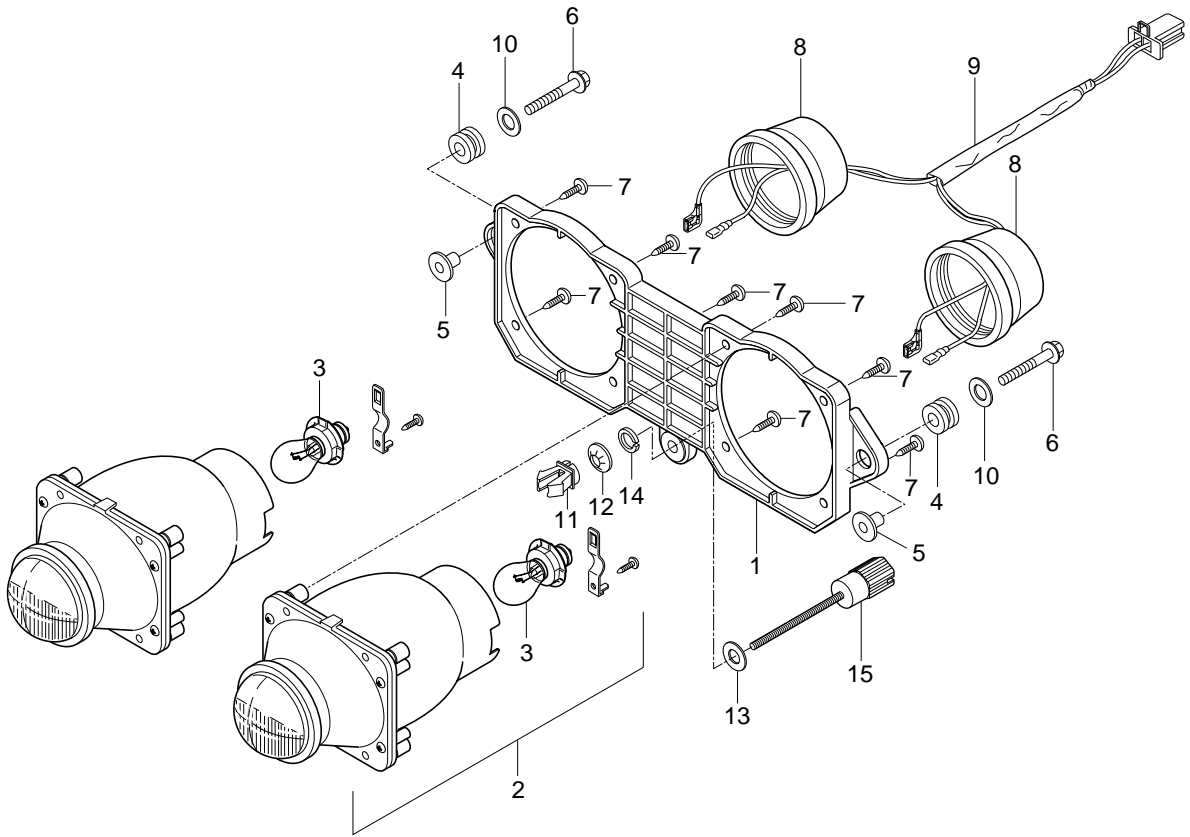
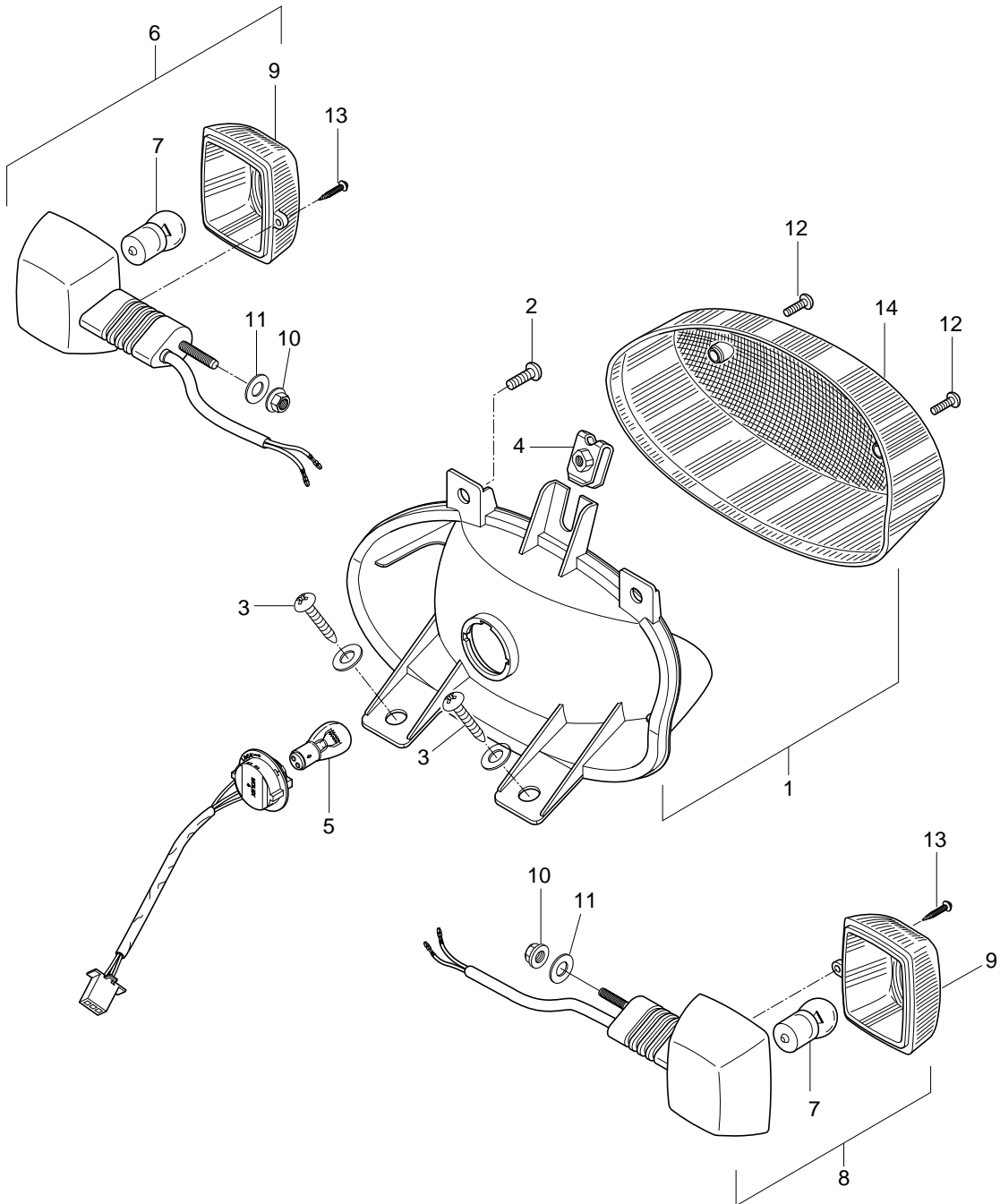


FIG 17. HEAD LAMP

REF. NO.	PART NO.	NUMBER.		PART NAME	Q`TY	REMARKS
	LAT01	KAS01	LUS01	LUS01-1		
1	35122HG2601	35122HG2601			BRACKET, head lamp	1
1-1			09111H05001	09111H05001	BOLT,head lamp	2
2	35100HG2600	35100HG2600			HEAD LAMP ASSY	2
2-1			35100HN3202	35100HN3202	HEAD LAMP ASSY	1
3	09471H11A20	09471H11A20			BULB, head lamp(12V S3: 15W)	2
3-1			09471-12101	09471-12101	BULB, head lamp(12V 35/35W)	1
4	09320-08048	09320-08048			CUSHION, head lamp bracket	2
5	09169-06070	09169-06070			PIN WASHER, head lamp bracket	2
6	01517-06308	01517-06308			BOLT, head lamp bracket(M6*30)	2
7	03211-03128	03211-03128			SCREW, head lamp (M3*12)	8
7-1			08322-21068	08322-21068	WASHER, head lamp aiming	1
8	35173HG2600	35173HG2600			DUST COVER, head lamp	2
9	35130HG2600	35130HG2600			WIRING ASSY, head lamp	1
9-1			35128H11200	35128H11200	WASHER,head lamp aiming	1
10	09160-06028	09160-06028			WASHER, head lamp bracket	2
11	35157HG2600	35157HG2600			NUT GROMMET, head, lamp aim'g(M5)	1
12	35134HG2600	35134HG2600			CIRCLIP, head lamp aim'g	1
13	35135HG2600	35135HG2600			PLATE WASHER, head lamp aim'g	1
14	35128HG2600	35128HG2600			WAVE WASHER, head lamp aim'g	1
15	35151HG2600	35151HG2600	35151H11200	35151H11200	BOLT, head lamp aim'g (M5)	1

NOT SALE

FIG 18



FWD

FIG 18. REAR COMBINATION

REF. PART		NUMBER.		PART NAME		Q`TY	REMARKS
NO.	LAT01	KAS01	LUS01	LUS01-1			
1	35710HG2660	35710HG2660	35710HG2660	35710HG2660	LAMP ASS'Y, tail & stop	1	
2	02142-06128	02142-06128	02142-06128	02142-06128	SCREW, tail & stop lamp	2	
3	03241-05125	03241-05125	03241-05125	03241-05125	SCREW, tail & stop	2	
4	09148-05039	09148-05039	09148-05039	09148-05039	NUT, tail & stop lamp	1	
5	09471-12008	09471-12008	09471-12008	09471-12008	BULB, tail & stop (12V 10/5W)	1	
6	35603HG2650	35603HG2650	35603HE3400	35603HE3400	LAMP ASS'Y, rear turnsignal R	1	
7	09471-12003	09471-12003	09471-12003	09471-12003	BULB, rear turnsignal (12V 10W)	2	
7-1			35617HG5850	35617HG5850	SPACER,t/sig lamp	2	
8	35604HG2650	35604HG2650	35604HE3400	35604HE3400	LAMP ASS'Y, rear turnsignal L	1	
9	35652-35C00	35652-35C00	35652-35C00	35652-35C00	LENS, rear turnsignal R	1	
9-1	35672-35C00	35672-35C00	35672-35C00	35672-35C00	LENS, rear turnsignal L	1	
10	08310-11068	08310-11068	08310-11068	08310-11068	NUT, rear turnsignal(M6)	2	
11	08322-21068	08322-21068	08322-21068	08322-21068	WASHER, rear turnsignal	2	
12	03211-04205	03211-04205	03211-04205	03211-04205	SCREW (M4*20)	2	
13	35625-01A00	35625-01A00	35625-01A00	35625-01A00	TAPPING SCREW	2	
14	35712HG2600	35712HG2600	35712HG2600	35712HG2600	LENS, tail & stop	1	

FIG 19

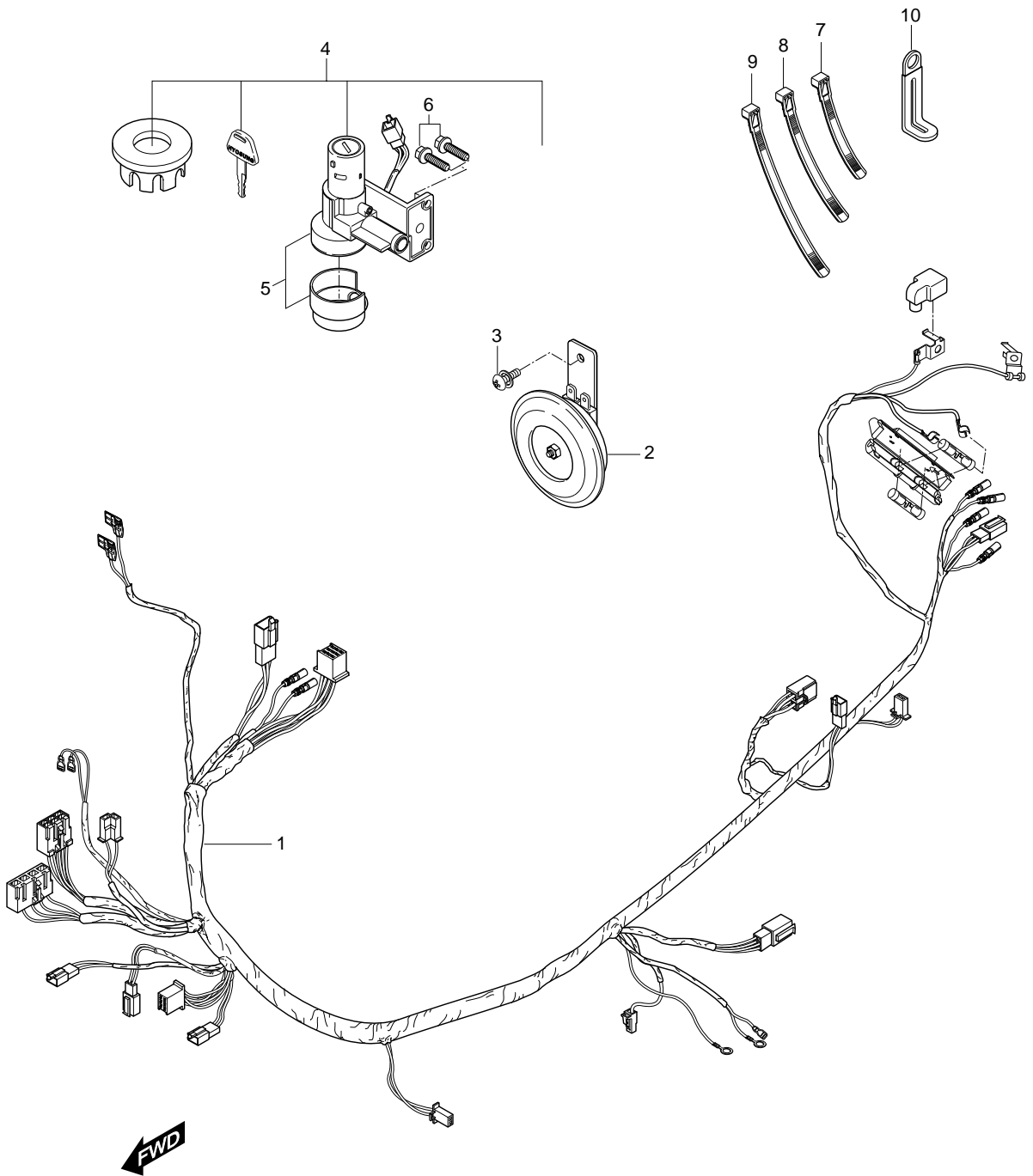


FIG 19. WIRING HARNESS

REF. PART	NUMBER.				PART NAME	Q`TY	REMARKS
NO.	LAT01	KAS01	LUS01	LUS01-1			
1	36610HG26C1	36610HG2664	36610HG26B3	36610HG26B3	HARNESS,wiring	1	
2	38500HG2650	38500HG2650	38500HN3201	38500HN3201	HORN ASS'Y	1	
3	02112-36128	02112-36128	02112-36128	02112-36128	SCREW, horn (M6*12)	1	
4	37000HG2630	37000HG2630	37000HG2630	37000HG2630	KEY SET	1	
5	37100HB1410	37100HB1410	37100HB1410	37100HB1410	LOCK ASSY, steering	1	
6	09128-06005	09128-06005	09128-06005	09128-06005	SCREW, steering look (M6*16)	1	
6-1	09139H06044	09139H06044	09128-06005	09128-06005	SCREW, steering look	1	
7	09407-11401	09407-11401	09407-11401	09407-11401	CLAMP, wiring harness	2	NOT SALE
8	09407-18402	09407-18402	09407-18402	09407-18402	CLAMP, wiring harness	3	NOT SALE
9	09407-22402	09407-22402	09407-22402	09407-22402	CLAMP, wiring harness	7	
10	09404-06401	09404-06401	09404-06401	09404-06401	CLAMP, wiring harness	2	

FIG 20

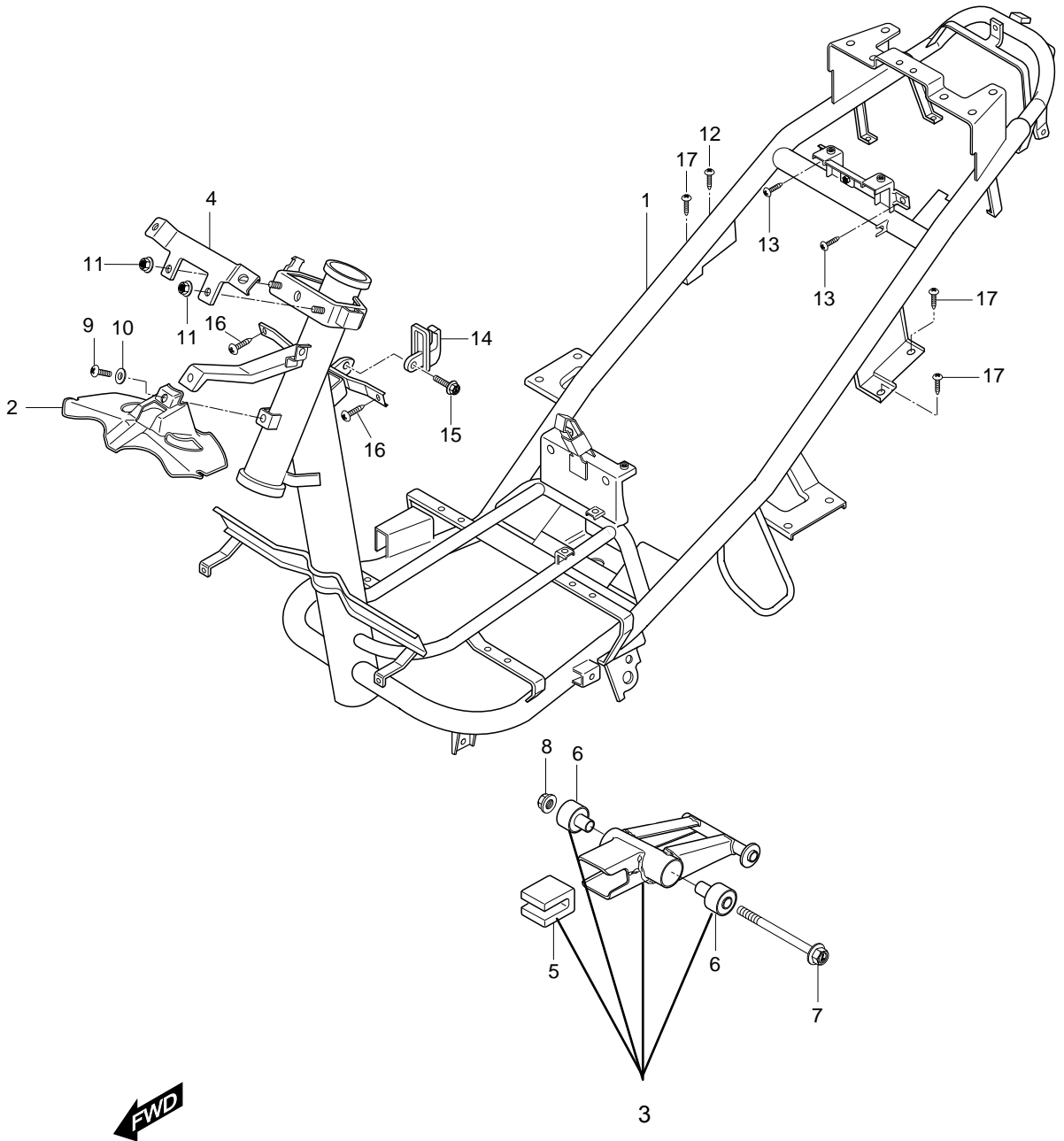


FIG 20. FRAME

REF. NO.	PART NUMBER.		PART NAME		Q`TY	REMARKS
	LAT01	KAS01	LUS01	LUS01-1		
1	41100HG2650PAM	41100HG2650PAM	41100HG2670PAM	41100HG2670PAM	FRAME COMP	1
2	53181HG260112B	53181HG260112B			FENDER, front upper	1
3	61110HG2603HPA	61110HG2603HPA	61110HG2603HPA	61110HG2603HPA	LINK COMP, engine mounting	1
4	41512HG2600	41512HG2600	41512HG2600	41512HG2600	BRACKET, leg front upper	1
5	61121H11201	61121H11201	61121H11201	61121H11201	CUSHION, engine mounting link	1
6	09319H12025	09319H12025	09319H12025	09319H12025	BUSH, engine mounting link	2
7	09103-12045	09103-12045	09103-12045	09103-12045	BOLT, engine mounting link	1
8	08319-31126	08319-31126	08319-31126	08319-31126	NUT, engine mounting link	1
9	02142-06165	02142-06165			SCREW, front fender upper	1
10	09169-06034	09169-06034			WASHER, front fender upper	1
11	08316-26066	08316-26066	08316-26066	08316-26066	NUT, leg front upper bracket	2
12	03241-05108	03241-05108	03241-05108	03241-05108	SCREW, frame & side cover lower	1
13	02142-05305	02142-05305	02142-05305	02142-05305	SCREW, side cover & frame	2
14	92113HG260126B	92113HG260126B	92113HG260126B	92113HG260126B	HOOK, leg shield cover	1
15	01517-06125	01517-06125	01517-06125	01517-06125	BOLT, leg shield cover hook	1
16	03241-05165	03241-05165	03241-05165	03241-05165	SCREW, frame & leg shield cover	2
17	03241-05165	03241-05165	03241-05165	03241-05165	SCREW, frame & side cover lo R/L	3

FIG 21

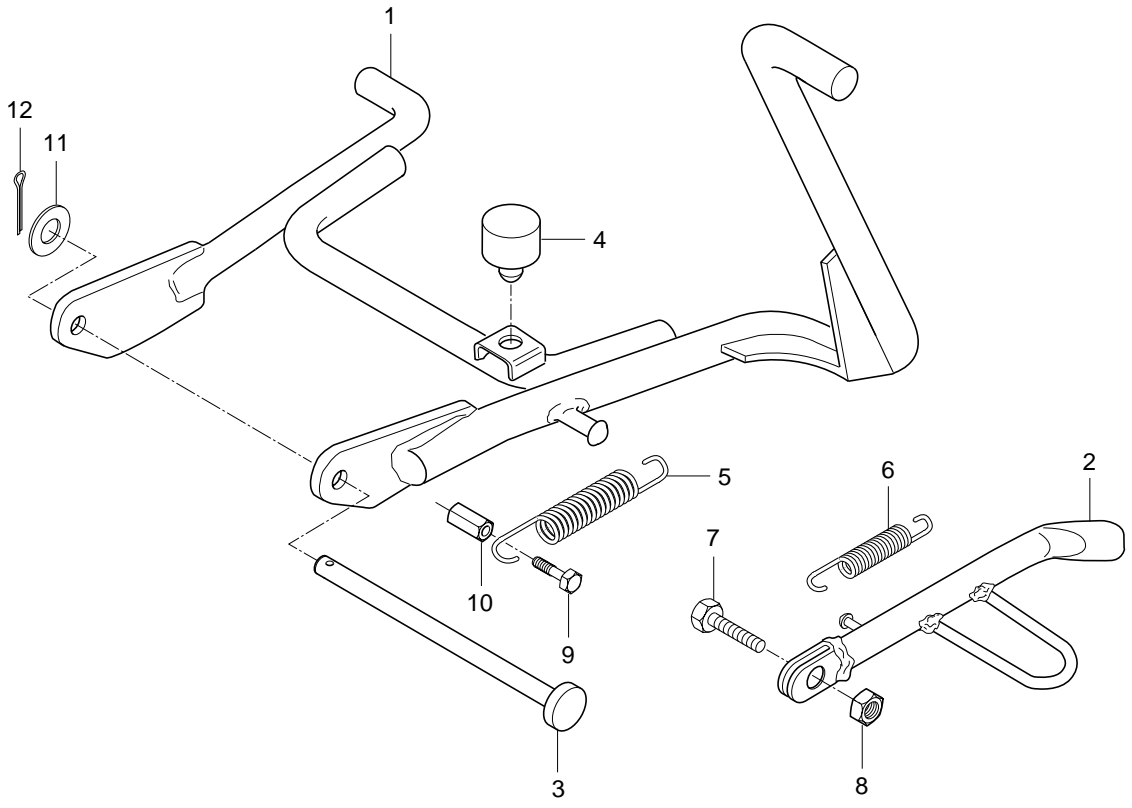


FIG 21. STAND

REF. PART		NUMBER.		PART NAME		Q`TY	REMARKS
NO.	LAT01	KAS01	LUS01	LUS01-1			
1	42110HG2605	42110HG2605	42110HG2605	42110HG2605	STAND COMP, center	1	
2	42310HG2651	42310HG2651	42310HG2651	42310HG2651	STAND COMP,prop	1	
3	42211HG2600	42211HG2600	42211HG2600	42211HG2600	SHAFT, center stand pivot	1	
4	09321-10002	09321-10002	09321-10002	09321-10002	CUSHION, center stand spring	1	
5	09443H10001	09443H10001	09443H10001	09443H10001	SPRING, center stand	1	
6	09443-14036	09443-14036	09443-14036	09443-14036	SPRING, prop stand	1	
7	09100-10031	09100-10031	09100-10031	09100-10031	BOLT, prop stand (M10*30)	1	
8	08313-11107	08313-11107	08313-11107	08313-11107	NUT, prop stand(M10)	1	
9	09100-06078	09100-06078	09100-06078	09100-06078	BOLT, center stand spring(M6*33)	1	
10	09140-06007	09140-06007	09140-06007	09140-06007	NUT, center stand spring	1	
11	08322-11106	08322-11106	08322-11106	08322-11106	WASHER, center stand	1	
12	09204-02003	09204-02003	09204-02003	09204-02003	COTTER PIN, center stand	1	

FIG 22

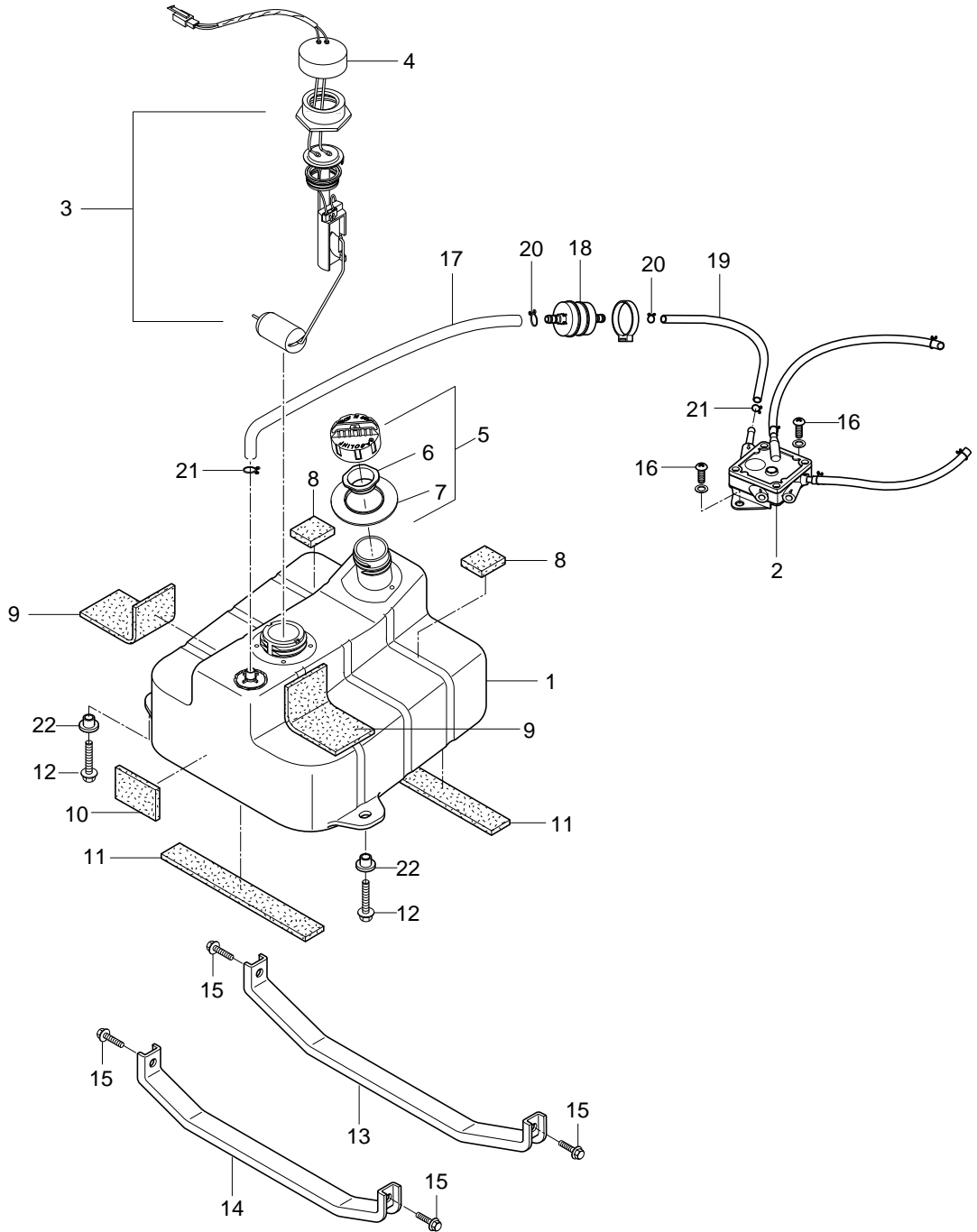


FIG 22. FUEL TANK

REF. NO.	PART NO.	NUMBER.			PART NAME	Q`TY	REMARKS
	LAT01	KAS01	LUS01	LUS01-1			
1	44100HG2601	44100HG2601	44100HG2601	44100HG2601	TANK COMP, fuel	1	
2	15100HG2600	15100HG2600	15100HG2600	15100HG2600	PUMP ASS'Y, fuel	1	
3	34810HG2600	34810HG2600	34810HG2600	34810HG2600	GAUGE ASS'Y, fuel sender	1	
4	44587H11200	44587H11200	44587H11200	44587H11200	CAP, fuel sender	1	
5	44200H11203	44200H11203	44200H11203	44200H11203	CAP, fuel tank	1	
6	44241H11202	44241H11202	44241H11202	44241H11202	GASKET, fuel tank cap No.1	1	
7	44261H11201	44261H11201	44261H11201	44261H11201	GASKET, fuel tank cap No.2	1	
8	44613HE7100	44613HE7100	44613HE7100	44613HE7100	CUSHION, fuel tank	2	
9	44219HG2600	44219HG2600	44219HG2600	44219HG2600	CUSHION, fuel tank	2	NOT SALE
10	44218HF4500	44218HF4500	44218HF4500	44218HF4500	CUSHION, fuel tank	1	
11	44612HE7100	44612HE7100	44612HE7100	44612HE7100	CUSHION, fuel tank	2	
12	01517-06165	01517-06165	01517-06165	01517-06165	BOLT, fuel tank	2	
13	41712HG2602	41712HG2602	41712HG2602	41712HG2602	BRACKET, fuel tank lower rear	1	
14	41711HG2602	41711HG2602	41711HG2602	41711HG2602	BRACKET, fuel tank lower front	1	
15	01517-06125	01517-06125	01517-06125	01517-06125	BOLT, fuel tank lower bracket	4	
16	02112-35168	02112-35168	02112-35168	02112-35168	SCREW, fuel pump	2	
17	44199HG2604	44199HG2604	44199HG2604	44199HG2604	HOSE, fuel strainer inlet	1	
18	44910HG2600	44910HG2600	44910HG2600	44910HG2600	STARINER COMP, fuel	1	
19	44197HG2602	44197HG2602	44197HG2602	44197HG2602	HOSE, fuel strainer outlet	1	
20	09401-08401	09401-08401	09401-08401	09401-08401	CLIP, fuel hose	2	
21	09401-09101	09401-09101	09401-09101	09401-09101	CLIP, fuel hose	2	
22	09180-06038	09180-06038	09180-06038	09180-06038	SPACER	2	

FIG 23

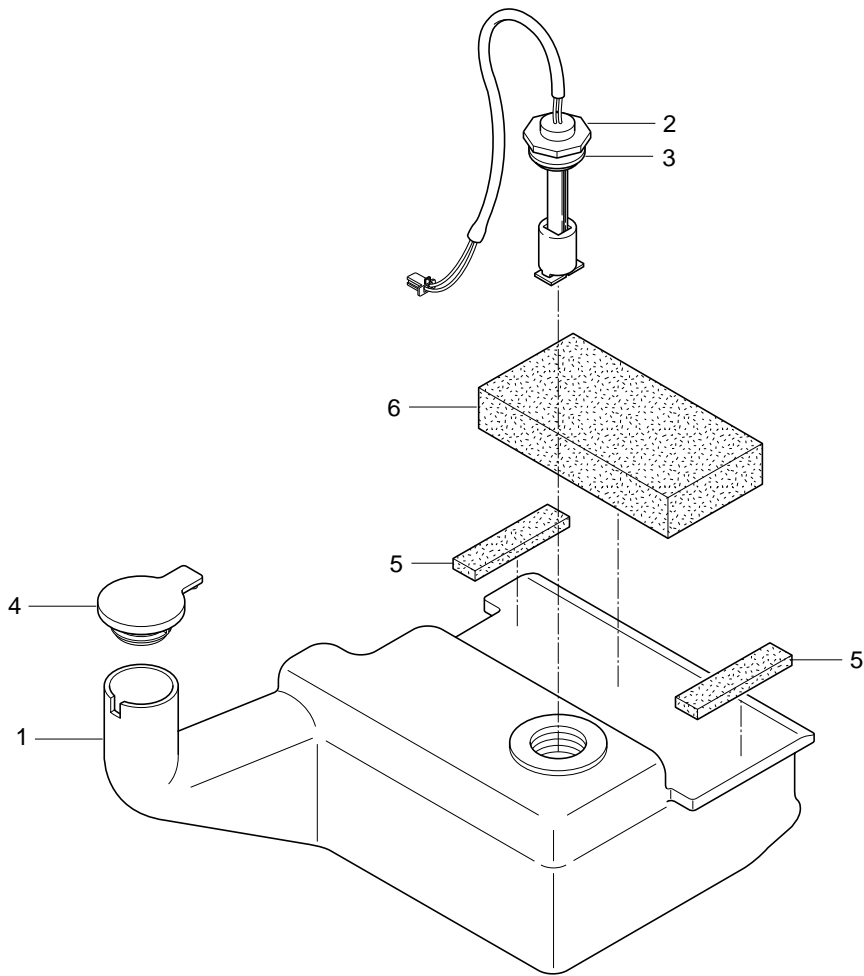


FIG 23. OIL TANK

REF. PART		NUMBER.		PART NAME		Q`TY	REMARKS
NO.	LAT01	KAS01	LUS01	LUS01-1			
1	44610HG2650	44610HG2603	44610HG2650	44610HG2650	TANK SET, oil	1	
2	37880HG2600	37880HG2600	37880HG2600	37880HG2600	SWITCH ASS'Y, oil level	1	
3	44668HG2600	44668HG2600	44668HG2600	44668HG2600	GASKET, oil level switch	1	
4	44651HG2600	44651HG2600	44651HG2600	44651HG2600	CAP, oil tank filler	1	
5	44616HG2600	44616HG2600	44616HG2600	44616HG2600	CUSHION, oil tank & helmet box	2	
6	33653HG2600	33653HG2600	33653HG2600	33653HG2600	CUSHION,oil tank & battery	1	

FIG 24

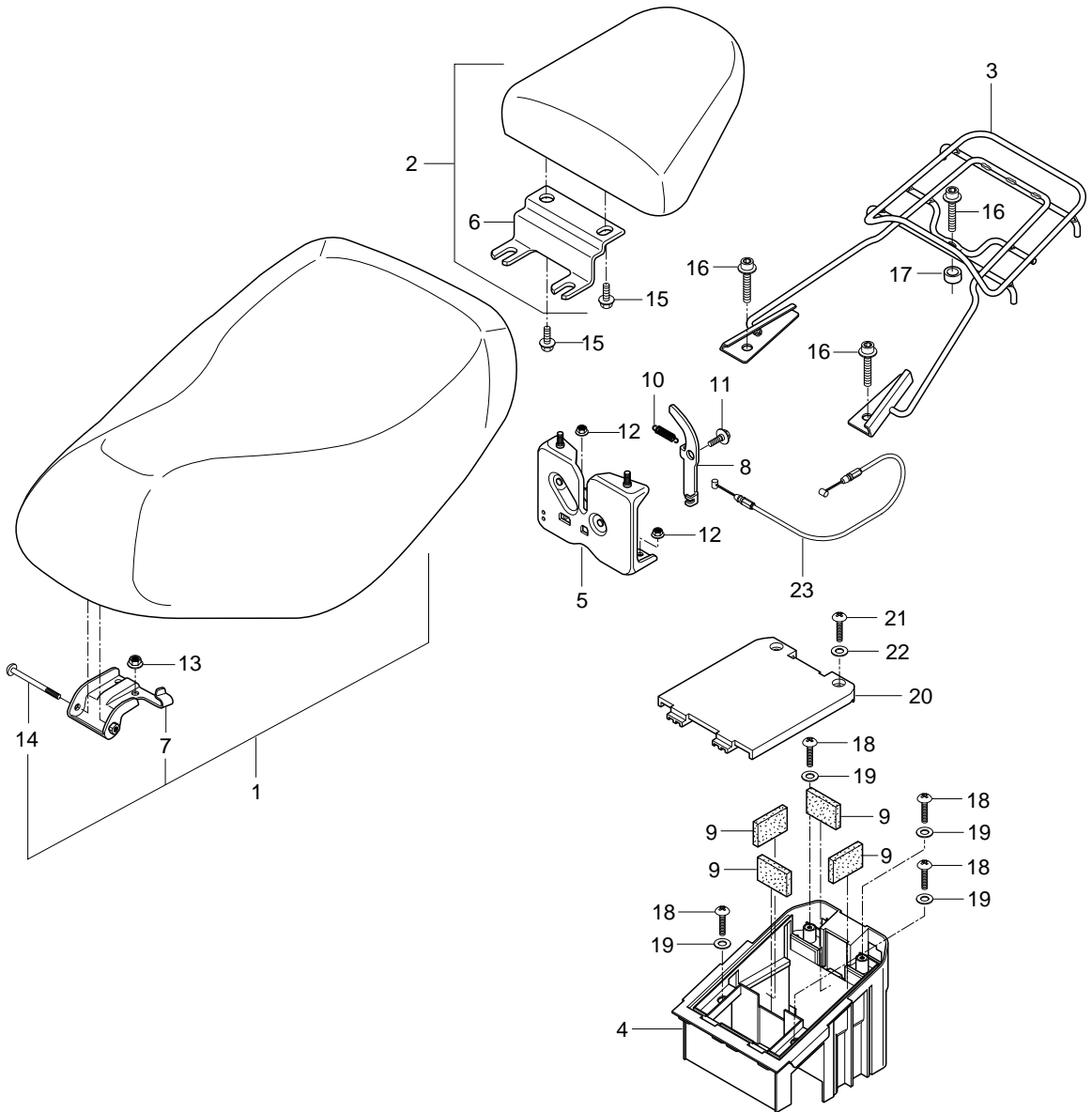


FIG 24. SEAT

REF. PART NUMBER.					PART NAME	Q`TY	REMARKS
NO. LAT01	KAS01	LUS01	LUS01-1				
1	45100HG2603	45100HG2603	45100HG2603	45100HG2603	SEAT SET, front	1	
2	45200HG2603	45200HG2603	45200HG2603	45200HG2603	SEAT SET, pillion	1	
3	46410HG2600	46410HG2600	46410HG2600	46410HG2600	CARRIER COMP, rear	1	NOT SALE
4	92311HG260226B	92311HG260226B	92311HG260226B	92311HG260226B	BOX, helmet rear	1	
5	45220HG2601	45220HG2601	45220HG2601	45220HG2601	LOCK, seat stricker	1	
6	45293HG2600	45293HG2600	45293HG2600	45293HG2600	BRACKET, pillion seat	1	NOT SALE
7	45285HE7100	45285HE7100	45285HE7100	45285HE7100	BRACKET, seat support front	1	
8	45551HG2601	45551HG2601	45551HG2601	45551HG2601	PLATE, seat striker lock No.3	1	NOT SALE
9	44218HF4500	44218HF4500	44218HF4500	44218HF4500	CUSHION, helmet box	4	
10	09443H06006	09443H06006	09443H06006	09443H06006	SPRING, seat stricker lock No.3 & frame	1	NOT SALE
11	09111-06019	09111-06019	09111-06019	09111-06019	BOLT, seat striker & frame	1	
12	08316-26066	08316-26066	08316-26066	08316-26066	NUT, seat stricker lock	2	
13	08316-26066	08316-26066	08316-26066	08316-26066	NUT, seat support front	2	
14	45215HE7100	45215HE7100	45215HE7100	45215HE7100	BOLT	1	
15	01104-06128	01104-06128	01104-06128	01104-06128	BOLT	2	
16	07120-08258	07120-08258	07120-08258	07120-08258	BOLT, grip stand	4	
17	09180-08145	09180-08145	09180-08145	09180-08145	SPACER, side cover & carrier	1	NOT SALE
18	02142-06165	02142-06165	02142-06165	02142-06165	SCREW, helmet box & frame	4	
19	09169-06034	09169-06034	09169-06034	09169-06034	WASHER, helmet box & frame	4	
20	92331HG260026B	92331HG260026B	92331HG260026B	92331HG260026B	COVER, battery	1	
21	02142-06125	02142-06125	02142-06125	02142-06125	SCREW, battery cov & helmet box	2	
22	09169-05009	09169-05009	09169-05009	09169-05009	WASHER, battery cov & helmet box	2	
23	45280HG2602	45280HG2602	45280HG2602	45280HG2602	CABLE ASS'Y, seat lock	1	
24	47510HG260003P	47510HG260003P			GRIP COMP, handle R	1	
25	47610HG260003P	47610HG260003P			GRIP COMP, handle L	1	
26	07120-08218	07120-08218			BOLT,handle grip	4	

FIG 24

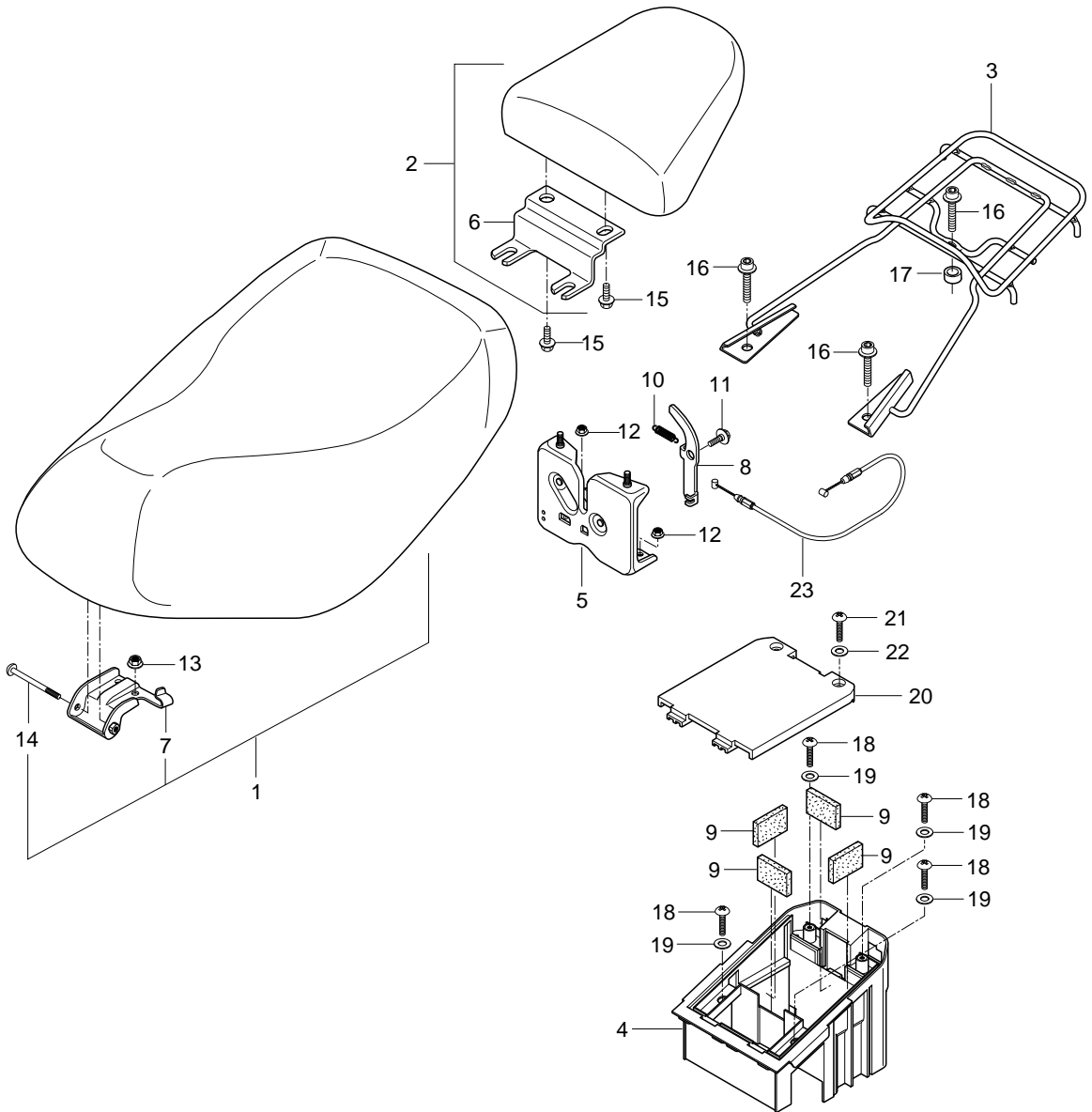


FIG 24. SEAT

REF. PART	NUMBER.			PART NAME	Q`TY	REMARKS
NO. LAT01	KAS01	LUS01	LUS01-1			
27		01517-08358	01517-08358	BOLT,rear carrier	2	
28		09180H081F5	09180H081F5	SPACER,rear carrier	2	
29		09169H08002	09169H08002	WASHER,rear carrier rr	1	
30		46411HM360603P	46411HM360603P	CARRIER,rear	1	

FIG 25

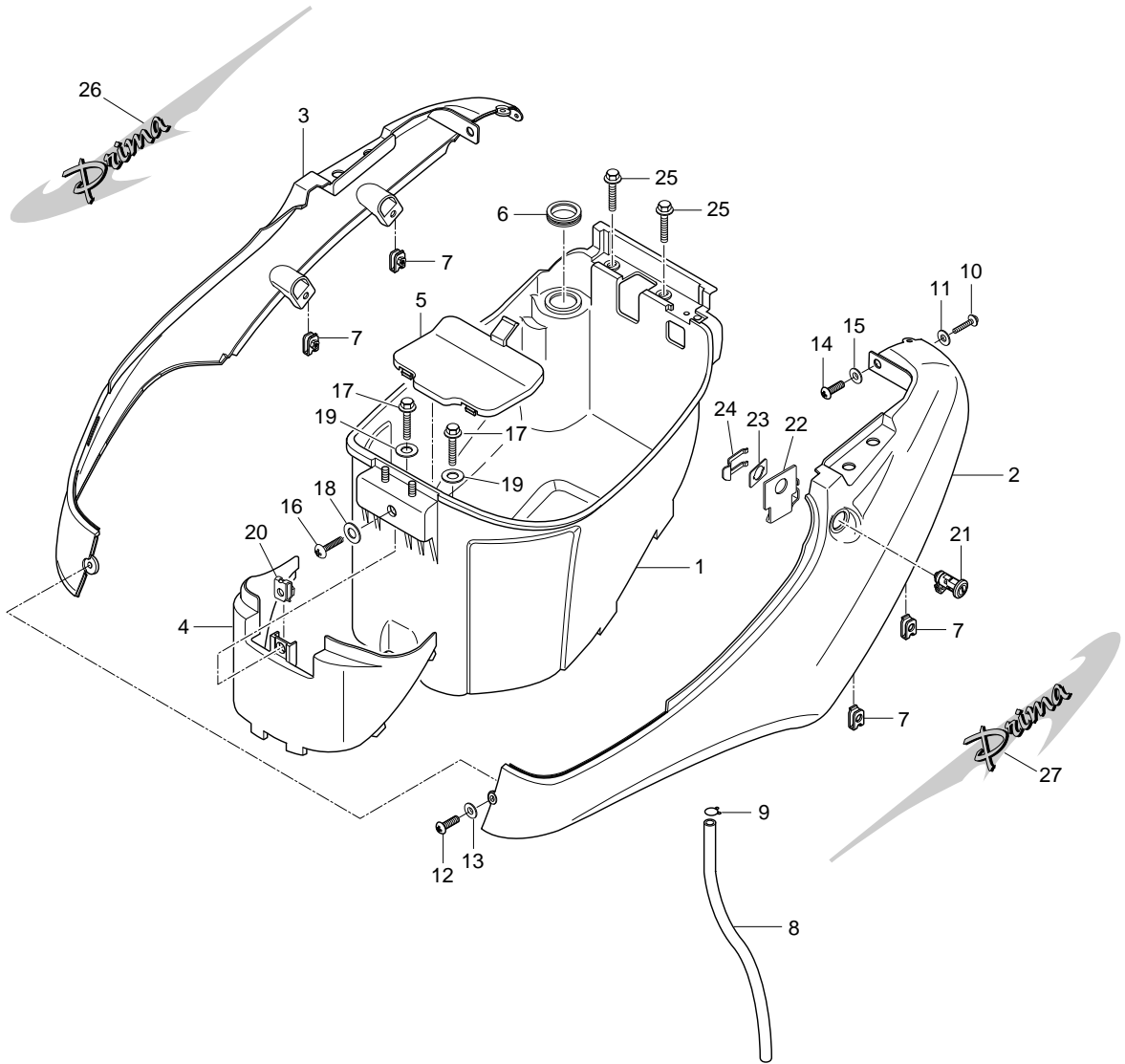


FIG 25. SIDE COVER

REF. PART	NUMBER.				PART NAME	Q`TY	REMARKS
NO.	LAT01	KAS01	LUS01	LUS01-1			
1	91311HG2604	91311HG2604	91311HG2604	91311HG2604	BOX, helmet front	1	
2	47211HK2710	47211HG2603	47211HK2710	47211HK2710	SIDE COVER, L (COLOR)	1	
3	47111HK2710	47111HG2603	47111HK2710	47111HK2710	SIDE COVER, R (COLOR)	1	
4	47311HG260026B	47311HG260026B	47311HG260026B	47311HG260026B	COVER, side center	1	
5	92321HG260226B	92321HG260226B	92321HG260226B	92321HG260226B	COVER, helmet box inner	1	
6	44668HG2600	44668HG2600	44668HG2600	44668HG2600	GASKET, oil tank cap lower	1	
7	09148-05020	09148-05020	09148-05020	09148-05020	NUT, side cover R/L	4	
8	09343-05052	09343-05052	09343-05052	09343-05052	HOSE, helmet box drain	1	
9	09401-08401	09401-08401	09401-08401	09401-08401	CLIP, helmet box drain hose	1	
10	02152-05225	02152-05225	02152-05225	02152-05225	SCREW, side cover & rear combi	1	
11	09169-05009	09169-05009	09169-05009	09169-05009	WASHER, side cover & rear combi	1	
12	02142-06255	02142-06255	02142-06255	02142-06255	SCREW, side cover & leg shield rear	1	
13	09169-06070	09169-06070	09169-06070	09169-06070	WASHER, side cover & leg shield rear	1	
14	02142-06255	02142-06255	02142-06255	02142-06255	SCREW, side cover rear ctr front	1	
15	09169H06077	09169H06077	09169H06077	09169H06077	WASHER, side cover rear ctr front	1	
16	01517-06205	01517-06205	01517-06205	01517-06205	BOLT, helmet box & side cover fr ctr	1	
17	01517-06168	01517-06168	01517-06168	01517-06168	BOLT, helmet box	2	
18	09169-06034	09169-06034	09169-06034	09169-06034	WASHER, helmet box & side cover fr ctr	1	
19	09160-06034	09160-06034	09160-06034	09160-06034	WASHER, helmet box front	2	
20	09148-06020	09148-06020	09148-06020	09148-06020	NUT, helmet box & side cover fr ctr	1	
21	45700HG2600	45700HG2600	45700HG2600	45700HG2600	LOCK ASSY, seat	1	
22	45381HG2601	45381HG2601	45381HG2601	45381HG2601	GUIDE, seat lock cable	1	
23	92413HF4501	92413HF4501	92413HF4501	92413HF4501	WASHER, side cover L	1	
24	92414HF4500	92414HF4500	92414HF4500	92414HF4500	LOCK, key set	1	
25	01517-06168	01517-06168	01517-06168	01517-06168	BOLT, helmet box	2	
26	68134HG2600	68134HG2600	68134HK2710	68134HK2710	TAPE, side cover R (COLOR)	1	
27	68136HG2600	68136HG2600	68136HK2710	68136HK2710	TAPE, side cover L (COLOR)	1	

FIG 26

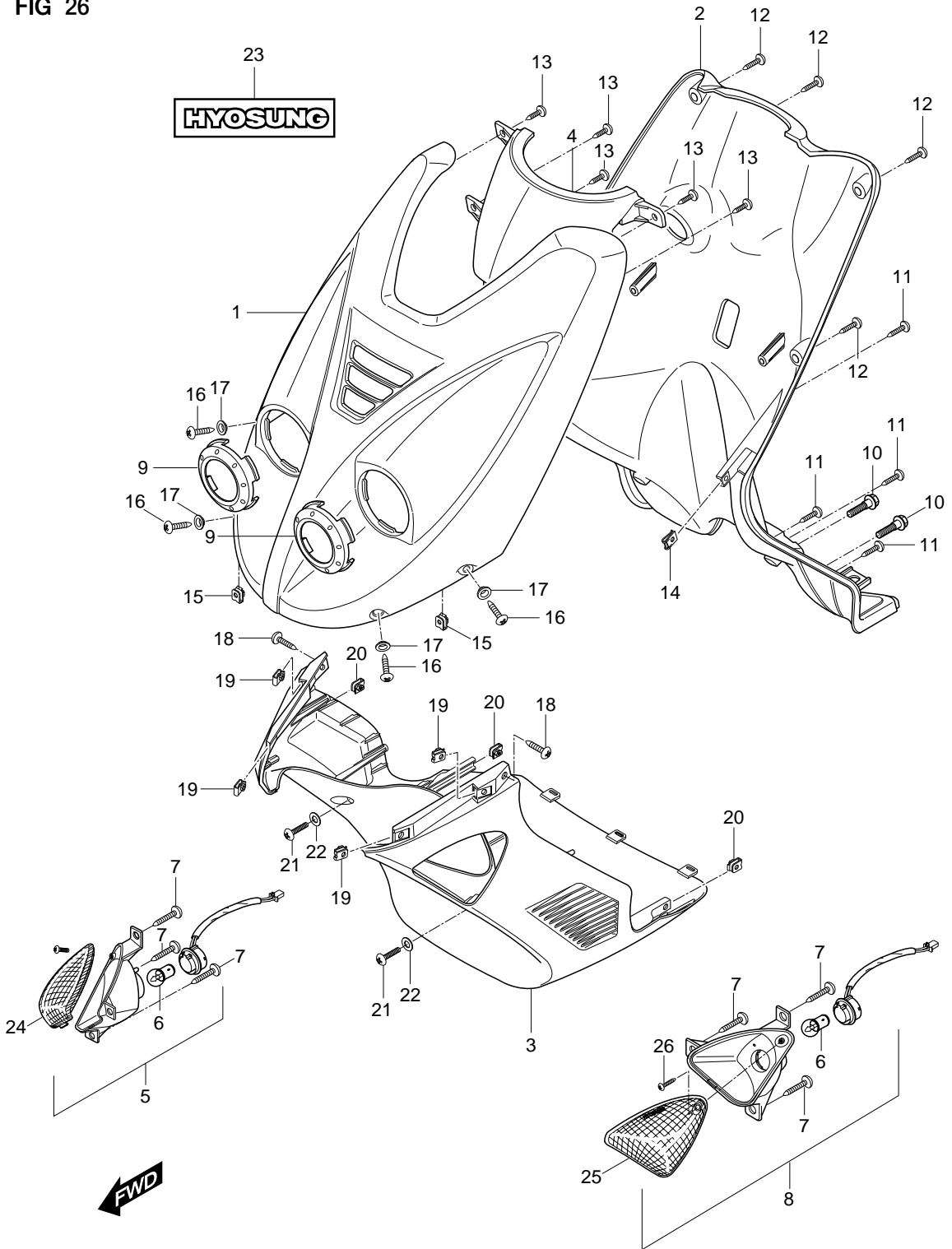


FIG 26. FRONT LEG SHIELD

REF. NO.	PART NO.	NUMBER.			PART NAME	Q`TY	REMARKS
	LAT01	KAS01	LUS01	LUS01-1			
1	48111HG2602	48111HG2602	48111HM3604	48111HM3604	SHIELD, leg front (COLOR)	1	
2	92111HG260426B	92111HG260426B	92111HG260426B	92111HG260426B	COVER, leg shield	1	
3	48137HG260203P	48137HG260203P	48137HK271003P	48137HK271003P	SHIELD, leg lower front	1	
4	48211HG260326B	48211HG260326B	48211HG260326B	48211HG260326B	SHIELD, leg front upper	1	
5	35601HG2651	35601HG2651	35601HG2651	35601HG2651	LAMP ASSY, front turnsignal R	1	
6	09471-12003	09471-12003	09471-12003	09471-12003	BULB, front turnsignal(12V 10W)	2	
7	03241-05165	03241-05165	03241-05165	03241-05165	SCREW, front turnsignal lamp	6	
8	35602HG2651	35602HG2651	35602HG2651	35602HG2651	LAMP ASSY, front turnsignal L	1	
9	48112HG260112B	48112HG260112B			COVER, head lamp	2	
10	09111H06E06	09111H06E06	09111H06E06	09111H06E06	BOLT, leg shield cover & frame	2	
11	03241-05165	03241-05165	03241-05165	03241-05165	SCREW, leg shield cover & lower fr	4	
12	03241-05165	03241-05165	03241-05165	03241-05165	SCREW, leg shield cover & front	4	
13	03241-05165	03241-05165	03241-05165	03241-05165	SCREW, leg shield front upper & front	5	
14	09148-05020	09148-05020	09148-05020	09148-05020	NUT, leg shield lower fr & leg cover	2	
15	09148-06020	09148-06020	09148-06020	09148-06020	NUT, head lamp & leg shield front	2	
16	03241-05165	03241-05165	03241-05165	03241-05165	SCREW, leg shield front & low fr	4	
17	08322-21055	08322-21055	08322-21055	08322-21055	WASHER, leg shield front & low fr	4	
18	03241-05165	03241-05165	03241-05165	03241-05165	SCREW, leg shield lo fr & cov leg	2	
19	09148-05020	09148-05020	09148-05020	09148-05020	NUT, leg shield front & lower fr	4	
20	09148-06020	09148-06020			NUT, leg shield low rear & front	2	
21	02142-06165	02142-06165	02142-06165	02142-06165	SCREW, leg shield low front & frame	2	
22	09169-06034	09169-06034	09169-06034	09169-06034	WASHER, leg shield low front & frame	2	
23	68210HG2600OMN	68210HG2600OMN	68210HK27100MN	68210HK27100MN	EMBLEM, leg shield front	1	
24	35612HG2600	35612HG2600	35612HG2600	35612HG2600	LENS, front turnsignal R	1	
25	35632HG2600	35632HG2600	35632HG2600	35632HG2600	LENS, front turnsignal L	1	
26	03211-04145	03211-04145	03211-04145	03211-04145	SCREW (M4×14)	2	
27			48150HN3200	48150HN3200	GRILL COMP,leg shield ft	1	

FIG 26

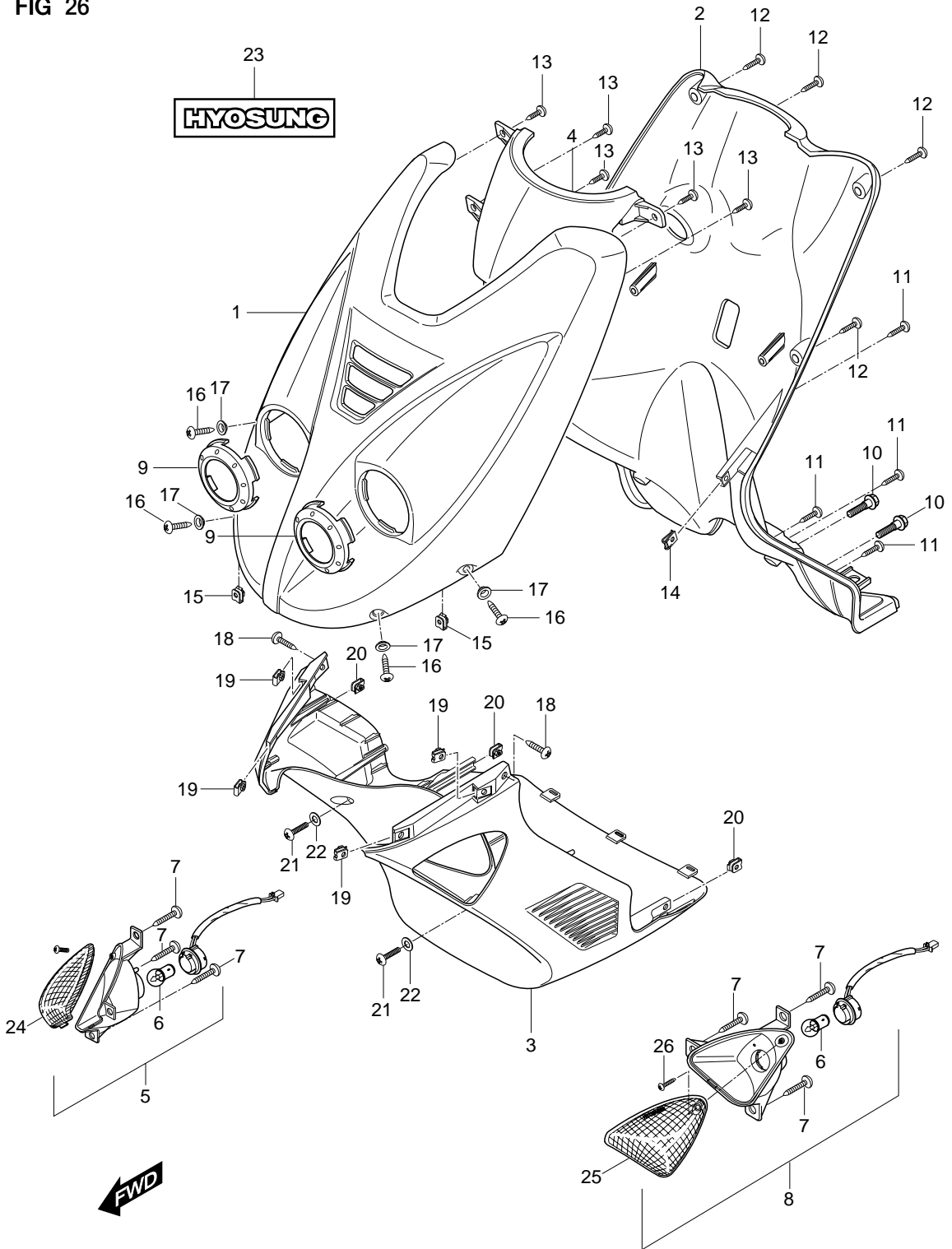


FIG 26. FRONT LEG SHIELD

REF. PART	NUMBER.			PART NAME	Q`TY	REMARKS
NO. LAT01	KAS01	LUS01	LUS01-1			
28		02142-05165	02142-05165	SCREW,leg shild ft gril	4	
29		08322-21056	08322-21056	WASHER,leg shield ft gril	4	
30		08316-26056	08316-26056	NUT,leg shield ft grill	4	
31		48115HM3600	48115HM3600	PLATE,head lamp aiming	1	
32		03241-05166	03241-05166	SCREW,h/lamp aiming plt	2	

FIG 27

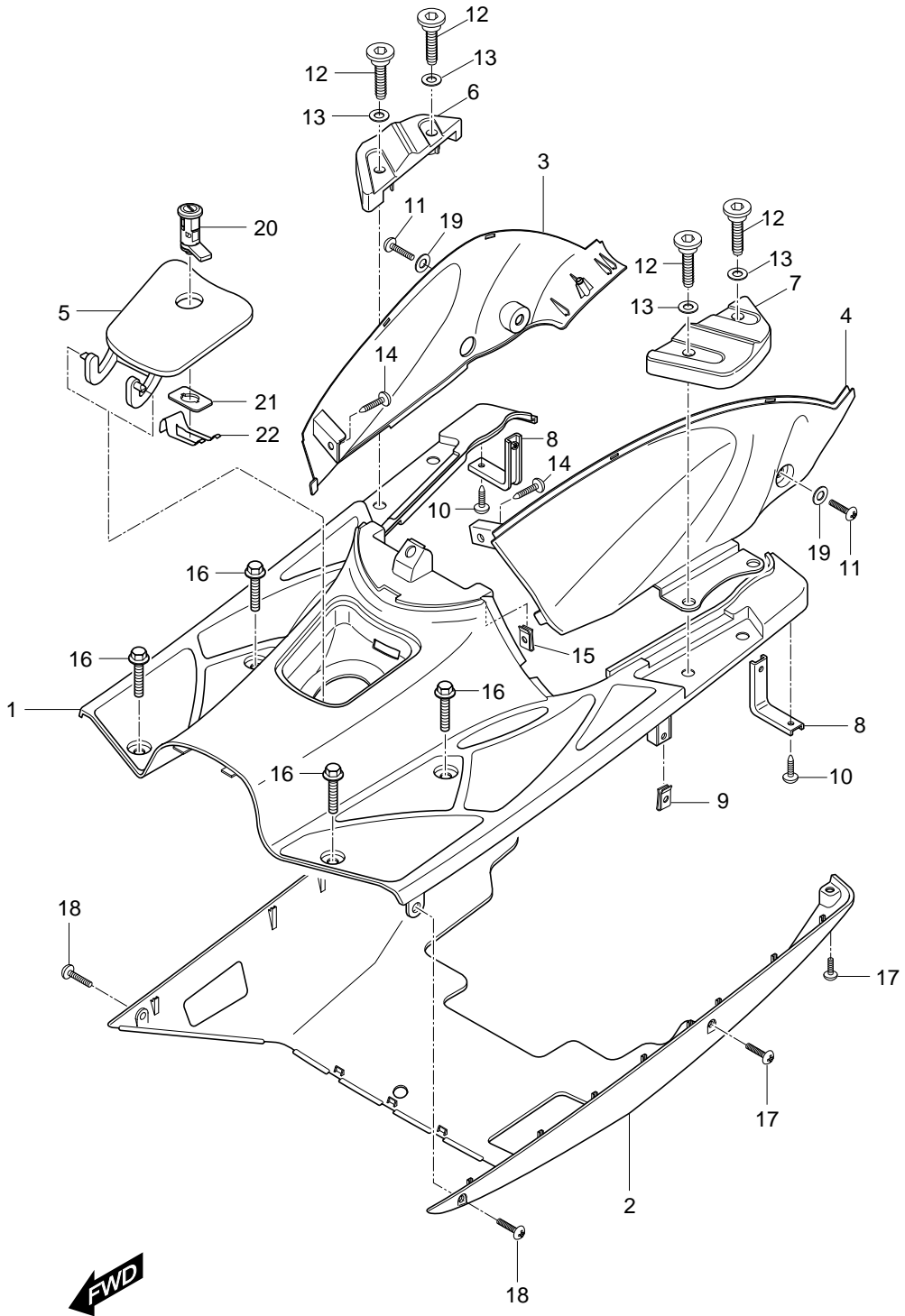


FIG 27. REAR LEG SHIELD

REF. PART NO.	NUMBER.				PART NAME	Q`TY	REMARKS
LAT01	KAS01	LUS01	LUS01-1				
1	48121HG260112B	48121HG260112B	48121HG260112B	48121HG260112B	SHILED, leg rear	1	
2	48147HG260203P	48147HG260203P	48147HG260203P	48147HG260203P	SHILED, leg lower rear	1	
3	47151HG260326B	47151HG260326B	47151HG260326B	47151HG260326B	COVER, side front R	1	
4	47251HG260326B	47251HG260326B	47251HG260326B	47251HG260326B	COVER, side front L	1	
5	48122HG260126B	48122HG260126B	48122HG260126B	48122HG260126B	COVER, fuel tank	1	
6	43611HG2600	43611HG2600	43611HG2600	43611HG2600	FOOTREST, pillion R	1	
7	43621HG2600	43621HG2600	43621HG2600	43621HG2600	FOOTREST, pillion L	1	
8	47155HG2601	47155HG2601	47155HG2601	47155HG2601	PLATE, side cov front & leg rear	2	
9	09148-05020	09148-05020	09148-05020	09148-05020	NUT, leg shield rr& leg rr	2	
10	03241-05125	03241-05125	03241-05125	03241-05125	SCREW, side cov fr plate & leg rr	2	
11	02142-06125	02142-06125	02142-06125	02142-06125	SCREW, side cover front & plate	1	
12	07110-06256	07110-06256	07110-06256	07110-06256	BOLT, pillion footrest	4	
13	08322-21066	08322-21066	08322-21066	08322-21066	WASHER, pillion footrest	4	
14	03241-05125	03241-05125	03241-05125	03241-05125	SCREW, side cov front & leg rear	2	
15	09148-05020	09148-05020	09148-05020	09148-05020	NUT, side cov front & leg rear	2	
16	09111H06E06	09111H06E06	09111H06E06	09111H06E06	BOLT, leg shield rear & frame	4	
17	03241-05165	03241-05165	03241-05165	03241-05165	SCREW, leg shield lo rr & leg rr	4	
18	02142-06255	02142-06255	02142-06255	02142-06255	SCREW, leg shield lower rear & front	2	
19	09169-06034	09169-06034	09169-06034	09169-06034	WASHER, side cover front & plate	2	
20	44200HF4500	44200HF4500	44200HF4500	44200HF4500	LOCK ASSY, fuel tank	1	
21	92413HF4501	92413HF4501	92413HF4501	92413HF4501	WASHER, fuel tank cover	1	
22	92414HF4500	92414HF4500	92414HF4500	92414HF4500	LOCK, fuel tank key	1	
23			68319HG2670	68319HG2670	LABEL,caution no.1	1	
24			68332HG2170	68332HG2170	LABEL,caution no.2	1	
25			68331HG2170	68331HG2170	LABEL,caution no.3	1	
26			68333HG2170	68333HG2170	LABEL,caution no.4	1	

FIG 28

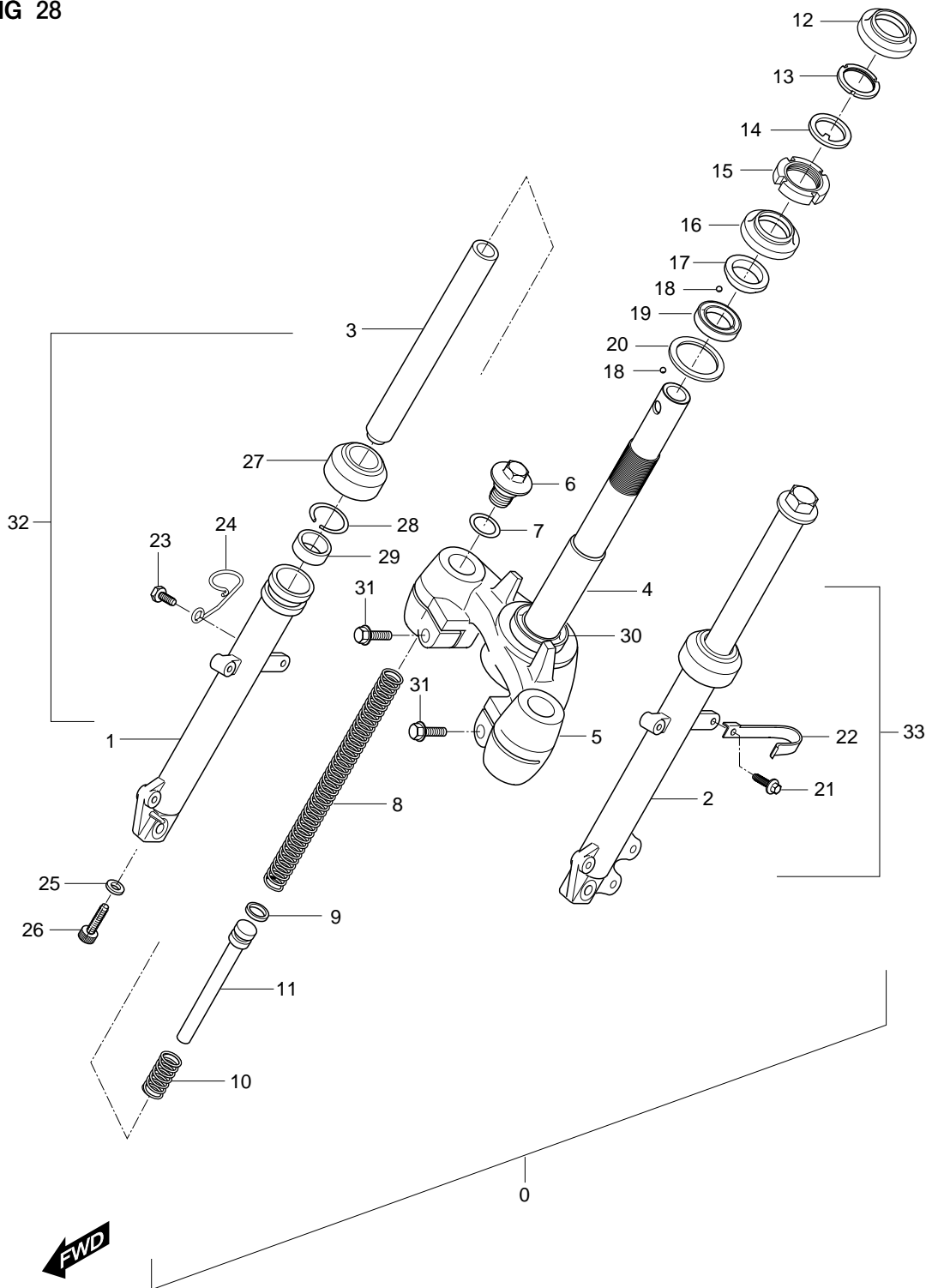


FIG 28. FRONT FORK

REF. PART NO.	LAT01	KAS01	LUS01	LUS01-1	PART NAME	Q`TY	REMARKS
0	51100HG2600HPA	51100HG2600HPA	51100HG2600HPA	51100HG2600HPA	FORK ASS'Y, front	1	
1	51130HG2600	51130HG2600	51130HG2600	51130HG2600	BOTTOM CASE COMP,R	1	
2	51140HG2600	51140HG2600	51140HG2600	51140HG2600	BOTTOM CASE COMP,L	1	
3	51111HG2600	51111HG2600	51111HG2600	51111HG2600	FORK, pipe	2	
4	51412HG2600	51412HG2600	51412HG2600	51412HG2600	STEM, front fork steering	1	NOT SALE
5	51400HG2601	51400HG2601	51400HG2601	51400HG2601	UNDER BRACKET ASS'Y	1	
6	51351H11A00	51351H11A00	51351H11A00	51351H11A00	FORK BOLT	2	
7	51181H11A00	51181H11A00	51181H11A00	51181H11A00	O-RING, fork bolt	2	
8	51171HG2600	51171HG2600	51171HG2600	51171HG2600	SPRING	2	
9	51196H11A00	51196H11A00	51196H11A00	51196H11A00	PISTON RING	2	
10	51177H11A00	51177H11A00	51177H11A00	51177H11A00	REBOUND SPRING	2	
11	51146HG2600	51146HG2600	51146HG2600	51146HG2600	PIPE SEAT	2	
12	36618-02100	36618-02100	36618-02100	36618-02100	COVER, steering stem lock	1	
13	51632-02400	51632-02400	51632-02400	51632-02400	NUT, steering stem lock	1	
14	09166-26001	09166-26001	09166-26001	09166-26001	WASHER, steering stem lock	1	
15	51631-28000	51631-28000	51631-28000	51631-28000	NUT, steering stem	1	
16	51643-25001	51643-25001	51643-25001	51643-25001	DUST SEAL, steering upper	1	
17	51621-28000	51621-28000	51621-28000	51621-28000	RACE, steering outer upper	1	
18	06111-06004	06111-06004	06111-06004	06111-06004	BALL, steering stee	47	
19	51611-20002	51611-20002	51611-20002	51611-20002	RACE, steering inner upper	1	
20	51612-04000	51612-04000	51612-04000	51612-04000	RACE, steering inner lower	1	
21	01174-06168	01174-06168	01174-06168	01174-06168	BOLT, brake hose clamp	1	
22	59268HG2600	59268HG2600	59268HG2600	59268HG2600	CLAMP, brake hose	1	
23	01174-06168	01174-06168	01174-06168	01174-06168	BOLT, speedometer cable guide	1	
24	51418H11A00	51418H11A00	51418H11A00	51418H11A00	GUIDE, speedometer cable	1	
25	51148H11A00	51148H11A00	51148H11A00	51148H11A00	PACKING	2	

FIG 28

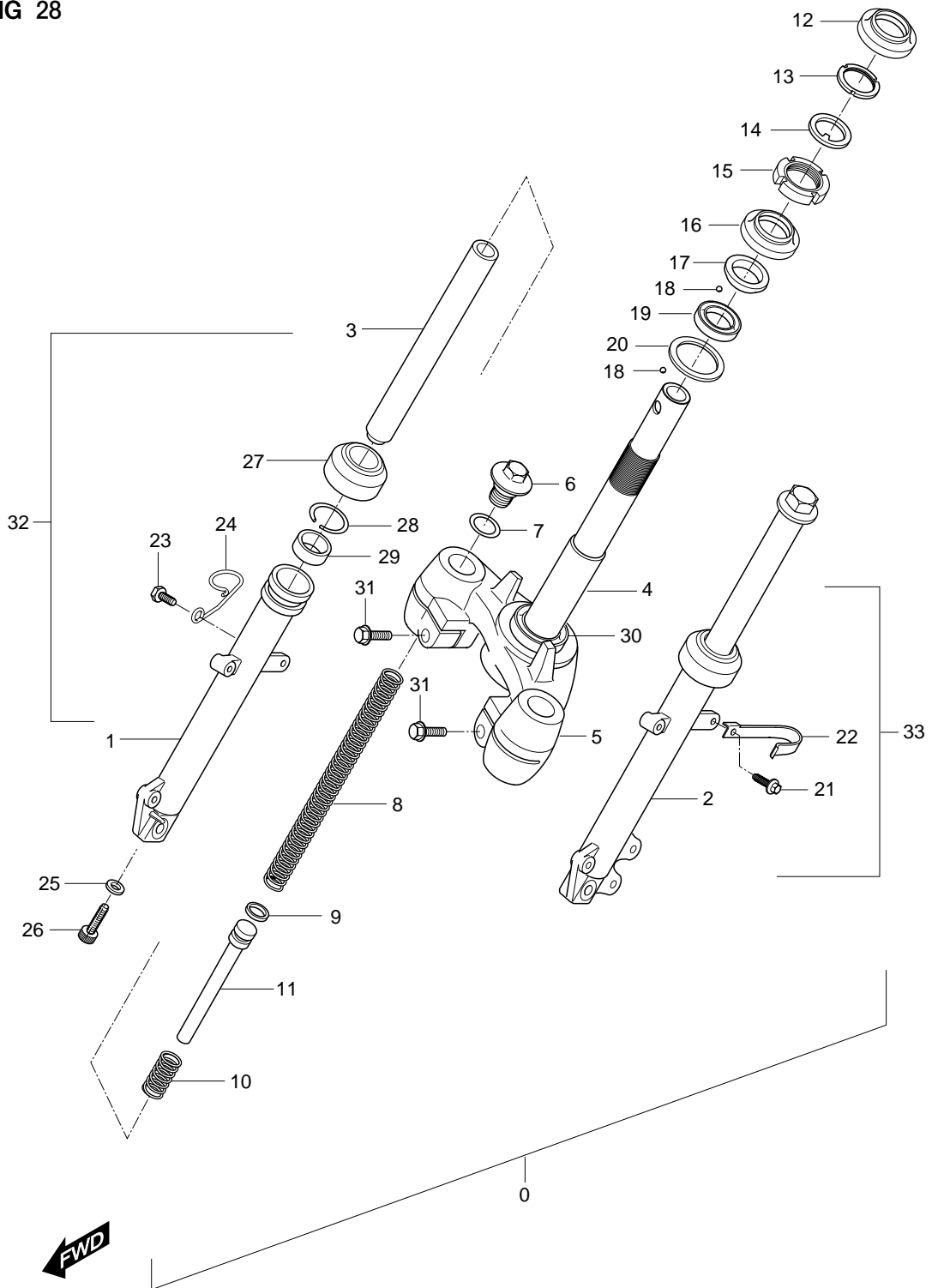


FIG 28. FRONT FORK

REF. NO.	PART NUMBER.		PART NAME		Q`TY	REMARKS
	LAT01	KAS01	LUS01	LUS01-1		
26	51147H11A00	51147H11A00	51147H11A00	51147H11A00	2	SOCKET,bolt
27	51173H11A00	51173H11A00	51173H11A00	51173H11A00	2	DUST BOOT
28	51156H11A00	51156H11A00	51156H11A00	51156H11A00	2	STOPPER RING,oil seal
29	51153H11A00	51153H11A00	51153H11A00	51153H11A00	2	OIL SEAL,front fork
30	51622-04000	51622-04000	51622-04000	51622-04000	1	RACE, steering outer lower
31	07110-08258	07110-08258	07110-08258	07110-08258	2	BOLT, fork clip
31-1	08321-31086	08321-31086	08321-31086	08321-31086	2	LOCK WASHER, fork
32	51210HG2600	51210HG2600	51210HG2600	51210HG2600	1	FT FORK COMP R
33	51220HG2600	51220HG2600	51220HG2600	51220HG2600	1	FT FORK COMP L

FIG 29

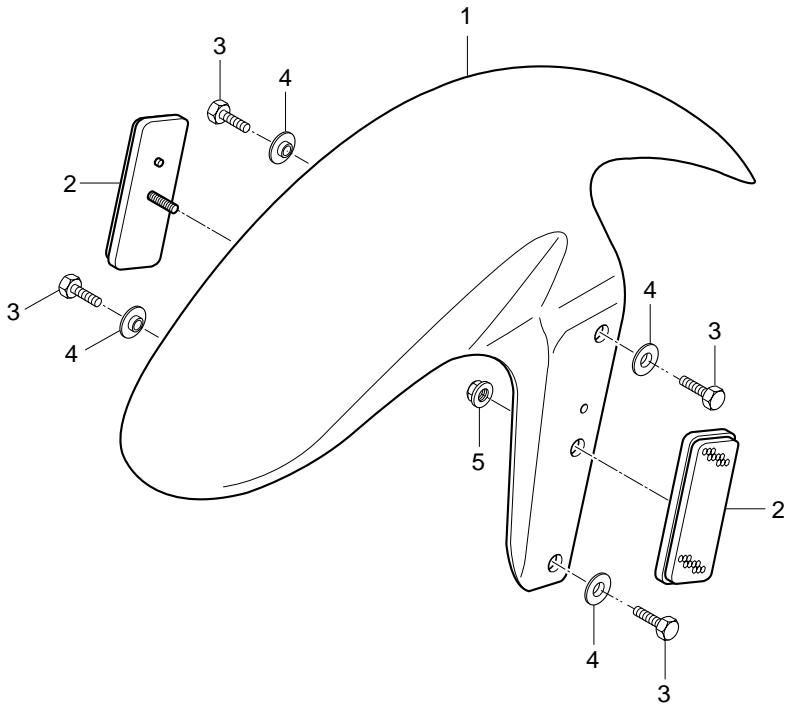


FIG 29. FRONT FENDER

REF. PART		NUMBER.			PART NAME	Q`TY	REMARKS
NO.	LAT01	KAS01	LUS01	LUS01-1			
1	53111HG2602	53111HG2602	53111HG2602	53111HG2602	FRONT, fender (COLOR)	1	
2	35950HG2601	35950HG2601	35950HG2601	35950HG2601	REFLEX REFLECTOR ASS'Y, side	2	
3	01104-06205	01104-06205	01104-06205	01104-06205	BOLT, front fender	4	
4	09169-06034	09169-06034	09169-06034	09169-06034	WASHER, front fender	4	
5	08316-26055	08316-26055	08316-26055	08316-26055	NUT, rear reflex reflector	2	

FIG 30

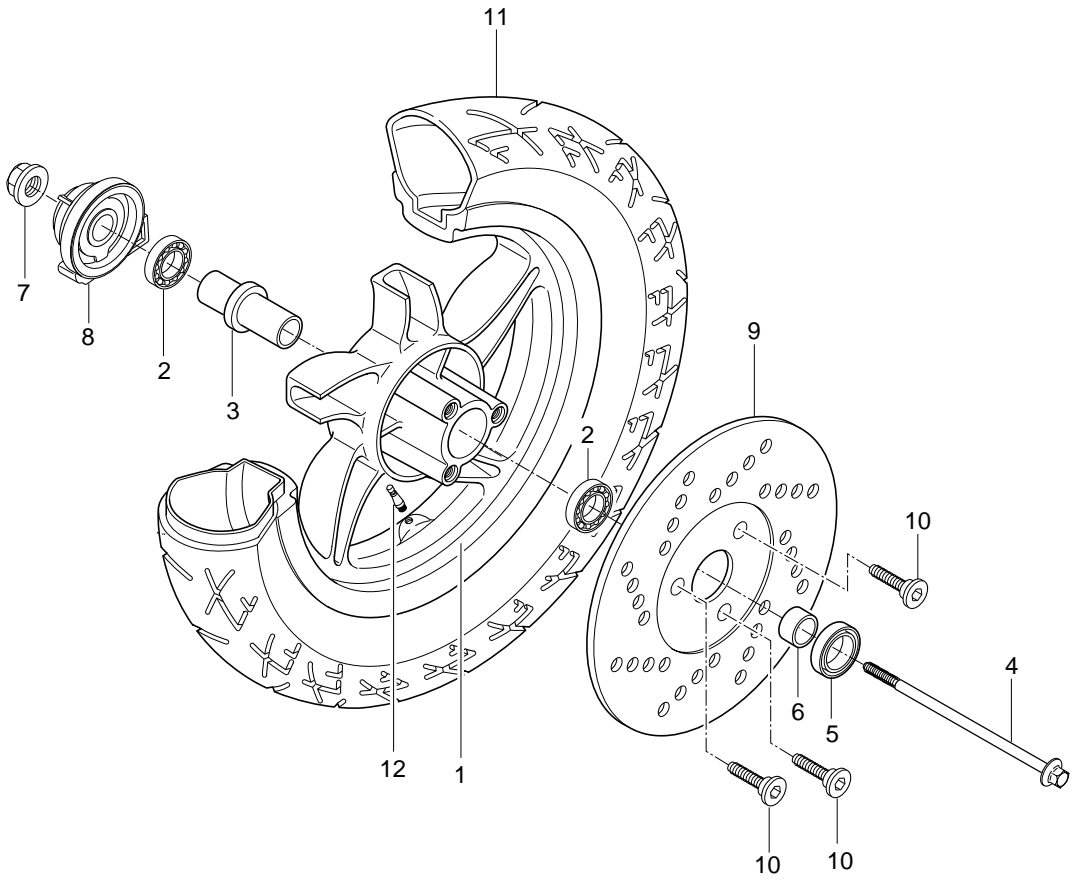


FIG 30. FRONT WHEEL

REF. PART	NUMBER.				PART NAME	Q`TY	REMARKS
NO.	LAT01	KAS01	LUS01	LUS01-1			
1	54141HG2601	54141HG2601	54141HG2601	54141HG2601	WHEEL COMP, front 3.00*12	1	
2	08123-62007	08123-62007	08123-62007	08123-62007	BEARING, front wheel (6200)	2	
3	54730HG2600	54730HG2600	54730HG2600	54730HG2600	SPACER COMP, front wheel	1	
4	54711HE7100	54711HE7100	54711HE7100	54711HE7100	AXLE, front	1	
5	09285-16002	09285-16002	09285-16002	09285-16002	DUST SEAL, front hub bearing L	1	
6	54741-29C00	54741-29C00	54741-29C00	54741-29C00	SPACER, front axle L	1	
7	08319-31108	08319-31108	08319-31108	08319-31108	NUT, front axle	1	
8	54600HG2600	54600HG2600	54600HG2600	54600HG2600	BOX ASS'Y, speedometer gear	1	
9	59211-29C10	59211-29C10	59211-29C10	59211-29C10	DISC, front brake	1	
10	59421-03A01	59421-03A01	59421-03A01	59421-03A01	BOLT, front brake disc	3	
11	55109HG2601	55109HG2601	55109HG2601	55109HG2601	TIRE SET, front 110/70-12 47J	1	
12	55220-29C20	55220-29C20	55220-29C20	55220-29C20	VALVE ASS'Y, wheel rim	1	

FIG 31

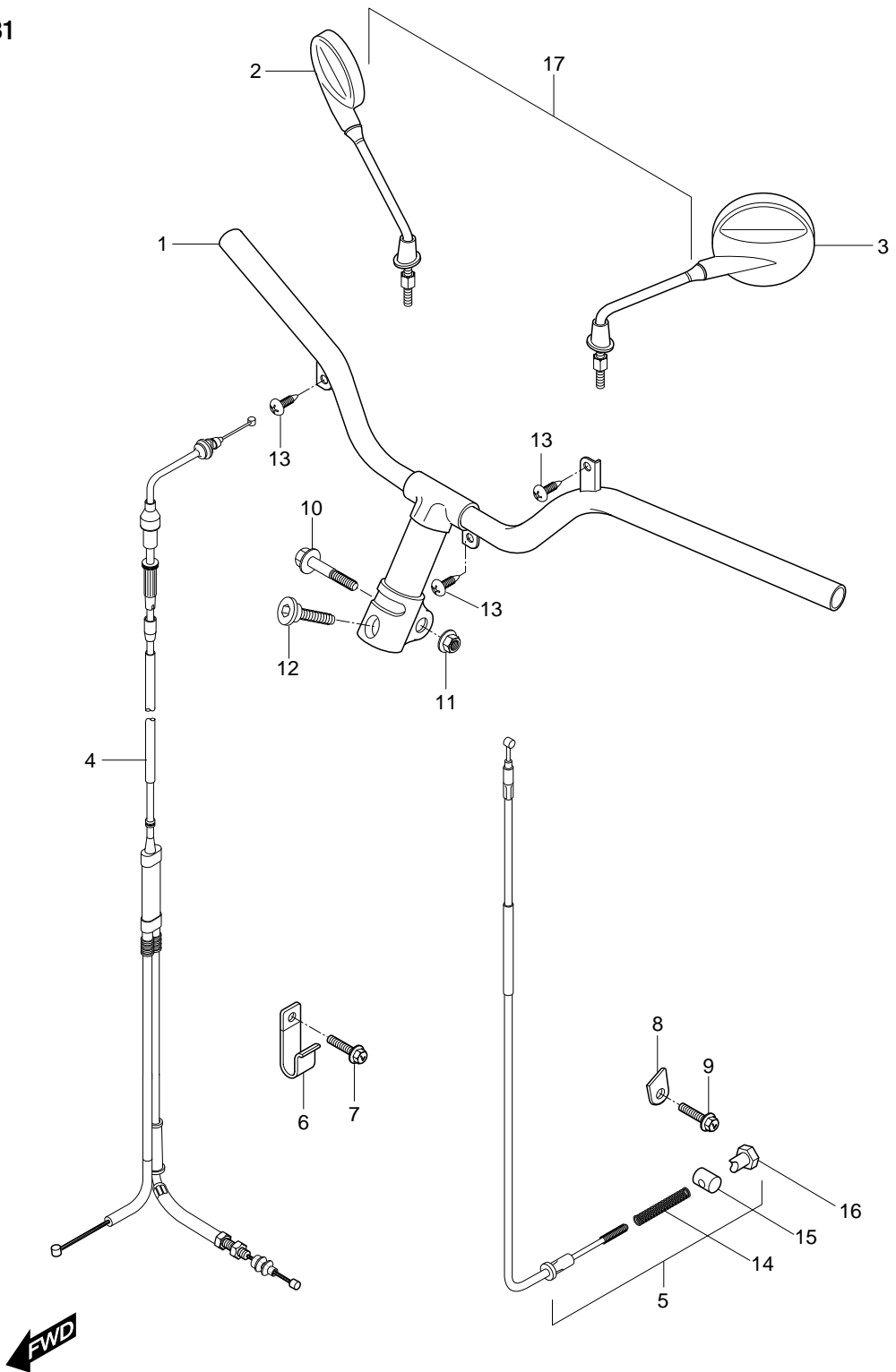


FIG 31. HANDLE BAR

REF. PART		NUMBER.			PART NAME	Q`TY	REMARKS
NO.	LAT01	KAS01	LUS01	LUS01-1			
1	56100HG2602	56100HG2602	56100HG2602	56100HG2602	BAR COMP, handel	1	
2	56500HG2660	56500HG2660	56500HG2660	56500HG2660	MIRROR ASS'Y, rear view R	1	
3	56600HG2660	56600HG2660	56600HG2660	56600HG2660	MIRROR ASS'Y, rear view L	1	
4	58300HG2604	58300HG2604	58300HG2604	58300HG2604	CABLE ASS'Y, throttle	1	
5	58510HG2601	58510HG2601	58510HG2601	58510HG2601	CABLE COMP, rear brake	1	
6	09403-09301	09403-09301	09403-09301	09403-09301	GUIDE, rear brake cable	1	
7	01134-06128	01134-06128	01134-06128	01134-06128	BOLT, cable guide	1	
8	58591H11A00	58591H11A00	58591H11A00	58591H11A00	PLATE, rear brake cable	1	
9	01134-06208	01134-06208	01134-06208	01134-06208	BOLT, rear brake cable plate	1	
10	09103-10055	09103-10055	09103-10055	09103-10055	BOLT, handlebar clamp	1	
11	08319-31108	08319-31108	08319-31108	08319-31108	NUT, handlebar clamp	1	
12	56123-29C00	56123-29C00	56123-29C00	56123-29C00	BOLT, handlebar	1	
13	03241-05165	03241-05165	03241-05165	03241-05165	SCREW, handlebar & handle cover RR	3	
14	09440H06013	09440H06013	09440H06013	09440H06013	SPRING	1	
15	09209H11005	09209H11005	09209H11005	09209H11005	LEVER PIN	1	
16	09150-01501	09150-01501	09150-01501	09150-01501	ADJUST NUT,rear brake	1	
17	56501HG2660	56501HG2660	56501HG2660	56501HG2660	MIRROR SET, rear view	1	

FIG 32

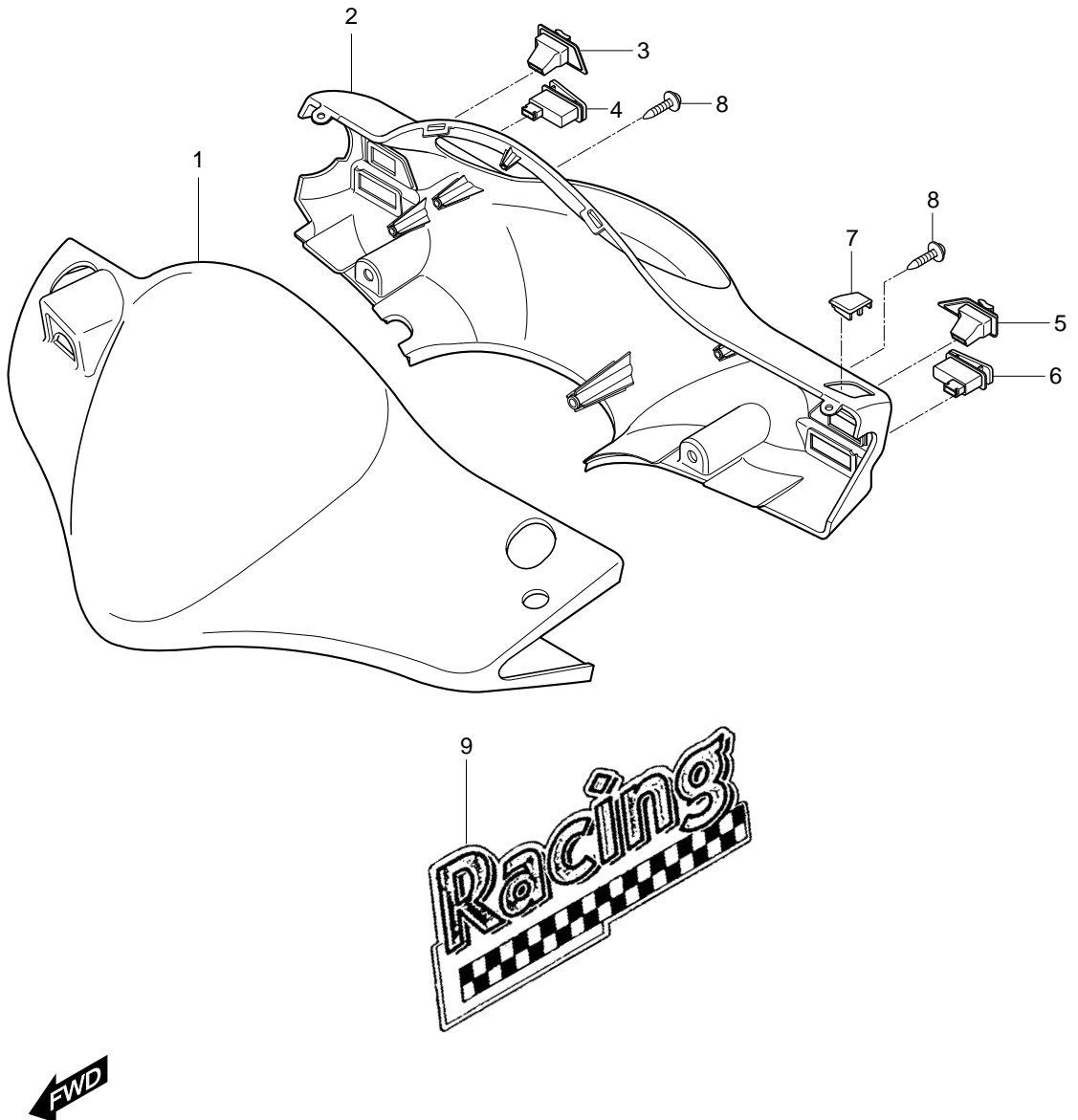


FIG 32. HANDLE COVER

REF. PART		NUMBER.			PART NAME	Q`TY	REMARKS
NO.	LAT01	KAS01	LUS01	LUS01-1			
1	56311HG2602	56311HG2602	56310HK2710	56310HK2710	COVER, handle front (COLOR)	1	
2	56321HG2600	56321HG2600	56321HG2600	56321HG2600	COVER, handle rear (COLOR)	1	
3	37240HE6150	37210HE6100	37210HE6150	37210HE6150	SWITCH ASS'Y, lighting	1	
4	37220HE6100	37220HE6100	37220HE6100	37220HE6100	SWITCH ASS'Y, start	1	
5	37410HF4530	37410HF4530	37410HF4530	37410HF4530	SWITCH ASS'Y, turn signal	1	
6	37420HE6100	37420HE6100	37420HE6100	37420HE6100	SWITCH ASS'Y, horn	1	
6-1			37430HE6100	37430HE6100	SWITCH ASS'Y,dimmer	1	
7	56331HF1620	56331HF1620	56331HF1620	56331HF1620	CAP, handle cover rear	1	
8	03241-05165	03241-05165	03241-05165	03241-05165	SCREW, handle cover rear & front	2	
9			68110HK2710A04	68110HK2710A04	TAPE,h/d ft	1	

FIG 33

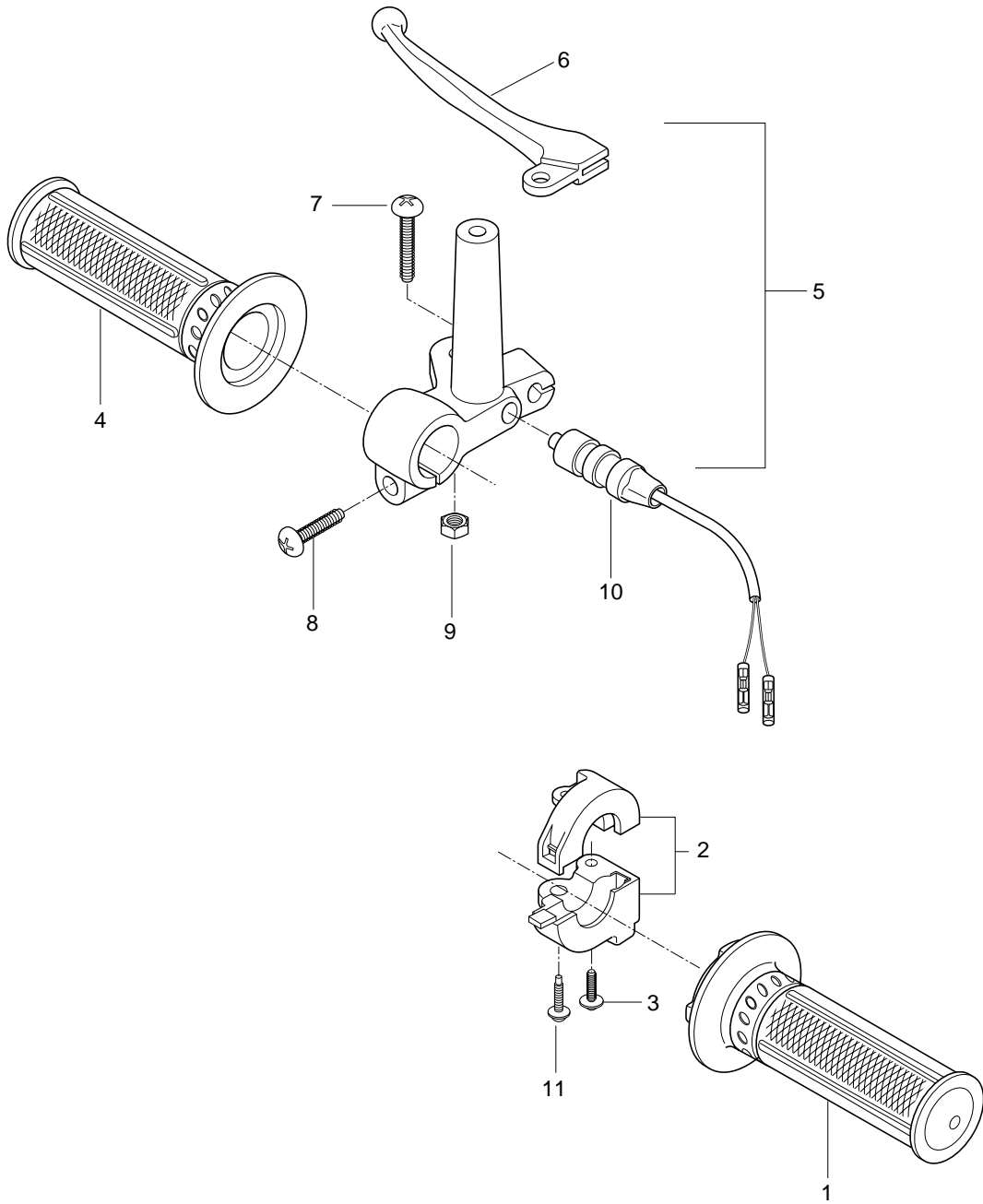


FIG 33. HANDLE SWITCH

REF. PART		NUMBER.			PART NAME	Q`TY	REMARKS
NO.	LAT01	KAS01	LUS01	LUS01-1			
1	57110HE7101	57110HE7101	57110HE7101	57110HE7101	GRIP COMP, throttle	1	
2	57100-29C00	57100-29C00	57100-29C00	57100-29C00	CASE ASS'Y, throttle case	1	
3	02112-05205	02112-05205	02112-05205	02112-05205	SCREW, throttle case	1	
4	57211HE7101	57211HE7101	57211HE7101	57211HE7101	GRIP, L	1	
5	57500HG2602	57500HG2602	57500HG2602	57500HG2602	BRAKE LEVER REAR & SWITCH	1	
6	57421HG2601	57421HG2601	57421HG2601	57421HG2601	LEVER, rear break	1	
7	02112-05255	02112-05255	02112-05255	02112-05255	SCREW (M5×25)	1	
8	02112-05205	02112-05205	02112-05205	02112-05205	SCREW (M6×20)	1	
9	08319-21055	08319-21055	08319-21055	08319-21055	NUT (M5)	1	
10	57460H11200	57460H11200	57460H11200	57460H11200	SWITCH, rear break stop	1	
11	09136-05040	09136-05040	09136-05040	09136-05040	SCREW, throttle case(M5×16)	1	

FIG 34

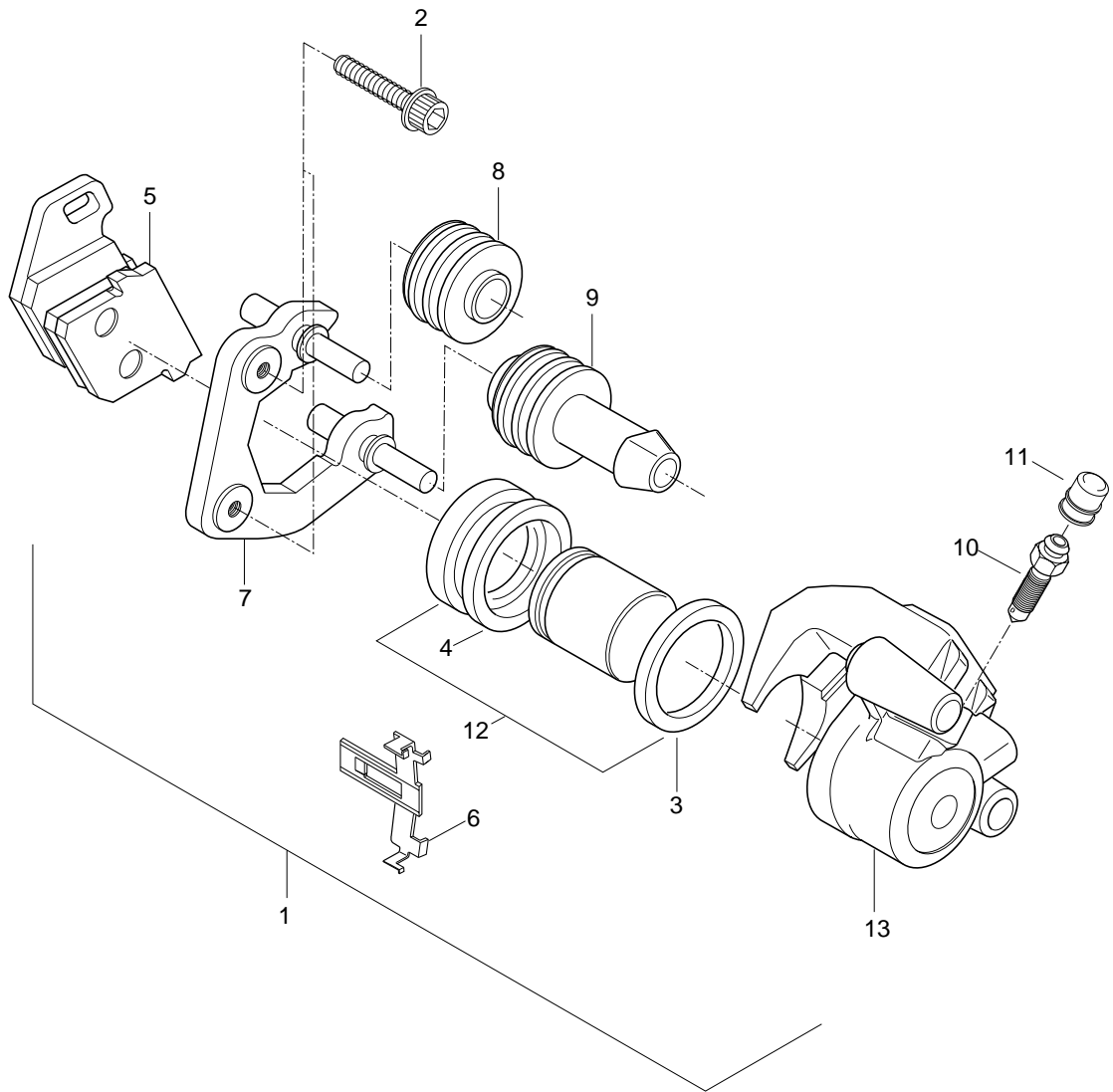


FIG 34. CALIPER

REF. NO.	PART NUMBER.		PART NAME		Q`TY	REMARKS
	LAT01	KAS01	LUS01	LUS01-1		
1	59300-03A3090U	59300-03A3090U	59300-03A3090U	59300-03A3090U	1	
2	07120-08208	07120-08208	07120-08208	07120-08208	2	NOT SALE
3	59170-03A00	59170-03A00	59170-03A00	59170-03A00	1	NOT SALE
4	59308-03A00	59308-03A00	59308-03A00	59308-03A00	1	NOT SALE
5	59300-03810	59300-03810	59300-03810	59300-03810	1	
6	59315-36500	59315-36500	59315-36500	59315-36500	1	
7	59313-36A00	59313-36A00	59313-36A00	59313-36A00	1	NOT SALE
8	59312-36500	59312-36500	59312-36500	59312-36500	1	NOT SALE
9	59313-36500	59313-36500	59313-36500	59313-36500	1	NOT SALE
10	59121-18410	59121-18410	59121-18410	59121-18410	1	
11	59122H18420	59122H18420	59122H18420	59122H18420	1	
12	59300-03810	59300-03810	59300-03810	59300-03810	1	NOT SALE
13	59360-03A30	59360-03A30	59360-03A30	59360-03A30	1	NOT SALE

FIG 35. MASTER CYLINDER

REF. PART	NUMBER.				PART NAME	Q`TY	REMARKS
NO.	LAT01	KAS01	LUS01	LUS01-1			
1	59600HG2601	59600HG2601	59600HG2601	59600HG2601	CYLINDER SET, front master	1	
2	57421HG2601	57421HG2601	57421HG2601	57421HG2601	LEVER, brake	1	
3	57431-13010	57431-13010	57431-13010	57431-13010	SCREW, brake lever pivot	1	
4	08319-21065	08319-21065	08319-21065	08319-21065	NUT, brake lever pivot	1	
5	57460-17C00	57460-17C00	57460-17C00	57460-17C00	SWITCH ASS'Y, stop	1	
6	02112-74108	02112-74108	02112-74108	02112-74108	SCREW, stop switch	1	
7	09161-10005	09161-10005	09161-10005	09161-10005	WASHER, brake fluid	4	
8	09360-10039	09360-10039	09360-10039	09360-10039	BOLT, brake fluid	2	
9	59480HG2602	59480HG2602	59480HG2602	59480HG2602	HOSE COMP, front brake	1	
10	59691-35C00	59691-35C00	59691-35C00	59691-35C00	SCREW	2	
11	08322-21064	08322-21064	08322-21064	08322-21064	WASHER	1	
12	01107-35C00	01107-35C00	01107-35C00	01107-35C00	BOLT	1	
13	59671-35C00	59671-35C00	59671-35C00	59671-35C00	HOLDER	1	

FIG 36. REAR FENDER

REF. PART NO.	PART NUMBER.				PART NAME	Q`TY	REMARKS
LAT01	KAS01	LUS01	LUS01-1				
1	47161HG260626B	47161HG260626B	47161HG260626B	47161HG260626B	COVER, side lower	1	
2	63111HG260526B	63111HG260526B	63111HG260526B	63111HG260526B	REAR FENDER, rear upper	1	
3	63112HG260126B	63112HG260126B	63112HG260126B	63112HG260126B	REAR FENDER, rear lower	1	
4	01517-06165	01517-06165	01517-06165	01517-06165	BOLT, rr fen rr up & side cov lo	4	
5	09169H06077	09169H06077	09169H06077	09169H06077	WASHER, rr fen rr up & side cov lo	2	
6	09136-06017	09136-06017	09136-06017	09136-06017	SCREW, rear fen rear upper & lo	3	
7	08316-16068	08316-16068	08316-16068	08316-16068	NUT, rear fender rear upper & lo	3	
8	35970-24D63	35970-24D63	35970-24D63	35970-24D63	REFLEX REFLECTOR ASS'Y, rear	1	
9	35971HF1600	35971HF1600			CUSHION, reflex reflector	1	
10	09160-08002	09160-08002			WASHER, license lamp	1	
11	08316-26055	08316-26055	08316-26055	08316-26055	NUT, rear reflex reflector	1	
12	03241-05255	03241-05255	03241-05255	03241-05255	SCREW, side cover lo & side cover	4	
13	09169-05009	09169-05009	09169-05009	09169-05009	WASHER, side cover lo & side cover	4	
14	09148-05039	09148-05039	09148-05039	09148-05039	NUT, side cover lower	1	
15	62100HG2602	62100HG2602	62100HG2602	62100HG2602	ABSORBER ASS'Y, rear shock	1	
16	09103-10019	09103-10019	09103-10019	09103-10019	BOLT, rear shock absorber	2	
17	09169-06034	09169-06034	09169-06034	09169-06034	WASHER, rr fender rr up& side cov lower	2	
18	02142-05305	02142-05305	02142-05305	02142-05305	SCREW, side cover lower & frame	2	
19	09169-05009	09169-05009	09169-05009	09169-05009	WASHER, side cover lower & frame	2	
20			35977HG2620	35977HG2620	TAPE,side rr reflex reflector	2	
21			35910HF4520	35910HF4520	LAMP,license plt lamp	1	
22			01107-05605	01107-05605	BOLT, license plt lamp	2	
23			08316-26055	08316-26055	NUT, license plt lamp	2	
24			35927H44430	35927H44430	BKT, license plate	1	

FIG 37

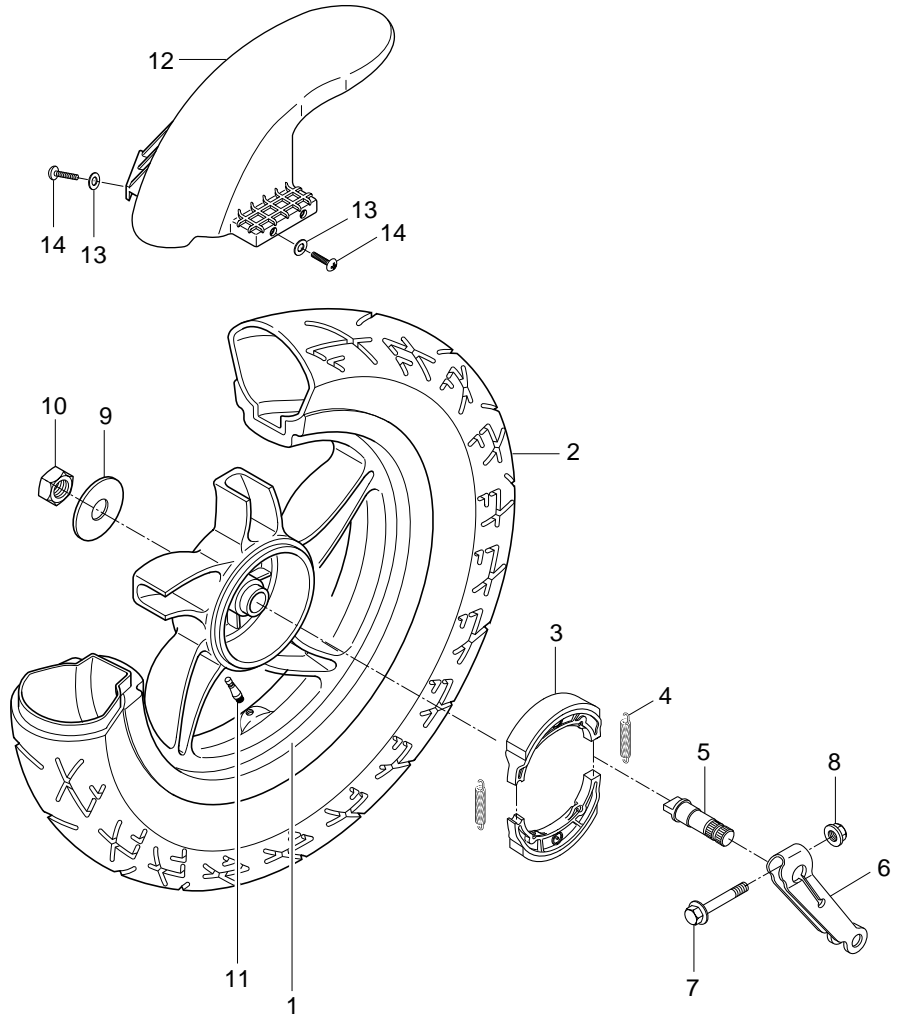


FIG 37. REAR WHEEL

REF. PART	NUMBER.				PART NAME	Q`TY	REMARKS
NO.	LAT01	KAS01	LUS01	LUS01-1			
1	64140HG2601	64140HG2601	64140HG2601	64140HG2601	WHEEL COMP, rear 3.00x12	1	
2	65109HG2601	65109HG2601	65109HG2601	65109HG2601	TIRE SET, rear 120/70-12 51J	1	
3	64400HG2600	64400HG2600	64400HG2600	64400HG2600	SHOE COMP, brake	2	
4	09443H08025	09443H08025	09443H08025	09443H08025	SPRING, brake shoe	2	
5	64441H11201	64441H11201	64441H11201	64441H11201	CAM, rear brake	1	
6	64451-02111	64451-02111	64451-02111	64451-02111	LEVER, rear brake cam	1	
7	12812-30A00	12812-30A00	12812-30A00	12812-30A00	BOLT, rear cam lever	1	
8	08316-16068	08316-16068	08316-16068	08316-16068	NUT, rear brake cam lever	1	
9	09160-16025	09160-16025	09160-16025	09160-16025	WASHER, rear axle	1	
10	08319-21168	08319-21168	08319-21168	08319-21168	NUT, rear axle	1	
11	55220-29C20	55220-29C20	55220-29C20	55220-29C20	VALVE ASS'Y, wheel rim	1	
12	63115HG260626B	63115HG260626B	63115HG260626B	63115HG260626B	REAR FENDER, front	1	
13	09169-06034	09169-06034	09169-06034	09169-06034	WASHER, rear fender front	4	
14	02142-06165	02142-06165	02142-06165	02142-06165	SCREW, rear fender front	4	
15	09800HK3100	09800HK3100	09800HK3100	09800HK3100	TOOL SET	1	