



**HYOSUNG MOTORS & MACHINERY INC.**

## **REFERENCE**

1.The detailed specifications of each model are referred by the persons who are in charge of overseas marketing team, Hyosung.

2.Special demand

When you order any colored parts including Fuel tank, please add color code to the end of parts number and it will be helpful to register your parts order.

※ Color code

0DB : DEEP BLUE

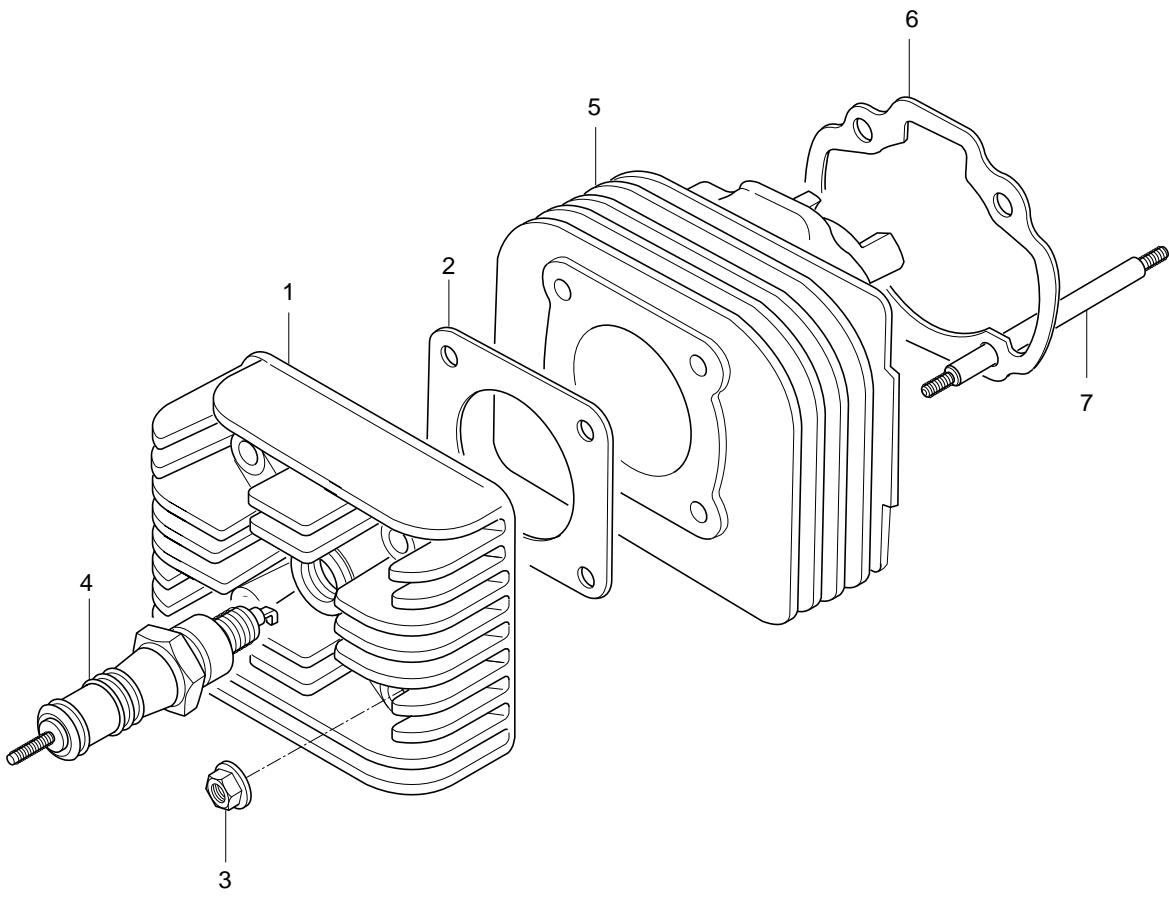
0MY : MABLE SCIENCE YELLOW

0PR : PEARL CANDY RED

0SS : STARDUST SILVER METALLIC

**HYOSUNG MOTORS & MACHINERY INC.**

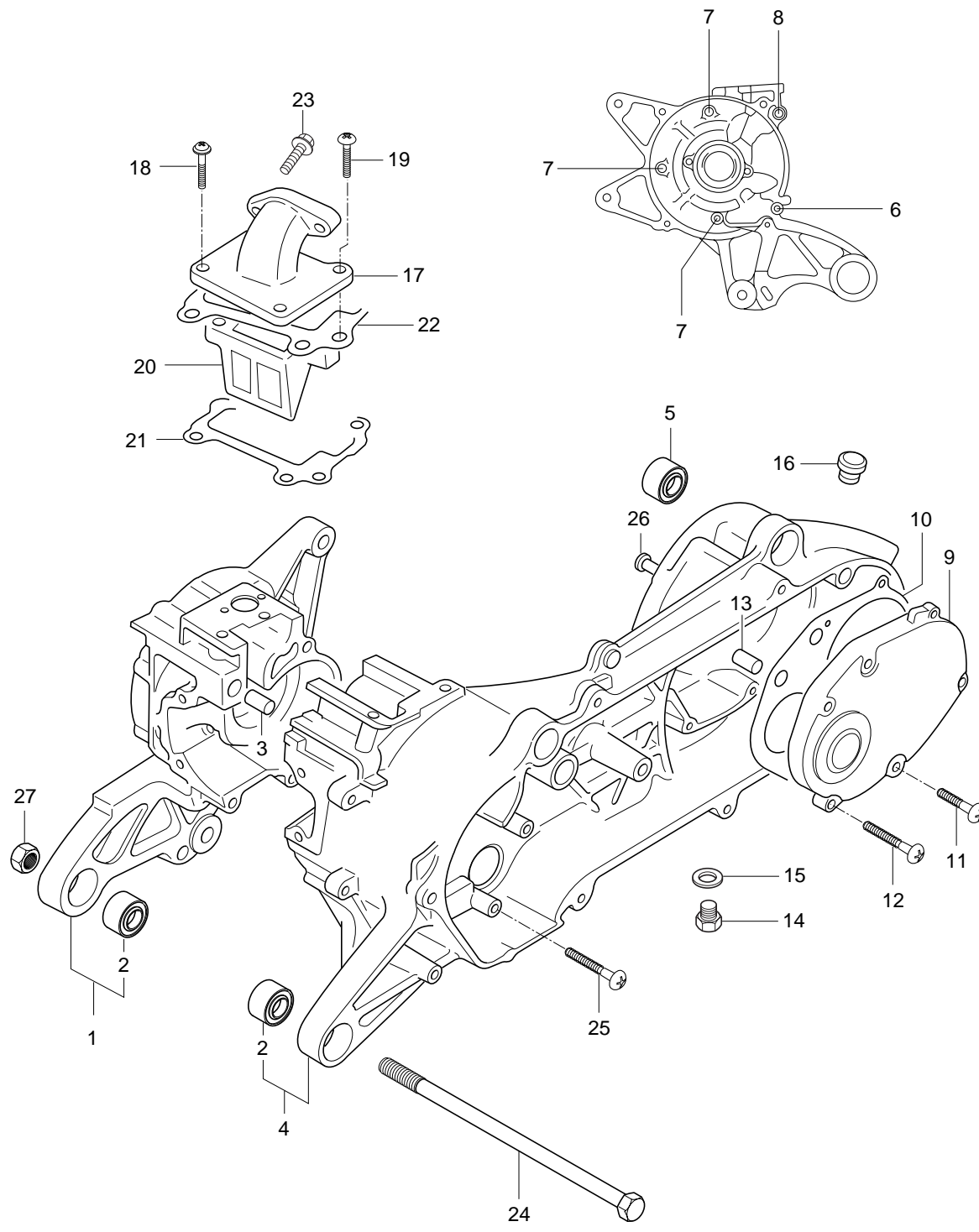
FIG.1



# FIG 1. CYLINDER

REF. PARTS NO.		DESCRIPTION	Q`TY	REMARKS	REC.Q`TY (PCS)
NO.	RUSO1				
1	11111HF1651	11111HF1651	CYLINDER HEAD	1	5
2	11141-02110	11141-02110	GASKET, cylinder head	1	5
3	08316-16068	08316-16068	NUT, cylinder head (M16)	4	20
4	09482-01060	09482-01060	SPARK PLUG (BP6HS)	1	5
5	11211HR1150PCY	11211HR1150PCY	CYLINDER	1	5
6	11241HF1602	11241HF1602	GASKET, cylinder	1	5
7	01421-06858	01421-06858	STUD BOLT, (M6X85)	4	20

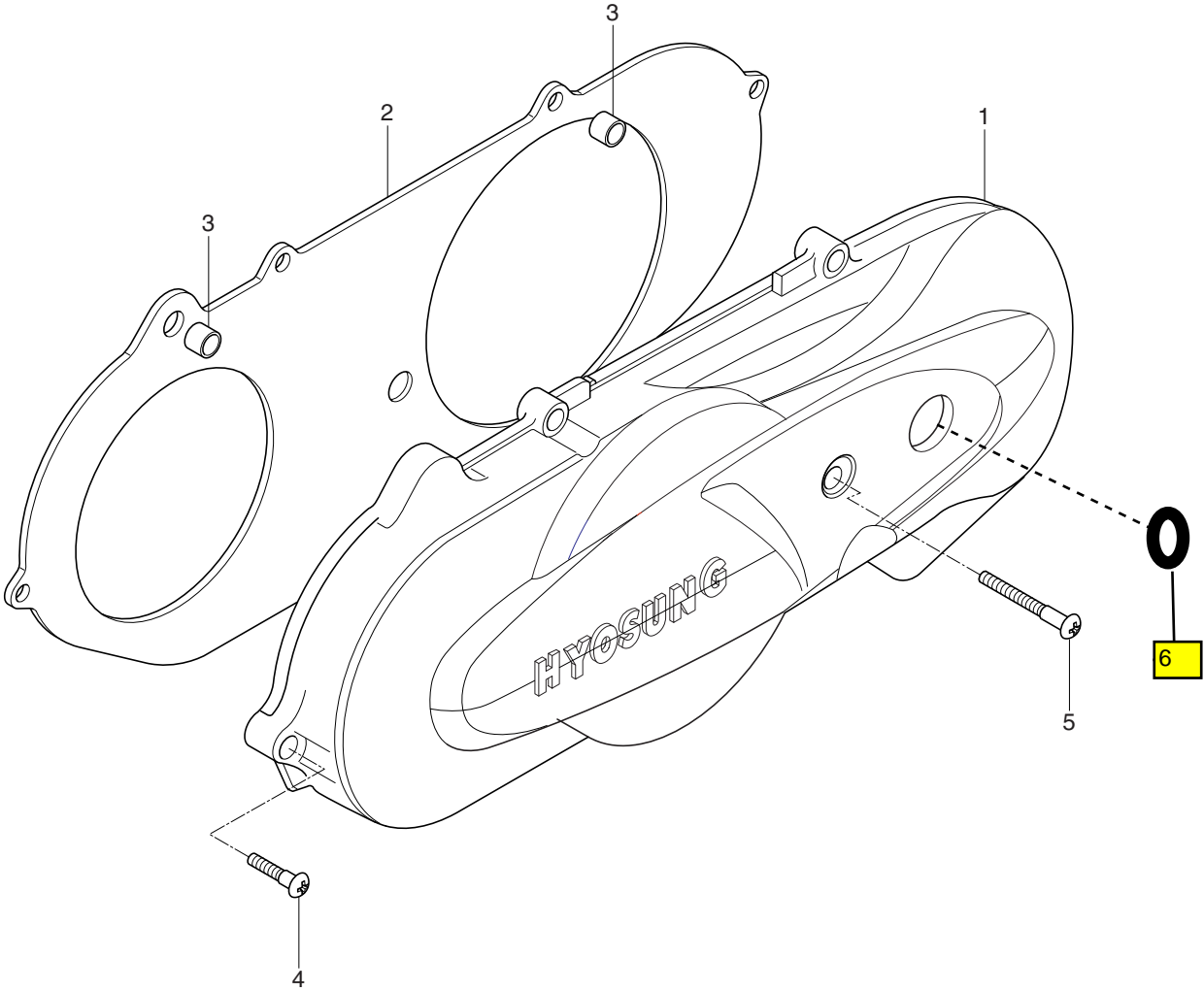
FIG.2



## FIG 2. CRANK CASE

REF. PARTS NO.		DESCRIPTION	Q'TY	REMARKS	REC.Q'TY (PCS)
NO.	RUSO1				
1	11131M11207HPA	11131M11207HPA	1	CRANK CASE, RH	5
2	09319-10027	09319-10027	2	BUSH, engine mounting	10
3	04213-09129	04213-09129	2	KNOCK PIN, crankcase	10
4	11320HG1700HPA	11320HG1700HPA	1	CRANKCASE, LH	5
5	09319-10032	09319-10032	1	BUSH	5
6	02112-06508	02112-06508	1	SCREW(M6×50)	5
7-1	02112-06458	02112-06458	1	SCREW(M6×45)	5
7-2	02112-06408	02112-06408	2	SCREW(M6×40)	10
8	02112-06558	02112-06558	1	SCREW(M6×55)	5
9	11431HD2100PCR	11431HD2100PCR	1	COVER, gear box	5
10	11484H11203	11484H11203	1	GASKET,gear box cover	5
11	01547-06208	01547-06208	4	BOLT, gear box cover	20
12			2	BOLT, gear box cover	10
13	04213-09129	04213-09129	2	KNOCK PIN	10
14	09247-100A8	09247-100A8	1	PLUG, oil drain	5
15	09168H10003	09168H10003	1	GASKET, oil drain bolt	5
16	09250H11005	09250H11005	1	PLUG, oil filler	5
17	13110HB1102	13110HB1102	1	PIPE COMP, intake	5
18	02112-96256	02112-96256	4	SCREW, intake pipe(M6×25)	20
19			1	NUT, engine mounting(M11)	5
20	13150HF1600	13150HF1600	1	VALVE ASS'Y, reed	5
21	13125HF1601	13125HF1601	1	GASKET, reed valve	5
22	13126HF1601	13126HF1601	2	GASKET, intake pipe	10
23	09137H06021	09137H06021	2	SCREW, carburetor	10
24	09103H10122	09103H10122	1	BOLT,engine mounting	5
25	02112-06608	02112-06608	2	SCREW(M6×60)	10
26	64231-07903	64231-07903	1	PIN, rear brake anchor	5

FIG.3



## FIG 3. CLUTCH COVER

REF. PARTS NO.		DESCRIPTION	Q`TY	REMARKS	REC.Q`TY (PCS)
NO.	RUSO1 RCA01				
1	11341HB1102999	11341HB1102999	COVER, clutch	1	5
2	11452H11203	11452H11203	GASKET, clutch cover	1	5
3	04213-11169	04213-11169	KNOCK PIN	2	10
4	02112-06255	02112-06255	SCREW(M6×25)	6	30
5	02112-06655	02112-06655	SCREW(M6×55)	1	5
6	09285-14001	09285-14001	OIL SEAL, kick shaft	1	

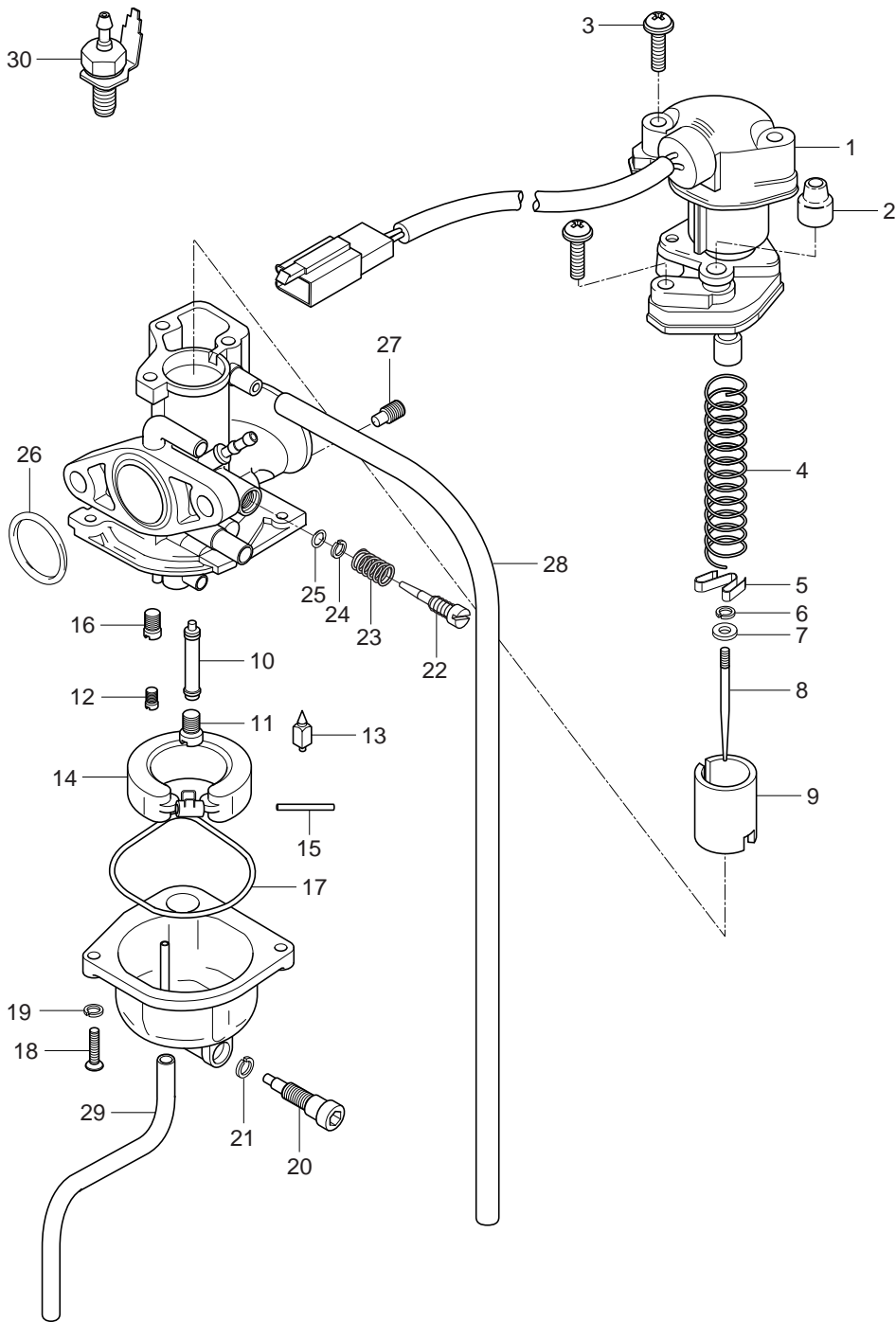




## FIG 4. CRANK SHAFT

REF. PARTS NO.		DESCRIPTION	Q'TY	REMARKS	REC.Q'TY (PCS)
NO.	RUSO1 RCA01				
1	12110H11214PSA	12110H11214PSA	1	PISTON COMP	5
2	12141-35010	12141-35010	1	RING, piston 1st	5
3	12142-29C10	12142-29C10	1	RING, piston 2nd	5
4	12149-29C10	12149-29C10	1	RING, piston expander	5
5	12151-46501	12151-46501	1	PIN, piston	5
6	09381-10006	09381-10006	2	CIRCLIP	10
7	12200H11200HPA	12200H11200HPA	1	CRANK SHAFT ASS'Y	5
8	12161-37B02	12161-37B02	1	ROD, connecting	5
9	12211H11201	12211H11201	1	PIN, crank	5
10	12221H11201CSA	12221H11201CSA	1	CRANKSHAFT, RH	5
11	12261H11A00CSA	12261H11A00CSA	1	CRANKSHAFT, LH	5
12	09263H16004	09263H16004	1	BEARING, crank pin	5
13	09160H16040	09160H16040	2	THRUST WASHER, connecting rod	10
14	09262H250A2	09262H250A2	1	BEARING	5
15	09283-25083	09283-25083	1	OIL SEAL (25×37×6)	5
16	09283-25083	09283-25083	1	OIL SEAL (25×37×6)	5
17	09284-20051	09284-20051	1	OIL SEAL,RH No.1	5
18	09262H250A2	09262H250A2	2	BEARING	10
19	12620H11A00	12620H11A00	1	GEAR, starter driven	5
20	09180H18005	09180H18005	1	SPACER	5
21	09263H10003	09263H10003	1	BEARING, piston pin	5

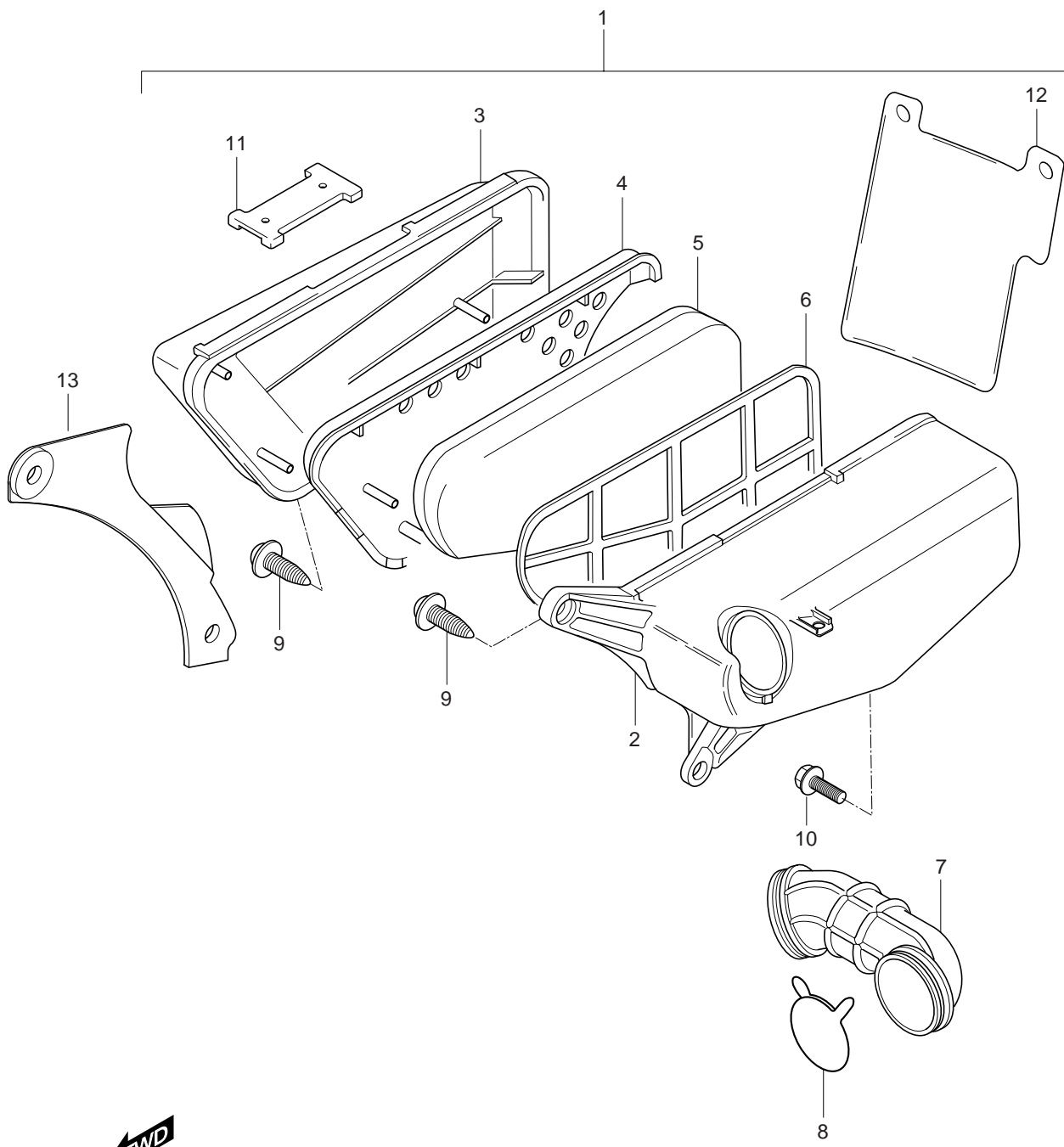
FIG.5



# FIG 5. CARBURETOR

REF. PARTS NO.	DESCRIPTION		Q'TY	REMARKS	REC.Q'TY
NO. RUSO1	RCA01				(PCS)
0	13091HR1150HAS	13091HR1150HAS	1	CARBURETOR ASS'Y	5
1	09493-95001	09493-95001	1	AIR jet	5
2	09494-00660	09494-00660	1	JET,needle	5
3	13278-02340	13278-02340	1	O-RING	5
4	09492-17014	09492-17014	1	PILOT,jet	5
5	09491-65008	09491-65008	1	JET,main	5
6	09493-45001	09493-45001	1	STARTER,jet	5
7	13278-09400	13278-09400	1	O-RING	5
8	13684-39C20	13684-39C20	1	HOSE	5
9	13250-47A00	13250-47A00	1	FLOAT	5
10	13254-47A00	13254-47A00	1	PIN,float	5
11	13370-47A00	13370-47A00	1	VALVE ASS'Y,needle	5
12	13258-47A00	13258-47A00	1	GASKET	5
13	13245-37B60	13245-37B60	1	FLOAT BODY ASS'Y	5
14	13601-04148	13601-04148	2	SCREW	10
15	13683-46110	13683-46110	1	HOSE	5
16	09491HB110075	09491HB110075	1	Main Jet	5
17	13295-29900	13295-29900	1	O-RING	5
18	13551-37B60	13551-37B60	1	PISTON,valve	5
19	13383-03A90	13383-03A90	1	JET,needle	5
20	13247HB1100	13247HB1100	1	SCREW, Drain	5
21	13533-98410	13533-98410	1	E-RING	5
22	13583-39C00	13583-39C00	1	CLIP	5
23	13573-37B60	13573-37B60	1	SPRING	5
24	13260-39C00	13260-39C00	1	CAP,top	5
25	13601-04128	13601-04128	2	SCREW	10
26	13430-39C21	13430-39C21	1	ELEMENT ASS'Y, thermo	5
27	13601-04228	13601-04228	2	SCREW	10
28	13267-29A00	13267-29A00	1	SCREW,adjuster	5
29	13268-35101	13268-35101	1	SPRING	5
30	13291-35010	13291-35010	1	WASHER	5

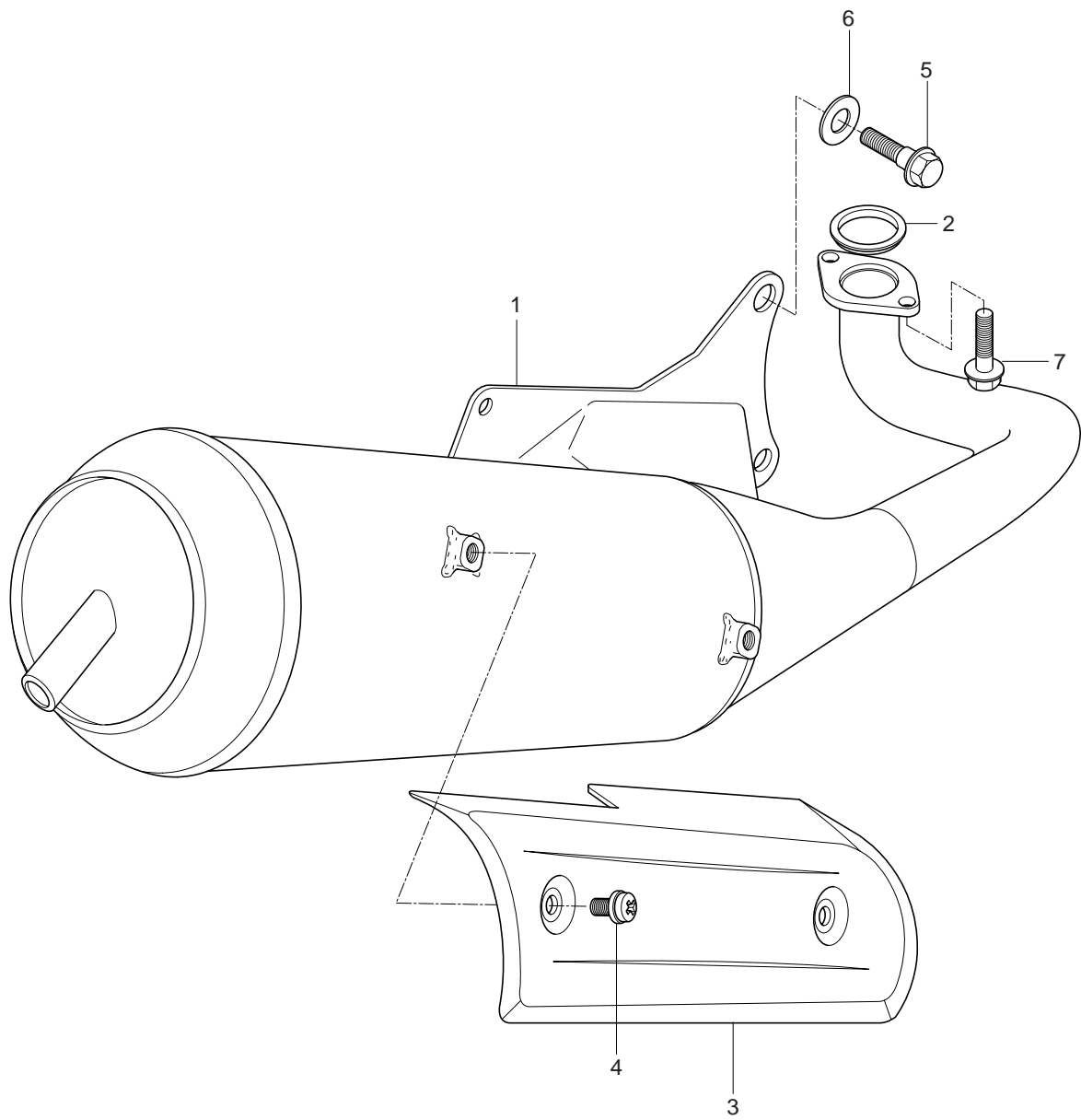
FIG.6



## FIG 6. AIR CLEANER

REF. PARTS NO.		DESCRIPTION	Q`TY	REMARKS	REC.Q`TY
NO.	RUSO1				RCA01
1	13700HB1101	13700HB1101	CLEANER ASS'Y, air	1	5
2	13720HB1101	13720HB1101	CASE , air cleaner	1	5
3	13740H11211	13740H11211	CAP COMP, air cleaner	1	5
4	13750HB1100	13750HB1100	PARTITION COMP,air cleaner	1	5
5	13780H11211	13780H11211	FILTER ASS'Y, air cleaner	1	5
6	13791H11211	13791H11211	HOLDER,air cleaner	1	5
7	13881HB1101	13881HB1101	TUBE,outlet	1	5
8	09402-34207	09402-34207	CRAMP,outlet tube	1	5
9	03051-06165	03051-06165	SCREW, tapping(M6×16)	2	10
10	02112-06258	02112-06258	SCREW (M6×25)	1	5
11	13821H11210	13821H11210	SLIDER, air cleaner	1	5
12	63115H11A00	63115H11A00	GUARD,mud	1	5
13	13735HB1100	13735HB1100	COVER, air cleaner	1	5

FIG.7

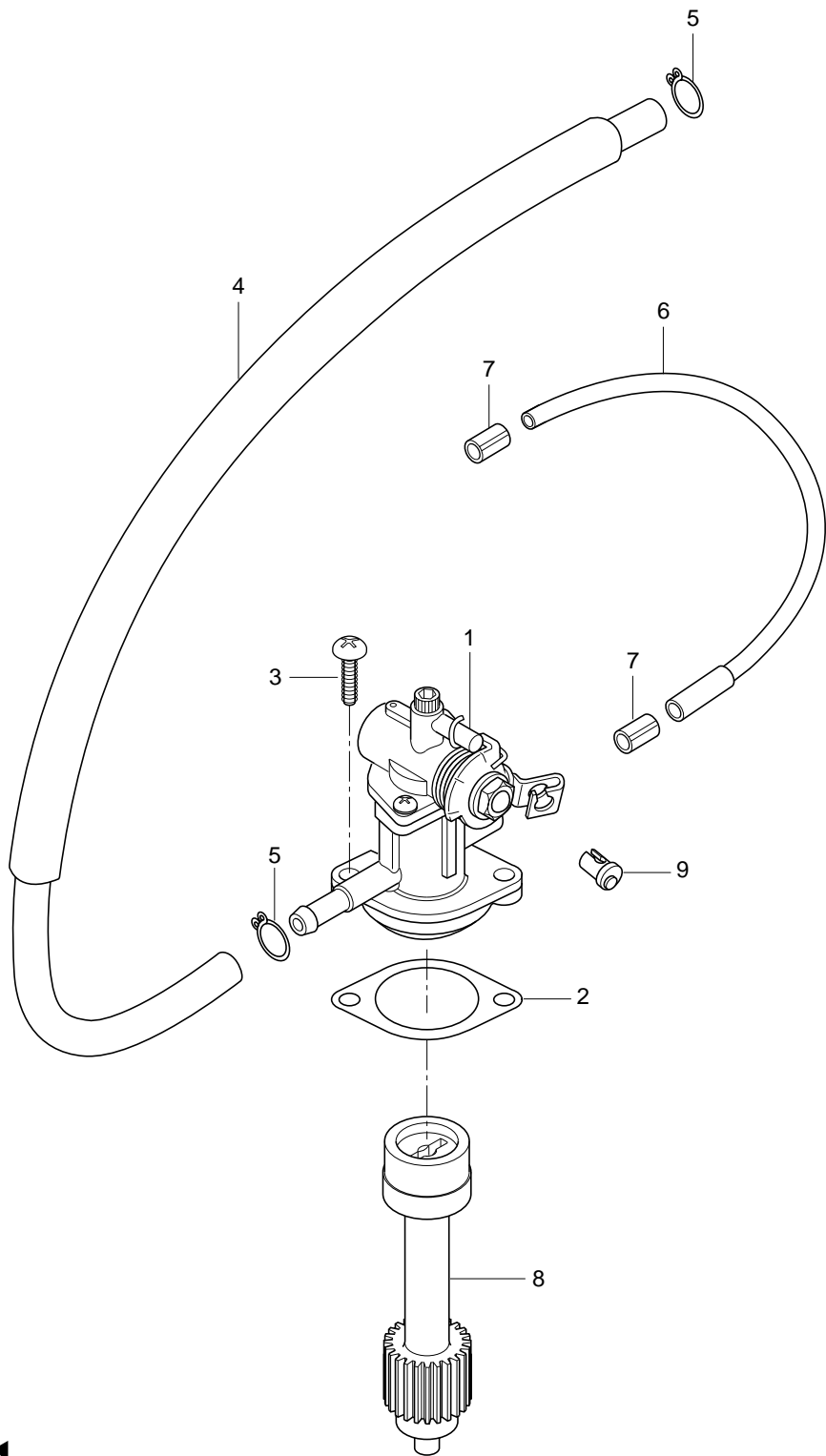


## FIG 7. MUFFLER

REF. PARTS NO.		DESCRIPTION	Q`TY	REMARKS	REC.Q`TY	
NO.	RUSO1				RCA01	(PCS)
1	14310HR1151PAM	14310HR3480PAM	BODY COMP, muffler	1	~KM4CA104X71600916	5
		14310HR1151PAM	BODY COMP, muffler	1	KM4CA104X71600917~	
2	14181HG2600	14181HG2600	GASKET, exhaust pipe	1		5
3	14780HR3301	14780HR3301	COVER, muffler	1		5
4	02112-36105	02112-36105	SCREW, muffler cover	2		10
5	09128-08001	09128-08001	BOLT, muffler (M8×20)	2		10
6	08321-31088	08321-31088	WASHER	2		10
7	01137-06258	01137-06258	STUD BOLT, exhaust pipe(M6×20)	2		10
8	18500HN3250	18500HN3250	VALVE ASS'Y, 2nd Air	1		
9	18631HR1150	18631HR1150	HOSE, 2nd air valve NO.2	1		
10	09401H18401	09401H18401	CLAMP, 2nd air valve hose	4		
11	18610HR1151PAM	18610HR1151PAM	PIPE COMP, 2nd air	1		
12	02142-06203	02142-06203	BOLT, 2nd air pipe	1		
13	02142-06168	02142-06168	SCREW, 2nd air pipe	2		
14	18631HN3250		HOSE, 2nd air valve NO.1	1		



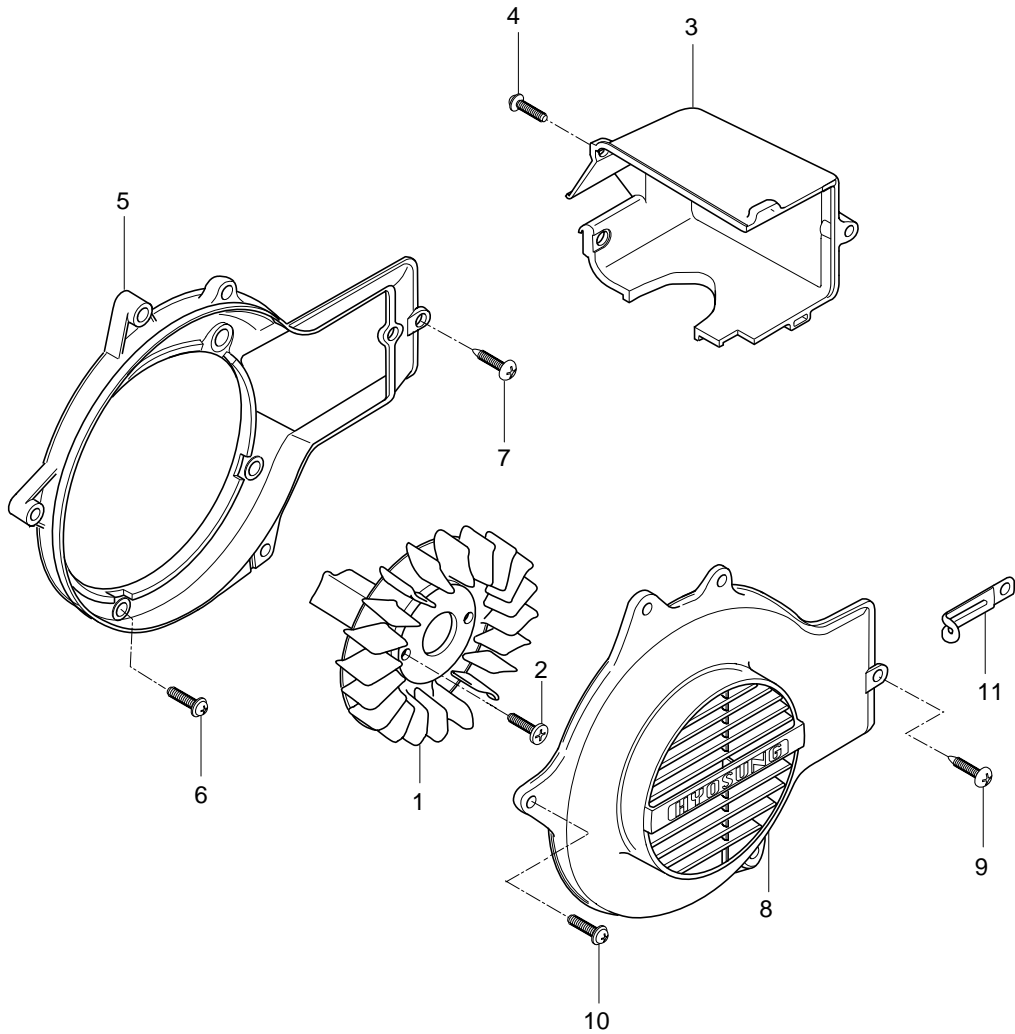
FIG.8



## FIG 8. OIL PUMP

REF. PARTS NO.			DESCRIPTION	Q`TY	REMARKS	REC.Q`TY
NO.	RUSO1	RCA01				(PCS)
1	16100HE1125	16100HE1125	PUMP ASS`Y, oil	1		5
2	16100-04C11	16100-04C11	PUMP ASS`Y, oil	1		5
3	16731H11202	16731H11202	GASTKET, oil pump	1		5
4	02112-35168	02112-35168	SCREW, (M5×16)	2		10
5	16821H11200	16821H11200	HOSE,oil No.1	1		5
6	09401-08401	09401-08401	CLIP	2		10
7	16831HE1401	16831HE1401	HOSE,oil No.2	1		5
8	09401-04401	09401-04401	CLIP	2		10
9	16331H11200	16331H11200	GEAR, oil pump pinion(NT:30)	1		5

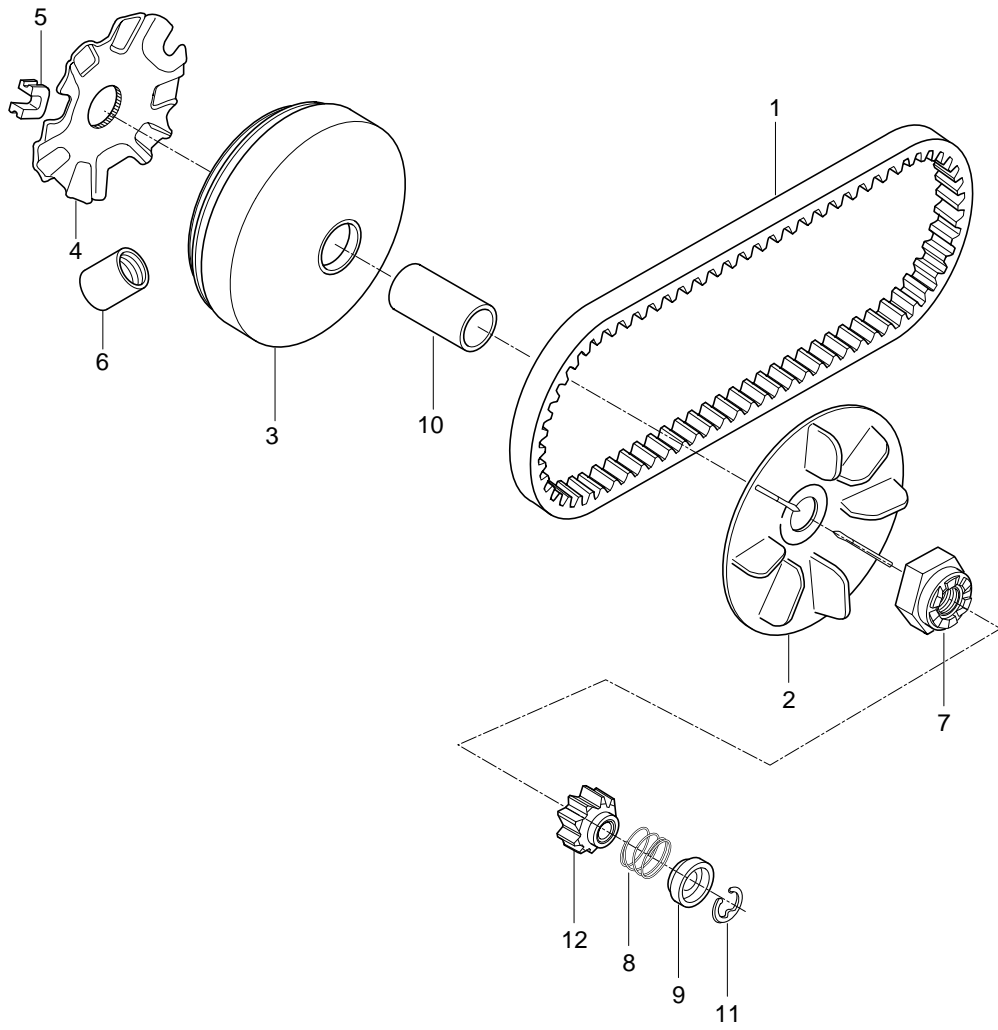
FIG.9



## FIG 9. COOLING FAN

REF. PARTS NO.		DESCRIPTION	Q`TY	REMARKS	REC.Q`TY (PCS)
NO.	RUSO1 RCA01				
1	17110H11200	17110H11200	FAN COMP, cooling	1	5
2	02112-96168	02112-96168	SCREW(M6×16)	2	10
3	17120H11204	17120H11204	COWLING COMP, cylinder	1	5
4	02112-96168	02112-96168	SCREW(M6×16)	2	10
5	17140H11200	17140H11200	CASE, fan	1	5
6	02152-06168	02152-06168	SCREW(M6×16)	4	20
7	03151-06205	03151-06205	SCREW(M6×20)	1	5
8	17130H11200	17130H11200	COWLING, fan	1	5
9	03151-06205	03151-06205	SCREW(M6×20)	4	20
10	03141-06355	03141-06355	SCREW(M6×35)	2	10
11	09404-06401	09404-06401	CLAMP	1	5

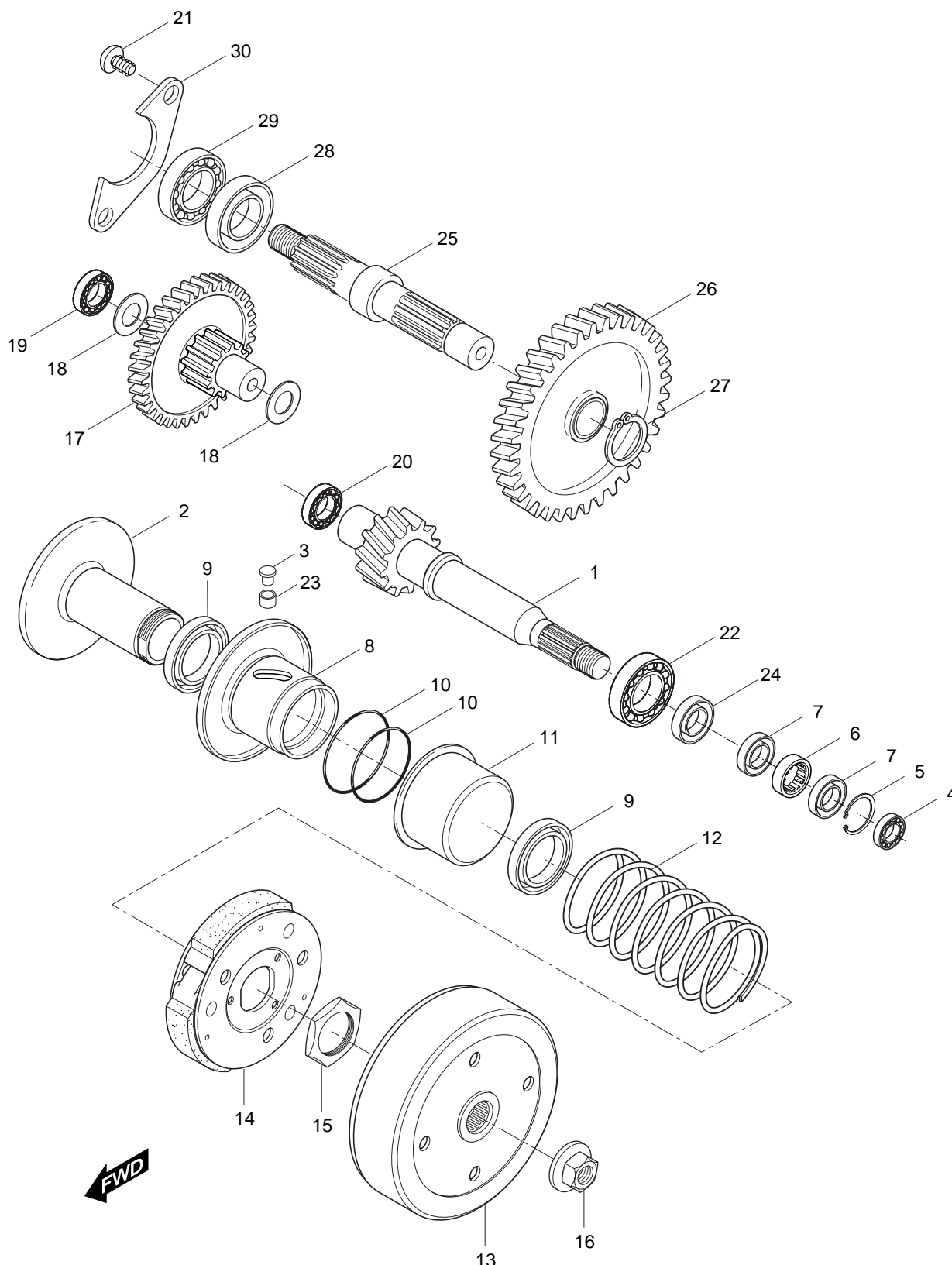
FIG.10



## FIG 10. TRANSMISSION[1]

REF. PARTS NO.		DESCRIPTION	Q`TY	REMARKS	REC.Q`TY (PCS)
NO.	RUSO1 RCA01				
1	27601HB1100	27601HB1100	1	V-BELT, drive	5
2	21110H11A02	21110H11A02	1	FACE, fixed drive	5
3	21120H25E10	21120H25E10	1	FACE COMP, movable drive	5
4	21431H11A01	21431H11A01	1	PLATE, movable drive	5
5	21481-29C21	21481-29C21	3	DAMPER, movable drive face	15
6	21652H11201	21652H11201	6	ROLLER, movable drive face	30
7	26282H11A00	26282H11A00	1	NUT, kick starter driven	5
8	09440H14007	09440H14007	1	SPRING	5
9	26283H11200	26283H11200	1	SPACER	5
10	09180-16041	09180-16041	1	SPACER	5
11	08332-11079	08332-11079	1	E-RING	5
12	26280-29C00	26280-29C00	1	GEAR, kick starter driven	5

FIG.11

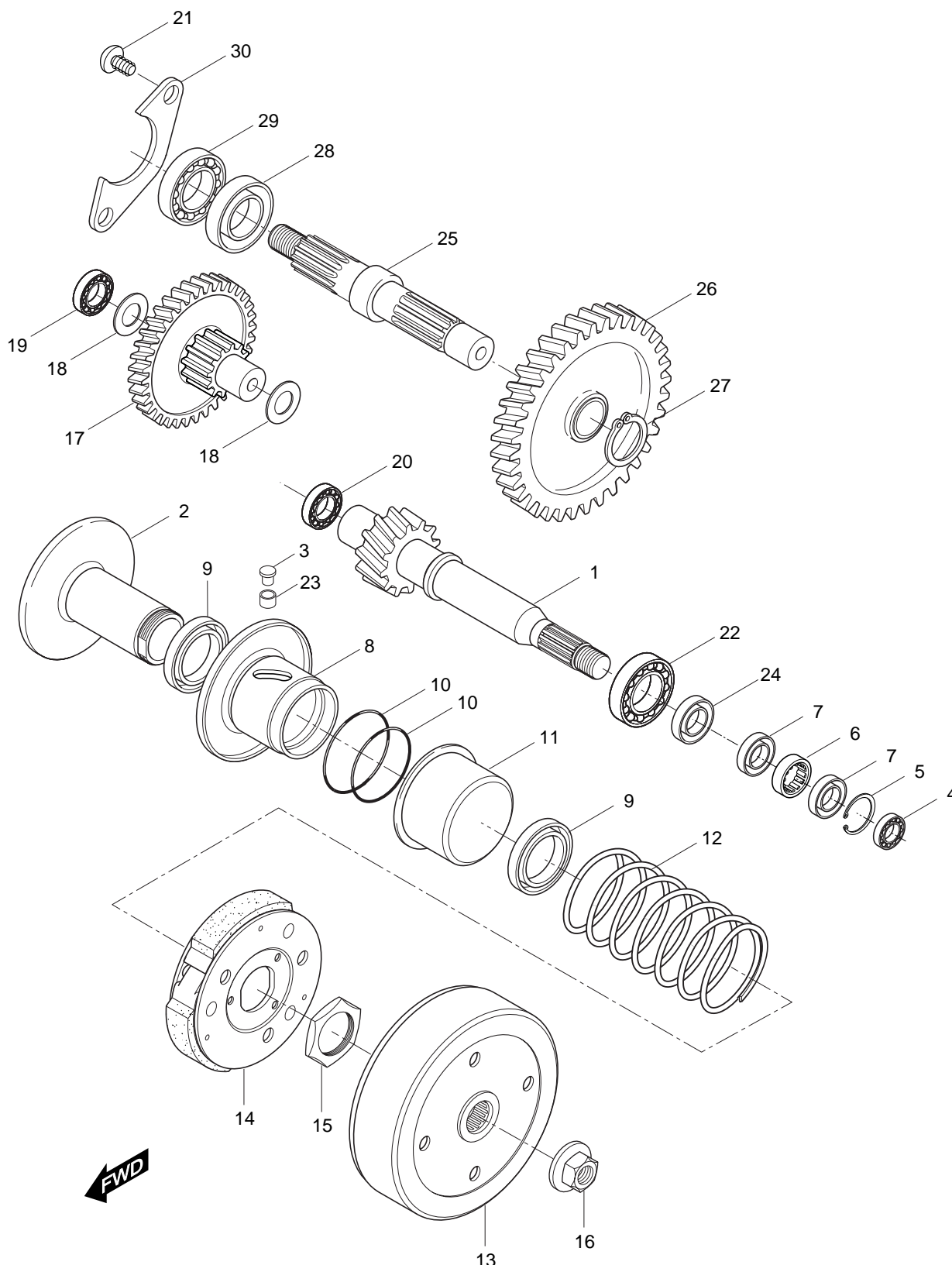


## FIG 11. TRANSMISSION[2]

REF. PARTS NO.		DESCRIPTION	Q`TY	REMARKS	REC.Q`TY
NO.	RUSO1				RCA01
0	21210S37B00HPA	21210S37B00HPA	FACE SET	1	5
1	24111H11223	24111H11223	SHAFT, drive (14T)	1	5
2	21210-37B00	21210-37B00	FACE, fixed driven	1	5
3	09201H06002	09201H06002	PIN, movable driven	3	15
4	08120H69017	08120H69017	BEARING(12x24x6)	1	5
5	08331-41249	08331-41249	CIRCLIP	1	5
6	09263-17042	09263-17042	BEARING, fixed driven R (17x25x10)	1	5
7	09284-34002	09284-34002	OIL SEAL,	2	10
8	21240-37B00	21240-37B00	FACE COMP, movable driven	1	5
9	09284-34002	09284-34002	OIL SEAL,(34x41x4)	2	10
10	09280-41005	09280-41005	O-RING	2	10
11	21471-03A02	21471-03A02	SHEET, movable driven face	1	5
12	09440H52003	09440H52003	SPRING	1	5
13	21220-04C12	21220-04C12	HOUSIGN, clutch	1	5
14	21501-29C10	21501-29C10	SHOE, clutch	1	5
15	09140H28004	09140H28004	NUT(M28)	1	5
16	08316-26108	08316-26108	NUT(M16)	1	5
17	24310S11A00HPA	24310S11A00HPA	GEAR ASS'Y, counter driven	1	5
17-1	24312H11222	24312H11222	GEAR, counter driven(11T)	1	5
17-2	24311H11A02	24311H11A02	GEAR, counter driven(41T)	1	5
18	09160-15034	09160-15034	THRUST WASHER, RH	2	10
19	08113-62010	08113-62010	BEARING (12x32x10)	1	5
20	08113-62020	08113-62020	BEARING (15x35x11)	1	5
21	02122-06168	02122-06168	SCREW, retainer(M6x16)	2	10
22	09262H17001	09262H17001	BEARING (17x47x14)	1	5
23	09180H06042	09180H06042	SPACER,movable driven fin	1	5
24	09283H17002	09283H17002	OIL SEAL (17x27x5)	1	5
25	24141HD2100	24141HD2100	SHAFT, rear axle	1	5
26	24331H11220	24331H11220	GEAR, final (40T)	1	5
27	08331-31229	08331-31229	CIRCLIP	1	5



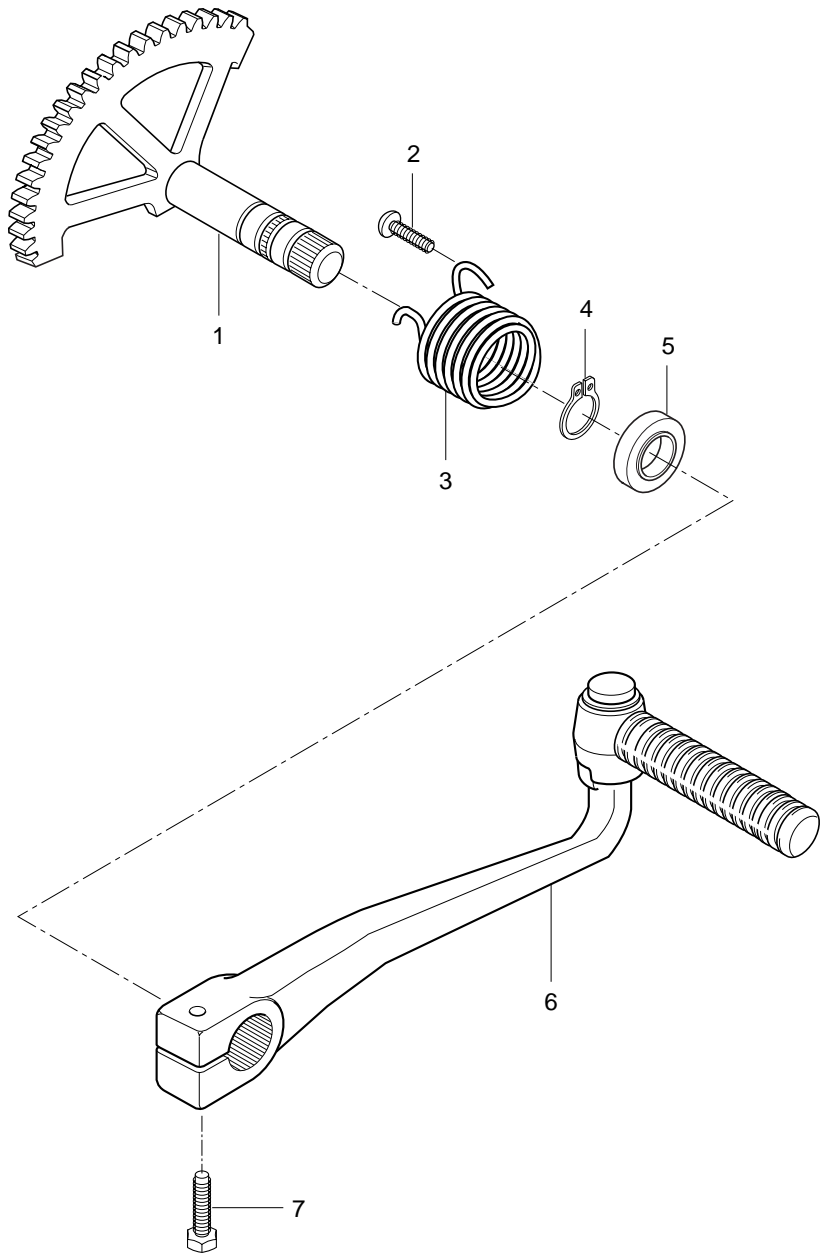
FIG.11



## FIG 11. TRANSMISSION[2]

REF. PARTS NO.		DESCRIPTION	Q`TY	REMARKS	REC.Q`TY (PCS)
NO.	RUSO1 RCA01				
28	09283-27010	09283-27010	OIL SEAL(27x40x7)	1	5
29	08113-62030	08113-62030	BEARING, rear axleshaft	1	5
30	24751H07900	24751H07900	RETAINER	1	5

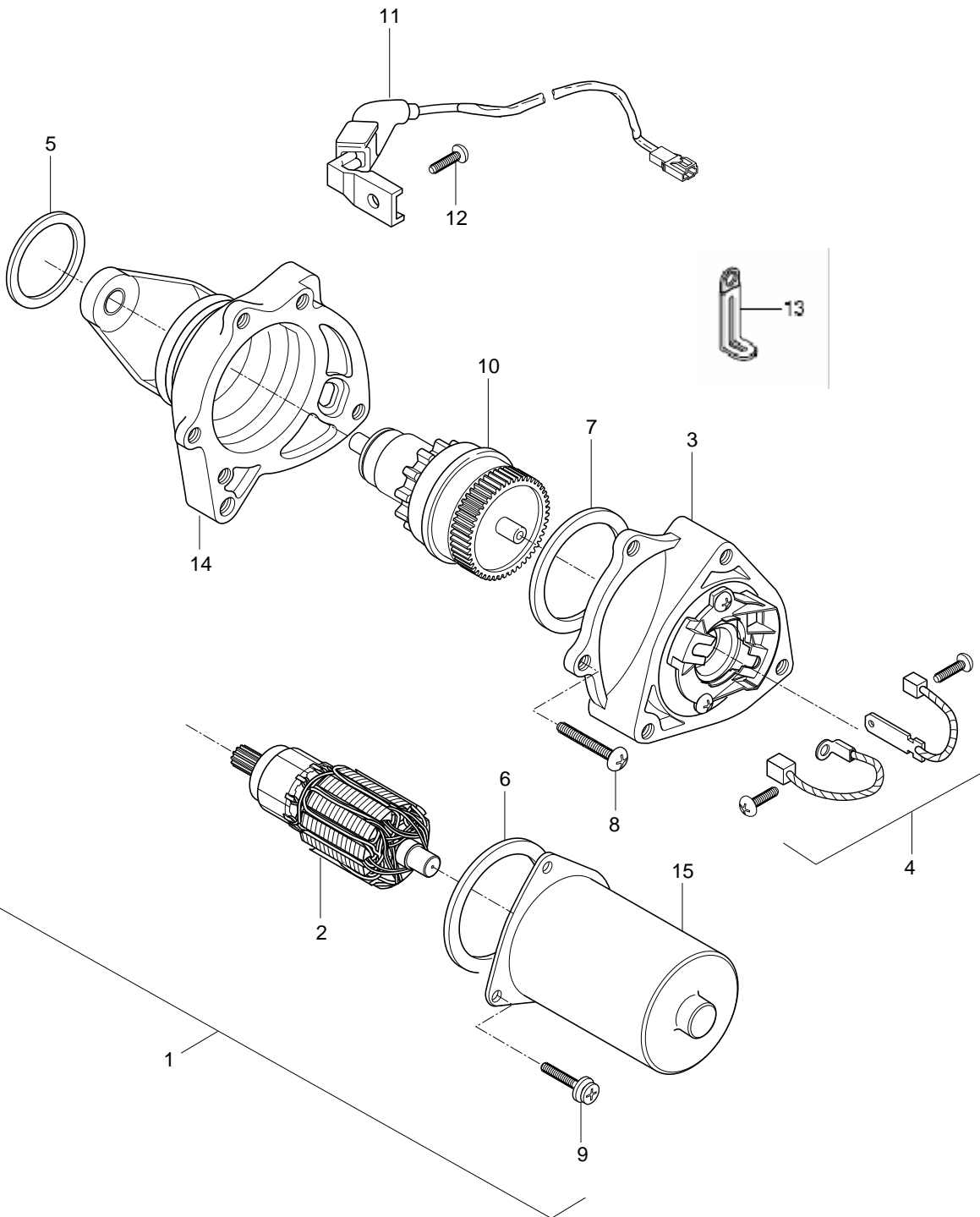
FIG.12



## FIG 12. KICK STARTER

REF. PARTS NO.		DESCRIPTION	Q`TY	REMARKS	REC.Q`TY (PCS)
NO.	RUSO1				
1	26210HE1100	26210HE1100	1	SHAFT, kick starter	5
2	02142-06108	02142-06108	1	SCREW(M6×10)	5
3	09448-58003	09448-58003	1	SPRING	5
4	08331-31149	08331-31149	1	CLRCLIP	5
5	09285-14001	09285-14001	1	DUST SEAL(14×24×5)	5
6	26300H11200	26300H11200	1	LEVER ASS'Y, kick starter	5
7	01107-06208	01107-06208	1	BOLT, kick starter lever(M6×20)	5

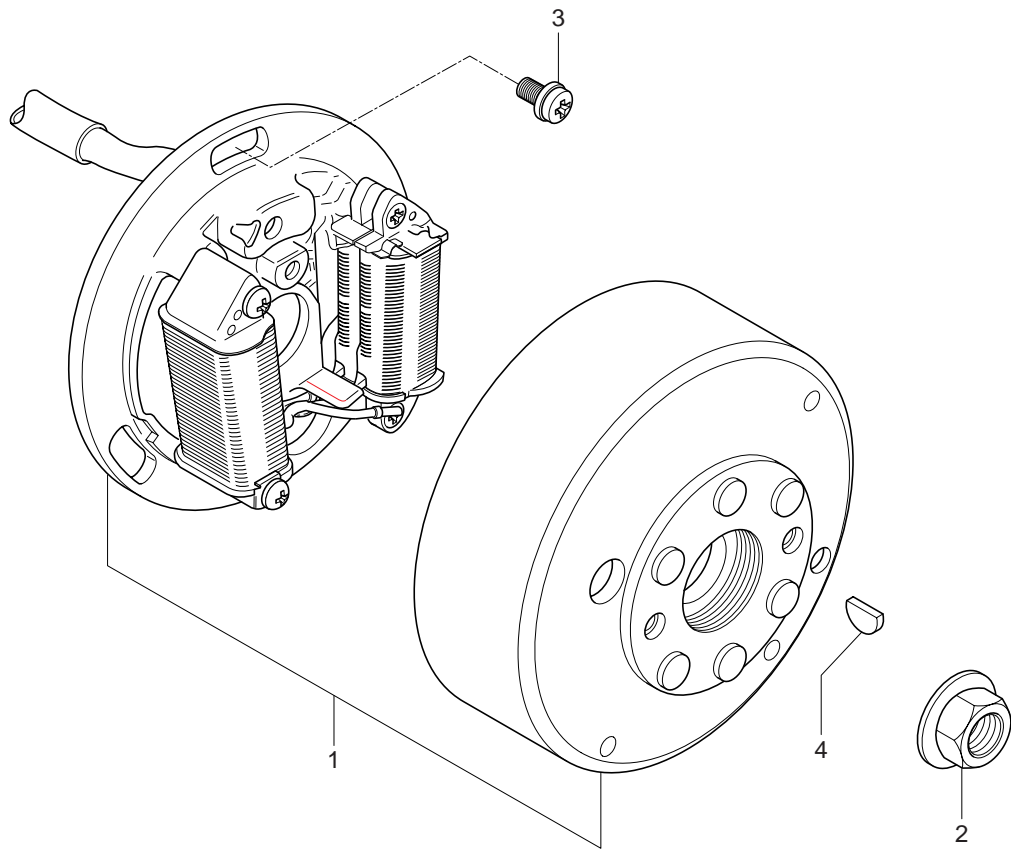
FIG.13



## FIG 13. STARTING MOTOR

REF. PARTS NO.		DESCRIPTION	Q'TY	REMARKS	REC.Q'TY
NO.	RUSO1				RCA01
1	31100H11A02	31100H11A02	MOTOR ASS'Y, starting	1	5
2	31311H11200	31311H11200	ARMATURE	1	5
3	31130-02100	31130-02100	HOLDER ASS'Y,brush	1	5
4	31131-02100	31131-02100	BRUSH SET	1	5
5	31156-02100	31156-02100	O-RING	1	5
6	31158-02540	31158-02540	GASKET	1	5
7	31158-02100	31158-02100	O-RING	1	5
8	31151-02540	31151-02540	SCREW B	2	10
9	31151-02100	31151-02100	SCREW A	3	15
10	31370H11200	31370H11200	PINION GEAR ASS'Y	2	10
11	31151-02100	31151-02100	LEAD WIRE	3	15
12	31152-02540	31152-02540	SCREW	1	5
13	09404-06404	09404-06404	CLAMP, lead wire	1	5
14	31132HF1600	31132HF1600	HOLDER	1	5
15	31120HF1600	31120HF1600	COVER, starter motor	1	5

FIG.14

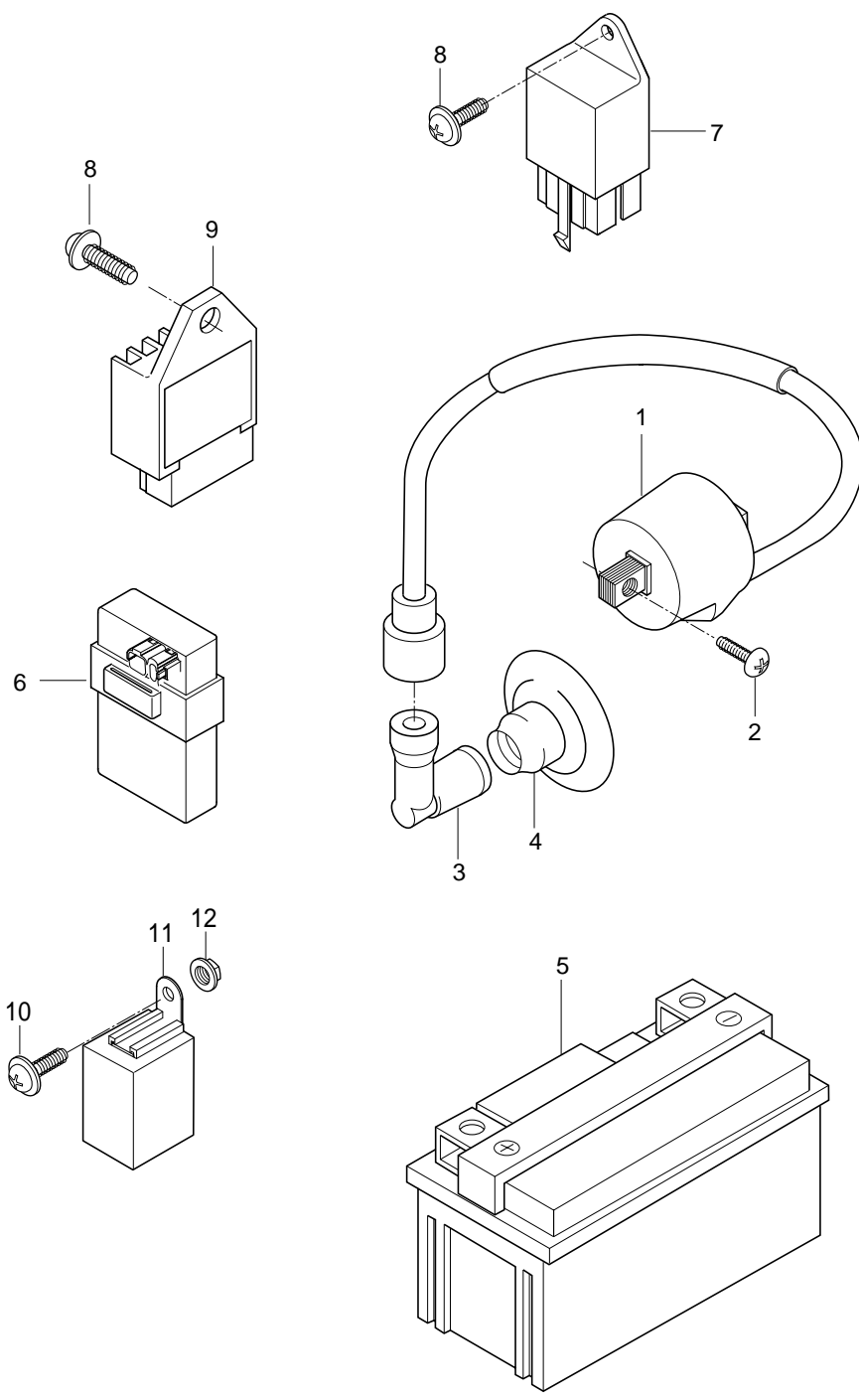


# FIG 14. MAGNETO

REF. PARTS NO.		DESCRIPTION	Q`TY	REMARKS	REC.Q`TY (PCS)
NO.	RUSO1				
1	32100HG2670	32100HG2670	MAGNETO ASS'Y	1	5
2	08316-26108	08316-26108	NUT(M10)	1	5
3	09132H05128	09132H05128	SCREW	3	15
4	08341-31039	08341-31039	KEY	1	5



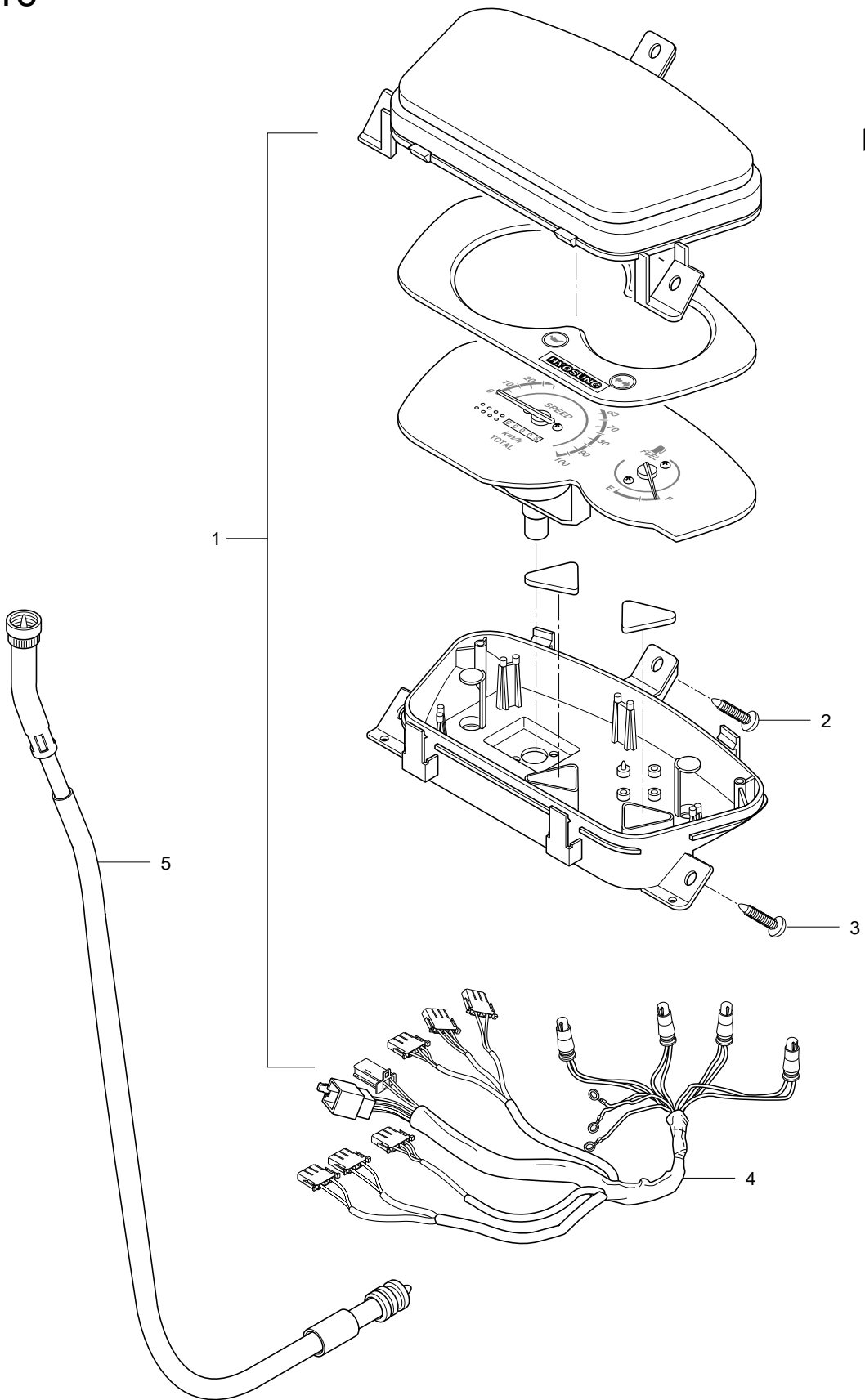
FIG.15



# FIG 15. ELECTRICAL

REF. PARTS NO.		DESCRIPTION	Q`TY	REMARKS	REC.Q`TY (PCS)
NO.	RUSO1				
1	33410H11210	33410H11210	1		5
2	02112-46208	02112-46208	2		10
3	33510H11200	33510H11200	1		5
4	33543HG2600	33543HG2600	1		5
5	33610-40B12	33610-40B12	1		5
6	32900HR1160	32900HR1160	1		5
7	31800H47A00	31800H47A00	1		5
8	02142-06168	02142-06168	1		10
9	32800-36C20	32800-36C20	1		5
10	02142-06168	02142-06168	3		5
11	38610HL7350	38610HL7350	1		5
12	08316-26066	08316-26066	1		5

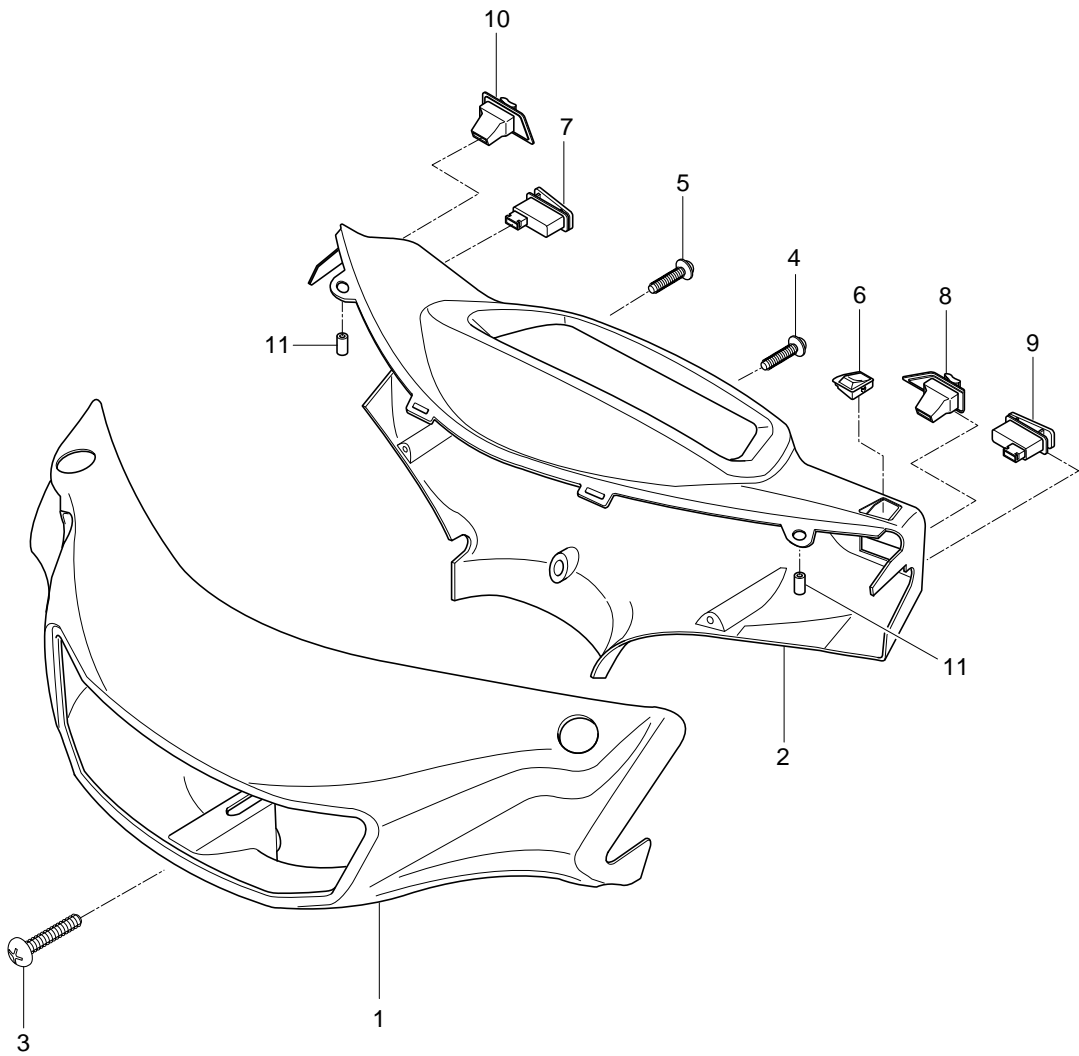
FIG.16



## FIG 16. SPEEDOMETER

REF. PARTS NO.		DESCRIPTION	Q`TY	REMARKS	REC.Q`TY (PCS)
NO.	RUSO1				
1	34100HF1671	34100HF1671	SPEEDOMETER ASS`Y	1	5
2	03241-05165	03241-05165	SCREW,(5×16)	1	5
3	03241-05206	03241-05206	SCREW,(5×20)	2	10
4	34170HF1670	34170HF1670	CORD	1	5
5	34910HB1101	34910HB1101	CABLE ASS`Y, speedometer	1	5

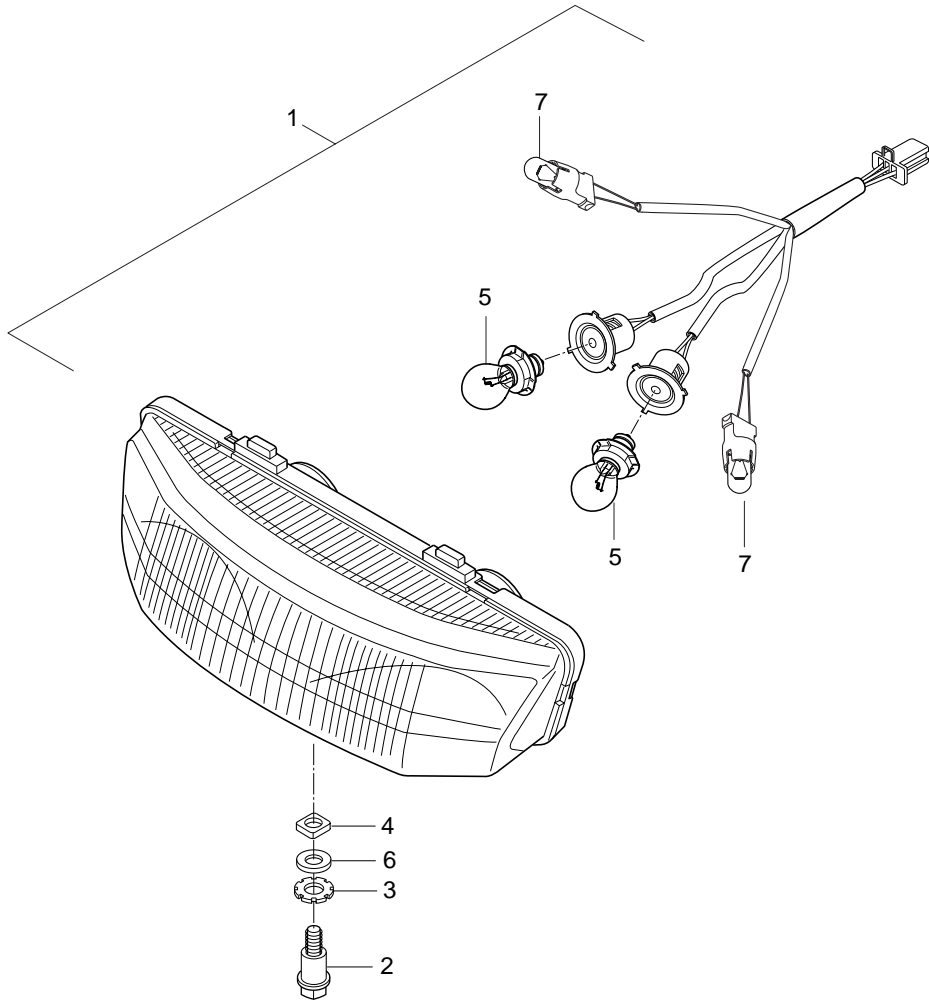
FIG.17



## FIG 17. HANDLE COVER

REF. PARTS NO.		DESCRIPTION	Q`TY	REMARKS	REC.Q`TY (PCS)
NO.	RUSO1 RCA01				
1	56310HG2160	56310HG2160	COVER,handle front(0DB,0MY,0PR,0SS)	1	5
2	56321HF1601	56321HF1601	COVER,handle rear	1	5
3	02142-05125	02142-05125	SCREW, handle cover F/T, R/R(5×12)	2	10
4	03241-05165	03241-05165	SCREW, handle cover R/R upper(5×16)	2	10
5	03241-04166	03241-04166	SCREW, handle cover R/R side(4×16)	2	10
6	37430HE6100	37430HE6100	DIMMER SWITCH	1	5
7	37220HE6100	37220HE6100	START SWITCH	1	5
8	37410HE6100	37410HE6100	TURN SWITCH	1	5
9	37420HE6100	37420HE6100	HORN SWITCH	1	5
10	37240HE6150	37240HE6150	ENGINE STOP, switch	1	5
11	56315-36C00	56315-36C00	BOSS,handle cover rear	2	10

FIG.18

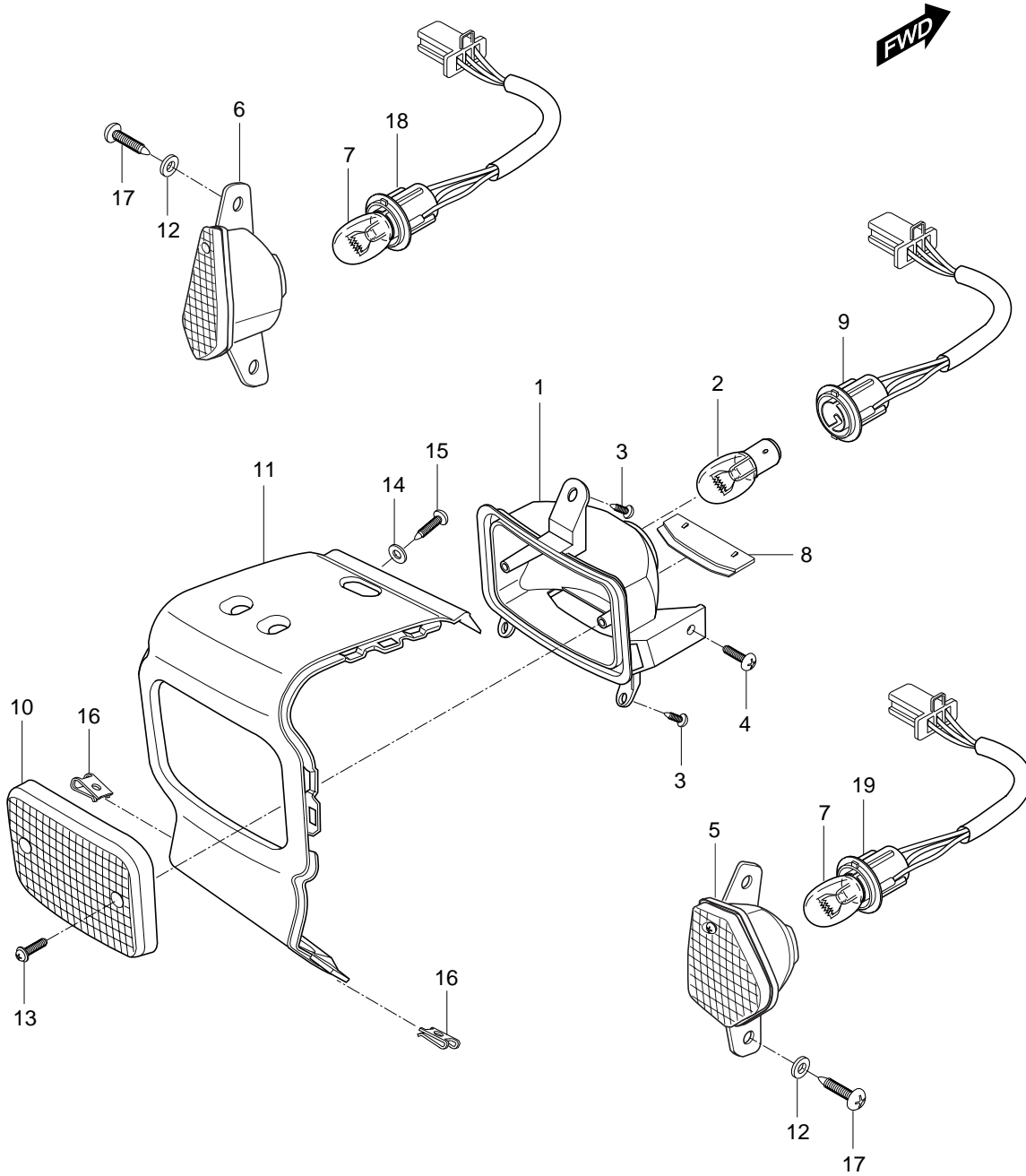


# FIG 18. HEAD LAMP

REF. PARTS NO.		DESCRIPTION	Q`TY	REMARKS	REC.Q`TY (PCS)
NO.	RUSO1 RCA01				
1	35100HF1601	35100HF1601	1	HEAD LAMP ASS'Y	5
2	35151H11200	35151H11200	1	BOLT,head lamp aiming(4×11)	5
3	35128H11200	35128H11200	1	WASHER, head lamp aiming	5
4	35135H11200	35135H11200	1	NUT, head lamo aiming	5
5	09471H11A20	09471H11A20	2	BULB, head lamp(12V S3 15W)	10
6	08322-21068	08322-21068	1	WASHER	5
7	09471H11A21	09471H11A21	2	BULB,position lamp(12V 3w)	10



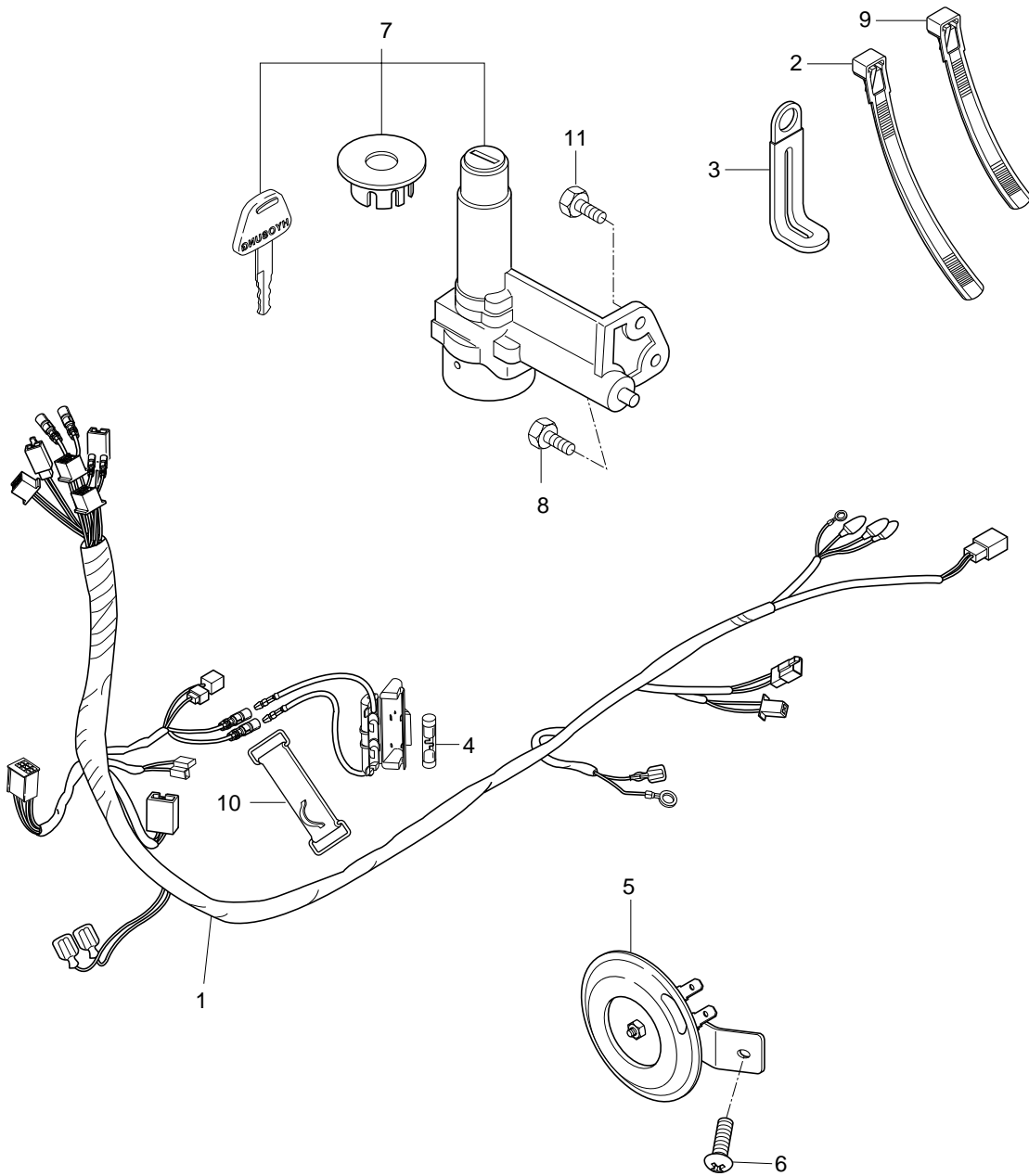
FIG.19



## FIG 19. REAR COMBINATION LAMP

REF. PARTS NO.		DESCRIPTION	Q'TY	REMARKS	REC.Q'TY
NO.	RUSO1				RCA01
1	35710HF1622	35710HF1622	LAMP ASSY, rear combination	1	5
2	09471-12008	09471-12008	BULB, tail & stop lamp (12V P21/5W)	1	5
3	03241-04166	03241-04166	SCREW, tail & stop lamp (4X12)	3	5
4	01517-06168	01517-06168	BOLT, tail & stop lamp (6X16)	2	5
5	35603HF1621	35603HF1621	LAMP, rear turnsignal R	1	5
6	35604HF1621	35604HF1621	LAMP, rear turnsignal L	1	5
7	09471-12003	09471-12003	BULB, rear turnsignal (12V P21W)	2	5
8	35770HF1600	35770HF1600	LICENSE LENS	2	10
9	35760HF1600	35760HF1600	SOCKET & CORD ASSY	1	5
10	35712HF1600	35712HF1600	LENS, tail stop	1	5
11	47311HG2100	47311HG2100	COVER, center	1	5
12	08322-2165	08322-2165	WASHER	4	
13	03241-04165	03241-04165	SCREW(4X16)	2	
14	09169-06034	09169-06034	WASHER	2	
15	02142-06165	02142-06165	SCREW(6X16)	2	
16	09148-05020	09148-05020	SPRING NUT	2	
17	03241-05165	03241-05165	SCREW, rear turnsignal lamp	4	
18	35638HF1600	35638HF1600	SOCKET & CORD ASS'Y, RR T/S L	1	
19	35618HF1600	35618HF1600	SOCKET & CORD ASS'Y, RR T/S R	1	

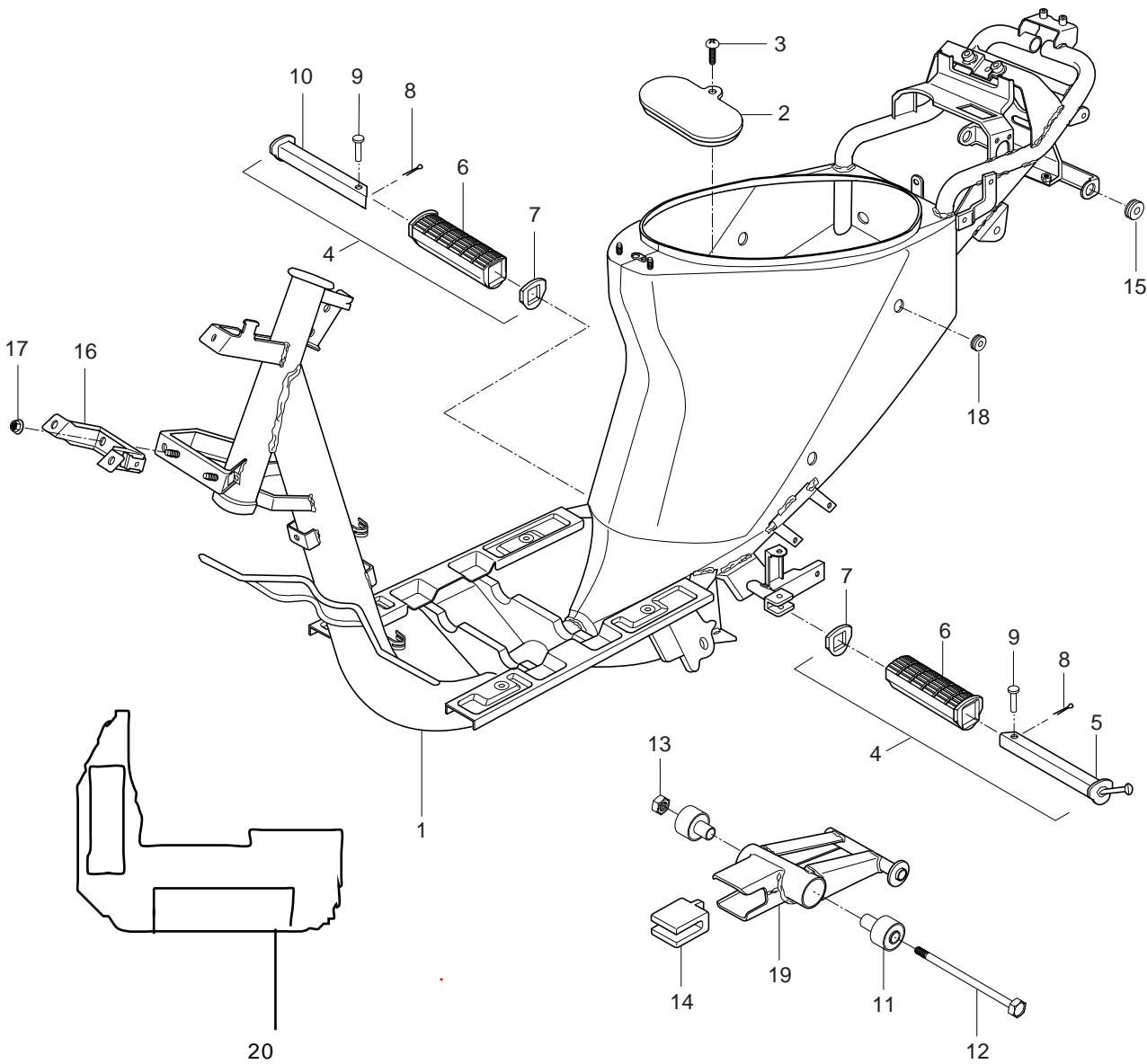
FIG.20



# FIG 20. WIRING HARNESS

REF. PARTS NO.		DESCRIPTION	REMARKS	REC.Q'TY (PCS)
NO.	RUSO1 RCA01			
				<b>Q`TY</b>
1	36610HR3460	36610HR3460	WIRING HARNESS	1
2	09407-22402	09407-22402	CLAMP, wiring harness	1
3	09404-06404	09404-06404	CLAMP, wiring harness	1
4	36740-350A0	36740-350A0	FUSE ASS'Y	1
5	38500HN3201	38500HN3201	HORN ASS'Y	1
6	01517-06128	01517-06128	BOLT	1
7	37100HG2430	37100HG2430	LOCK ASSY, steering	1
8	09139H06016	09139H06016	SCREW, steering lock	2
9	09407-14403	09407-14403	CLAMP, wiring harness	1
10	33651H11200	33651H11200	BAND, battery	1
11	09128-06005	09128-06005	SCREW, steering lock No2	1

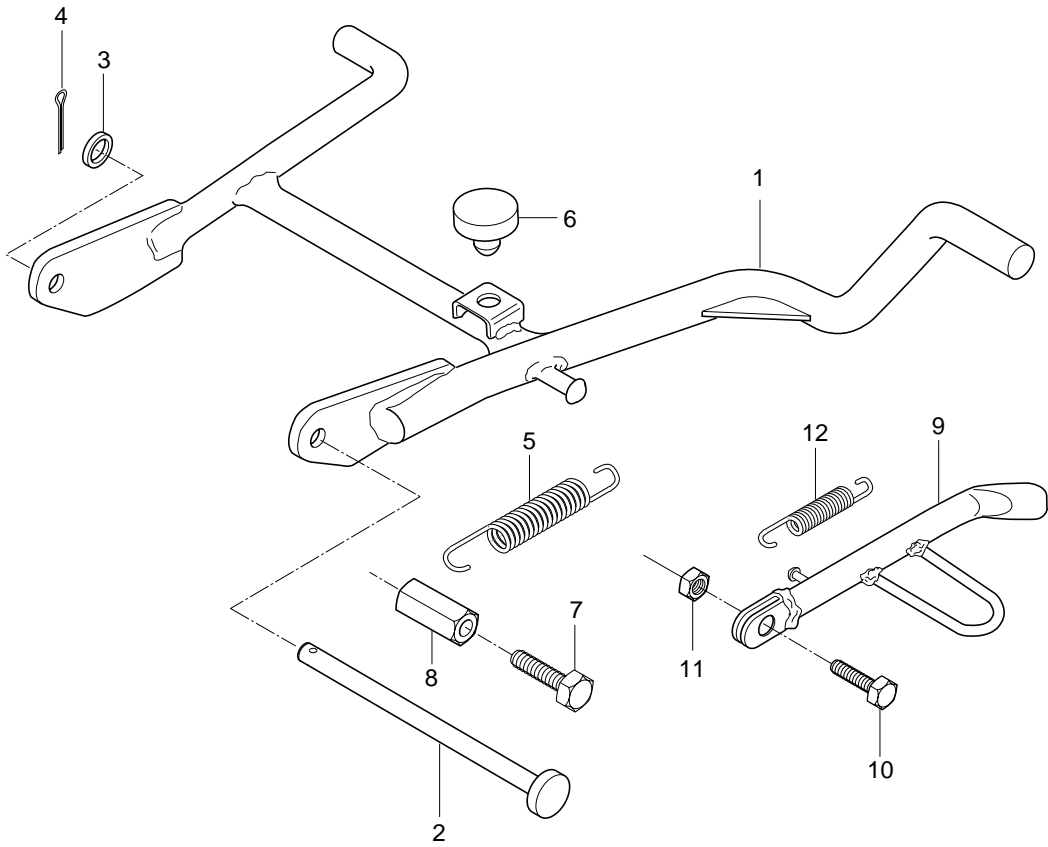
FIG.21



# FIG 21. FRAME

REF. PARTS NO.		DESCRIPTION	Q`TY	REMARKS	REC.Q`TY
NO.	RUSO1				RCA01
1	41100HR3400PAM	41100HR3400PAM	FRAME ASSY	1	5
2	41489H11201	41489H11201	COVER, frame body lamp lower	1	5
3	02142-06128	02142-06128	SCREW,frame body lower cover	1	10
4	43610HF1602F1	43610HF1602F1	FOOTREST ASSY,pillion	1	5
5	43620HF1602	43620HF1602	BAR COMP, pillion footrest L	1	5
6	43612HF1600	43612HF1600	RUBBER, pillion footrest	2	5
7	43631HF1601	43631HF1601	WASHER, pillion footrest	2	5
8	04111-20208	04111-20208	COTTER PIN,pillion footrest	2	10
9	09200H06057	09200H06057	PIN,pillion footrest	2	10
10	43610HF1602	43610HF1602	BAR COMP, pillion footrest R	1	5
11	09319H12025	09319H12025	BUSH, engine mounting link	1	5
12	09103-12045	09103-12045	BOLT,engine mounting link (12X140)	1	
13	08319-31126	08319-31126	NUT,engine mounting link(12)	1	
14	61121H11201	61121H11201	CUSHION,engine mounting link	1	
15	09320-08013	09320-08013	CUSHION	2	
16	41530H11A02	41530H11A02	PLATE, leg shield lower	1	
17	08316-16068	08316-16068	NUT(6)	1	
18	09320-08013	09320-08013	CUSHION	4	
19	61110H11203	61110H11203	LINK,engine mounting	1	
20	53181HG1900	53181HG1900	FENDER, FR UPPER	1	

FIG.22

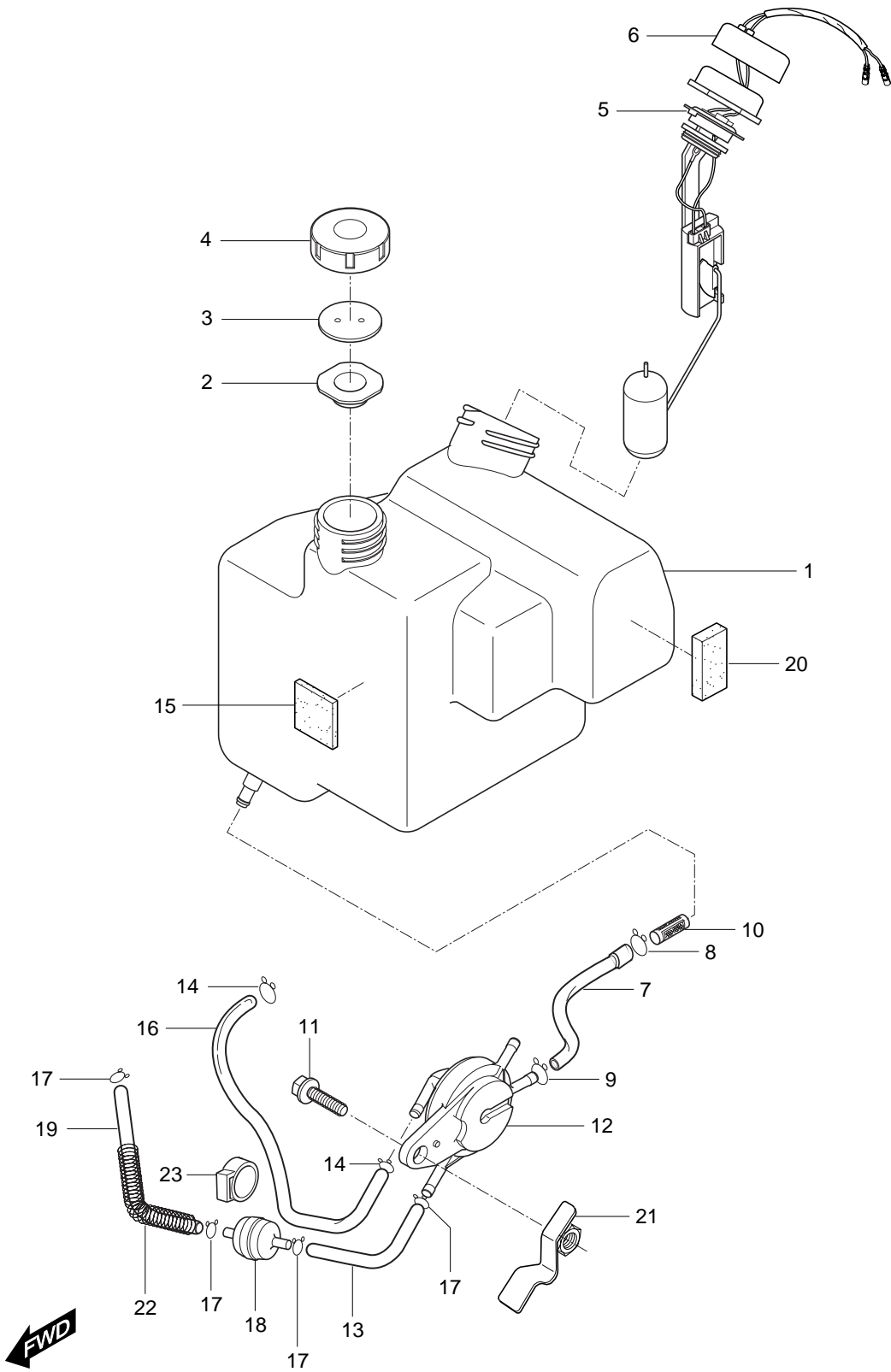


## FIG 22. STAND

REF. PARTS NO.		DESCRIPTION	Q`TY	REMARKS	REC.Q`TY
NO.	RUSO1				RCA01
1	42110HG1700	42110HG1700	STAND, center	1	5
2	42211-41D00	42211-41D00	SHAFT, center stand pivot	1	5
3	08322-21108	08322-21108	WASHER center stand	1	5
4	09204-02003	09204-02003	COTTER PIN center stand	1	5
5	09443-17005	09443-17005	SPRING, center stand	1	5
6	09321-10001	09321-10001	CUSHION	1	5
7	01104-06258	01104-06258	BOLT,center stand spring(6X25)	1	5
8	08310-11068	08310-11068	NUT, center stand spring	1	5
9	42310HG1901	42310HG1901	STAND, prop	1	5
10	09100-10131	09100-10131	BOLT, prop stand(10×33)	1	5
11	08313-11107	08313-11107	NUT, prop stand (10)	1	5
12	09443-14036	09443-14036	SPRING, prop stand(6X20)	1	5



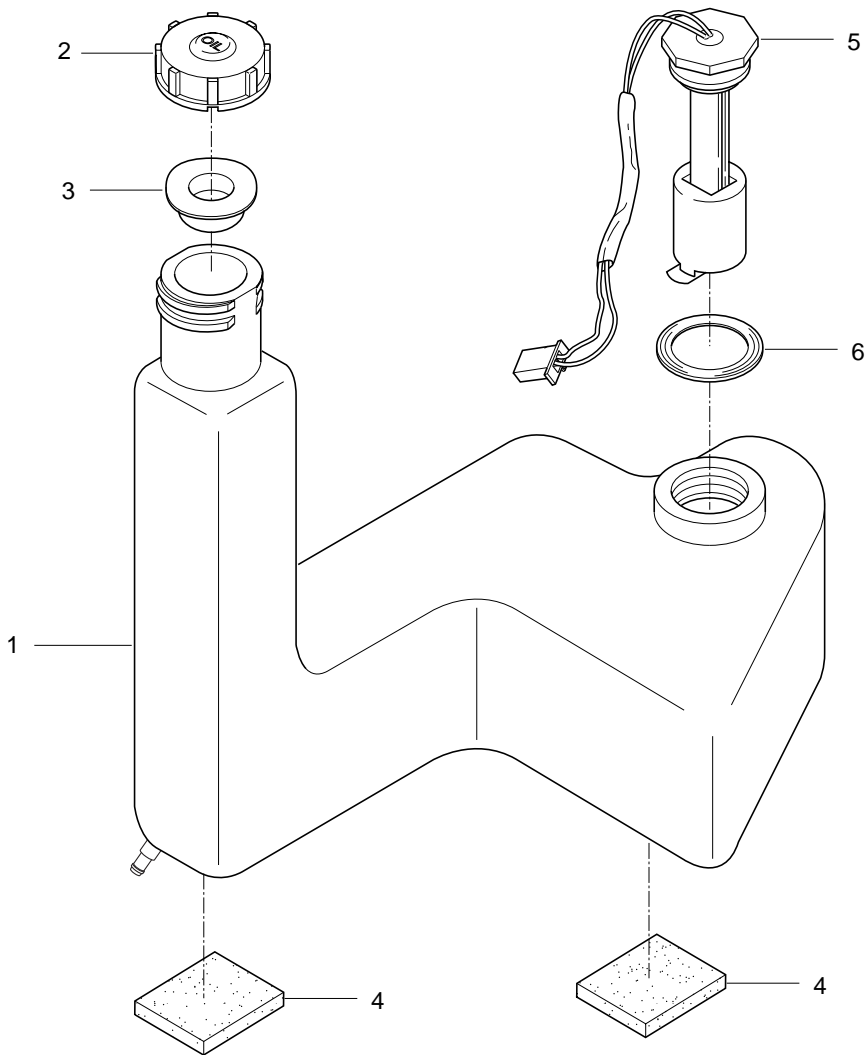
FIG.23



## FIG 23. FUEL TANK

REF. PARTS NO.		DESCRIPTION	Q'TY	REMARKS	REC.Q'TY
NO.	RUSO1				RCA01
1	44100HF1601	44100HF1601	TANK COMP,fuel	1	5
2	44241H11202	44241H11202	GASKET,fuel tank cap NO.1	1	NOT SALE 5
3	44261H11201	44261H11201	GASKET,fuel tank cap NO.2	1	NOT SALE 5
4	44200H11203	44200H11203	CAP SET,fuel tank	1	5
5	34810HF1600	34810HF1600	GAUGE ASSY,fuel level	1	5
6	44587H11200	44587H11200	CAP,fuel level gauge	1	5
7	44199HF1602	44199HF1602	HOSE,fuel inlet(L=85)	1	5
8	09401H11401	09401H11401	CLIP,fuel inlet NO.1	1	10
9	09401-10401	09401-10401	CLIP,fuel inlet NO.2	1	5
10	44322HF1600	44322HF1600	FITER,fuel	1	5
11	01517-06208	01517-06208	BOLT,fuel cock(6X20)	1	5
12	44300HE7100	44300HE7100	COCK ASSY,fuel	1	5
13	44196H11A02	44196H11A02	HOSE,fuel outlet NO.1(L=40)	1	5
14	09401-10401	09401-10401	CLIP,vacuum hose	2	5
15	44281-29C00	44281-29C00	PROTECT,fuel tank	7	5
16	09352-50823270	09352-50823270	HOSE,vacuum(L=240)	1	5
17	09401-08401	09401-08401	CLIP,fuel outlet hose	4	10
18	44910HG2600	44910HG2600	STANINER COMP,fuel	1	30
19	44197HB1100	44197HB1100	HOSE,fuel outlet NO.2(L=170)	1	5
20	44215HF1601	44215HF1601	CUSHION,fuel tank	3	20
21	44921HF1600	44921HF1600	PLATE, strainer	1	10
22	09440-10019	09440-10019	SPRING, fuel tank hose NO.2	1	5
23	44915H11A00	44915H11A00	COMP, strainer	1	5

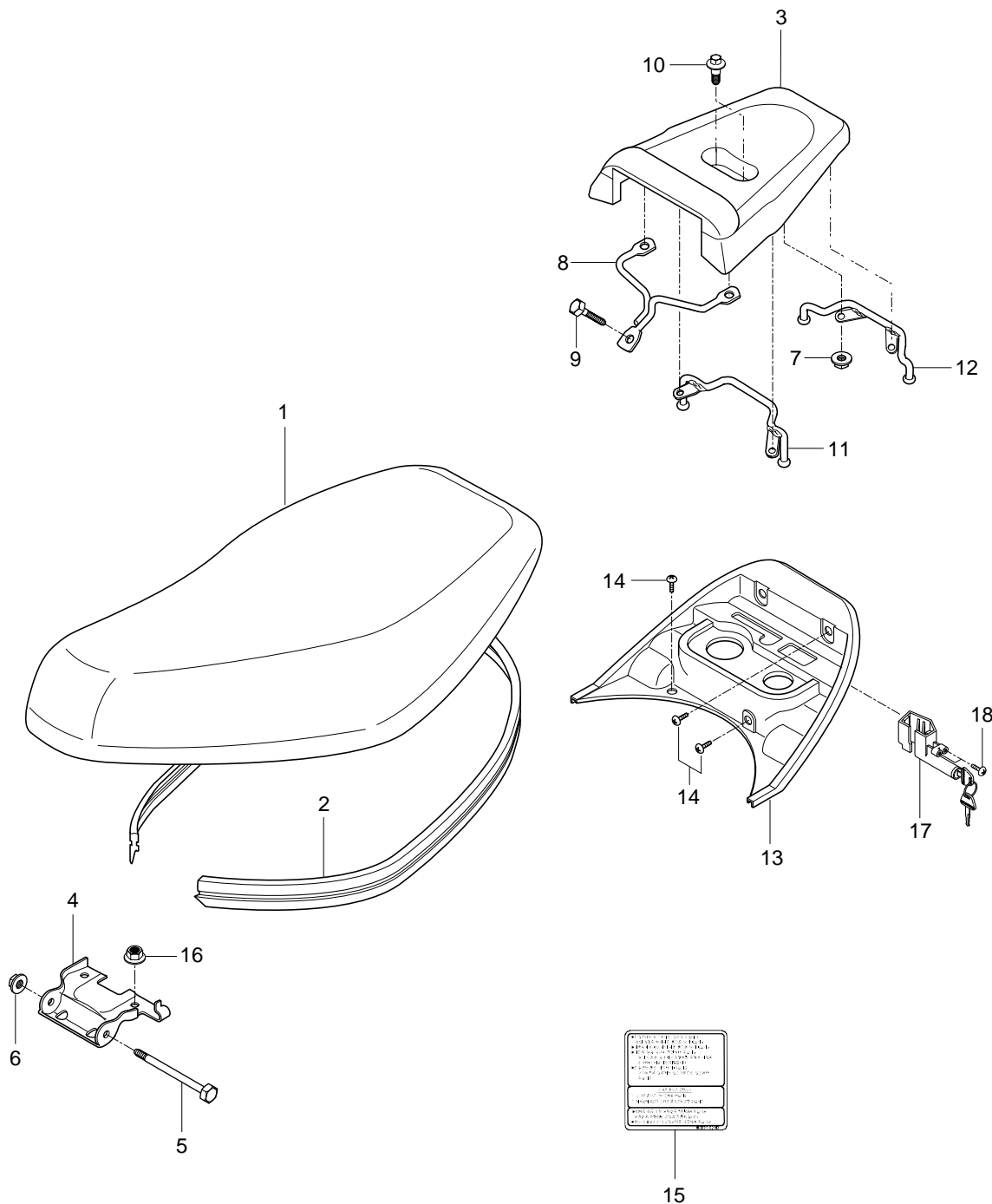
FIG.24



## FIG 24. OIL TANK

REF. PARTS NO.		DESCRIPTION	Q`TY	REMARKS	REC.Q`TY (PCS)
NO.	RUSO1				
1	44610HF1601	44610HF1601	TANK SET,oil	1	5
2	44651-050A4	44651-050A4	CAP,oil tank	1	5
3	44661-305A1	44661-305A1	GASKET, oil tank cap NO.2	1	5
4	44281-29C00	44281-29C00	PROTECTO, oil tank	2	5
5	37880HF1602	37880HF1602	SWITCH ASSY,oil level	1	5
6	44643-31000	44643-31000	GASKET	1	5

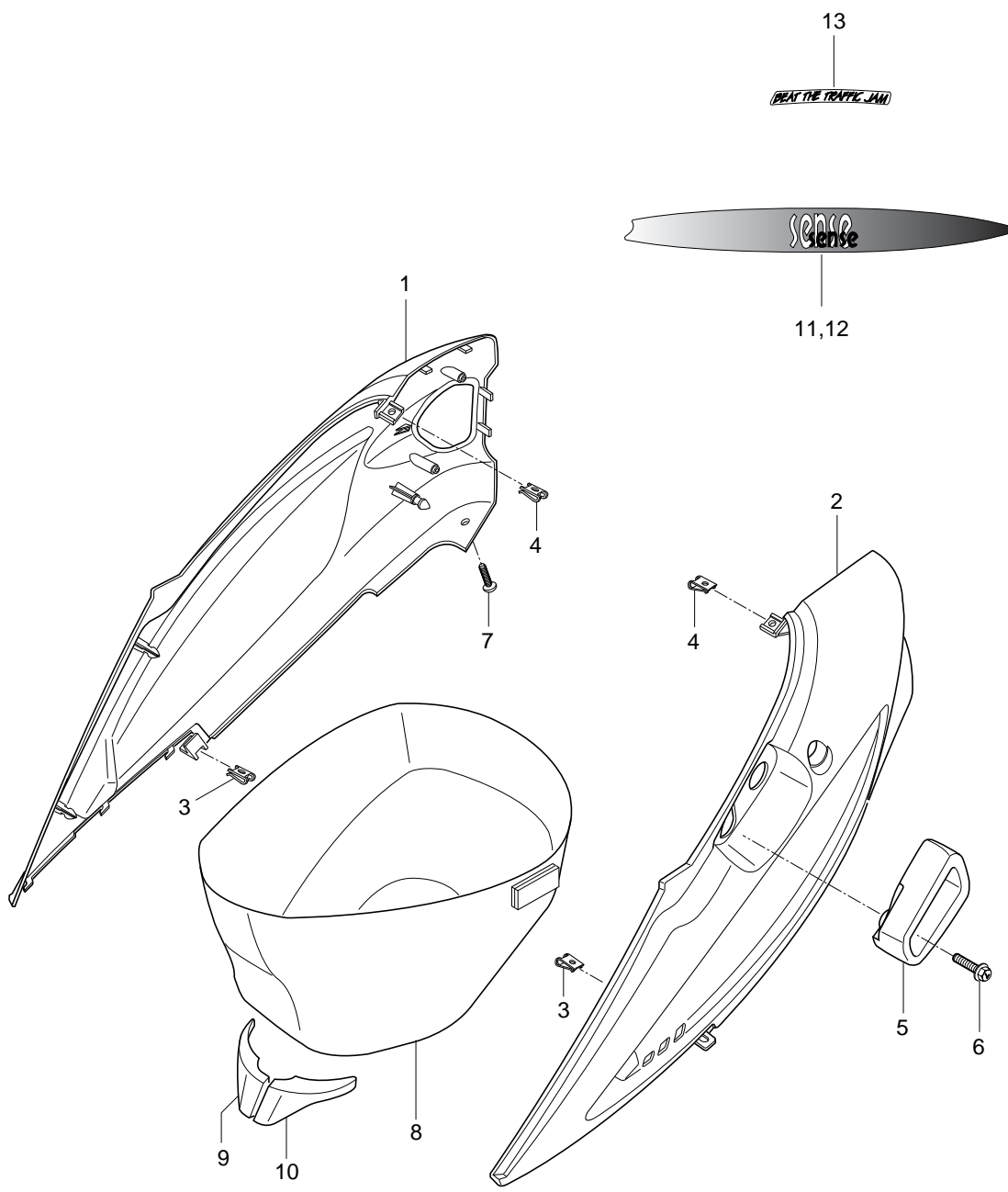
FIG.25



# FIG 25. SEAT

REF. PARTS NO.		DESCRIPTION	Q'TY	REMARKS	REC.Q'TY
NO.	RUSO1				RCA01
1	45100HF1603	45100HF1603	SEAT SET	1	5
2	45211H11200	45211H11200	MOULDING,seat	1	5
3	46410HF1600121	46410HF1600121	CARRIER COMP, rear	1	10
4	45284H11203	45284H11203	BRACKET,seat support lower	1	5
5	45215-39C01	45215-39C01	BOLT, seat bracket (6X62)	1	5
6	08310-11068	08310-11068	NUT,seat bracket (6)	1	10
7	08316-26066	08316-26066	NUT, rear carrier hook	4	5
8	46420HF1601	46420HF1601	BRACKET COMP,rear carrier	1	5
9	01517-06205	01517-06205	BOLT, rear carrier front	1	10
10	09111H06E06	09111H06E06	BOLT,rear carrier rear(6X18.5)	2	5
11	46440HF1602	46440HF1602	HOOK COMP,rear carrierNO.1	1	5
12	46450HF1600	46450HF1600	HOOK COMP, rear carrier NO.2	1	10
13	47181HF1601	47181HF1601	COVER,frame upper	1	5
14	02142-06128	02142-06128	SCREW(6X10)	4	20
15	68332H11A00	68332H11A00	LABEL,caution NO.2	1	5
16	08316-26066	08316-26066	NUT,seat brackert(6)	2	5
17	45700HF1600	45700HF1600	LOCK ASSY,seat	1	5
18	02112-06168	02112-06168	SCREW,seat lock (6X16)	2	15

FIG.26

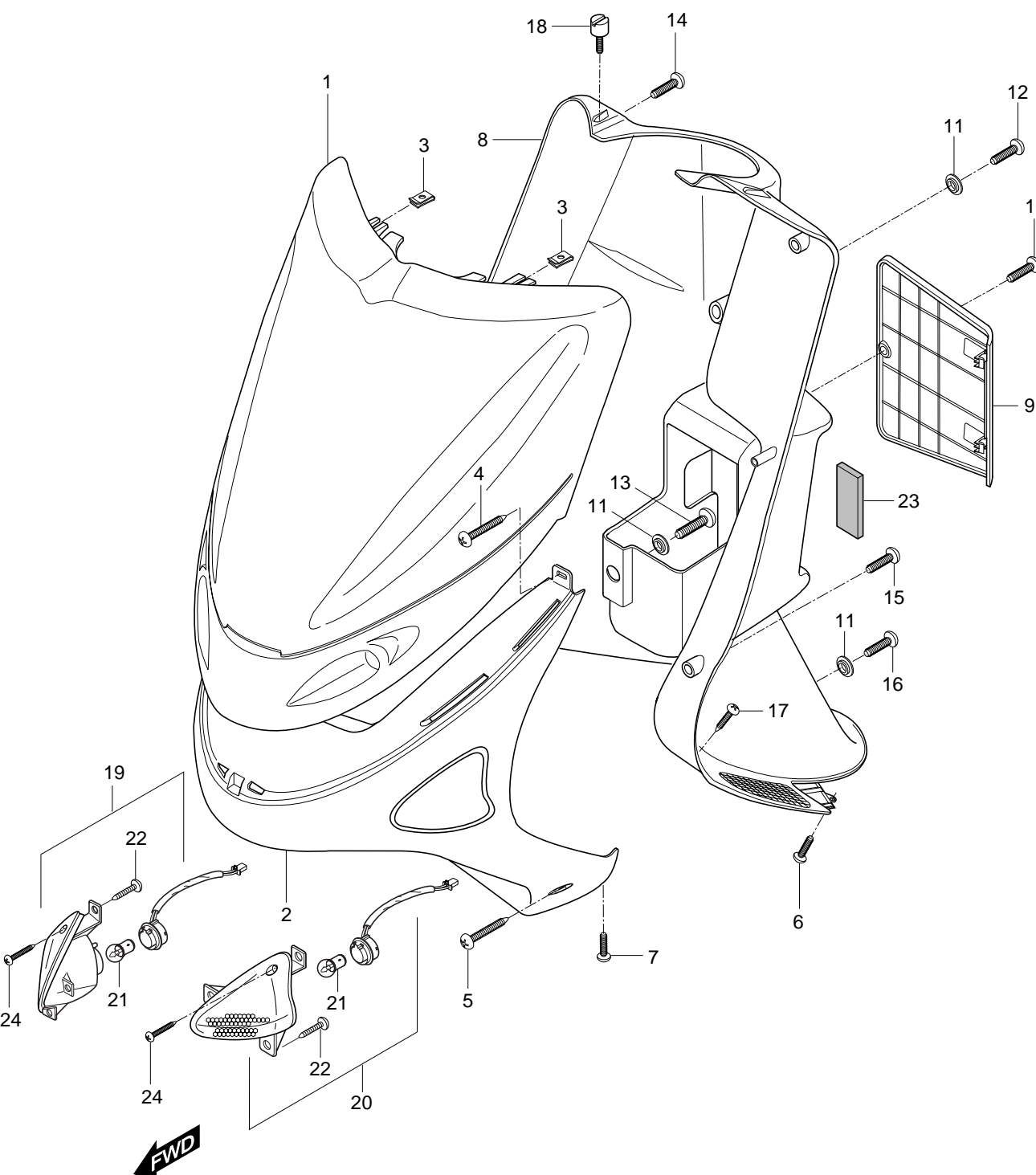


## FIG 26. SIDE COVER

REF. PARTS NO.		DESCRIPTION	Q'TY	REMARKS	REC.Q'TY (PCS)
NO.	RUSO1 RCA01				
1	47111HF1600	47111HF1600	1	SIDE COVER, R(CDB,CPR,CMY,CSS)	5
2	47211HF1600	47211HF1600	1	SIDE COVER, L(CDB,CPR,CMY,CSS)	5
3	09148-05020	09148-05020	2	NUT,SIDE COVER FRONT & LEG SIDE	5
4	09148-05020	09148-05020	2	NUT,SIDE COVER REAR & CENTER	5
5	47510HF1600	47510HF1600	1	GRIP COMP,HANDLE LH	5
6	01517-06205	01517-06205	2	BOLT,HANDLE LH	5
7	03241-05125	03241-05125	6	SCREW,FRAME UPPER(5*12)	5
8	92211H11200	92211H11200	1	COVER,HELMET	20
9	92221H11201	92221H11201	1	GUIDE,HELMET COVER R	5
10	92321H11201	92321H11201	1	GUIDE,HELMET COVER L	5
11	68134HF16100LD	68134HF16100LD	1	TAPE,SIDE COVER R	10
12	68136HF16100LD	68136HF16100LD	1	TAPE,SIDE COVER L	10
13	68130HF1600	68130HF1600	1	EMBLEM,SIDE COVER R	5



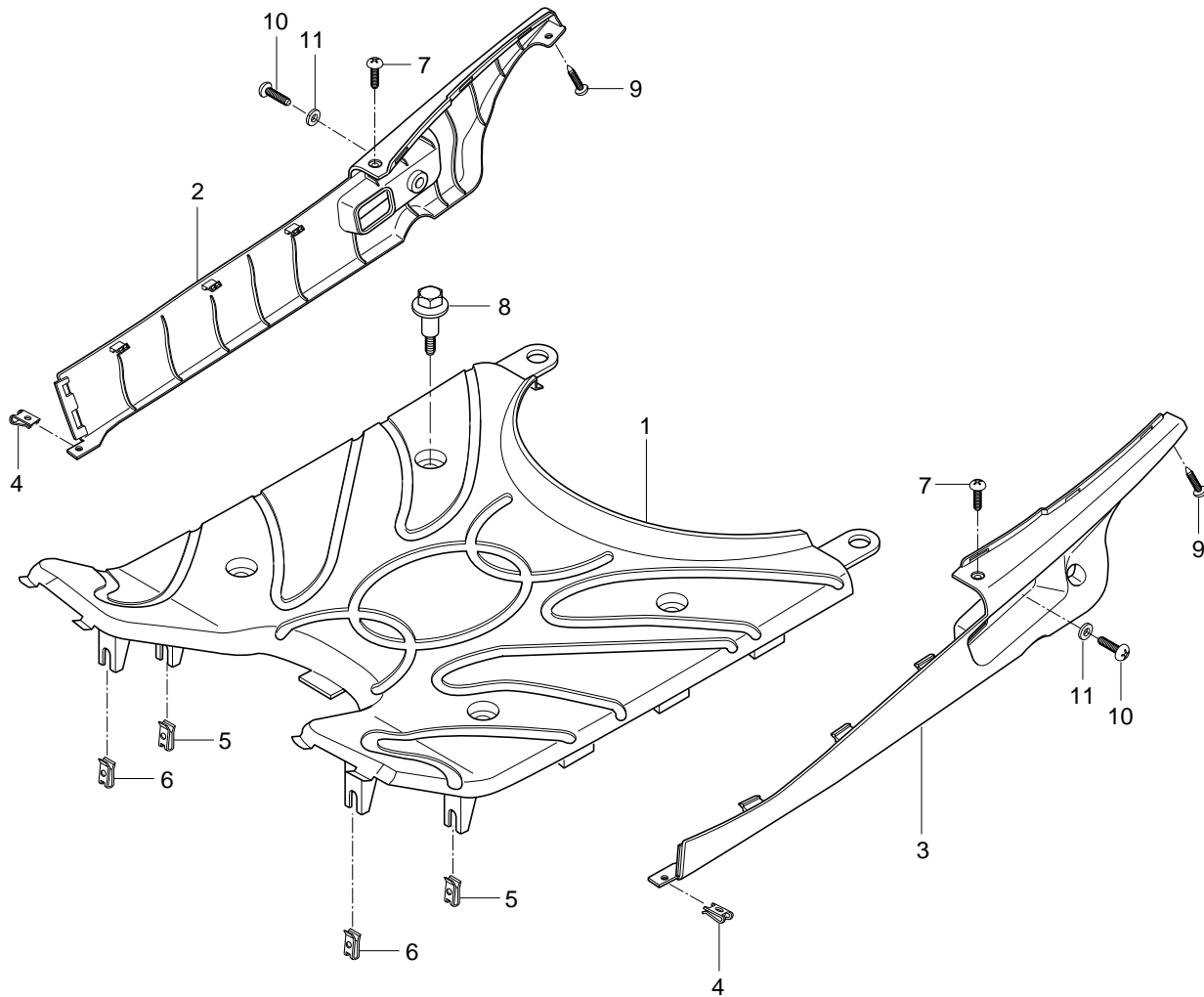
FIG.27



## FIG 27. FRONT LEG SHIELD

REF. PARTS NO.		DESCRIPTION	Q`TY	REMARKS	REC.Q`TY
NO.	RUSO1	RCA01			(PCS)
1	48111HE3100	48111HE3100	1	LEG SHIELD,front(CPR,CMY,CDB,CSS)	5
2	48137HF3400	48137HF3400	1	LEG SHIELD,lower	5
3	09148-04024	09148-04024	1	NUT, leg shield front & cover	5
4	03241-05165	03241-05165	1	SCREW, leg shield front & cover(5X16)	5
5	03241-04256	03241-04256	1	SCREW, leg shield front & cover(4X25)	5
6	03241-05165	03241-05165	1	SCREW, leg shield cover & rear (5X16)	5
7	03241-04168	03241-04168	1	SCREW, leg shield lower & side (4X16)	5
8	92111HE3100	92111HE3100	1	COVER, leg shield	5
9	92112HE3100	92112HE3100	1	COVER, battery	5
10	02112-05125	02112-05125	1	SCREW, battery cover(5X12)	5
11	09169-06034	09169-06034	3	WASHER, leg shield cover	15
12	02142-06165	02142-06165	1	SCREW, leg shield cover (6X16)	5
13	02142-06125	02142-06125	1	SCREW, leg shield cover (6X12)	5
14	03241-05165	03241-05165	2	SCREW, leg cover & F/T lower(5X16)	10
15	03241-05165	03241-05165	2	SCREW, leg cover & lower upper(5X16)	10
16	02142-06125	02142-06125	1	SCREW, leg cover & lower lower(6X12)	5
17	03241-05165	03241-05165	2	SCREW, leg cover & lower lower	10
18	92510HF1601	92510HF1601	2	KNOB COMP, cover leg shield	10
19	35601HF1620	35601HF1620	1	LAMP ASS'Y, front turinsignal R	5
20	35602HF1620	35602HF1620	1	LAMP ASS'Y, front turinsignal L	5
21	09471-12045	09471-12045	2	BULE, front turnsignal (12V P21W)	10
22	03241-05128	03241-05128	6	SCREW, front turnsignal lamp	30
23	33651H11200	33651H11200	1	CUSHION,battery	5
24	03211-04166	03211-04166	2	SCREW, turnsignal lens	10

FIG.28



## FIG 28. REAR LEG SHIELD

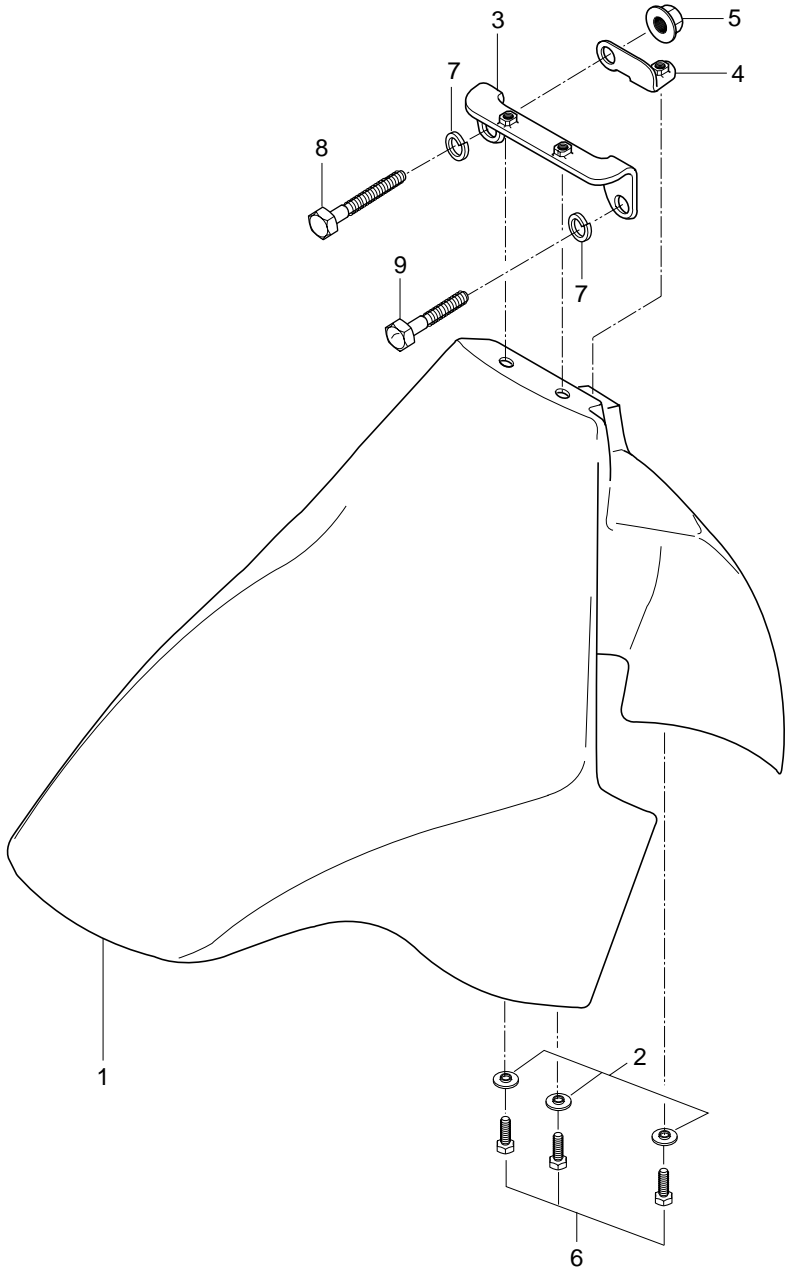
REF. PARTS NO.		DESCRIPTION	Q`TY	REMARKS	REC.Q`TY (PCS)
NO.	RUSO1 RCA01				
1	48121HF1601	48121HF1601	1		5
2	48285HF1600	48285HF1600	1		10
3	48286HF1601	48286HF1601	1		10
4	09148-04024	09148-04024	2		10
5	09148-04024	09148-04024	2		10
6	09148-05020	09148-05020	2		10
7	02142-06125	02142-06125	2		5
8	09111H06E06	09111H06E06	4		5
9	03241-05165	03241-05165	2		10
10	02142-06125	02142-06125	2		20
11	09169-06034	09169-06034	2		20



# FIG 29. FRONT FORK

REF. PARTS NO.	DESCRIPTION		Q`TY	REMARKS	REC.Q`TY
NO. RUSO1	RCA01				(PCS)
0	51100HB1300HPA	51100HB1300HPA	1	FORK ASS'Y, front	5
1	51210HB1300	51210HB1300	1	BOTTOM CASE COMP, R	5
2	51220HB1300	51220HB1300	1	BOTTOM CASE COMP, L	5
3	51111H11A00	51111H11A00	2	FORK, pipe	10
4	51400HB1100	51400HB1100	1	STEM, front fork steering	5
5	51211H11A01	51211H11A01	1	UNDER BRACKET ASS'Y	5
6	51351H11A00	51351H11A00	2	FORK BOLT	10
7	51181H11A00	51181H11A00	2	O-RING, fork bolt	10
8	51171H11A00	51171H11A00	2	SPRING	10
9	51196H11A00	51196H11A00	2	PISTON RING	10
10	51177H11A00	51177H11A00	2	REBOUND SPRING	10
11	51146H11A00	51146H11A00	2	PIPE SEAT	10
12	36618-02100	36618-02100	1	COVER, steering stem lock	5
13	51632-02400	51632-02400	1	NUT, steering stem lock(M25)	5
14	09166-26001	09166-26001	1	WASHER, steering stem lock	5
15	51631-28000	51631-28000	1	NUT, steering stem	5
16	51643-25001	51643-25001	1	DUST SEAL, steering upper	5
17	51621-28000	51621-28000	1	RACE, steering outer upper	5
18	06111-06004	06111-06004	47	BALL, steering stem	235
19	51611-20002	51611-20002	1	RACE, steering inner upper	5
20	51612-04000	51612-04000	1	RACE, steering inner lower	5
21	01174-06168	01174-06168	1	BOLT, brake hose clamp	5
22	59268H11A00	59268H11A00	1	CLAMP, brake hose	5
23	01174-06168	01174-06168	1	BOLT, speedmeter cable guide	5
24	51418H11A00	51418H11A00	1	GUIDE, speedmeter cable	5
25	51148H11A00	51148H11A00	2	PACKING	10
26	51147H11A00	51147H11A00	2	SOCKET, bolt	10
27	51173H11A00	51173H11A00	2	DUST BOOT	10
28	51156H11A00	51156H11A00	2	STOPPER RING,oil seal	10
29	51153H11A00	51153H11A00	2	OIL SEAL,front fork	10
30	51622-04000	51622-04000	1	RACE, steering outer lower	5

FIG.30

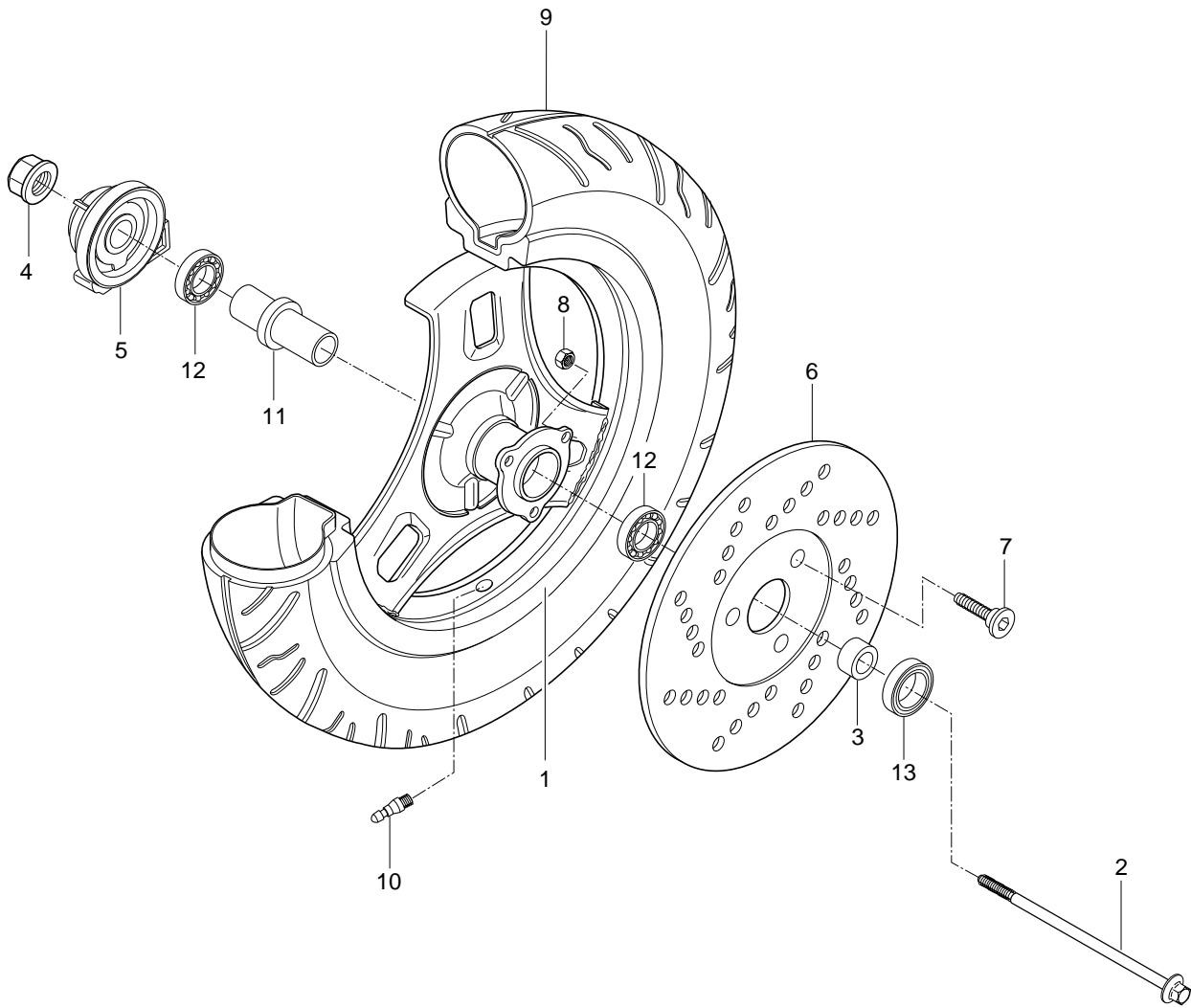


## FIG 30. FRONT FENDER

REF. PARTS NO.		DESCRIPTION	Q`TY	REMARKS	REC.Q`TY
NO.	RUSO1				RCA01
1	53111HG1700	53111HG1700	FENDER,front(0DB,0MY,0PR,0SS)	1	5
2	09169-06034	09169-06034	WASHER, front fender	3	15
3	53121H11A00	53121H11A00	PLATE,front fender	1	5
4	53122H11A20	53122H11A20	PLATE,front fender rear	1	5
5	08316-16088	08316-16088	NUT, front fender plate(8)	1	5
6	01104-06168	01104-06168	BOLT(6X16)	3	15
7	08321-31086	08321-31086	WASHER	2	10
8	09100H08001	09100H08001	BOLT, front fender plate(8X50)	1	5
9	09100H08260	09100H08260	BOLT, front fender plate(8X32)	1	5



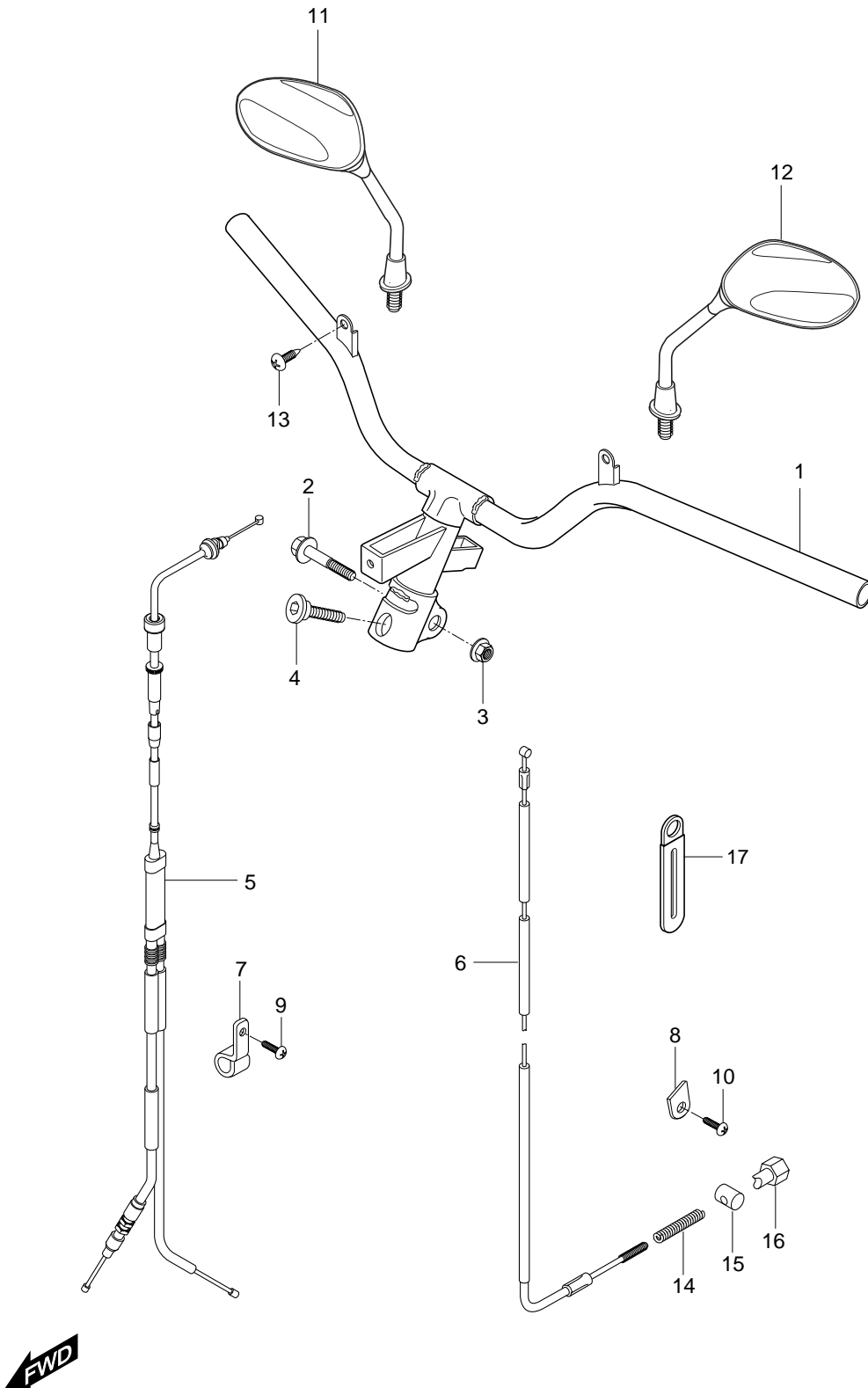
FIG.31



# FIG 31. FRONT WHEEL

REF. PARTS NO.		DESCRIPTION	Q`TY	REMARKS	REC.Q`TY
NO.	RUSO1				RCA01
1	54140H41D00	54140H41D00	WHEEL, front(2.15X10DC)	1	5
2	54711H11A00	54711H11A00	AXLE, front	1	10
3	54741-29C00	54741-29C00	SPACER, axle LH	1	5
4	08319-31108	08319-31108	NUT, (M10)	1	5
5	54600-28B00	54600-28B00	BOX ASS'Y, speedometer gear	1	5
6	59211-29C10	59211-29C10	DISK, front brake	1	5
7	59421-03A01	59421-03A01	BOLT, front disk	3	5
8	08319-21088	08319-21088	NUT(M8)	3	5
9	55109-41D11	55109-41D11	TIRE COMP, front	1	5
10	55220-41D10	55220-41D10	VALVE ASS'Y	1	15
11	54730-41D00	54730-41D00	SPACER, wheel bearing	1	15
12	08123-62007	08123-62007	BEARING, front wheel	2	5
13	09285-16002	09285-16002	DUST SEAL, front hub bearing L	1	5

FIG.32

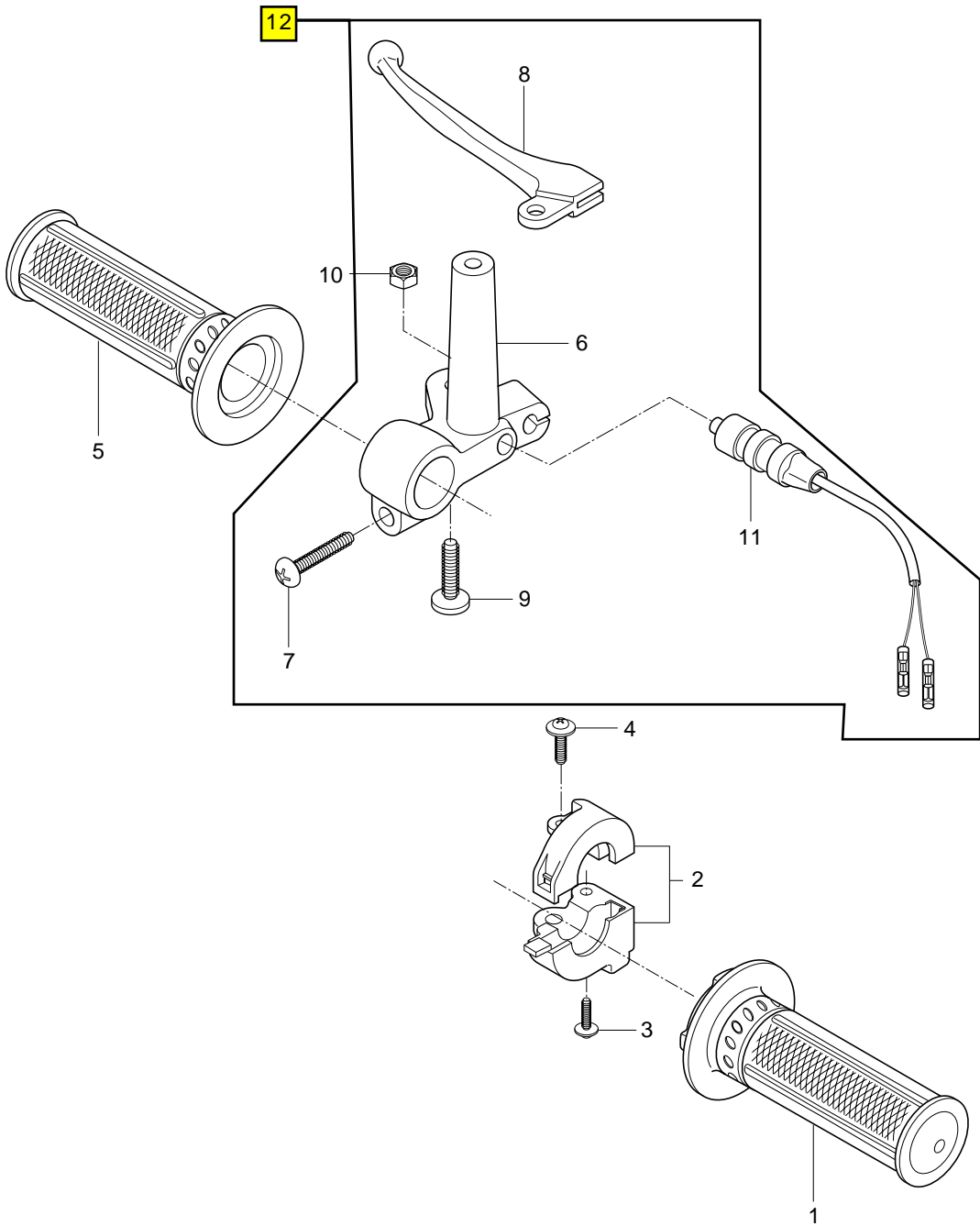


## FIG 32. HANDLE BAR

REF. PARTS NO.		DESCRIPTION	Q'TY	REMARKS	REC.Q'TY (PCS)
NO.	RUSO1 RCA01				
1	56110HF1601	56110HF1601	HANDLE BAR COMP	1	5
2	09103-10055	09103-10055	BOLT, handle bar(10X40)	1	5
3	08319-31108	08319-31108	NUT, handle bar	1	5
4	56123-29C00	56123-29C00	BOLT, handle bar(8X30)	1	5
5	58300HF1600	58300HF1600	CABLE ASS'Y, throttle	1	5
6	58510H11A00	58510H11A00	CABLE COMP, rear brake	1	5
7	09403-09301	09403-09301	GUIDE, cable	1	5
8	58591H11A00	58591H11A00	PLATE, rear brake cable	1	5
9	01134-06208	01134-06208	BOLT, rear brake cable plate(6×20)	1	5
10	01134-06128	01134-06128	BOLT, cable guide	1	5
11	56500HF1602	56500HF1602	MIRROR ASS'Y, rear view R	1	5
12	56600HF1602	56600HF1602	MIRROR ASS'Y, rear view L	1	5
13	03241-05165	03241-05165	SCREW(5X16)	2	10
14	09440H06013	09440H06013	SPRING	1	5
15	09209H11005	09209H11005	LEVER PIN	4	20
16	09150-01501	09150-01501	ADJUST NUT, rear brake	1	5
17	09404-06401	09404-06401	CLAMP, throttle cable	1	5
18	56501HF1602	56501HF1602	MIRROR SET	1	

FIG.33

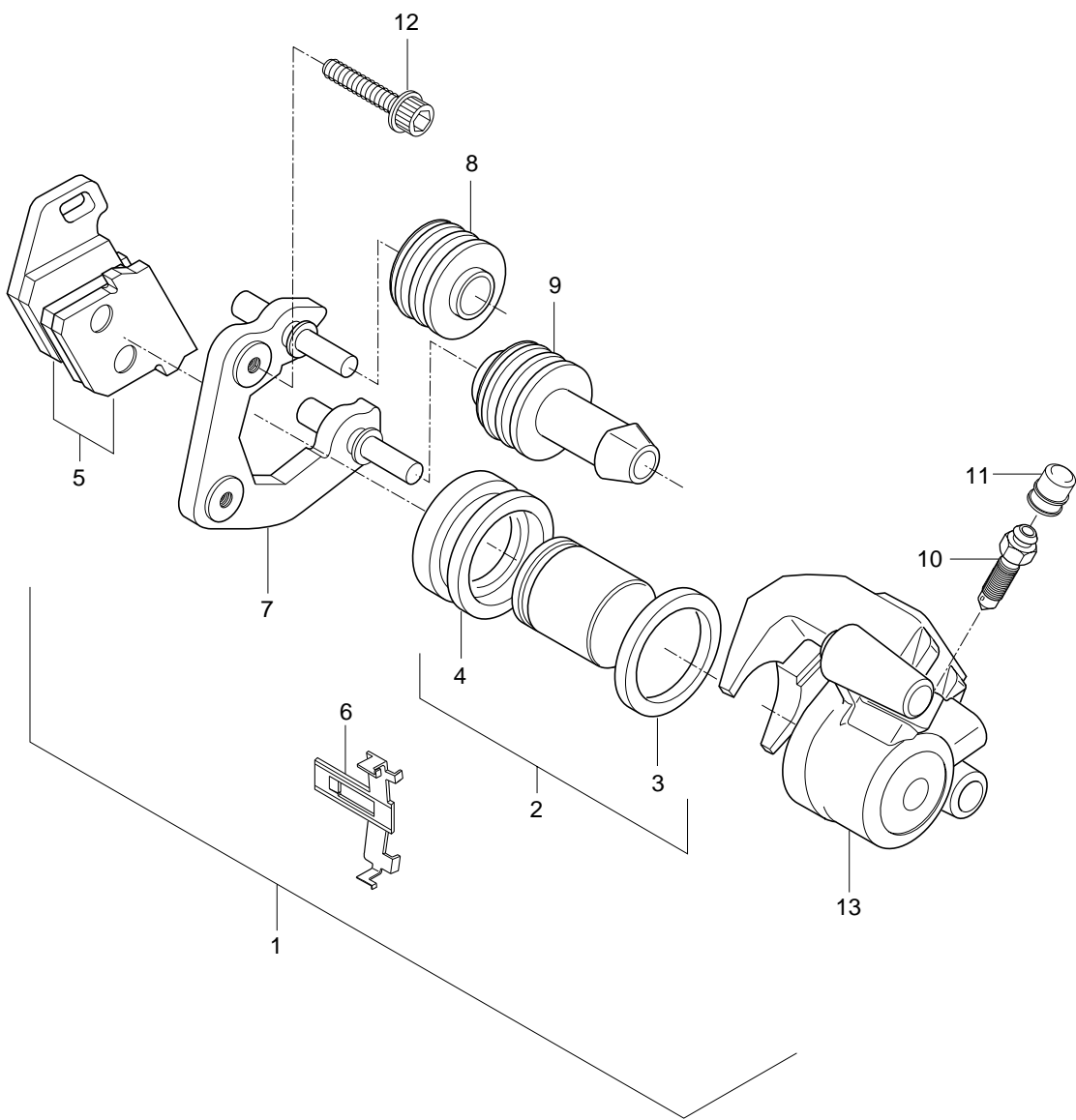
FWD



## FIG 33. HANDLE SWITCH

REF. PARTS NO.		DESCRIPTION	Q`TY	REMARKS	REC.Q`TY
NO.	RUSO1				RCA01
1	57110HE7101	57110HE7101	GRIP COMP, throttle	1	5
2	57100-29C00	57100-29C00	CASE ASS'Y, throttle	1	5
3	02112-05028	02112-05028	SCREW, throttle case(5X20)	1	5
4	09136-05040	09136-05040	SCREW, throttle case(5X16)	1	5
5	57211HE7101	57211HE7101	GRIP, L	1	5
6	57511HE7101	57511HE7101	HOLDER, brake lever	1	5
7	02112-06028	02112-06028	SCREW, holder(6X20)	1	5
8	57421-03A11	57421-03A11	LEVER, brake	1	5
9	57431-13010	57431-13010	SCREW,brake lever pivot(5X25)	1	5
10	08319-21065	08319-21065	NUT, brake lever pivot	1	5
11	57460-17C00	57460-17C00	SWITCH ASS'Y, stop lamp	1	5
12	57500HE7101	57500HE7101	BRAKE LEVER REAR & SWITCH ASS'Y	1	5

FIG.34

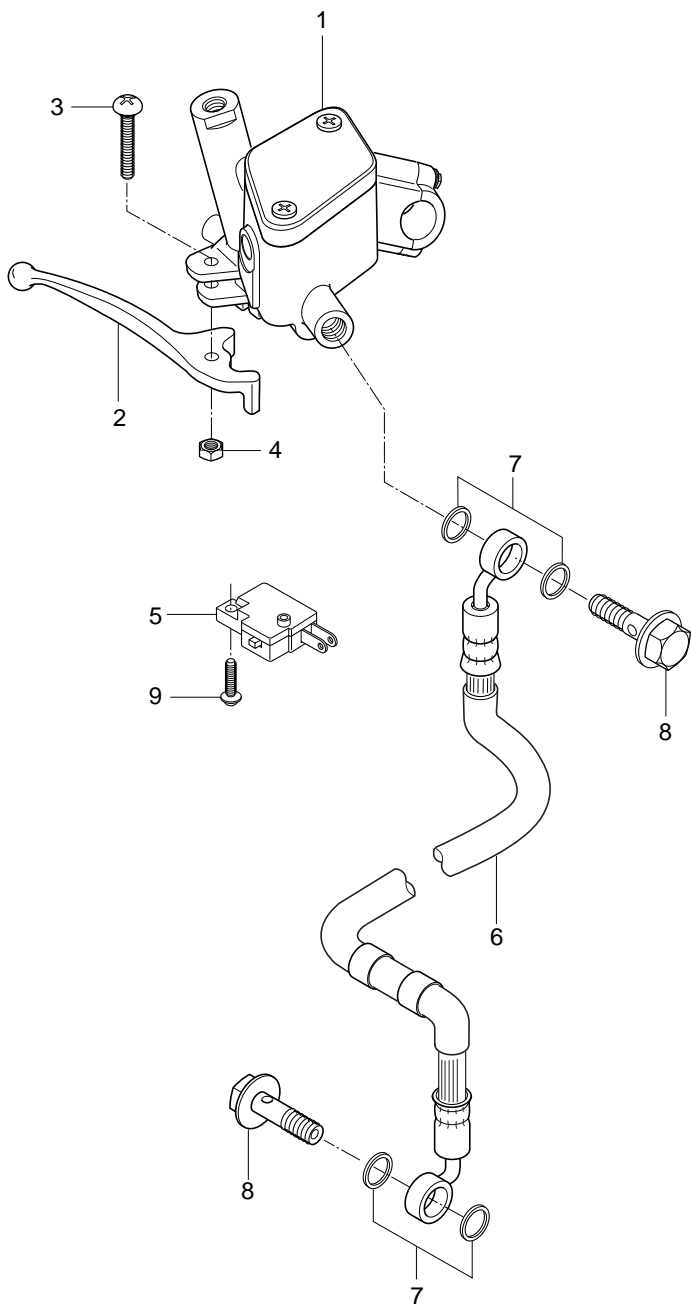


## FIG 34. CALIPER

REF. PARTS NO.		DESCRIPTION	Q`TY	REMARKS	REC.Q`TY (PCS)
NO.	RUSO1				
1	59300-03A3090U	59300-03A3090U	CALIPER ASS'Y	1	5
2	59300-03810	59300-03810	PISTON SET	1	5
3	59170-03A00	59170-03A00	SEAL	1	5
4	59308-03A00	59308-03A00	BOOT	1	5
5	59300-03860	59300-03860	PAD SET.caliper	1	5
6	59315-36500	59315-36500	SPRING	1	5
7	59313-36A00	59313-36A00	CARRIER, LH	1	5
8	59312-36500	59312-36500	BOOT	1	5
9	59313-36500	59313-36500	INSULATOR	1	5
10	59121-18410	59121-18410	BLEEDER	1	5
11	59122H18420	59122H18420	CAP	1	5
12	07120-08208	07120-08208	BOLT,caliper	2	10
13	59360-03A30	59360-03A30	HOUSING, caliper	1	5



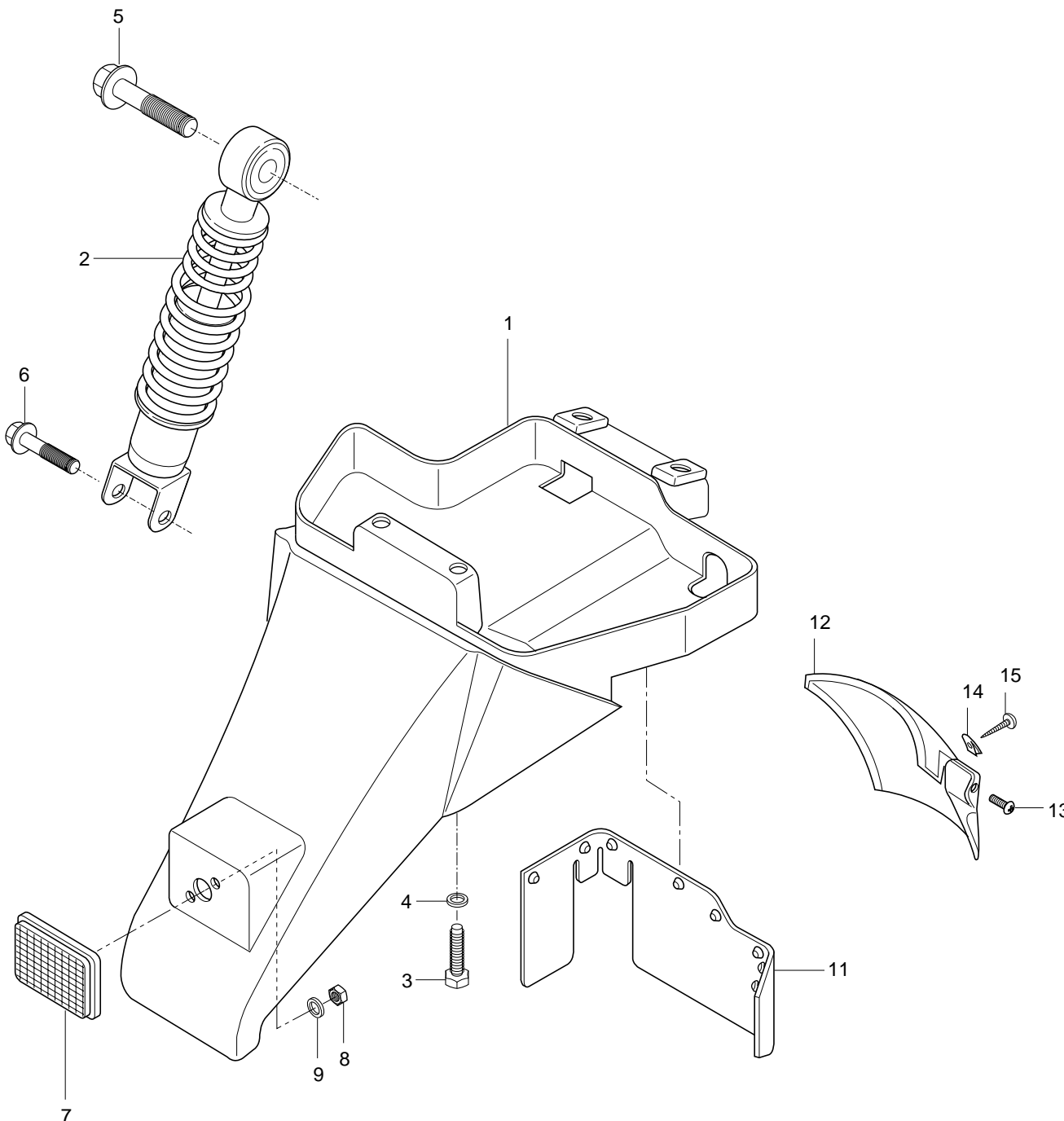
FIG.35



## FIG 35. FRONT MASTER CYLINDER

REF. PARTS NO.		DESCRIPTION	Q`TY	REMARKS	REC.Q`TY
NO.	RUSO1				RCA01
1	59600HE7102	59600HE7102	CYLINDER SET, front master	1	5
2	57300-29C10	57300-29C10	LEVER, brake	1	5
3	57431-13010	57431-13010	SCREW, brake lever pivot	1	5
4	08319-21065	08319-21065	NUT(6)	1	5
5	57460-17C00	57460-17C00	SWITCH ASS'Y, stop	1	5
6	59480H11A03	59480H11A03	HOSE COMP, front brake	1	5
7	09161-10005	09161-10005	WASHER(10X15X1.5)	4	20
8	09360-10039	09360-10039	BOLT, brake fluid(10×22)	2	10
9	02112-74108	02112-74108	SCREW(4×10)	1	5

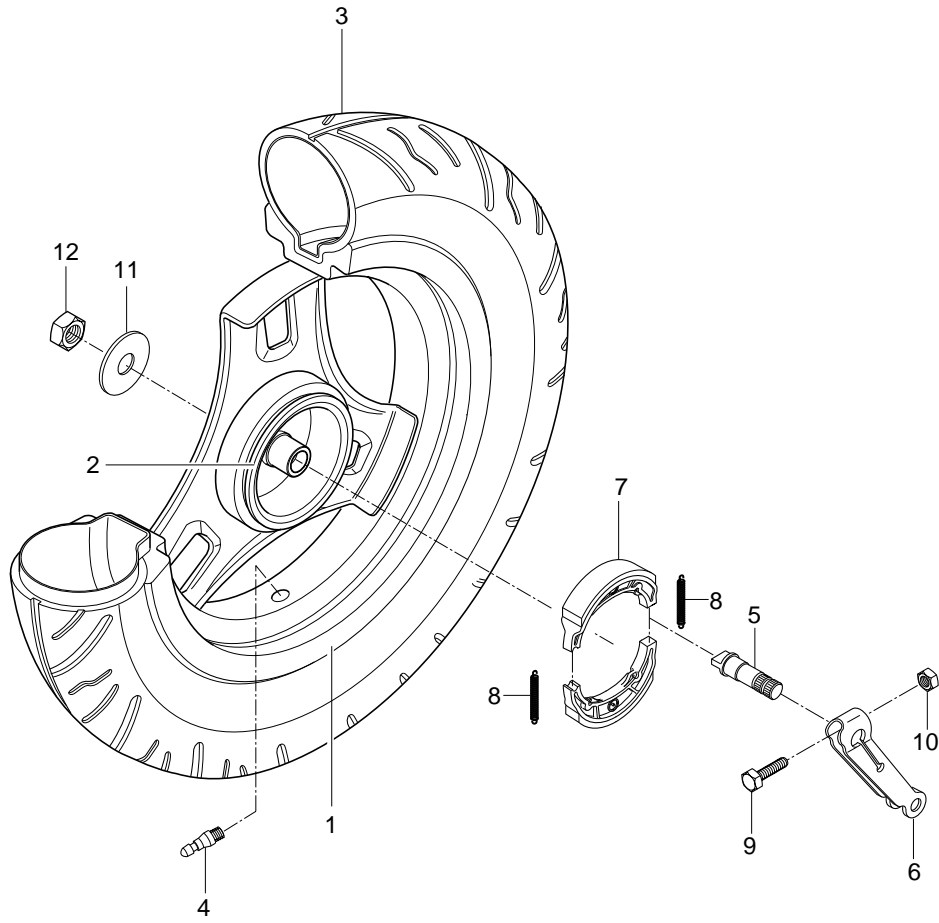
FIG.36



## FIG 36. REAR FENDER

REF. PARTS NO.		DESCRIPTION	Q`TY	REMARKS	REC.Q`TY
NO.	RUSO1				RCA01
1	63111HF1601	63111HF1601	1	REAR FENDER, rear	5
2	62100HR3402	62100HR3402	1	SHOCK ABSORBER, rear	5
3	01104-06168	01104-06168	4	BOLT, rear fender rear(M6X16)	20
4	09169-06034	09169-06034	4	WASHER	20
5	63112H11200	63112H11200	1	REAR FENDER, front	5
6	09103-10019	09103-10019	1	SCREW(M6X16)	5
7	09148-04024	09148-04024	1	SCREW(M4X16)	5
8	09148-04024	09148-04024	1	NUT(M4)	5
9	61181-02C00	61181-02C00	1	BOLT,upper	5
10	09103-10019	09103-10019	1	BOLT,lower	5

FIG.37



## FIG 37. REAR WHEEL

REF. PARTS NO. NO. RUSO1	RCA01	DESCRIPTION	Q`TY	REMARKS	REC.Q`TY (PCS)
1	64140H11220	64140H11220	1	WHEEL COMP,rear(2.50*10DC)	5
2	64123H11A00	64123H11A00	1	RUBBER, brake drum	5
3	08319-21168	08319-21168	1	TIRE SET,rear(3.50-10)	5
4	55109-41D11	55109-41D11	1	VLAVE ASSY,wheel rim	5
5	55220-41D10	55220-41D10	1	CAM,rear brake	5
6	64451-02111	64451-02111	1	LEVER,rear brake cam	5
7	64400HG2600	64400HG2600	1	SHOE SET,rear brake	10
8	09443H08025	09443H08025	2	SPRING, brake shoe	10
9	12812-30A00	12812-30A00	1	BOLT,rear brake lever(6*34)	5
10	08316-16068	08316-16068	1	NUT,rear brake cam lever (6)	5
11	09160-16025	09160-16025	1	WASHER,rear AXLE	5