

JIANGMEN GIANTCO MOTORCYCLE CO., LTD.



VENUS

PARTS CATALOGUE

小龟零件目录

DOC INDEX: PC-HY50QT-6e (VERSION: 3.8)

PREPARED BY: LHY, Chirs

CHECKED BY: LHY, Chris

DATE OF ISSUE: 13 December 2007

INSTRUCTION

- This catalogue was prepared based on the latest information available as of December 2007
- Always specify the part number when ordering.
- Check the model, type, serial numbers, color, and size as needed before ordering.
- Note that the illustrations (parts drawings) can differ from the actual parts in shape.
- When modification or additions to this parts catalogue are made, a revised edition will be issued at an appropriate time. We recommend obtaining such revisions in order to keep your parts catalogue up-to-date at all times. To check whether a parts catalogue has been issued, please contact your distributor.
- The parts shown in this catalogue are the lowest denominator. Please note certain parts need to be ordered as a group.

Issue date December 2007

All rights reserved JIANGMEN GIANTCO MOTORCYCLE Co., LTD.

Abbreviations used in the Parts Catalogue

The following abbreviations are used in this parts catalogue.

- ASSY Asser
- COMP.....Compl
- R.....Right
- L.....Left
- FR.....Front
- RR.....Rear
- STD.....Stand
- MM.....Millim
- EX.....Exhaust
- V.....Volt
- W.....Watt
- A.....Ampere
- A.C. Alternating Current
- D.C. Direct Current
- C.D.I. Capacitive Discharge Ignition
- CC Catalytic Convertor

Contents

Index	Parts name		Page No.
01	Front Wheel	前轮	5
02	Rear Wheel	后轮	6
03	Front Fork	方向柱	7
04	Rear Shock Absorber / Main Stand Assy	后减震/主支架	8
05	Harness Wire Assy	主电缆	9
06	Electrical Assy	电器件	10
07-1	Headlight Assy	前大灯总成	11
07-2	Headlight Assy (Venus II)	前大灯总成(三代)	12
08	Cover, Speedometer	仪表罩	13
09	Operating System Assy	操作系统总成	14
10	Front Disc Brake Assy	前制动总成	16
11-1	Front Cover	前面板	17
11-2	Front Cover (Venus II)	前面板(三代)	18
12	Front Fender	前挡泥板	19
13	Speedometer	仪表	20
14	Seat / Storage Box	座垫/置物箱	21
15-1	Direction Lamp, FR	前转向灯总成	22
15-2	Direction Lamp, FR (Venus II)	前转向灯总成(三代)	23
16	Side Cover	侧车体盖	24
17	Rear Cover	后车体盖	25
18	Fender, RR	后挡泥板	26
19-1	Rear Lamp / Direction Lamp, RR	后尾灯总成/后转向灯	27
19-2	Rear Lamp / Direction Lamp, RR (Venus II)	后尾灯总成/后转向灯(三代)	28
20	Fuel Tank	油箱	29

Index	Parts name		Page No.
21	Main Frame / Frame Parts	车架/铁件	30
22	Air Filter	空滤器总成	31
23	Exhaust (Steel) Assy	普通消声器总成	32
24	Bottom Cover	底板	33
25	Tools Set / Others	随车工具/说明书	34
26	Rear Storage Box	小尾箱	35
27	Wind Shield	挡风玻璃	36
28	Sticker	贴花	37

注意/NOTICE:

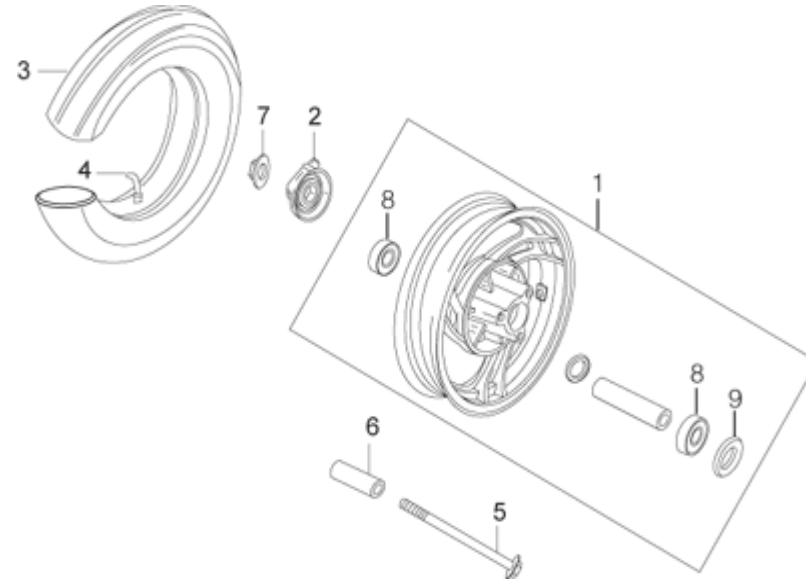
本目录螺栓/螺母编号后：“S”表示镀军绿；“A”表示镀白锌；“CA”表示镀彩锌；“F”表示镀铬。

Regarding the finishing on all "Nuts & Bolts": "S" represents Dark Green; "A" represents Zinc; "CA" represents Color Zinc; "F" represents Chrome.

VENUS

01 Front Wheel (Aluminium)

前铝轮

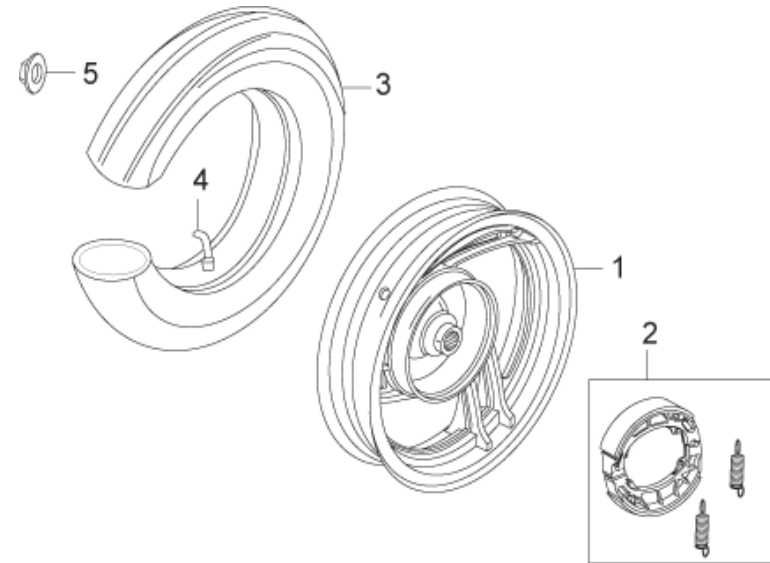


Item	Parts no.	Description	Chinese	Qty	Unit	Remark
1	MC-C040100B	Rim, FR 2.15*10, (Aluminium)	前铝轮圈 (MT2.15*10)	1	pcs	
2	GW-C0304	Box Assy, Speedometer Gear	转速齿	1	pcs	
3	MC-C040900C	Tubeless Tyre (3.50-10)	真空胎 (3.50-10)	1	pcs	
4	MC-C041000	Jet, Tyre (With Cover)	气门嘴(含气门嘴盖)	1	pcs	
5	G5787-M10*1.25*195A	Bolt, M10*1.25*195	前轮轴M10*1.25*195	1	pcs	
6	Y-T440102A	Collar, $\phi 10*\phi 20*20.5$	轴套 $\phi 10*\phi 20*20.5$	1	pcs	
7	G6187-M10*1.25S	Nut, M10*1.25	六角法兰面自锁螺母M10*1.25	1	pcs	
8	MC-C040500B	Bearing, 6300-2RS	前轮轴承6300-2RS	2	pcs	
9	MC-C040004B	Oil Seal, $\phi 20*\phi 35*5$	油封 $\phi 20*\phi 35*5$	1	pcs	

VENUS

02 Rear Wheel (Aluminium)

后铝轮

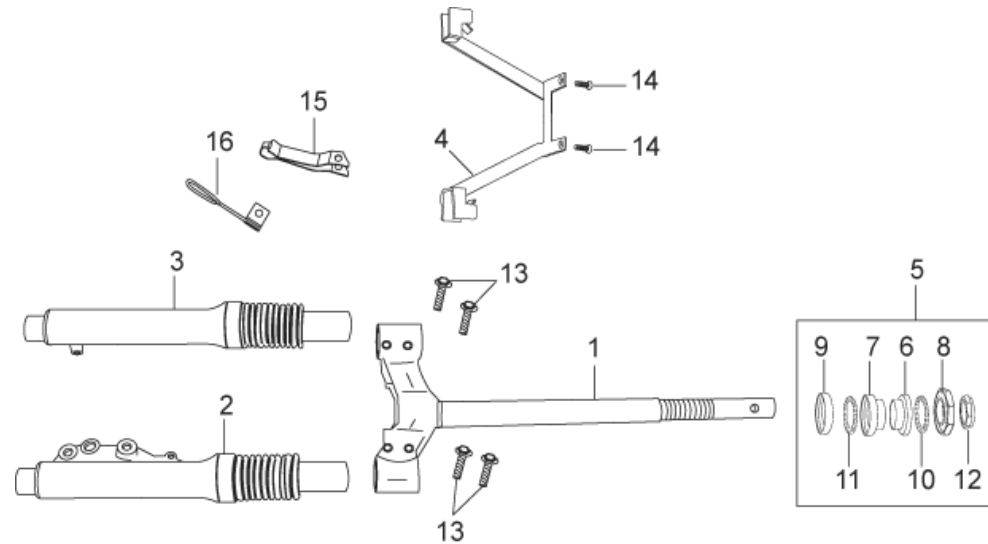


Item	Parts no.	Description	Chinese	Qty	Unit	Remark
1	MC-C050100B	Rim, RR, 2.15*10 (Aluminium)	后铝轮圈 (MT2.15*10)	1	pcs	
2	MC-C040300	Brake Shoe	后刹车蹄块组合	1	set	
3	MC-C040900C	Tubeless Tyre (3.50-10)	真空胎(3.50-10)	1	pcs	
4	MC-C041000	Jet, Tyre (With Cover)	气门嘴(含气门嘴盖)	1	pcs	
5	G6187-M16S	Nut, M16	六角法兰面螺母M16	1	pcs	

VENUS

03 Front Fork

方向柱

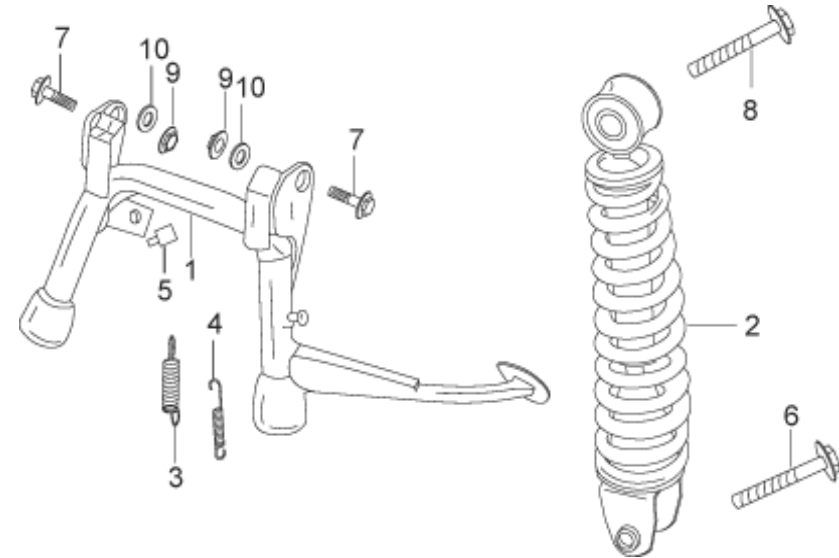


Item	Parts no.	Description	Chinese	Qty	Unit	Remark
1	GW-T05	Steering Stem	方向柱	1	pcs	
2	GW-C020101	Damper, L, FR	左前减震	1	pcs	
3	GW-C020102	Damper, R, FR	右前减震	1	pcs	
4	GW-T11	Frame, Fender	前泥板支架	1	pcs	
5	GW-C01	Race & Ball set	全套钢碗	1	pcs	
6	GW-C0101	Race, Steering Top Ball	上钢碗	1	pcs	
7	GW-C0102	Race, Steering Bottom Ball	下钢碗	1	pcs	
8	GW-C0103	Race, Steering Top Cone	上珠顶	1	pcs	
9	GW-C0104	Race, Steering Bottom Cone	下珠顶	1	pcs	
10	GW-C0105	Top Ball Set Steel	上钢珠	1	pcs	
11	GW-C0106	Bottom Ball Set Steel	下钢珠	1	pcs	
12	GW-C0107	Nut, Steering Stem M25*1	锁紧螺母M25*1	1	pcs	
13	G5787-M8*35S	Bolt, M8*35	六角法兰面螺栓M8*35	4	pcs	
14	G5787-M6*12S	Bolt, M6*12	六角法兰面螺栓M6*12	4	pcs	
15	GW-T19	Clip, Brake Tube	碟刹油管夹	1	pcs	
16	GW-T20	Clip, Speedometer Cable	里程线夹	1	pcs	

VENUS

04 Rear Shock Absorber / Main Stand Assy

后减震/主支架

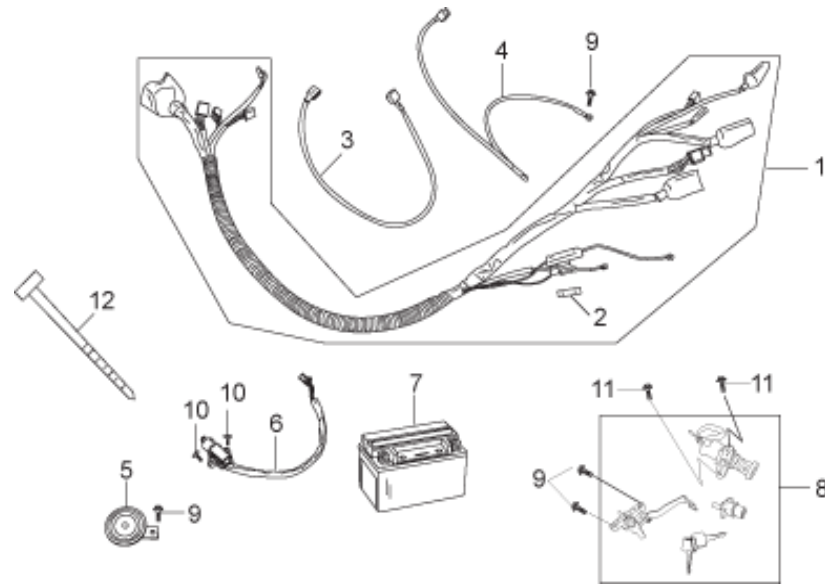


Item	Parts no.	Description	Chinese	Qty	Unit	Remark
1	GW-T02	Main Stand	主支架	1	pcs	
2	GW-C0202	Cushion Assy, RR	后减震	1	pcs	
3	GW-C060101	Spring, Outer, Main Stand	主支架外弹簧	1	pcs	
4	GW-C060102	Spring, Inner, Main Stand	主支架内弹簧	1	pcs	
5	GW-X03	Stopper, Main Stand	主支架缓冲胶	1	pcs	
6	G5787-M8*32S	Bolt, M8*32	六角法兰面螺栓M8*32	1	pcs	
7	G5787-M10*1.25*45S	Bolt, M10*1.25*45	六角法兰面螺栓M10*1.25*45	2	pcs	
8	G5787-M10*1.25*40S	Bolt, M10*1.25*40	六角法兰面螺栓M10*1.25*40	1	pcs	
9	G6187-M10*1.25S	Nut, M10*1.25	六角法兰面自锁螺母M10*1.25	2	pcs	
10	HY50QT4-T020002	Collar, Main Stand	主支架衬套	2	pcs	

VENUS

05 Harness Wire Assy

主电缆



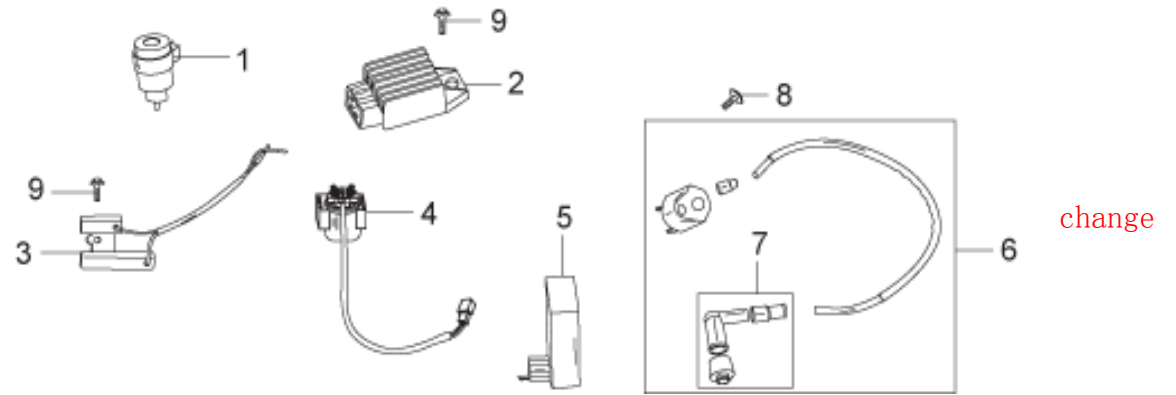
change

Item	Parts no.	Description	Chinese	Qty	Unit	Remark
1	GW-D0401	Harness, Wire (Without Water proof)	主电缆(不带边撑防水插)	1	pcs	
1.1	GW-D0401A	Harness, Wire (Side stand kill switch, water proof)	主电缆(边撑防水插)	1	pcs	
2	GW-D040101	Fuse	保险管	1	pcs	
3	GW-D0402	Wire, Positive	正极线	1	pcs	
4	GW-D0403	Wire, Negative	负极线	1	pcs	
5	MC-D030000	Horn	喇叭	1	pcs	
6	GW-D13	Switch, Prop Stand (Without Water proof)	边撑熄火开关(不带防水插)	1	pcs	
6.1	GW-D13A	Switch, Prop Stand (Water Proof)	边撑熄火开关(防水插)	1	pcs	
7	MC-F010000	Battery, 12V 5A/h	电池12V 5A/h	1	pcs	
7.1	MC-F010000A	Battery, 12V 7A/h	电池12V 7A/h	1	pcs	
8	GW-D03-1	Lock Set	套锁	1	set	
9	G5787-M6*12S	Bolt, M6*12	六角法兰面螺栓M6*12	4	pcs	
10	G9074.4-M5*20S	Bolt, M5*20	十字槽带平垫弹垫螺栓M5*20	2	pcs	
11	G818-M6*12S	Screw, M6*12	十字盘头螺钉M6*12	2	pcs	
12	MC-X000006	Tying Belt	扎带250mm	6	pcs	

VENUS

06 Electrical Assy

电器件

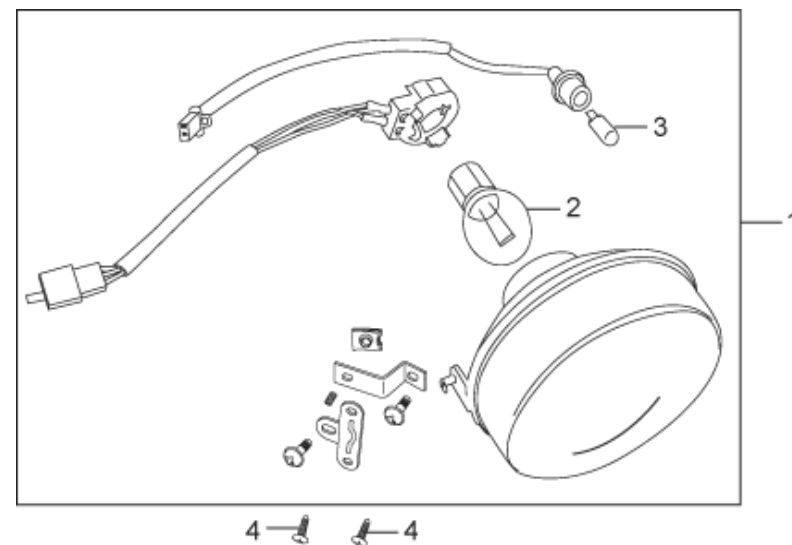


Item	Parts no.	Description	Chinese	Qty	Unit	Remark
1	HY50QT-D100500A	Relay, Winker	闪光器(单灯倍闪)	1	pcs	
2	HY50QT-D100300	Regulator	(半波)整流器	1	pcs	
3	HY50QT-D100700	Resistor	电阻器	1	pcs	
4	HY50QT-D100100	Relay, Starter	启动继电器	1	pcs	
5	HY50QT4-D100400	CDI (Unrestricted speed)	CDI (非限速)	1	pcs	
5.1	HY50QT4-D100400A	CDI (Restricted speed)	CDI (限速)	1	pcs	
6	HY50QT-D100200	Ignition Coil (Radio noise resistance wire)	高压包(阻尼线)	1	pcs	
6.1	HY50QT-D100200A	Ignition Coil (Copper wire)	高压包(铜芯线)	1	pcs	
6.2	HY50QT-D330000B	Larger Ignition Coil (Copper wire)	大高压包(铜芯线)	1	pcs	
7	HY50QT-D100203	Spark plug cap, Ignition Coil	高压包火花塞帽	1	pcs	含防尘套
7.1	HY50QT-D330300B	Spark plug cap, Larger Ignition Coil	大高压包火花塞帽	1	pcs	含防尘套
8	G5787-M6*20S	Bolt, M6*20	六角法兰面螺栓M6*20	1	pcs	
9	G5787-M6*12S	Bolt, M6*12	六角法兰面螺栓M6*12	2	pcs	

VENUS

07-1 Headlight Assy

前大灯总成

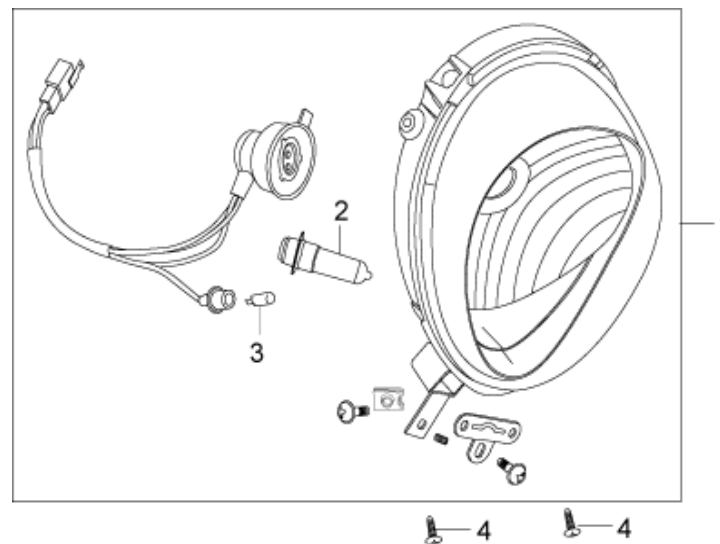


Item	Parts no.	Description	Chinese	Qty	Unit	Remark
1	GW-D1001	Headlight	前大灯总成(二代)	1	pcs	
2	GW-D1001-1	Bulb, Headlight	前大灯灯泡	1	pcs	
3	GW-D1001-3	Front Position Lamp	前位置灯灯泡	1	pcs	
4	G845-ST4.8*12S	Screw, ST4.8*12	自攻螺钉ST4.8*12	2	pcs	

VENUS II

07-2 Headlight Assy

前大灯总成 (三代)

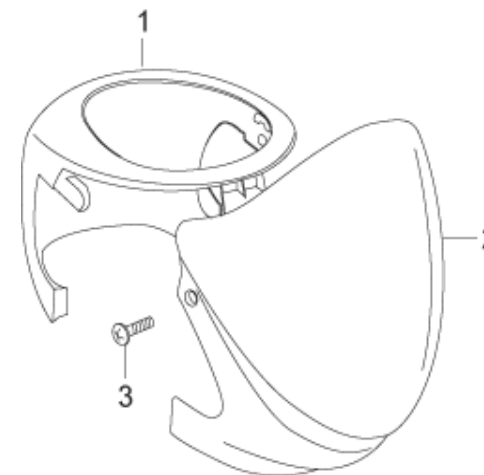


Item	Parts no.	Description	Chinese	Qty	Unit	Remark
1	GW-D1001A	Headlight Assy (Venus II)	前大灯总成(三代)	1	set	
2	GW-D1001-1	Bulb, Headlight	前大灯灯泡	1	pcs	
3	GW-D1001-3	Front Position Lamp	前位置灯灯泡	1	pcs	
4	G845-ST4.8*12S	Screw, ST4.8*12	自攻螺钉ST4.8*12	2	pcs	

VENUS

08 Cover, Speedometer

仪表罩

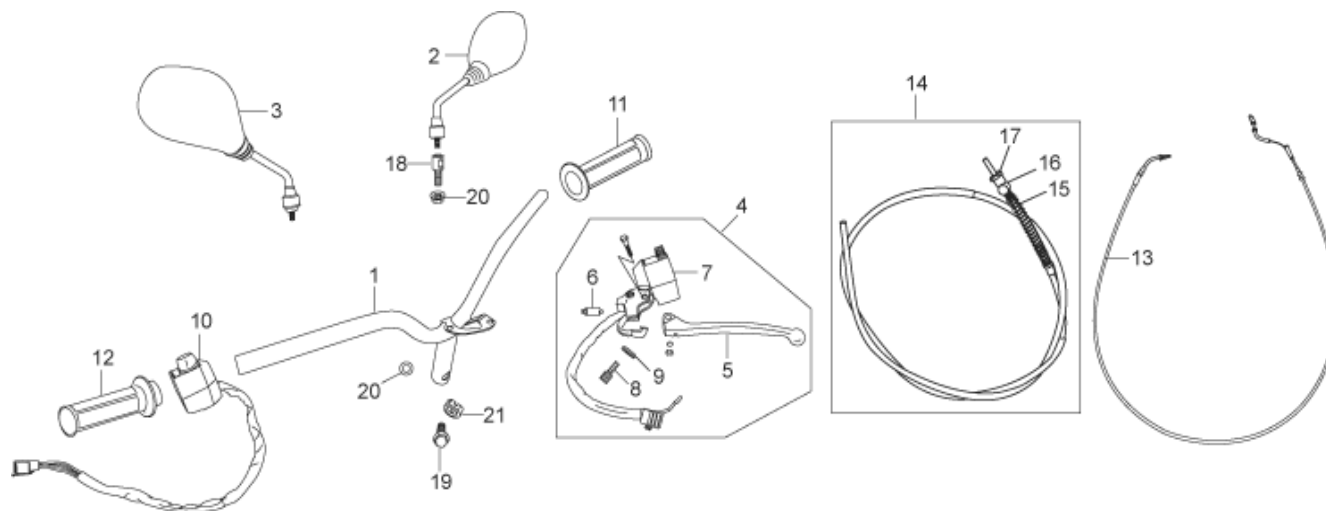


Item	Parts no.	Description	Chinese	Qty	Unit	Remark
1	GW-SA010801	Cover, Speedometer	仪表罩(三代)	1	pcs	通用
2	GW-SA010802	Cover, Speedometer, FR	仪表前罩(三代)	1	pcs	通用
3	G845-ST4.8*12S	Screw, ST4.8*12	自攻螺钉ST4.8*12	2	pcs	

VENUS

09-A Operating System Assy

操作系统总成

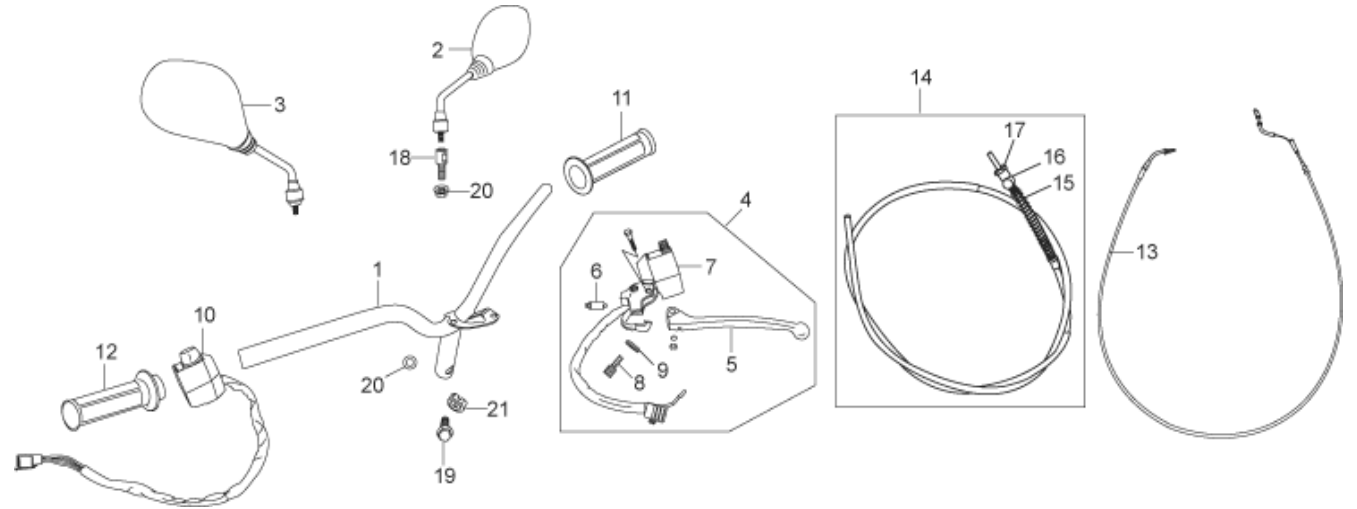


Item	Parts no.	Description	Chinese	Qty	Unit	Remark
1	GW-T08A	Handle Bar	方向把	1	pcs	
2	MC-F030100B	Mirror, L (Normal)	左后视镜(普通黑胶款)	1	pcs	
2.1	MC-F030100	Mirror, L (chrome, round)	左后视镜(电镀圆镜)	1	pcs	
3	MC-F030200B	Mirror, R (Normal)	右后视镜(普通黑胶款)	1	pcs	
3.1	MC-F030200	Mirror, R (chrome, round)	右后视镜(电镀圆镜)	1	pcs	
4	GW-D0901	Switch Assy, L	左手把开关总成	1	pcs	
5	GW-D0901-1	Lever, L	左手把开关摇臂	1	pcs	
6	GW-D0901-2	Brake Switch, RR	后刹车开关	1	pcs	
7	GW-D0901-3	Brake Switch, L	左手把开关组件	1	pcs	
8	GW-D0901-4	Adjustment, Cable, Brake RR	后刹车线调节器	1	pcs	
9	GW-D0901-5	Nut, Fix	调节器固定螺母	1	pcs	
10	GW-D0902	Switch Assy, R	右手把开关总成	1	pcs	
11	MC-X040100	Grip, Handle, L (Normal)	左手把套(普通款)	1	pcs	
11.1	MC-X040100C	Grip, Handle, L (Yellow)	左手把套(啡色)	1	pcs	
12	MC-X040200	Grip, Handle, R (Normal)	右手把套(普通款)	1	pcs	
12.1	MC-X040200C	Grip, Handle, R (Yellow)	右手把套(啡色)	1	pcs	
13	GW-C0502	Cable, Throttle	油门线	1	pcs	
14	GW-C0503	Cable, Brake RR	后刹车线	1	pcs	
15	HY50QT-C260001	Spring	后刹车线弹簧	1	pcs	

VENUS

09-B Operating System Assy

操作系统总成

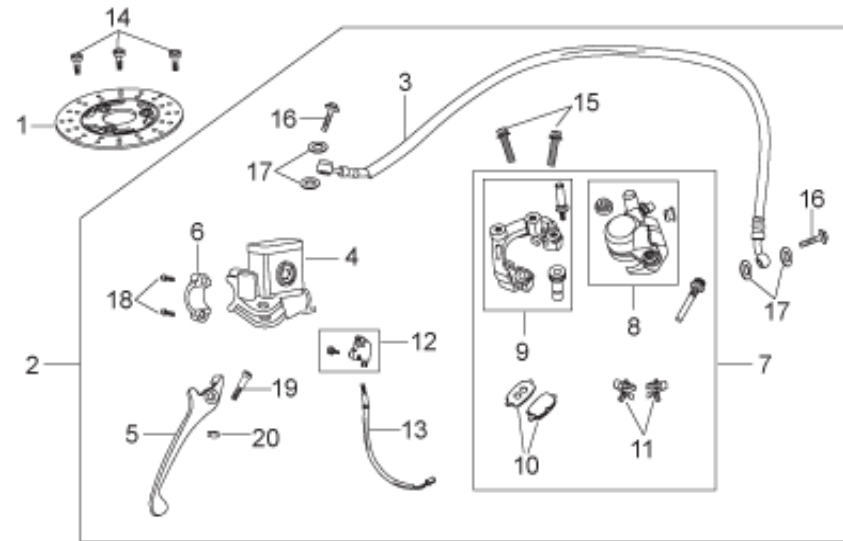


Item	Parts no.	Description	Chinese	Qty	Unit	Remark
16	MC-C120002D	Peg	12*20刹车线销柱	1	pcs	
17	MC-C120003B	Nut, Fix	M6*15C刹车线调节螺母	1	pcs	
18	MC-F030002	Socket, Mirror, M8	后视镜座(M8)	1	pcs	于06年8月停用
18.1	MC-F030002A	Socket, Mirror, M10*1.25	后视镜座(M10*1.25)	1	pcs	于06年8月启用
19	G5787-M10*1.25*45S	Bolt, M10*1.25*45	六角法兰面螺栓M10*1.25*45	1	pcs	
20	G6187-M10*1.25S	Nut, M10*1.25	六角法兰面自锁螺母M10*1.25	2	pcs	
21	MC-T040001S	Collar, Handle	半月键	1	pcs	

VENUS

10 Front Disc Brake Assy

前制动总成



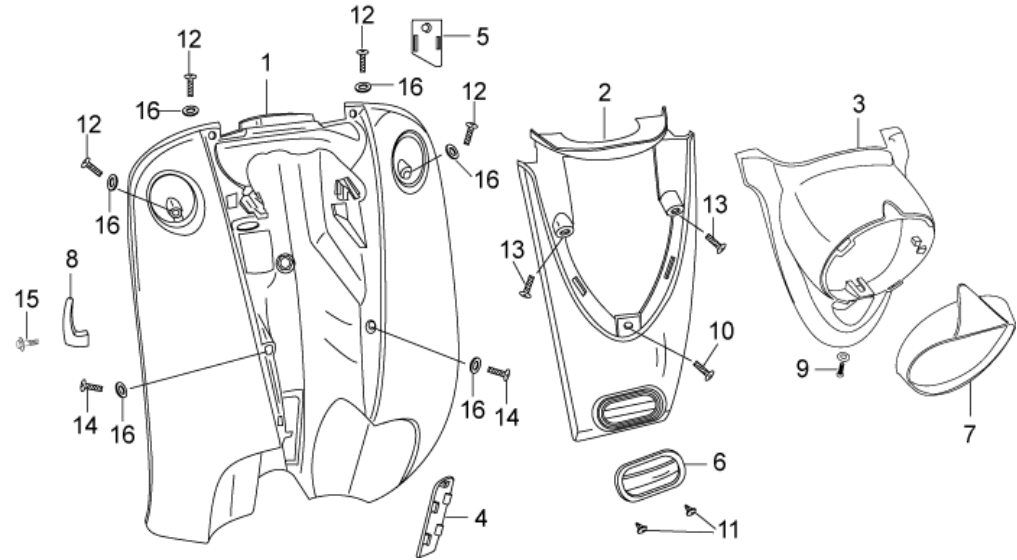
change

Item	Parts no.	Description	Chinese	Qty	Unit	Remark
1	MC-C030001	Disc	前制动盘	1	set	
2	GW-C110000	Front Disc Brake Assy	前制动总成	1	pcs	
3	GW-C110201	Brake Tube	前制动油管	1	set	
4	GW-C110101	Body, Brake Pump	前制动总泵本体	1	pcs	
5	GW-C110102	Brake Lever, R	前制动手柄	1	pcs	
6	GW-C110103	Cover, Half	夹码	1	pcs	
7	MC-C030300	Clamper Assy, Brake	前制动钳组件	1	set	
8	MC-C030301	Body, Brake Clamper	前制动钳本体	1	set	
9	MC-C030302	Frame, Brake Clamper	前制动钳支架	1	pcs	
10	MC-C030303	Pad, Disc Brake, L	制动蹄块	2	pcs	
11	MC-C030304	Pad, Disc Brake	簧片	2	pcs	
12	GW-C110400	Brake Switch, FR	前制动开关	1	pcs	
13	GW-C110401	Wire, Brake Switch, FR	前制动开关线	1	pcs	
14	Y-C120001-3	Bolt, M8*25	碟刹盘专用螺栓M8*25	3	pcs	
15	G5789-M8*30S	Bolt, M8*30	六角法兰面螺栓M8*30	2	pcs	
16	GW-C110202	Bolt, Brake Tube	油管接头螺栓	2	pcs	
17	GW-C110203	Washer, Brake Tube	油管接头垫片	4	pcs	
18	G5787-M6*22S	Bolt, M6*22	六角头法兰面螺栓M6*22	2	pcs	
19	Y-C120104F	Bolt, M6*φ7.8*17*15	六角头轴阶螺栓M6* φ 7.8*17*15	1	pcs	
20	G6186-M6F	Nut, M6	六角锁紧螺母M6	1	pcs	

VENUS

11-1 Front Cover

前面板

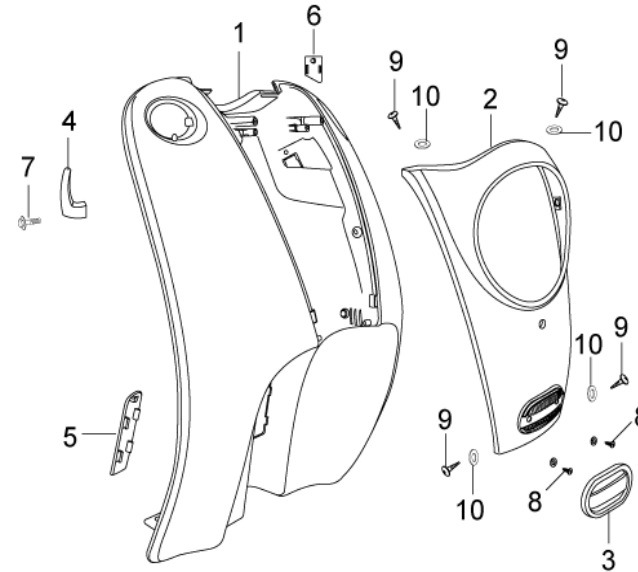


Item	Parts no.	Description	Chinese	Qty	Unit	Remark
1	GW-SA0103	Body, FR	前挡风板(二代)	1	pcs	
2	GW-SA0102	Cover, FR	前面板(二代)	1	pcs	
3	GW-SA0101	Cover, Light	前大灯罩(二代)	1	pcs	
4	GW-SA0107	Cover, Main Pipe	检视盖	1	pcs	
5	GW-SA0111	Cover, Body, FR	前挡风板小盖	1	pcs	
6	GW-SA0301	Plate, FR Cover	前面板装饰板	1	pcs	
7	GW-SA0302	Plate, Light Cover	前大灯装饰罩(二代)	1	pcs	
8	GW-SA0303	Helmet Hook	头盔挂钩	1	pcs	
9	G9074.6-M4*12S	Screw, M4*12	十字盘头带大平垫螺钉M4*12	1	pcs	
10	B170602S	Screw, M6*12	十字大盘头螺钉M6*12	1	pcs	
11	G845-ST3.8*8S	Screw, ST3.8*8	自攻螺钉ST3.8*8	2	pcs	
12	G845-ST4.8*12S	Screw, ST4.8*12	自攻螺钉ST4.8*12	4	pcs	
13	G845-ST4.8*16S	Screw, ST4.8*16	自攻螺钉ST4.8*16	2	pcs	
14	G845-ST4.8*16S	Screw, ST4.8*16	自攻螺钉ST4.8*16	2	pcs	
15	G818-M6*20S	Screw, M6*20	十字盘头螺钉M6*20	1	pcs	
16	G97.1-6S	Washer, φ6	平垫圈 φ6	6	pcs	

VENUS II

11-2 Front Cover

前面板（三代）

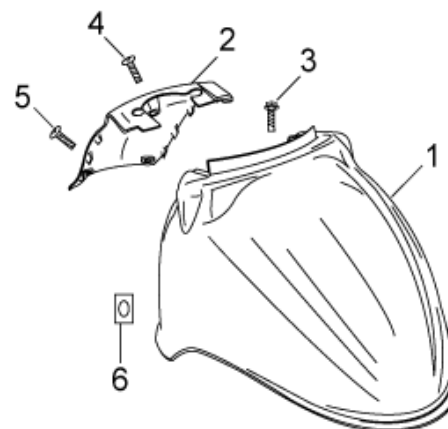


Item	Parts no.	Description	Chinese	Qty	Unit	Remark
1	GW-SA0103A	Body, FR (Venus II)	前挡风板(三代)	1	pcs	
2	GW-SA0102A	Cover, FR (Venus II)	前面板(三代)	1	pcs	
3	GW-SA0301	Plate, FR Cover	前面板装饰板	1	pcs	
4	GW-SA0303	Helmet Hook	头盔挂钩	1	pcs	
5	GW-SA0107	Cover, Main Pipe	检视盖	1	pcs	
6	GW-SA0111	Cover, Body, FR	前挡风板小盖	1	pcs	
7	G818-M6*20S	Screw, M6*20	十字盘头螺钉M6*20	1	pcs	
8	G845-ST3.8*8S	Screw, ST3.8*8	自攻螺钉ST3.8*8	2	pcs	
9	G845-ST4.8*16S	Screw, ST4.8*16	自攻螺钉ST4.8*16	4	pcs	
10	G97.4-6S	Washer φ6	平垫圈φ6	4	pcs	

VENUS

12 Front Fender

前挡泥板

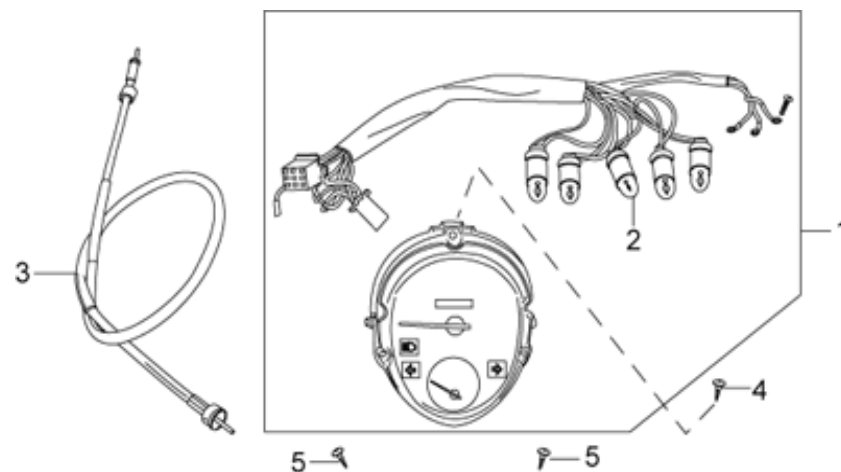


Item	Parts no.	Description	Chinese	Qty	Unit	Remark
1	GW-SA010401	Fender, FR	前挡泥板	1	pcs	
2	GW-SA010402	Cover, FR Fender, RR	前挡泥板后盖	1	pcs	
3	G5787-M6*12S	Bolt, M6*12	六角法兰面螺栓M6*12	1	pcs	
4	B170604S	Screw, M6*16	十字大盘头镙钉M6*16	1	pcs	
5	G845-ST4.8*12S	Screw, ST4.8*12	自攻螺钉ST4.8*12	1	pcs	
6	B31S	Clip	自攻夹片	2	pcs	

VENUS

13 Speedometer

仪表

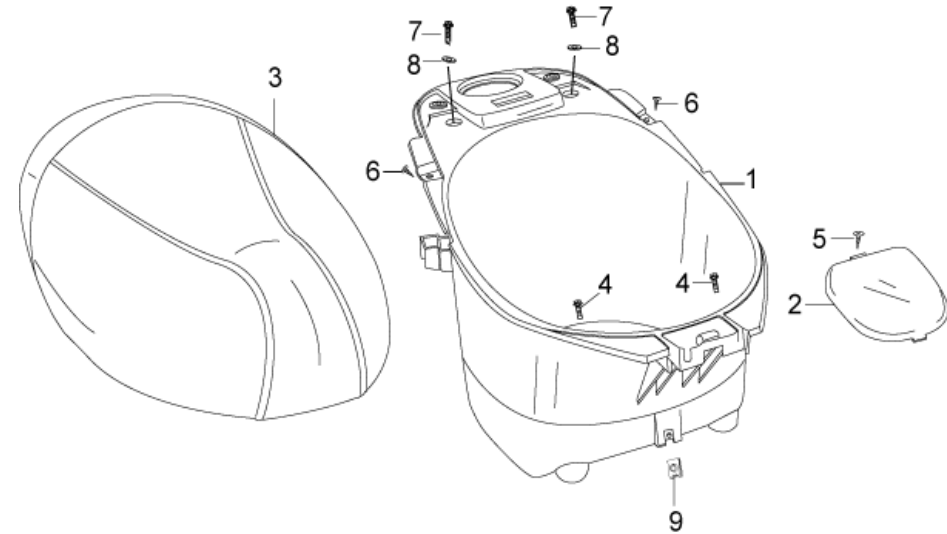


Item	Parts no.	Description	Chinese	Qty	Unit	Remark
1	GW-D0801	Speedometer Assy	仪表	1	set	
2	GW-D0801-1	Bulb, Speedometer	仪表灯泡	5	pcs	
3	GW-C0501	Cable, Speedometer	里程线	1	pcs	
4	G845-ST4.2*12S	Screw, ST4.2*12	自攻螺钉ST4.2*12	1	pcs	
5	G845-ST4.8*12S	Screw, ST4.8*12	自攻螺钉ST4.8*12	2	pcs	

VENUS

14 Seat / Storage Box

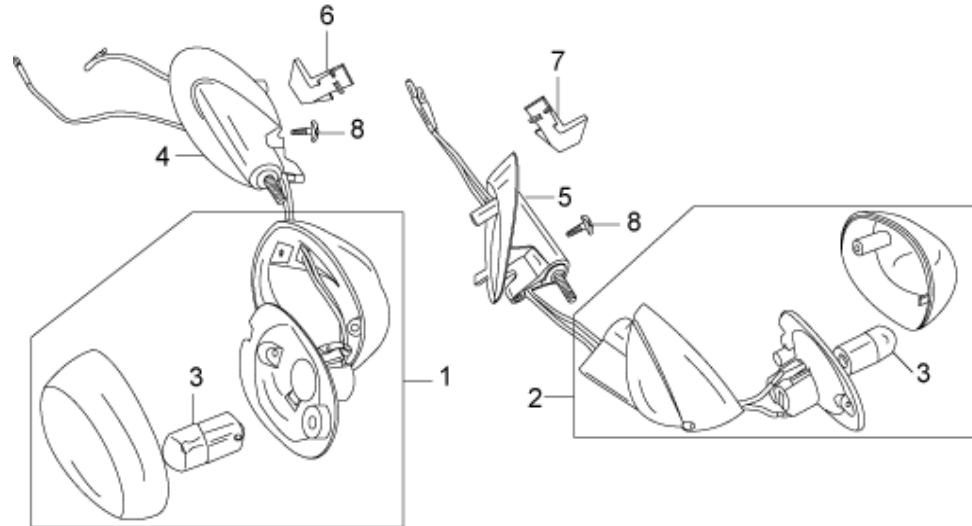
座垫/置物箱



Item	Parts no.	Description	Chinese	Qty	Unit	Remark
1	GW-SP0201	Storage Box, Seat	置物箱	1	pcs	
2	GW-SP0202	Cover, Inner, Seat	化油器维护盖	1	pcs	
3	GW-C10	Seat Assy (Single seater)	座垫(单座)	1	pcs	
3.1	GW-C10A	Seat Assy (Double seater)	座垫(双座)	1	pcs	
4	B070604S	Bolt, M6*17	六角法兰面凸台螺栓M6*17	2	pcs	
5	B170602S	Screw, M6*12	十字大盘头螺钉M6*12	1	pcs	
6	G845-ST4.8*16S	Screw, ST4.8*16	自攻螺钉ST4.8*16	2	pcs	
7	G6177-M6S	Nut, M6	六角法兰面螺母M6	2	pcs	
8	G96-6S	Washer, φ6	大平垫φ6	2	pcs	
9	B3006S	Clip, M6	夹母M6	1	pcs	

VENUS

15-1 Direction Lamp, FR 前转向灯总成

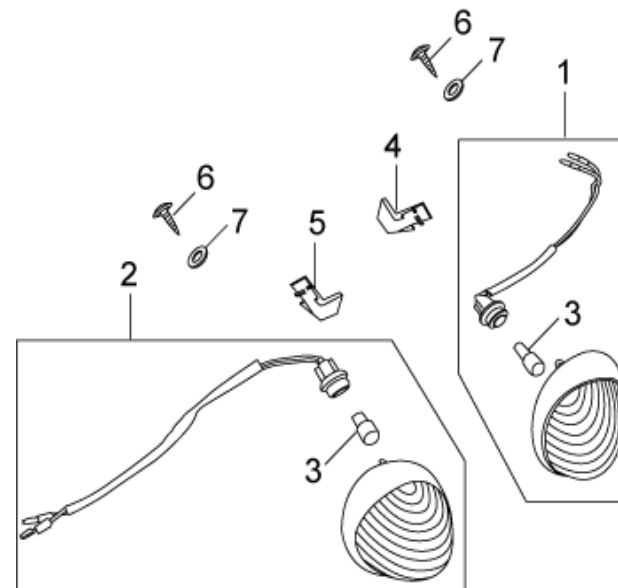


Item	Parts no.	Description	Chinese	Qty	Unit	Remark
1	GW-D1003	Direction Lamp, FR, L (Yellow)	前左转向灯(二代/黄壳)	1	pcs	
1.1	GW-D1003-A	Direction Lamp, FR, L (Grey Smoke)	前左转向灯(二代/烟灰壳)	1	pcs	
2	GW-D1004	Direction Lamp, FR, R (Yellow)	前右转向灯(二代/黄壳)	1	pcs	
2.1	GW-D1004-A	Direction Lamp, FR, R (Grey Smoke)	前右转向灯(二代/烟灰壳)	1	pcs	
3	GW-D1003-2	Bulb Direction Lamp	转向灯灯泡	2	pcs	
4	GW-SA011001	Base, Direction Lamp, L	左前转向灯盖(二代)	1	pcs	
5	GW-SA011002	Base, Direction Lamp, R	右前转向灯盖(二代)	1	pcs	
6	GW-SP020701	Cover, Direction Lamp Wire, FR, L	左前转向灯护线板	1	pcs	
7	GW-SP020702	Cover, Direction Lamp Wire, FR, R	右前转向灯护线板	1	pcs	
8	G845-ST4.8*12S	Screw, ST4.8*12	自攻螺钉ST4.8*12	2	pcs	

VENUS II

15-2 Direction Lamp, FR

前转向灯总成（三代）

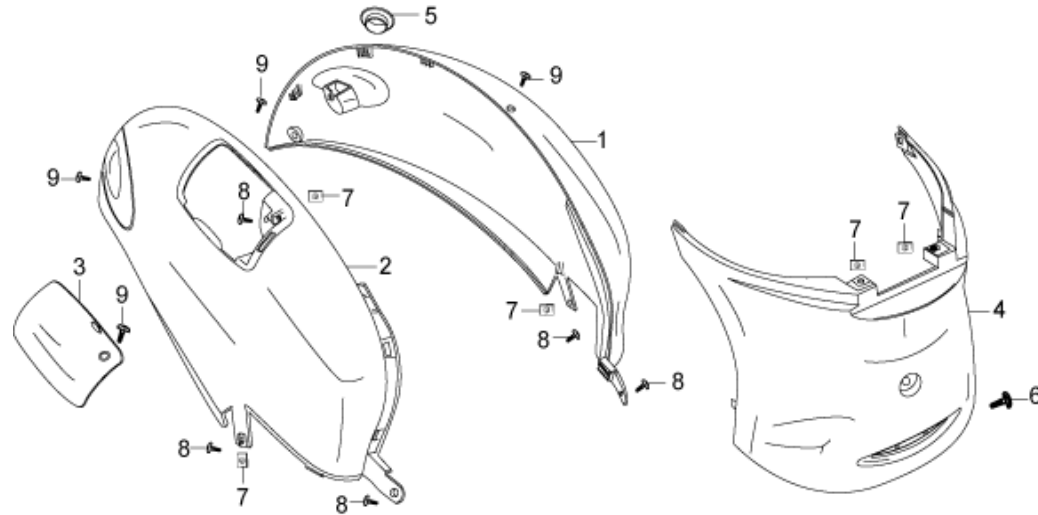


Item	Parts no.	Description	Chinese	Qty	Unit	Remark
1	GW-D1003A	Direction Lamp, FR, L (Venus II)	前左转向灯(三代)	1	pcs	
2	GW-D1004A	Direction Lamp, FR, R (Venus II)	前右转向灯(三代)	1	pcs	
3	GW-D1003-2	Bulb Direction Lamp	转向灯灯泡	2	pcs	
4	GW-SA020701	Cover, Direction Lamp Wire, FR, L	左前转向灯护线板	1	pcs	
5	GW-SA020702	Cover, Direction Lamp Wire, FR, R	右前转向灯护线板	1	pcs	
6	G845-ST4.2*13S	Screw, ST4.2*13	自攻螺钉ST4.2*13	2	pcs	
7	G97.4-6S	Washer, φ6	平垫圈φ6	2	pcs	

VENUS

16 Side Cover

侧车体盖

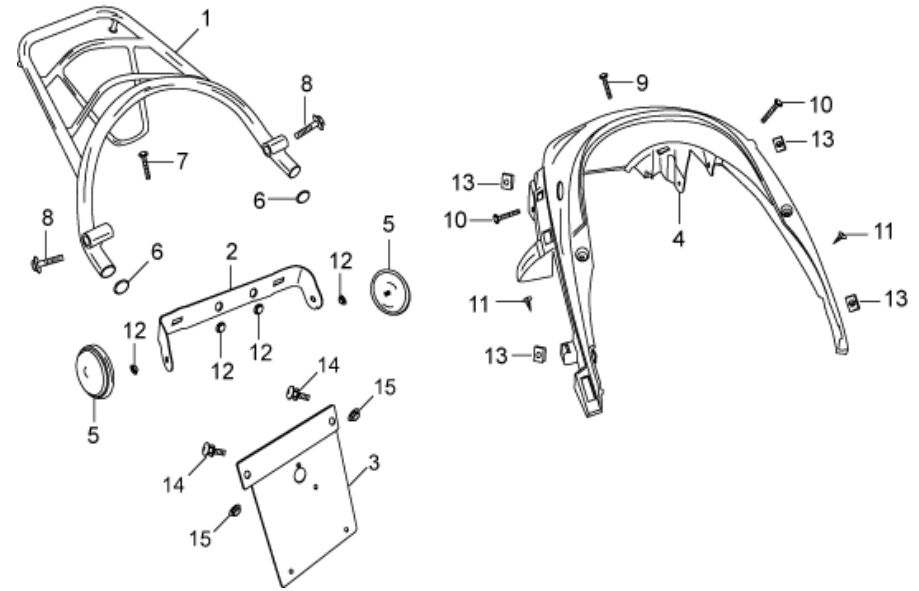


Item	Parts no.	Description	Chinese	Qty	Unit	Remark
1	GW-SA010602	Side Cover, L	左侧盖(二代)	1	pcs	
1.1	GW-SA010602A	Side Cover, L (Venus II)	左侧盖(三代)	1	pcs	
2	GW-SA010603	Side Cover, R	右侧盖(二代)	1	pcs	
2.1	GW-SA010603A	Side Cover, R (Venus II)	右侧盖(三代)	1	pcs	
3	GW-SA010604	Plate, Cover, R	右侧盖小盖板	1	pcs	
4	GW-SA0105	Center Cover	杂物箱前罩	1	pcs	
5	GW-X11	Gasket, Side Cover Lock	侧盖锁胶圈	1	pcs	
6	B170606F	Screw, M6*65	十字大盘头螺钉M6*65	1	pcs	
7	B31S	Clip	自攻夹片	5	pcs	
8	G845-ST4.8*16S	Screw, ST4.8*16	自攻螺钉ST4.8*16	5	pcs	
9	G845-ST4.8*16S	Screw, ST4.8*16	自攻螺钉ST4.8*16	4	pcs	

VENUS

17 Rear Cover

后车体盖

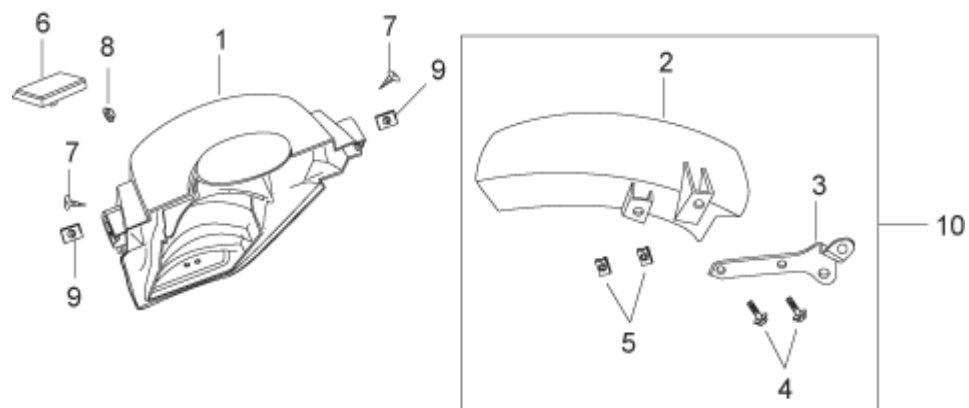


Item	Parts no.	Description	Chinese	Qty	Unit	Remark
1	GW-T0701	Handle, RR	后扶手	1	pcs	
2	GW-T10	Frame Rear Plate	后牌照支架	1	pcs	
3	GW-T1001	Number Plate Holder RR	后牌照挂板	1	pcs	
4	GW-SA010601	Rear Cover	后车体盖(二代)	1	pcs	
4.1	GW-SA010601A	Rear Cover (Venus II)	后车体盖(三代)	1	pcs	
5	MC-D060900	Retroreflector, Side (Round)	反射片(圆)	2	pcs	
6	GW-X12	Stopper, Handle, RR	后货架胶塞	2	pcs	
7	G5787-M8*16S	Bolt, M8*16	六角法兰面螺栓M8*16	1	pcs	
8	G5787-M8*55S	Bolt, M8*55	六角法兰面螺栓M8*55	2	pcs	
9	G818-M6*16S	Screw, M6*16	十字盘头螺钉M6*16	1	pcs	
10	G9074.1-M6*12S	Screw, M6*12	十字盘头带平垫螺钉M6*12	2	pcs	
11	G845-ST4.8*16S	Screw, ST4.8*16	自攻螺钉ST4.8*16	2	pcs	
12	G6177-M6S	Nut, M6	六角法兰面螺母M6	4	pcs	
13	B31S	Clip	自攻夹片	4	pcs	
14	G9074.1-M5*12S	Screw, M5*12	十字盘头带平垫螺钉M5*12	2	pcs	
15	G6177-M5S	Nut, M5	六角法兰面螺母M5	2	pcs	

VENUS

18 Fender, RR

后挡泥板

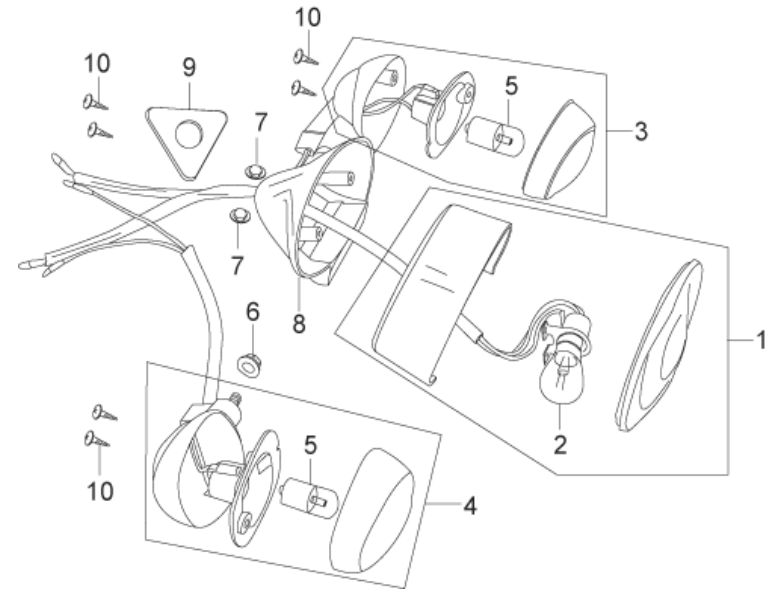


Item	Parts no.	Description	Chinese	Qty	Unit	Remark
1	GW-SP0206	Fender, RR	后挡泥板	1	pcs	
2	HY50QT4-S060201	Fender, Inner, RR	后轮小挡泥板	1	pcs	
3	HY50QT4-S060202	Frame, Inner Fender, RR	后轮小挡泥板支架	1	pcs	
4	G5787-M6*12S	Bolt, M6*12	六角法兰面螺栓M6*12	2	pcs	
5	B3006S	Clip, M6	夹母M6	2	pcs	
6	MC-D061000	Retroreflector, RR (Rectangle)	后反射器(方)	1	pcs	
7	G845-ST4.8*16S	Screw, ST4.8*16	自攻螺钉ST4.8*16	2	pcs	
8	G6177-M5S	Nut, M5	六角法兰面螺母M5	1	pcs	
9	B31S	Clip	自攻夹片	2	pcs	
10	HY50QT4-S060200	RR Wheel Fender, Assy	后轮小挡泥板组件	1	pcs	

VENUS

19-1 Rear Lamp / Direction Lamp, RR

后尾灯总成/后转向灯

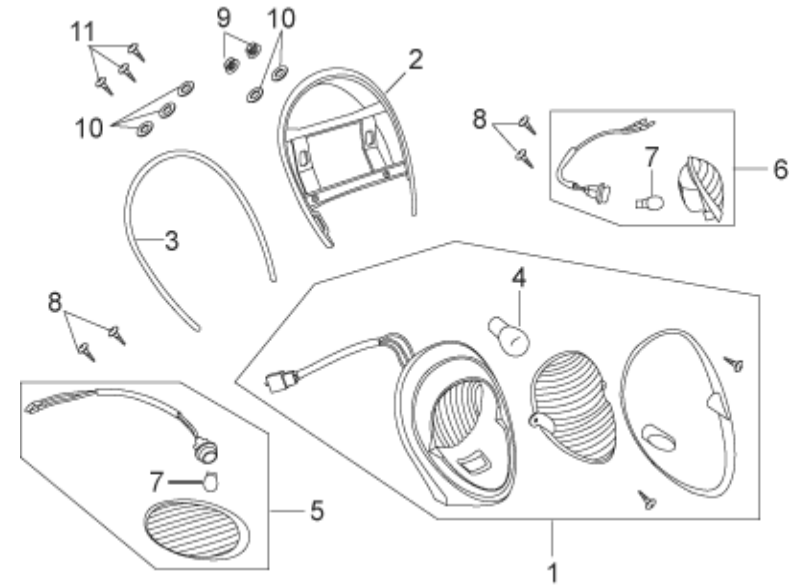


Item	Parts no.	Description	Chinese	Qty	Unit	Remark
1	GW-D1002	Rear Lamp	后尾灯(二代)	1	set	
2	GW-D1002-1	Bulb, Rear Lamp	后尾灯灯泡(二代)	1	pcs	
3	GW-D1005	Direction Lamp, RR, L (Yellow)	后左转向灯(二代/黄壳)	1	pcs	
3.1	GW-D1005-A	Direction Lamp, RR, L (Grey Smoke)	后左转向灯(二代/烟灰壳)	1	pcs	
4	GW-D1006	Direction Lamp, RR, R (Yellow)	后右转向灯(二代/黄壳)	1	pcs	
4.1	GW-D1006-A	Direction Lamp, RR, R (Grey Smoke)	后右转向灯(二代/烟灰壳)	1	pcs	
5	GW-D1003-2	Bulb, Direction Lamp	转向灯灯泡	2	pcs	
6	G6177-M6S	Nut, M6	六角法兰面螺母M6	2	pcs	
7	G6177-M5S	Nut, M5	六角法兰面螺母M5	2	pcs	
8	GW-S0109	Cover, Tail lamp base	后尾灯安装板(二代)	1	pcs	
9	GW-X10	Washer, Rear Lamp	后尾灯胶圈(二代)	1	pcs	
10	G845-ST4.2*16S	Screw, ST4.2*16	自攻螺钉ST4.2*16	6	pcs	

VENUS II

19-2 Rear Lamp / Direction Lamp, RR

后尾灯总成/后转向灯（三代）

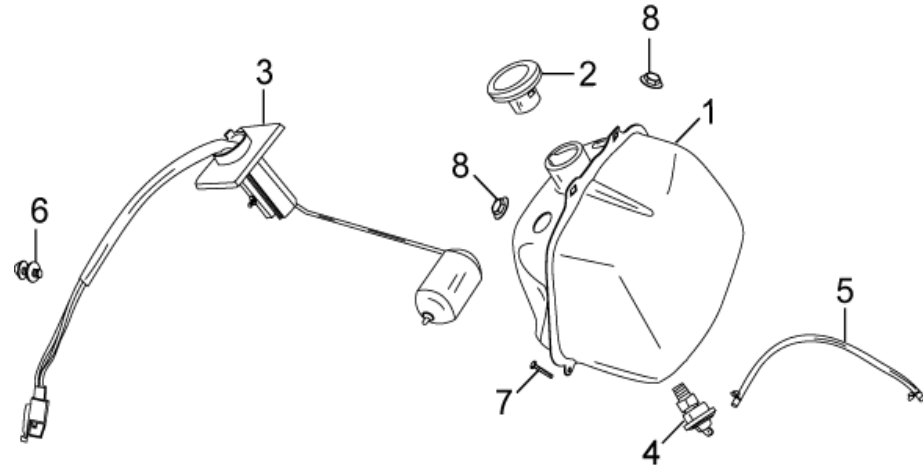


Item	Parts no.	Description	Chinese	Qty	Unit	Remark
1	GW-D1002A	Rear Lamp (Venus II)	后尾灯(三代)	1	set	
2	GW-S0109A	Pedestal, Rear Lamp (Venus II / Spray-paint)	后尾灯安装座(三代/烤漆)	1	pcs	
2.1	GW-S0109A-1	Pedestal, Rear Lamp (Venus II / Chrome)	后尾灯安装座(三代/电镀)	1	pcs	
3	GW-S21	Adornment, Rear Lamp (Venus II)	后尾灯装饰条(三代)	1	pcs	
4	GW-D100201	Bulb, Rear Lamp (Venus II)	后尾灯灯泡(三代)	1	pcs	
5	GW-D1005A	Direction Lamp, RR, L (Venus II)	后左转向灯(三代)	1	pcs	
6	GW-D1006A	Direction Lamp, RR, R (Venus II)	后右转向灯(三代)	1	pcs	
7	GW-D1003-2	Bulb, Direction Lamp	转向灯灯泡	2	pcs	
8	G845-ST4.2*16S	Screw, ST4.2*16	自攻螺钉ST4.2*16	4	pcs	
9	G6177-M6S	Nut, M6	六角法兰面螺母M6	2	pcs	
10	G97.4-6S	Washer, ϕ 6	大平垫 ϕ 6	5	pcs	
11	G845-ST3.5*16S	Screw, ST3.5*16	自攻螺钉ST3.5*16	3	pcs	

VENUS

20 Fuel Tank

汽油箱

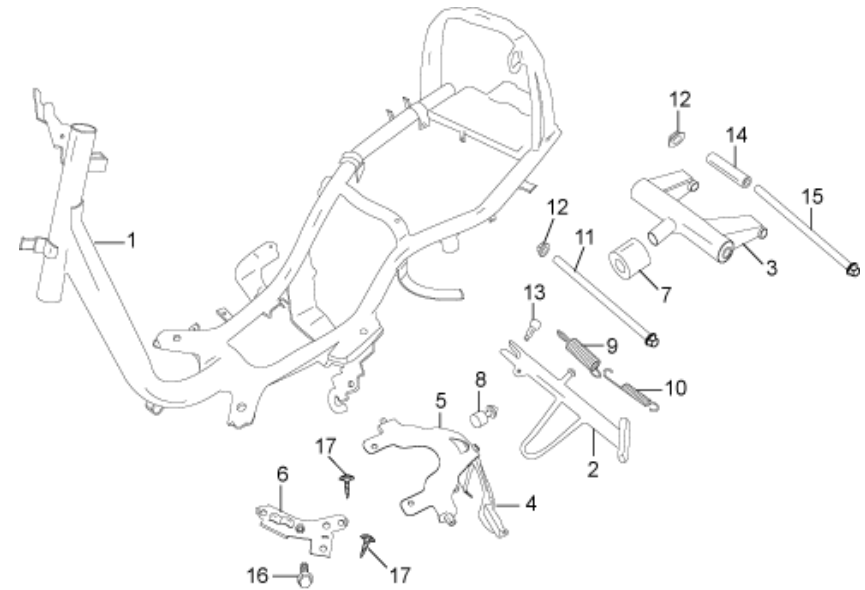


Item	Parts no.	Description	Chinese	Qty	Unit	Remark
1	GW-T0601	Fuel Tank Assy	油箱	1	pcs	
2	GW-D03-4	Cap, Fuel Tank	油箱盖	1	pcs	
3	GW-D0803	Sensor, Fuel Tank	传感器	1	pcs	
4	GW-C07	Cork, Fuel	汽油开关	1	pcs	
5	MC-X010001F	Fuel Tube, $\phi 4.8 \times \phi 9 \times 250$ (with clips)	燃油管250mm(含卡簧2个)	1	pcs	
6	G9074.1-M5*12S	Screw, M5*12	十字盘头带平垫螺钉M5*12	4	pcs	
7	G5787-M6*12S	Bolt, M6*12	六角法兰面螺栓M6*12	1	pcs	
8	G6177-M6S	Nut, M6	六角法兰面螺母M6	2	pcs	

VENUS

21 Main Frame / Frame Parts

车架/铁件

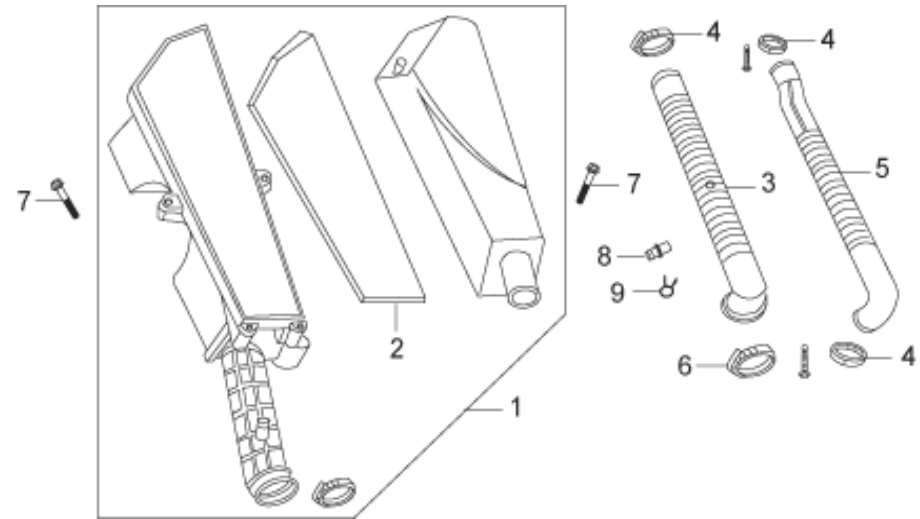


Item	Parts no.	Description	Chinese	Qty	Unit	Remark
1	GW-T01A	Frame Assy, Body	车架(三代)	1	pcs	通用
2	GW-T03	Prop Stand	侧支架	1	pcs	
3	GW-T04	Frame, Engine	动力吊架	1	pcs	
4	GW-T0602	Frame, Fuel Tank	油箱压板	1	pcs	
5	GW-T0702	Frame, Rear Handle	后扶手支架	1	pcs	
6	GW-T09A	Frame, Horn	喇叭支架(三代)	1	pcs	通用
7	GW-X04	Stopper, Engine Frame	动力吊架缓冲胶	1	pcs	
8	GW-X13	Stopper, Rear Handle Frame	后扶手安装板缓冲胶	1	pcs	
9	GW-C060201	Spring, Prop Stand, Outer	侧支架外弹簧	1	pcs	
10	GW-C060202	Spring, Prop Stand, Inner	侧支架内弹簧	1	pcs	
11	G5787-M10*1.25*215S	Bolt, M10*1.25*215	吊架轴M10*1.25*215	1	pcs	
12	G6187-M10*1.25S	Nut, M10*1.25	六角法兰面螺母M10*1.25	2	pcs	
13	Y-T030001S	Nut, M8*20	六角头凸台螺栓M8*20	1	pcs	
14	HY50QT4-T150001	Collar, ϕ 10.5* ϕ 16*75	动力吊架隔套 ϕ 10.5* ϕ 16*75	1	pcs	
15	G5787-M10*1.25*205S	Bolt, M10*1.25*205	发动机轴M10*1.25*205	1	pcs	
16	G5787-M6*12S	Bolt, M6*12	六角法兰面螺栓M6*12	1	pcs	
17	G845-ST4.2*12S	Screw, ST4.2*12	自攻螺钉ST4.2*12	2	pcs	

VENUS

22 Air Filter

空滤器总成

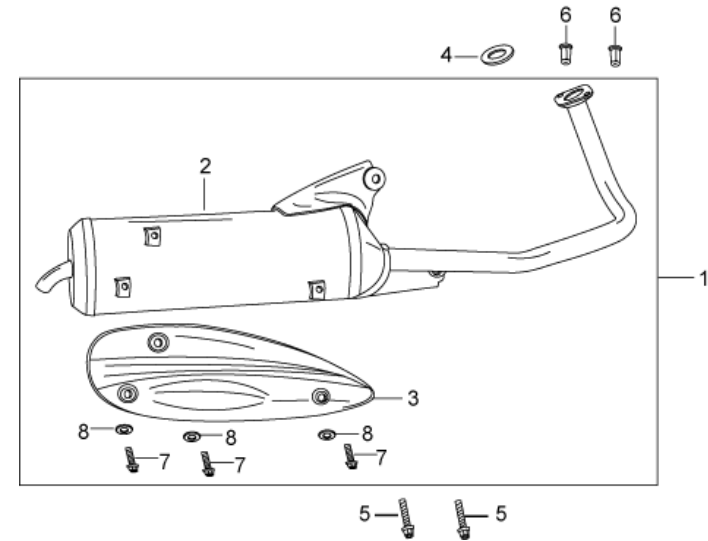


Item	Parts no.	Description	Chinese	Qty	Unit	Remark
1	HY50QT-C030000	Air Filter Assy	空滤器总成	1	set	
2	HY50QT-C030001	Air Filter Element	滤芯	1	pcs	
3	HY50QT4-X000009	Tube, Air Intake	空滤器进气管	1	pcs	
4	HY50QT4-X000013	Band, Air Intake Tube	空滤器进气管卡箍	3	pcs	NO.1# 25-38
5	HY50QT4-X000010	Tube, Air Intake, Left Cover, Engine	发动机左盖进气管	1	pcs	
6	HY50QT4-X000014	Band, Air Intake, Left Engine Cover	发动机左盖进气管卡箍	1	pcs	NO.1A 22-32
7	G5787-M6*30S	Bolt, M6*30	六角法兰面螺栓M6*30	2	pcs	G5787-86
8	GW-X0502	Link, Tube	废气管接头	1	pcs	
9	GW-X0503	Clip, Tube	废气管夹	2	pcs	

VENUS

23 Exhaust (Steel) Assy

普通消声器总成

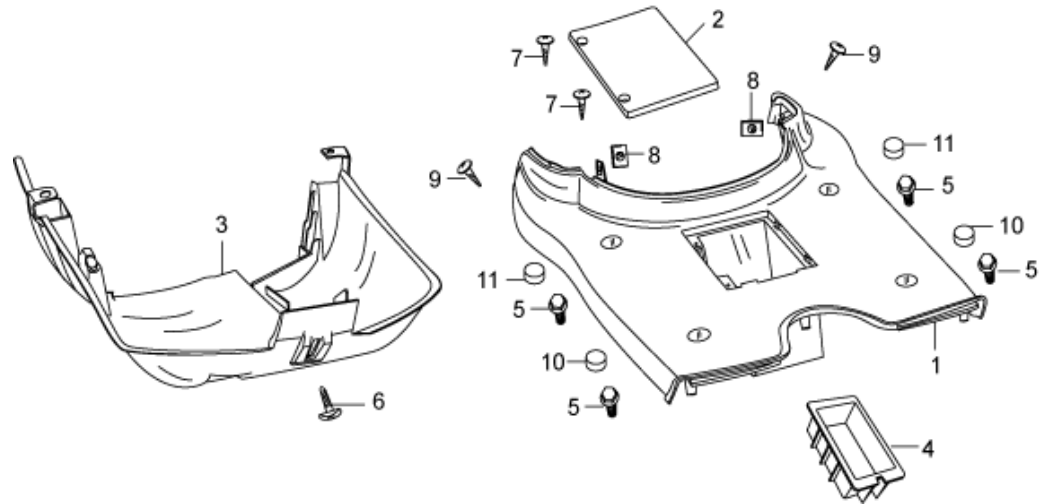


Item	Parts no.	Description	Chinese	Qty	Unit	Remark
1	HY50QT4-C100000	EX. Comp, Steel (with CC)	消声器总成(含触媒)	1	set	
1.1	HY50QT4-C100000-1	EX. Comp, Steel (without CC)	消声器总成(不含触媒)	1	set	
2	HY50QT4-C100100	EX. Body, Steel (with CC)	消声器主体(含触媒)	1	pcs	
2.1	HY50QT4-C100100-1	EX. Body, Steel (without CC)	消声器主体(不含触媒)	1	pcs	
3	HY50QT4-C100001	Cover, EX.	消声器护板	1	pcs	
4	HY50QT-C100004	Gasket, EX.	排气管垫圈	1	pcs	
5	G5787-M8*50S	Bolt, M8*50	六角法兰面螺栓M8*50	2	pcs	
6	G923-M6*35S	Nut, M6*35	盖型螺母M6*35	2	pcs	
7	G5787-M6*12S	Bolt, M6*12	六角法兰面螺栓M6*12	3	pcs	
8	G93-6S	Washer, ϕ 6	弹簧垫片 ϕ 6	3	pcs	

VENUS

24 Bottom Cover

底板

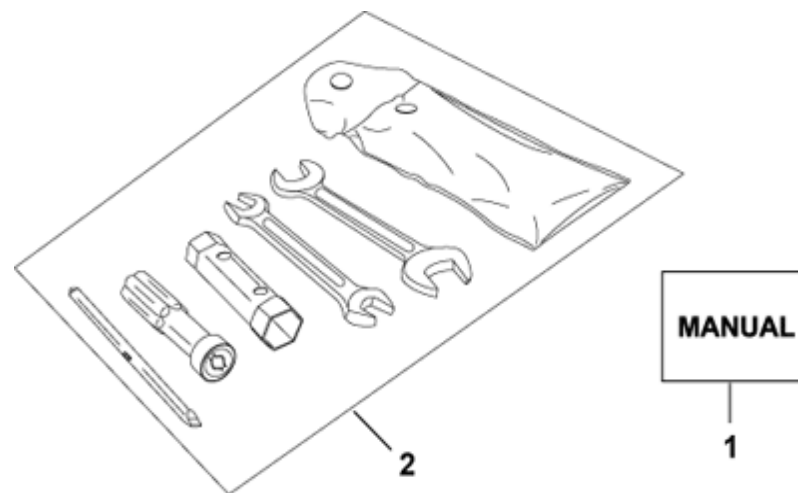


Item	Parts no.	Description	Chinese	Qty	Unit	Remark
1	GW-SP0203	Pedal, Foot	脚踏板	1	pcs	
2	GW-SP0204	Box, Battery	电池盖	1	pcs	
3	GW-SP0205	Cover, Bottom	底板	1	pcs	
4	GW-SP020303	Frame, Battery	电池座	1	pcs	
5	B070604S	Bolt, M6*17	六角法兰面凸螺栓M6*17	4	pcs	
6	B170602S	Screw, M6*12	十字大盘头螺钉M6*12	1	pcs	
7	G845-ST4.2*16S	Screw, ST4.2*16	自攻螺钉ST4.2*16	2	pcs	
8	B31S	Clip	自攻夹片	2	pcs	
9	G845-ST4.8*16S	Screw, ST4.8*16	自攻螺钉ST4.8*16	2	pcs	
10	GW-X0101	Stopper, FR Foot Pedal	脚踏板前胶塞	2	pcs	
11	GW-X0102	Stopper, RR Foot Pedal	脚踏板后胶塞	2	pcs	

VENUS

25 Tools Set / Others

随车工具/说明书

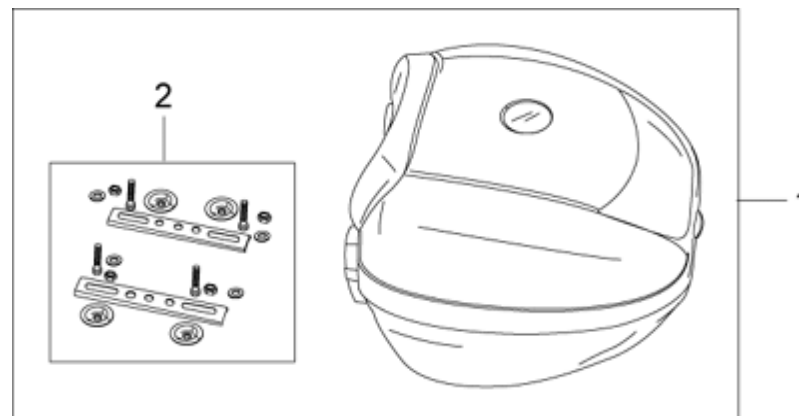


Item	Parts no.	Description	Chinese	Qty	Unit	Remark
1	GW-F04	User Manual	说明书	1	pcs	
2	MC-F020000	Tools Set (4 pcs)	随车工具(4件)	1	pcs	

VENUS

26 Rear Storage Box

小尾箱

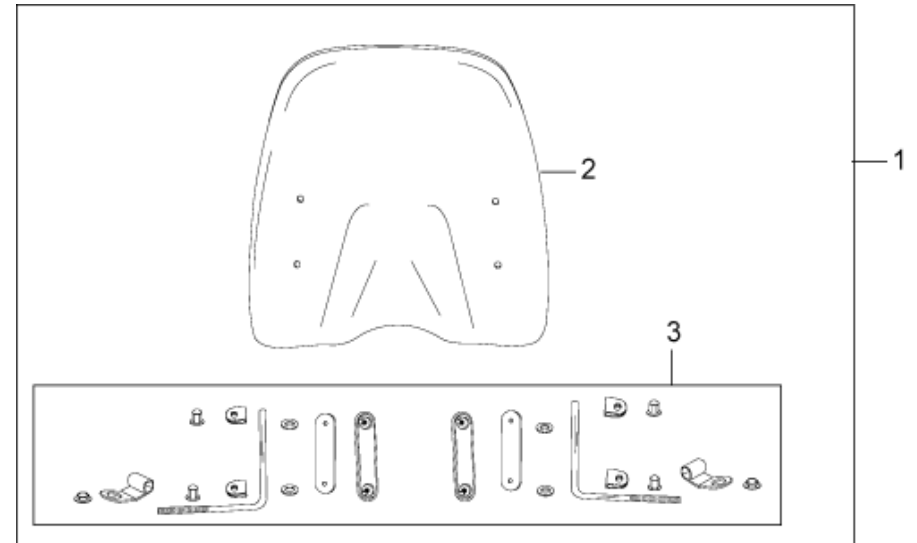


Item	Parts no.	Description	Chinese	Qty	Unit	Remark
1	GW-F08	Small Rear Storage Box (With Fixity)	小尾箱(含固定件)	1	pcs	
2	GW-F0803	Fixity, RR Storage	小尾箱固定件	1	set	

VENUS

27 Wind Shield

挡风玻璃

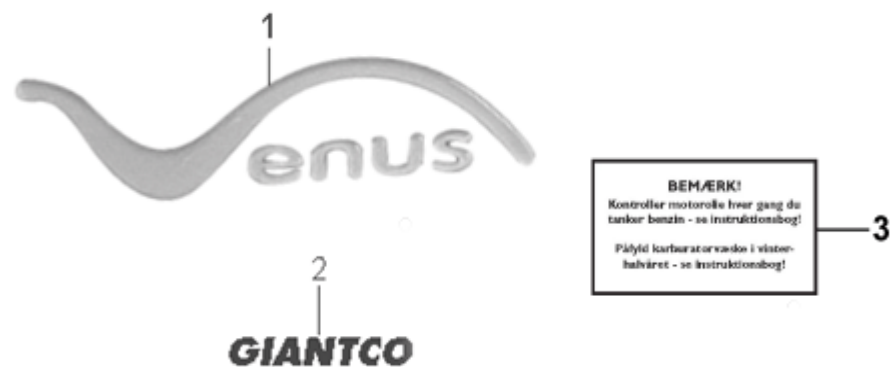


Item	Parts no.	Description	Chinese	Qty	Unit	Remark
1	GW-F09-B	Wind Shield Assy, B	挡风玻璃B总成	1	set	
2	GW-F0902	Wind Shield, B	挡风玻璃B	1	pcs	
3	GW-F0902-1	Fixity, Wind Shield, Assy	挡风玻璃安装支架总成	1	set	

VENUS

28 Sticker

贴花



Item	Parts no.	Description	Chinese	Qty	Unit	Remark
1	GW-F100001	"Venus" Logo Sticker (Big)	"Venus" 大水晶贴	1	pcs	
2	MC-F200001	"GIANTCO" Sticker for Cover, FR	前面板"GIANTCO"字贴	1	pcs	
3	MC-4SL-DK	4T-Service Label	丹麦四冲售后标签	1	pcs	