

JIANGMEN GIANTCO MOTORCYCLE CO., LTD.



SPRINT

Basic / City / Sport

PARTS CATALOGUE

DOC INDEX: PC-HY50QT-3se / 3e (VERSION: 5.0)

PREPARED BY: LHY, Chris

CHECKED BY: LHY, Chris

DATE OF ISSUE: 3 January 2008

INSTRUCTION

- This catalogue was prepared based on the latest information available as of January 2008
- Always specify the part number when ordering.
- Check the model, type, serial numbers, color, and size as needed before ordering.
- Note that the illustrations (parts drawings) can differ from the actual parts in shape.
- When modification or additions to this parts catalogue are made, a revised edition will be issued at an appropriate time. We recommend obtaining such revisions in order to keep your parts catalogue up-to-date at all times. To check whether a parts catalogue has been issued, please contact your distributor.
- The parts shown in this catalogue are the lowest denominator. Please note certain parts need to be ordered as a group.

Issue date January 2008

All rights reserved JIANGMEN GIANTCO MOTORCYCLE Co., LTD.

Abbreviations used in the Parts Catalogue

The following abbreviations are used in this parts catalogue.

- | | | | |
|--------------|------------|---------------|------------------------------|
| ● ASSY | Assembly | ● EX..... | Exhaust |
| ● COMP..... | Complete | ● V..... | Volt |
| ● R..... | Right | ● W..... | Watt |
| ● L..... | Left | ● A..... | Ampere |
| ● FR..... | Front | ● A.C. | Alternating Current |
| ● RR..... | Rear | ● D.C. | Direct Current |
| ● STD..... | Standard | ● C.D.I. | Capacitor Discharge Ignition |
| ● MM..... | Millimeter | ● CC | Catalytic Convertor |

Index	Parts name		Page No.
01	HEADLIGHT ASSY	大灯总成	5
02	SPEEDOMETER ASSY	仪表总成	6
03	OPERATING SYSTEM ASSY	操作系统总成	7、9
04	FRONT FORK	方向柱	11、12
05	HEADLIGHT COVER	前大灯罩	13
06	FRONT COVER	前面板	14
07	FRONT COVER BODY (UPPER & LOWER)	前置物箱(上下部)	15
08	REAR COVER	侧盖, 边轨	16
09	REAR WING, CENTER COVER	后扶手, 中心盖	17
10	BOTTOM COVER	底罩	18
11	FRONT WHEEL	前轮	19、21
12	REAR WHEEL	后轮	20、22
13	AIR FILTER ASSY	空滤器总成	23
14	FUEL TANK	汽油箱	24
15	SEAT, STORAGE BOX	座垫, 置物箱	25
16	FENDER ASSY	泥板总成	26
17	EXHAUST ASSY	消声器总成	27、28
18	REAR SHOCK ABSORBER / MAIN STAND	后减震器, 主支架	29
19	FRONT DIRECTION LAMP ASSY	前转向灯总成	30
20	REAR LAMP ASSY	尾灯总成	31
21	WIRE HARNESS ASSY	主电缆总成	32
22	ELECTRICAL ASSY	电器件总成	33
23	MAIN FRAME, FRAME PARTS	车架, 铁件	34
24	FRONT DISC BRAKE ASSY	前制动总成	36
25	TOOLS SET, MANUAL	随车工具, 用户手册	37
26	REAR STORAGE BOX	小尾箱	38
27	70CC BIG BORE KIT	70cc气缸总成	40
28	ALARM ASSY	防盗器总成	41

注意/NOTICE:

	Frame	Frame Parts	Plastic Parts	Lights	Steering Stem	Fuel Tank	Remark
Setting 1 –SQ	DL (formerly known as HF)	DL	SQ	SQ	DL	DL or YL	
Setting 2 – JL	JL	HY	YL	YJ or JT	CR	YL	

Supplier Abbreviations Contrast							
DL	SQ	YL	JL	HY	YJ	JT	CR
DingLin	ShenQiang	YiLong	JianLi	HuanYu	YuanJia	JUTE	ChiRun

本目录螺栓/螺母编号后：“S”表示镀军绿；“A”表示镀白锌；“CA”表示镀彩锌；“F”表示镀铬。

Regarding the finishing on all "Nuts & Bolts": "S" represents Dark Green; "A" represents Zinc; "CA" represents Color Zinc; "F" represents Chrome.

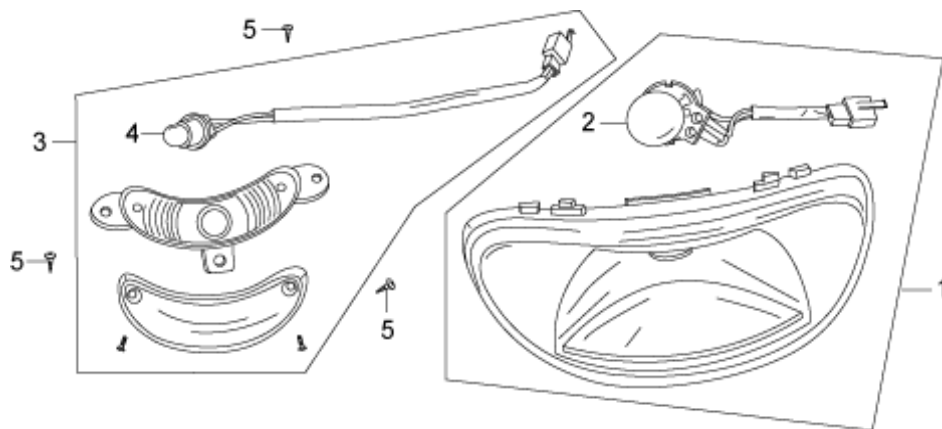
本目录塑料件编号前：“Y-SA”表示为ABS塑料件；“Y-SP”表示为PP塑料件

The "Plastic" Parts No. : "Y-SA" indicates ABS; "Y-SP" indicates PP

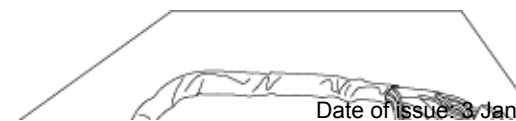
SPRINT

01 HEADLIGHT ASSY

大灯总成



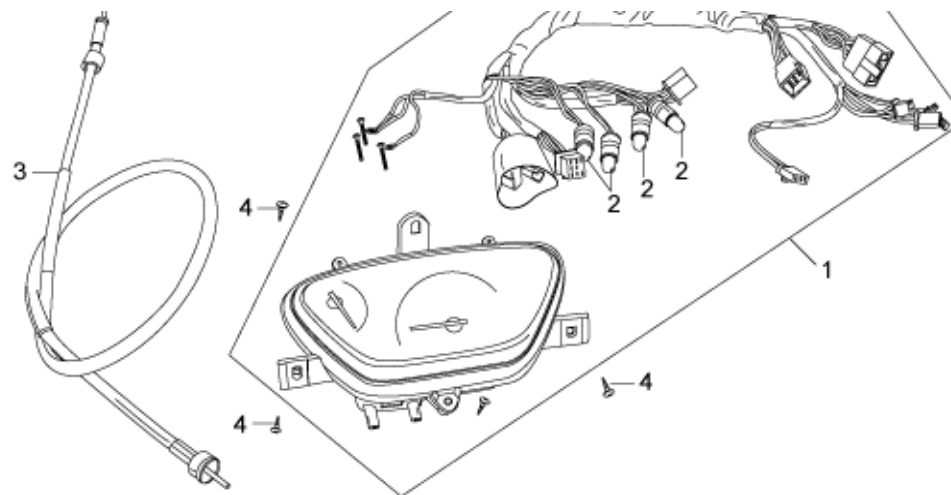
Item	Parts no.	Description	Chinese	Qty	Unit	Remark
1	Y-D0601	Headlight	前大灯	1	pcs	
2	Y-D0601-1	Bulb, Headlight	大灯灯泡	1	pcs	
3	Y-D0608	Position Lamp, FR	前位置灯	1	pcs	
4	Y-D0608-1	Bulb, Position Lamp	前位置灯灯泡	1	pcs	
5	G845-ST4.2*12S	Screw, ST4.2*12	自攻螺钉ST4.2*12	3	pcs	



SPRINT

02 SPEEDOMETER ASSY

仪表总成



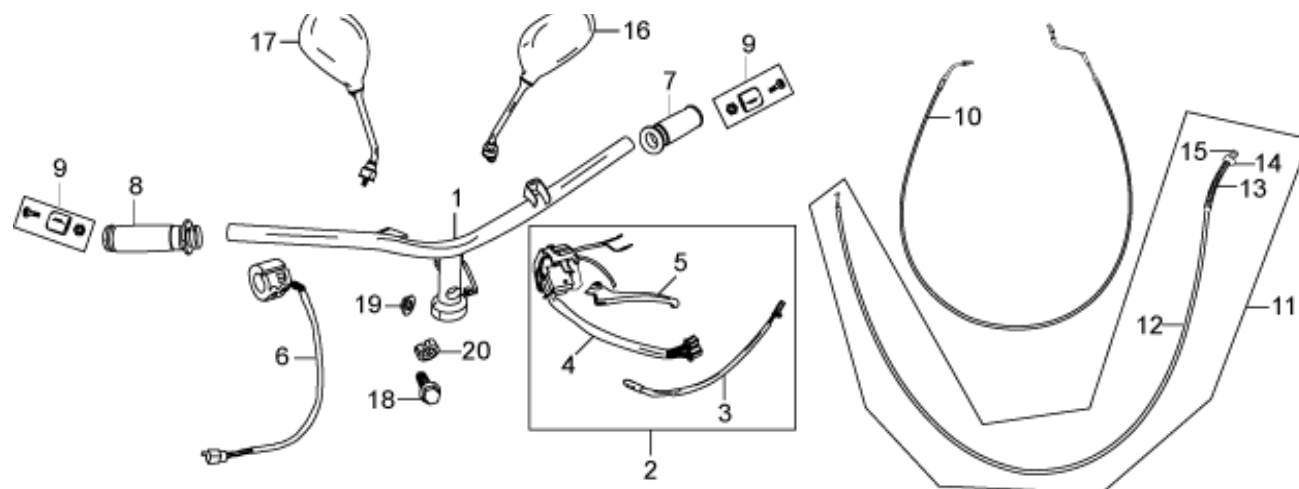
Item	Parts no.	Description	Chinese	Qty	Unit	Remark
1	Y-D0701	Speedometer Assy (Normal)	仪表总成 (普通款)	1	pcs	
1.1	Y-D0701A	Speedometer Assy (Sport)	仪表总成 (跑车款)	1	pcs	
2	Y-D0701-2	Bulb, Speedometer	仪表灯泡	4	pcs	
3.1	Y-C060201	Cable, Speedometer (Drum)	里程线 (鼓)	1	pcs	
3.2	Y-C060202A	Cable, Speedometer (Disc)	里程线 (碟)	1	pcs	
4	G845-ST4.8*16S	Screw, ST4.8*16	自攻螺钉ST4.8*16	3	pcs	

SPRINT

03-1-A OPERATING SYSTEM ASSY

(DISC BRAKE)

操作系统总成(碟刹)



Item	Parts no.	Description	Chinese	Qty	Unit	Remark
1	Y-T04	Handle Bar	方向把	1	pcs	
2	Y-D0501	Switch Assy, L	左手把开关总成	1	pcs	
3	Y-D0501-1	Brake Switch (With Cable)	刹车开关(含线)	1	pcs	
4	Y-D0501-2	Brake Switch, L	左手把开关组合	1	set	
5	Y-D0501-3	Lever, Brake, L (Chromeplate)	左手把柄(镀铬)	1	pcs	
6	Y-D0503	Switch Assy, R (Disc)	右手把开关总成(碟)	1	set	
7	MC-X040100	Grip, Handle, L (Normal)	左手把胶套 (普通款)	1	pcs	
7.1	MC-X040100B	Grip, Handle, L (Sport)	左手把胶套 (跑车款)	1	pcs	
8	MC-X040200	Grip, Handle, R (Normal)	右手把胶套 (普通款)	1	pcs	
8.1	MC-X040200B	Grip, Handle, R (Sport)	右手把胶套 (跑车款)	1	pcs	
9	MC-X040300B	Block, Balance (Sport)	平衡块 (跑车款)	2	pcs	
10	Y-C0603	Cable, Throttle	油门线	1	pcs	
11	Y-C060800	Cable, Brake RR, Assy	后刹车线组合	1	pcs	
12	Y-C060801	body, Brake Cable RR	后刹车线本体	1	pcs	
13	HY50QT-C260001	Spring	后刹车线弹簧	1	pcs	
14	MC-C120002D	Peg	12*20刹车线销柱	1	pcs	
15	MC-C120003B	Nut, Fix	M6*15C刹车线调节螺母	1	pcs	
16	MC-F030100B	Mirror, L	左后视镜	1	pcs	
17	MC-F030200B	Mirror, R	右后视镜	1	pcs	

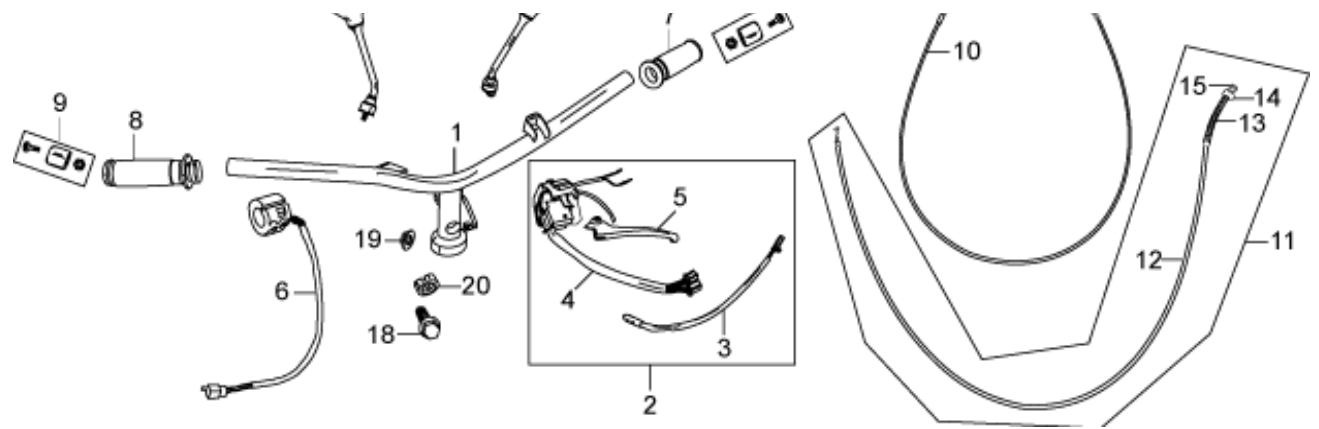


SPRINT

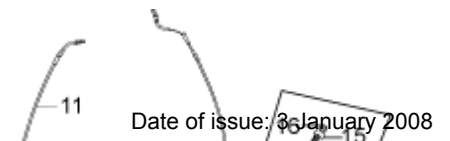
03-1-B OPERATING SYSTEM ASSY

(DISC BRAKE)

操作系统总成(碟刹)



Item	Parts no.	Description	Chinese	Qty	Unit	Remark
18	G5787-M10*1.25*50S	Bolt, M10*1.25*50	六角法兰面螺栓M10*1.25*50	1	pcs	
19	G6187-M10*1.25S	Nut, M10*1.25	自锁螺母M10*1.25	1	pcs	
20	MC-T040001S	Collar, Handle	半月键	1	pcs	

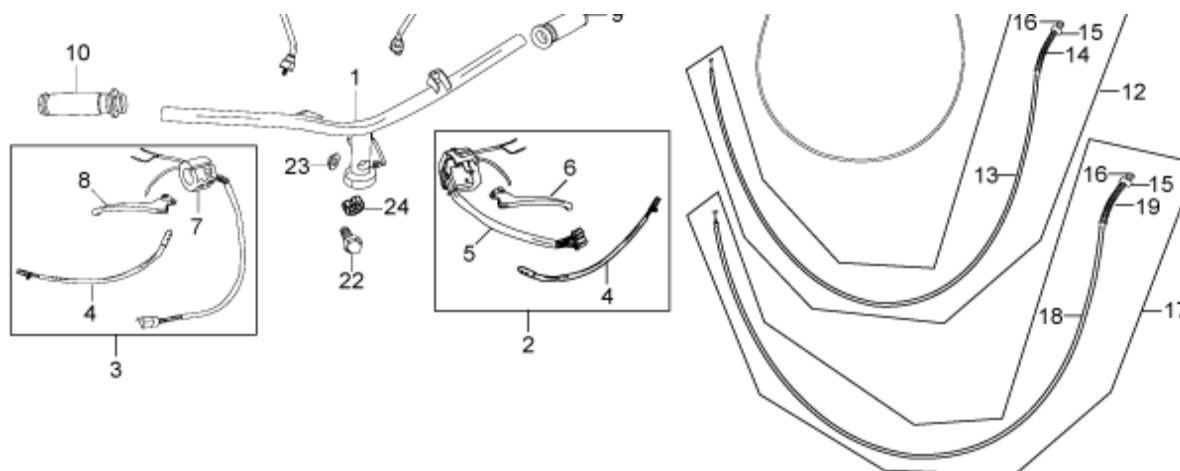


SPRINT

03-2-A OPERATING SYSTEM ASSY

(DRUM BRAKE)

操作系统总成(鼓刹)



Item	Parts no.	Description	Chinese	Qty	Unit	Remark
1	Y-T04	Handle Bar	方向把	1	pcs	
2	Y-D0501	Switch Assy, L	左手把开关总成	1	set	
3	Y-D0502	Switch Assy, R (Drum)	右手把开关总成 (鼓)	1	set	
4	Y-D0501-1	Brake Switch (With Cable)	刹车开关(含线)	2	pcs	
5	Y-D0501-2	Brake Switch, L	左手把开关组合	1	set	
6	Y-D0501-3	Lever, Brake, L (Chromeplate)	左手把柄(镀铬)	1	pcs	
7	Y-D0502-1	Brake Switch, R (Drum)	右手把开关组合 (鼓)	1	set	
8	Y-D0502-2	Lever, Brake, R (Drum / Chromeplate)	右手把柄 (鼓/镀铬)	1	pcs	
9	MC-X040100	Grip, Handle, L (Normal)	左手把胶套(普通款)	1	pcs	
10	MC-X040200	Grip, Handle, R (Normal)	右手把胶套(普通款)	1	pcs	
11	Y-C0603	Cable, Throttle	油门线	1	pcs	
12	Y-C060100	Cable, Brake FR (Drum)	前刹车线组合 (鼓)	1	pcs	
13	Y-C060101	Body, Brake Cable FR (Drum)	前刹车线本体	1	pcs	
14	Y-C060102	Spring	前刹车线弹簧	1	pcs	
15	MC-C120002D	Peg	刹车线销柱	2	pcs	
16	MC-C120003B	Nut, Fix	M6*15C刹车线调节螺母	2	pcs	
17	Y-C060800	Cable, Brake RR, Assy	后刹车线组合	1	pcs	
18	Y-C060801	body, Brake Cable RR	后刹车线本体	1	pcs	
19	HY50QT-C260001	Spring	后刹车线弹簧	1	pcs	
20	MC-F030100B	Mirror, L	左后视镜	1	pcs	

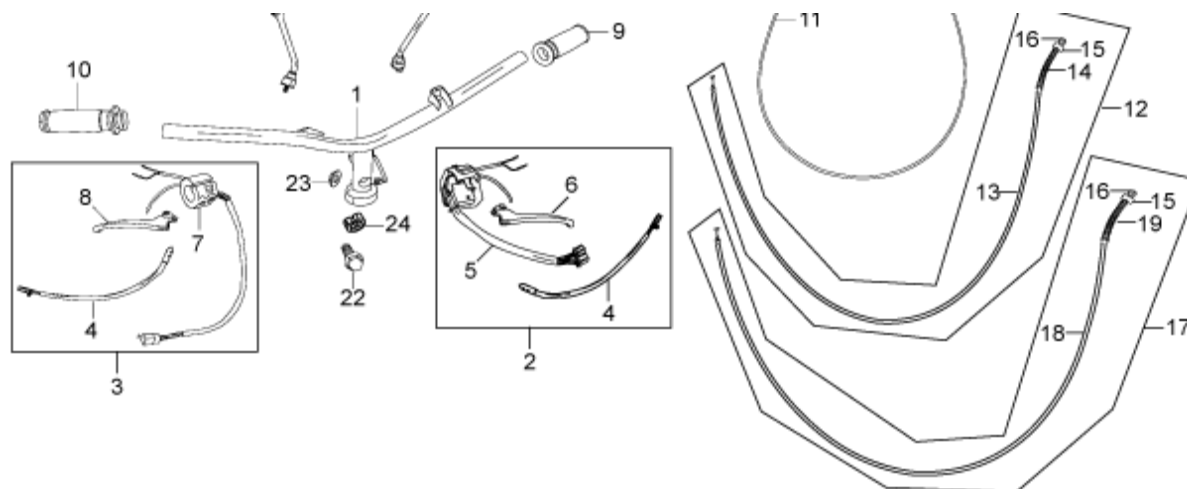


SPRINT

03-2-B OPERATING SYSTEM ASSY

(DRUM BRAKE)

操作系统总成(鼓刹)



Item	Parts no.	Description	Chinese	Qty	Unit	Remark
21	MC-F030200B	Mirror, R	右后视镜	1	pcs	
22	G5787-M10*1.25*50S	Bolt, M10*1.25*50	六角法兰面螺栓M10*1.25*50	1	pcs	
23	G6187-M10*1.25S	Nut, M10*1.25	自锁螺母M10*1.25	1	pcs	
24	MC-T040001S	Collar, Handle	半月键	1	pcs	

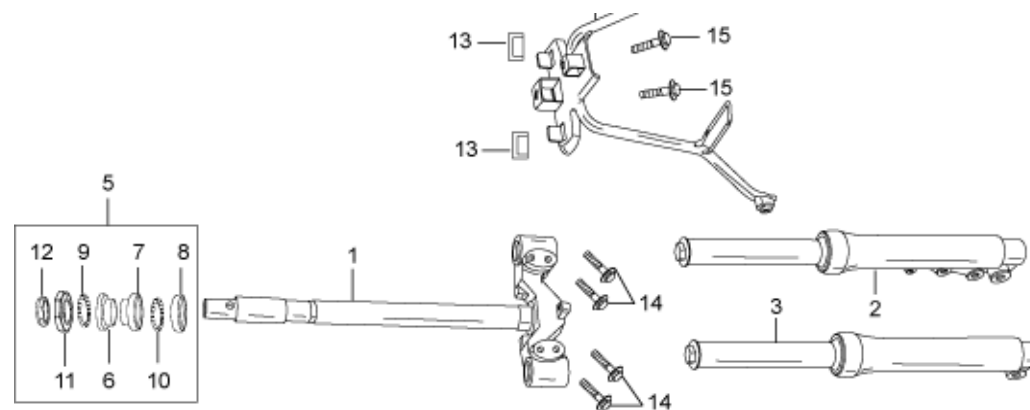


SPRINT

04-1 FRONT FORK

(DISC BRAKE)

方向柱(碟刹)



Item	Parts no.	Description	Chinese	Qty	Unit	Remark
1	Y-T1702A	Steering Stem (Disc)	方向柱	1	pcs	
2	Y-C0203A	Damper, L, FR, L=390mm (Disc)	左前直筒减震器 L=390mm (碟)	1	pcs	For 3.00-10 tyre
2.1	Y-C0203B	Damper, L, FR, L=405mm (Disc)	左前直筒减震器 L=405mm (碟)	1	pcs	For 3.50-10 & 100/60-12 tyre
3	Y-C0204A	Damper, R, FR, L=390mm (Disc)	右前直筒减震器 L=390mm (碟)	1	pcs	For 3.00-10 tyre
3.1	Y-C0204B	Damper, R, FR, L=405mm (Disc)	右前直筒减震器 L=405mm (碟)	1	pcs	For 3.50-10 & 100/60-12 tyre
4	Y-T1401A	Frame, Fender (Disc)	前泥板支架 (碟)	1	pcs	
5	Y-C01	Race & Ball set	全套钢碗	1	set	
6	Y-C01001	Race, Steering Top Ball	上珠碗	1	pcs	
7	Y-C01002	Race, Steering Bottom Ball	下珠碗	1	pcs	
8	Y-C01003	Race, Steering Bottom Cone	下珠顶	1	pcs	
9	Y-C01004	Top Ball Set Steel (25pcs)	上钢珠	1	pcs	
10	Y-C01005	Bottom Ball Set Steel (29pcs)	下钢珠	1	pcs	
11	Y-C01006	Race, Steering Top Cone	上珠顶	1	pcs	
12	Y-C01007	Nut, Steering Stem	锁紧螺母	1	pcs	
13	Y-X000014	Stopper, Fr. Fender	前泥板固定胶	2	pcs	
14	G9074.17-M8*42S	Bolt, M8*42	六角头+弹垫+平垫螺栓M8*42	4	pcs	
15	G5787-M6*16S	Bolt, M6*16	六角法兰面螺栓M6*16	2	pcs	

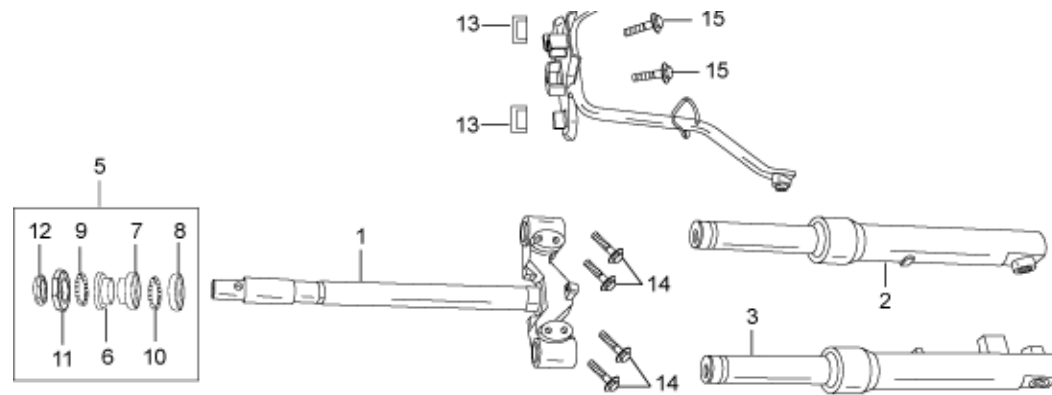


SPRINT

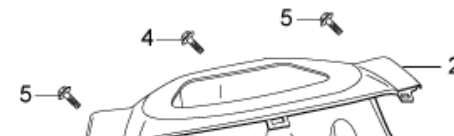
04-2 FRONT FORK

(DRUM BRAKE)

方向柱(鼓刹)



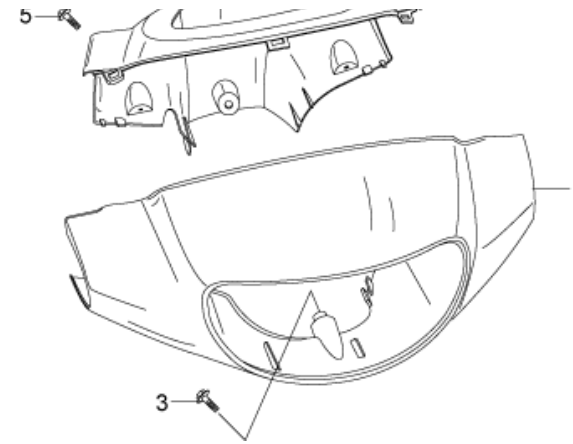
Item	Parts no.	Description	Chinese	Qty	Unit	Remark
1	Y-T1701	Steering Stem (Drum)	方向柱 (鼓)	1	pcs	
2	Y-C0201	Damper, L, FR (Drum)	左前直筒减震器 (鼓)	1	pcs	
3	Y-C0202	Damper, R, FR (Drum)	右前直筒减震器 (鼓)	1	pcs	
4	Y-T1401	Frame, Fender (Drum)	前泥板支架 (鼓)	1	pcs	
5	Y-C01	Race & Ball set	全套钢碗	1	set	
6	Y-C01001	Race, Steering Top Ball	上珠碗	1	pcs	
7	Y-C01002	Race, Steering Bottom Ball	下珠碗	1	pcs	
8	Y-C01003	Race, Steering Bottom Cone	下珠顶	1	pcs	
9	Y-C01004	Top Ball Set Steel (25pcs)	上钢珠	1	pcs	
10	Y-C01005	Bottom Ball Set Steel (29pcs)	下钢珠	1	pcs	
11	Y-C01006	Race, Steering Top Cone	上珠顶	1	pcs	
12	Y-C01007	Nut, Steering Stem	锁紧螺母	1	pcs	
13	Y-X000014	Stopper, Fr. Fender	前泥板固定胶	2	pcs	
14	G9074.17-M8*42S	Bolt, M8*42	六角头+弹垫+平垫螺栓M8*42	4	pcs	
15	G5787-M6*16S	Bolt, M6*16	六角法兰面螺栓M6*16	2	pcs	



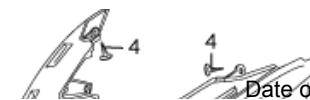
SPRINT

05 HEADLIGHT COVER

前大灯罩



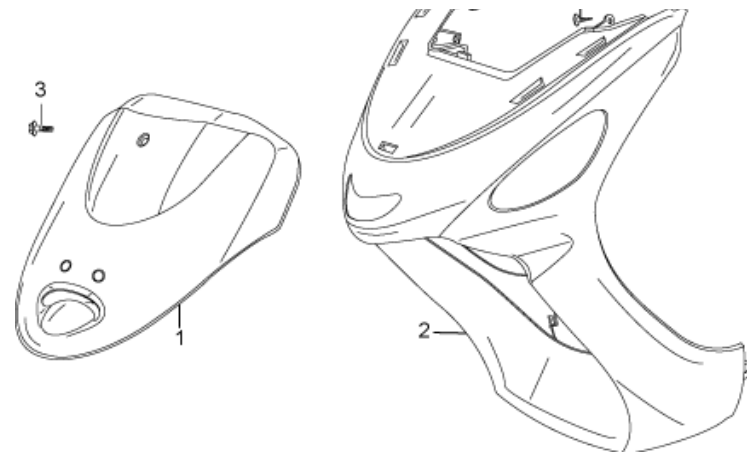
Item	Parts no.	Description	Chinese	Qty	Unit	Remark
1	Y-SA020006	Cover, Handle, FR (ABS)	前大灯罩 (ABS)	1	pcs	
2	Y-SP010002	Cover, Handle, RR (PP)	仪表罩 (PP)	1	pcs	
3	G9074.1-M5*25S	Screw, M5*25	十字盘头+小平垫螺钉M5*25	1	pcs	
4	G9074.6-M6*16S	Screw, M6*16	十字小盘头+大垫螺钉M6*16	1	pcs	
5	G845-ST4.2*12S	Screw, ST4.2*12	自攻螺钉ST4.2*12	2	pcs	



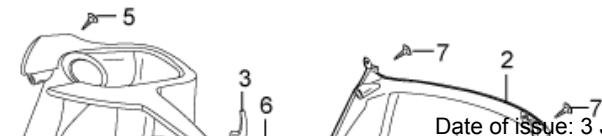
SPRINT

06 FRONT COVER

前面板



Item	Parts no.	Description	Chinese	Qty	Unit	Remark
1	Y-SA020007	Cover, FR (ABS)	前面板 (ABS)	1	pcs	
2	Y-SA010006	Body, FR (ABS)	前围 (ABS)	1	pcs	
2.1	Y-SP010006	Body, FR (PP)	前围 (PP)	1	pcs	
3	B170603F	Screw, M6*14	十字大盘头螺钉M6*14	1	pcs	
4	G845-ST4.2*12S	Screw, ST4.2*12	自攻螺钉ST4.2*12	2	pcs	

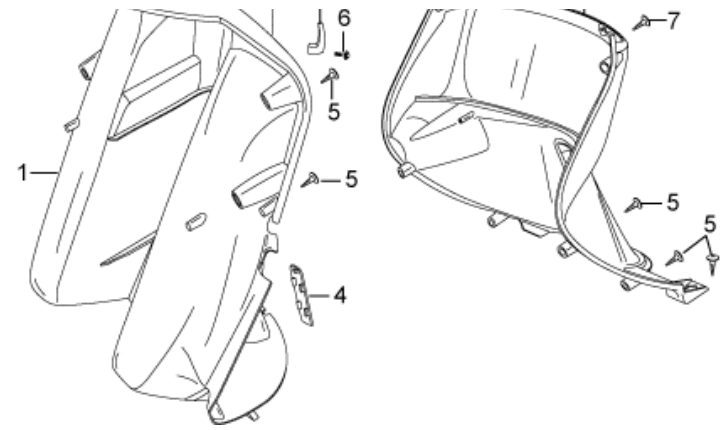


SPRINT

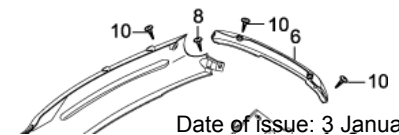
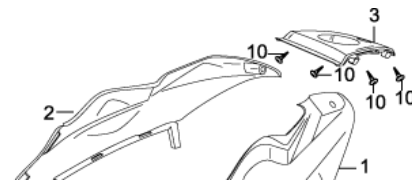
07 FRONT COVER BODY

(UPPER & LOWER)

前置物箱(上下部)



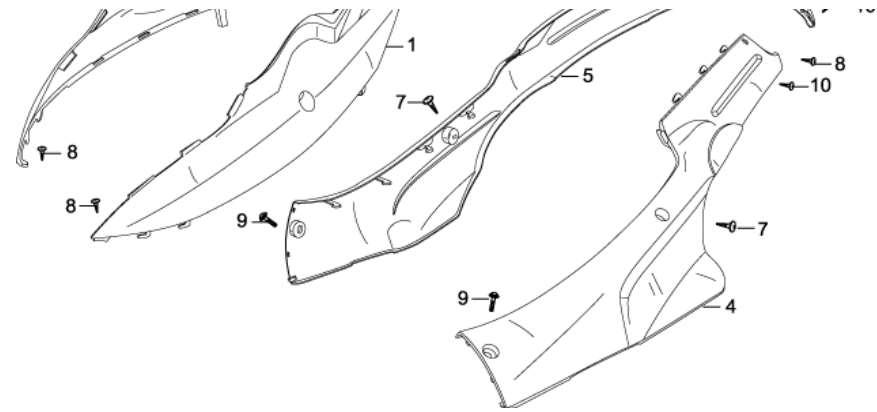
Item	Parts no.	Description	Chinese	Qty	Unit	Remark
1	Y-SP010003	Body, Upper, RR (PP)	前置物箱上部 (PP)	1	pcs	
2	Y-SP010004	Body, Lower, RR (PP)	前置物箱下部 (PP)	1	pcs	
3	Y-SP010021	Helmet Hook (PP)	小安全挂帽 (PP)	1	pcs	
4	Y-SP010005	Cover, Lower Body (PP)	检视盖 (PP)	1	pcs	
5	G845-ST4.2*16S	Screw, ST4.2*16	自攻螺钉ST4.2*16	10	pcs	
6	G9074.11-M6*16S	Screw, M6*16	十字槽凹穴六角头螺栓带平垫组合M6*16	1	pcs	
7	G845-ST4.2*12S	Screw, ST4.2*12	自攻螺钉ST4.2*12	4	pcs	



SPRINT

08 REAR COVER

侧盖, 边轨



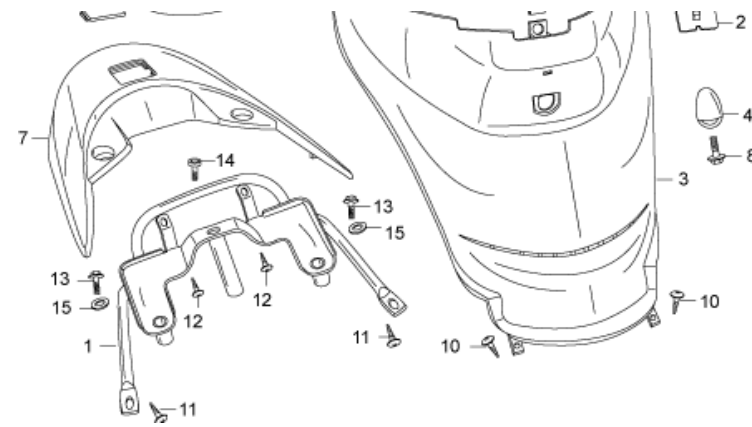
Item	Parts no.	Description	Chinese	Qty	Unit	Remark
1	Y-SA020002	Cover, L (ABS)	左侧盖 (ABS)	1	pcs	
2	Y-SA020003	Cover, R (ABS)	右侧盖 (ABS)	1	pcs	
3	Y-SA020004	Cover, Tail (ABS)	尾盖 (ABS)	1	pcs	
4	Y-SA010012	Cover, L, Lower (ABS)	左边轨 (ABS)	1	pcs	
4.1	Y-SP010012	Cover, L, Lower (PP)	左边轨 (PP)	1	pcs	
5	Y-SA010013	Cover, R, Lower (ABS)	右边轨 (ABS)	1	pcs	
5.1	Y-SP010013	Cover, R, Lower (PP)	右边轨 (PP)	1	pcs	
6	Y-SA010018	Cover, Tail, Lower (ABS)	尾板 (ABS)	1	pcs	
6.1	Y-SP010018	Cover, Tail, Lower (PP)	尾板 (PP)	1	pcs	
7	G845-ST4.8*16S	Screw, ST4.8*16	自攻螺钉ST4.8*16	2	pcs	
8	G845-ST4.2*16S	Screw, ST4.2*16	自攻螺钉ST4.2*16	4	pcs	
9	G5787-M6*12S	Bolt, M6*12	六角法兰面螺栓M6*12	2	pcs	
10	G845-ST4.2*12S	Screw, ST4.2*12	自攻螺钉ST4.2*12	8	pcs	



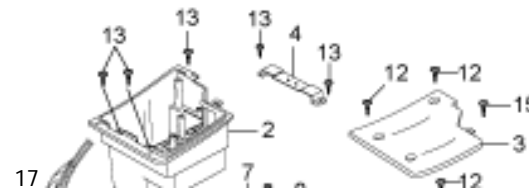
SPRINT

09 REAR WING, CENTER COVER

后扶手，中心盖



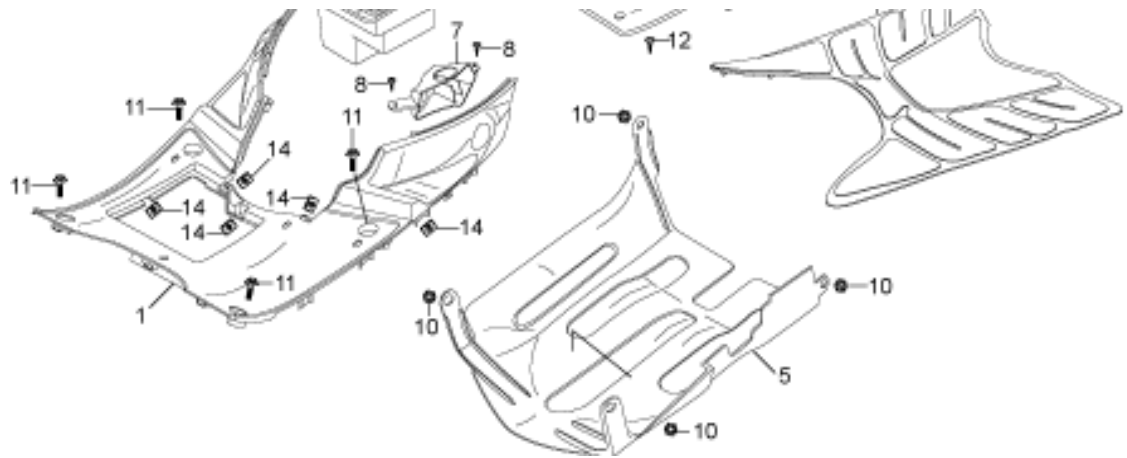
Item	Parts no.	Description	Chinese	Qty	Unit	Remark
1	Y-T21	Frame, Rear Wing	后扶手支架	1	pcs	
2	Y-T1403	Housing, Center Cover	安全挂帽固定片	1	pcs	
3	Y-SP010010	Center Cover (PP)	中央盖 (PP)	1	pcs	
4	Y-SP010011	Helmet Hook (PP)	大安全挂帽 (PP)	1	pcs	
5	Y-SP010017	Cover, Rear Wing (PP)	后扶手小盖 (PP)	1	pcs	
6	Y-SA010022	Cover, Rear Wing, Bottom (ABS)	后扶手下装饰盖 (ABS)	1	pcs	
7	Y-SA020005	Rear Wing (ABS)	后扶手装饰板 (ABS)	1	pcs	
8	G9074.6-M6*16S	Screw, M16*16	十字头六角+平垫螺钉M6*16	1	pcs	
9	B3006S	Clip, M6	夹母M6	1	pcs	
10	G845-ST4.8*16S	Screw, ST4.8*16	自攻螺钉ST4.8*16	2	pcs	
11	G845-ST4.2*16S	Screw, ST4.2*16	自攻螺钉ST4.2*16	2	pcs	
12	G845-ST4.2*12S	Screw, ST4.2*12	自攻螺钉ST4.2*12	2	pcs	
13	G70.1-M8*45S	Bolt, M8*45	圆头内六角螺栓M8*45	2	pcs	
14	G70.1-M8*80S	Bolt, M8*80	圆头内六角螺栓M8*80	1	pcs	
15	G97.1-8S	Washer φ8	平垫圈 φ8	2	pcs	



SPRINT

10 BOTTOM COVER

底罩



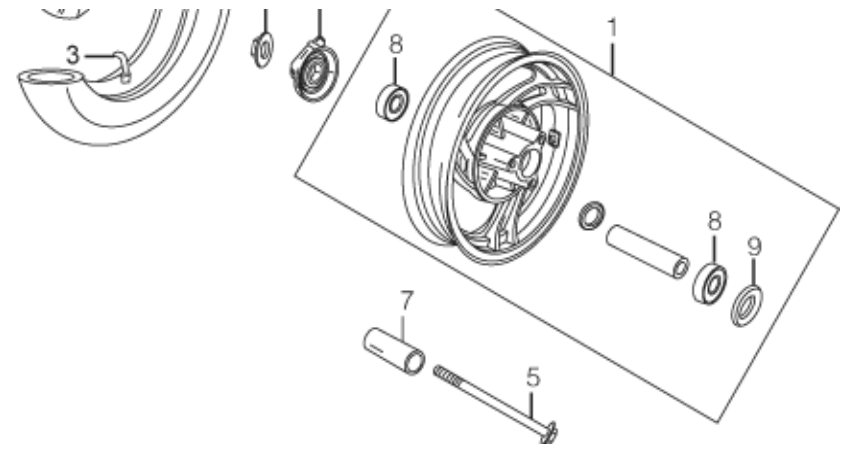
Item	Parts no.	Description	Chinese	Qty	Unit	Remark
1	Y-SP010007	Pedal, Foot (PP)	脚踏板 (PP)	1	pcs	
2	Y-SP010008	Box, Battery (PP)	电池盒 (PP)	1	pcs	
3	Y-SP010015	Cover, Battery (PP)	电池盒盖 (PP)	1	pcs	
4	Y-SP010020	Band, Battery (PP)	电池压板 (PP)	1	pcs	
5	Y-SP010014	Cover, Bottom (PP)	底罩 (PP)	1	pcs	
6	Y-X000001	Rubber, Foot Pedal	脚踏板胶皮	1	pcs	
7	Y-S010023	Fixing Skeleton, Air Intake	空气进气管安装盒	1	pcs	
8	G845-ST4.2*12S	Screw, ST4.2*12	自攻螺钉ST4.2*12	2	pcs	
10	G6177-M6S	Nut, M6	六角法兰面螺母M6	4	pcs	
11	G5787-M6*20S	Bolt, M6*20	六角法兰面螺栓M6*20	4	pcs	
12	G845-ST4.8*16S	Screw, ST4.8*16	自攻螺钉ST4.8*16	3	pcs	
13	G845-ST4.8*12S	Screw, ST4.8*12	自攻螺钉ST4.8*12	5	pcs	
14	B31S	Clip	自攻夹片	8	pcs	
15	G845-ST4.8*20S	Screw, ST4.8*20	自攻螺钉ST4.8*20	1	pcs	



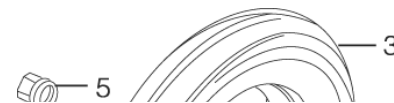
SPRINT

11A FRONT ALUMINIUM WHEEL (DISC BRAKE)

前铝轮(碟刹)



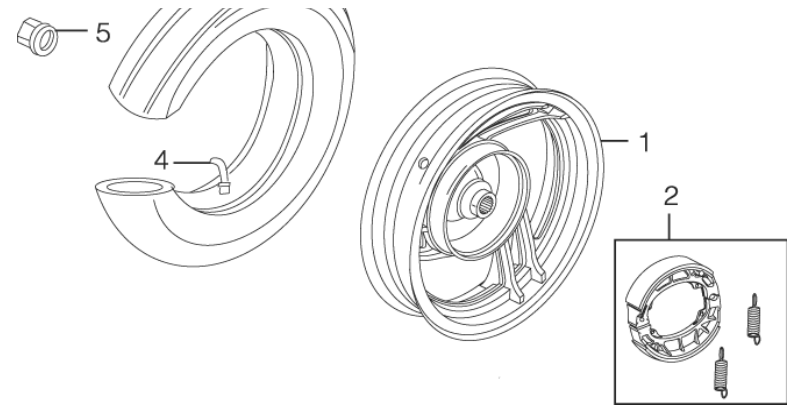
Item	Parts no.	Description	Chinese	Qty	Unit	Remark
1	MC-C040100B	Rim 10", FR (Aluminium)	前铝轮圈 MT2.15*10	1	pcs	
1.1	MC-C040100C	Rim 12", FR (Aluminium)	前铝轮圈 J2.50*12	1	pcs	
2	MC-C040900B	Tubeless Tyre (3.00-10)	真空胎 (3.00-10)	1	pcs	
2.1	MC-C040900C	Tubeless Tyre (3.50-10)	真空胎 (3.50-10)	1	pcs	
2.2	MC-C040900D	Tubeless Tyre (100/60-12)	真空胎 (100/60-12)	1	pcs	
3	MC-C041000	Jet, Tyre (With Cover)	气门嘴(含盖)	1	pcs	
4	Y-C11	Box Assy, Speedometer Gear	转速齿	1	pcs	
5	G5787-M10*1.25*195A	Bolt, M10*1.25*195	六角法兰面螺栓M10*1.25*195	1	pcs	
6	G6187-M10*1.25A	Nut, M10*1.25	自锁螺母M10*1.25	1	pcs	
7	Y-T440102A	Collar, $\phi 10 \times \phi 20 \times 20.5$	前轮轴套 $\phi 10 \times \phi 20 \times 20.5$	1	pcs	
8	MC-C040500B	Bearing, 6300-2RS	前轮轴承6300-2RS	2	pcs	For 10" Rim
8.1	MC-C040500C	Bearing, 6201-2RS	前轮轴承6201-2RS	2	pcs	For 12" Rim
9	MC-C040004B	Oil Seal, $\phi 20 \times \phi 35 \times 5$	油封 $\phi 20 \times \phi 35 \times 5$	1	pcs	For 10" and 12" Rim
9.1	MC-C040004C	Oil Seal, $\phi 20 \times \phi 32 \times 5$	油封 $\phi 20 \times \phi 32 \times 5$	1	pcs	For 12" Rim



SPRINT

12A REAR ALUMINIUM WHEEL (DRUM BRAKE)

后铝轮(鼓刹)



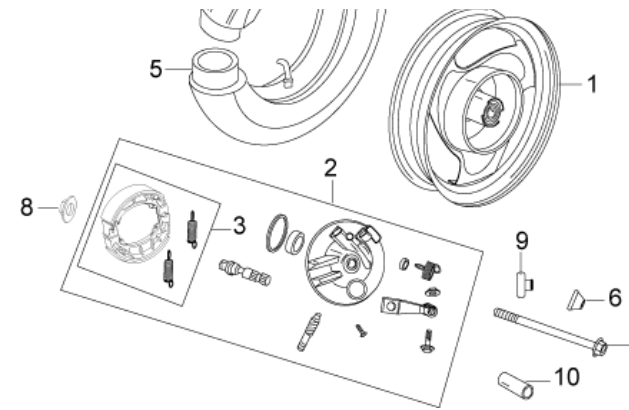
Item	Parts no.	Description	Chinese	Qty	Unit	Remark
1	MC-C050100B	Rim 10", RR (Aluminium)	后铝轮圈 MT2.15*10	1	pcs	
1.1	MC-C050100C	Rim 12", RR (Aluminium)	后铝轮圈 J2.50*12	1	pcs	
2	MC-C040300	Brake Shoe, φ110	刹车蹄块组合 φ110	1	pcs	
3	MC-C040900B	Tubeless Tyre (3.00-10)	真空胎 (3.00-10)	1	pcs	
3.1	MC-C040900C	Tubeless Tyre (3.50-10)	真空胎 (3.50-10)	1	pcs	
3.2	MC-C040900D	Tubeless Tyre (100/60-12)	真空胎 (100/60-12)	1	pcs	
4	MC-C041000	Jet, Tyre (With Cover)	气门嘴(含盖)	1	pcs	
5	G6187-M16A	Nut, M16	自锁螺母M16	1	pcs	



SPRINT

11B FRONT STEEL WHEEL (DRUM BRAKE)

前铁轮(鼓刹)



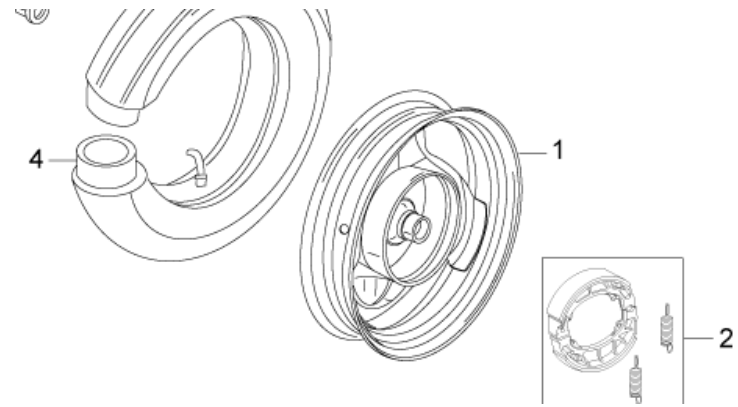
Item	Parts no.	Description	Chinese	Qty	Unit	Remark
1	MC-C040100	Rim 10", FR (Steel)	前铁轮圈 2.15*10	1	pcs	
2	MC-C040200	Panel, Front Hub	前刹车毂盖	1	set	
3	MC-C040300	Brake Shoe, φ110	刹车蹄块组合 φ110	1	pcs	
4	MC-C040700	Tyre (3.00-10), FR	前外胎 (3.00-10)	1	pcs	
5	MC-C040800	Tube (3.00-10), FR	前内胎 (3.00-10)	1	pcs	
6	Y-X000012	Rubber Axle	前轴护套	2	pcs	
7	G5787-M12*1.25*212A	Axle, Front Wheel, M12*1.25*212	六角法兰面螺栓M12*1.25*212	1	pcs	
8	G6187-M12*1.25A	Nut, M12*1.25	自锁螺母M12*1.25	1	pcs	
9	Y-T440103A	Washer, φ12*5	凸台垫圈 φ12*5	2	pcs	
10	Y-T440102AA	Collar, φ12.5*φ20*18	轴套 φ 12.5* φ 20*18	1	pcs	



SPRINT

12B REAR STEEL WHEEL (DRUM BRAKE)

后铁轮(鼓刹)



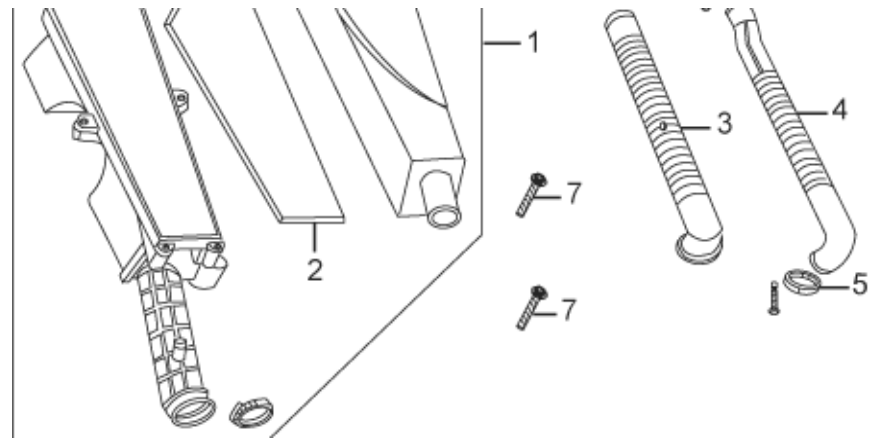
Item	Parts no.	Description	Chinese	Qty	Unit	Remark
1	MC-C050100	Rim 10", RR (Steel)	后铁轮圈 2.15*10	1	pcs	
2	MC-C040300	Brake Shoe, φ110	刹车蹄块组合 φ110	1	pcs	
3	MC-C040700	Tyre (3.00-10), RR	后外胎 (3.00-10)	1	pcs	
4	MC-C040800	Tube (3.00-10), RR	后内胎 (3.00-10)	1	pcs	
5	G6187-M16A	Nut, M16	自锁螺母M16	1	pcs	



SPRINT

13 AIR FILTER ASSY

空滤器总成



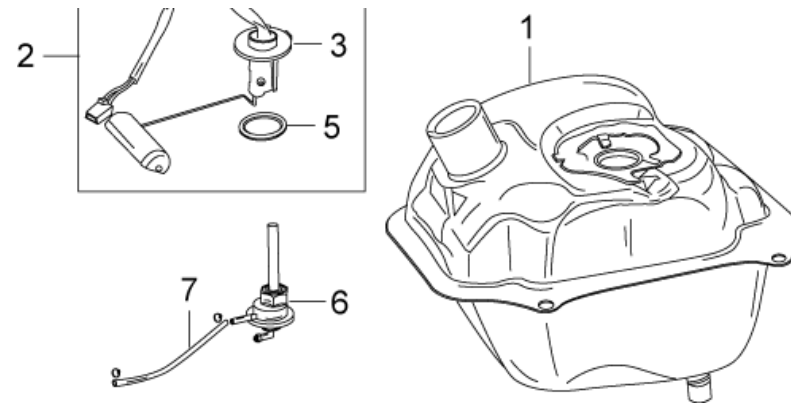
Item	Parts no.	Description	Chinese	Qty	Unit	Remark
1	HY50QT4-C030000	Air Filter Assy	空滤器总成	1	pcs	
2	HY50QT4-C030001	Air Filter Element	滤芯	1	pcs	
3	HY50QT4-X000009	Tube, Air Intake	空滤器进气管	1	pcs	
4	HY50QT4-X000010	Tube, Air Intake, Left Engine Cover	发动机左盖进气管	1	pcs	
5	HY50QT4-X000014	Band, Air Intake, Left Engine Cover	发动机左盖进气管卡箍	2	pcs	NO.1A 22-32
6	HY50QT4-X000013	Band, Tube, Air Intake	空滤器进气管卡箍	1	pcs	NO.1# 25-38
7	G5787-M6*30S	Bolt, M6*30	六角法兰面螺栓M6*30	2	pcs	



SPRINT

14 FUEL TANK

汽油箱



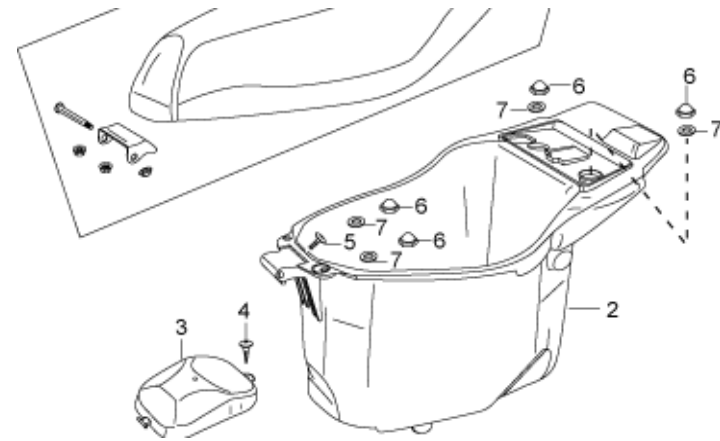
Item	Parts no.	Description	Chinese	Qty	Unit	Remark
1	Y-T08	Fuel Tank Assy	汽油箱	1	pcs	
2	Y-D0703	Sensor, Fuel Tank Assy	汽油传感器总成	1	set	
3	Y-D070301	Sensor, Fuel Tank	汽油传感器主体	1	pcs	
4	Y-D070302	Band	卡箍	1	pcs	
5	Y-D070303	Gasket	密封圈	1	pcs	
6	Y-C09	Cock, Fuel	放油开关	1	pcs	
7	MC-X010001G	Fuel Tube, $\phi 4.8 \times \phi 9 \times 290$ (with clips)	汽油管 $\phi 4.8 \times \phi 9 \times 290$ (含卡簧2个)	1	pcs	



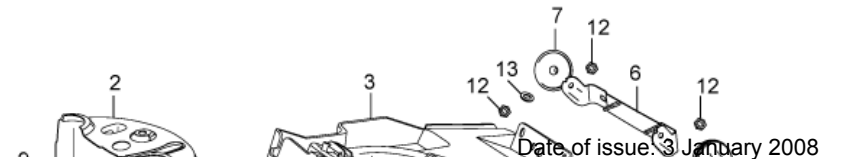
SPRINT

15 SEAT, STORAGE BOX

座垫, 置物箱



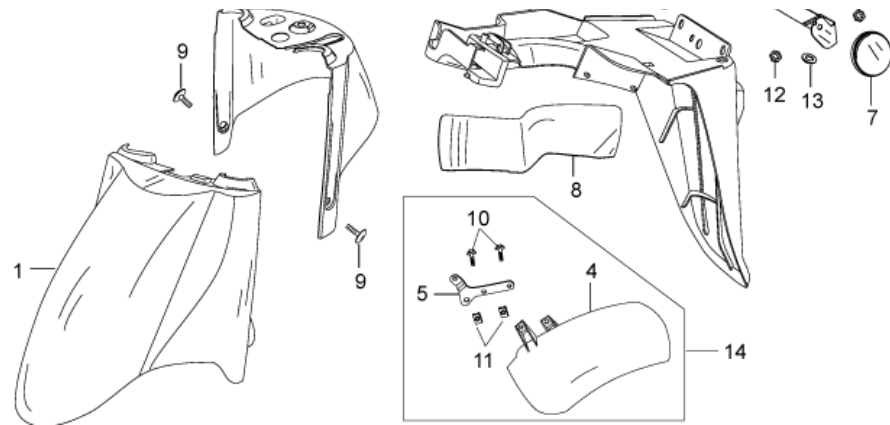
Item	Parts no.	Description	Chinese	Qty	Unit	Remark
1	Y-C16	Seat Assy (Normal)	座垫(普通款)	1	pcs	
1.1	Y-C16A	Seat Assy (Sport)	座垫(豪华款)	1	pcs	
2	Y-SP010016	Storage Box, Seat (PP)	置物箱 (PP)	1	pcs	
3	Y-SP010019	Cover, Inner, Seat (PP)	化油器维护盖 (PP)	1	pcs	
4	G845-ST4.8*16S	Screw, ST4.8*16	自攻螺钉ST4.8*16	1	pcs	
5	B180602S	Screw, M6*17	十字大盘头凸台螺钉M6*17	1	pcs	
6	G923-M6*17S	Nut, M6*17	盖形螺母M6*17	4	pcs	
7	G96-6S	Washer φ6	大垫圈 φ6	4	pcs	



SPRINT

16 FENDER ASSY

泥板总成



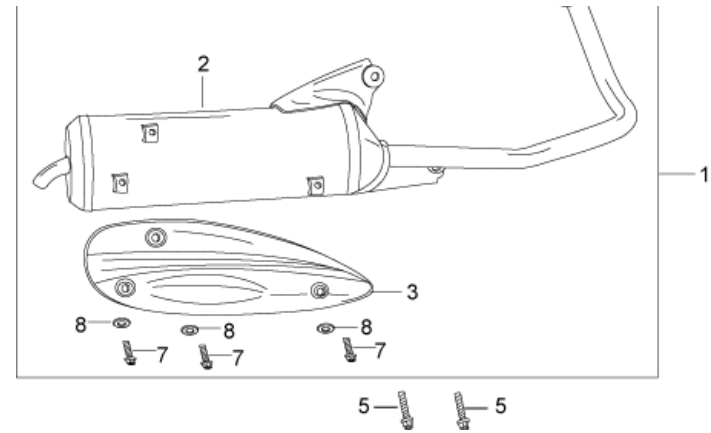
Item	Parts no.	Description	Chinese	Qty	Unit	Remark
1	Y-SA020001	Fender, FR (ABS)	前泥板前部 (ABS)	1	pcs	
2	Y-SP010001	Fender, Inner, FR (PP)	前泥板后部 (PP)	1	pcs	
3	Y-SP010009	Fender, RR (PP)	后挡泥板 (PP)	1	pcs	
4	HY50QT4-S060201	Wheel Fender, RR	后轮小挡泥板	1	pcs	
5	HY50QT4-S060202	Frame, Wheel Fender, RR	后轮小挡泥板支架	1	pcs	
6	Y-T20	Frame Rear Plate	后牌支架	1	pcs	
7	MC-D060900	Retroreflector, Side (Round)	反射片(圆)	2	pcs	
8	Y-X000011	Fender Plastic, Inner, RR	后挡水胶	1	pcs	
9	B170603S	Screw, M6*14	十字大盘头螺钉M6*14	2	pcs	
10	G5787-M6*12S	Bolt, M6*12	六角法兰面螺栓M6*12	2	pcs	
11	B3006S	Clip, M6	夹母M6	2	pcs	
12	G6177-M6S	Nut, M6	六角法兰面螺母M6	4	pcs	
13	G96-6S	Washer φ6	大垫圈 φ6	2	pcs	
14	HY50QT4-S060200	RR Wheel Fender, Assy	后轮小挡泥板组件	1	pcs	



SPRINT

17-1 EXHAUST (STEEL) ASSY

普通消声器总成



Item	Parts no.	Description	Chinese	Qty	Unit	Remark
1	HY50QT4-C100000	EX. Comp, Steel (with CC)	消声器总成(含触媒)	1	set	
1.1	HY50QT4-C100000-1	EX. Comp, Steel (without CC)	消声器总成(不含触媒)	1	set	
2	HY50QT4-C100100	EX. Body, Steel (with CC)	消声器主体(含触媒)	1	set	
2.1	HY50QT4-C100100-1	EX. Body, Steel (without CC)	消声器主体(不含触媒)	1	set	
3	HY50QT4-C100001	Cover, EX.	消声器护板	1	pcs	
4	HY50QT-C100004	Gasket, EX.	排气管垫圈	1	pcs	
5	G5787-M8*50S	Bolt, M8*50	六角法兰面螺栓M8*50	2	pcs	
6	G923-M6*35S	Nut, M6*35	盖形螺母M6*35	2	pcs	
7	G5787-M6*12S	Bolt, M6*12	六角法兰面螺栓M6*12	3	pcs	
8	G93-6S	Washer, φ6	弹簧垫片 φ6	3	pcs	

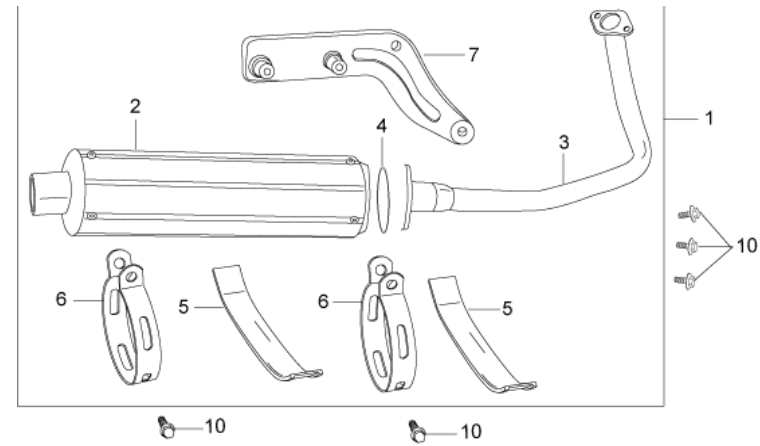
*ACCESSORIES



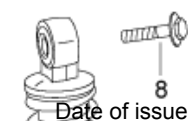
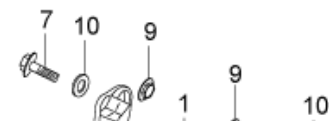
SPRINT

17-2 EXHAUST (ALUMINIUM) ASSY

铝筒消声器总成



Item	Parts no.	Description	Chinese	Qty	Unit	Remark
1	HY50QT4-C100000A	EX. Comp, Aluminium (with CC)	铝筒消声器总成(含触媒)	1	set	
1.1	HY50QT4-C100000A-1	EX. Comp, Aluminium (without CC)	铝筒消声器总成(不含触媒)	1	set	
2	HY50QT4-C100100A	Muffler, Aluminium (with CC)	铝筒消声器筒组合(含触媒)	1	pcs	
2.1	HY50QT4-C100100A-1	Muffler, Aluminium (without CC)	铝筒消声器筒组合(不含触媒)	1	pcs	
3	HY50QT4-C100200A-1	Exhaust Pipe	排气管组合	1	pcs	
4	HY50QT4-C100001A-1	Gasket	密封垫	1	pcs	
5	HY50QT4-C100002A-1	Pad	垫块	2	pcs	
6	HY50QT4-C100003A-1	Band, EX.	卡箍	2	pcs	
7	HY50QT4-C100300A-1	Fixture, EX.	消声器安装板	1	pcs	
8	HY50QT-C100004	Gasket, EX	排气管垫圈	1	pcs	
9	G923-M6*35S	Nut, M6*35	盖形螺母M6*35	2	pcs	
10	G5787-M8*20S	Bolt, M8*20	六角法兰面螺栓M8*20	5	pcs	
11	G5787-M8*45S	Bolt, M8*45	六角法兰面螺栓M8*45	2	pcs	

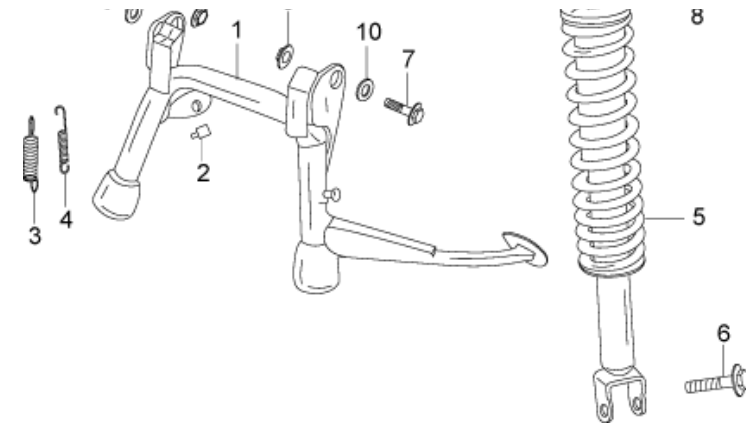


SPRINT

18 REAR SHOCK ABSORBER /

MAIN STAND

后减震器，主支架



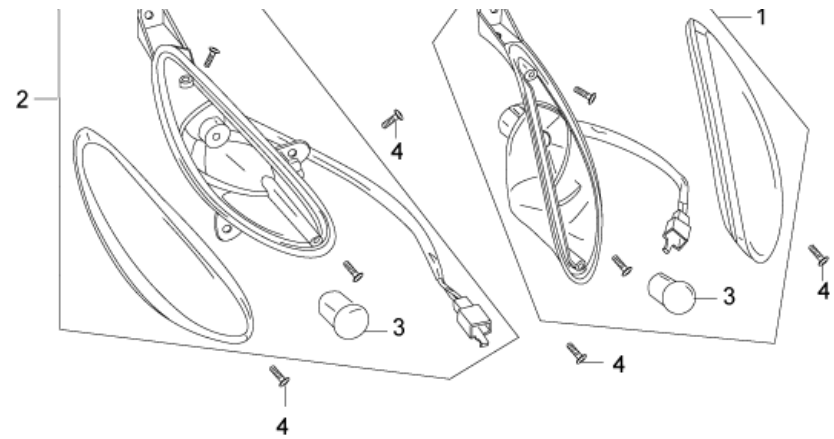
Item	Parts no.	Description	Chinese	Qty	Unit	Remark
1	Y-T02	Main Stand (For 3.00-10 tyre)	主支架(3.00-10轮圈)	1	pcs	
1.1	Y-T02A	Main Stand (For 3.50-10 & 100/60-12 tyre)	主支架(3.50-10&100/60-12轮圈)	1	pcs	
2	Y-X000004	Stopper, Main Stand	主支架缓冲胶	1	pcs	
3	Y-C080001	Spring, Outer, Main Stand	主支架外弹簧	1	pcs	
4	Y-C080002	Spring, Inner, Main Stand	主支架内弹簧	1	pcs	
5	Y-C0205	Cushion Assy, RR, L=305	后减震器 L=305	1	pcs	For 3.00-10 tyre
5.1	Y-C0205A	Cushion Assy, RR, L=330	后减震器 L=330	1	pcs	For 3.50-10 & 100/60-12 tyre
6	G5787-M8*32S	Bolt, M8*32	六角法兰面螺栓M8*32	1	pcs	
7	G5787-M10*1.25*45S	Bolt, M10*1.25*45	六角法兰面螺栓M10*1.25*45	2	pcs	
8	G5787-M10*1.25*70S	Bolt, M10*1.25*70	六角法兰面螺栓M10*1.25*70	1	pcs	
9	G6187-M10*1.25S	Nut, M10*1.25	自锁螺母M10*1.25	2	pcs	
10	HY50QT4-T020002	Collar, Main Stand, $\phi 10 \times \phi 14 \times 8$	主支架衬套 $\phi 10 \times \phi 14 \times 8$	2	pcs	



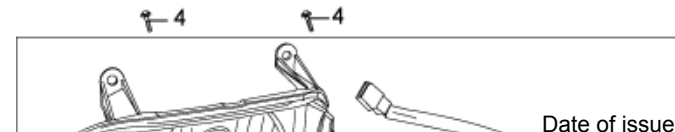
SPRINT

19 FRONT DIRECTION LAMP ASSY

前转向灯总成



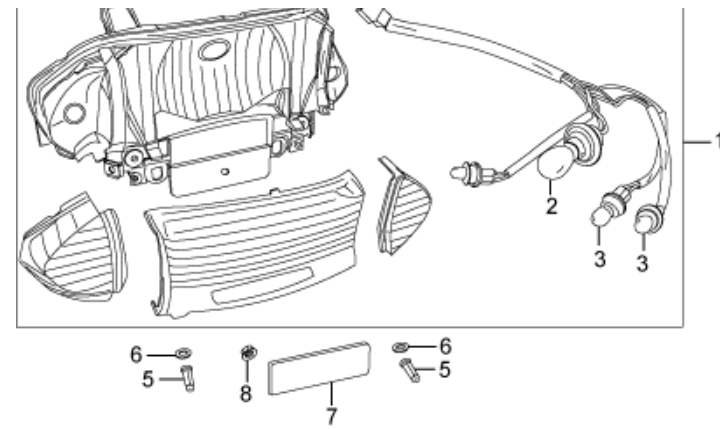
Item	Parts no.	Description	Chinese	Qty	Unit	Remark
1	Y-D0602	Direction Lamp, FR, L (White crust)	前左转向灯(白壳)	1	pcs	
1.1	Y-D0602A	Direction Lamp, FR, L (Amber crust)	前左转向灯(黄壳)	1	pcs	
2	Y-D0603	Direction Lamp, FR, R (White crust)	前右转向灯(白壳)	1	pcs	
2.1	Y-D0603A	Direction Lamp, FR, R (Amber crust)	前右转向灯(黄壳)	1	pcs	
3	Y-D060502	Bulb Direction Lamp (White)	转向灯灯泡(无色玻璃)	2	pcs	
3.1	Y-D060502A	Bulb Direction Lamp (Amber)	转向灯灯泡(黄色)	2	pcs	
4	G845-ST4.2*12S	Screw, ST4.2*12	自攻螺钉ST4.2*12	6	pcs	



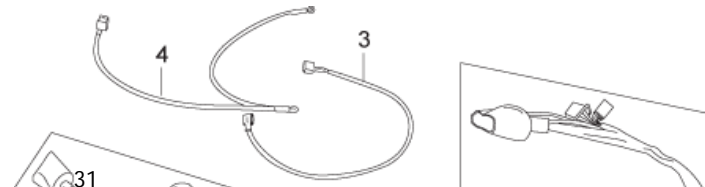
SPRINT

20 REAR LAMP ASSY

尾灯总成



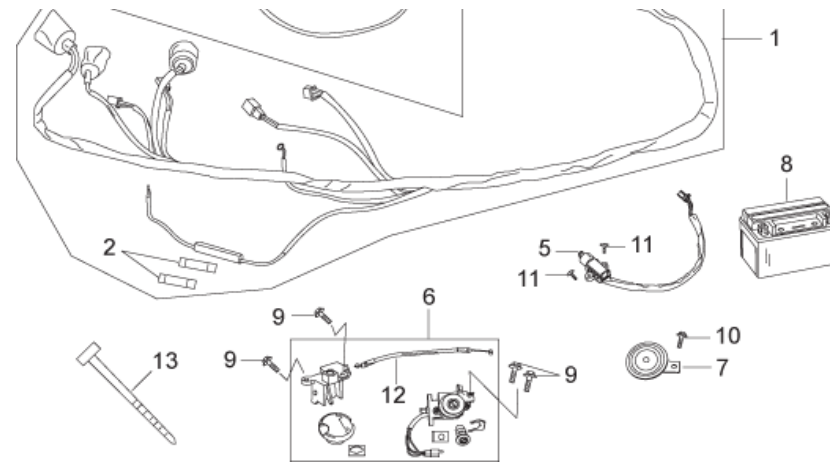
Item	Parts no.	Description	Chinese	Qty	Unit	Remark
1	Y-D0605	Lamp RR, Assy (Direction Lamp White crust)	尾灯总成(转向灯白壳)	1	set	
1.1	Y-D0605A	Lamp RR, Assy (Direction Lamp Amber crust)	尾灯总成(转向灯黄壳)	1	set	
2	Y-D060501	Bulb, Lamp RR	尾灯灯泡	1	pcs	
3	Y-D060502	Bulb, Direction Lamp (White)	转向灯灯泡(无色玻璃)	2	pcs	
3.1	Y-D060502A	Bulb, Direction Lamp (Amber)	转向灯灯泡(黄色)	2	pcs	
4	G5787-M6*12S	Bolt, M6*12	六角法兰面螺栓M6*12	2	pcs	
5	G923-M6*17S	Nut, M6*17	盖形螺母M6*17	2	pcs	
6	G96-6S	Washer, φ6	大垫圈 φ6	2	pcs	
7	MC-D061000	Retroreflector, RR (Rectangle)	后反射器(方)	1	pcs	
8	G6177-M6S	Nut, M6	六角法兰面螺母M6	1	pcs	



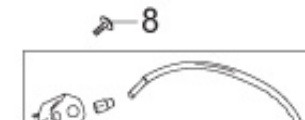
SPRINT

21 WIRE HARNESS ASSY

主电缆总成



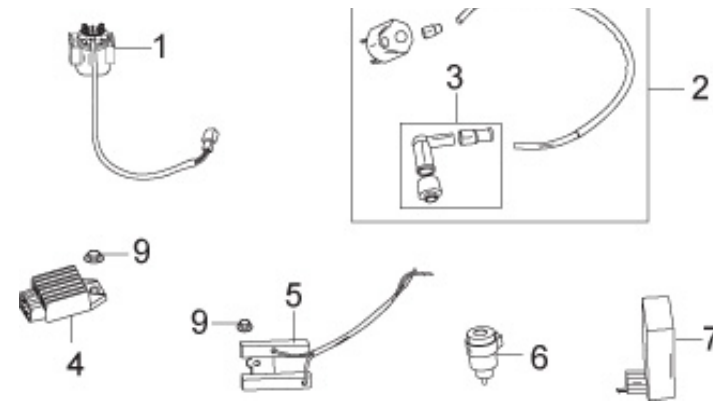
Item	Parts no.	Description	Chinese	Qty	Unit	Remark
1	Y-D0901	Harness, Wire (Without Water proof)	主电缆(不带边撑防水插)	1	pcs	
1.1	Y-D0901A	Harness, Wire (side stand kill switch, water proof)	主电缆(边撑防水插)	1	pcs	
2	Y-D090101	Fuse	保险管	2	pcs	
3	Y-D0902	Wire, Positive	正极线	1	pcs	
4	Y-D0903	Wire, Negative	负极线	1	pcs	
5	Y-D12	Switch, Prop Stand (Without Water proof))	边撑熄火开关(不带防水插)	1	pcs	
5.1	Y-D12A	Switch, Prop Stand (Water proof)	边撑熄火开关(防水插)	1	pcs	
6	Y-D0401	Key Set	套锁	1	pcs	
7	MC-D030000	Horn	喇叭	1	pcs	
8	MC-F010000	Battery, 12V5AH	电池12V 5A/h	1	pcs	
9	G5787-M6*16S	Bolt, M6*16	六角法兰面螺栓M6*16	4	pcs	
10	G5787-M6*12S	Bolt, M6*12	六角法兰面螺栓M6*12	1	pcs	
11	G9074.1-M5*20S	Screw,M5*20	十字盘头+弹簧+平垫螺钉M5*20	2	pcs	
12	Y-C0607	Cable, Lock	侧盖锁线	1	pcs	
13	MC-X000006	Tying Belt	扎带250mm	6	pcs	



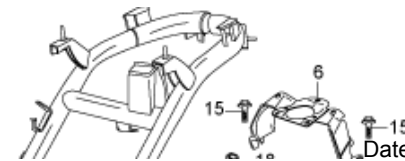
SPRINT

22 ELECTRICAL ASSY

电器件总成



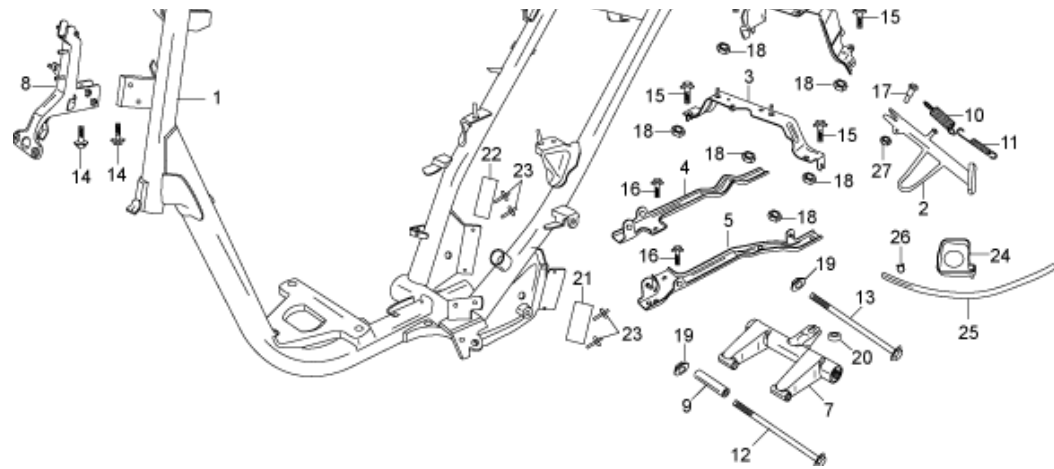
Item	Parts no.	Description	Chinese	Qty	Unit	Remark
1	HY50QT-D100100	Relay, Starter	启动继电器	1	pcs	
2	HY50QT-D100200	Ignition Coil (Radio noise resistance wire)	高压包(阻尼线)	1	pcs	
2.1	HY50QT-D100200A	Ignition Coil (Copper wire)	高压包(铜芯线)	1	pcs	
2.2	HY50QT-D330000B	Larger Ignition Coil (Copper wire)	大高压包(铜芯线)	1	pcs	
3	HY50QT-D100203	Spark plug cap, Ignition Coil	高压包火花塞帽	1	pcs	含防尘套
3.1	HY50QT-D330300B	Spark plug cap, Larger Ignition Coil	大高压包火花塞帽	1	pcs	含防尘套
4	HY50QT-D100300	Regulator	(半波)整流器	1	pcs	
5	HY50QT-D100700	Resistor	电阻器	1	pcs	
6	HY50QT-D100500A	Relay, Winker	闪光器(单灯倍闪)	1	pcs	
7	HY50QT4-D100400	CDI (Unrestricted speed)	CDI (非限速)	1	pcs	
7.1	HY50QT4-D100400A	CDI (Restricted speed)	CDI (限速)	1	pcs	
8	G9074.1-M6*20S	Screw, M6*20	十字盘头+平垫螺钉M6*20	1	pcs	
9	G6177-M6S	Nut, M6	六角法兰面螺母M6	2	pcs	



SPRINT

23-A MAIN FRAME, FRAME PARTS

车架, 铁件

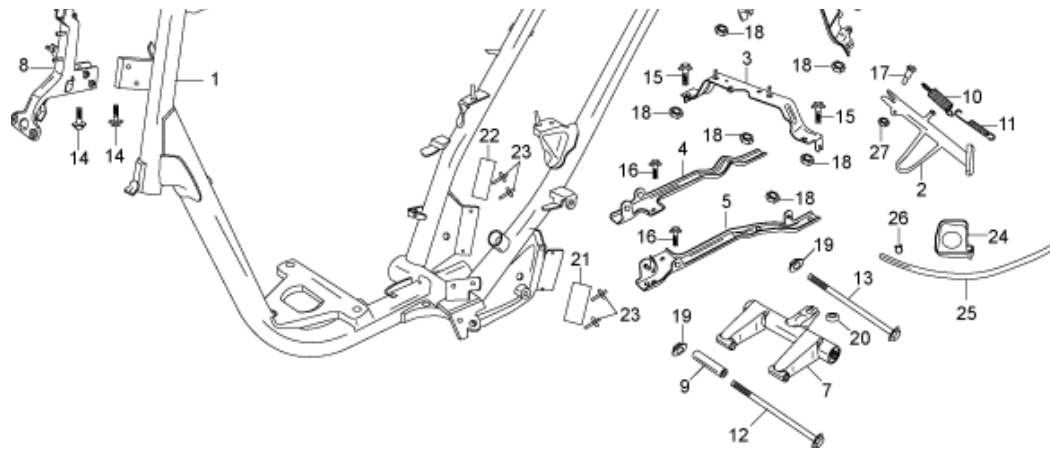


Item	Parts no.	Description	Chinese	Qty	Unit	Remark
1	Y-T01	Frame Assy, Body	车架	1	pcs	
2	Y-T03	Prop Stand	侧支架	1	pcs	
3	Y-T1402	Frame, Seat Lock	座垫锁板	1	pcs	
4	Y-T1404	Frame, L	左边条	1	pcs	
5	Y-T1405	Frame, R	右边条	1	pcs	
6	Y-T1406	Frame, Fuel Tank	油箱压板	1	pcs	
7	Y-T15	Engine Frame	动力吊架	1	pcs	
8	Y-T18	Frame, Horn	喇叭支架	1	pcs	
9	HY50QT4-T150001	Collar, 10.5*16*75	吊架隔套φ10.5*φ16*75	1	pcs	
10	Y-C080003	Spring, Prop Stand, Outer	侧支架外弹簧	1	pcs	
11	Y-C080004	Spring, Prop Stand, Inner	侧支架内弹簧	1	pcs	
12	G5787-M10*1.25*205S	Bolt, M10*1.25*205	六角法兰面螺栓M10*1.25*205	1	pcs	
13	G5787-M10*1.25*240S	Bolt, M10*1.25*240	六角法兰面螺栓M10*1.25*240	1	pcs	
14	G5787-M6*30S	Bolt, M6*30	六角法兰面螺栓M6*30	2	pcs	
15	G5787-M6*16S	Bolt, M6*16	六角法兰面螺栓M6*16	4	pcs	
16	G5787-M6*12S	Bolt, M6*12	六角法兰面螺栓M6*12	2	pcs	
17	Y-T030001S	Bolt, M8*22	六角头轴阶螺栓M8*22	1	pcs	

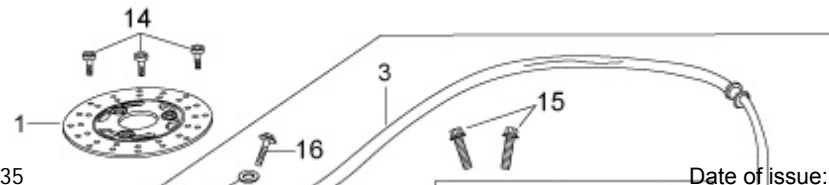
SPRINT

23-B MAIN FRAME, FRAME PARTS

车架, 铁件



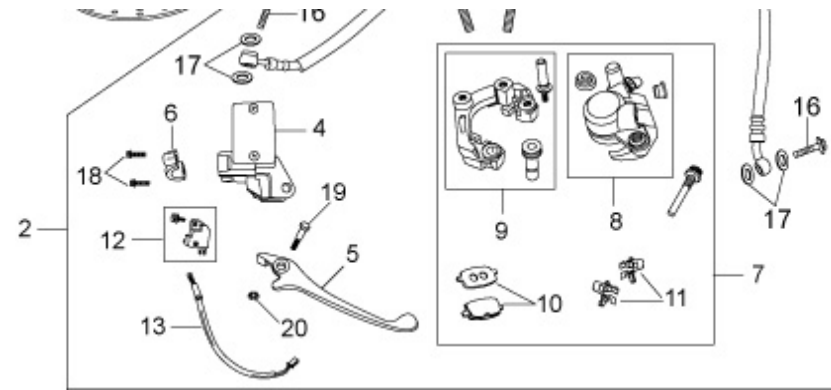
Item	Parts no.	Description	Chinese	Qty	Unit	Remark
18	G6177-M6S	Nut, M6	六角法兰面螺母M6	6	pcs	
19	G6187-M10*1.25S	Nut, M10*1.25	自锁螺母M10*1.25	2	pcs	
20	Y-X000005	Stopper, Engine Frame	动力吊架缓冲胶	1	pcs	
21	Y-C1502	Anti-Tampering Plate	防伪牌	1	pcs	
22	Y-C1501	Manufacturer Plate	铭牌	1	pcs	
23	G12618-3.2*10A	Pin, $\phi 3.2*10$	抽芯铆钉 $\phi 3.2*10$	4	pcs	
24	Y-X000015	Plastic	溢流胶	1	pcs	
25	Y-X000016	Tube, Overflow	溢流管	1	pcs	
26	Y-X000016-1	Band, Overflow Tube	溢流管卡箍	1	pcs	
27	G6172-M8S	Nut, M8	六角薄螺母M8	1	pcs	



SPRINT

24 FRONT DISC BRAKE ASSY

前制动总成



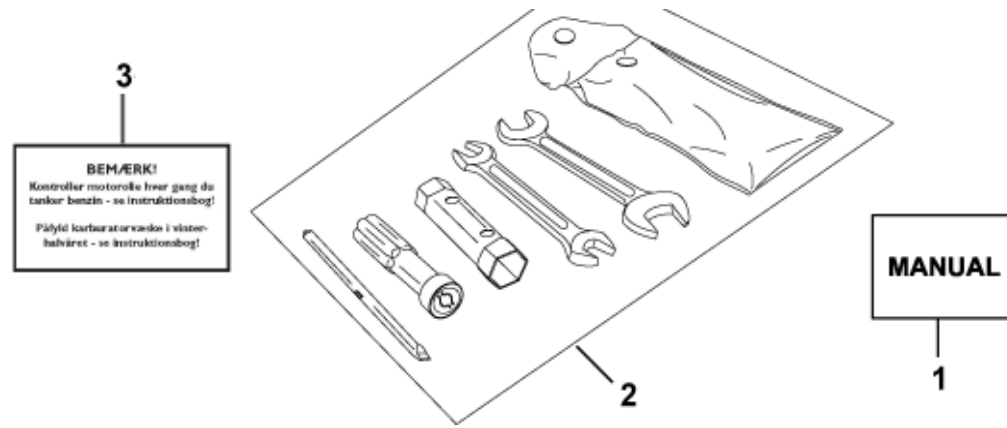
Item	Parts no.	Description	Chinese	Qty	Unit	Remark
1	MC-C030001	Disc	前制动盘	1	set	
2	Y-C120000	Front Disc Brake Assy	前制动器总成	1	pcs	
3	Y-C120201	Brake Tube	前制动油管	1	pcs	
4	Y-C120101	Body, Brake Pump	前制动总泵本体	1	pcs	
5	Y-C120102	Brake Lever, R (Chromeplate)	前制动手柄(镀铬)	1	pcs	
6	Y-C120103	Cover, Half	夹码	1	pcs	
7	MC-C030300	Clamper Assy, Brake	前制动钳组件	1	pcs	
8	MC-C030301	Body, Brake Clamper	前制动钳本体	1	pcs	
9	MC-C030302	Frame, Brake Clamper	前制动钳支架	1	pcs	
10	MC-C030303	Pad, Disc Brake	制动蹄块	2	pcs	
11	MC-C030304	Clip, Brake	簧片	2	pcs	
12	Y-C120400	Brake Switch, FR	前制动开关	1	pcs	
13	Y-C120401	Wire, Brake Switch, FR	前制动开关线	1	pcs	
14	Y-C120001-3	Bolt, M8*25	碟刹盘专用螺栓M8*25	3	pcs	
15	G5789-M8*30S	Bolt, M8*30	六角法兰面螺栓M8*30	2	pcs	
16	Y-C120202	Bolt, Brake Tube	油管接头螺栓	2	pcs	
17	Y-C120203	Washer, Brake Tube	油管接头垫片	4	pcs	
18	G5787-M6*22S	Bolt, M6*22	六角头法兰面螺栓M6*22	2	pcs	
19	Y-C120104F	Bolt, M6*φ7.8*17*15	六角头轴阶螺栓M6*φ7.8*17*15	1	pcs	
20	G6186-M6F	Nut, M6	六角锁紧螺母M6	1	pcs	



SPRINT

25 TOOLS SET, MANUAL

随车工具，用户手册



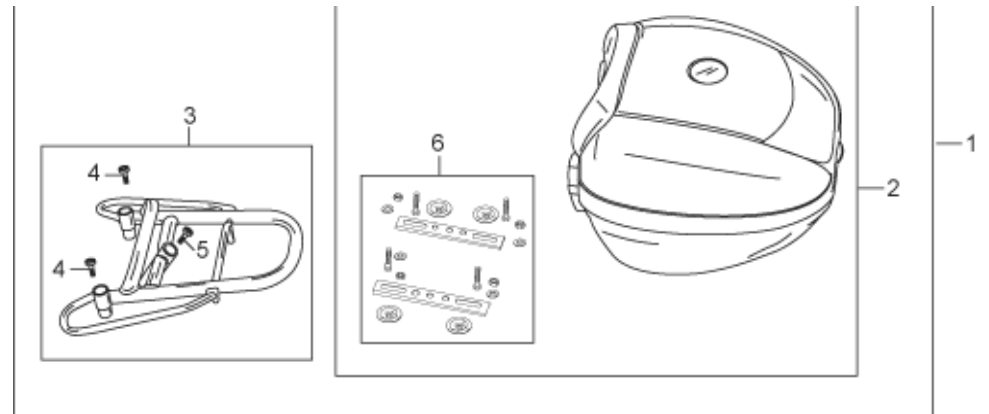
Item	Parts no.	Description	Chinese	Qty	Unit	Remark
1	Y-F06	User Manual	用户手册	1	pcs	
2	MC-F020000	Tools Set (4 pcs)	随车工具(4件)	1	PCS	
3	MC-4SL-DK	4T-Service Label	丹麦四冲售后标签	1	PCS	

*ACCESSORIES

SPRINT

26-1 REAR STORAGE BOX (SMALL)

小尾箱



Item	Parts no.	Description	Chinese	Qty	Unit	Remark
1	Y-FT-080000	Small Rear Storage Box, Assy (With Plank)	小尾箱与货架组合	1	set	
2	Y-F08	Small Rear Storage Box (With Fixity)	小尾箱(含固定件)	1	set	
3	Y-T22	Plank, RR Storage Box (With Bolt)	尾箱支架 (含螺栓)	1	pcs	
4	G70.1-M8*45S	Bolt, M8*45	内六角螺栓M8*45	2	pcs	
5	G70.1-M8*80S	Bolt, M8*80	内六角螺栓M8*80	1	pcs	
6	Y-F0801	Fixity, RR Storage	小尾箱固定件	1	set	

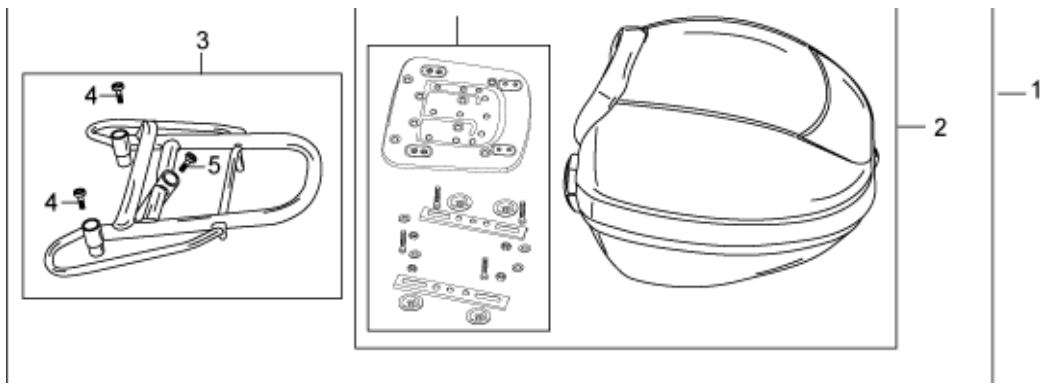
*ACCESSORIES



SPRINT

26-2 REAR STORAGE BOX (LARGE)

大尾箱



Item	Parts no.	Description	Chinese	Qty	Unit	Remark
1	Y-FT-080000A	Large Rear Storage Box, Assy (With Plank)	大尾箱与货架组合	1	set	
2	Y-F08A	Large Rear Storage Box (With Fixity)	大尾箱(含固定件)	1	set	
3	Y-T22	Plank, RR Storage Box (With Bolt)	尾箱支架 (含螺栓)	1	pcs	
4	G70.1-M8*45S	Bolt, M8*45	内六角螺栓M8*45	2	pcs	
5	G70.1-M8*80S	Bolt, M8*80	内六角螺栓M8*80	1	pcs	
6	Y-F0802	Fixity, RR Storage	大尾箱固定件	1	pcs	

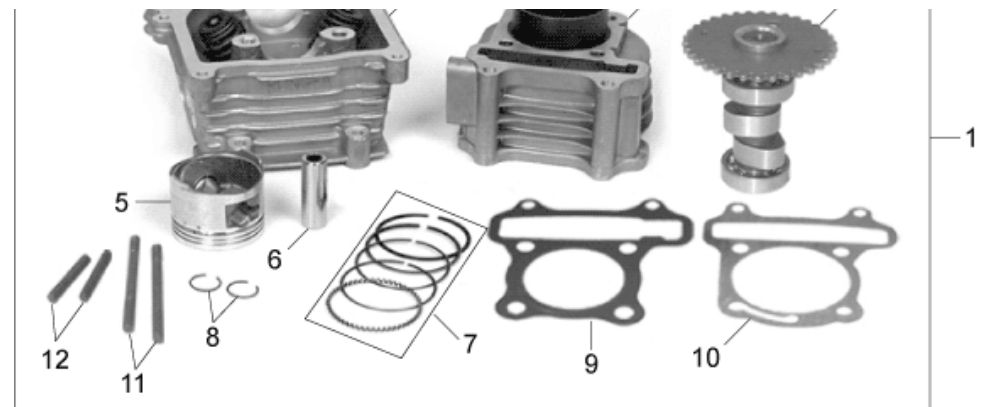
*ACCESSORIES



SPRINT

27 70CC BIG BORE KIT

70cc气缸总成



Item	Parts no.	Description	Chinese	Qty	Unit	Remark
1	139.04.001.70	70cc Big Bore Kit	气缸总成(70cc)	1	pcs	
2	139.04.200.70	Cylinder Head Assy (70cc)	气缸头组合(70cc)	1	pcs	
3	139.04.100.70	Cylinder Assy (70cc)	气缸体组合(70cc)	1	pcs	
4	139.02.200.70	Camshaft Comp (70cc)	凸轮轴总成(70cc)	1	pcs	
5	139.01.301.70	Piston (70cc)	活塞(70cc)	1	pcs	
6	139.01.307.70	Pin Piston (70cc)	活塞销(70cc)	1	pcs	
7	139.01.302-306.70	Ring, Piston (70cc)	活塞环组合(70cc)	1	pcs	
8	139.01.308	Piston Pin Clip	活塞销卡环	2	pcs	
9	139.04.401.70	Gasket, Cylinder Head (70cc)	气缸头垫片(70cc)	1	pcs	
10	139.12.304	Gasket, Cylinder	气缸体纸垫	1	pcs	
11	G900-M6*63S	Carburetor Bolt, M6*63	化油器双头螺栓M6*63	2	pcs	
12	G900-M6*32S	Exhaust Muffler Bolt, M6*32	排气管双头螺栓M6*32	2	pcs	

*ACCESSORIES



SPRINT

28 ALARM ASSY

防盗器总成



Item	Parts no.	Description	Chinese	Qty	Unit	Remark
1	HY50QT-D080000	Alarm Assy (Remote start)	防盗器总成(电启动)	1	pcs	
1.1	HY50QT-D080000A	Alarm Assy (Without Remote start)	防盗器总成(不带电启动)	1	pcs	