



GENERIC



Race 50

DESIGN  **AUSTRIA**

Reservedele



SCANDINAVIAN MACHINERY IMPORT ApS

Holtvej 8-10, Høruphav, 6470 Sydals

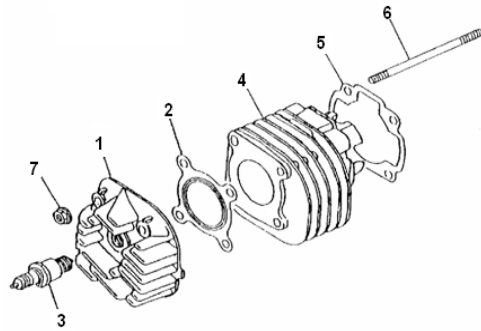
Telefon: +45 73 15 11 00

Fax: +45 73 15 11 01

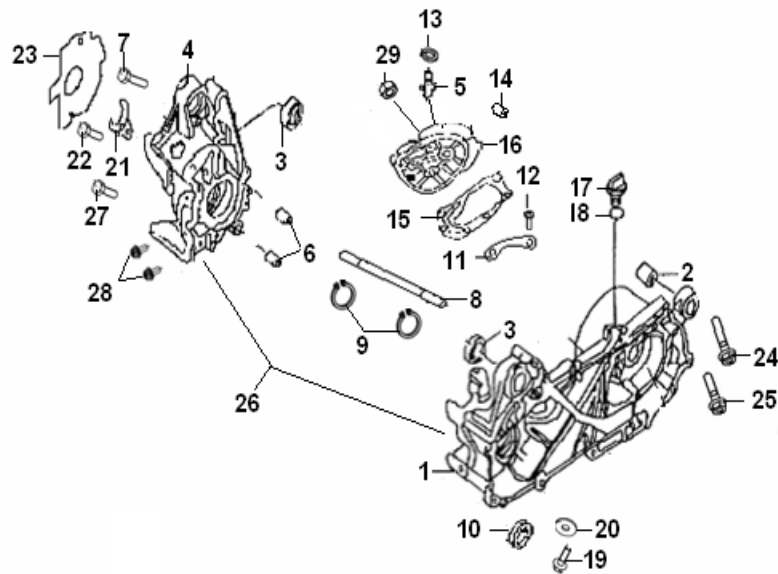
E-mail: info@scanmi.dk · www.scanmi.dk

CVR: 27 73 31 07

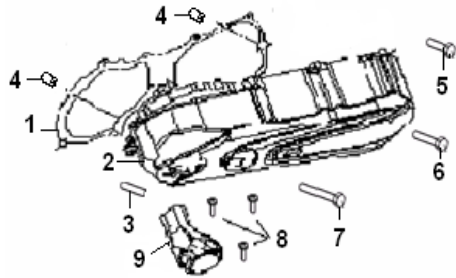
November 2011



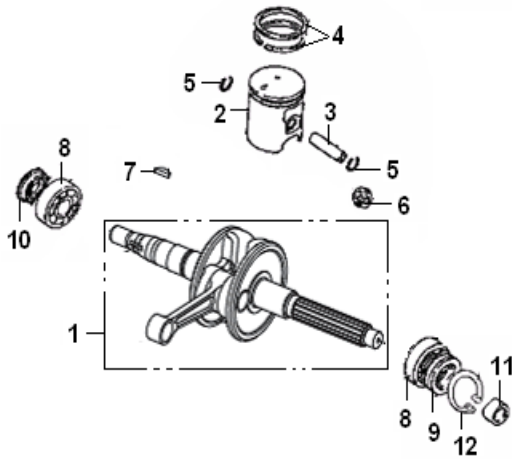
1			
NO	QJ CODE	DESCRIPTION	QTY
1	109061160000	HEAD, CYLINDER (EU I)	1
2	109071160000	GASKET, CYLINDER HEAD	1
3	299072090030	SPARK PLUG (EU I)	1
4	139031160011	CYLINDER (EU I)	1
5	139021160030	GASKET, CYLINDER	1
6	15910116001X	STUD BOLT	4
7	27007208001X	NUT	4



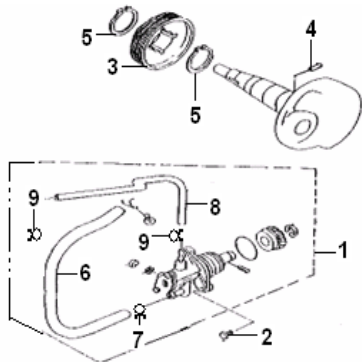
2			
NO	QJ CODE	DESCRIPTION	QTY
1	159041070000	CRANKCASE,LH	1
2	150012080000	BUSH,ENGINE MOUNTING	1
3	B12016000300	BEARING 6003-2RS	2
4	159051070000	CRANKCASE,RH	1
5	250012080000	SHAFT	1
6	150042080000	DOWEL PIN 12X16	2
7	B01070603563	PAN HEAD SCREW M6X35	4
8	15001107001X	AXLE,engine mount	1
9	B08010001701	CIRCLIP 17	2
10	150032080000	bush	1
11	150121070000	BEARING HOLDER	1
12	B01070601263	PAN HEAD SCREW M6X12	2
13	160223070000	O RING	1
14	150042080000	DOWEL PIN 12X16	2
15	240021070030	GASKET, GEAR BOX	1
16	240011070000	COVER, GEAR BOX	1
17	220032080000	OIL PLUG	1
18	220042080000	O RING	1
19	22007208002X	FLANGE BOLT M8X16	1
20	210013050000	PLATE WASHER 8	1
21	150102080000	OIL SEAL HOLDER	1
22	B01070601263	PAN HEAD SCREW M6X12	1
23	150062080030	GASKET	1
24	B01070805563	SCREW M8X55	2
25	B01070805063	SCREW M8X50	5
26	15001107001Z	CRANKCASE	1
27	B01070602563	SCREW	2
28	B02040501463	SCREW	2



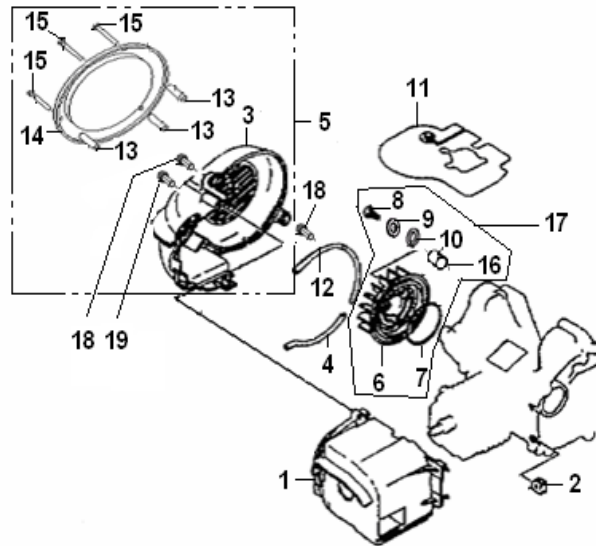
29	B04170800052	NUT	1
3			
NO	QJ CODE	DESCRIPTION	QTY
1	169072080030	GASKET,L CRANKCASE	1
2	169021070053	L CRANKCASE COVER	1
3	150092080000	IDLE GEAR	1
4	150083070000	DOWEL PIN	2
5	B01070602564	PAN HEAD SCREW M6X25	5
6	B01070603564	PAN HEAD SCREW M6X35	1
7	B01070606564	PAN HEAD SCREW M6X65	1
8	B05003501302	SCREW ST3.5X14	3
9	160021070000	AIR DUCT-INLET	1



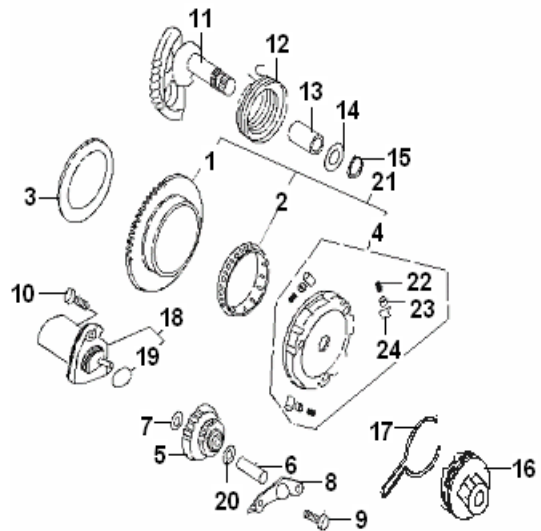
4			
NO	QJ CODE	DESCRIPTION	QTY
1	179011160010	CRANKSHAFT, ASSY	1
2	179131070022	PISTON ASSY (EU I)	1
3	179141160000	PISTON PIN	1
4	170021160000	PISTON RING [EU I]	2
5	170092080000	CIRCLIP	2
6	170031160000	NEEDLE BEARING	1
7	B12810035013	WOODRUFF KEY	1
8	B12016E20401	BALL BEARING	2
9	170012080000	OIL SEAL	1
10	150082080000	OIL SEAL ASSY	1
11	17008208001X	COLLAR	1
12	170022080000	CIRCLIP	1



5			
NO	QJ CODE	DESCRIPTION	QTY
1	269011070150	OIL PUMP ASSY	1
2	B02000501463	SCREW	2
3	170112080000	WORM	1
4	B091403014B0	PIN	1
5	170122080000	CIRCLIP	2
6	260151070000	HOSE,OIL INLET	1
7	260232080001	HOSE CLIP	2
8	260021070010	HOSE,OIL OUTLET	1
9	260242080001	HOSE CLIP	2

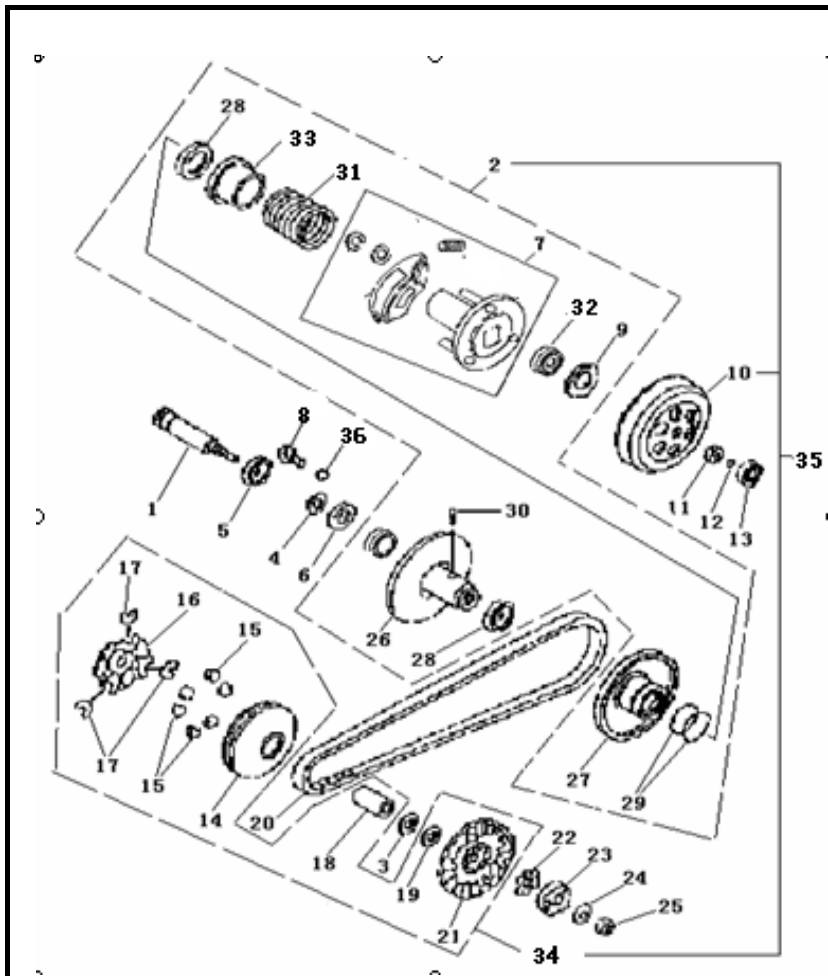


NO	QJ CODE	DESCRIPTION	QTY
1	270011160000	COWLING,cylinder	1
2	150022080000	GROMMET	2
3	270011070040	COELING,fan	1
4	270122080020	BEADING (RUBBER)	1
5	270011070050	COVER ASSY (FAN)	1
6	27903116002Z	FAN	1
7	270022080000	RUBBER RING 70X3.1	1
8	B02000601623	SCREW M6X16	3
9	B07000000601	SPRING WASHER φ6	3
10	B07030000603	WASHER φ6	3
11	270052080000	DUST COVER (RUBBER)	1
12	270122080010	BEADING (RUBBER)	1
13	270011070000	COLLOR	3
14	270041070000	COVER	1
15	B02000403524	SCREW M4X35	3
16	270172080000	COLLOR	3
17	27903116002Z	FAN ASSY	1
18	B01070602064	SCREW	2
19	B05035504004	SCREW	1

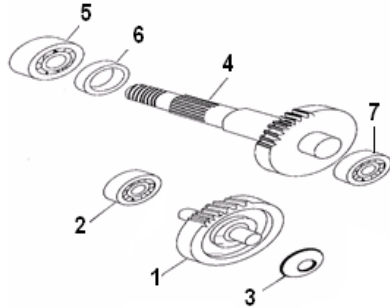


NO	QJ CODE	DESCRIPTION	QTY
1	200022080000	START GEAR ASSY	1
2	200012080000	NEEDLE BEARING	1
3	24003208001X	THRUST WASHER	1
4	249092080001	START HOLDER ASSY	1
5	249022080000	DRIVEN GEAR,STARTER	1
6	150092080000	IDLE GEAR SHAFT	1
7	24002208001X	PLATE WASHER	1
8	24001208003X	IDLE GEAR HOLDER	1
9	B01070601063	SCREW	2
10	B02050602063	SCREW	2
11	259012080002	SHAFT, kick starter	1
12	250042080010	SPRING	1
13	250022080002	BUSH	1
14	250052080000	WASHER ,kick starter	1
15	B080100015A0	CIRCLIP	1
16	250062080000	KICK PINION ASSY	1
17	250032080000	CLIP	1
18	249012080010	STARTING MOTOR ASSY	1
19	B190102120B0	O-RING	1
20	24004208001X	PLATE WASHER	1

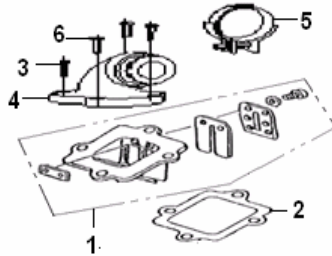
21	200032080001	START CLUTCH ASSY	1
22	200082080001	SPRING	3
23	200072080001	CAP	3
24	200062080001	ROLLER	3



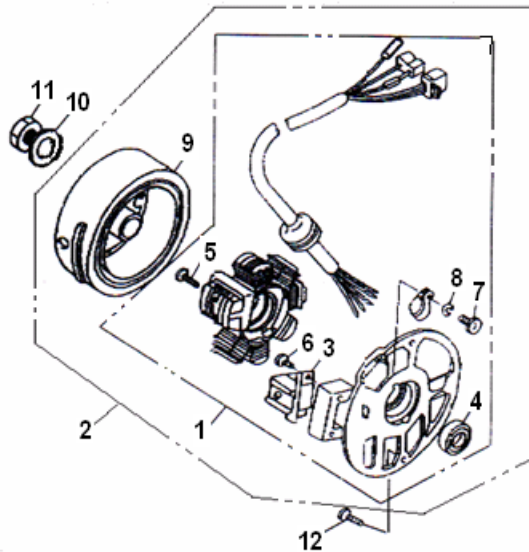
NO	QJ CODE	DESCRIPTION	QTY
8			
1	229041070001	PRIMARY DRIVE SHAFT	1
2	200071040010	DRIVEN PULLY and CLUTCH ASSY	1
3	20001107004X	WASHER8.2	1
3	20001107009X	WASHER10.3	1
4	B08010001701	CIRCLIP	1
5	B12016020303	ROLING BEARING 6203	1
6	200021070000	OIL SEAL	1
7	200091040000	CLUTCH ASSY,shoe	3
8	200142080000	PLATE WASHER	1
9	200282080000	NUT	1
10	200262080000	CLUTCH DRUM	1
11	20029208002X	NUT	1
12	200492080000	RING	2
13	120012080000	BEARING 638Z	1
14	220041070000	FACE,movable drive	1
15	220141070000	ROLLER	6
16	200352080000	PLATE,movable drive	1
17	200342080000	DAMPER	3
18	200362080000	COLLER	1
19	200021160000	WASHER	1
20	229011160020	V BELT, DRIVE	1
21	220021070000	FACE, FIXED DRIVE	1
22	200382080000	PLATE, WOODRUFF KEY	1
23	20031208002X	STARTING DISC	1
24	17007208001X	WASHER, SPRING	1
25	B04031212513	NUT	1
26	200152080000	FACE, FIXED DRIVEN	1
27	200162080000	FACE, MOVABLE DRIVEN	1
28	200392080000	OIL SEAL	1
29	200202080000	O-RING	2
30	200192080000	PIN, GUIDE	2
31	200071040000	SPRING	1
32	200222080000	ROLLER BEARING	1
33	200182080000	SEAT, SPRING	1
34	209001040040	DRIVE ASSY	1
35	229001070000	SHIFT ASSY	1
36	B01090801263	PAN HEAD SCREW	1



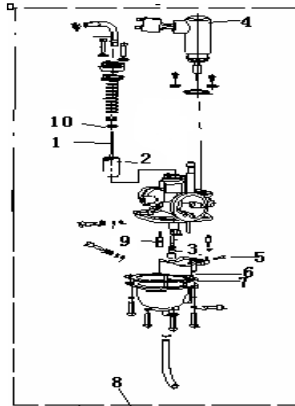
9			
NO	QJ CODE	DESCRIPTION	QTY
1	229061070000	SHAFT, IDLE	1
2	B12016020001	BEARING 6200	1
3	210303070000	WASHER, thrust	1
4	229091070000	SHAFT, REAR BOX	1
5	B12016000400	NEEDLE BEARING	1
6	240031070000	OIL SEAL	1
7	B12016020204	NEEDLE BEARING	1



10			
NO	QJ CODE	DESCRIPTION	QTY
1	119002080020	REED VALVE ASSY	1
2	110032080030	VALVE SEAT GASKET	1
3	B02050602063	SCREW	3
4	110012080000	PIPE, intake	1
5	110022080010	CLIP	1
6	15002116001X	SCREW	1

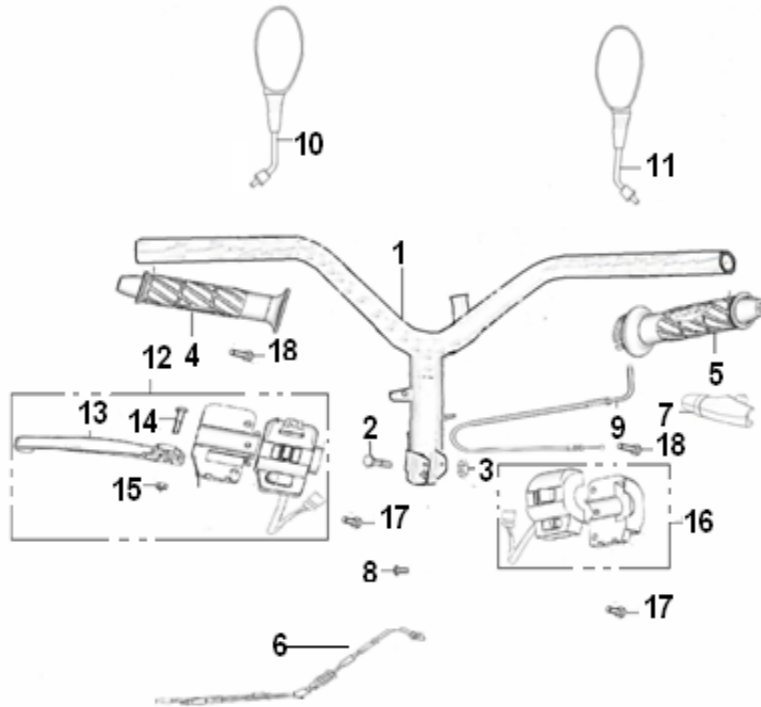


11			
NO	QJ CODE	DESCRIPTION	QTY
1	299031070001	COIL ASSY	1
2	299011070001	MAGNETO ASSY	1
3	290032080000	PULSE TRIGGER	1
4	29012080000	OIL SEAT	1
5	B02000502522	SCREW	2
6	B02000501023	SCREW	2
7	B02000400622	SCREW	1
8	B07000000400	SPRING WASHER	1
9	299022080014	FLY WHEEL ASSY	1
10	B07030001203	WASHER	1
11	27002305001X	NUT	1
12	B01070601663	NUT	2



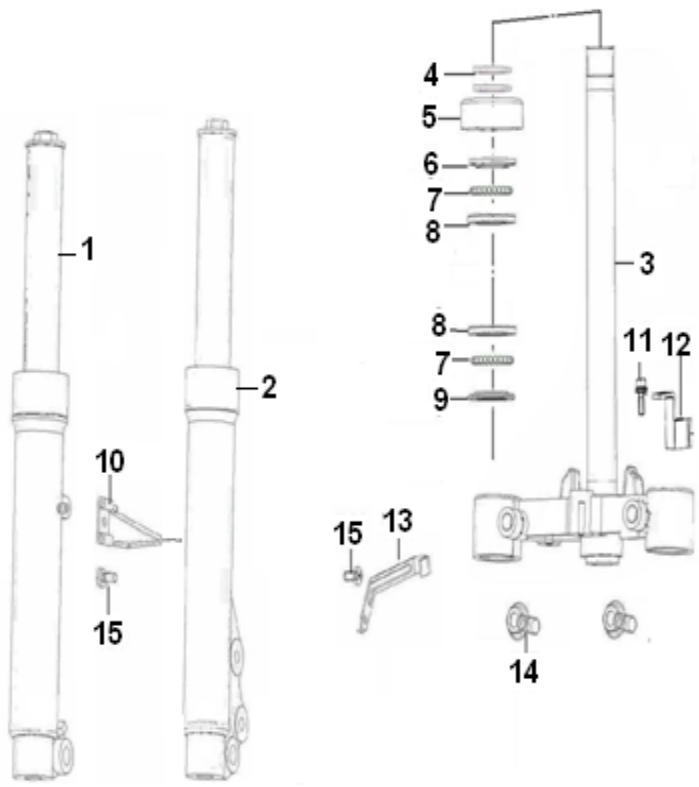
NO	CODE		QTY
12			
1	3390005E0021	NEEDLE, jet	1
2	3322105E0000	VALVE,PISTON	1
3	3311505E0100	JET, main 62.5	1
3	3311505E0100	JET, main 57.5	1
4	3360105E0000	ENRICH VALVE	1
5	PZ19JB-05-13	PIN, float	1
6	PZ19JB-05-02	FLOAT	1
7	3351405E0000	GASKET	1
8	3390005E0331	CARBURETOR ASSY	1
9	3312405E0000	JET, idle 22.5	1
9	3312405E0000	JET, idle 20	1
10	3327402E0000	CLIPMM,V shape	1

F01 CONTROL ASSY.



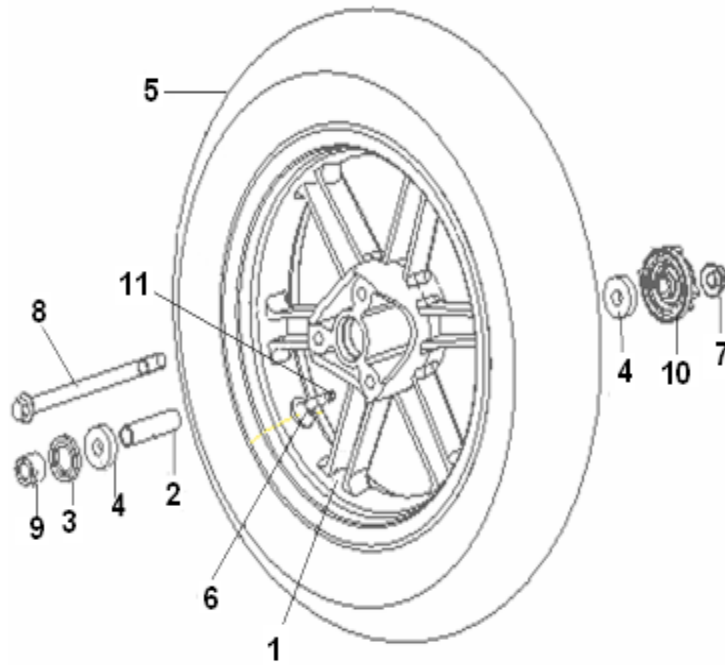
NO.	Part No.	Description	QTY.
1	40100B920003	HANDLE COMP.	1
2	B01591004565	BOLT 10X1.25X45MM	1
3	B04171012565	U NUT 10X1.25MM	1
4	40001B910001	L. GRIP	1
5	40212B910001	GRIP ASSY.	1
6	40300B910000	CABLE ASSY. THROTTLE	1
7	40008BM0T000	JACKET,RR. BRAKE CABLE	1
8	B02000501020	PAN HEAD SCREW 5X10MM	1
9	40270B920001	BRAKE CABLE ASSY.	1
10	40450B990000	REAR VIEW MIRROR ASSY., L watermark	1
11	40480B990000	REAR VIEW MIRROR ASSY., R watermark	1
12	40500B910003	LEFT HANDLE SWITCH ASSY.	1
13	40002BMBT001	LEFT LEVER	1
14	40004BMBT000	LEVER MOUNTING SCREW	1
15	B04000500055	NUT 5MM	1
16	40600B910001	RIGHT HANDLE SWITCH ASSY.	1
17	B02000502025	PAN HEAD SCREW M5X20	2
18	B02000502525	PAN HEAD SCREW M5X25	2

F02 FRONT FORK



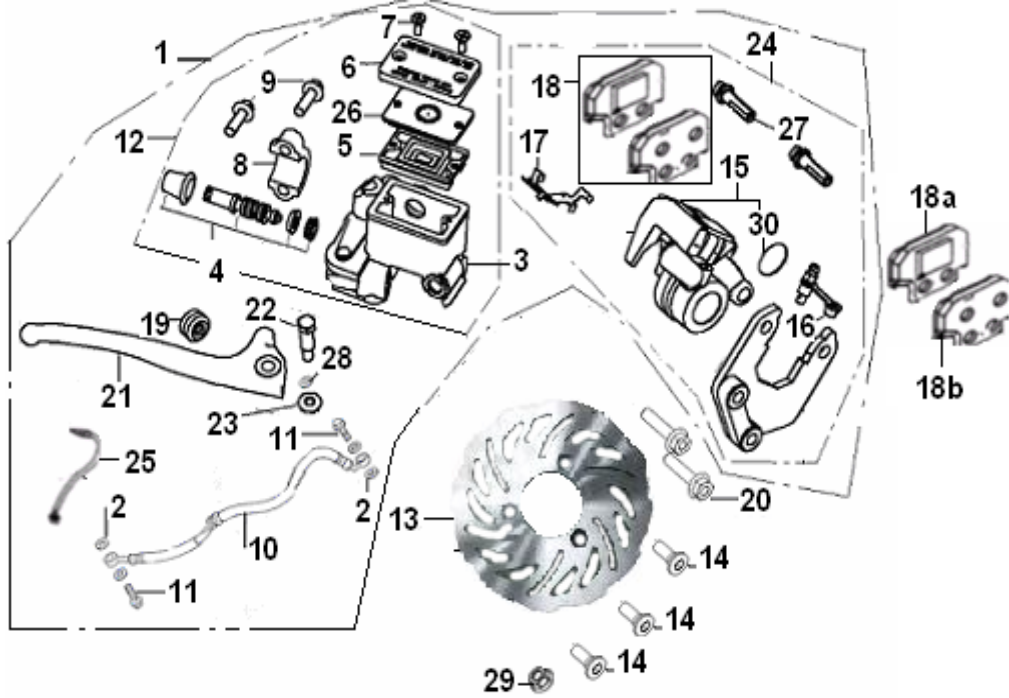
NO.	Part No.	Description	QTY.
1	43300BMVT000	FR.R. FORK ASSY.	1
2	43200BMVT000	FR. L. FORK ASSY.	1
3	43102B910000	STEM, STEERING	1
4	43008BMAT000	NUT	2
5	44021B910000	BALL RACE COVER	1
6	43001B920000	BALL RACE, CONNECTING	1
7	B06010150000	STEEL BALL ϕ 5 (A SET OF 42)	42
8	43002B920000	BALL RACE	2
9	43004B920000	BALL RACE	1
10	43150BMAT000	CLIP, SPEEDOMETER CABLE	1
11	B01090601260	BOLT 6X12MM	1
12	43035BMBT000	HOLDER, BRAKE HOSE 2	1
13	43021BM0T002	HOLDER, BRAKE HOSE 1	1
14	B01091003060	BOLT 10X1.25X30MM	2
15	B01070601620	BOLT M、6X16MM	2

F03 FRONT WHEEL



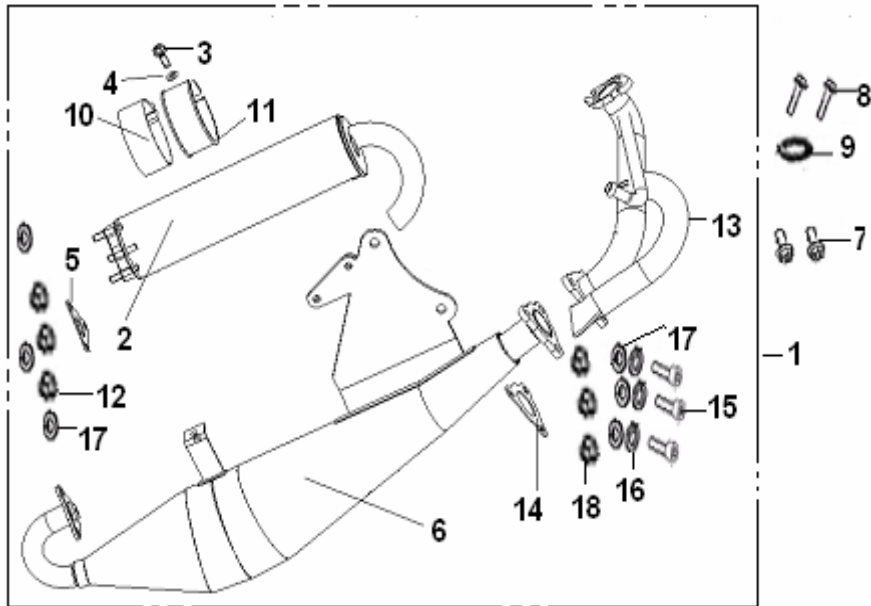
NO.	Part No.	Description	QTY.
1	44100BM0TBHA	FR. RIM COMP. BLACK (3.5x12)	1
2	44600B910010	DISTANCE COLLAR COMP.	1
3	44300B910000	OIL SEAL 22X35X7	1
4	B12016020100	BALL BEARING 6201-2RS	2
5	B140107D1201	TIRE 120/70-12(E MARK)	1
6	44000J000000	RIM VALVE	1
7	B04171212563	FLANGE U NUT M12X1.25	1
8	44004T020000	FR.WHEEL.AXLE M12X1.25X224	1
9	44005B910000	COLLAR	1
10	44200J5BT000	SPEEDOMETER GEAR COMP.	1
11	B1404ZZ2011C0	CAP, VALVE	1

F04 FRONT DISK BRAKE



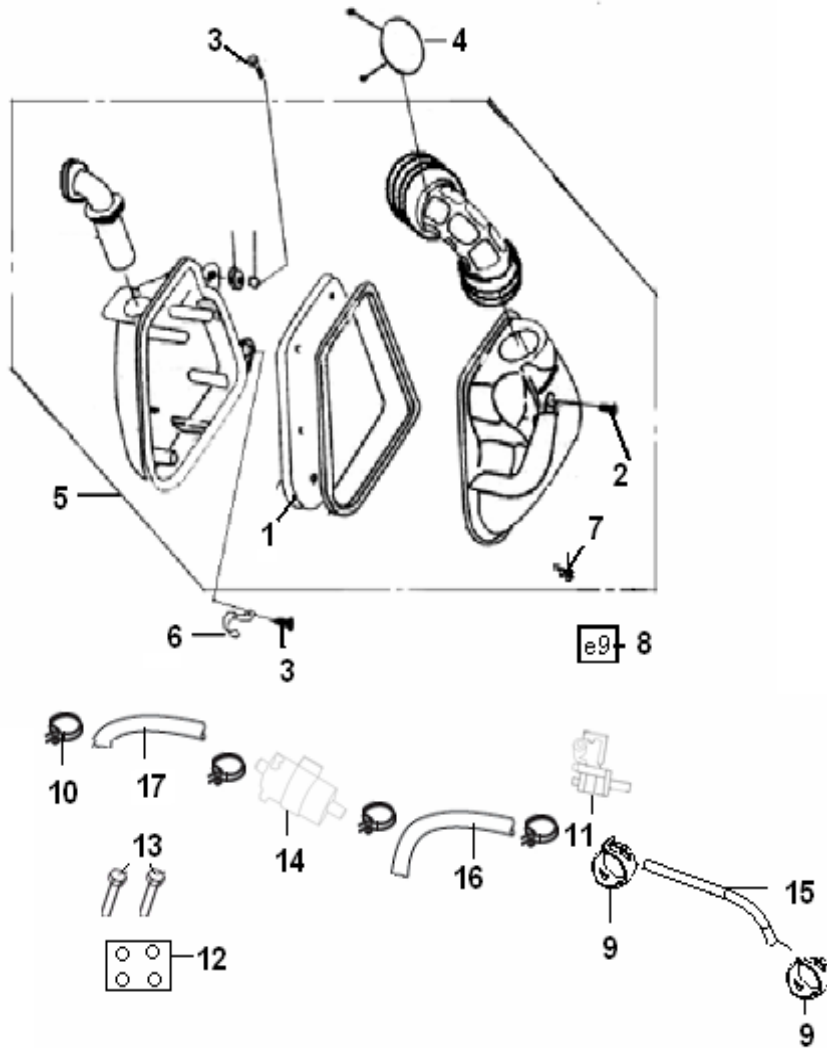
NO.	Part No.	Description	QTY.
1	45000T10RO02	MASTER CYLINDER & CALIPER ASSY UPER BLACK BELOW RED	1
2	45029J00P000	PLATE WASHER	4
3	45009BMBT000	MASTER CYLINDER BODY	1
4	45140J00P000	PISTON ASSY.	1
5	45011J1DT000	RESERVOIR DIAPHRAGM	1
6	45012BMBT000	RESERVOIR CAP	1
7	B02010401025	SCREW 4×10MM	2
8	45023J1DT000	MASTER CYLINDER BRACKET	1
9	B01070602365	BOLT 6×23MM	2
10	45200BMBT000	FR. BRAKE HOSE	1
11	45037J00P000	UNION BOLT	2
12	45400BMBTB30	MASTER CYLINDER ASSY.	1
13	45033B920001	BRAKE DISC undee/flower type	1
14	45036JJ0T001	BOLT (GOLD COLORED)	3
15	45001T10RO00	CALIPER COMP (RED RO)	1
16	45021J00P000	BREED SCREW CAP	1
17	45017G0CP000	PAD SUPPORT,1	1
18	45110J4FT000	BRAKE PAD SET, NON-ASBESTOS	1
18a	45120T100002	BREKE PAD 1, import	1
18b	45130T100002	BREKE PAD 2,import	1
18a	45120T100001	BREKE PAD 1,Foochow	1
18b	45130T100001	BREKE PAD 2,Foochow	1
19	45057G0KP000	TENSION SPRING,LEVER	1
20	45039J4FT001	BOLT (GOLD COLORED) 8×36MM	2
21	45022BMBT002	BRAKE LEVER, FR. DISK	1
22	40024J1CT000	BOLT 6MM	1
23	B04160600055	NUT 6MM	1
24	45500J4FTRO0	FR. CALIPER ASSY. (RED RO)	1
25	45300J3AT000	R. STOP SWITCH ASSY.	1
26	45013J1DT000	WASHER, CYLINDER	1
27	45053G0CP000	GUIDE POLE	2
28	B07000000605	WASHER 6MM	1
29	B04171012553	NUT 10×1.25MM	3
30	45042J000000	SEAL	1

F05 MUFFLER



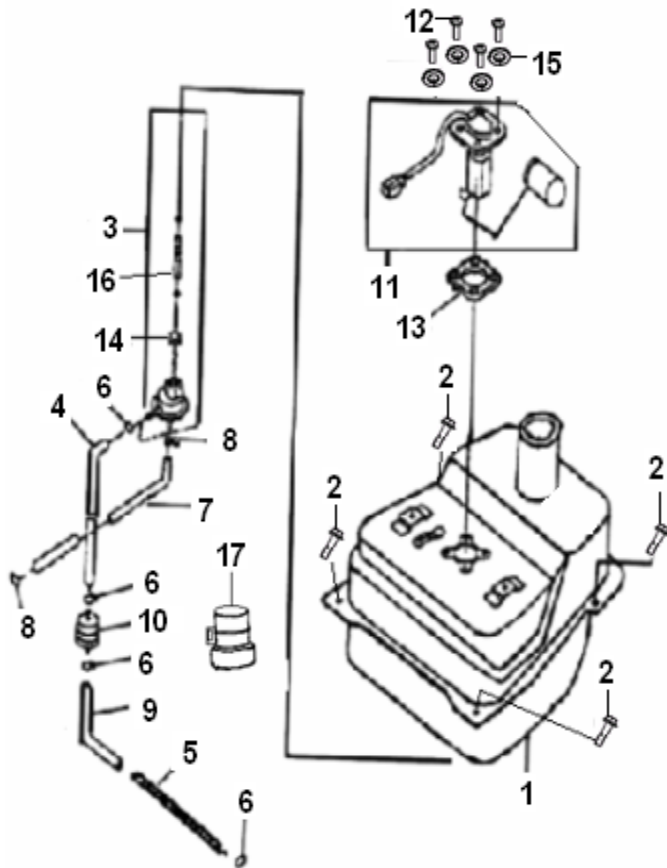
NO.	Part No.	Description	QTY.
1	47000B990012	MUFFLER ASSY COMP	1
2	47300B920012	MUFFLER CANISTER ASSY.	1
3	B01090602064	BOLT 6X20MM	1
4	B07000000604	WASHER 6MM	1
5	47490B920000	CUSHION	1
6	47200B990000	MUFFLER CANISTER ASSY	1
7	B01090802064	BOLT 8X20MM	2
8	B01090601665	BOLT 6X16MM	2
9	47035B910000	GASKET, EXHAUST PIPE	1
10	02135B920000	ADIABATIC RUBBER	1
11	48831B140005	MUFFLER HOOP	1
12	47006J010020	NUT 6MM	3
13	47500B990000	EXHAUST PIPE COMP.	1
14	47491B920001	GASKET, FLANGE	1
15	B02050602564	SCREW M6X25	3
16	B07000000604	SPRING WASHER 6	3
17	B07030000604	WASHER 6	6
18	B04000600054	NUT 6MM	3

F06 AIR CLEANER



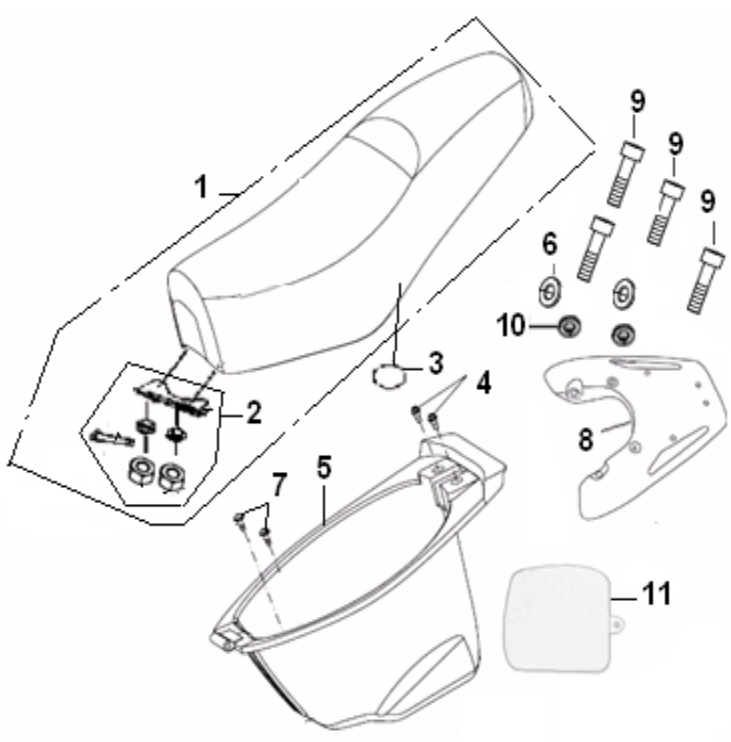
NO.	Part No.	Description	QTY.
1	49200BMBT000	FILTER	1
2	B05074202005	TAPPING SCREW 4.2X20MM	5
3	B01090602060	BOLT 6X20MM	2
4	55541B290000	CLIP 42.5	1
5	49100B320000	AIR CLEANER ASSY.	1
6	55038B290000	GUIDE, BRAKE CABLE	1
7	B05074201205	TAPPING SCREW 4.2X1.2MM	4
8	05561BM0T001	STICKER ,	1
9	49855J000000	CLIP 16.5	2
10	49804J000000	CLIP 17.5	4
11	49930J040000	ONE WAY VALVE	1
12	57051B920000	PLATE,ONE WAY VALVE	1
13	B01090601265	BOLT 6X12	2
14	49870B140000	AIR CLEANER,SMALL	1
15	49801B140000	HOSE $\phi 9.1 \times \phi 17 \times 550$	1
16	49852B940000	HOSE I 250MM	1
17	49853B940000	HOSE II 210MM	1

F07 FUEL TANK



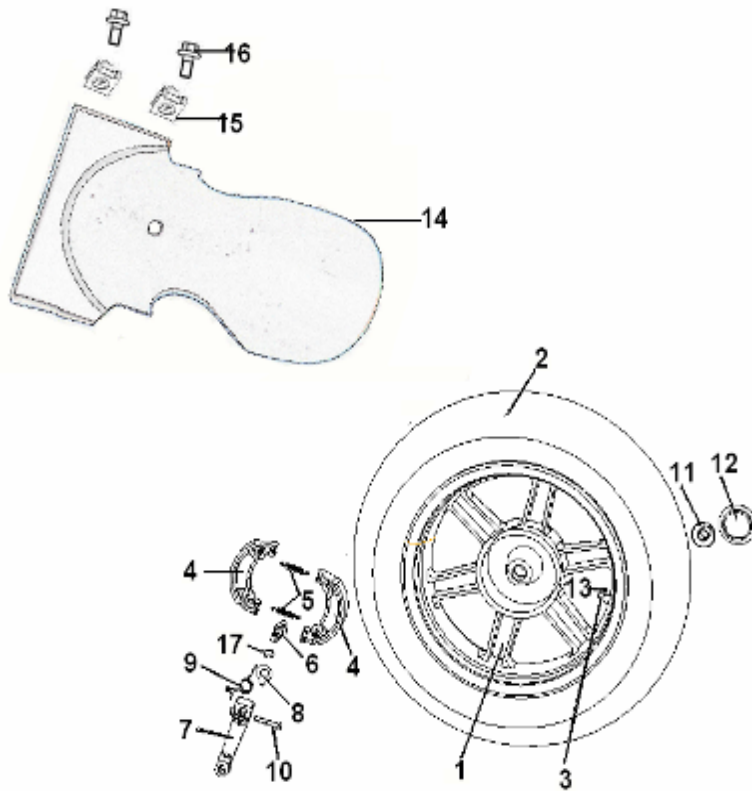
NO.	Part No.	Description	QTY.
1	50100BMBT002	FUEL TANK COMP.	1
2	B01090601665	BOLT 6X16MM	4
3	50300T030002	FUEL COCK ASSY.	1
4	50301BM0T000	FUEL HOSE 1 , $\phi 4.5 \times \phi 8.5 \times 80$	1
5	08354B920001	SPRING(BLACK)	1
6	49808N050000	CLIP $\phi 8$	4
7	50302BM0T000	VACUUM HOSE, $\phi 4 \times \phi 8 \times 360$	1
8	02108J000002	CLIP $\phi 7$	2
9	50303BM0T000	FUEL HOSE 2, $\phi 4.5 \times \phi 8.5 \times 250$	1
10	50340G120000	FUEL FILTER ASSY.	1
11	50800B920000	SENDER UNIT	1
12	50801BM0T001	BOLT 5X16MM	4
13	50004BMBT000	SENDER UNIT GASKET	1
14	50312J0ET000	SEAL RING	1
15	B07020000505	WASHER 5MM	4
16	50352BM0T000	FUEL FILTER	1
17	50391J0ET000	GASKET	1

F08 SEAT



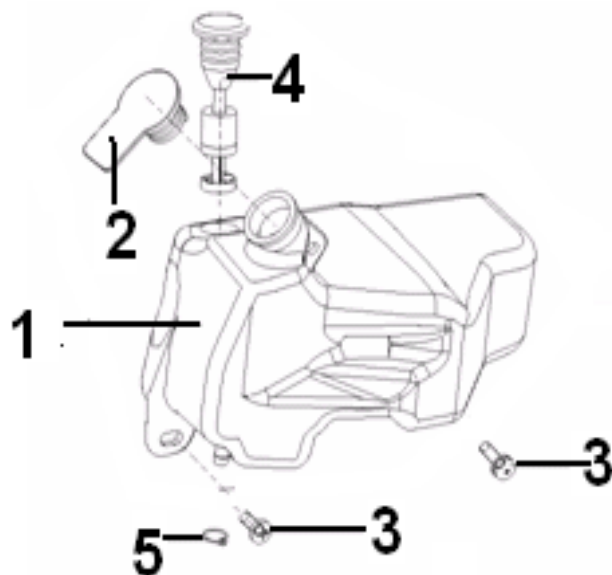
NO.	Part No.	Description	QTY.
1	51000B920000	SEAT ASSY.	1
2	51080BMBT001	SEAT HINGE	1
3	63104B920000	O-RING	1
4	08011H60X001	BOLT M6X14	2
5	51004B990000	LUGGAGE BOX	1
6	B07030000804	WASHER 8MM	2
7	B01090601260	BOLT W/WASHER M6X20	2
8	52011B33YP00	RR.. CARRIER COMP YELLOW	1
8	52011B33R800	RR.. CARRIER COMP RED	1
8	52011B33GD00	RR.. CARRIER COMP GREEN	1
9	B02050804564	SCREW M8X45	4
10	08027J4AT000	WASHER	2
11	51005B990000	UNDER COVER LUGGAGE BOX	1

F09 REAR WHEEL



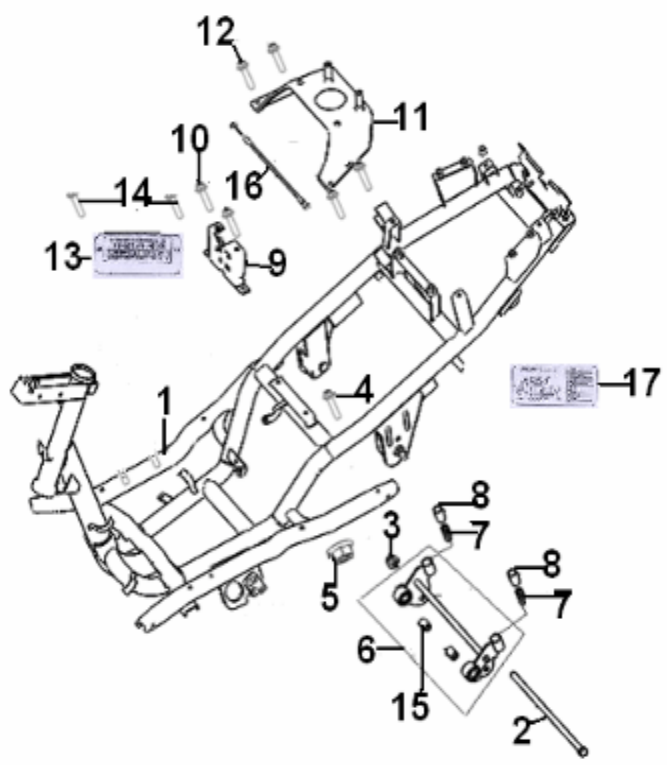
NO.	Part No.	Description	QTY.
1	54100BM0TBHA	RR. RIM COMP. 3.5X12" (BLACK)	1
2	B140108D1201	TIRE 130/70-12 (E MARK)K-413	1
3	44000J000000	RIM VALVE Z2-01-1	1
4	54200B920000	BRAKE SHOE KIT	2
5	55051B920000	SPRING(BLACK)	2
6	54003B910000	CAM SHAFT, 2	1
7	54007B910000	CAM SHAFT LEVER, ASSY	1
8	44002B910000	INDICATOR PLATE	1
9	54008B920000	TENSION SPRING	1
10	08012BM0T000	HEX. BOLT 6X30MM (GOLD COLORED)	1
11	B04171615063	U NUT 16X1.5MM	1
12	54027BM0T000	CAP	1
13	B1404Z2011C0	CAP, VALVE	1
14	65709B910002	REAR FENDER	1
15	65803J0ET000	BUSH, RR, FENDER	3
16	B01090602060	BOLT 6X20MM	2
17	B190101000A0	O RING 10X1.9MM	1

F10 FRAME BODY



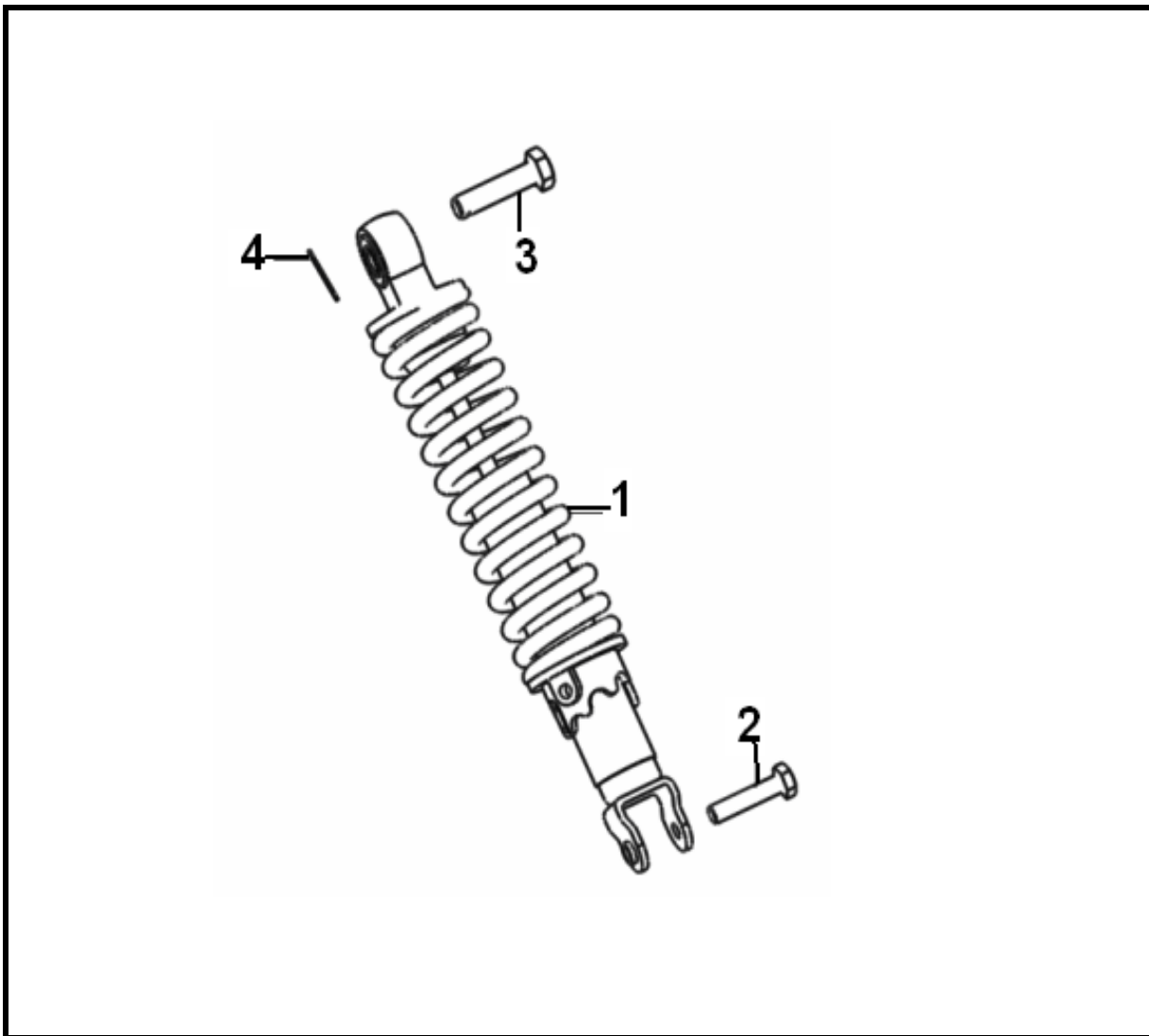
NO.	Part No.	Description	QTY.
1	64001B310000	OIL TANK COMP	1
2	64090BMATB20	CAP, OIL TANK(BLACK)	1
3	B01090601660	SCREW W/WASHER 6×16	2
4	64100BMAT000	OIL LEVER GAUGE COMP.	1
5	50307BM0T000	CLIP 8	1

F11 FRAME ASSY.



NO.	Part No.	Description	QTY.
1	57000B990003	FRAME COMP.	1
2	58303B910004	E/G MOUNTING BOLT,	1
3	B04171212563	U NUT 12X1.25MM	1
4	08011B910016	E/G MOUNTING BOLT,	2
5	B04171012565	U NUT 10X1.25MM	2
6	58320B920000	E/G BRKT COMP.	1
7	57014B290000	DAMPER	2
8	08354B920000	SPRING	2
9	58800B910001	SEAT CATCH COMP.	1
10	B01090602060	BOLT 6X25MM	2
11	52816B330000	CARRIER BRACKET	1
12	B01090601260	BOLT 6X12MM	4
13	57001B990000	FRAME BODY NO. PLATE	1
14	B100432007P0	RIVET 3.2X7MM	4
15	58350B990000	BUFFER, ENGINE BRACKET	2
16	88120B920000	SEAT CABLE	1
17	57002B990003	ANTI-TAMPERING PLATE	1
17	57002B990000	ANTI-TAMPERING PLATE	1

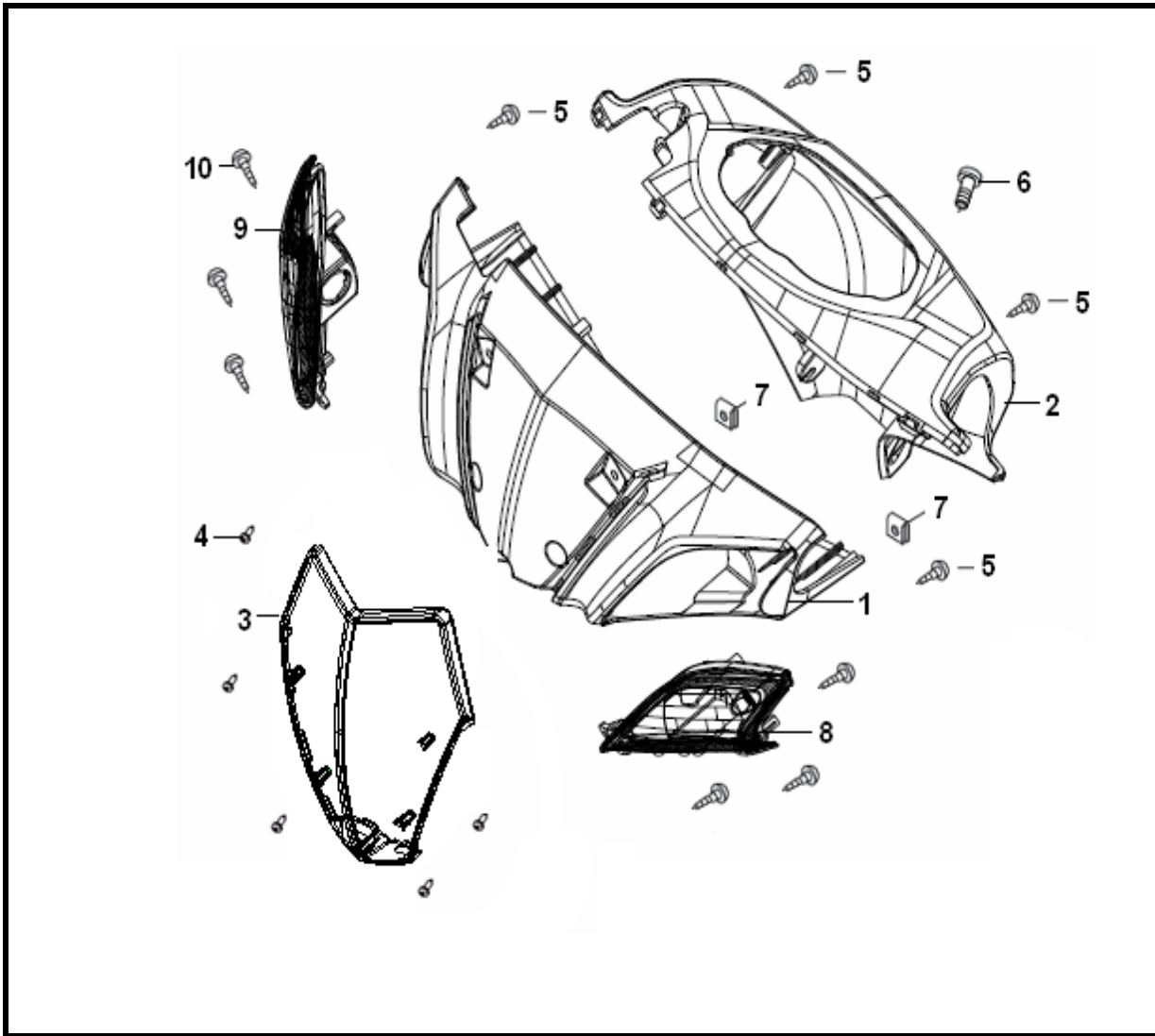
F12 REAR ABSORBER



NO.	Part No.	Description	QTY.
1	63000B91R800	RR. ABSORBER COMP.RED R8	1
2	63015J0ET001	FLANGE BOLT , 8X31MM	1
3	B01141004060	BOLT.W/HOLE 10X1.25X40MM	1
4	63016B0DT001	SPLIT PIN	1

F13 FRONT FENDER

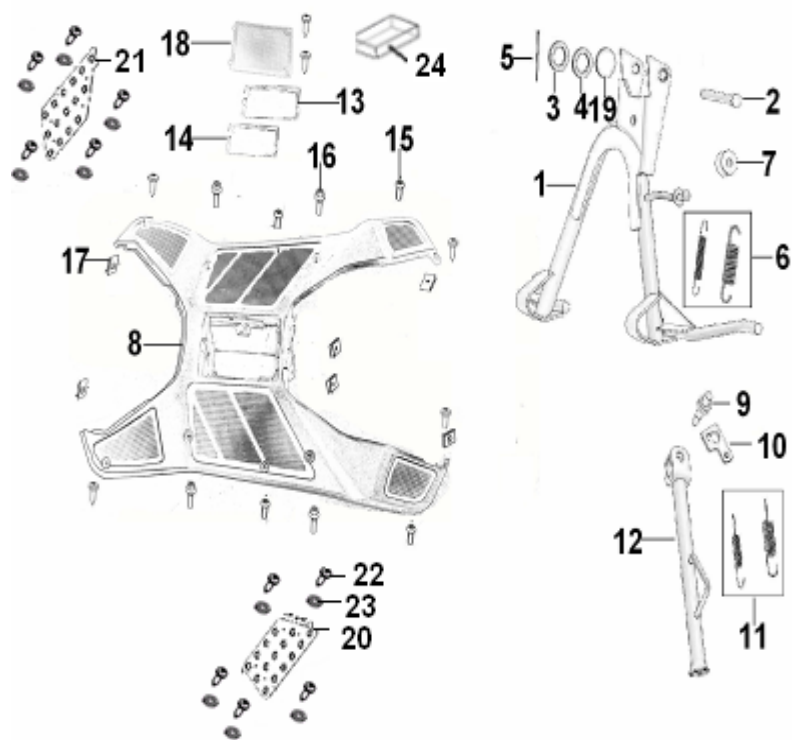
F14 HANDLE COVER



NO.	Part No.	Description	QTY.
1	65201B91R801	HANDLE COVER, FRONT, RED R8	1
1	65201B91YP01	HANDLE COVER, FRONT, YELLOW YP	1
1	65201B91GD01	HANDLE COVER, FRONT, GREEN GD	1
2	65202B910001	HANDLE COVER, BACK	1
3	65203B99D501	METER VISION ASSY.WATERMARK	1
4	B05074001205	SCREW 4X12	5
5	B05074001205	SCREW 4X12	4
6	B13060601205	SCREW W/WASHER 6X12	1
7	65802B310000	SPRING NUT 4.8MM	2
8	81100H030003	TURN SIGNAL FRONT LEFT	1
9	81300H030003	TURN SIGNAL FRONT RIGHT	1
10	B05004201303	SCREW ST4.2×13	6

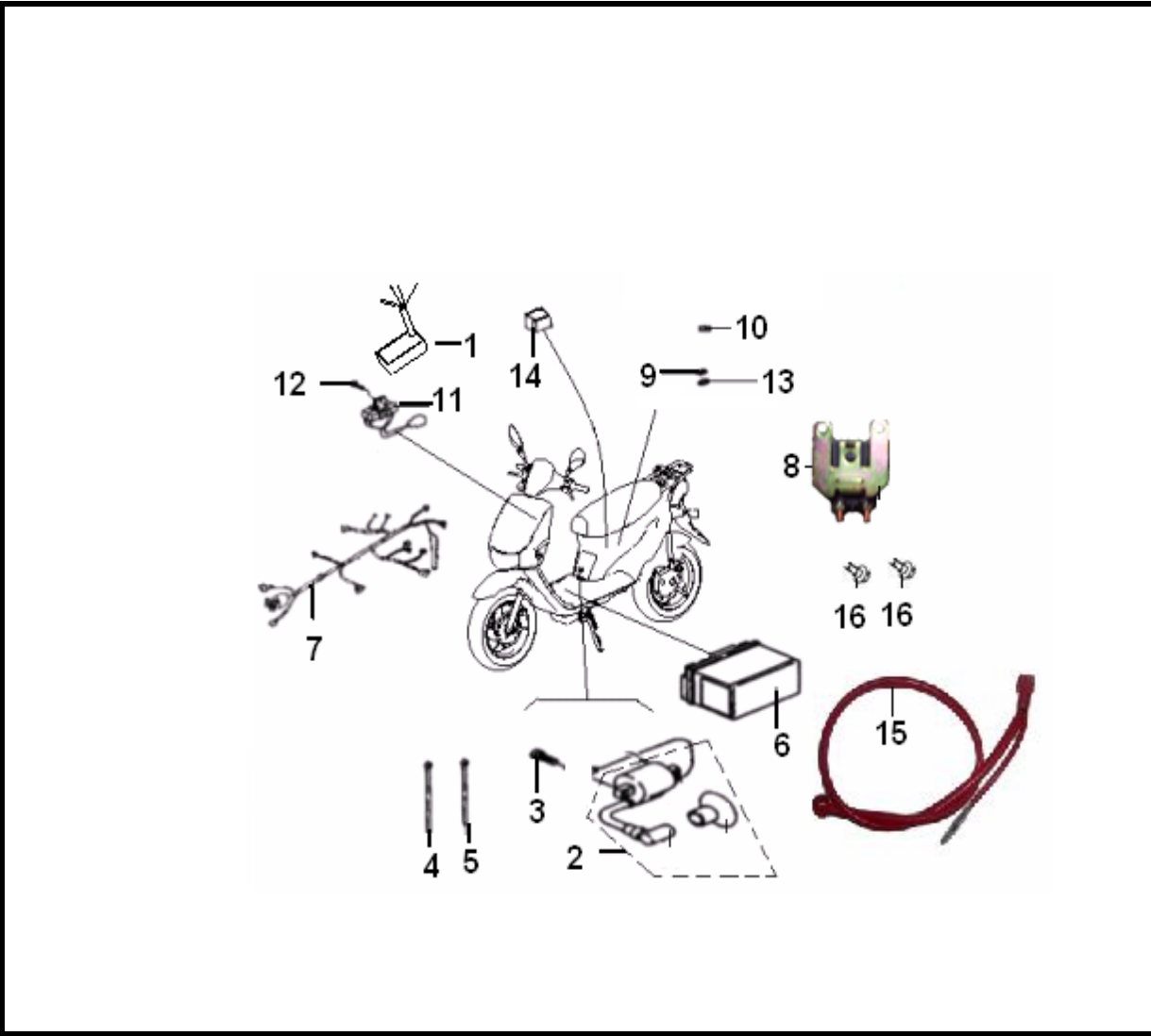
F15 FRONT COVER

F17 FOOTREST/STAND



NO.	Part No.	Description	QTY.
1	58520B920001	MAIN STAND COMP.	1
2	58501B450050	AXLE, MAIN STAND	1
3	B07030001005	O-RING 10X1.8	1
4	58504B290000	PLATE WASHER	1
5	63016B0DT001	SPLIT PIN	1
6	57129B910000	MAIN STAND SPRING ASSY.	1
7	57014B920000	CUSHION, MAIN STAND	1
8	65401B990000	FLOOR, BLACK	1
9	57005BMBT001	BOLT, SINGLE STAND	1
10	57006BM0T000	HOOK	1
11	57010BM0T001	SIDE STAND SPRING ASSY.	1
12	58700B990000	SIDE STAND COMP.	1
13	65811B990000	BATTERY DAMPER I	1
14	58750B920001	BATTERY DAMPER I	1
15	08011H60X001	BOLT 6X14MM	4
16	B01090601260	BOLT 6X12MM	4
17	65802BMA000	SPRING NUT 4.8MM	6
18	65813B990000	BATTERY COVER	1
19	B190101000A0	O-RING 10X1.8	1
20	65411B990000	FOOT PLATE, L	1
21	65412B990000	FOOT PLATE, R	1
22	B05004201305	SCREW 4.2X13MM	10
23	08021T090000	WASHER	10
24	65812BMBT000	BATTERY DAMPER II	1

F22 ELECTRICAL EQUIPMENT



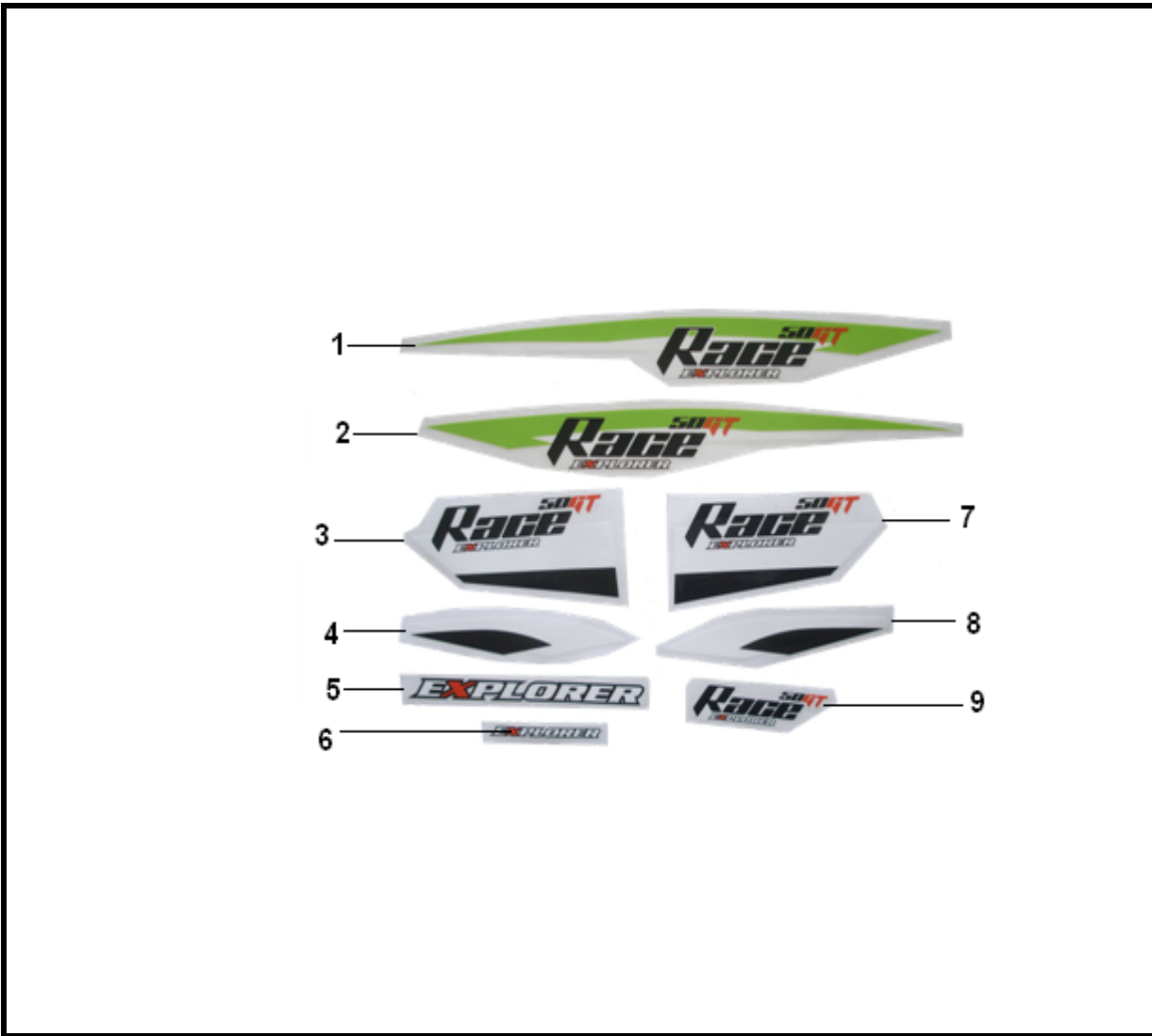
NO.	Part No.	Description	QTY.
1	299051070001	C.D.I. UNIT COMP.	1
2	96200B990000	IGNITION COIL ASSY	1
3	B02050602525	SCRAW 5×20MM	1
4	96004J00P000	BAND 250MM	2
5	96002J00P000	BAND 150MM	1
6	96100B030010	BATTERY ASSY. 12V,3AH (YTX4L-BS)	1
7	92000B990001	WIRE HARNESS COMP.	1
8	94100J000002	STARTER RELAY COMP.	1
9	B07000000605	SPRING WASHER 6MM	1
10	B04000600065	NUT 6MM	1
11	96600B910000	RESISTOR COMP.	1
12	B01090601265	BOLT 6×12MM	1
13	B07030000605	IGNITION COIL COMP	1
14	96007B910000	CUSHION, C.D.I.	1
15	92200B230002	ELECTRIC CABLE	1
16	B01090601065	BOLT M6×10	2

F26/2 STICKER



NO.	Part No.	Description	QTY.
1	05512B99R804	STICKER,SIDE COVER RH	1
2	05511B99R804	STICKER,SIDE COVER LH	1
3	05523B99R804	STICKER,FRONT COVER RH	1
4	05543B990004	STICKER,UNDER COVER RH	1
5	05541B990004	STICKER,UNDER COVER	2
6	05531B990004	STICKER,FRONT COVER	2
7	05522B99R804	STICKER,FRONT COVER LH	1
8	05542B990004	STICKER,SIDE COVER LH	1
9	05521B99R804	STICKER,FRONT COVER	1

F26/3 STICKER



NO.	Part No.	Description	QTY.
1	05512B99GD04	STICKER,SIDE COVER RH	1
2	05511B99GD04	STICKER,SIDE COVER LH	1
3	05523B99YP04	STICKER,FRONT COVER RH	1
4	05543B990004	STICKER,UNDER COVER RH	1
5	05541B990004	STICKER,UNDER COVER	2
6	05531B990004	STICKER,FRONT COVER	2
7	05522B99YP04	STICKER,FRONT COVER LH	1
8	05542B990004	STICKER,SIDE COVER LH	1
9	05521B99YP04	STICKER,FRONT COVER	1

