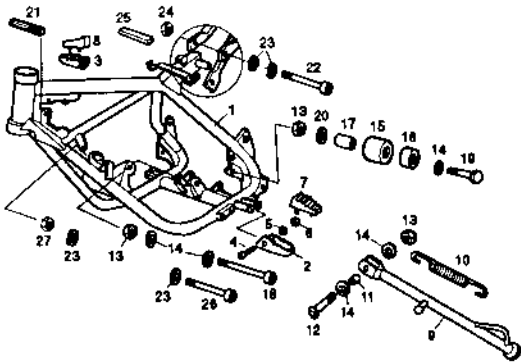
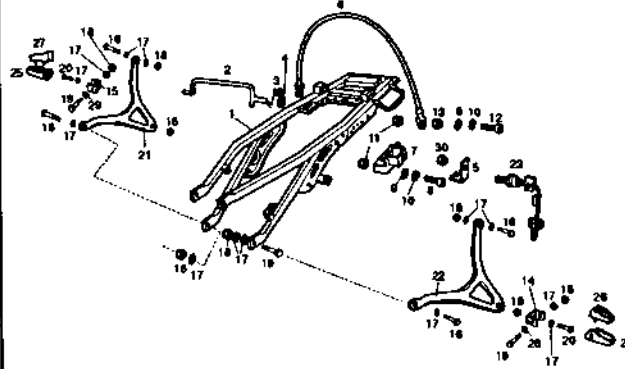


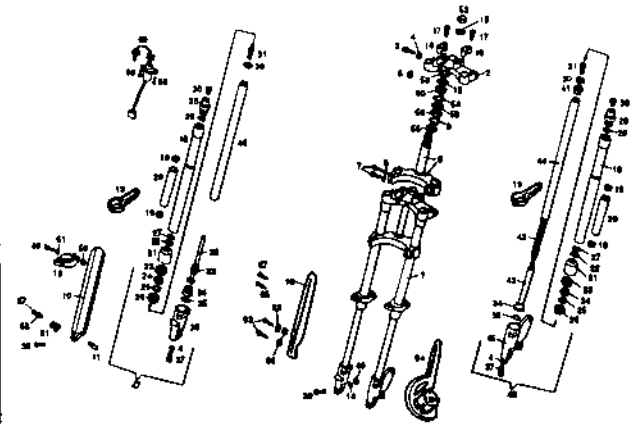
LAMINA 1
DIAGRAM 1



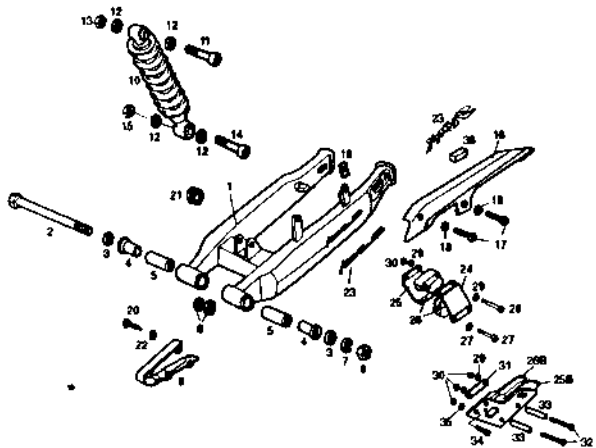
LAMINA 2
DIAGRAM 2



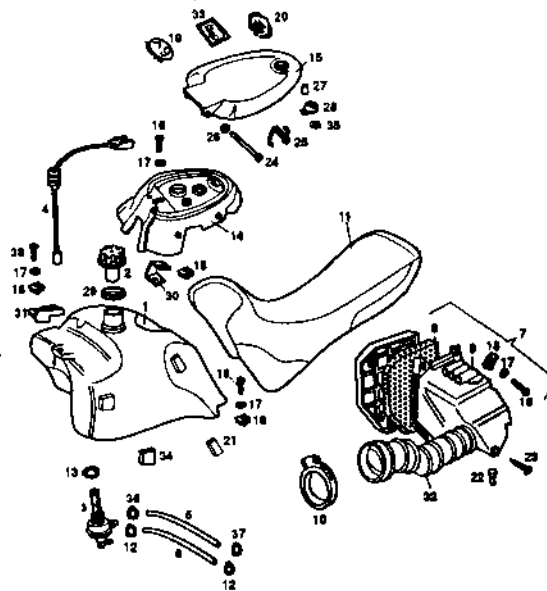
LAMINA 3
DIAGRAM 3



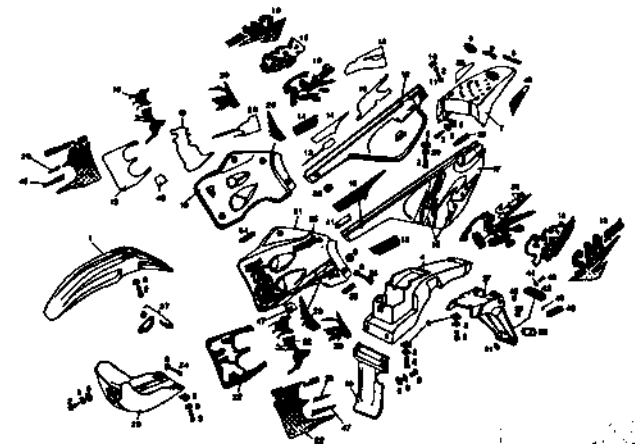
LAMINA 4
DIAGRAM 4



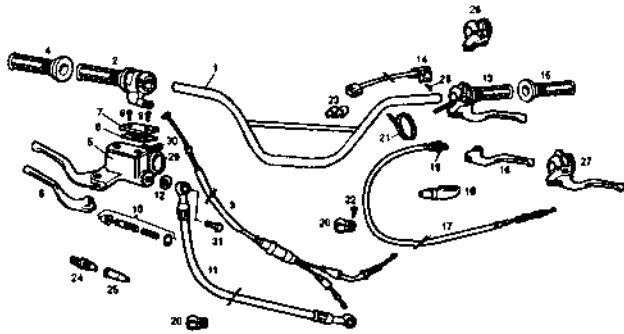
LAMINA 5
DIAGRAM 5



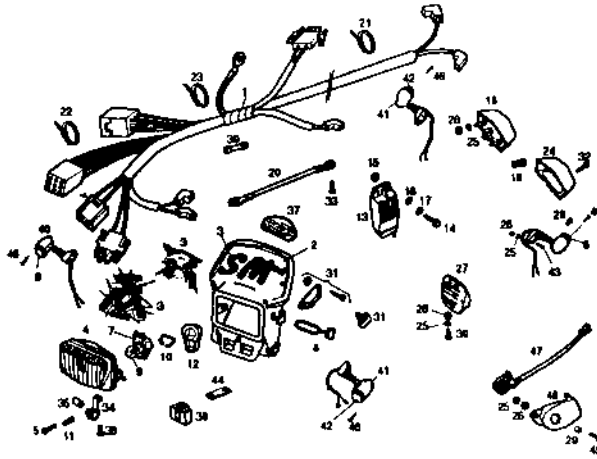
LAMINA 6
DIAGRAM 6



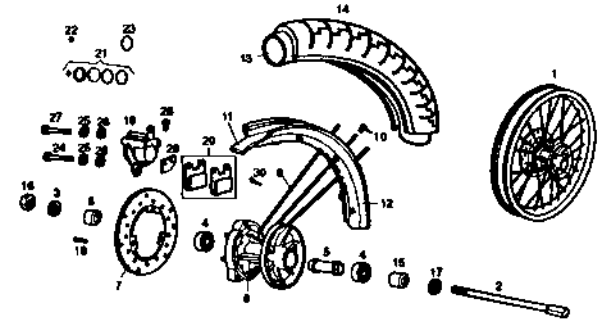
LAMINA 7
DIAGRAM 7



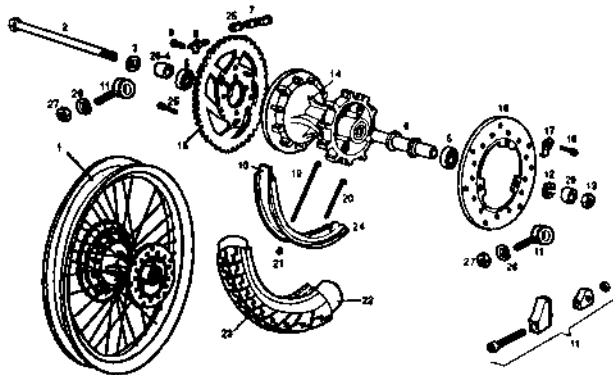
LAMINA 8
DIAGRAM 8



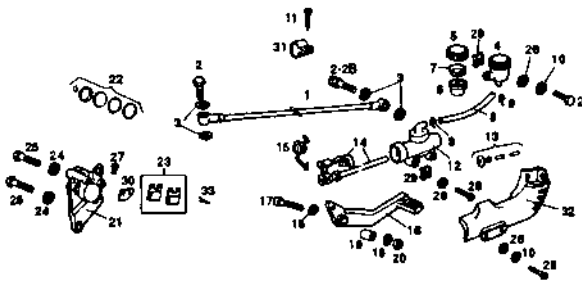
LAMINA 9
DIAGRAM 9



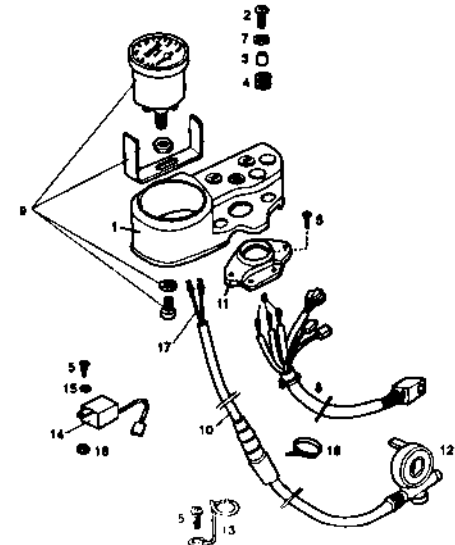
LAMINA 10
DIAGRAM 10



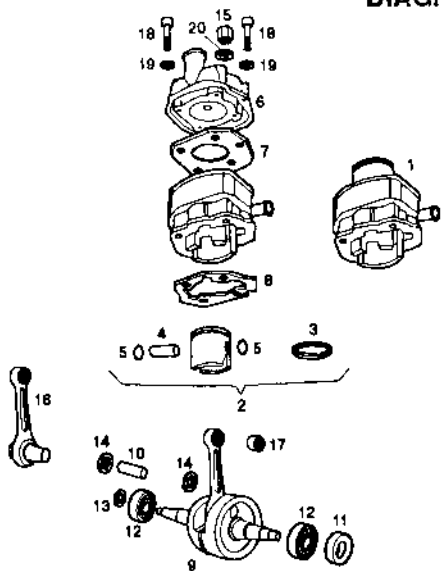
LAMINA 11
DIAGRAM 11



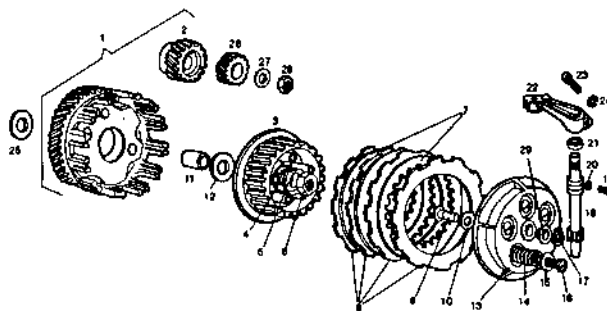
LAMINA 12
DIAGRAM 12



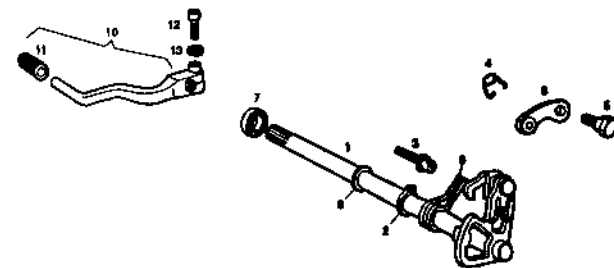
LAMINA 13
DIAGRAM 13



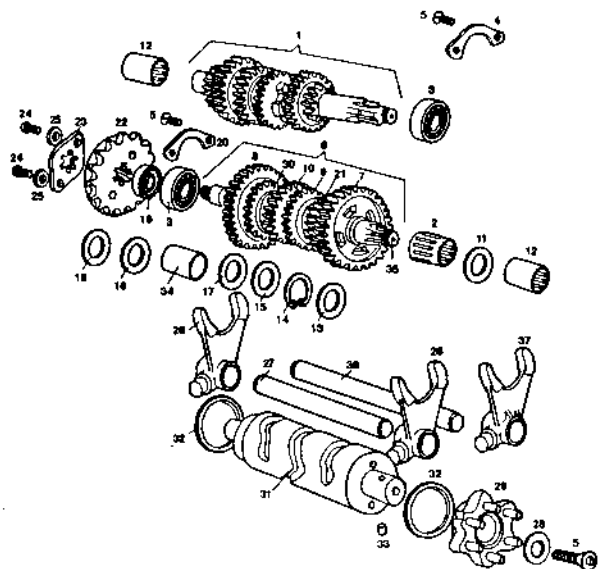
LAMINA 14
DIAGRAM 14



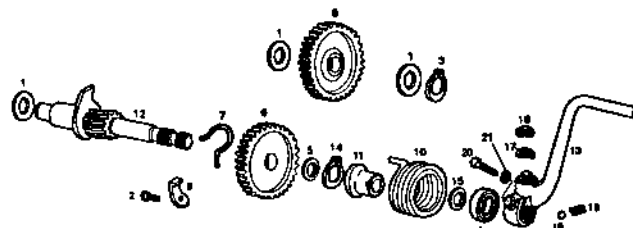
LAMINA 15
DIAGRAM 15



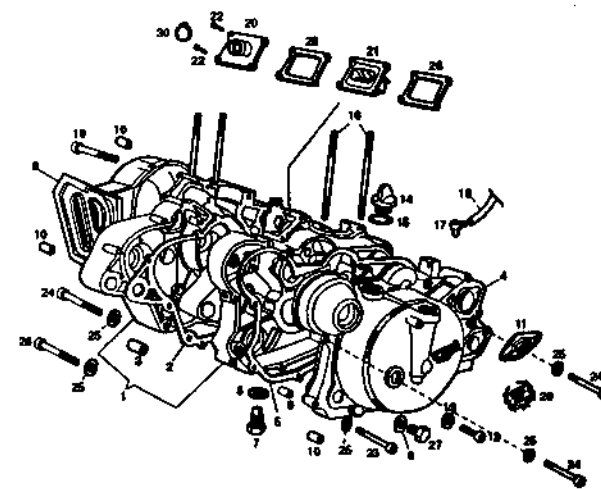
LAMINA 16
DIAGRAM 16



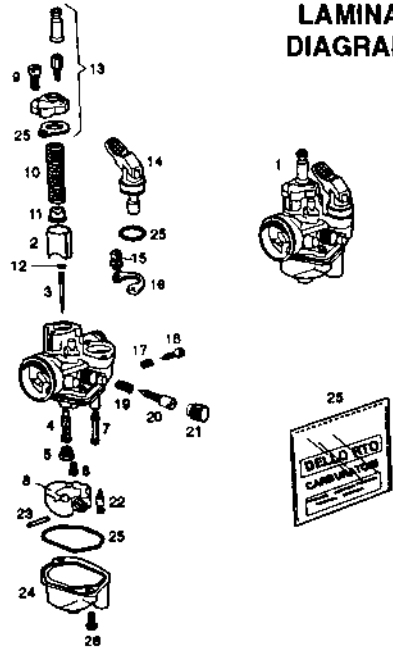
LAMINA 17
DIAGRAM 17



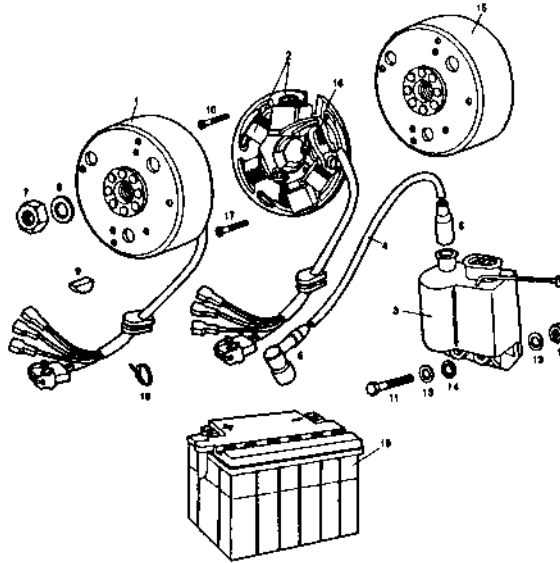
LAMINA 18
DIAGRAM 18



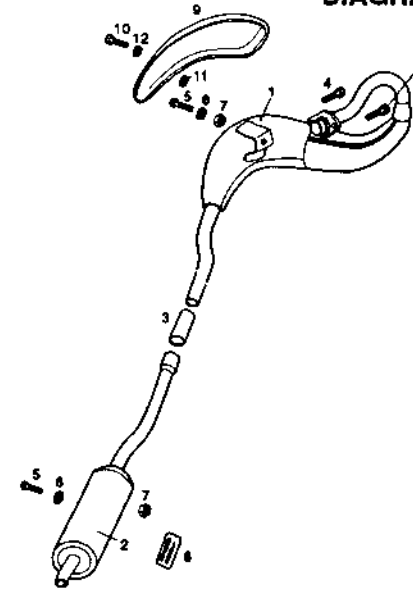
LAMINA 19
DIAGRAM 19



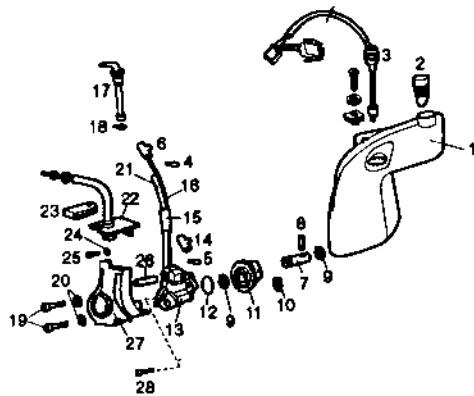
LAMINA 20
DIAGRAM 20



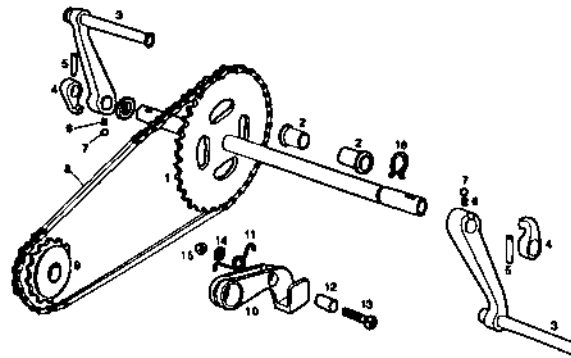
LAMINA 21
DIAGRAM 21



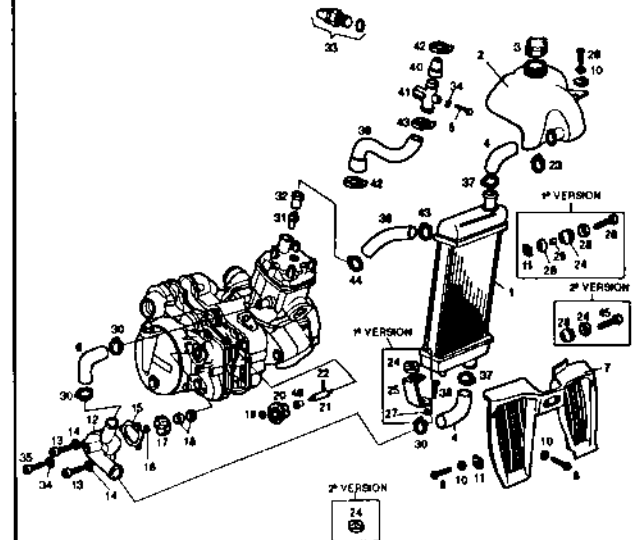
LAMINA 22
DIAGRAM 22



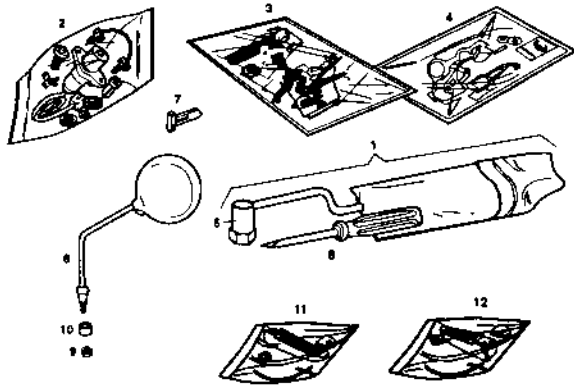
LAMINA 23
DIAGRAM 23



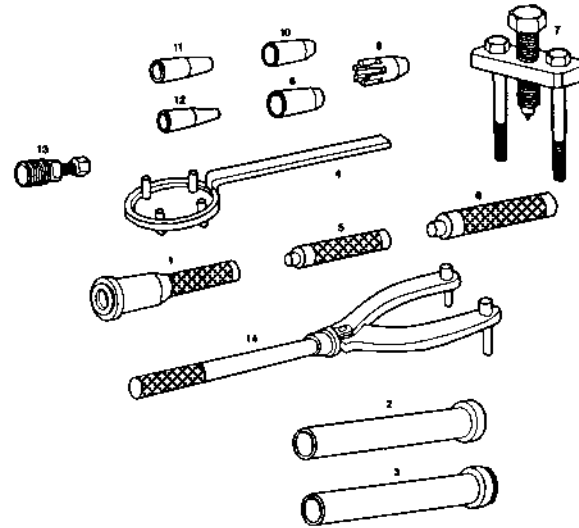
LAMINA 24
DIAGRAM 24



LAMINA 25
DIAGRAM 25

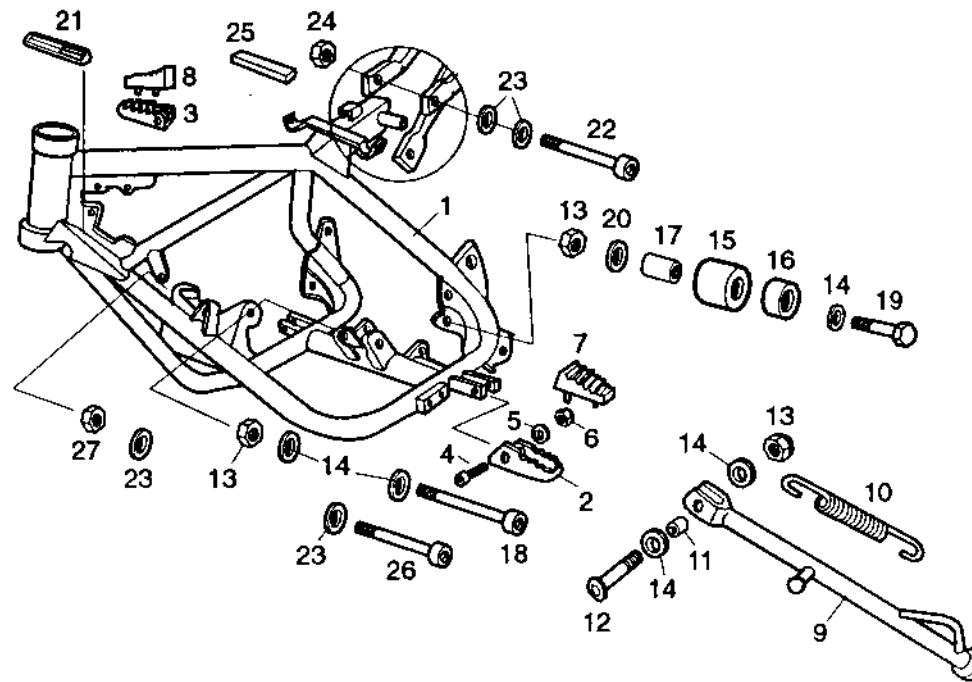


LAMINA 26
DIAGRAM 26





CUADRO - CABALLETE FRAME - KICKSTAND	MODELOS/MODELS: SENDA R SENDA S.M.	Lám. Diag. 1
---	--	--------------------



Figr.	Vers.	CODIGO CODE	DENOMINACION	NAME	MODELOS MODELS	Nº Chasis Frame Num.	Lám. Diagra. 1
01A		00H01908601	R-CTO.CUADRO AZ.ANH.C/PL.SD-R	FRAME	1 3		
01B		00H01908602	R-CTO.CUADRO AZ.AZUR.C/PL.SD-R	FRAME	2		
01C		00H01915601	R-CTO.CUADRO C/PL.SD-R II VER.	FRAME	4 67		
01D		00H01932601	R-SCTO.CUAD.C/PLACA SUPERM.	FRAME	89A		
01E		00H01946601	R-CTO.CUADRO C/PL.S-R/98 ZIRCO	FRAME	B DE		
01F		00H01932602	R-SCTO.CUAD.C/PL.GR.ZIRC.SUPER	FRAME	C FG		
02A		00D01540452	ESTRIB.IZ.AZUL ANHID.SENDA-R	FOOTREST LF.	1 3		
02B		00D01540453	ESTRIB.IZ.AZUL AZUR.SDA-R BL.	FOOTREST LF.	2		
02C		00H01501452	ESTRIBERA IZ.AZ.ANHID.SD-95 AU	FOOTREST LF.	4 6789A		
02D		00H01501454	ESTRIBERA IZ.ZIRCONIO SD-R/98	FOOTREST LF.	BCDEFG		
03A		00D01520092	ESTRIB.DR.AZUL ANHID.SENDA-R	FOOTREST RT.	1 3		
03B		00D01520093	ESTRIB.DR.AZUL AZUR.SDA-R BL.	FOOTREST RT.	2		
03C		00H01501092	ESTRIBERA DR.AZ.ANHID.SD-95 AU	FOOTREST LF.	4 6789A		
03D		00H01501094	ESTRIBERA DR.ZIRCONIO SD-R/98	FOOTREST RT.	BCDEFG		
04A		00000002840	TOR.C/EXAG. 8M125X40.8.8/D-931	HEX.HEAD SCREW 8M125X40 D931	1234 6789ABCDEFG		
05A		00000031080	ARAND.PLANA MECANIZ.D.8.DIN125	MACHINED FLAT WASHER D8 DIN-1	1234 6789ABCDEFG		
06A		00023108000	TCA.AUTOBLOC. 8M125.DIN-985.8	SELF-LOCKING NUT M8	1234 6789ABCDEFG		
07A		00D01510501	PROTECT.ESTRIB.IZ.FDS/89.	LEFT FOOT REST PROTECTOR	123		
07B		00H01500501	PROTECTOR ESTRIB.IZ.SENDA '95	LEFT FOOT REST PROTECTOR	4 6789ABCDEFG		
08A		00D01550101	PROTECT.ESTRIB.DR.FDS/89.	RIGHT FOOT REST PROTECTOR	123		
08B		00H01501101	PROTECTOR ESTRIB.DR.SENDA '95	RIGHT FOOT REST PROTECTOR	4 6789ABCDEFG		
09A		00H00806011	SCTO.PATA CABALLETE GR.ZR.SD-R	SIDE STAND SUB-ASSY	1234 67 B DE		
09B		00H00811011	SCTO.PATA CABALLETE GR.Z.SD.FR	SIDE STAND SUB/ASSY	89A C FG		
10A		00H00801081	MUELLE PATA CABALLETE.SENDA-AG	SIDE STAND SPRING	1234 6789ABCDEFG		
11A		00H00801261	CASQ.GIRO PATA CABALLETE SENDA	SIDE STAND BUSHING	1234 6789ABCDEFG		
12A		00008083000	TOR.C/ESFER.ALLEN. 8M125X30.NEG	SCREW M8X30	1234 67 B DE		
12B		00G00801071	TOR.FIJ.PATA CABALLETE HUNTER	SIDE STAND SECURING SCREW	89A C FG		
13A		00023108000	TCA.AUTOBLOC. 8M125.DIN-985.8	SELF-LOCKING NUT M8	1234 67		
13B		00000021080	TCA.EXAG. 8M125. DIN-934.	HEXAGON NUT 8M125 D934	89A C FG		
14A		00000031080	ARAND.PLANA MECANIZ.D.8.DIN125	MACHINED FLAT WASHER D8 DIN-1	1234 67		
14B		00034000802	ARAND.ESTRELL.INT.D8.DIN6798-J	INNER STAR WASHER D.8	89A C FG		
15A		00H01801771	RODILLO TENSOR CADENA SENDA	CHAIN SUPPORTY GUIDE	1234 6789ABCDEFG		
16A		00H01802781	CASQ.SEPARADOR TENSOR SENDA-R	TENSION ROD ARRESTER SOCKET	1234 6789ABCDEFG		
17A		00002518790	CASQ.GUIA CAD.C4/C7/RD/FD/FDS.	SOCKET CHAIN GUIDE	1234 6789ABCDEFG		
18A		00H02500271	TOR.FIJ.INF.MOTOR.ALL.8M125X90	BOLT, CRANKCASE 8MM1.25X90.	1234 6789ABCDEFG		
19A		00000002860	TOR.C/EXAG.8M125X60 D931 12.9	HEX.HEAD SCREW 8M125X60	1234 6789ABCDEFG		
20A		00003306570	ARAND.FIJ.TRAS.SILLIN.	REAR NUT WASHER OF TOOL BOX	1234 6789ABCDEFG		
21A		00H01811101	PLACA FABRICANTE SENDA L-94	MANUFACTURER'S PLATE	1234 67 B DE		
21B		00H01830101	PLACA FABRICANTE SENDA S.M.	MANUFACTURER'S PLATE	89A C FG		
22A		00H06300171	TOR.FIJ.PARTE TRASERA CHASIS	SCREW	1234 6789ABCDEFG		
23A		00000031100	ARAND.PLANA D.10.D125	MACHINED FLAT WASHER D.10	1234 6789ABCDEFG		

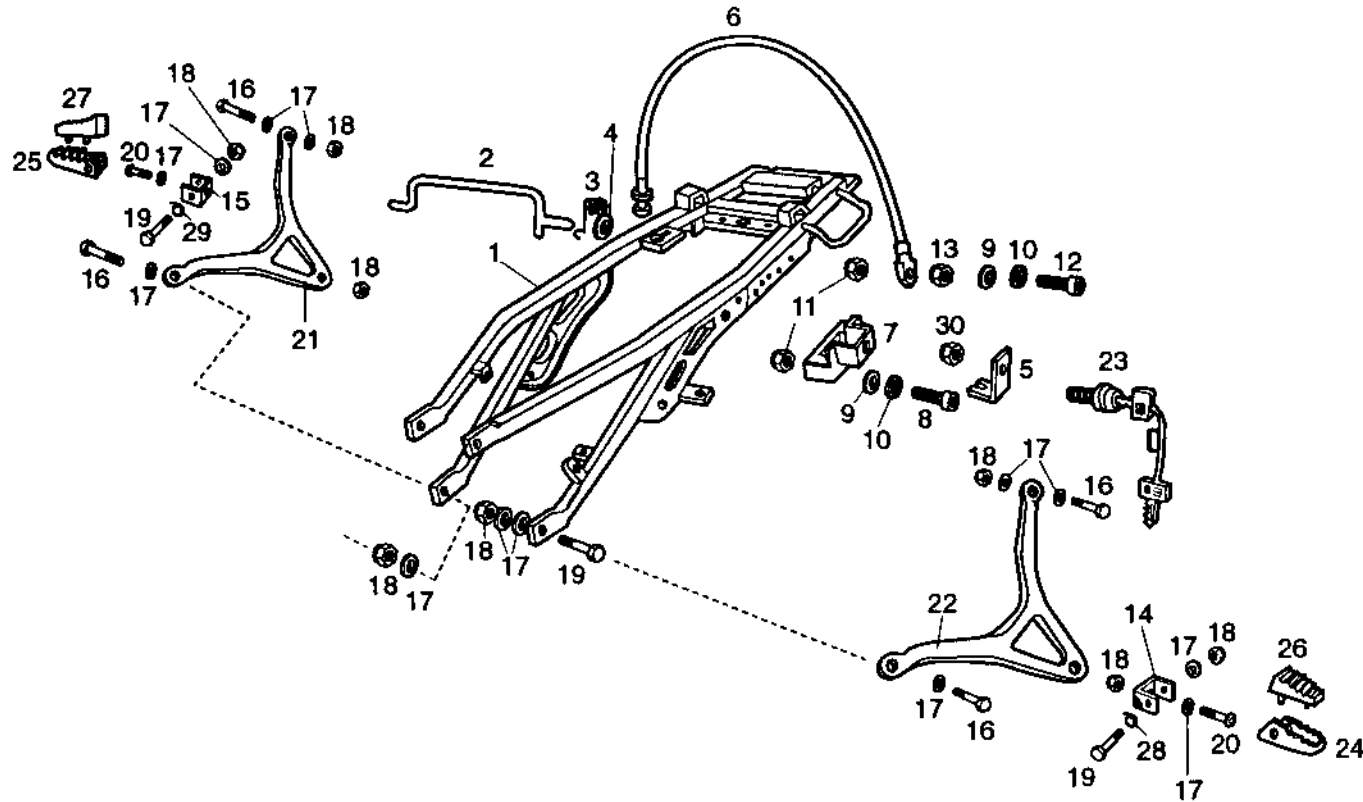
Figr.	Vers.	CODIGO CODE	DENOMINACION	NAME	MODELOS MODELS	Nº Chasis Frame Num.	Lám. Diagra. 1
24A		00000023100	TCA.AUTOBLOC.10M150 D-985/8	SELF-LOCKING NUT M10	1234 6789ABCDEFG		
25A		00G06300681	JUNTA CRISTAL INTTE.VAMOS.	GASKETFOR INDICATOR GLASS	1234 6789ABCDEFG		
26A		00H03000271	TOR.FIJ.DT.MTO.ALL.10M150X100	SCREW	1234 6789ABCDEFG		
27A		00023110000	TCA.AUTOBLOC.10M150.DIN-985.10	SELF-LOCKING NUT 10M150	1234 6789ABCDEFG		



PARTE TRASERA CHASIS
REAR FRAME

MODELOS/MODELS:
SENDA R
SENDA S.M.

Lám.
Diag.
2

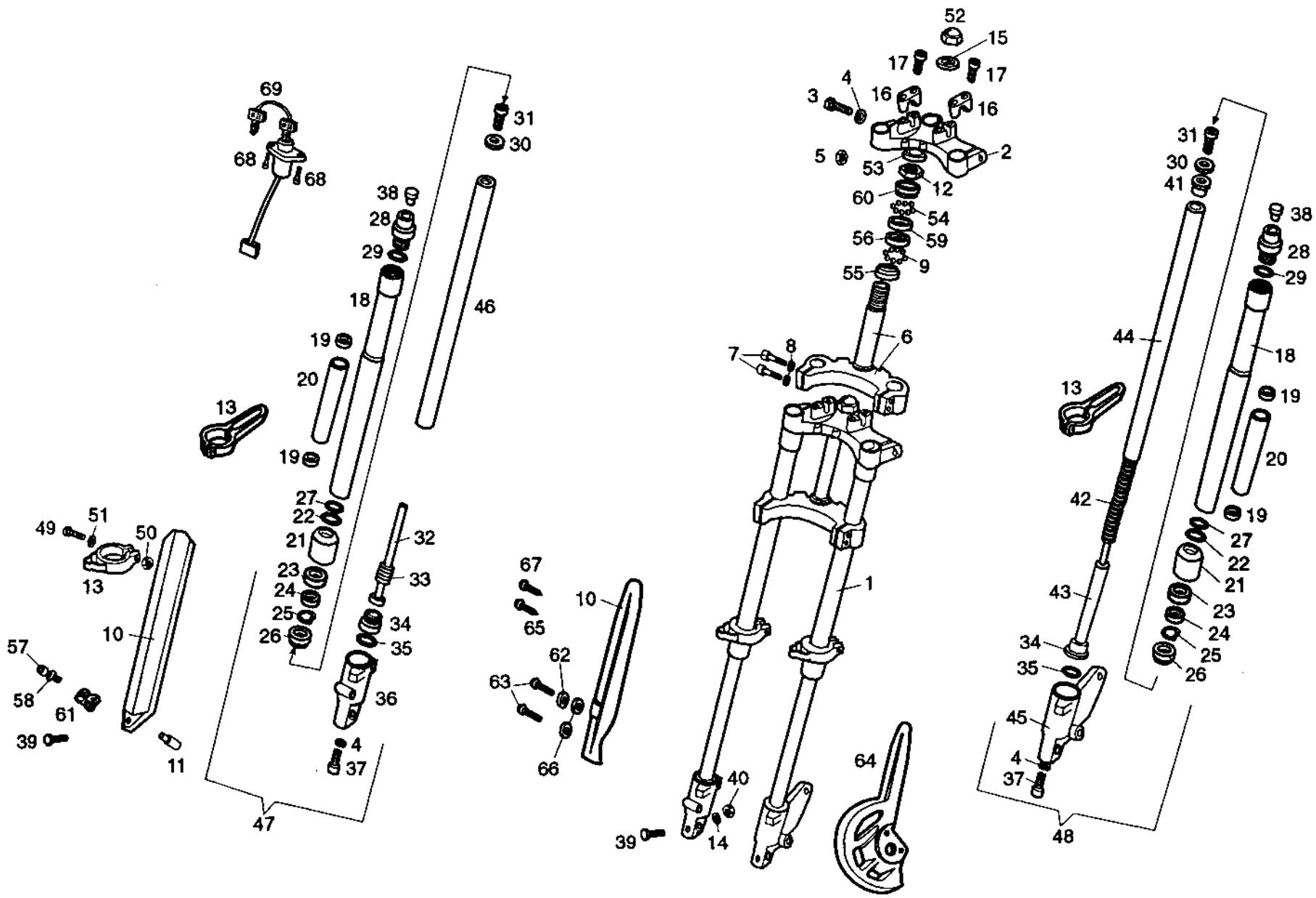


Figr.	Vers.	CODIGO CODE	DENOMINACION	NAME	MODELOS MODELS	Nº Chasis Frame Num.	Lám. Diagra. 2
01A		00H00103341	SCTO.PARTE TR.CHAS.AZ.ANH.SD-R	FRAME SUB-ASSEMBLY	1 34 6789A		
01B		00H00103342	SCTO.PARTE TR.CHAS.AZ.AZUR.SDA	FRAAME SUB-ASSEMBLY	2		
01C		00H00103343	SCTO.PARTE TR.CHAS.ZIRCONIO SD	FRAAME SUB-ASSEMBLY	BCDEFG		
02A		00H06100011	SCTO.VARILLA CIERRE SILLIN	SUPPORT SEAT	1234 6789ABCDEFG		
03A		00H00600181	MUELLE VARILLA CIERRE SILLIN	SPRING	1234 6789ABCDEFG		
04A		00H00600991	ARAND.FIJ.VARILLA CIERRE SILL.	WASHER	1234 6789ABCDEFG		
05A		00H00602141	PALANCA CIERRE SILLIN SENDA R	LEVER	123		
05B		00H00601141	PALANCA CIERRE SILLIN SEND/FEN	LEVER	4 6789ABCDEFG		
06A		00H05101741	CTO.CABLE SUJECION CASCO SENDA	CABLE ASSY HELMET	1234 6789ABCDEFG		
07A		00H00101411	SOPTE.CERRADURA SILLIN SENDA	SUPPORT	1234 6789ABCDEFG		
08A		00012161600	TOR.C/CRUZ.NG.6M100X16.D-7985	PHILIPS SCREW	1234 6789ABCDEFG		
09A		00000031060	ARAND.PLANA MECANIZ.D.6.DIN125	MACHINED FLAT WASHER D6 DIN-1	1234 6789ABCDEFG		
10A		00034000602	ARAND.ESTRELL.INT.D6.DIN6798-J	INNER STAR WASHER 0 6	1234 6789ABCDEFG		
11A		00000023060	TCA.AUTOBLOC. 6M100.DIN-985.8	SELF-LOCKING NUT M6	123 789A C FG		
12A		00012062500	TOR.C/CRUZ 6M100X25.NG.D-7985.	SCREW M6X25	1234 6789ABCDEFG		
13A		00000021060	TCA.EXAG. 6M100. DIN-	HEXAGON NUT 6M100	1234 6789ABCDEFG		
14A		00D02200426	SOPTE.IZ.ESTR.PASAJ.ZIRC.SD-R/	SUPPORT FOR LF.PASSENGER FOOT	BCDEFG		
15A		00D02200446	SOPTE DR.ESTRIB.PASAJ.SDA-R/98	SUPPORT FOR RT.PASSENGER FOOT	BCDEFG		
16A		00000002845	TOR.C/EXAG. 8M125X45.DIN-	HEX.HEAD SCREW 8M125X45	89ABCDEFG		
17A		00000031080	ARAND.PLANA MECANIZ.D.8.DIN125	MACHINED FLAT WASHER D8 DIN-1	1234 6789ABCDEFG		
18A		00023108000	TCA.AUTOBLOC. 8M125.DIN-985.8	SELF-LOCKING NUT M8	1234 6789ABCDEFG		
19A		00000002840	TOR.C/EXAG. 8M125X40.8.8/D-931	HEX.HEAD SCREW 8M125X40 D931	1234 6789ABCDEFG		
20A		00000004820	TOR.C/ALLEN.8M125X20.D-912.8.8	ALLEN-HEAD SCREW 8M125X20	4 6789ABCDEFG		
21A		00H00103703	SCTO.SOPTE.DR.EST.PASAJ.ZIRCON	SUBASSEMBLY FOR RT.PASSENGER	BCDEFG		
22A		00H00103673	SCTO.SOPTE.IZ.EST.PASAJ.ZIRCON	SUBASSEMBLY FOT LF.PASSENGER	BCDEFG		
23A		00H00600681	R-CTO.CERRAD.SILLIN.SENDA.	LOCK ASSY, SADDLE	4 6789ABCDEFG		
24A		00D01540455	ESTRIB.IZ.ZIRCONIO SDA-R/98	FOOTREST LF.	BCDEFG		
25A		00D01520095	ESTRIB.DR.ZIRCONIO SDA-R98	FOOTREST RT.	BCDEFG		
26A		00D01510501	PROTECT.ESTRIB.IZ.FDS/89.	LEFT FOOT REST PROTECTOR	123 BCDEFG		
27A		00D01550101	PROTECT.ESTRIB.DR.FDS/89.	RIGHT FOOT REST PROTECTOR	123 BCDEFG		
28A		00D05900181	MUELLE ARTICUL.ESTRIB.PASAJ.IZ.	LEFT PASSENGER	BCDEFG		
29A		00D05900171	MUELLE ARTICUL.ESTRIB.PASAJ.D.	RIGHT PASSENGER FOOT REST SPR	BCDEFG		
30A		00F04402561	TCA.FIJ.MALETA DT.AF.35 SC.W.C	NUT	123		



HORQUILLA DIRECTRIZ
FRONT FORK

MODELOS/MODELS:
SENDA R
SENDA S.M. Lám.
Diag. 3

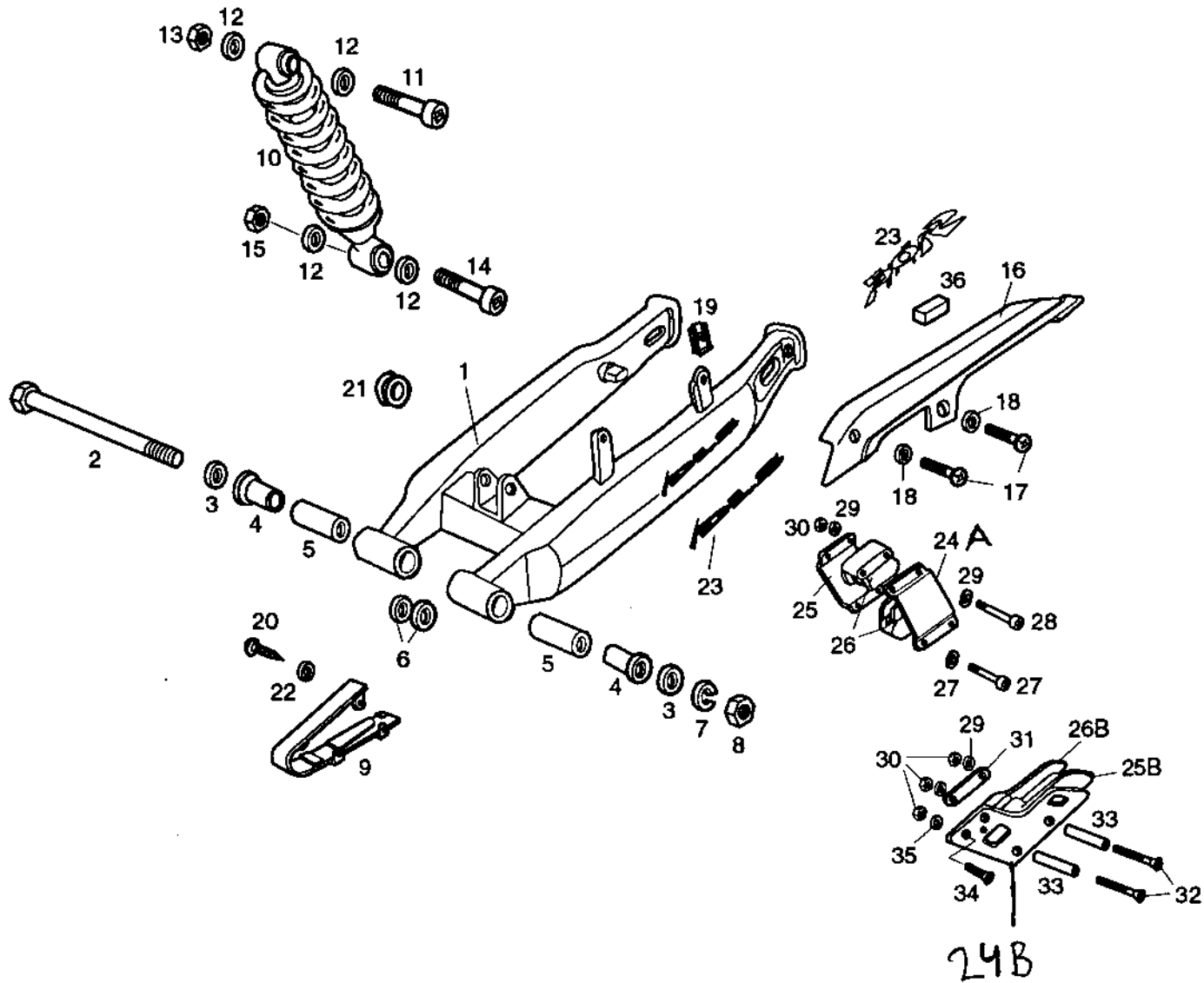


Figr.	Vers.	CODIGO CODE	DENOMINACION	NAME	MODELOS MODELS	Nº Chasis Frame Num.	Lám. Diagra. 3
01A		00H02003711	R-CTO.HORQ.DIRECTRIZ SENDA R	FORK ASSY	1		
01B		00H02003712	R-CTO.HORQ.DIRECTRIZ SD-R BLCA	FORK ASSY	2 4 67	B DE	
01C		00H02003713	R-CTO.HORQ.DIRECT.SD-R VD.TUR.	FORK ASSY	3		
01D		00H02013711	R-CTO.HORQ.DIRECTR.SENDA S.M.	FORK ASSY		89A C FG	
02A		00H00206091	R-PLATINA SUP.HORQ.SENDA R	TRIPLE CLMP, UPPER, BLACK	1234	6789ABCDEF	
03A		00000002845	TOR.C/EXAG. 8M125X45.DIN-	HEX.HEAD SCREW 8M125X45	1234	6789ABCDEF	
04A		00037000800	ARAND.CONICA SEG.D8.0232005-9	CONICAL WASHER	1234	6789ABCDEF	
05A		00000021080	TCA.EXAG. 8M125. DIN-934.	HEXAGON NUT 8M125 D934	1234	6789ABCDEF	
06A		00H00205011	SCTO.TIJA-PLAT.SENDA R	LOWER TRIPLE CLAMP, W/PIN ASS	1234	6789ABCDEF	
07A		00000004630	TOR.C/ALLEN.6M100X30.D-912/8.8	HEX.SOCKET-HEAD SCREW 6MX30	1234	6789ABCDEF	
08A		00037000600	ARAND.CONICA SEG.D6,4.232004-0	WASHER	1234	6789ABCDEF	
09A		00000061080	BOLA.D.8. 16 st	BALL, D.8	1234	6789ABCDEF	
10A		00H04603171	R-PROTECT.PNAS.HORQ.SENDA-R	FORK CAP PROTECTOR	1		
10B		00H04603172	R-PROTECT.BL.PNAS.HORQ.SENDA-R	FORK CAP PROTECTOR	2 4 67	B DE	
10C		00H04603173	R-PROTECT.NG.PNAS.HORQ.SENDA-R	FORK CAP PROTECTOR	3		
10D		00H04604171	PROTECT.PNA.HORQ.SEN.S.M.	FORK CAP PROTECTOR		89A C FG	
11A		00H04601241	CASQ.FIJ.INF.PROTECT.PNA.HORQ.	BUSHING	1234 67	B DE	
12A		00H00201081	R-TCA.REGUL.DIRECCION.SENDA.	NUT, TOP FORK STEM	1234	6789ABCDEF	
13A		00H04602311	R-GUIA SUP.PROT.PNA.HORQ.SD.-R	UPPER GUIDE FOR	1		
13B		00H04602312	R-GUIA SUP.PROT.PNA.HORQ.BL.SD	UPPER GUIDE FOR	2 4 67	B DE	
13C		00H04602313	R-GUIA SUP.PROT.PNA.HORQ.NG.SD	UPPER GUIDE FOR	3		
13D		00H02204591	GUIA CABLES FRENO/CTA.KMS.S.M.	UPPER GUIDE FOR		89A C FG	
14A		00000031080	ARAND.PLANA MECANIZ.D.8.DIN125	MACHINED FLAT WASHER D8 DIN-1	1234	6789ABCDEF	
15A		00H00202101	R-ARAND.FIJ.TIJA HORQ.SENDA R	STEERING STEM WASHER	1234	6789ABCDEF	
16A		00D00200741	BRIDA FIJ.MANILLAR.80-CX6.	HANDLEBAR LOCK CLAMP	1234	6789ABCDEF	
17A		00004184000	TOR.C/ALLEN 8M125X40 NG.D912 8	HEX.SOCKET-HEAD SCREW 8M125X4	1234	6789ABCDEF	
18A		00H00207121	R-PIERNA HORQ.SENDA R	FORK TUBE LOWER	1234	6789ABCDEF	
19A		00H00200151	R-CASQ.GUIA PIERNA HORQ.SENDA	BUSHING	1234	6789ABCDEF	
20A		00H00200261	R-CASQ.INT.PIERNA HORQ.SENDA	BUSHING	1234	6789ABCDEF	
21A		00H00201231	R-GUARDAP.HORQ.SENDA.	DUST PROTECTOR, UPPER FORK	1234	6789ABCDEF	
22A		00H00200331	CIRCLIP PIERNA HORQ.SENDA	SNAP RING	1234	6789ABCDEF	
23A		00H02000881	R-CAZLTA.GUARDAP.HORQ.SENDA	GASKET DUSTGUARD FORK	1234	6789ABCDEF	
24A		00H00201471	R-RETEN PNA.HORQ.SENDA.	SEAL, FORK TUBE.	1234	6789ABCDEF	
25A		00H00200181	CIRCLIP FIJ.RETEN PNA.HORQ.SEN	SNAP RING	1234	6789ABCDEF	
26A		00H00200201	R-SUPMT.GUARDAP.HORQ.SENDA	SUPPLEMENT DUSTGUARD FORK	1234	6789ABCDEF	
27A		00H00201521	R-ANILLO TOR.GUARDAP.HORQ.SEND	O RING	1234	6789ABCDEF	
28A		00H00202271	R-TAPON PNA.HORQ.SENDA R	FORK TUBE CAP	1234	6789ABCDEF	
29A		00H00200631	R-ANILLO TOR.TAPON PNA.HORQ.SN	O RING	1234	6789ABCDEF	
30A		00H00201601	R-ARAND.TOPE MUELLE HORQ.SENDA	WASHER	1234	6789ABCDEF	
31A		00000004125	TOR.C/ALLEN 10M150X25	HEX.SOCKET-HEAD SCREW10M150X2	1234	6789ABCDEF	
32A		00H02000861	R-SCTO.TUBO FINAL CARRERA SEND	FINAL TRAVEL PIPE ASSEMBLY	1234	6789ABCDEF	

Figr.	Vers.	CODIGO CODE	DENOMINACION	NAME	MODELOS MODELS	Nº Chasis Frame Num.	Lám. Diagra. 3
33A		00H00202881	R-MUELLE RECUPERAC.HORQ.SENDA.	SPRING, REBOUND	1234 6789ABCDEFG		
34A		00H00200571	R-TAPON INF.TUBO PRINCIP.SENDA	LOWER PLUG MAIN PIPE	1234 6789ABCDEFG		
35A		00H00200441	R-ANILLO TOR.TAPON INF.SENDA	O RING	1234 6789ABCDEFG		
36A		00H02001831	R-PUNTERA DR.HORQUILLA SENDA	RIGHT FORK CAP	1234 6789ABCDEFG		
37A		00000004825	TOR.C/ALLEN.8M125X25.D- /8.8	ALLEN-HEAD SCREW 8M125X25	1234 6789ABCDEFG		
38A		00H02001541	R-TAPATAL.TAPON PNA.HORQ.SENDA	BOLT PLUG RIGHT FORK LEG	1234 6789ABCDEFG		
39A		00000002850	TOR.C/EXAG. 8M125X50.DIN-931.	HEX.HEAD SCREW 8M125X50 D931	1234 6789ABCDEFG		
40A		00023108000	TCA.AUTOBLOC. 8M125.DIN-985.8	SELF-LOCKING NUT M8	1234 6789ABCDEFG		
41A		00H00200581	R-GUIA MUELLE HORQ.SENDA	SPRING FORK GUIDE	1234 6789ABCDEFG		
42A		00H00202171	R-MUELLE HORQ.SENDA.	FORK SPRING	1234 6789ABCDEFG		
43A		00H00201921	R-SCTO.TUBO VALVULA HORQ.SENDA	TUBE VALVE FRONT FORK	1234 6789ABCDEFG		
44A		00H00202191	TUBO PRINCIPAL.SENDA.	FORK TUBE, UPPER	1234 6789ABCDEFG		
45A		00H02001821	R-PUNTERA IZQUIERDA HORQ.	LEFT FORK CAP	1234 6789ABCDEFG		
46A		00H02000871	R-CTO.BARRA DR.SENDA	MAIN TUBE RIGHT	1234 6789ABCDEFG		
47A		00H02005041	R-CTO.TUBO PIERNA DR.HORQ.SD.R	MAIN TUBE RIGHT ASSY	1234 6789ABCDEFG		
48A		00H02005031	R-CTO.TUBO PIERNA IZ.HORQ.SD.R	MAIN TUBE LEFT ASSY	1234 6789ABCDEFG		
49A		00002054500	TOR.C/EXAG. 5M80X45 DIN-	HEX.HEAD SCREW 5M80X45	1234 6789ABCDEFG		
50A		00000021050	TCA.EXAG. 5M80. DIN-	HEXAGON NUT 5M80	1234 6789ABCDEFG		
51A		00000031050	ARAND.PLANA MEC.D.5.DIN125-B	MACHINED FLAT WASHER D5	1234 6789ABCDEFG		
52A		00H00201111	TCA.FIJ.TIJA.HORQ.SENDA.	STEERING STEM NUT	1234 6789ABCDEFG		
53A		00D00200761	GUARDAPOLVO DIRECCION.80.CX-6.	DUST COVER, STEM	1234 6789ABCDEFG		
54A		00000061040	BOLA.D.4,76. 23	BALL, D.4,76	1234 6789ABCDEFG		
55A		00H02000661	CAZLTA.DIREC.INF.INF.SENDA-R.	UPPER BALL BEARING RACE	1234 6789ABCDEFG		
56A		00E02000651	CAZLTA.DIREC.INF.SUP.SCOOT.	LOWER/UPPER BALL BEARING RACE	1234 6789ABCDEFG		
57A		00000004650	TOR.C/ALLEN.6M100X50.D-912.8.8	HEX.SOCK-HEAD SCR.6M100X50D91	1234 67 B DE		
58A		00000031060	ARAND.PLANA MECANIZ.D.6.DIN125	MACHINED FLAT WASHER D6 DIN-1	1234 67 B DE		
59A		00H00200061	CAZLTA.DIRECC.GUIA EXTER.SENDA	OUTER STEM BEARING RACE	1234 6789ABCDEFG		
60A		00003102070	CAZLTA.DIRECC.INF.ANTORCHA.	LOWER BALL BEARING RACE	1234 6789ABCDEFG		
61A		00H02200591	SCTO.SOPTE.FIJ.TUBO FRENO DT.	FRONT BRAKE TUBE SECURING BRA	1234 67 B DE		
62A		00H06800611	ARAND.FIJ.PROT.PNA.HORQ.S.M.	WASHER	89A C FG		
63A		00008061500	TOR.C/RED.ALL.6M100X16.D7380	ALLEN ROUND HEAD SCREW 6M100X	89A C FG		
64A		00H04605171	PROTECT.DISCO SENDA S.M.	FORK CAP PROTECTOR	89A C FG		
65A		00011141900	TOR.AUTR.C/CRUZ.4,2X19.D7981NG	SELF-THREADING HEAD.SCR.4,2X1	89A C FG		
66A		00D01200171	ARAND.EJE LEVA-FIJ.CUBRECAD.	WASHER	89A C FG		
67A		00011041600	TOR.AUTR.C/CRUZ.4,2X16.D-7981.	SELF THR. SCREW	89A C FG		
68A		00000004820	TOR.C/ALLEN.8M125X20.D-912.8.8	ALLEN-HEAD SCREW 8M125X20	123		
69A		00H01610381	CTO.CERRAD.CONTACTO.BI-3.	SCHLOSS	123		



BASCULANTE - AMORTIGUADOR SWING ARM - SHOCK ABSORBER	MODELOS/MODELS: SEDA R SEDA S.M.	Lám. Diag. 4
---	---	---



Figr.	Vers.	CODIGO CODE	DENOMINACION	NAME	MODELOS MODELS	Nº Chasis Frame Num.	Lám. Diagra. 4
01A		00H00300971	R-SCTO.BASCULANTE C/C.SENDA-R	SWING ARM SUB-ASSEMBLY	1		
01B		00H00301971	R-SCTO.BASCTE.C/C.SENDA '95 AU	SWING ARM SUB-ASSY	123	H029458	
01C		00H00303971	R-SCTO.BASCTE.C/C.SENDA R'97	SWING ARM SUB-ASSY	4 6789ABCDEF		
02A		00002503410	SCTO.EJE BASCTE.C-4.	SWING ARM SUB-ASSEMBLY	1234 6789ABCDEF		
03A		00003112320	ARAND.EJE RUEDA.12'25X20X2.	FRONT WHEEL AXLE WASHER	1234 6789ABCDEF		
04A		00002503230	CASQ.EJE BASCTE.C-4.	SWING ARM BUSHING	1234 6789ABCDEF		
05A		00H00301401	CASQ.CARTELA MOTOR.SENDA.	ENGINE BRACKET BUFFER BUSHING	1234 6789ABCDEF		
06A		00D01300191	ARAND.EJE RUEDA TRAS.	WHEEL AXLE WASHER	1234 6789ABCDEF		
07A		00000033120	ARAND.MUELLE. D.12.DIN-127-B.	SPRING WASHER D12 D127	1234 67 B DE		
08A		00021012001	TCA.EXAG.12M150.DIN-934/10.	HEX NUT, 12 MM X 1.50	123		
08B		00000023120	TCA.AUTOBLOC. 12M150. DIN-985.	SELF-LOCKING NUT 12M150	4 6789ABCDEF		
09A		00H01801331	PLACA ROZAMTO.CADENA.SENDA.	CHAIN FRICTION PLATE	1		
09B		00H01803331	PLACA ROZAMTO.CADENA.SDA-R AL.	CHAIN FORCHIN PLATE/FLARGE	1234 6789ABCDEF	H029458	
10A		00H01501192	CTO.AMORTIGUADOR SENDA-R	SHOCK ABSORVER	12		
10A 01		00H01503192	CTO.AMORTIGD.SENDA R AL.	SHOCK ABSORVER	1234 6789ABCDEF		
11A		00004115000	TOR.C/ALL.12M175X50.D-912/8.8.	HEX.SOCKET-HEAD SCREW	1234 6789ABCDEF		
12A		00003115420	ARAND.FIJ.AMORTIGD.ANTORCHA.	SWING ARM LOCK WASHER	1234 6789ABCDEF		
13A		00023112000	TCA.AUTOBLOC.12M175.D-985/8.8.	SELF-LOCKING NUT 12M175	1234 6789ABCDEF		
14A		00D01520411	TOR.ALLEN FIJ.AMORTIGUAD. FDS	SCREW ALLEN SHOCK ABSORB.MOUN	1234 6789ABCDEF		
15A		00000023120	TCA.AUTOBLOC. 12M150. DIN-985.	SELF-LOCKING NUT 12M150	1234 6789ABCDEF		
16A		00H01501181	CUBRECADENA.SENDA.	CHAIN GUARD.	1		
16B		00H01505181	CUBRECADENA SENDA-95 AUSTRIA	CHAIN COVER	1234 6789ABCDEF	H029458	
17A		00012161600	TOR.C/CRUZ.NG.6M100X16.D-7985	PHILIPS SCREW	1234 6789ABCDEF		
18A		00D01200171	ARAND.EJE LEVA-FIJ.CUBRECAD.	WASHER	123 789A C FG		
19A		00D01501371	TCA.FIJ.CUBRECAD.212827	NUT	1234 6789ABCDEF		
20A		00011141300	TOR.AUT.C/CR.NG.4,8X13.D-7981B	SCREW, SELF TAPPING 4.8MM13	1234 6789ABCDEF		
21A		00G03500341	SILENT.FIJ.PEDAL IZQUIERDO	SILENTBLOCK	1		
22A		00D02600631	ARAND.TOPE MUELLE EMBRG.4-6V.	CLUTCH SPRING STOP WASHER	1234 6789ABCDEF		
23A		00H00300331	CALCA 50R BASCULANTE SENDA-R	DECAL	1		
23B		00H00301331	CALCA DLS BASCTE.SENDA '95 AU.	DECAL, DLS	1234 6789ABCDEF	H029458	
24A		00H01800721	PLACA IZ.GUIA CADENA SDA-R EXP	LF.CHAIN GUIDE PLATE	123	H029458	
24B		00H01801721	PLACA IZ.GUIA CADENA SDA-R'97	LF.CHAIN GUIDE PLATE	4 6789ABCDEF		
25A		00H01801291	PLACA DR.GUIA CADENA SD-R EXP.	RT.CHAIN GUIDE PLATE	123	H029458	
25B		00H01802291	GUIA INT.GUIA CADENA SDA-R'97	RT.CHAIN GUIDE PLATE	4 6789ABCDEF		
26A		00D01810771	GUIA SOPTE.CADENA.SV/91	CHAIN SUPPORT GUIDE	123	H029458	
26B		00H01803771	GUIA EXT.GUIA CADENA SDA-R'97	CHAIN SUPPORT GUIDE	4 6789ABCDEF		
27A		00004053000	TOR.C/ALLEN.5M80X30.D-912/8.8.	HEX. SOCKET-HEAD SCREW5M80X30	123	H029458	
28A		00004154000	TOR.C/ALLEN.5M80X40.NEG.D-912.	HEX.SOCKET-HEAD SCREW5M80X40	123	H029458	
29A		00000031050	ARAND.PLANA MEC.D.5.DIN125-B	MACHINED FLAT WASHER D5	1234 6789ABCDEF	H029458	
30A		00000023051	TCA.AUTOBLOC. 5M80. DIN-982.	SELF-LOCKING NUT 5M80	1234 6789ABCDEF	H029458	
31A		00H01800811	PLACA FIJ.GUIA CADENA SD-R'97	RT.CHAIN GUIDE PLATE	4 6789ABCDEF		

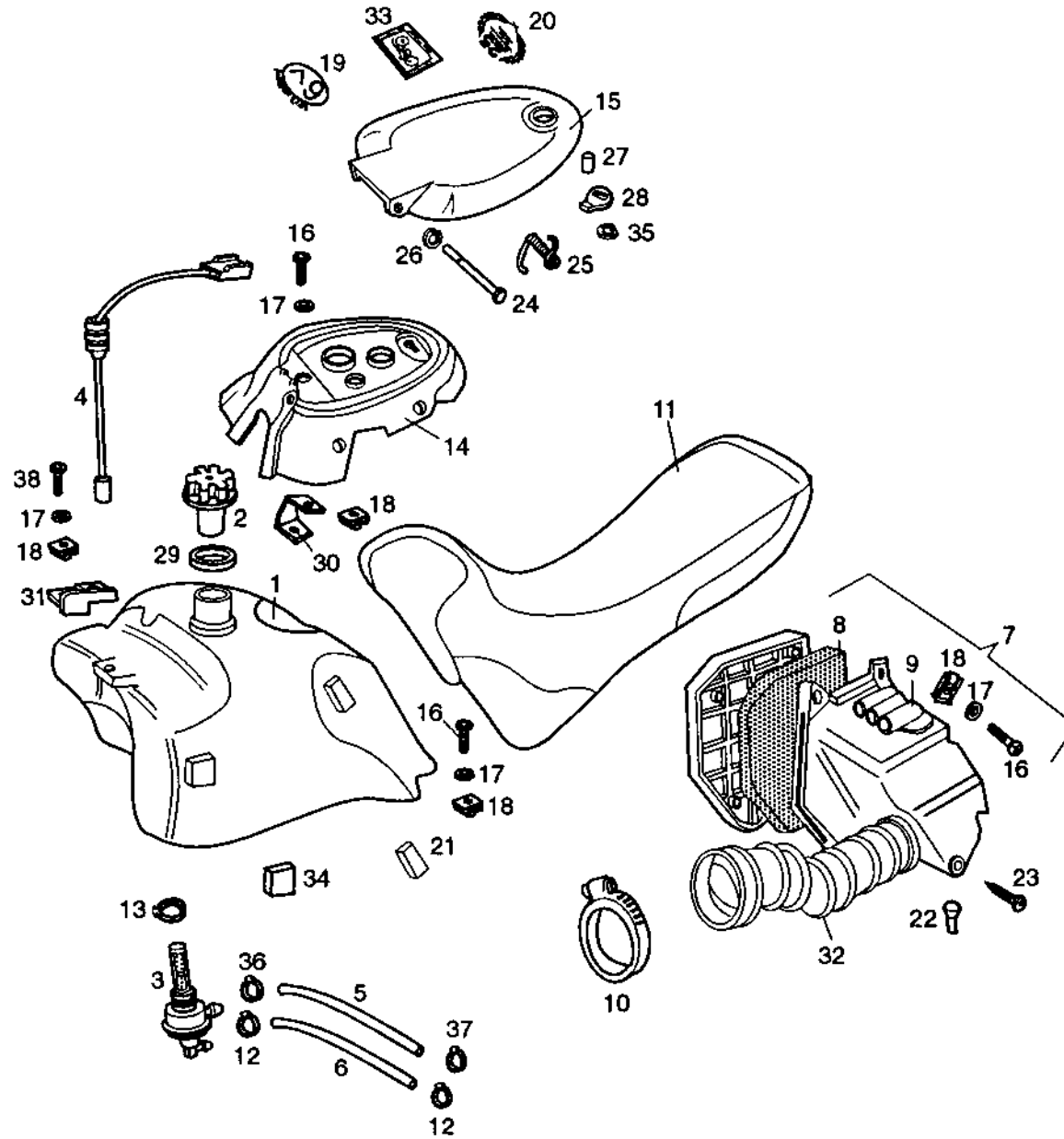
Figr.	Vers.	CODIGO CODE	DENOMINACION	NAME	MODELOS MODELS	Nº Chasis Frame Num.	Lám. Diagra. 4
32A		00013054500	TOR.C/AVELL.ALL.5M80X45.D-	SCREW	4 6789ABCDEFG		
33A		00H01801791	CASQ.PLACA GUIA CADENA SDA-97.	BUSHING	4 6789ABCDEFG		
34A		00000013612	TOR.AV.ALL.6M100X12.D-7991	SOCKET-HEAD SCREW 6M100X12	4 6789ABCDEFG		
35A		00000031060	ARAND.PLANA MECANIZ.D.6.DIN125	MACHINED FLAT WASHER D6 DIN-1	4 67 B DE		
36A		00H06300841	TOPE CUBRECADENAS FENIX	CHAIN GUARD STOP-END	4 6789ABCDEFG		



DEPOSITO - CAJA FILTRO - SILLIN
FUEL TANK - FILTER BOX - SEAT

MODELOS/MODELS:
SENDA R
SENDA S.M.

Lám.
Diag.
5



Figr.	Vers.	CODIGO CODE	DENOMINACION	NAME	MODELOS MODELS	Nº Chasis Frame Num.	Lám. Diagra. 5
01A		00H00400011	DEPOSITO GASOLINA.SENDA.	FUEL TANK	1234 6789ABCDEF		
02A		00F00400131	CTO.TAPON DEPTO.GASOLINA V.BOX	FUEL TANK CAP ASSY	1234 6789ABCDEF		
03A		00G00400181	CTO.GRIFO GASOLINA.	FUEL COCK ASSY	1234 6789ABCDEF		
04A		00H04301181	CTO.NIVEL GASOLINA.SENDA.	GAS LEVEL SENSOR ASSY.	1234 6789ABCDEF		
05A		00H00402321	TUBO GASOLINA SDA.ALEM.	FUEL PIPE	1234 6789ABCDEF		
06A		00H06200061	TUBO DEPRESION SENDA	DEPRESSION PIPE	1234 6789ABCDEF		
07A		00H01800541	CTO.CAJA FILTRO.SENDA.	AIR FILTER BOX	1234 6789ABCDEF		
08A		00H03201251	ESPUMA FILTRO AIRE SENDA	AIR FILTER MESH	1234 6789ABCDEF		
09A		00D03210491	TUBO ASPIRACION.YUMBO.FD.	AIR INTAKE	1234 6789ABCDEF		
10A		00H03200271	ABRAZ.FUELLE ADMIS.D.50-70	CLAMP INTAKE	1234 6789ABCDEF		
11A		00H00601013	CTO.SILLIN.SENDA-R	SEAT	1		
11B		00H00601015	CTO.SILLIN.SENDA-R/95 BLANCO	SEAT	2		
11C		00H00601016	CTO.SILLIN.SDA-R/96 VDE.TURMAL	SEAT	3		
11D		00H00603011	CTO.SILLIN.SDA-R'97 L.E. AMAR.	SEAT	4		
11E		00H00603012	CTO.SILLIN.SDA-R'97 L.E. VD.PR	SEAT.	6		
11F		00H00603013	CTO.SILLIN.SDA-R'97 L.E. ROJ-K	SEAT.	7		
11G		00H00606011	CTO.SILLIN SDA.SUPER MOTARD	SEAT	89A		
11H		00H00603014	CTO.SILLIN.SDA-R'98	SEAT.	B DE		
11I		00H00605014	CTO.SILLIN.S.M.'98	SEAT.	C FG		
12A		00D03700131	ABRAZ.ELAST.9,8-10,4.	ELASTIC CLAMP	1234 6789ABCDEF		
13A		00008204500	ABRAZ.FIJ.GRIFO.16-25.	FUEL COCK SECURING CLAMP	1234 6789ABCDEF		
14A		00H01504221	TAPA DEPTOS.SENDA-R	PETROL TANK COVER	1		
14B		00H01504222	TAPA DEPTOS.BLANCO SENDA-R	PETROL TANK COVER	2		
14C		00H01504223	TAPA DEPTOS.VD.TURMAL.SDA-R	PETROL TANK COVER	3		
14D		00H01505224	CARCASA SUP.DEP.AMARIL.SD-R97	PETROL TANK COVER	4 9		
14E		00H01505225	TAPA DEPTOS.VD.PR.SDA-R97 L.E.	PETROL TANK COVER	6 A F		
14F		00H01505221	CARCASA SUP.DEP.ROJO SD-R EXP.	PETROL TANK COVER	78 C		
14G		00H00403711	R-SCTO.CARS.SUP.DEPTO.BL.SD-R	NACELLE, FUEL TANK SUB-ASSY	B DE		
14H		00H01505226	TAPA DEPTOS.NEGRO S.M./98	PETROL TANK COVER	G		
15A		00H00402681	SCTO.TAPA SUP.DEPSTO.R-K.SD-R.	TOP TANK FRAME	1 78 C		
15B		00H00402682	SCTO.TAPA SUP.DEPSTO.BLC.SD-R.	TOP TANK FRAME	2 B DE		
15C		00H00402683	SCTO.TAPA SUP.DEP.VD.TUR.SD-R.	TOP TANK FRAME	3		
15D		00H00402684	SCTO.TAPA SUP.DEP.AMARIL.SD-R.	TOP TANK FRAME	4 9		
15E		00H00402685	SCTO.TAPA SUP.DEP.VDE.PR.SD-R.	TOP TANK FRAME	6 A F		
15F		00H00402682	SCTO.TAPA SUP.DEPSTO.BLC.SD-R.	TOP TANK FRAME	2 B DE		
15G		00H00402686	SCTO.TAPA SUP.DEP.NEGRO S.M/98	TOP TANK FRAME	G		
16A		00012161600	TOR.C/CRUZ.NG.6M100X16.D-7985	PHILLIPS SCREW	1234 6789ABCDEF		
17A		00D01200171	ARAND.EJE LEVA-FIJ.CUBRECAD.	WASHER	123 789ABCDEF		
18A		00D01501371	TCA.FIJ.CUBRECAD.212827	NUT	1234 6789ABCDEF		
19A		00H01503731	CALCA 6V.TAPA SUP.DPSTO.SDA-R	TOP TANK COVER DECAL	1		
19B		00H01503732	CALCA 6V.TAPA SUP.DEP.SD-R BL.	TOP TANK COVER DECAL	2		

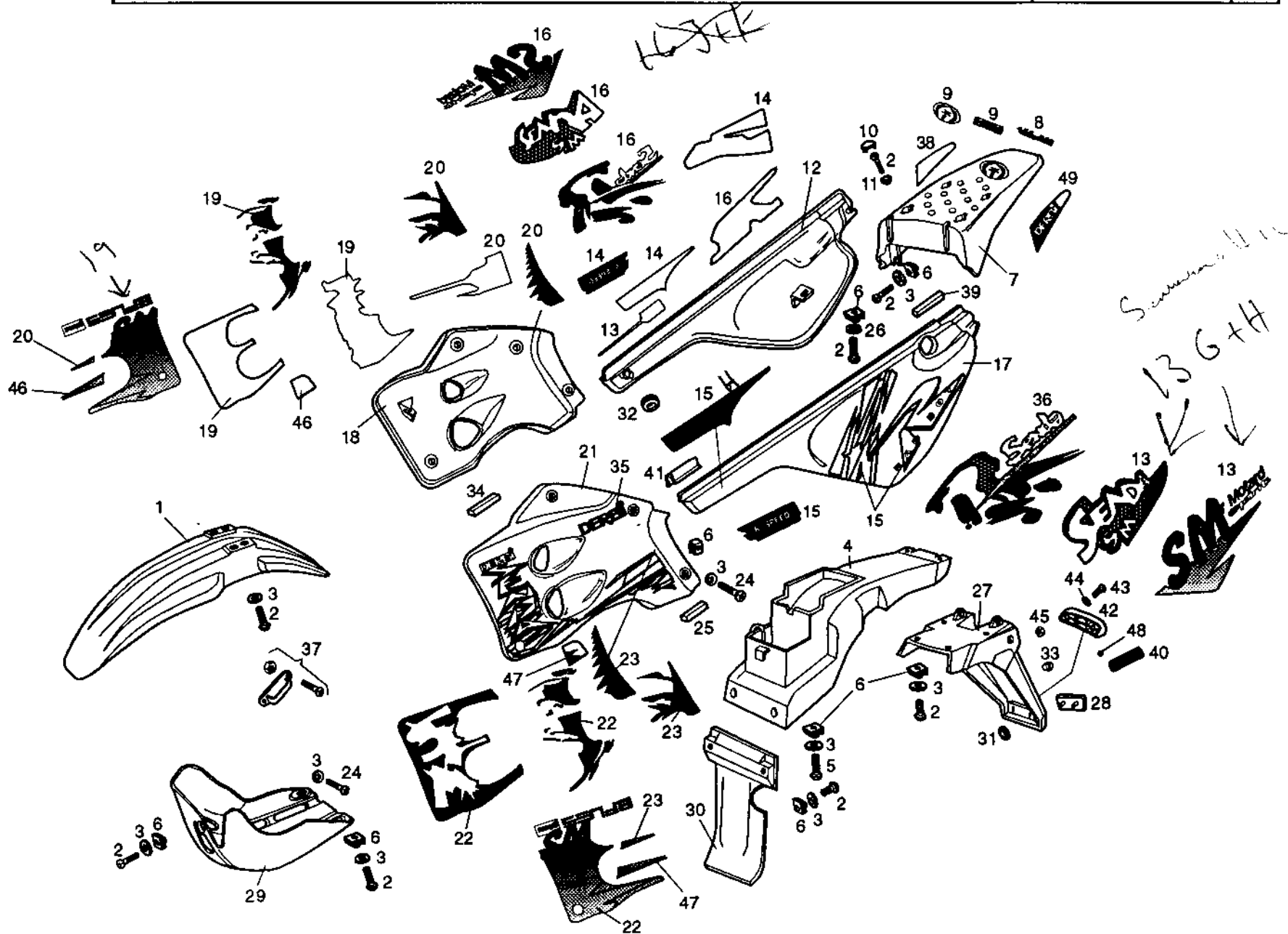
Figr.	Vers.	CODIGO CODE	DENOMINACION	NAME	MODELOS MODELS	Nº Chasis Frame Num.	Lám. Diagra. 5
19C		00H01503733	CALCA 6V.TAPA SUP.DEP.SD-R V.T	TOP TANK COVER DECAL	3		
20A		00F04601371	CALCA 25 ANIVERSARIO	DECAL	12		
20A	01				12		
21A		00H06300771	TOPE LATERALES CARENADO.SENDA.	SIDE STOP,S-ENDS INTEGRATED F	1234 6789ABCDEFGF		
22A		00004322460	TOPE PALCA.ARRQ.COPPA.	GROMMET,KICK STARTER	1234 6789ABCDEFGF		
23A		00011041900	TOR.AUTR.C/CRUZ.4,8X19.DIN7981	SELF-THREADING HEAD.SCR.4.8X1	1234 6789ABCDEFGF		
24A		00H06301751	EJE ARTICUL.TAPA SUP.DPTO.FEN.	AXLE	1234 6789ABCDEFGF		
25A		00H06301761	MUELLE ARTIC.TAPA SUP.DEPTO.FN	SPRING	1234 6789ABCDEFGF		
26A		00047030400	ANILLO SEG.EJES D.4.DIN-6799.	PIN SECURING CIRCLIP D4. DIN-	1234 6789ABCDEFGF		
27A		00008239450	TOPE MORDAZAS.	BUMPER, CLUTCH SHOE	1234 6789ABCDEFGF		
28A		00H06200121	PALANCA CIERRE TAPA DEP.SDA-R	PETROL BANK COVER CLOSURE TOG	123		
28B		00G00601141	PALANCA CIERRE SILLIN.VAMOS.	LEVER	4 6789ABCDEFGF		
29A		00F00400771	R-ARAND.TAPON DEPOSITO	FUEL TANK CAP WASHER	1234 6789ABCDEFGF		
30A		00H01502051	OREJA FIJ.DT.CARC.DEPTO.SDA.R	LUG FASTERING PET.TANK FRAME	1234 6789ABCDEFGF		
31A		00H00400051	PLACA FIJ.DEPTO.GASOLINA.SENDA	LEVER	123		
32A		00H03202261	TUBO ADMISION.SENDA-R	INTAKE PIPE	1234 6789ABCDEFGF		
33A		00H04611141	CALCA PRESION NEUMAT.SENDA-R	DECAL	1234 67 B DE		
33B		00H04621141	CALCA PRESION NEUM.SDA.S.M.	DECAL	89A C FG		
34A		00H03800571	TOPE DPTO.GASOLINA	FUEL TANK STOP END.	1234 6789ABCDEFGF		
35A		00000047307	ANILLO SEG.EJES D7 D6799	CIRCLIP D7 D6799	123		
36A		00H00400501	ABRAZ.ELAST.TUBO GAS.	FUEL PIPE ELASTIC CLAMP	1234 6789ABCDEFGF		
37A		00F03710131	ABRAZ.ELAST.D.8'6.	CLAMP	1234 6789ABCDEFGF		
38A		00000012620	TOR.C/RED.CRUC.6M100X20.DIN-	SCREW,6M100X20	1234 6789ABCDEFGF		



GUARDABARROS - MONTAJE CHASIS
MUDGUARDS - CHASSIS COMPONENTS

MODELOS/MODELS:
SENDA R
SENDA S.M.

Lám.
Diag.
6



D = grön

Figr.	Vers.	CODIGO CODE	DENOMINACION	NAME	MODELOS MODELS	Nº Chasis Frame Num.	Lám. Diagra. 6
01A		00H00705021	R-GUARDAB.DTR.SENDA R	FRONT MUDGUARD	1		
01B		00H00705022	R-GUARDAB.DTR.BLANCO SE-R	FRONT MUDGUARD ASSY	2		
01C		00H00705023	R-GUARDAB.DTR.V.TURM.SEN-R	FRONT MUDGUARD ASSY	3		
01D		00H00705024	GUARDAB.DT.AMARILLO.SD-R'97	FRONT MUDGUARD	4		
01E		00H00705025	GUARDAB.DT.VERDE PR.S.R.'97	FRONT MUDGUARD	6		
01F		20H00705021	GUARDAB.DT.SENDA-R	FRONT MUDGUARD ASSY	7		
01G		00H00709021	GUARDAB.DT.SENDA S.M.ROJO K	FRONT MUDGUARD ASSY	8	C	
01H		00H00706024	GUARDA.DTRO.SENDA S.M.AMARILLO	FRONT MUDGUARD	9		
01I		00H00706025	GUARDAB.DT.VERDE PR.SEND.S.M.	FRONT MUDGUARD		A	F
01J		00H00705022	GUARDAB.DT.BLANCO SENDA-R	FRONT MUDGUARD	2		B DE
01K		00H00705026	GUARDAB.DT.NEGRO S.M./98	FRONT MUDGUARD			G
02A		00012161600	TOR.C/CRUZ.NG.6M100X16.D-7985	PHILIPS SCREW	1234	6789	ABCDEFG
03A		00D01200171	ARAND.EJE LEVA-FIJ.CUBRECAD.	WASHER 123		789	ABCDEFG
04A		00H00701121	GUARDAB.TRAS.SENDA.	REAR FENDER	1234	6789	ABCDEFG
05A		00012061200	TOR.C/R.CR.6M100X12.NG.D-7985.	SCREW M6X12	1234	6789	ABCDEFG
06A		00D01501371	TCA.FIJ.CUBRECAD.212827	NUT	1234	6789	ABCDEFG
07A		00H00605641	SCTO.COLIN SILLIN C/C.SD.R'95	SEAT BASE W/DECAL	1		
07B		00H00604642	SCTO.COLIN SILLIN C/C.SD-R BL.	SEAT BASE W/DECAL	2		
07C		00H00605642	SCTO.COLIN SILLIN SD-R'96 V.TU	SEAT BASE W/DECAL	3		
07D		00H00603164	COLIN SILLIN AMARILLO SDA-R'97	SEAT BASE	4	9	
07E		00H00603165	COLIN SILLIN.VDE.PRADO SD-R'97	SEAT BASE	6	A	F
07F		00H00603161	COLIN SILLIN.SENDA-R	SEAT BASE	78	C	
07G		00H00603162	COLIN SILLIN BLANCO SENDA-R	SEAT BASE	2		B DE
07H		00H00603166	COLIN SILLIN.NEGRO S.M./98	SEAT BASE			G
08A		00H00602601	CALCA COLIN SILLIN SENDA-R	SEAT BASE DECAL	1		
08B		00H00602602	CALCA COLIN SILLIN SDA-R BL.	SEAT BASE DECAL	2		
08C		00H00602603	CALCA COLIN SILL.SD-R V.TURM.	SEAT BASE DECAL	3		
08D		00H00602611	CALCA IZ.COLIN SILLIN SD.S.M.	DECAL		8	
08E		00H00602612	CALCA IZ.COLIN SILLIN SD.S.M.	DECAL		9	
08F		00H00602613	CALCA IZ.COLIN SILLIN SD.S.M.	DECAL		A	
09A		00G00700261	CALCA SUPLMTO.TR.CUADRO VAM-94	DECAL	1234	67	
09B		00H04900231	CALCA DERBI 8 VECES GPR50R	DERBI 8 TIMES TRANSFER GPR 5			BCDEFG
10A		00H06100101	TAPON TALADROS COLIN SILLIN	PLUG	1	78	C
10B		00H06100102	TAPON BLANCO TAL.COLIN SILLIN	PLUG	2		B DE
10C		00H06100103	TAPON VDE.TURM.TAL.COLIN SILL.	PLUG	3		
10D		00H06100104	TAPON AMARILLO.TAL.COLIN SILL.	PLUG	4	9	
10E		00H06100105	TAPON VERDE PR.TAL.COLIN SILL.	PLUG	6	A	F
10F		00H06100106	TAPON NEGRO PR.TAL.COLIN SILL.	PLUG			G
11A		00H05901581	CASQ.FIJ.PROTECTORES PNA.HORQ.	BUSHING	1234	6789	ABCDEFG
12A		00H00506691	R-SCTO.TAPA LAT.DR.C/C.SENDA-R	RIGHT HAND SIDE COVER	1		
12B		00H00506692	R-SCTO.TAPA LAT.DR.C/C.SD-R BL	RIGHT HAND SIDE COVER	2		

B = R00
D = GR0N

Figr.	Vers.	CODIGO CODE	DENOMINACION	NAME	MODELOS MODELS	Nº Chasis Frame Num.	Lám. Diagra. 6
12C		00H00506693	R-SCTO.TAPA LAT.DR.SD-R V.TUR.	RIGHT HAND SIDE COVER	3		
12D		00H00509691	R-SCTO.TAPA LAT.DR.C/C.SD.AMAR	RIGHT HAND SIDE COVER	4		
12E		00H00509692	R-SCTO.TAPA LAT.DR.SD.VD.PRADO	RIGHT HAND SIDE COVER	6		
12F		00H00509693	R-SCTO.TAPA LAT.DR.SD.ROJO-K	RIGHT HAND SIDE COVER	7		
12G		00H00511691	R-SCTO.TAPA LAT.DR.C/C.SD.S.M.	RIGHT HAND SIDE COVER	8		
12H		00H00512691	R-SCTO.TAPA LAT.DR.C/C.SD.S.M.	RIGHT HAND SIDE COVER	9		
12I		00H00513691	R-SCTO.TAPA LAT.DR.C/C.SD.S.M.	RIGHT HAND SIDE COVER	A		
12J		00H00515691	R-SCTO.TAPA LAT.DR.BL.C/C SD-R	RIGHT HAND SIDE COVER	B		
12K		00H00516691	R-SCTO.TAPA LAT.DR.BL.C/C SD-R	RIGHT HAND SIDE COVER	D		
12L		00H00517691	R-SCTO.TAPA LAT.DR.BL.C/C SD-R	RIGHT HAND SIDE COVER	E		
12M		00H00518691	R-SCTO.TAPA LAT.DR.BL.C/C S.M.	RIGHT HAND SIDE COVER	C F		
12N		00H00519691	R-SCTO.TAPA LAT.DR.NEGRA S.M.	RIGHT HAND SIDE COVER	G		
13A		00H00501191	CALCA TAPA LAT.SENDA-R	SIDE COVER DECAL	1		
13B		00H00501192	CALCA TAPA LAT.SD-R BLANCO	SIDE COVER DECAL	2		
13C		00H00501193	CALCA TAPA LAT.SD-R VDE.TURM.	SIDE COVER DECAL	3		
13D		00H00505191	CALCA POST.TAPA LAT.IZ.SD-S.M.	SIDE COVER DECAL	8		
13E		00H00505192	CALCA POST.TAPA LAT.IZ.SD-S.M.	SIDE COVER DECAL	9		
13F		00H00505193	CALCA POST.TAPA LAT.IZ.SD-S.M.	SIDE COVER DECAL	A		
13G		00H00506191	CALCA POST.TAPA LAT.IZ.SD-R/98	SIDE COVER DECAL	B		
13H		00H00506193	CALCA POST.TAPA LAT.IZ.SD-R/98	SIDE COVER DECAL	D		
13I		00H00506192	CALCA POST.TAPA LAT.IZ.SD-R/98	SIDE COVER DECAL	E		
13J		00H00507191	CALCA POST.TAPA LAT.IZ.S.M./98	SIDE COVER DECAL	C F		
13K		00H00507192	CALCA POST.TAPA LAT.IZ.S.M./98	SIDE COVER DECAL	G		
14A		00H00503221	CALCA TAPA LAT.DR.SENDA-R	RT.COVER DECAL	1		
14B		00H00503222	CALCA TAPA LAT.DR.SDA-R BLANCA	RT.COVER DECAL	2		
14C		00H00503223	CALCA TAPA LAT.DR.SD-R V.TURM.	RT.COVER DECAL	3		
14D		00H00505221	CALCA TAPA LAT.DR.SDA-R'97	RT.COVER DECAL	4 67		
14E		00H00508221	CALCA DT.TAPA LAT.DR.SDA.S.M.	DECAL	8		
14F		00H00508222	CALCA DT.TAPA LAT.DR.SDA.S.M.	DECAL	9		
14G		00H00508223	CALCA DT.TAPA LAT.DR.SDA.S.M.	DECAL	A		
14H		00H00510221	CALCA TAPA LAT.DR.SDA-R/98	RT.COVER DECAL	BCDEF		
15A		00H00503641	CALCA TAPA LAT.IZ.SENDA-R	LF.SIDE COVER DECAL	1		
15B		00H00503642	CALCA TAPA LAT.IZ.SD-R BL.	LF.SIDE COVER DECAL	2		
15C		00H00503643	CALCA TAPA LAT.IZ.SD-R V.TURM.	LF.SIDE COVER DECAL	3		
15D		00H00504641	CALCA TAPA LAT.IZ.SENDA-R'97	DECAL	4 67		
15E		00H00507641	CALCA DT.TAPA LAT.IZ.SDA.S.M.	DECAL	8		
15F		00H00507642	CALCA DT.TAPA LAT.IZ.SDA.S.M.	DECAL	9		
15G		00H00507643	CALCA DT.TAPA LAT.IZ.SDA.S.M.	DECAL	A		
15H		00H00509641	CALCA TAPA LAT.IZ.SDA-R/98	DECAL	BCDEF		
16A		00H00501651	CALCA POST.TAPA LAT.DR.SDA-R	REAR SIDE COVER DECAL	1		
16B		00H00501652	CALCA POST.TAPA LAT.DR.SD-R BL	REAR SIDE COVER DECAL	2		

~~1~~ + U

Suart long

D=GRON B=ROD

Figr.	Vers.	CODIGO CODE	DENOMINACION	NAME	MODELOS MODELS	Nº Chasis Frame Num.	Lám. Diagra. 6
16C		00H00501653	CALCA POST.TAPA LAT.DR.SD-R V.	REAR SIDE COVER DECAL	3		
16D		00H00502651	CALCA POST.TAPA LAT.DR.SD-R LE	REAR SIDE COVER DECAL	4		
16E		00H00502653	CALCA POST.TAPA LAT.DR.SD-R VD	REAR SIDE COVER DECAL	6		
16F		00H00502652	CALCA POST.TAPA LAT.DR.SD-R RK	REAR SIDE COVER DECAL	7		
16G		00H00503651	CALCA POST.TAPA LAT.DR.SD-S.M.	REAR SIDE COVER DECAL	8		
16H		00H00503652	CALCA POST.TAPA LAT.DR.SD-S.M.	REAR SIDE COVER DECAL	9		
16I		00H00503653	CALCA POST.TAPA LAT.DR.SD-S.M.	REAR SIDE COVER DECAL		A	
16J		00H00504651	CALCA POST.TAPA LAT.DR.SD-R/98	REAR SIDE COVER DECAL		B	
16K		00H00504653	CALCA POST.TAPA LAT.DR.SD-R/98	REAR SIDE COVER DECAL		D	
16L		00H00504652	CALCA POST.TAPA LAT.DR.SD-R/98	REAR SIDE COVER DECAL		E	
16M		00H00505651	CALCA POST.TAPA LAT.DR.S.M./98	REAR SIDE COVER DECAL		C F	
16N		00H00505652	CALCA POST.TAPA LAT.DR.S.M./98	REAR SIDE COVER DECAL		G	
17A		00H00506701	R-SCTO.TAPA LAT.IZ.C/C.SENDA-R	LEFT HAND SIDE COVER	1		
17B		00H00506702	R-SCTO.TAPA LAT.IZ.C/C.SD-R BL	LEFT HAND SIDE COVER	2		
17C		00H00506703	R-SCTO.TAPA LAT.IZ.SD-R V.TUR.	LEFT HAND SIDE COVER	3		
17D		00H00509701	R-SCTO.TAPA LAT.IZ.C/C.SD.AMAR	LEFT HAND SIDE COVER	4		
17E		00H00509702	R-SCTO.TAPA LAT.IZ.SD.VD.PRADO	LEFT HAND SIDE COVER	6		
17F		00H00509703	R-SCTO.TAPA LAT.IZ.SD.ROJO-K	LEFT HAND SIDE COVER	7		
17G		00H00511701	R-SCTO.TAPA LAT.IZ.C/C.SD.S.M.	LEFT HAND SIDE COVER	8		
17H		00H00512701	R-SCTO.TAPA LAT.IZ.C/C.SD.S.M.	LEFT HAND SIDE COVER	9		
17I		00H00513701	R-SCTO.TAPA LAT.IZ.C/C.SD.S.M.	LEFT HAND SIDE COVER		A	
17J		00H00515701	R-SCTO.TAPA LAT.IZ.C/C.SD-R/98	LEFT HAND SIDE COVER		B	
17K		00H00516701	R-SCTO.TAPA LAT.IZ.C/C.SD-R	LEFT HAND SIDE COVER		D	
17L		00H00517701	R-SCTO.TAPA LAT.IZ.C/C.SD-R/98	LEFT HAND SIDE COVER		E	
17M		00H00518701	R-SCTO.TAPA LAT.IZ.C/C.S.M./98	LEFT HAND SIDE COVER		C F	
17N		00H00519701	R-SCTO.TAPA LAT.IZ.C/C.NGR.S.M	LEFT HAND SIDE COVER		G	
18A		00H04404801	R-SCTO.TAPA DT.DR.C/C.SENDA-R	LOWER RIGHT-HAND ADORNMENT WI	1		
18B		00H04404802	R-SCTO.TAPA DT.DR.C/C.SD-R BL.	LOWER RIGHT-HAND ADORNMENT WI	2		
18C		00H04404803	R-SCTO.TAPA DT.DR.SD-R V.TUR.	LOWER RIGHT-HAND ADORNMENT WI	3		
18D		00H04408801	R-SCTO.TAPA DT.DR.SDA-R/97 AM.	LOWER RIGHT-HAND ADORNMENT	4		
18E		00H04408802	R-SCTO.TAPA DT.DR.SD-R V.PRADO	LOWER RIGHT-HAND ADORNMENT	6		
18F		00H04408803	R-SCTO.TAPA DT.DR.SD-R ROJO-K	RIGHT-HAND FRONT COVER SUB-AS	7		
18G		00H04409801	R-SCTO.TAPA DT.DR.SDA.S.M.ROJO	LOWER RIGHT-HAND ADORNMENT	8		
18H		00H04410801	R-SCTO.TAPA DT.DR.SDA.S.M.AMAR	LOWER RIGHT-HAND ADORNMENT	9		
18I		00H04411801	R-SCTO.TAPA DT.DR.SDA.S.M.VERD	LOWER RIGHT-HAND ADORNMENT		A	
18J		00H04412801	R-SCTO.TAPA DT.DR.SDA-R/98 ROJ	LOWER RIGHT-HAND ADORNMENT		B	
18K		00H04412802	R-SCTO.TAPA DT.DR.SDA-R/98 VDE	LOWER RIGHT-HAND ADORNMENT		D GRON	
18L		00H04412803	R-SCTO.TAPA DT.DR.SDA-R/98 AZU	LOWER RIGHT-HAND ADORNMENT		E	
18M		00H04412804	R-SCTO.TAPA DT.DR.SDA-S.M./98	LOWER RIGHT-HAND ADORNMENT		C	
18N		00H04412805	R-SCTO.TAPA DT.DR.SDA-S.M./98	LOWER RIGHT-HAND ADORNMENT		F	
18P		00H04412806	R-SCTO.TAPA DT.DR.SDA-S.M./98	LOWER RIGHT-HAND ADORNMENT		G	

Figr.	Vers.	CODIGO CODE	DENOMINACION	NAME	MODELOS MODELS	Nº Chasis Frame Num.	Lám. Diagra. 6
19A		00H04902561	CALCA TAPA DT.DR.SENDA-R	LOWER RIGHT-HAND COVER DECAL	1		
19B		00H04902562	CALCA TAPA DT.DR.SD-R BLANCA	LOWER RIGHT-HAND COVER DECAL	2		
19C		00H04902563	CALCA TAPA DT.DR.SD-R V.TURM.	LOWER RIGHT-HAND COVER DECAL	3		
19D		00H04903561	CALCA TAPA DT.DR.SENDA-R'97	LOWER RIGHT-HAND COVER DECAL	4		
19E		00H04903563	CALCA TAPA DT.DR.SDA-R'97 VDE.	LOWER RIGHT-HAND COVER DECAL	6		
19F		00H04903562	CALCA TAPA DT.DR.SDA-R'97 R-K	LOWER RIGHT-HAND COVER DECAL	7		
19G		00H04904561	CALCA TAPA DT.DR.SDA-R-K S.M.	LOWER RIGHT-HAND COVER DECAL	8		
19H		00H04904562	CALCA TAPA DT.DR.SDA-AMAR.S.M.	LOWER RIGHT-HAND COVER DECAL	9		
19I		00H04904563	CALCA TAPA DT.DR.SDA-V.PR.S.M.	LOWER RIGHT-HAND COVER DECAL	A		
19J		00H04906561	CALCA ANT.TAPA DT.DR.S-R/98	LOWER RIGHT-HAND COVER DECAL	B		
19K		00H04906563	CALCA ANT.TAPA DT.DR.S-R/98	LOWER RIGHT-HAND COVER DECAL	D		
19L		00H04906562	CALCA ANT.TAPA DT.DR.S-R/98	LOWER RIGHT-HAND COVER DECAL	E		
19M		00H04907561	CALCA ANT.TAPA DT.DR.S.M/98	DECAL	C		
19N		00H04907562	CALCA ANT.TAPA DT.DR.S.M/98	DECAL	F		
19P		00H04907563	CALCA ANT.TAPA DT.DR.S.M/98	DECAL	G		
20A		00H04402821	CALCA POST.TAPA DT.DR.SENDA-R	REAR RIGHT-HAND COVER DECAL	1		
20B		00H04402822	CALCA POST.TAPA DT.DR.SD-R BL.	REAR RIGHT-HAND COVER DECAL	2		
20C		00H04402823	CALCA POST.TAPA DT.DR.SD-R V.T	REAR RIGHT-HAND COVER DECAL	3		
20D		00H04403821	CALCA POST.TAPA DT.DR.SD-R L.E	REAR RIGHT-HAND COVER DECAL	4 67		
20E		00H04404821	CALCA POST.TAPA DT.DR.SD.S.M.	DECAL	89A		
20F		00H04407821	CALCA SUP.DR.CAREN.SDA-R/98	REAR RIGHT-HAND COVER DECAL	B		
20G		00H04407823	CALCA SUP.DR.CAREN.SDA-R/98	REAR RIGHT-HAND COVER DECAL	D		
20H		00H04407822	CALCA SUP.DR.CAREN.SDA-R/98	REAR RIGHT-HAND COVER DECAL	E		
20I		00H04408821	CALCA SUP.DR.CAREN.S.M./98	DECAL	C		
20J		00H04408822	CALCA SUP.DR.CAREN.S.M./98	DECAL	F		
20K		00H04408823	CALCA SUP.DR.CAREN.S.M./98	DECAL	G		
21A		00H04405831	R-SCTO.TAPA DT.IZ.C/C SENDA-R.	FRONT COVER LEFT SIDE	1		
21B		00H04405832	R-SCTO.TAPA DT.IZ.C/C SD-R.BL.	FRONT COVER LEFT SIDE	2		
21C		00H04405833	R-SCTO.TAPA DT.IZ.SD-R.V.TUR.	FRONT COVER LEFT SIDE	3		
21D		00H04406831	R-SCTO.TAPA DT.IZ.C/C SDA-R.AM	FRONT COVER LEFT SIDE	4		
21E		00H04406832	R-SCTO.TAPA DT.IZ.SDA-R.V.PRAD	FRONT COVER LEFT SIDE	6		
21F		00H04406833	R-SCTO.TAPA DT.IZ.SDA-R'97 R-K	FRONT COVER LEFT SIDE	7		
21G		00H04407831	R-SCTO.TAPA DT.IZ.C/C SDA.S.M.	FRONT COVER LEFT SIDE	8		
21H		00H04408831	R-SCTO.TAPA DT.IZ.C/C SDA.S.M.	FRONT COVER LEFT SIDE	9		
21I		00H04409831	R-SCTO.TAPA DT.IZ.C/C SDA.S.M.	FRONT COVER LEFT SIDE	A		
21J		00H04410831	R-SCTO.TAPA DT.IZ.C/C SDA-R/98	FRONT COVER LEFT SIDE	B	800	
21K		00H04410832	R-SCTO.TAPA DT.IZ.C/C SDA-R/98	FRONT COVER LEFT SIDE	D		
21L		00H04410833	R-SCTO.TAPA DT.IZ.C/C SDA-R/98	FRONT COVER LEFT SIDE	E		
21L 01		00H04410833	R-SCTO.TAPA DT.IZ.C/C SDA-R/98	FRONT COVER LEFT SIDE	E		
21M		00H04410834	R-SCTO.TAPA DT.IZ.C/C S.M./98	FRONT COVER LEFT SIDE	C		
21N		00H04410835	R-SCTO.TAPA DT.IZ.C/C S.M./98	FRONT COVER LEFT SIDE	F		

H5

Figr.	Vers.	CODIGO CODE	DENOMINACION	NAME	MODELOS MODELS	Nº Chasis Frame Num.	Lám. Diagra. 6
21P		00H04410836	R-SCTO.TAPA DT.IZ.C/C S.M./98	FRONT COVER LEFT SIDE			G
22A		00H04902571	CALCA TAPA DT.IZ.SENDA-R	FRONT COVER LEFT DECAL	1		
22B		00H04902572	CALCA TAPA DT.IZ.SD-R BLANCA	FRONT COVER LEFT DECAL	2		
22C		00H04902573	CALCA TAPA DT.IZ.SD-R VDE.TURM	FRONT COVER LEFT DECAL	3		
22D		00H04903571	CALCA TAPA DT.IZ.SENDA-R'97	FRONT COVER LEFT DECAL	4		
22E		00H04903573	CALCA TAPA DT.IZ.SDA-R'97 VDE.	FRONT COVER LEFT DECAL	6		
22F		00H04903572	CALCA TAPA DT.IZ.SDA-R'97 R-K	FRONT COVER LEFT DECAL	7		
22G		00H04904571	CALCA TAPA DT.IZ.SDA-R-K S.M.	FRONT COVER LEFT DECAL	8		
22H		00H04904572	CALCA TAPA DT.IZ.SDA-AMARILLA	FRONT COVER LEFT DECAL	9		
22I		00H04904573	CALCA TAPA DT.IZ.SDA-V.PR.S.M.	FRONT COVER LEFT DECAL		A	
22J		00H04906571	CALCA ANT.TAPA DT.IZ.SDA-R/98	FRONT COVER LEFT DECAL		B	
22K		00H04906573	CALCA ANT.TAPA DT.IZ.SDA-R/98	FRONT COVER LEFT DECAL		D	Vän
22L		00H04906572	CALCA ANT.TAPA DT.IZ.SDA-R/98	FRONT COVER LEFT DECAL		E	
22M		00H04907571	CALCA ANT.TAPA DT.IZ.S.M./98	FRONT COVER LEFT DECAL		C	
22N		00H04907572	CALCA ANT.TAPA DT.IZ.S.M./98	FRONT COVER LEFT DECAL		F	
22P		00H04907573	CALCA ANT.TAPA DT.IZ.S.M./98	FRONT COVER LEFT DECAL		G	
23A		00H04600561	CALCA POST.TAPA DT.IZ.SENDA-R	REAR LOWER LEFT-HAND COVER DE	1		
23B		00H04600562	CALCA POST.TAPA DT.IZ.SD-R BL.	REAR LOWER LEFT-HAND COVER DE	2		
23C		00H04600563	CALCA POST.TAPA DT.IZ.SD-R V.T	REAR LOWER LEFT-HAND COVER DE	3		
23D		00H04601561	CALCA POST.TAPA DT.IZ.SD-R L.E	REAR LOWER LEFT-HAND COVER DE	4 67		
23E		00H04602561	CALCA POST.TAPA DT.IZ.SD.S.M.	REAR LOWER LEFT-HAND COVER DE		89AB DE	
23F		00H04605561	CALCA SUP.IZ.CAREN.SDA-R/98	REAR LOWER LEFT-HAND COVER DE		B	
23G		00H04605563	CALCA SUP.IZ.CAREN.SDA-R/98	REAR LOWER LEFT-HAND COVER DE		D	
23H		00H04605562	CALCA SUP.IZ.CAREN.SDA-R/98	REAR LOWER LEFT-HAND COVER DE		E	
24A		00008061500	TOR.C/RED.ALL.6M100X16.D7380	ALLEN ROUND HEAD SCREW 6M100X	1234 67		
25A		00H06800091	TOPE INF.TAPA DT.SENDA R	STOP	1234 6789ABCDEF		
26A		00H00500211	ARAND.FIJ.TAPA LAT.(BICR)SENDA	WASHER	1234 6789ABCDEF		
27A		00H00704341	SUPLMTO.GUARDAB.TR.SENDA-R	SUPPLEM. REAR FENDER	123		
27B		00H00700341	SUPLMTO.GUARDAB.TRAS.	SUPPLEM. REAR FENDER	4 67	B DE	
27C		00H00709341	SUPLMTO.GUARD.TR.SENDA S.M.	SUPPLEM. REAR FENDER		89A C FG	
28A		00H04400751	CAPTAFAROS TRAS.ROJO.GPR/75.	REAR REFLECTOR	1234 6789ABCDEF		
29A		00H01500822	PROTECT.MOTOR.SENDA-R	ENGINE PROTECTION PLATE	1234 67	B DE	
30A		00H00701381	PROTECT.AMORTIGUAD.SENDA.	SHOCK ABSORVER ASSY.PROTECTOR	1234 6789ABCDEF		
31A		00G06300671	ARAND.FIJ.SUPLMTO.TRAS.CUADRO	REAR FRAME EXTENSION SECURING	1234 67	B DE	
32A		00H00501761	SILENT.FIJ.TAPAS LAT.SENDA	SILENTBLOCK	1234 6789ABCDEF		
33A		00F04301941	TAPON ALOJAMTO.CHECK CONTROL	CAP	123		
34A		00H06302771	TOPE SUP.TAPA DT.SENDA R	RT.HAND SIDE COVER TOP END.	1234 6789ABCDEF		
35A		00D00710264	CALCA DERBI TAPAS DTRS.SD-R LE	DERBI DECAL	4 67		
36A		00H00503191	CALCA POST.TAPA LAT.IZ.SD-R LE	SIDE COVER DECAL	4		
36B		00H00503193	CALCA POST.TAPA LAT.IZ.SD-R VD	SIDE COVER DECAL	6		
36C		00H00503192	CALCA POST.TAPA LAT.IZ.SD-R RK	SIDE COVER DECAL	7		

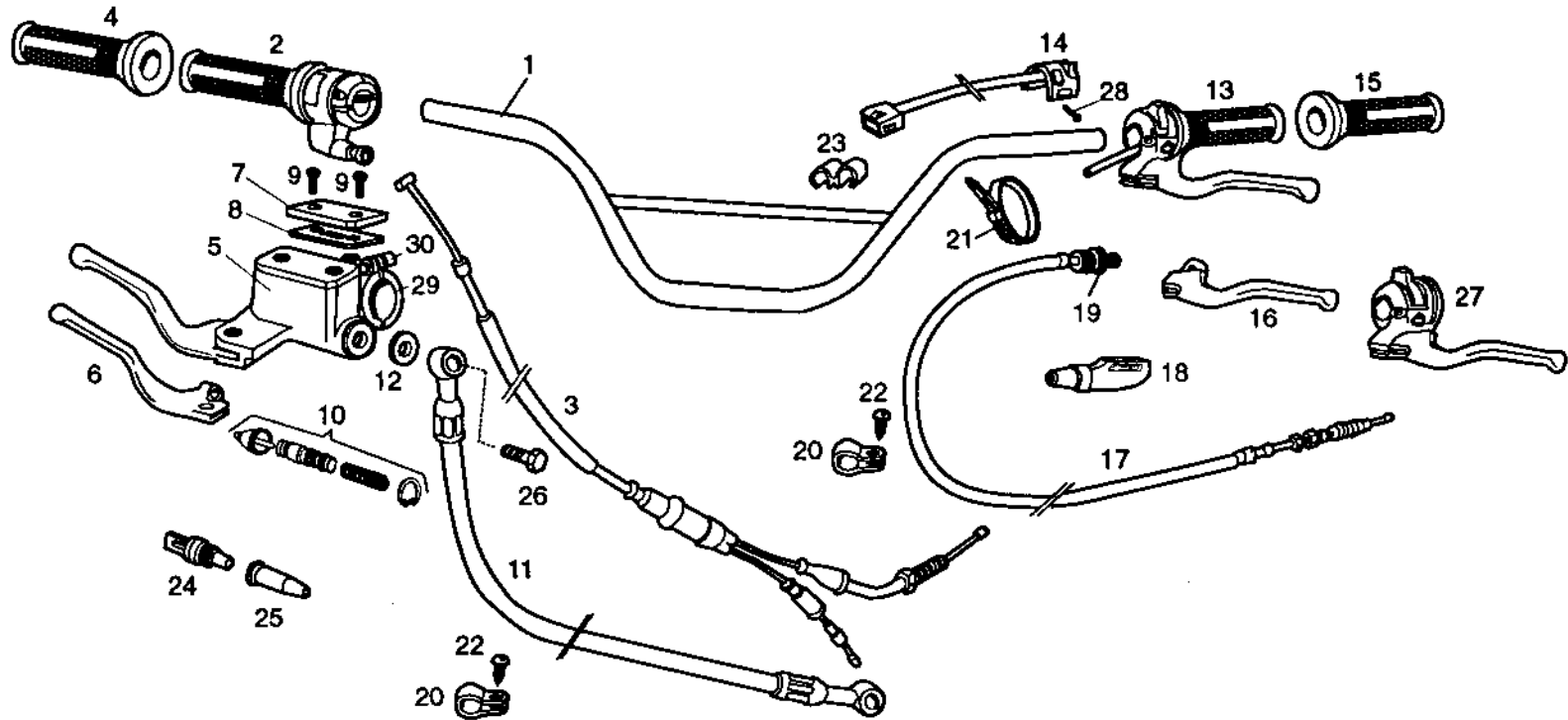
Figr.	Vers.	CODIGO CODE	DENOMINACION	NAME	MODELOS MODELS	Nº Chasis Frame Num.	Lám. Diagra. 6
37A		00H02202591	R-CTO.GUIA TUBO LIQUIDO FR.DT.	GUIDE FRONT LIQUID TUBE	123		
38A		00H00603601	CALCA DR.COLIN SILLIN SD.S.M.	DECAL	8		
38B		00H00603602	CALCA DR.COLIN SILLIN SD.S.M.	DECAL	9		
38C		00H00603603	CALCA DR.COLIN SILLIN SD.S.M.	DECAL	A		
39A		00H01502301	TOPE POST.TAPA LAT.SENDA R	LEFT HAND SIDE COVER STOP END	1234 6789ABCDEF		
40A		00F01800081	CAPTAFAROS DT/TR.AMB.SC-ST.EXP	FRONT REFLECTOR	89A C FG		
41A		00H06800091	TOPE INF.TAPA DT.SENDA R	STOP	1234 6789ABCDEF		
42A		00G01500571	SOPT.E.PLACA MATRICULA.	HOLDER, LICENCE PLATE	89A C FG		
43A		00012151500	TOR.C/RED.CRUZ.5M8OX16.D7985NG	ROUND HD CROSSHD SCREW	89A C FG		
44A		00000031050	ARAND.PLANA MEC.D.5.DIN125-B	MACHINED FLAT WASHER D5	89A C FG		
45A		00000023051	TCA.AUTOBLOC. 5M80. DIN-982.	SELF-LOCKING NUT 5M80	89A C FG		
46A		00H04603091	CALCA TAPA DT.DR.SD.S.M.R-K	DECAL	8		
46B		00H04603092	CALCA TAPA DT.DR.SD.S.M.AMAR.	DECAL	9		
46C		00H04603093	CALCA TAPA DT.DR.SD.S.M.VERDE	DECAL	A		
46D		00H04604091	CALCA POST.INF.TAPA DL.DR.ROJO	DECAL	B		
46E		00H04604093	CALCA POST.INF.TAPA DL.DR.VDE	DECAL	D		
46F		00H04604092	CALCA POST.INF.TAPA DL.DR.AZUL	DECAL	E		
46G		00H04605091	CALCA POST.INF.TAPA DL.DR.	DECAL	C		
46H		00H04605092	CALCA POST.INF.TAPA DL.DR.	DECAL	F		
46I		00H04605093	CALCA POST.INF.TAPA DL.DR.	DECAL	G		
47A		00H04603101	CALCA TAPA DT.IZ.SD.S.M.R-K	DECAL	8		
47B		00H04603102	CALCA TAPA DT.IZ.SD.S.M.AMAR.	DECAL	9		
47C		00H04603103	CALCA TAPA DT.IZ.SD.S.M.VERDE	DECAL	A		
47D		00H04604101	CALCA POST.INF.TAPA DL.IZ.ROJO	DECAL	B		
47E		00H04604103	CALCA POST.INF.TAPA DL.IZ.VDE	DECAL	D		
47F		00H04604102	CALCA POST.INF.TAPA DL.IZ.AZUL	DECAL	E		
47G		00H04605101	CALCA POST.INF.TAPA DL.IZ.	DECAL	C		
47H		00H04605102	CALCA POST.INF.TAPA DL.IZ.	DECAL	F		
47I		00H04605103	CALCA POST.INF.TAPA DL.IZ.	DECAL	G		
48A		00G06300671	ARAND.FIJ.SUPLEMTO.TRAS.CUADRO	REAR FRAME EXTENSION SECURING	89A C FG		
49A		00H00602611	CALCA IZ.COLIN SILLIN SD.S.M.	DECAL	8		
49B		00H00602612	CALCA IZ.COLIN SILLIN SD.S.M.	DECAL	9		
49C		00H00602613	CALCA IZ.COLIN SILLIN SD.S.M.	DECAL	A		



MANILLAR Y MANDOS
HANDLEBAR AND CONTROLS

MODELOS/MODELS:
SENDA R
SENDA S.M.

Lám.
Diag.
7



Figr.	Vers.	CODIGO CODE	DENOMINACION	NAME	MODELOS MODELS	Nº Chasis Frame Num.	Lám. Diagra. 7
01A		00D00910015	SCTO.MANILLAR GRIS ZIRC.SD-R.	HANDLEBAR, GREY	1234 6789ABCDEF		
02A		00D02100621	CTO.PUÑO GAS.	THROTTLE GRIP ASSEMBLY	1234 6789ABCDEF		
03A		00H00906171	SCTO.CABLE-FUNDA GAS SENDA-R	CABLE ASSY THROTTLE	123		
03B		00H00903171	CTO.CABLE-FUNDA GAS.SDA.ALEM.	CABLE ASSY TRHOTTLE	4 6789ABCDEF		
04A		00F00930091	R-EMPUÑ.GAS.V.W.CH1372.02.1550	GRIP, THROTTLE	1234 6789ABCDEF		
05A		00D02180081	CTO.MANDO FRENO DT.AJP.FDS/89.	HYDRAULIC BRAKE CONTROL ASSY	12		
05A	01	00H02101081	R-CTO.MANDO FR.DT.SENDA R '95	FRONT BRAKE LEVER/CYLINDER AS	1234	H032680	
05A	02	00G02102081	R-CTO.MANDO FR.DT.HUNTER	FRONT BRAKE LEVER/CYLINDER AS	1234 6789ABCDEF		
06A		00H00901201	R-MANETA FRENO DTRO.SENDA R	FRONT BRAKE LEVER/MASTER CYLI	1234		
06A	01	00G00901201	R-MANETA FRE.DT.13376010	FRONT BRAKE LEVER 1234 6789A			
06A	02	00F00902291	R-MANETA FRENO DT.TR.FURAX	FRONT,REAR BRAKE LEVER	1234 6789ABCDEF		
07A		00D02110191	TAPA DEP.LIQ.FR.D.AJP.	BRAKE FLUID RESERVOIR CAP	12		
07A	01	00H02100191	R-TAPA DEPOSITO LIQ.FR.DT.SD.R	BRAKE FLUID RESERVOIR CAP	1234 6789ABCDEF	H032680	
08A		00D02120861	JUNTA TAP.DPT.L.F.AJP.4-217-BP	GASKET	12		
08A	01	00H02100861	R-JUNTA TAP.DPT.LIQ.FR.DT.SD.R	BRAKE FLUID RESERVOIR CAP SEA	1234 6789ABCDEF	H032680	
09A		00014041200	TOR.C/AV.CRUZ,NG.4M80X12.D-965	COUNTERSUNK PHILIPS SCREW (BL	1234 6789ABCDEF		
10A		00D02120811	R-KIT BOMBA F.D.AJP-15600012.	CYLINDER ASSY. MASTER, FRONT	1234 67 B DE		
10B		00H02101811	R-CTO.KIT REPARAC.BOMBA SDA.R	MASTER CYLINDER REPAIR KIT	89A C FG		
11A		00H00906751	SCTO.TUBO LIQ.FR.DT.SENDA-R	BRAKE FLUIT TUBE	123		
11B		00H00907751	SCTO.TUBO LIQ.FR.DT.SDA-R L.E.	BRAKE FLUIT TUBE	4 67 B DE		
11C		00H00908751	R-LATIGUILLO FRENO DTRO.SENDA.	BRAKE FLUIT TUBE	89A C FG		
12A		00006321040	ARAND.JUNTA RACORD.	CONNECTOR GASKET WASHER	1234 67 B DE		
13A		00H01003141	CTO.PUÑO LUZ SENDA-R	LIGHT SWINTCH ASSY	123		
13B		00H01000141	CTO.PUÑO LUZ.SENDA.	LIGHT SWINTCH ASSY.	4 6789ABCDEF		
14A		00H02302381	R-CTO.CONMUT.LUCES.C/CABL.SD-R	SWITCH	123		
14B		00H02301381	R-CTO.CONMUT.LUCES.C/CABL.SEND	SWITCH	4 6789ABCDEF		
15A		00F00930071	R-EMPUÑ.FR.TR.1373021551 W.CH.	GRIP, THROTTLE	1234 67 B DE		
16A		00D00940291	R-MAN.EMBR.FDS/89.37302976	CLUTH LEVER	1234 67 B DE		
17A		00H00902301	SCTO.CABLE-FUNDA EMBRG.SDA-R.	CLUTCH COVER AND CAB.SUB.ASSY	1234 6789ABCDEF		
18A		00H02101011	PROTECTOR MANETA EMBRAGUE SD-R	CLUTCH LEVER PROTECTOR	1234 6789ABCDEF		
19A		00D00900351	R-CTO.TENS.CABL.EMB.046902551	CLUTCH CABLE TIGHTENING DEVIC	1234 67 B DE		
20A		00H02200591	SCTO.SOPTE.FIJ.TUBO FRENO DT.	FRONT BRAKE TUBE SECURING BRA	1234 67 B DE		
21A		00H00900531	BRIDA GUIA CABL.2244-0.GPR-75.	CABLE TIE	1234 67		
21B		00A00900531	BRIDA UNECABLES NEGRA.	BLACK CABLE TIE	1234 6789ABCDEF		
22A		00011141300	TOR.AUT.C/CR.NG.4,8X13.D-7981B	SCREW, SELF TAPPING 4.8MM13	1234 67 B DE		
23A		00H00900521	BRIDA GUIA CABLE EMBRAG.SEND.R	CLAMP	1234 6789ABCDEF		
24A		00D01000701	INTERRUP.MANDO STOP.	SWITCH, STOP LIGHT	4 6789ABCDEF		
25A		00005010760	CAPUCH.INTERRUP.STOP.NG.	RUBBER COVER,STOP LIGHT SWITC	4 6789ABCDEF		
26A		00006309260	RACORD TUBO HIDRAULICO	HYDRAULIC TUBE CONNECTOR	89A C FG		
27A		00D02100611	CTO.PORTAM.-MANETA IZQ.	SUPPORT AND LEVER	1234 6789ABCDEF		
28A		00000012508	TOR.C/RED.CRUZ,5M80X8,DIN-7985	SCREW	4 6789ABCDEF		

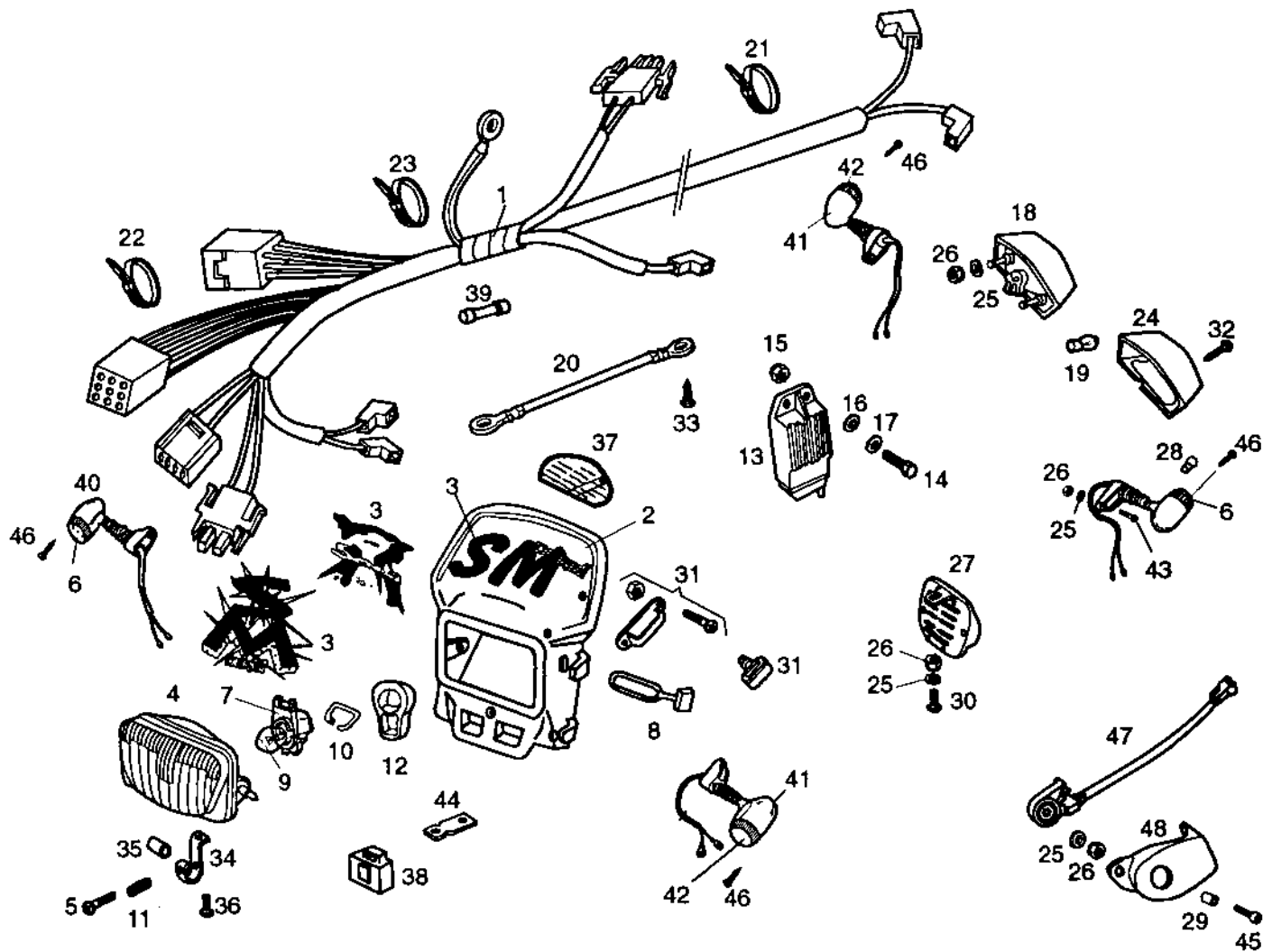
Figr.	Vers.	CODIGO CODE	DENOMINACION	NAME	MODELOS MODELS	Nº Chasis Frame Num.	Lám. Diagra. 7
29A		00D02100901	R-BRIDA FIJ.MANDO FRENO.FD.	CLAMP	1234 6789ABCDEF		
30A		00000004620	TOR.C/ALLEN.6M100X20.D-912/8.8	ALLEN SCREW M6X20	1234 6789ABCDEF		



INSTALACION ELECTRICA
LIGHTING EQUIPMENT

MODELOS/MODELS:
SENDA R
SENDA S.M.

Lám.
Diag.
8



B = ROD
D = GRÖN.

Figr.	Vers.	CODIGO CODE	DENOMINACION	NAME	MODELOS MODELS	Nº Chasis Frame Num.	Lám. Diagra. 8
01A		00H01004301	CTO. INSTAL. ELECTR. SENDA-R	ELECTRICAL INSTALATIONS ASSY	123		
01B		00H01013301	CTO. INSTAL. ELECTR. SD-R/97 EXP.	LOOM.	4	6789ABCDEFG	
02A		00H02203371	R-SCTO. CARCASA FARO C/C.SDA-R	NACELLE, HANDLEBAR	1		
02B		00H02203372	R-SCTO. CARC. FARO C/C.SD-R BLCA	NACELLE, HANDLEBAR	2		
02C		00H02203373	R-SCTO. CARC. FARO C/C.SD-R V.TU	NACELLE, HANDLEBAR	3		
02D		00H02205371	R-SCTO. CARC. FARO C/C.SD-R L.E.	HEADLIGHT CUSING SUBASSY.	4		
02E		00H02205372	R-SCTO. CARC. FARO SD-R'97 V. PRD	HEADLIGHT CUSING SUB-ASSEMBLY	6		
02F		00H02205373	R-SCTO. CARC. FARO SD-R'97 R-K	HEADLIGHT CUSING SUB-ASSEMBLY	7		
02G		00H02206371	R-SCTO. CARC. FARO C/C.SD.S.M.RJ	HEADLIGHT CUSING SUB-ASSEMBLY	8		
02H		00H02206372	R-SCTO. CARC. FARO C/C.SD.S.M.AM	HEADLIGHT CUSING SUB-ASSEMBLY	9		
02I		00H02206373	R-SCTO. CARC. FARO C/C.SD.S.M.VD	HEADLIGHT CUSING SUB-ASSEMBLY	A		
02J		00H02209371	R-SCTO. CARC. FARO C/C SD-R/98	HEADLIGHT CUSING SUB-ASSEMBLY	B		
02K		00H02209372	R-SCTO. CARC. FARO C/C SD-R/98	HEADLIGHT CUSING SUB-ASSEMBLY	D		
02L		00H02209373	R-SCTO. CARC. FARO C/C SD-R/98	HEADLIGHT CUSING SUB-ASSEMBLY	E		
02M		00H02230371	SCTO. CARC. FARO C/CALCAS.SM./98	HEADLIGHT CUSING SUB-ASSEMBLY	C		
02N		00H02240371	SCTO. CARC. FARO C/CALCAS.SM./98	HEADLIGHT CUSING SUB-ASSEMBLY	F		
02P		00H02250371	SCTO. CARC. FARO C/CALCAS.SM./98	HEADLIGHT CUSING SUB-ASSEMBLY	G		
03A		00H01503321	CALCA PLACA FRONTAL SENDA-R	FORNT PLATE DECAL	1		
03B		00H01503322	CALCA PLACA FRONT.SDA-R BLANCA	FRONT PLATE DECAL	2		
03C		00H01503323	CALCA PLACA FRONT.SDA-R V.TURM	FRONT PLATE DECAL	3		
03D		00H01504321	CALCA PLACA FR.SDA-R L.E. AMAR	FORNT PLATE DECAL	4		
03E		00H01504323	CALCA PLACA FR.SDA-R'97 VERDE	FORNT PLATE DECAL	6		
03F		00H01504322	CALCA PLACA FR.SDA-R'97 ROJO-K	FORNT PLATE DECAL	7		
03G		00H01505321	CALCA PLACA FR.SDA-S.M.	FORNT PLATE DECAL	8		
03H		00H01505322	CALCA PLACA FR.SDA-S.M.	FORNT PLATE DECAL	9		
03I		00H01505323	CALCA PLACA FR.SDA-S.M.	FORNT PLATE DECAL	A		
03J		00H01509321	CALCA CARCASA FARO S-R/98	FORNT PLATE DECAL	B DE		
03K		00H01510321	CALCA CARCASA FARO S.M/98	FORNT PLATE DECAL	C		
03L		00H01510322	CALCA CARCASA FARO S.M/98	FORNT PLATE DECAL	F		
03M		00H01510323	CALCA CARCASA FARO S.M/98	FORNT PLATE DECAL	G		
04A		00H02302081	R-CTO. FARO DT.S/LAMP. SENDA-R	HEADLIGHT LENS SUB-ASSEMBLY	1		
04A 01		00H01011011	CTO. FARO DTRO. SENDA R	HEADLIGHT LENS SUB-ASSEMBLY	1234 67	B DE	H030852
04B		00H01004011	CTO. FARO DT. SENDA-R ALEMAMIA	HEADLIGHT LENS SUB-ASSEMBLY	89A C FG		
05A		00H01001101	TOR.REGUL. FARO DT. SENDA-R	HEADLAMP ADJUSTER SCREW	1		
05A 01		00G01000101	R-TOR.REGUL. FARO. M4X30.	HEADLAMP ADJUSTER SCREW	1234 6789ABCDEFG		H030852
06A		00H01700101	R-CRISTAL INTTE. DT. DR. (CEV)	FRONT RIGHT INDICATOR LENS	4 67		
06B		00G01702902	CRISTAL INTTE. TR. IZ. (RINDER)	LENS, TURN SIGNAL REAR LH	4	6789ABCDEFG	H060229
07A		00003710110	R-PORTALAMPARAS.	BULB HOLDER	1234	6789ABCDEFG	
08A		00H04601841	R-BRIDA FIJ. CARCASA FARO SDA-R	CLAMP	1		
08B		00H01800361	BRIDA FIJ. BATERIA. GPR-75.	BATTERY FASTERING CLAMP	1234	6789ABCDEFG	H030852
09A		00E01020131	LAMP. FARO 12V.25/25W. SCO-USA	HEADLAMP BULB	1234 67	B DE	

Figr.	Vers.	CODIGO CODE	DENOMINACION	NAME	MODELOS MODELS	Nº Motor Engine Nr.	Lám. Diagra. 8
09B		00H01000131	LAMPARA FARO.12V.35/35W.	HEADLIGHT BULB	89A C FG		
10A		00003710120	R-MUELLE PORTLAMPARAS	BULB HOLDER SPRING	1234 6789ABCDEF		
11A		00H02301501	MUELLE REGUL.FARO SENDA-R	SPRING, HEADLIGHT SELTING	1		
11A	01	00H02302501	R-MUELLE REGUL.FARO SENDA-R	SPRING, HEADLIGHT SELTING	1234 6789ABCDEF	H030852	
12A		00D05700141	R-PROTECT.PORTALAM.FARO.FDS/SV	HEADLAMP BULB HOLDER PROTECTO	1234 6789ABCDEF		
13A		00H01001841	REGULAD.TENSION SENDA-R	REGULATOR	123		
13B		00H01002841	REGULAD.TENSION SENDA-R ALEM.	REGULATOR	4 6789ABCDEF		
14A		00000002515	TOR.C/EXAG. 5M80X16.DIN-933	HEX.HEAD SCREW 5M80X15	1234 6789ABCDEF		
15A		000000021050	TCA.EXAG. 5M80. DIN-	HEXAGON NUT 5M80	1234 6789ABCDEF		
16A		000000031050	ARAND.PLANA MEC.D.5.DIN125-B	MACHINED FLAT WASHER D5	1234 6789ABCDEF		
17A		000000034050	ARAND.ESTRELL.INT.D5-DIN6798-J	INNER WASHER DIN6797	1234 6789ABCDEF		
18A		00H01001321	CTO.FARO PILOTO.SENDA ALEM.	TAIL LIGHT ASSY	1234 6789ABCDEF		
19A		00E01020371	LAMP.PILOTO-STOP.12V.21/5W.USA	BULB, TAILLIGHT/STOP	1234 6789ABCDEF		
20A		00A01020971	CABLE MASA FARO PILOTO.VARIANT	GROUND CABLE, TAIL LIGAT	1234 6789ABCDEF		
21A		00F00900531	BRIDA NEG.UNECABLES.SCO.BL.NAC	BLACK CABLE TIE	123 89A C FG		
22A		00A00900531	BRIDA UNECABLES NEGRA.	BLACK CABLE TIE	1234 6789ABCDEF		
23A		00D00900531	BRIDA UNECABLES NEGRA.ITWE0293	CABLE TIE	1234 6789ABCDEF		
24A		00D01070341	R-CRIST.PIL.FDS/90.AU.	LENS, TAILLIGHT	1234 6789AB DE		
25A		00D01200171	ARAND.EJE LEVA-FIJ.CUBRECAD.	WASHER	123 789A C FG		
26A		000000023060	TCA.AUTOBLOC. 6M100.DIN-985.8	SELF-LOCKING NUT M6	123 789A C FG		
27A		00H01001311	CTO.CLAXON.SENDA.	HORN ASSEMBLY	123		
27B		00F01001311	CTO.CLAXON.12V-DC/0450-A.SC/91	HORN ASSEMBLY	4 6789ABCDEF		
28A		0000A517011	LAMP.FARO INTERMITTES.12V.10W.	INDICATOR LIGHT BULB 12V 10W	4 6789ABCDEF		
29A		00H06300281	CASQ.FIJ.PROT.INTERR.ROTAT.	ROTATION SWITCH PROTECTOR SEC	89A C FG		
30A		00012161600	TOR.C/CRUZ.NG.6M100X16.D-7985	PHILIPS SCREW	1234 6789ABCDEF		
31A		00H02202591	R-CTO.GUIA TUBO LIQUIDO FR.DT.	GUIDE FRONT LIQUID TUBE	123		
31B		00F02201591	GUIA CABLES.V.SPORT-R.	GUIDE, CABLES	1234 67 B DE		
32A		00011033800	TOR.AUTR.C/CRUZ.3,5X38.D-7981B	SELF-THREADING HEAD.SC.3,5X38	1234 6789ABCDEF		
33A		00011061300	TOR.AUTR.C/CRUZ.6,3X13,D-7981B	SCREW	1234 6789ABCDEF		
34A		00H02300511	OREJA REGUL.FARO DTRO.SDA-R.	CONTROL LUG INSIDE HEADLIGHT	1		
34B		00H02301511	OREJA REGUL.FARO DT.SENDA-R	FIX. LENS	1234 6789ABCDEF	H030852	
35A		00H05700531	R-CHAVETA FIJ.MUELLE REG.FARO	FASTENING PIN HEADLIGHT CONTR	1234 6789ABCDEF		
36A		00H05700541	R-TOR.FIJ.OREJA REGUL.FARO	SCREW TO FROTEN HEADLIGHT CON	1		
36A	01	00012041200	TOR.C/RED.CRUZ.4M70X12 D.7985	ROUNDHEAD PHILIPS SCREW MT.4M	1234 6789ABCDEF	H030852	
37A		00H06800111	CALCA ORDENADOR DE ABORDO SD.R	DECAL	4 67		
37A	01				4 67		
38A		00G01700401	CTO.CENTRAL INTTES.	INDICATOR UNIT	4 6789ABCDEF		
39A		00F01010911	FUSIBLE 4 AH.SCO-50.ITAL./89.	FUSE, 4 A	1234 6789ABCDEF		
40A		00H01704021	CTO.FARO INTTE.DT.DR.(CEV) S-R	RT.FRONT INDICATOR ASSEMBLY	4 67		
40B		00F01703391	CTO.FARO INTTE.TR.IZ.(RINDER)	REAR RIGHT INDICATOR LIGHT AS	4 6789ABCDEF	H060229	
41A		00H01702311	CTO.FARO INTTE.DT.IZ.(CEV)	FRONT LEFT INDICATOR LIGHT AS	4 67		

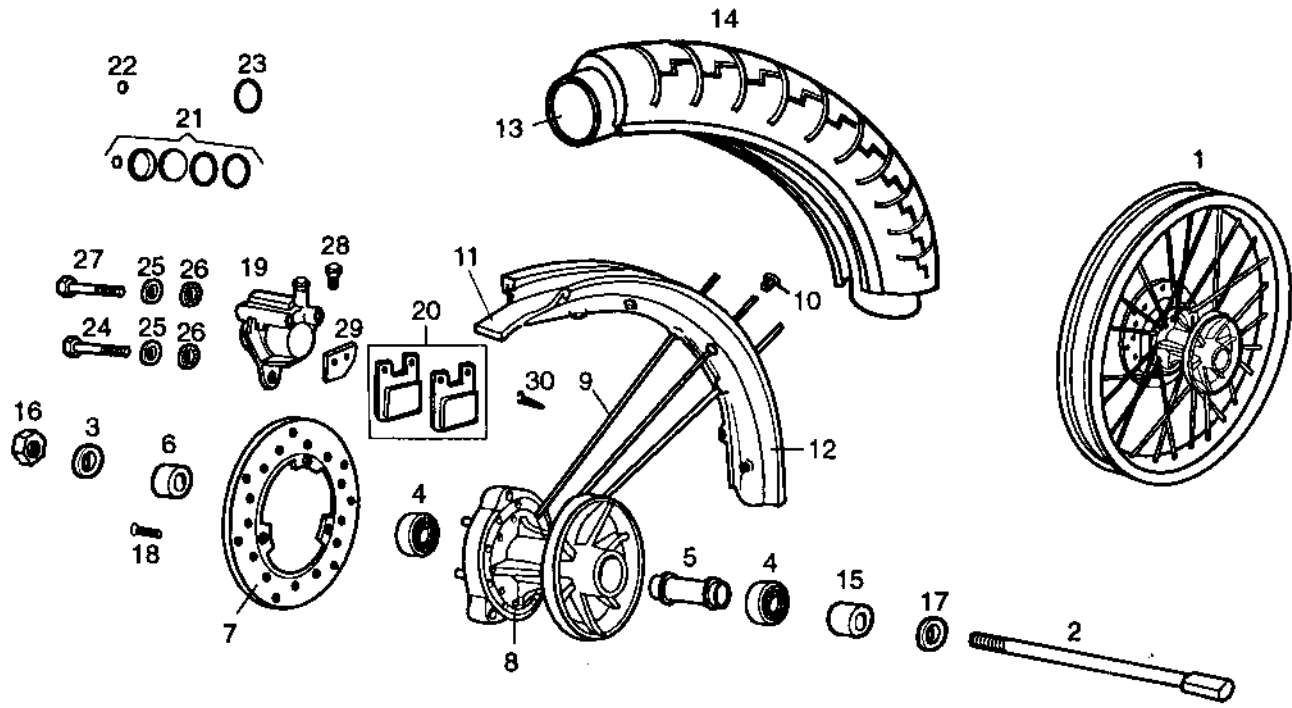
Figr.	Vers.	CODIGO CODE	DENOMINACION	NAME	MODELOS MODELS	Nº Motor Engine Nr.	Lam. Diagra. 8
41B		00F01703301	CTO.FARO INTTE.TR.DR.(RINDER)	REAR RIGHT INDICATOR LIGHT AS	4 6789ABCDEFG	H060229	
42A		00H01702071	R-CRISTAL F.INTTE.DT.IZ.(CEV)	FRONT LEFT INDICATOR LENS	4 67		
42B		00G01702892	R-CRISTAL INTTE.TR.DR.(RINDER)	LENS, TURN SIGNAL REAR LH	4 6789ABCDEFG	H060229	
43A		00012161600	TOR.C/CRUZ.NG.6M100X16.D-7985	PHILIPS SCREW	4 6789ABCDEFG	H060229	
44A		20D02300361	SOPTE.REGUL.TRAS.FDS/88.P/TAL.	SUPPORT	4 6789ABCDEFG		
45A		00000004612	TOR.C/ALLEN 6M100X12.DIN-	SCREW M6X12	89A C FG		
46A		00G01701091	TOR.FIJ.CRISTAL INTTE.TR.PADD.	INDICATOR LENS SECURING SCREW	4 6789ABCDEFG	H060229	
47A		00G05700601	CTO.INTERRUP.PATA CABALLETE	SIDE STAND SWITCH ASSY	89A C FG		
48A		00H06800301	TAPA INTERRUP.PATA CABALLETE	COVER	89A C FG		



**RUEDA DELANTERA
FRONT WHEEL**

**MODELOS/MODELS:
SENDA R
SENDA S.M.**

**Lám.
Diag.
9**



Figr.	Vers.	CODIGO CODE	DENOMINACION	NAME	MODELOS MODELS	Nº Chasis Frame Num.	Lám. Diagra. 9
01A		00H04704081	R-CTO.RUEDA.DT.C/DIS.MATE	FRONT WHEEL ASSEMBLY	1234 67		
01B		00H04704082	R-CTO.RUEDA DT.C/DIS.SDA.R/BR	FRONT WHEEL ASSEMBLY/BR	1234 67		
01C		00H04707081	R-CTO.RUEDA.DT.C/DIS.SD.S.M.FR	FRONT WHEEL ASSEMBLY	89A C FG		
01D		00H04706081	R-CTO.RUEDA DT.SD'R97 FR/MATE	FRONT WHEEL ASSEMBLY	B DE		
02A		00H01201271	EJE RUEDA DTRA.SENDA.	AXLE FRONT WHEEL	1234 6789ABCDEF		
03A		00003112320	ARAND.EJE RUEDA.12'25X20X2.	FRONT WHEEL AXLE WASHER	1234 6789ABCDEF		
04A		00058120100	COJINETE 6201.C3.2RS.12.32.10	BEARING 6201 12X32X10	1234 6789ABCDEF		
05A		00008213090	SCTO.SEPARAD.COJINETES TRAS.	SPACER, REAR HUB BEARING	1234 6789ABCDEF		
06A		00D01320191	CASQ.LADO TAPA.FT/RD-2.	BUSHING	1234 6789ABCDEF		
07A		00D01260021	DISCO FRENO DTRO.FDS/91.ALEM.	BRAKE DISC, FDT	1234 67		
07B		00H01205021	DISCO FRENO DT.SDA-97	BRAKE DISC, FDT	89ABCDEF		
08A		00D01260012	CARRETE DT.GRIS ZIRC.SENDA-R	COIL FRONT	1234 6789ABCDEF		
09A		00H01203061	RADIO RUEDA DT.SENDA-R	WHEEL ARM.	1234 67 B DE		
09B		00H01205061	RADIO RUEDA DT.DR.SDA.S.M.	WHEEL ARM.	89A C FG		
10A		00002212070	TCA.RADIO.	SPOKE NUT	1234 6789ABCDEF		
11A		00D01201091	PROTECT.CAMARA RDA.DTRA.21".SV	RIM STRIP	1234 67 B DE		
11B		00D01301401	PROTECT.CAMARA RDA.TRAS.18".SV	RIM STRIP	89A C FG		
12A		00H01204081	LLANTA RUEDA DTRA.S-R/MATE	FRONT WHEEL RIM	1234 67 B DE		
12B		00H01204082	LLANTA RUEDA DT.SDA-R EXP.BR.	FRONT WHEEL RIM	1234 67		
12C		00H01207081	LLANTA RDA.DT.17X2,50 SUP-MOT.	FRONT WHEEL RIM	89A C FG		
13A		00H01203101	CAMARA RDA.DT.21A SENDA-R	FRONT WHEEL CHAMBER	1234 67 B DE		
13B		00H01303361	CAMARA RDA.TRASERA FENIX EXP.	TUBE	89A C FG		
14A		00H01203111	CUBTA.DT.SENDA-R	FRONT CASING	1234 67 B DE		
14B		00H01205111	CUBTA.DT.100/80-17 A39 SUP-MO	FRONT CASING	89A C FG		
15A		00008213180	CASQ.LADO PLATO.	SIDEFLAGE SLEEVE	1234 6789ABCDEF		
16A		00021012001	TCA.EXAG.12M150.DIN-934/10.	HEX NUT, 12 MM X 1.50	1234 6789ABCDEF		
17A		00D01210311	ARAND.PROTECT.PNA.HORQ.	LEG PROTECTION WASHER	1234 6789ABCDEF		
18A		00013182500	TOR.C/AV.ALL.8M125X25.D7991BCR	SCREW	1234 6789ABCDEF		
19A		00D01210191	CTO.PINZA FRE.DT.FDS/90.118015	REAR CLIP ASSY	12		
19A	01	00F01200191	CTO.PINZA FRE.DTRO.V.SPORT/92.	LEFT-HAND FRONT CLIP ASSY	1234 67	H032680	
19B		00H01202191	R-CTO.PINZA FR.DT.SD.R'97 FR.	LEFT-HAND FRONT CLIP ASSY	89ABCDEF		
20A		00D01210221	PASTILLA FRE.DT.SBS-S-40-GF	FRONT BRAKE PAD	1234 6789A		
20B		00G04700141	R-JUEG.PAST.FR.DT.BS-S-40-GF	FRONT BRAKE PAD	1234 6789ABCDEF		
21A		00D01210831	R-KIT PINZA FR.D.BREMBO.718002	CALIPER ASSY.	12		
21A	01	00D01200831	R-KIT PINZA FR.D.AJP.15600032.	FRONT BRAKE CYLINDER KIT	1234 67	H032680	
22A		00D01200991	JUNTA PINZA FRENO DTRO.	GASKET	1234 67		
23A		00D01200811	JUNTA TORICA PINZA FRENO.DTRO.	GASKET	1234 67		
24A		00000002830	TOR.C/EX.8M125X30 8.8/D933 BCR	HEX. HEAD SCREW 8M125X30 D933	1234 6789ABCDEF		
25A		00000031080	ARAND.PLANA MECANIZ.D.8.DIN125	MACHINED FLAT WASHER D8 DIN-1	1234 6789ABCDEF		
26A		00034000802	ARAND.ESTRELL.INT.D8.DIN6798-J	INNER STAR WASHER D.8	1234 6789ABCDEF		
27A		00000002855	TOR.C/EX.8M125X55.BCR12.9/D931	HEX.HEAD SCREW 8M125X55 D931	1234 6789ABCDEF		

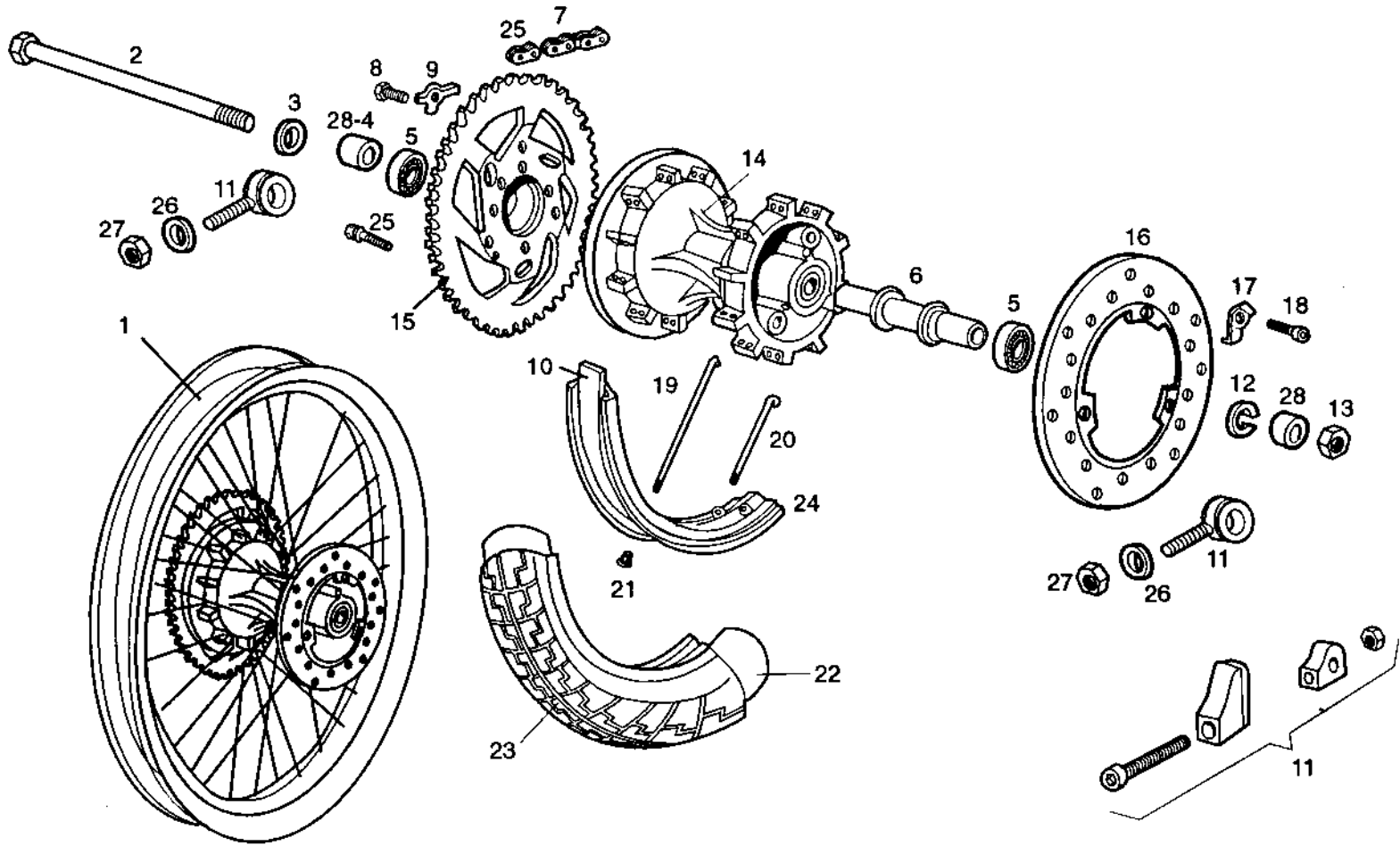
Figr.	Vers.	CODIGO CODE	DENOMINACION	NAME	MODELOS MODELS	Nº Chasis Frame Num.	Lám. Diagra. 9
28A		00H04700121	R-CTO.PURGADOR PINZA FR.DTRO.	DRAIN PLIER FRONT BRAKE ASSEM	1234 6789ABCDEFG		
28A	01	00D04700121	R-CTO.PURGADOR PINZA FR.DT.FDS	FRONT BRAKE BLEED CLIP ASSY	4 67		
29A		00G04700131	R-PLACA INTERM.PASTILLA FRENO	INTERMEDIATE PLATE, BRAKE PAD	4 6789ABCDEFG		
30A		00H01301831	MUELLE FIJ.PASTILLA FRENO TR.	REAR BRAKE PAD SECUR SPRING	1234 6789ABCDEFG		



**RUEDA TRASERA
REAR WHEEL**

MODELOS/MODELS:
**SENDA R
SENDA S.M.**

Lám.
Diag.
10



Flgr.	Vers.	CODIGO CODE	DENOMINACION	NAME	MODELOS MODELS	Nº Chasis Frame Num.	Lám. Diagra. 10
01A		00H02403271	R-CTO.RDA.TR.C/PL.SDA-R(BRTE)	REAR WHEEL ASSEMBLY	1234 67		
01B		00H02403272	R-CTO.RDA.TR.C/PL.SDA-R(MATE)	REAR WHEEL ASSEMBLY	1234 67		
01C		00H02412271	R-CTO.RUED.TR.SD.S.M.FR.MATE	REAR WHEEL ASSEMBLY	89A C FG		
01D		00H02413272	R-CTO.RUED.TR.SD.R'97 FR.MATE	REAR WHEEL ASSEMBLY	B DE		
02A		00H01301201	CTO.EJE RUEDA TRAS.SENDA.	AXLE, REAR WHEEL	12		
02A	01	00002503410	SCTO.EJE BASCTE.C-4.	SWING ARM SUB-ASSEMBLY	1234 6789ABCDEF	H029458	
03A		00D01210311	ARAND.PROTECT.PNA.HORQ.	LEG PROTECTION WASHER	1234 6789ABCDEF		
04A		00H01301181	CASQ.EJE RUEDA LADO PLATO.SEND	SPACER	1		
04A	01	00H01303181	CASQ.LADO PLATO SENDA '95	SPACER	1234 67 B DE	H029458	
05A		00058120100	COJINETE 6201.C3.2RS.12.32.10	BEARING 6201 12X32X10	1234 6789ABCDEF		
06A		00D01320091	SCTO.SEP.COJTES.TRAS.FDS/89.	BEARING SPACER	1234 67 B DE		
06B		00H01302091	SCTO.SEPARAD.COJINT.SDA.S.M.	BEARING SPACER	89A C FG		
07A		00H01502201	CAD.SEC.130P.DR7,75.PM12,7.SEN	TRANSMISSION CHAIN	1234 6789ABCDEF		
08A		00002182000	TOR.C/EXAG.8M125X20.8.8.DIN-	HEXAGONAL HEAD SCREW 8M125X20	1234 6789ABCDEF		
09A		00H01302051	PREC.TOR.PLATO ARRAST.SENDA R	BRAKE DISC RETAINER	1234 6789ABCDEF		
10A		00D01301401	PROTECT.CAMARA RDA.TRAS.18".SV	RIM STRIP	1234 6789ABCDEF		
10B		00D01303401	PROTECT.CAM.RDA.TR.17".SEN.S.M	RIM STRIP	89A C FG		
11A		00H01300811	CTO.TENSOR RUEDA TRASERA	ADJUSTER, REAR WHEEL ASSY	1		
11A	01	00H01302171	SCTO.TENSOR RUEDA SD-R ALEM.	ADJUSTER, REAR WHEEL	1234 6789ABCDEF	H029458	
12A		00000033120	ARAND.MUELLE. D.12.DIN-127-B.	SPRING WASHER D12 D127	12		
12A	01				12		
13A		00021012001	TCA.EXAG.12M150.DIN-934/10.	HEX NUT, 12 MM X 1.50	1234 6789ABCDEF		
13A	01	00000023120	TCA.AUTOBLOC. 12M150. DIN-985.	SELF-LOCKING NUT 12M150	1234 6789ABCDEF	H029458	
14A		00H01301822	CTO.CARRETE TRAS.SENDA-R	REAR HUB ASSEMBLY	1234 67 B DE		
14B		00H01304081	CARRETE TR.SENDA S.M.	REAR COIL	89A C FG		
15A		00H01304021	SCTO.PLATO ARRAST.Z-53 SDA'94	REAR SPROCKET SUB-ASSY.	12		
15A	01	00H01305031	PLATO ARRAST.Z-53 SDA AUSTR.	REAR SPROKET	1234 6789ABCDEF	H029458	62kgg 00H01308031
16A		00F01201021	DISCO FRENO DTRO.V.SPORT-R.FR.	BRAKE DISC, FRONT	12		
16A	01	00H01301531	DISCO FRENO TR.SENDA 95 AL.	REAR BRAKE DISC	1234 67	H029458	
16B		00H01302531	DISCO FRENO TR.FENIX'97	REAR BRAKE DISC	89ABCDEF		
17A		00F04700111	PREC.FIJ.DISCO FRENO DELANTERO	FIXIN SEAL DISC FRONT BRAKE	1234 67		
18A		00000002830	TOR.C/EX.8M125X30 8.8/D933 BCR	HEX. HEAD SCREW 8M125X30 D933	1234 6789A		
18A	01	00H02401281	TOR.FIJ.DISCO FR.TR.FEN.95 AL.	REAR BRAKE DISC SECURING SCRE	1234 6789ABCDEF	H029458	
19A		00H01301501	RADIO TRAS.LADO PLATO SD.AL.	REAR SHORT OUTER SPOKE	1234 67 B DE		
19B		00H01301731	RADIO INT.TR.LADO PLATO.	REAR INNER SPOKE	89A C FG		
20A		00H01301691	RADIO RUEDA TR.LADO DISCO	REAR SHORT OUTER SPOKE	1234 67 B DE		
20B		00H01303691	RADIO RUEDA TR.LADO DISCO	REAR SHORT OUTER SPOKE	89A C FG		
21A		00002212070	TCA.RADIO.	SPOKE NUT	1234 6789ABCDEF		
22A		00H01304361	CAMARA RDA.TR.SENDA-R	REAR WHEEL CAMBER	1234 67 B DE		
22B		00H01305361	CAMARA RDA.TR.17CG SUPERMOTARD	REAR WHEEL CAMBER	89A C FG		
23A		00H01304321	CUBIERTA TR.SENDA-R	REAR CASING	1234 67 B DE		

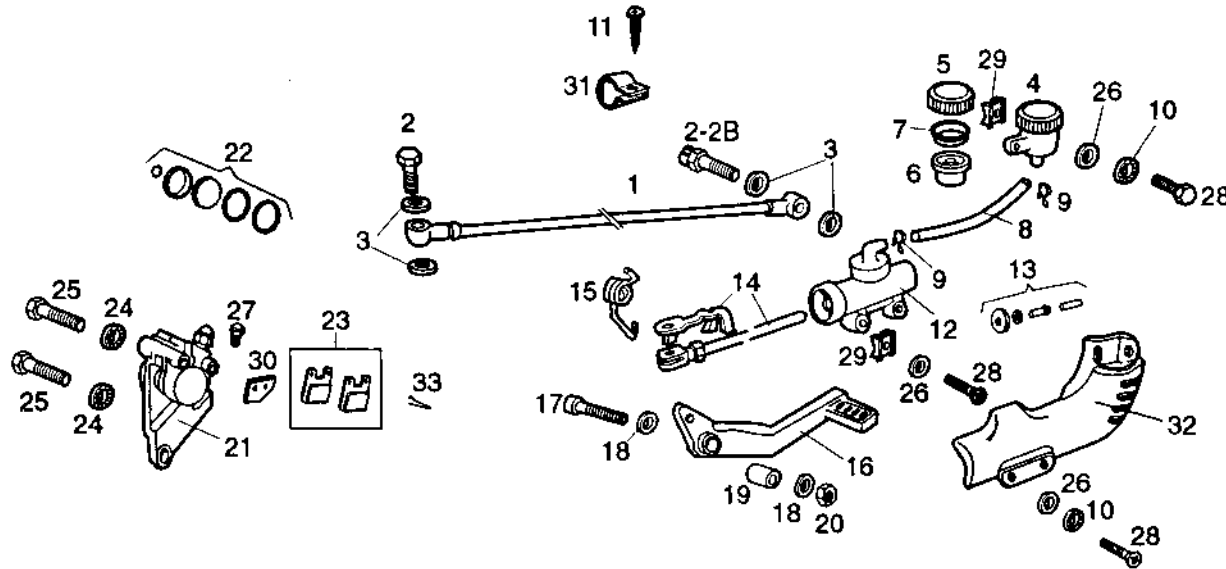
Figr.	Vers.	CODIGO CODE	DENOMINACION	NAME	MODELOS MODELS	Nº Chasis Frame Num.	Lám. Diagra. 10
23B		00H01306321	CUBTA.TR.130/70-17. M39 SUP-MO	REAR CASING	89A C FG		
24A		00H01302351	LLANTA TR.2,15X18"SENDA»(MATE)	MAGWHEEL REAR	1234 67 B DE		
24B		00H01302352	LLANTA TR.2,15X18" (BR.)	MAGWHEEL REAR	1234 67		
24C		00H01306351	LLANTA RDA.TR.17X3,50 SUP-MOT.	MAGWHEEL REAR	89A C FG		
25A		00H01501212	R-ENGANCHE DORAD.CADENA SEC.	MASTER LINK	1234 6789ABCDEFG		
26A		00000031060	ARAND.PLANA MECANIZ.D.6.DIN125	MACHINED FLAT WASHER D6 DIN-1	1234 6789ABCDEFG		
27A		00000023060	TCA.AUTOBLOC. 6M100.DIN-985.8	SELF-LOCKING NUT M6	123 789AB DEFG		
28A		00H01301291	CASQ.RUEDA TR.LADO DISCO SEN.R	SPACER, REAR WHEEL DISC SIDE	1234 67 B DE		
28B		00H01302291	CASQ.RDA TR.SENDA S.M.	SPACER	89A C FG		



FRENO TRASERO
REAR BRAKE

MODELOS/MODELS:
SENDA R
SENDA S.M.

Lám.
Diag.
11



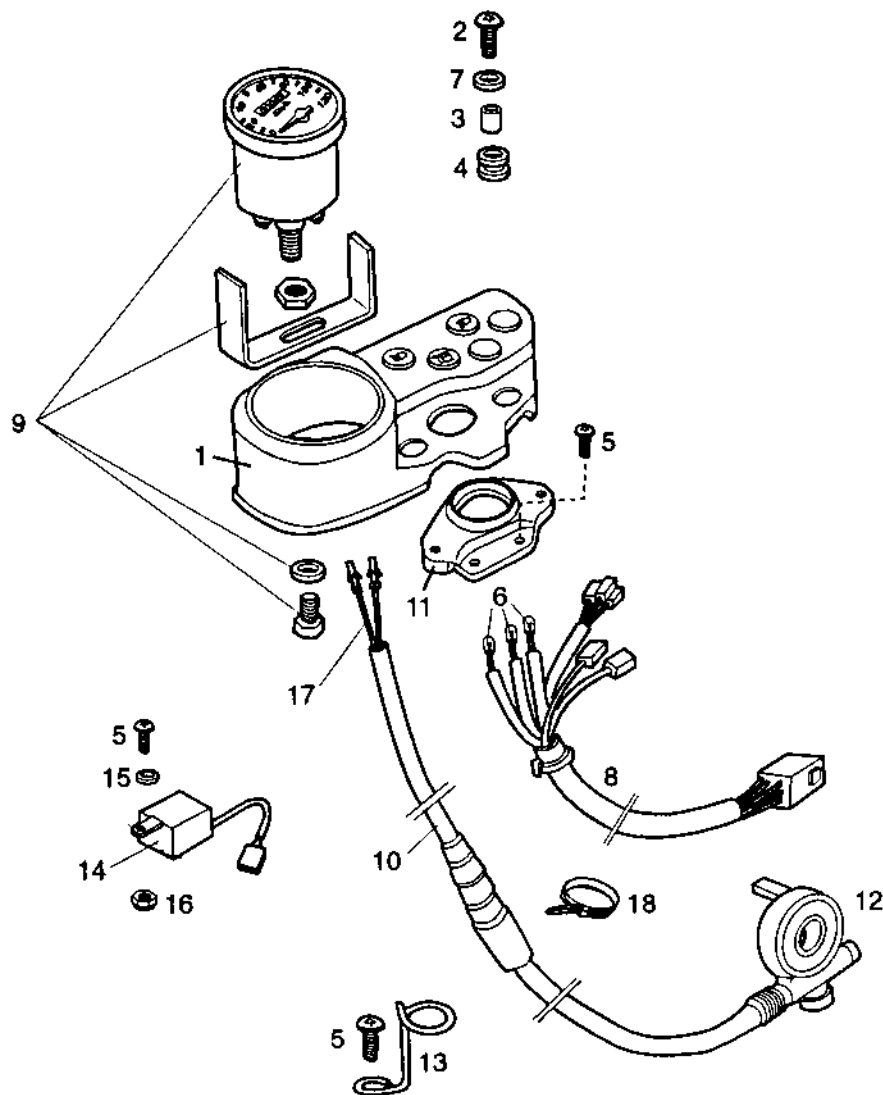
Figr.	Vers.	CODIGO CODE	DENOMINACION	NAME	MODELOS MODELS	Nº Chasis Frame Num.	Lám. Diagra. 11
01A		00D01130081	TUBO LIQ.FRENO TRAS.75000007.	BRAKE ROD	1234 6789ABCDEF		
02A		00006309260	RACORD TUBO HIDRAULICO.	HYDRAULIC TUBE CONNECTOR	1234 67		
02B		00006311220	CTO.INTERRUPT.STOP TRAS.485.	SWITCH,STOP LIGHT	4 6789ABCDEF		
03A		00006321040	ARAND.JUNTA RACORD.	CONNECTOR GASKET WASHER	1234 6789ABCDEF		
04A		00D01100201	CTO.DEPTO.LIQ.FRENO TRAS.FDS89	FLUID TUBE TANK	1234 6789ABCDEF		
05A		00D01100631	R-TAPON DPTO.LIQ.FRENO TRAS.	BRAKE FLUID RESERVOIR CAP	1234 6789ABCDEF		
06A		00D01100651	R-CASQ.DPTO.LIQ.FR.TR.19099093	BUSHING	1234 6789ABCDEF		
07A		00D01100641	R-JUNT.TAP.DPT.LIQ.FR.19099092	GASKET BRAKE FLUID RESERV.CAP	1234 6789ABCDEF		
08A		00D01100211	TUBO DEPTO.A BOMBA FR.TRAS.AJP	REAR FLUID TUBE	1234 6789ABCDEF		
09A		00H03700131	ABRAZ.ELAST.8'8-9'3.	ELASTIC CLAMP	1234 6789ABCDEF		
10A		00034000602	ARAND.ESTRELL.INT.D6.DIN6798-J	INNER STAR WASHER 0 6	1234 6789ABCDEF		
11A		00011141300	TOR.AUT.C/CR.NG.4,8X13.D-7981B	SCREW, SELF TAPPING 4.8MM13	1234 6789ABCDEF		
12A		00D01100181	R-CTO.BOMBA FR.TR.FDS/89.GPR	REAR BRAKE CONTROL ASSY.	1234 6789ABCDEF		
13A		00D01100461	R-CTO.KIT BOMBA FR.TR.D.11	REAR KIT CYLINDER ASSY.D.11	123		
13B		00H01100461	R-CTO.KIT BOMBA FR.TR.D.12	REAR KIT CYLINDER ASSY.D.12	4 6789ABCDEF		
14A		00H01101611	CTO.VARILLA BOMBA FRENO.SENDA	REAR BRAKE ROD	1234 6789ABCDEF		
15A		00D01100071	MUELLE PEDAL FRENO TRAS.FDS/89	SPRING PEDAL BRAKE	1234 6789ABCDEF		
16A		00D01130011	SCTO.PEDAL FRENO.NEGRO.FDS/89.	BRAKE PEDAL SUB-ASSEMBLY	1234 6789ABCDEF		
17A		00000004840	TOR.C/ALLEN.8M125X40.D-912/8.8	ALLEN SCREW 8M125X40 D.912/8.	1234 6789ABCDEF		
18A		00000031080	ARAND.PLANA MECANIZ.D.8.DIN125	MACHINED FLAT WASHER D8 DIN-1	1234 6789ABCDEF		
19A		00D01110171	CASQ.ARTIC.PEDAL FRENO.4-6V.	BUSHING	1234 6789ABCDEF		
20A		00023108000	TCA.AUTOBLOC. 8M125.DIN-985.8	SELF-LOCKING NUT M8	1234 6789ABCDEF		
21A		00H01101581	CTO.PINZA FRENO TRAS.SENDA.	REAR CLIP ASSEMBLY	1234 67		
21B		00H01102581	CTO.PINZA FR.TR.SENDA R97 FR.	REAR CLIP ASSEMBLY	89ABCDEF		
22A		00D01200831	R-KIT PINZA FR.D.AJP.15600032.	FRONT BRAKE CYLINDER KIT	1234 67		
23A		00D01210221	PASTILLA FRE.DT.SBS-S-40-GF	FRONT BRAKE PAD	1234 6789A C FG		
23B		00G04700141	R-JUEG.PAST.FR.DT.BS-S-40-GF	FRONT BRAKE PAD	1234 6789ABCDEF		
24A		00034000802	ARAND.ESTRELL.INT.D8.DIN6798-J	INNER STAR WASHER D.8	1234 6789ABCDEF		
25A		00000002840	TOR.C/EXAG. 8M125X40.8.8/D-931	HEX.HEAD SCREW 8M125X40 D931	1234 6789ABCDEF		
26A		00000031060	ARAND.PLANA MECANIZ.D.6.DIN125	MACHINED FLAT WASHER D6 DIN-1	1234 6789ABCDEF		
27A		00H04701121	R-CTO.PURGADOR PINZA FR.TR.SDA	FRONT BRAKE BLEED CLIP ASSY	1234 6789ABCDEF		
28A		00008062000	TOR.C/RED.ALLEN.6M100X20.	ALLEN ROUND HEAD SCR.6M100X20	1234 6789ABCDEF		
29A		00D01501371	TCA.FIJ.CUBRECAD.212827	NUT	1234 6789ABCDEF		
30A		00G04700131	R-PLACA INTERM.PASTILLA FRENO	INTERMEDIATE PLATE, BRAKE PAD	4 6789ABCDEF		
31A		00H01500811	BRIDA FIJ.CABLE FR.TR.SENDA'95	CLAMP	1234 6789ABCDEF		
32A		00H01100731	PROTECT.DPSTO.LIQ.FR.TR.FEN-95	REAR BRAKE, PROTECTOR	89A C FG		
33A		00H01301831	MUELLE FIJ.PASTILLA FRENO TR.	REAR BRAKE PAD SECUR SPRING	1234 6789ABCDEF		



**INSTRUMENTOS DE CONTROL
SPEEDOMETER AND COMPONENTS**

**MODELOS/MODELS:
SENDA R
SENDA S.M.**

**Lám.
Diag.
12**



Figr.	Vers.	CODIGO CODE	DENOMINACION	NAME	MODELOS MODELS	Nº Chasis Frame Num.	Lám. Diagra. 12
01A		00H01601231	R-CTO.SOPTE.TABLIER C/TESTIGOS	DASH ASSY	123		
01B		00H01602231	R-CTO.SOPTE.TABL.C/TEST.SD.R95	DASH ASSY	4 6789ABCDEF		
02A		00012151500	TOR.C/RED.CRUZ.5M8OX16.D7985NG	ROUND HD CROSSHD SCREW	1234 6789ABCDEF		
03A		00H01600911	CASQ.SILENTB.FIJ.TABLIER FENIX	BUSHING	1234 6789ABCDEF		
04A		00D01500021	PASACABL.INST.GUARD.TR.FDS/89.	GROMMET	1234 6789ABCDEF		
05A		00012061200	TOR.C/R.CR.6M100X12.NG.D-7985.	SCREW M6X12	1234 6789ABCDEF		
06A		00E01600741	LAMP.ILM.ESP.CTR.NIV.AC.12V1,2	BULB	1234 6789ABCDEF		
07A		00D02600631	ARAND.TOPE MUELLE EMBRG.4-6V.	CLUTCH SPRING STOP WASHER	1234 6789ABCDEF		
08A		00H04305651	CTO.INSTAL.TABLIER SENDA-R	DASH WIRING ASSY	12		
08A	01	00H04307651	CTO.INSTAL.TABLIER SDA-R/95	DASH WIRING ASSY	123		H037535
08B		00H04308651	CTO.INSTAL.TABL.SDA-R'97 L.E.	DASH INSTALATION ASSY	4 67		
08C		00H04306651	CTO.INSTAL.TABLIER SDA-R ALEM.	DASH INSTALATION ASSY	4 6789ABCDEF		
09A		00H04308031	CTO.ORDENADOR DE A BORDO SDA-R	DIGITAL DASHBOARD	12		
09A	01	00H01607011	R-CTO.CTA.KMS.SDA-R'95 IIVER.	SPEEDOMETER, KILOMETERS	123		H037535
09B		00H01606011	R-CTO.CTA.KMS.SDA-R'95 EXP.	DASH ASSY	4 6789ABCDEF		
10A		00H06700021	CTO.CABLE CT.KM.C/REENVIO SD-R	CABLE, SPEEDOMETER DRIVE	12		
10A	01	00H01601021	CTO.CABLE-FUNDA CTA.KM.SENDA.	CABLE, SPEEDOMETER DRIVE	123		H037535
10B		00H06701021	CTO.CABLE CT.KM.C/REENV.SD-R97	CABLE DUCT.KM.COUNTER	4 67		
10B	01	00H01601021	CTO.CABLE-FUNDA CTA.KM.SENDA.	CABLE, SPEEDOMETER DRIVE	4 67 B DE		
11A		00H01501831	PROTECT.CERRAD.CONTACT.SENDA R	LOCK PROTECTOR CONTACT	1234 6789ABCDEF		
12A		00H01605051	CTO.REENVIO SDA-R/95 ALEMAN.	DRIVE UNIT SPEEDOMETER	123		
12B		00H01603051	R-CTO.REENVIO.SENDA-R	DRIVE UNIT SPEEDOMETER	4 67		
12B	01	00H01605051	CTO.REENVIO SDA-R/95 ALEMAN.	DRIVE UNIT SPEEDOMETER	4 67 B DE		
12C		00H01607051	CTO.REENVIO SENDA S.M.	DRIVE UNIT SPEEDOMETER	89A C FG		
13A		00F01500381	MUELLE GUIA CABLE FR.TR.URBAN	SPRING	1234 6789ABCDEF		
14A		00H05700481	CTO.TEMPORIZADOR CHECK INDICAD	TIMER CHECK INDICATOR ASSEMBL	4 6789ABCDEF		
15A		00000031060	ARAND.PLANA MECANIZ.D.6.DIN125	MACHINED FLAT WASHER D6 DIN-1	1234 6789ABCDEF		
16A		00000023060	TCA.AUTOBLOC. 6M100.DIN-985.8	SELF-LOCKING NUT M6	123 789A C FG		
17A		00H01600031	R-CABLE CTA.KMS.SENDA.	CABLE,SPEEDOMETER	1234 6789ABCDEF		
18A		00A00900531	BRIDA UNECABLES NEGRA.	BLACK CABLE TIE	1234 6789ABCDEF		

Nyc
 Modd 98 ^{Frán} chnr H091791

Métare 00H01609011

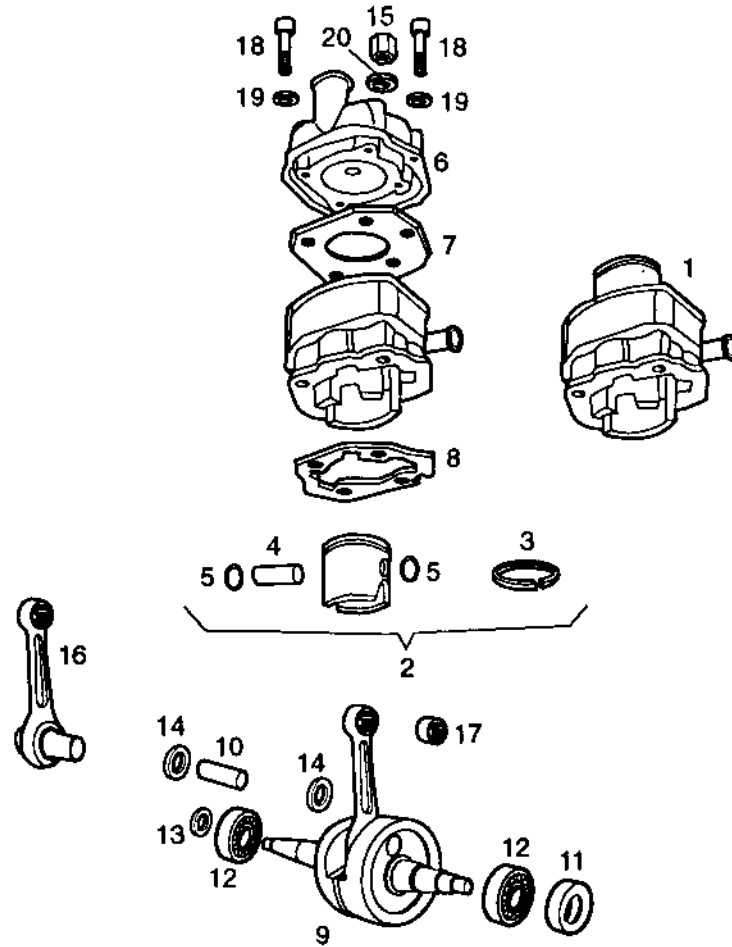
-11- Ram 00H01606231



CIGÜEÑAL BIELA - CILINDRO PISTON - CULATA
CRANKSHAFT ASSY - CYLINDER AND PISTON - CYLINDER HEAD

MODELOS/MODELS:
SENDA R
SENDA S.M.

Lám.
Diag.
13



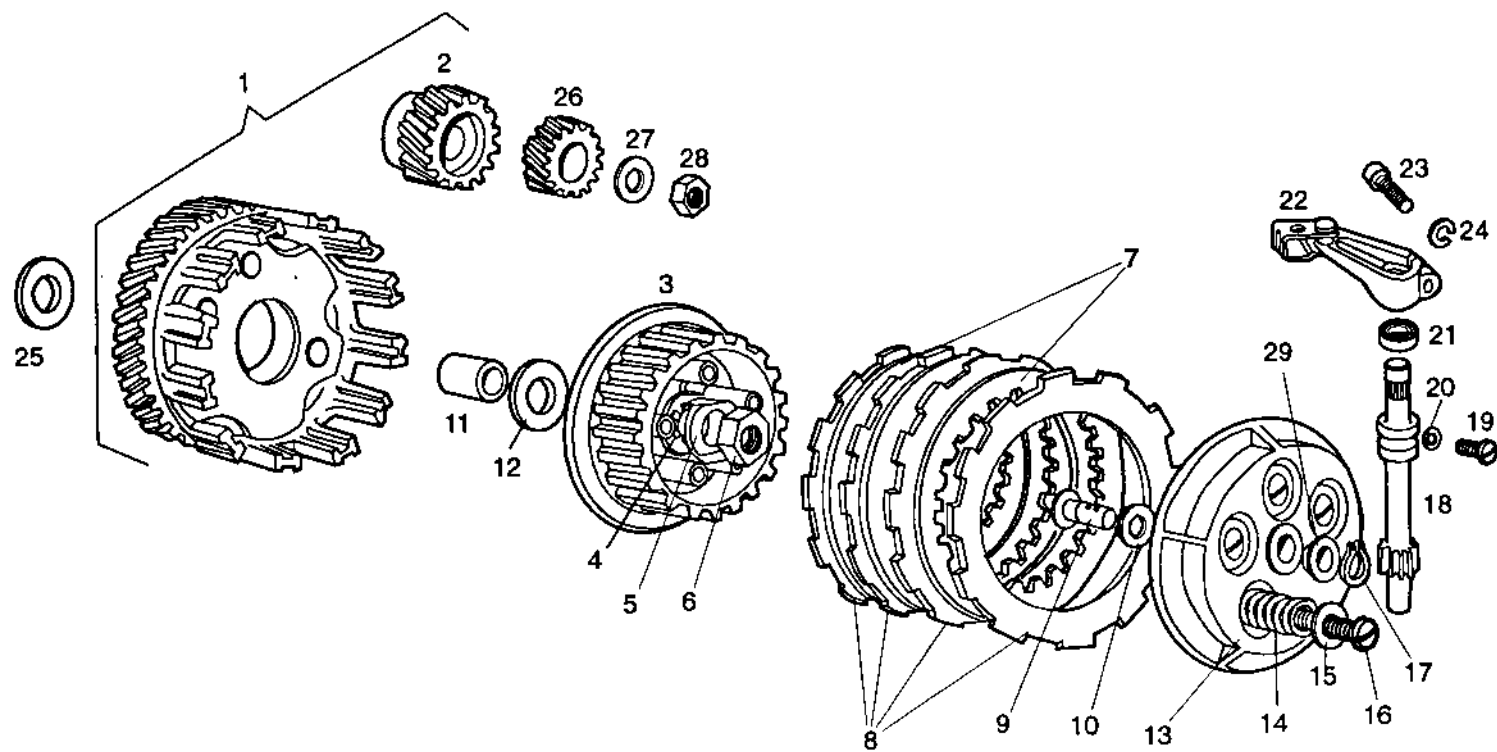
Figr.	Vers.	CODIGO CODE	DENOMINACION	NAME	MODELOS MODELS	Nº Motor Engine Nr.	Lám. Diagra. 13
01A		00H05007121	R-CTO.CILIND.-PISTON.SENDA-R	CYLINDER PISTON ASSEMBLY	1234 6789ABCDEF		
02A		00H02512091	CTO.PISTON SENDA-R(A)	PISTON(A)	1234 6789ABCDEF		
02B		00H02522091	CTO.PISTON.SENDA-R (B)	PISTON (B)	1234 6789ABCDEF		
02C		00H02532091	CTO.PISTON.SENDA-R (C)	PISTON (C)	1234 6789ABCDEF		
03A		00H02501111	R-ARO PISTON.SENDA-R	PISTON RING	1234 6789ABCDEF		
04A		00003125120	R-BULON PISTON.B12/8X30.	PISTON PIN	1234 6789ABCDEF		
05A		00003125130	R-ANILLO BULON.D73130PN101BA12	CIRCLIP, PISTON PIN	1234 6789ABCDEF		
06A		00H02505011	CULATA SENDA-R	CYLINDER HEAD	1234 6789ABCDEF		
07A		00H02500021	JUNTA CULATA.SENDA.AGUA.	GASKET CYLINDER HEAD	1		
07A	01	00H02501021	JUNTA CULATA.SENDA-R	GASKET CYLINDER HEAD	1234 6789ABCDEF		
08A		00H02500041	JUNTA CILINDRO.SENDA	GASKET, CYLINDER	1234 6789ABCDEF		
09A		00H02502141	CTO.CIGÑ.-BIELA.SENDA-R	CRANK SHAFT ROD.	1234 6789ABCDEF		
10A		00002025190	EJE CUELLO CIGÑAL.16.4-6V.	CRANKSHAFT PIN	1234 6789ABCDEF		
11A		00H02500301	RETEN CIGÑAL.DCH.20.35.7.GPR75	SEAL, CRANKSHAFT	1234 6789ABCDEF		
12A		00059020400	COJINETE 6204-C4.20.47.14.	BEARING	1234 67		
12A	01	00059220400	COJINETE 6204 PX2 V4	BEARING	1234 6789ABCDEF		
13A		00E02500231	RETEN CIGUENAL SCOO.74,20.35.7	SEAL, OUTPUT SHAFT	1234 6789ABCDEF		
14A		00002225220	ARAND.REG.CAB.BIELA.74CC.CROSS	THRUST WASHER	1234 6789ABCDEF		
15A		00008202730	TCA.FIJ.MANILL.-CULATA.VARIANT	HANDLEBAR LOCK NUT	1234 6789ABCDEF		
16A		00H05001011	R-CTO.BIELA.SENDA.	CONNECTING ROD W/BEARING AND	1234 6789ABCDEF		
17A		00002125170	JAULA PIE BIELA.KBK-12.15.15.	BEARING, PISTON PIN	1234 6789ABCDEF		
18A		00000004635	TOR.C/ALLEN.6M100X35.D-912/8.8	ALLEN SCREW 6M100X3	1234 6789ABCDEF		
19A		00000031060	ARAND.PLANA MECANIZ.D.6.DIN125	MACHINED FLAT WASHER D6 DIN-1	1234 6789ABCDEF		
20A		00003125280	ARAND.FIJ.CULATA.	SECURING WASHER, CYLINDER HEA	1234 6789ABCDEF		



**EMBRAGUE
CLUTCH**

**MODELOS/MODELS:
SENDA R
SENDA S.M.**

**Lám.
Diag.
14**



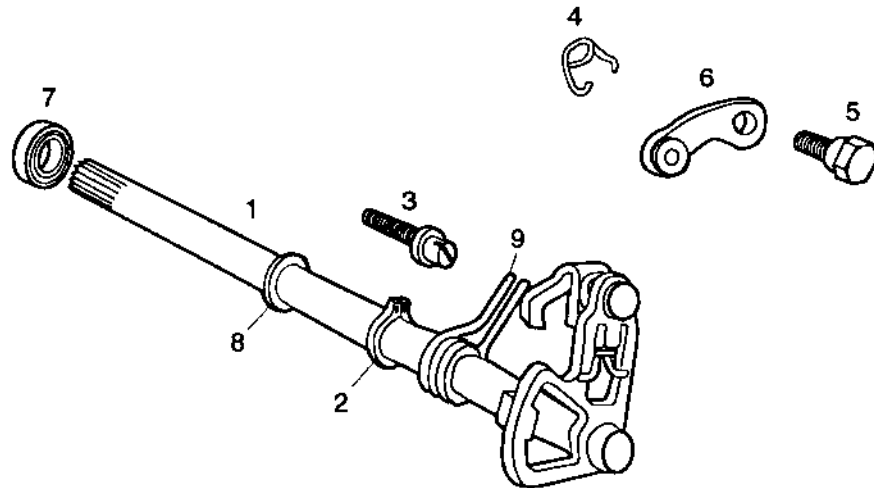
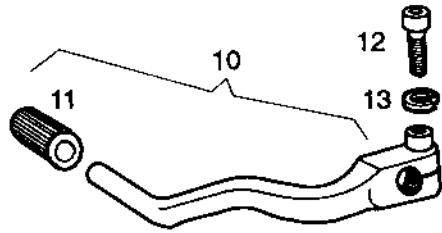
Flgr.	Vers.	CODIGO CODE	DENOMINACION	NAME	MODELOS MODELS	Nº Motor Engine Nr.	Lám. Diagra. 14
01A		00H03603521	R-CTO.RUEDA AMORT.EMBRAG.SD-R	CLUTCH HOUSING AND DAMPER	1234 6789ABCDEF		
02A		00H02601381	PIÑON MOTOR.Z-22.SENDA.	PRIMAY GEAR	1234 6789ABCDEF		
03A		00H02600111	CAMPANA CONDUCTIDA.4-6V.A.A.	CLUTCH HUB.	1234 6789ABCDEF		
04A		00H05000281	ARAND.TOPE PIÑON INTERMD.74/80	THRUST PLATE	1234 6789ABCDEF		
05A		00006826230	PRECTO.TCA.EMBRG.	WASHER, RETAINING	1234 6789ABCDEF		
06A		00003126260	TCA.EMBRAGUE.ANTORCHA.	CLUTCH NUT	123		
06B		00000326260	TCA.EMBRG.4V.ANT./COPPA.	CLUTCH NUT	1234 6789ABCDEF		
07A		00H02600151	DISCO CONDUCTIDO.74/80CC.	DRIVEN CLUTCH PLATE	1234 6789ABCDEF		
08A		00H02600161	SCTO.DISCO CONDUCTOR.74/80CC.	CLUTCH PLATE	12		
08A	01	00H02601161	SCTO.DISCO CONDUCTOR.50CC.	DRIVING PLATE <i>4st</i>	1234 6789ABCDEF	H028994	
09A		00H02600271	CREMALLERA EMPUJE EMBRG.74/80C	PUSHING CLUTCH	1234 6789ABCDEF		
10A		00H02600551	RODAMTO.AXIAL CREMALL.EMBRG.	BALL BEARING	1234 6789ABCDEF		
11A		00H02601011	CASQ.BUJE EMBRAGUE.SENDA.	BUSHING	1234 6789ABCDEF		
12A		00D02600552	ARAND.ROZAMTO.CAMPANA.	WASHER, SPLINED	1234 6789ABCDEF		
13A		00H02600181	TAPA CIERRE EMBRAG.6V.74-80CC.	OUTER CLUTCH PLATE	1234 6789ABCDEF		
14A		00H02600211	MUELLE REGULAC.EMBRAGUE.74/80C	CLUTCH SPRING	1234 6789ABCDEF		
15A		00D02600631	ARAND.TOPE MUELLE EMBRG.4-6V.	CLUTCH SPRING STOP WASHER	1234 6789ABCDEF		
16A		00012053500	TOR.C/RED.CRUZ.5M80X35.DIN7985	SCREW M5X35	1234 6789ABCDEF		
17A		00000047110	ANILLO SEG.EJES D10.DIN-471.	CIRCLIP, BRAKE SHOE RETENTION	1234 6789ABCDEF		
18A		00H02610311	EJE DESEMBRAGUE.74CC.	CLUTCH SHAFT	1234 6789ABCDEF		
19A		00H02600341	TOR.FIJ.EJE DESEMB.74/80CC.	SHAFT FIXING BOLT	1234 6789ABCDEF		
20A		00H03800441	ARAND.TOR.VACIADO AGUA 74/80CC	WASHER	1234 6789ABCDEF		
21A		00002027280	RET.EJE MANDO SELEC.12.20.5.SD	OIL SEAL, SELECTOR SHAFT	1234 6789ABCDEF		
22A		00H02600321	SCTO.PALANCA DESEMBRG.GPR-75.	CLUTCH LEVER	1234 6789ABCDEF		
23A		00004062200	TOR.C/ALL.6M100X22.D912/8.8 BR	HEX.SOCKET-HEAD SCREW6M100X22	1234 6789ABCDEF		
24A		00000033060	ARAND.MUELLE. D.6.DIN-127-B.	SPRING WASHER D6	1234 6789ABCDEF		
25A		00002026020	ARAND.PROTEC.INT.BUJE EMBRAG.	WASHER, CLUTCH HUB	1234 6789ABCDEF		
26A		00H02600081	CASQ.SEPAR.TCA.PIÑON MOT.50-4V	BUSHING	1		
26A	01	00H03800181	PIÑON MANDO BOMBAS.Z-14.74/80C	PUMP GUIDE GEAR	1234 6789ABCDEF	H027910	
27A		00H02600651	ARAND.FIJ.PIÑON MOTOR 74/80CC	WASHER	1234 6789ABCDEF		
28A		00H02600401	TCA.FIJ.PIÑON MOTOR.74CC.A.A.	NUT CRANKSHAFT	1234 6789ABCDEF		
29A		00H05000281	ARAND.TOPE PIÑON INTERMEDIARIO	THRUST PLATE	1234 6789ABCDEF		



SELECTOR
GEAR SHIFT

MODELOS/MODELS:
SENDA R
SENDA S.M.

Lám.
Diag.
15



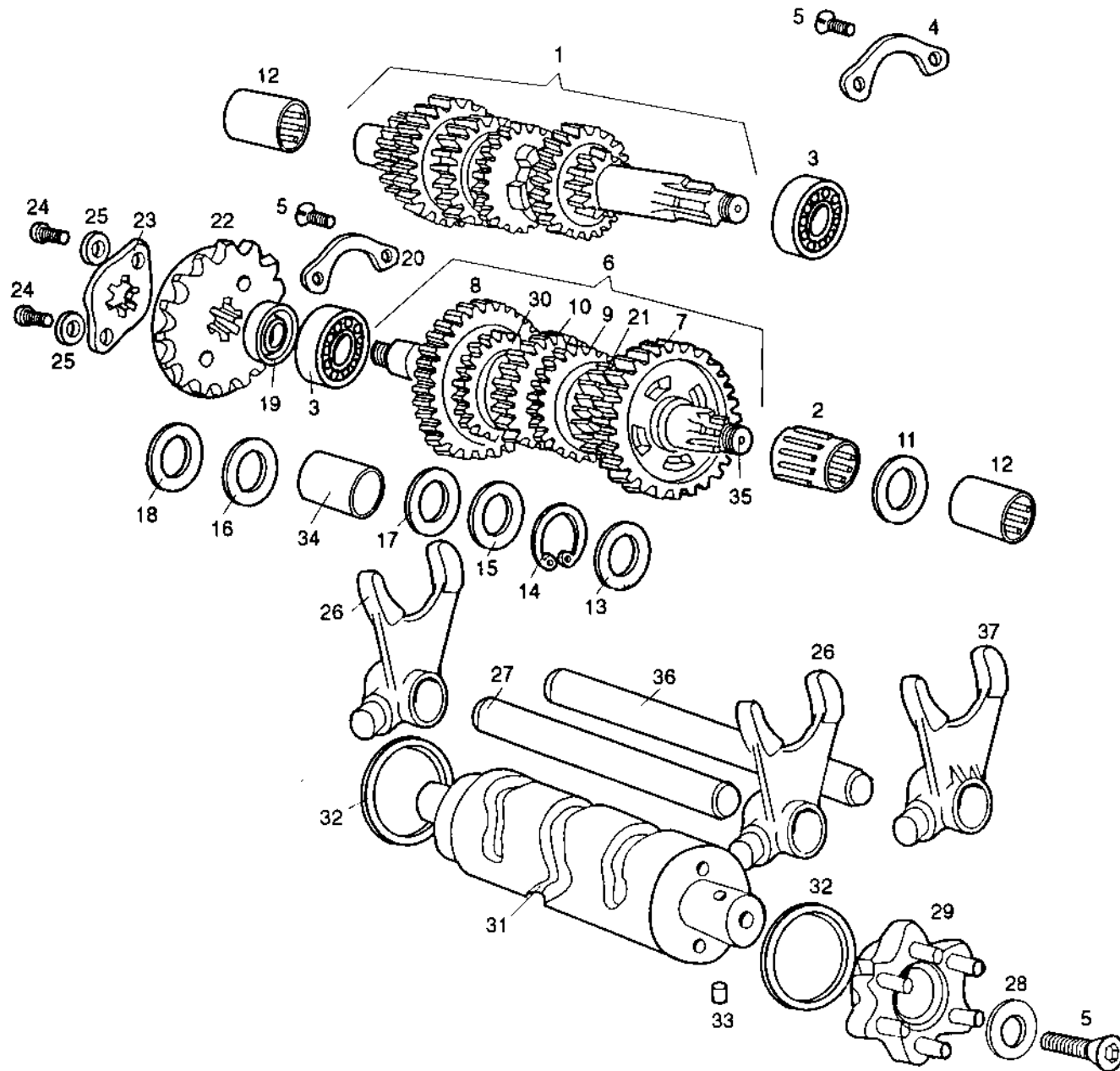
Figr.	Vers.	CODIGO CODE	DENOMINACION	NAME	MODELOS MODELS	Nº Motor Engine Nr.	Lám. Diagra. 15
01A		00H02700151	SCTO.EJE SELECTOR.74CC.	S-ASSY. SELECTOR SHAFT	1234 6789ABCDEF		
02A		00047031100	ANIL.S.EJES D12.D6799.111013-2	CIRCLIP, BRAKE SHOE RETENTION	1234 6789ABCDEF		
03A		00H02700231	ESPARRG.MUELLE SELEC.74/80CC.	SCREW, SELECTOR SPRING ADJ.	1234 6789ABCDEF		
04A		00H02700441	MUELLE FIJ.MARCHAS.74/80CC.	GEAR FIXING SPARING	1234 6789ABCDEF		
05A		00H02700451	TOR.GUIA FIJ.MARCHAS 74/80CC.	SCREW	1234 6789ABCDEF		
06A		00H02700491	SCTO.PALANCA FIJ.MARCHAS.74CC.	LEVER FIXING GEARS	1234 6789ABCDEF		
07A		00002027280	RET.EJE MANDO SELEC.12.20.5.SD	OIL SEAL, SELECTOR SHAFT	1234 6789ABCDEF		
08A		00002028770	ARAND.SEGURO TAMBOR COPPA	WASHER	1234 6789ABCDEF		
09A		00H02700251	MUELLE SELECTOR.74/80CC.	SPRING, SELECTOR	1234 6789ABCDEF		
10A		00H02701761	R-CTO.PALANCA CAMBIO.SDA-FEN.	GEARSHIFT ASSY	1234 6789ABCDEF		
11A		00003127270	PROTECT.APOYAP.PLNCA.CAMBIO.4V	RUBBER GEARSHIFT	1234 6789ABCDEF		
12A		00004072500	TOR.C/ALLEN.7M100X25.D-912/8.8	HEX.SOCKET-HEAD SCREW7M100X25	1		
12A	01	00000004625	TOR.C/ALLEN.6M100X25.D-912	HEX.SOCKET-HEAD SCREW 6MX25	1234 6789ABCDEF	H029058	
13A		00000033060	ARAND.MUELLE. D.6.DIN-127-B.	SPRING WASHER D6	1234 6789ABCDEF		



PRIMARIO Y SECUNDARIO
PRIMARY AND SECONDARY

MODELOS/MODELS:
SENDA R
SENDA S.M.

Lám.
Diag.
16



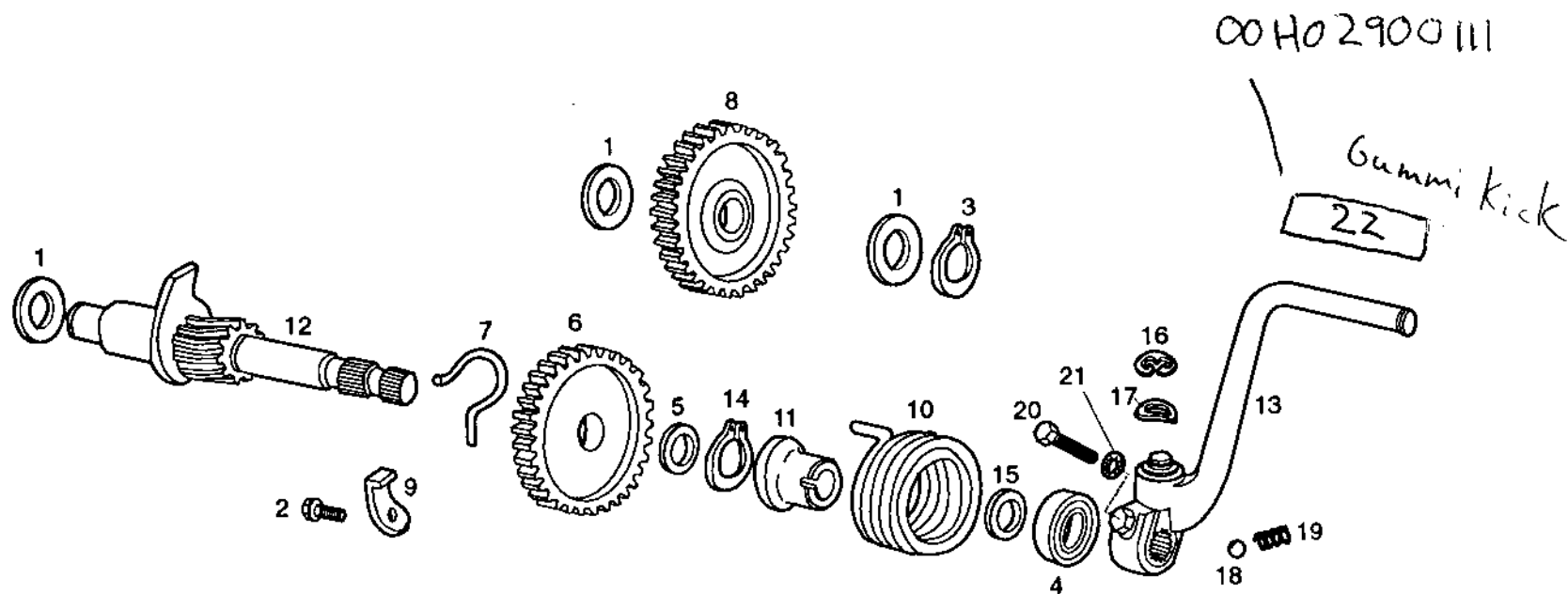
Figr.	Vers.	CODIGO CODE	DENOMINACION	NAME	MODELOS MODELS	Nº Motor Engine Nr.	Lám. Diagra. 16
01A		00H02801291	SCTO.EJE PRIMARIO.SENDA-AGUA.	DRIVE SHAFT.	1234 6789ABCDEFG		
02A		00D02820101	CORONA AGUJ.PIÑ.2-1A.K14X18X8F	NEEDLE BEARING	1234 6789ABCDEFG		
03A		00059120300	COJINETE 6203-C4.17.40.12 R1.5	BEARING	1234 6789ABCDEFG		
04A		00H02800901	PREC.COJINETE EJE PRIM.80CC.	PLATE POSITION BALL BEARINGS	1234 6789ABCDEFG		
05A		00000013510	TOR.AV.ALL.5M80X10.D7991/10.9	ALLEN COUNT HEAD SCR.5M80X10	1234 6789ABCDEFG		
06A		00H02801131	CTO.EJE SECUNDARIO.SENDA-AGUA.	OUTPUT SHAFT	1234 6789ABCDEFG		
07A		00H02820211	PIÑON SEC.I.Z-34.BI-3.	OUTPUT GEAR 1ST	1234 6789ABCDEFG		
08A		00H02801221	PIÑON SECUND.II.Z-30 SENDA	SECONDARY GEAR	1234 6789ABCDEFG		
09A		00H02810231	PIÑON SECUND.III.Z-27.6V.74CC.	OUTPUT GEAR 3RD.	1234 6789ABCDEFG		
10A		00H02801481	PIÑON SECUND.IV.Z-24 SENDA	SECONDARY GEAR	1234 6789ABCDEFG		
11A		00H02800181	ARAND.REGLAJE EJE SECUNDARIO	WASHER	1234 6789ABCDEFG		
12A		00002028450	CASQ.AGUJAS EJES I-II.HK-1412.	NEEDLE BEARING, GEAR SHAFTS	1234 6789ABCDEFG		
13A		00H02800251	ARAND.ROZAMTO.PIÑON SECUND.I	WASHER	1234 6789ABCDEFG		
14A		00002028550	ANILLO SEG.PIÑONES.D18.	CIRCLIP D 18	1234 6789ABCDEFG		
15A		00H02800561	ARAND.PIÑS.SECUND.III/IV.A.A.	WASHER	1234 6789ABCDEFG		
16A		00H02810561	ARAND.ROZMTO.PIÑ.PRIM.V.74/80C	WASHER.	1234 6789ABCDEFG		
17A		00H02820561	ARAND.ROZAMT.PIÑON SEC.II.74CC	WASHER.	1234 6789ABCDEFG		
18A		00H02810181	ARAND.COJINT.EJE SECUNDARIO	LAYSHAFT BEARING WASHER	1234 6789ABCDEFG		
19A		00H02800401	RETEN.PIÑON SALIDA CAMB.74/80C	SEAL SSROCKET	1234 6789ABCDEFG		
20A		00002028900	PRECTO.COJNTS.EJES PRIM./SEC.	PLATE POSITION, BALL BEARINGS	1234 6789ABCDEFG		
21A		00H02810411	PIÑON SECUND.V.Z-23.6V.74CC.	OUTPUT GEAR 5TH.	1234 6789ABCDEFG		
22A		00H02820371	PIÑON SALIDA CAMB.Z-12.50CC.4V	SPROCKET, COUNTERSHAFT	1234 67 B DE-		13 00H02840371
22B		00H02840371	PIÑON SALIDA CAMB.Z-13.GPR/75.	SPROCKET, COUNTERSHAFT	89A C FG		
23A		00H02810421	PREC.PIÑON SALIDA CAMB.50.4V	LOCKWASHER, COUNTERSHAFT SPRO	1234 6789ABCDEFG		14 00H02804371
24A		00000004512	TOR.C/ALLEN 5M80X12NEGRO	ALLEN SCREW M5X12	1234 6789ABCDEFG		
25A		000000031050	ARAND.PLANA MEC.D.5.DIN125-B	MACHINED FLAT WASHER D5	1234 6789ABCDEFG		
26A		00H02820651	HORQ.SECUNDARIA.4-6V.	FORK OUTPUT	1234 6789ABCDEFG		
27A		00H02800881	EJE HORQ.SECUNDARIA 74/80CC.	SECONDARY FORK SHAFT	1234 6789ABCDEFG		
28A		00H02800801	ARAND.PIÑ.CONTR/MAND.TAMBOR	SCREW	1234 6789ABCDEFG		
29A		00H02810631	CABEZA MANDO TAMBOR.74CC.	DRUM HEAD	1234 6789ABCDEFG		
30A		00H02810741	PIÑON SECUND.VI.Z-22.6V.74CC.	OUTPUT GEAR 6TH.	1234 6789ABCDEFG		
31A		00H02802861	TAMBOR DISTRIBUIDOR SENDA L-94	SHIFT DRUM	1234 6789ABCDEFG		
32A		00D04000291	ARAND.TAMBOR DISTRIBD.0,5.4/6V	WASHER 0,5 4-6V.	1234 6789ABCDEFG		
33A		00000066060	RODILLO.4X6.	ROLLER 4X6	1234 6789ABCDEFG		
34A		00H02800241	CASQ.PIÑON SECUND.II.74CC.	BUSHING	1234 6789ABCDEFG		
35A		00H02810161	EJE SECUND.74CC.	OUTPUT SHAFT	1234 6789ABCDEFG		
36A		00H02800891	EJE HORQ.PRIMARIA.74/80CC.	PRIMARY FORK SHAFT	1234 6789ABCDEFG		
37A		00H02820661	HORQ.PRIMARIA.V-VI.74CC.	FORK OUTPUT	1234 6789ABCDEFG		



ARRANQUE
KICKSTARTER

MODELOS/MODELS:
SENDA R
SENDA S.M.

Lám.
Diag.
17



Figr.	Vers.	CODIGO CODE	DENOMINACION	NAME	MODELOS MODELS	Nº Motor Engine Nr.	Lám. Diagra. 17
01A		00002028770	ARAND.SEGURO TAMBOR COPPA	WASHER	1234 6789ABCDEF		
02A		00H02900761	TOR.FIJ.TOPE ARRQ.SDA/FEN.6X10	SCREW	1234 6789ABCDEF		
03A		00000047111	ANILLO SEG.EJES D11.DIN-471.	CIRCLIP, SELECTOR SHAFT	1234 6789ABCDEF		
04A		00D02910131	RETEN EJE ARRANQUE 15-26-5	OIL SEAL 15-26-5	1234 6789ABCDEF		
05A		00005529290	ARAND.TOPE PIÑ.ARRQ.	WASHER	1234 6789ABCDEF		
06A		00H02900091	PIÑON ARRANQUE Z-29 SENDA.	KICKSTARTER GEAR Z-29	1234 6789ABCDEF		
07A		00H02900281	MUELLE PIÑON ARR.SENDA	SPRING, ENGAGEMENTE REAR	1234 6789ABCDEF		
08A		00H02901441	PIÑON INTERMED.ARRQ.SENDA	DRIVING GEAR	1234 6789ABCDEF		
09A		00H02901551	REFZO.TOPE ARRQ.SENDA	KICKSTARTER LEVER STOP	1234 6789ABCDEF		
10A		00H02900041	MUELLE ARRANQUE, SENDA	KICKSTARTER SPRING	1234 6789ABCDEF		
11A		00H02900271	CAZLTA.GUIA MUELLE ARRQ.SDA	SPRING GUIDE	1234 6789ABCDEF		
12A		00H02900011	SCTO.EJE ARRANQUE, SENDA	KICKSTARTER SHAFT	1234 6789ABCDEF		
13A		00H02900421	R-CTO.PALANCA ARRANQUE FENIX.	KICKSTARTER SHAFT	1234 6789ABCDEF		
14A		00000047122	ANILLO SEG.EJES D22.DIN-471	CIRCLIP D22 DIN 471	1234 6789ABCDEF		
15A		00002029050	ARAND.TOPE ARRQ.4-6V.	WASHER	1234 6789ABCDEF		
16A		00047030900	ANILL.SEG/EJ.D9-12 D6799/8	CIRCLIP D9-12 DIN-6799	1234 6789ABCDEF		
17A		00000036100	ARAND.MUELLE AB.D10,5.DIN137.A	WASHER	1234 6789ABCDEF		
18A		00000061040	BOLA.D.4,76.	BALL, D.4,76	1234 6789ABCDEF		
19A		00003127200	MUELLE GATILLOS.ANTORCHA.	SPRING, DETENT	1234 6789ABCDEF		
20A		00000002625	TOR.C/EXAG. 6M100X25.D933 8.8	HEX. HEAD SCREW M6X25	1234 6789ABCDEF		
21A		00034000602	ARAND.ESTRELL.INT.D6.DIN6798-J	INNER STAR WASHER 0 6	1234 6789ABCDEF		

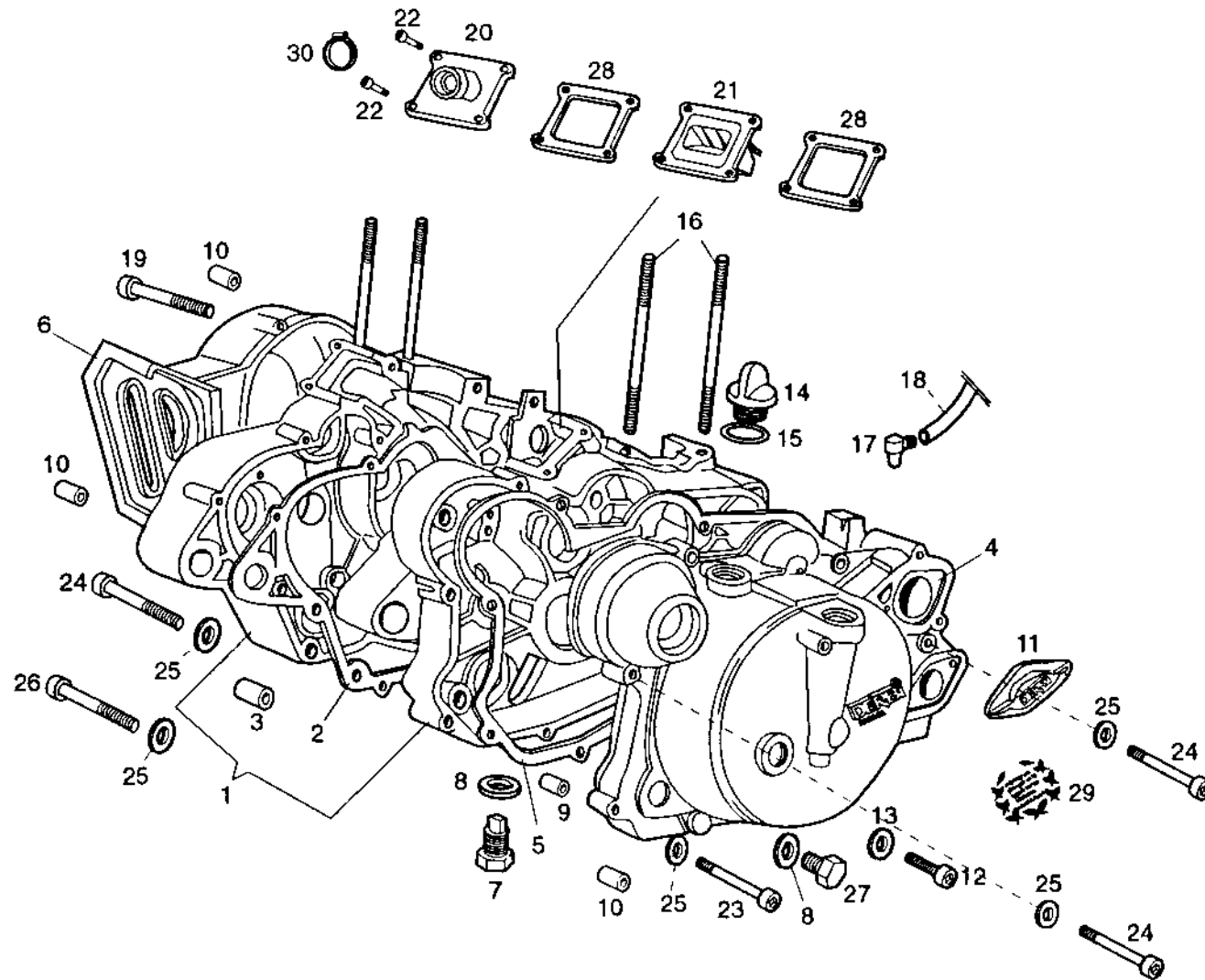
22 Kick gummi 00H02900111



CARTERS
CRANKCASE

MODELOS/MODELS:
SENDA R
SENDA S.M.

Lám.
Diag.
18



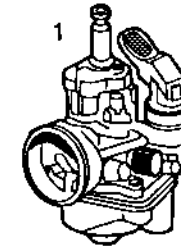
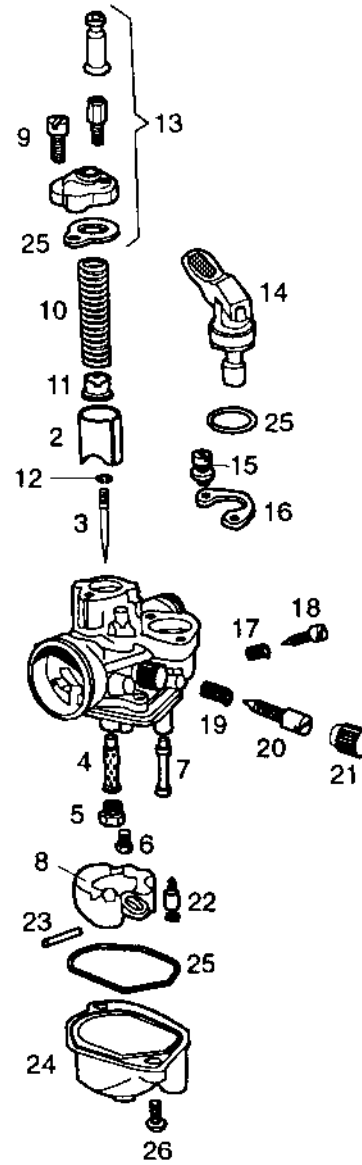
Figr.	Vers.	CODIGO CODE	DENOMINACION	NAME	MODELOS MODELS	Nº Motor Engine Nr.	Lám. Diagra. 18
01A		00H03004632	CTO.CARTERS GR.ZIR.SENDA-R	CRANKCASE ASSEMBLY	123		
01B		00H03003632	CTO.CARTERS.SDA-R/95 ALEM.	CRANKCASE ASSEMBLY	4 6789ABCDEF		
02A		00H03000031	JUNTA CARTERS.50CC.	GASKET, CHANKCASE	1234 6789ABCDEF		
03A		00H03010361	SEPARAD.SILENT.DT.CARTER	BUSHING	1234 6789ABCDEF		
04A		00H03003882	SCTO.TAPA CARTER DR.SENDA-R	CRANKCASE COVER	123		
04B		00H03002882	SCTO.TAPA CARTER DR.SDA-R AL.	CRANKCASE COVER	4 6789ABCDEF		
05A		00H03000141	JUNTA TAPA CARTER DR.74/80CC.	GASKET RIGHT-HAND COVER	1234 6789ABCDEF		
06A		00H03000242	TAPA CARTER IZ.SENDA-R	CRANK CASE COVER LEFT	1234 6789ABCDEF		
07A		00A03000421	CTO.TOR.VACDO.ACTE.VARIANT.	DRAIN PLUG W/MAGNET	1234 6789ABCDEF		
08A		00A03000121	ARAND.VACDO.ACTE.VARIANT.	GASKET, DRAIN PLUG	1234 6789ABCDEF		
09A		00002030020	PASADOR UNION CARTER.	DOWEL PIN, CRANCKASE	1234 6789ABCDEF		
10A		00H03000831	CENTRAD.TAPA CART.IZ.49/74/80	SPACER, CRANCKASE	1234 6789ABCDEF		
11A		00H03700291	TAPETA ALOJMTO.BOMBA ACTE.50CC	COVER PUMP OIL	123		
12A		00000004610	TOR.C/ALLEN.6M100X10.DIN-	ALLEN SCREW M6X10	1234 6789ABCDEF		
13A		00003102280	ARAND.NIVEL ACEITE.D.6.ANTOR.	WASHER, SEALING	1234 6789ABCDEF		
14A		00H03000081	TOR.LLENADO ACEITE 74/80CC	OIL FILLER SCREW	1234 6789ABCDEF		
15A		00001130370	ANILLO TORICO TAPON NIV.ACTE.	WASHER SEALING	1234 6789ABCDEF		
16A		00003130050	ESPARRG.FIJ.CILINDRO.ANTORCHA.	STUD CYLINDER	1234 6789ABCDEF		
17A		00005530600	RACORD SALIDA GASES CART.4-6V.	CRANKCASE VENT RACCORD	1234 6789ABCDEF		
18A		00H03700461	TUBO RESPIR.DPTO.ACTE.GPR/75.	VENT PIPE OIL TANK	1234 6789ABCDEF		
19A		00000004630	TOR.C/ALLEN.6M100X30.D-912/8.8	HEX.SOCKET-HEAD SCREW 6MX30	1234 6789ABCDEF		
20A		00H02503061	CTO.BOQUILLA CARB.GPR-50.	INTAKE MANIFOLD, ASSY.	123		
20B		00H02500061	CTO.BOQ.CARB.74/80CC.	INTAKE MANIFOLD, ASSY.	4 6789ABCDEF		
21A		00H02502641	CTO.SOPTE.VALV.ADMIS.SENDA-R	REED VALVE HOLDER	123		
21A	01	00H02510641	CTO.CAJA LAM.ADM.74/80CC.2598-	INLET BOX	1234 6789ABCDEF		
22A		00000004625	TOR.C/ALLEN.6M100X25.D-912	HEX.SOCKET-HEAD SCREW 6MX25	1234 6789ABCDEF		
23A		00000004635	TOR.C/ALLEN.6M100X35.D-912/8.8	ALLEN SCREW 6M100X3	1234 6789ABCDEF		
24A		00000004640	TOR.C/ALLEN.6M100X40.D-912.8.8	HEX.SOCKET-HEAD 6MX40	1234 6789ABCDEF		
25A		00000031060	ARAND.PLANA MECANIZ.D.6.DIN125	MACHINED FLAT WASHER D6 DIN-1	1234 6789ABCDEF		
26A		00000004650	TOR.C/ALLEN.6M100X50.D-912.8.8	HEX.SOCK-HEAD SCR.6M100X50D91	1234 6789ABCDEF		
27A		00A03000131	TOR.VACIADO ACEITE.	PLUG, DRAIN	1234 6789ABCDEF		
28A		00H02500811	JUNTA SOPTE.VALVULA ADMIS.74CC	INLET VALVE GASKET	1234 6789ABCDEF		
29A		00F03000903	CALCA SCANIMET.NEGRA.SCO-50-BL	DECAL, SCANIMET.	123		
30A		00H03800451	ABRAZ.BOCA LLENADO AGUA.	WATER FILLER INLET CLAMP	4 6789ABCDEF		



CARBURADOR
CARBURETOR

MODELOS/MODELS:
SENDA R
SENDA S.M.

Lám.
Diag.
19



Flgr.	Vers.	CODIGO CODE	DENOMINACION	NAME	MODELOS MODELS	Nº Motor Engine Nr.	Lám. Diagra. 19
01A		00H03211011	CTO.CARBURADOR SENDA-R(1095)	CARBURETOR	1234 6789ABCDEF		
02A		00H03201211	R-COMPUERTA GAS.D.30	SLIDE	1234 6789ABCDEF		
03A		00G03201431	R-AGUJA PULVERIZ.VAM.AUS.40K/H	NEEDLE	1234 67		
03A	01	00H03202431	AGUJA PULVERIZAD.A8 3m SD.R	NEEDLE	1234 6789ABCDEF		
04A		00H03203421	R-PULVERIZADOR GA210 SENDA R	NEEDLE, JET GA210	1234 67		
04A	01	00F03200421	R-PULVERIZADOR GA 211	NEEDLE, JET	1234 6789ABCDEF		
05A		00H03205031	R-SURTIDOR MAX.73 SENDA R *	MAIN JET 73	1234 6789ABCDEF		
06A		00H04103181	R-SURTIDOR MIN.D.36 SENDA R	JET MIN.D.36	1234 6789ABCDEF		
07A		00F03200481	R-SURTIDOR ENTR.AIRE 45 URBAN	IDLE JET	1234 6789ABCDEF		
08A		00G03201281	R-FLOTADOR.VAMOS.AUSTR.40 K/H.	FLOAT	1234 6789ABCDEF		
09A		00G03200061	R-TOR.FIJ.TAPA CAM.MEZCLA.VM/A	MIXING CHAMBER COVER SECURING	1234 6789ABCDEF		
10A		00G03201071	R-MUELLE VALV.GAS.VAM.AUS.40KH	THROTTLE VALVE RETURN SPRING	1234 6789ABCDEF		
11A		00G03200511	R-CASQ.AGUJA PULVERIZ.VA.AU.40	NEEDLE BUSHING	1234 6789ABCDEF		
12A		00G03201371	R-PINZA AGUJA PULVER.VAM.AU.40	NEEDLE CIRCLIP	1234 6789ABCDEF		
13A		00H03202231	R-TAPA CAMARA MEZCLA SENDA R	COVER, CARBURETOR, TOP	1234 6789ABCDEF		
14A		00H03203711	R-CTO.STARTER SENDA R	CHOKE LOCK	1234 6789ABCDEF		
15A		00G03200541	R-TOR.FIJ.START.AUTOM.VM.AU.40	AUTOMATIC CHOKE SECURING SCRE	1234 6789ABCDEF		
16A		00G03200551	R-PRECTO.FIJ.START.AUT.V.AU.40	AUTOMATIC CHOKE SECURING SCRE	1234 6789ABCDEF		
17A		00G03200721	R-MUELLE REG.AIRE MIN.VM.AU.40	IDLE ADJUSTER SPRING	1234 6789ABCDEF		
18A		00G03200731	R-TOR.REG.AIRE MIN.VAM.AU.40KH	IDLE ADJUSTER SCREW	1234 6789ABCDEF		
19A		00G03200101	R-MUELLE REG.VALV.GAS.VM.AU.40	THROTTLE VALVE ADJUSTER SPRIN	1234 6789ABCDEF		
20A		00G04100131	R-TOR.REG.VALV.GAS.VAM.AU.40KH	THROTTLE VALVE ADJUSTER SCREW	1234 6789ABCDEF		
21A		00G04100741	R-BOTON TOR.REG.VALV.GAS.V.AU.	THROTTLE VALVE ADJUSTER SCREW	1234 6789ABCDEF		
22A		00G03201051	R-CTO.AGUJA FLOTAD.VAM.AU.40KH	FLOAT NEEDLE ASSY	1234 6789ABCDEF		
23A		00G03201121	R-PASADOR EJE FLOTAD.VA.AU.40K	FLOAT PIN	1234 6789ABCDEF		
24A		00H03201201	R-VASO GASOLINA	FLOAT BOLWL.	1234 6789ABCDEF		
25A		00G04100771	R-CTO.JUNTAS CARBUR.V.25K/H.AL	CARBURETOR GASKET SET	1234 6789ABCDEF		
26A		00G03201091	R-TOR.FIJ.VASO GASOL.VA.AU.40K	FLOAT CHAMBER SECURING SCREW	1234 6789ABCDEF		

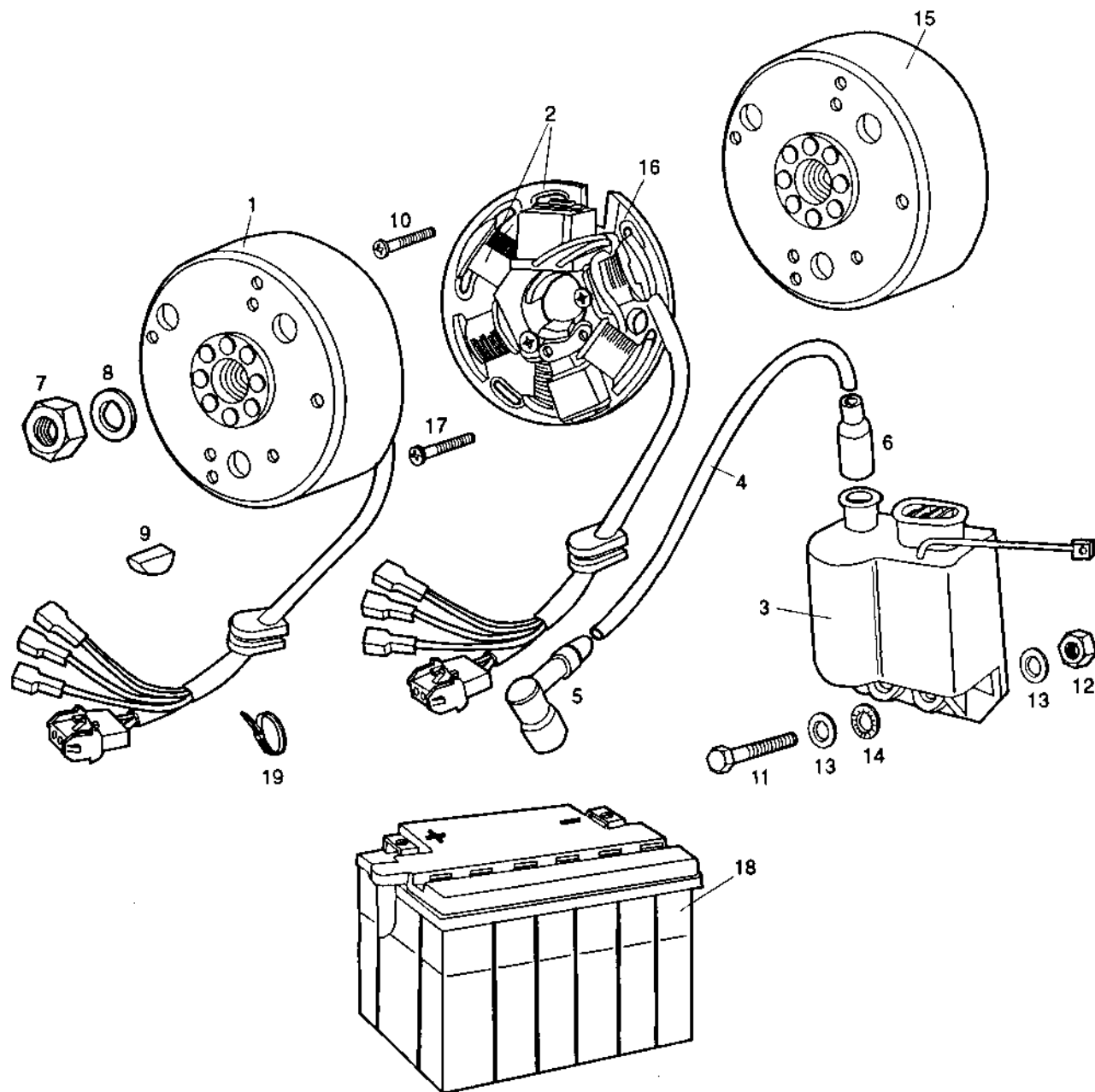
* = 60 = 00H03206031



VOLANTE MAGNETICO
MAGNETO FLYWHEEL

MODELOS/MODELS:
SENDA R
SENDA S.M.

Lám.
Diag.
20



Figr.	Vers.	CODIGO CODE	DENOMINACION	NAME	MODELOS MODELS	Nº Motor Engine Nr.	Lám. Diagra. 20
01A		00H03301011	CTO.VOLTE.ELECTR.12V 65W SENDA	MAGNETO ASSEMBLY	1234 6789ABCDEF		
02A		00H03300701	R-CTO.STATOR VOL.ELECTR.SENDA	STATOR PLATE	1234 6789ABCDEF		
03A		00H03330171	CTO.CONVER.ELECTRONICO	COIL, PRIMARY IGNITION	1234 6789ABCDEF		
04A		00F03310741	CABLE BOBINA.START.A.E.	CABLE COIL PRIMARY IGNITION	1234 6789ABCDEF		
05A		00E03300271	CTO.PIPA BUJIA.-SCO-50.	COVER, SPARK PLUG	1234 6789ABCDEF		
06A		00F03300731	CAPUCHON CABLE BOBINA SCO-50.	COIL CABLE RUBBER PROTECTOR	1234 6789ABCDEF		
07A		00H03300221	TCA.FIJ.VOLTE.MAGN.74/80CC.	NUT,MAGNETO ASSEMBLY	1234 6789ABCDEF		
08A		00F03300241	ARAND.FIJ.VOLTE.MAGN.SCO.DCT.	WASHER, FLYWHEEL 10MM	1234 6789ABCDEF		
09A		00003133230	CHAVETA VOLTE.MAGN.P.REC.MCH.	KEY, FLYWHEEL	1234 6789ABCDEF		
10A		00003133260	TOR.FIJ.VOLTE.MAGN.5M80X10.	SCREW, STATOR PLATE	1234 6789ABCDEF		
11A		00000002515	TOR.C/EXAG. 5M80X16.DIN-933	HEX.HEAD SCREW 5M80X15	1234 6789ABCDEF		
12A		00000021050	TCA.EXAG. 5M80. DIN-	HEXAGON NUT 5M80	1234 6789ABCDEF		
13A		00000031050	ARAND.PLANA MEC.D.5.DIN125-B	MACHINED FLAT WASHER D5	1234 6789ABCDEF		
14A		00000034050	ARAND.ESTRELL.INT.D5-DIN6798-J	INNER WASHER DIN6797	1234 6789ABCDEF		
15A		00H03301121	R-CTO.ROTOR VOLTE.ELECTR.SENDA	FLYWHEEL ROTOR	1234 6789ABCDEF		
16A		00F03310021	R-PLATO BASE.V.TOP.	PLATE. STATOR.	1234 6789ABCDEF		
17A		00000012420	TOR.C/RED.CRUZ 4M70X20 D7985NG	ROUNDHEAD PHILIPS SCREW 4MM-	1234 6789ABCDEF		
18A		00F03300401	BATERIA.12V.4AH.START.A.EL.	BATTERY 12V.4AH.	4 6789ABCDEF		
19A		00A00900531	BRIDA UNECABLES NEGRA.	BLACK CABLE TIE	1234 6789ABCDEF		

Tändhätt utbytes

5

00G03301271

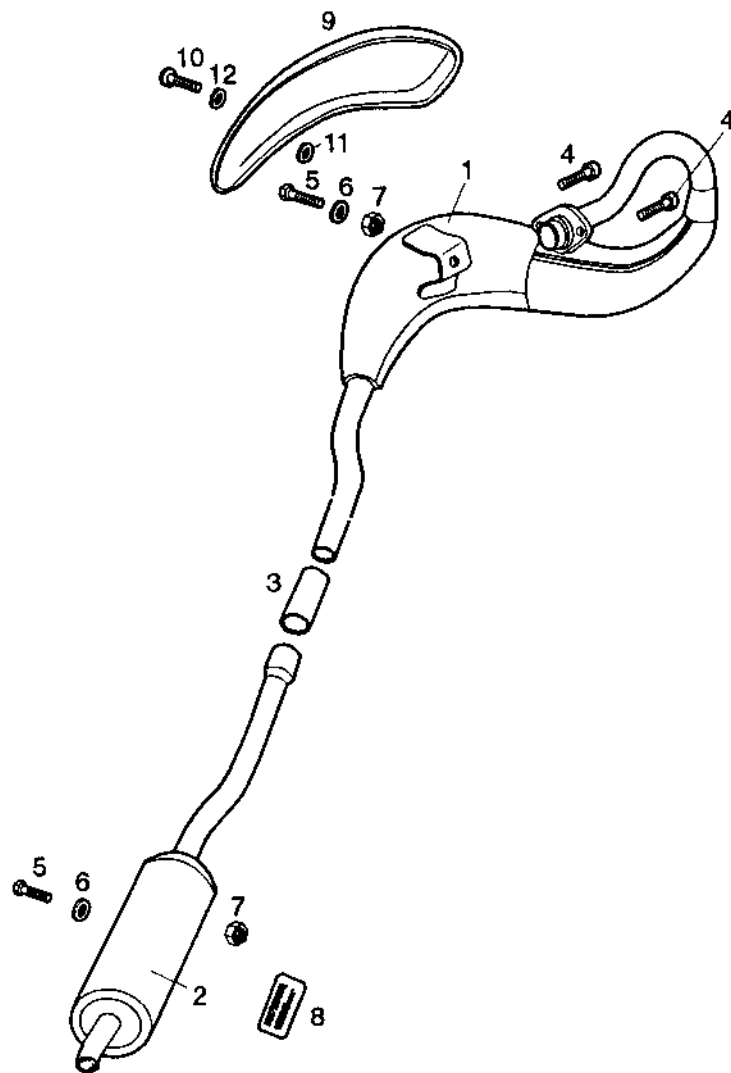
3: Box Leonelli 00H03331171



ESCAPE Y SILENCIOSO
EXHAUST SYSTEM

MODELOS/MODELS:
SENDA R
SENDA S.M.

Lám.
Diag.
21



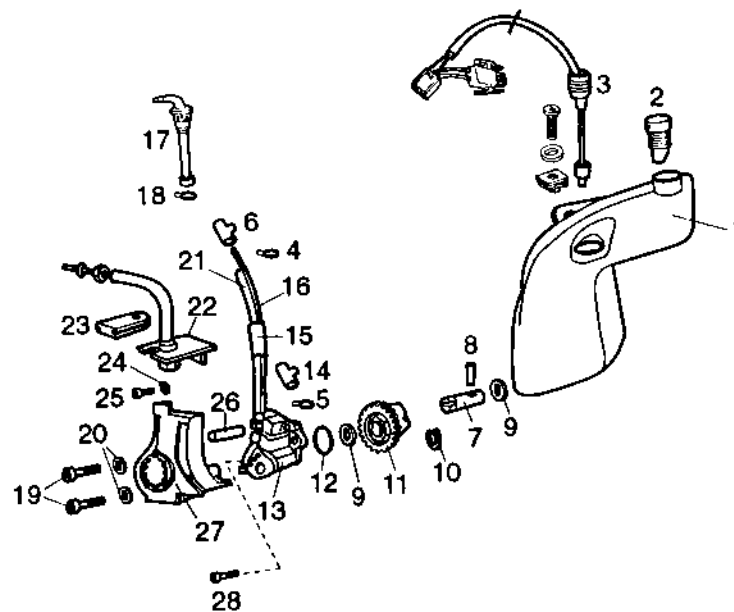
Figr.	Vers.	CODIGO CODE	DENOMINACION	NAME	MODELOS MODELS	Nº Motor Engine Nr.	Lám. Diagra. 21
01A		00H03407081	SCTO.TUBO ESCAPE-SIL.SDA-R	EXHAUST PIPE AND MUFFLER	1234 67 B DE		
01B		00H03417081	SCTO.TUBO ESC-SIL.SD.SUP.MOT.	EXHAUST PIPE AND MUFFLER	89A C FG		
02A		00H03413411	R-SCTO.SORDINA C/ENVOL.SENDA-R	EXHAUST TANK	1234 67 B DE		
02B		00H03415411	SCTO.SORDINA SDA.S.M.ROJO-K FR	EXHAUST TANK	89A C FG		
03A		00H03401321	MANGUITO ENTRADA GASES SORDINA	HOSE, MUFFLER CONNECTING	1234 6789ABCDEF		
04A		00000004620	TOR.C/ALLEN.6M100X20.D-912/8.8	ALLEN SCREW M6X20	1234 6789ABCDEF		
05A		00000002816	TOR.C/EXAG.8M125X16D933.BCR8.8	SCREW M8X16	1234 6789ABCDEF		
06A		00000031080	ARAND.PLANA MECANIZ.D.8.DIN125	MACHINED FLAT WASHER D8 DIN-1	1234 6789ABCDEF		
07A		00023108000	TCA.AUTOBLOC. 8M125.DIN-985.8	SELF-LOCKING NUT M8	1234 6789ABCDEF		
08A		00F04600012	CALCA SILENC.START/SCOOT.	DECAL, SXHAUST PIPE	1234 6789ABCDEF		
09A		00H01803391	PROTECT.SILENCIOSO SENDA R.	SILENCER PROTECTOR	1234 67 B DE		
09B		00H01805391	PROTEC.SILC.INOX.SENDA S.M.FR.	SILENCER PROTECTOR	89A C FG		
10A		00008041000	TOR.C/RED.ALLEN.4M70X10.	SCREW.4M70X10.	1234 6789ABCDEF		
11A		00G04200361	ARAND.FIJ.PROTECT.SILENC.VM.AL	WASHER	1234 6789ABCDEF		
12A		00032000400	R-ARAND.PLANA.D.4'3.DIN.125-B.	WASHER	1234 6789ABCDEF		



**BOMBA ACEITE
OIL PUMP**

**MODELOS/MODELS:
SEDA R
SEDA S.M.**

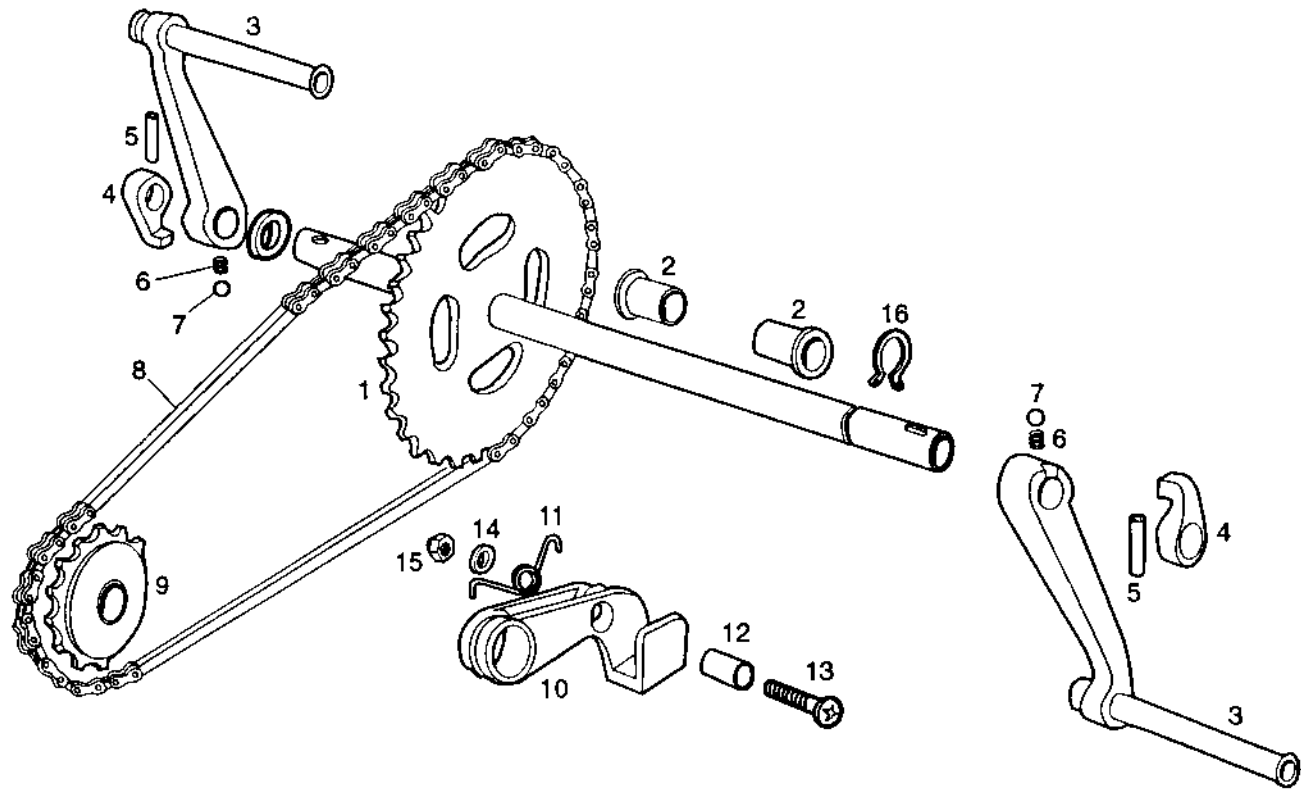
**Lám.
Diag.
22**



Figr.	Vers.	CODIGO CODE	DENOMINACION	NAME	MODELOS MODELS	Nº Motor Engine Nr.	Lám. Diagra. 22
01A		00H03701081	SCTO.DEPOSITO ACEITE.SENDA.	OIL, TANK	4 6789ABCDEFG		
02A		00F03710241	CTO.TAPON DEPTO.ACTE.SCO/90.	OIL RESERVOIR FILLER PLUG ASS	4 6789ABCDEFG		
03A		00H03701051	CTO.INDIC.NIVEL ACEITE.SDA.AL.	LEVEL PLUG	4 6789ABCDEFG		
04A		00H00400501	ABRAZ.ELAST.TUBO GAS.	FUEL PIPE ELASTIC CLAMP	4 6789ABCDEFG		
05A		00F03710131	ABRAZ.ELAST.D.8'6.	CLAMP	4 6789ABCDEFG		
06A		00H03700211	BRIDA FIJ.TUBO ACT.A BOQ.GPR75	COLLAR OIL FLEXIBLE TUBE	4 6789ABCDEFG		
07A		00H03700101	EJE BOMBA ACEITE.74/80CC.	PUMPOIL AXLE	4 6789ABCDEFG		
08A		00053030000	PASAD.SUJ.ESPIR.3,-X20.D-7343.	FORK PIN	4 6789ABCDEFG		
09A		00H05000281	ARAND.TOPE PIÑON INTERMD.74/80	THRUST PLATE	4 6789ABCDEFG		
10A		00000047110	ANILLO SEG.EJES D10.DIN-471.	CIRCLIP, BRAKE SHOE RETENTION	4 6789ABCDEFG		
11A		00H03800381	PIÑON BOMBAS AGUA/ACEITE.80CC.	PUMP OIL GEAR	4 6789ABCDEFG		
12A		00H03700041	JUNTA TORICA BOMBA ACTE.GPR/75	O RING	4 6789ABCDEFG		
13A		00H03701021	CTO.BOMBA ACEITE.SDA.AL.12235	OIL PUMP	4 6789ABCDEFG		
14A		00H03700211	BRIDA FIJ.TUBO ACT.A BOQ.GPR75	COLLAR OIL FLEXIBLE TUBE	4 6789ABCDEFG		
15A		00H03700351	MANGUITO UNION TUB.ACTE.74/80C	OIL PIPE COUPLING CONNECTOR	4 6789ABCDEFG		
16A		00H03700121	TUBO SALIDA ACTE.A BOQ.74/80CC	OIL FLEXIBLE PUMP TUBE TO ADA	4 6789ABCDEFG		
17A		00H03701411	CTO.FILTRO ACEITE.SDA.ALEM.	BY-PAS OIL FILTER	4 6789ABCDEFG		
18A		00008204500	ABRAZ.FIJ.GRIFO.16-25.	FUEL COCK SECURING CLAMP	4 6789ABCDEFG		
19A		00004154500	TOR.C/ALLEN.5M80X45.NEG.D-912.	HEX.SOCKET-HEAD SCREW5M80X45	4 6789ABCDEFG		
20A		00000033050	ARAND.MUELLE. D.5.DIN-127-B.	SPRING WASHER D5 D127	4 6789ABCDEFG		
21A		00H03701111	TUBO SALIDA.DPTO.ACTE.SD.ALEM.	OIL FLEX, PUMP	4 6789ABCDEFG		
22A		00H03700311	SCTO.SOPTE.GUIA CABLES.74CC.	OIL CABLE, SUPPORT	4 6789ABCDEFG		
23A		00H03700141	PASACAB.SAL.BOMBA ACTE.74/80CC	RUBBER	4 6789ABCDEFG		
24A		00000031050	ARAND.PLANA MEC.D.5.DIN125-B	MACHINED FLAT WASHER D5	4 6789ABCDEFG		
25A		00000004510	TOR.C/ALLEN.5M80X10.DIN-	HEX.SOCKET-HEAD SCREW M5X10	4 6789ABCDEFG		
26A		00H03700341	CASQ.TAPA BOMBA ACEITE.74CC.	BUSHING, COVER OIL PUMP	4 6789ABCDEFG		
27A		00H03701012	TAPA BOMBA ACEITE.SENDA-R ALEM	OIL PUMP COVER	4 6789ABCDEFG		
28A		00000004515	TOR.C/ALLEN 5M80X15 D912/8.8NG	ALLEN SCREW M5X15	4 6789ABCDEFG		



PEDALIER	MODELOS/MODELS: SENDA R SENDA S.M.	Lám. Diag. 23
----------	--	---------------------



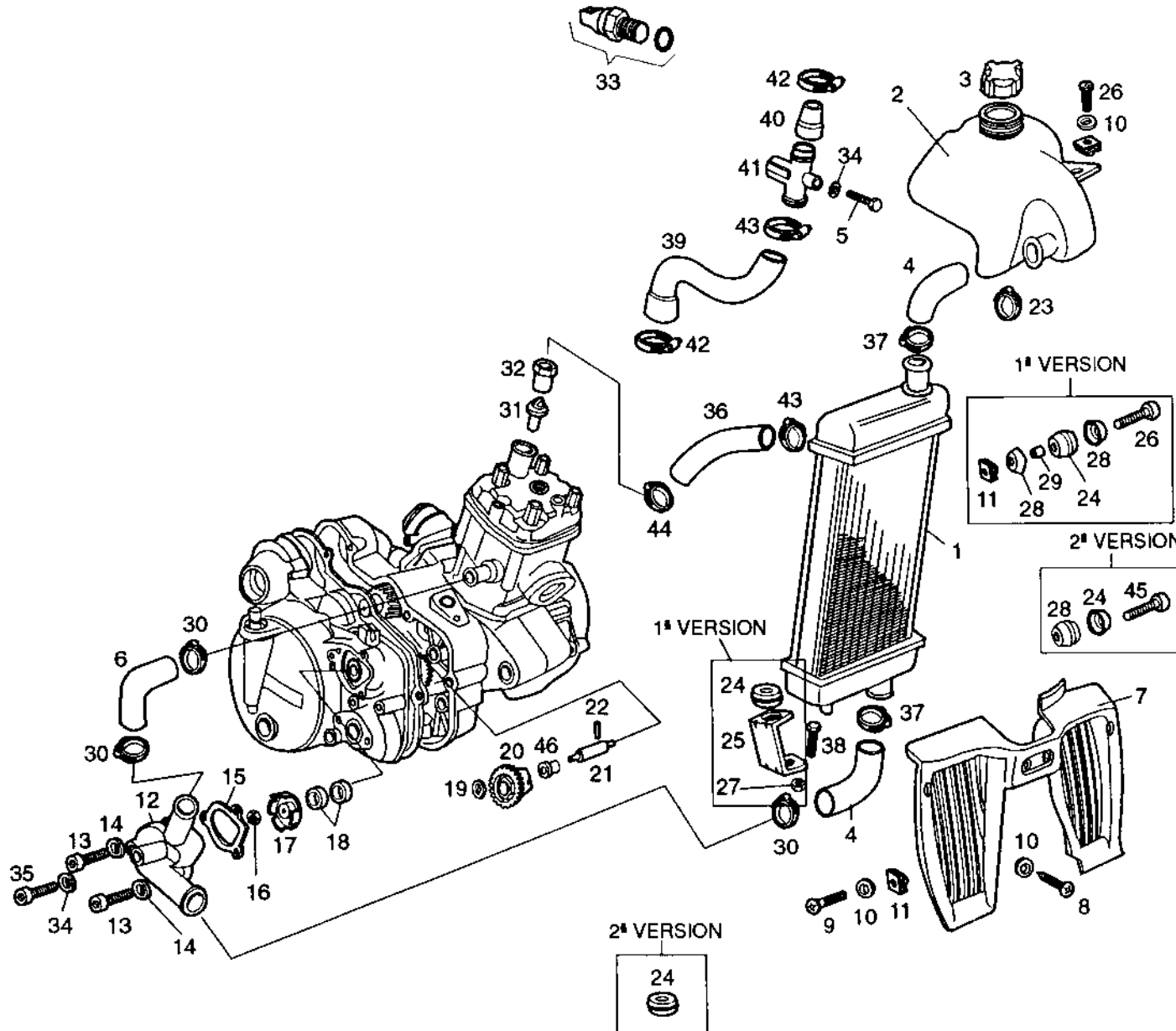
Figr.	Vers.	CODIGO CODE	DENOMINACION	NAME	MODELOS MODELS	Nº Chasis Frame Num.	Lám. Diagra. 23
01A		00H03500521	SCTO.EJE PEDALIER SENDA	PEDAL SHAFT SUB-ASSEMBLY			
01A	01				1		
02A		00D00310591	CASQ.ROZAMTO.EJE PEDALIER 4-V	PEDAL SHAFT RUB CAP		H027959	
02A	01				1		
03A		00G03500011	SCTO.BIELA PEDALES	PEDAL CRANK, LEFT		H027959	
03A	01				1		
04A		00H03500101	PROTC.EJE PEDALES SENDA	PEDAL SHAFT PROTECTOR		H027959	
04A	01				1		
05A		00053060100	PASAD.SUJ.ESPIRAL 6X24 D-7343	SPLIP PIN		H027959	
05A	01				1		
06A		00H03500771	MUELLE BIELA PEDALES SENDA	SPRING		H027959	
06A	01				1		
07A		00000061040	BOLA.D.4,76.	BALL, D.4,76		H027959	
07A	01				1		
08A		00B03510142	CAD.PEDALIER.84 PASOS.	CHAIN		H027959	
08A	01				1		
09A		00H03500061	PIÑON PEDALIER 2-18 SENDA	PINION		H027959	
09A	01				1		
10A		00H03500961	TENSOR CADENA PEDALIER SENDA	REAR CHAIN TENSIONER		H027959	
10A	01				1		
11A		00H03500181	MUELLE TENSOR CADENA PEDALIER	SPRING		H027959	
11A	01				1		
12A		00H03501211	CASQ.TENSOR CADENA PEDAL SENDA	BUSHING		H027959	
12A	01				1		
13A		00012062500	TOR.C/CRUZ 6M100X25.NG.D-7985.	SCREW M6X25		H027959	
13A	01				1		
14A		00000031060	ARAND.PLANA MECANIZ.D.6.DIN125	MACHINED FLAT WASHER D6 DIN-1		H027959	
14A	01				1		
15A		00000023060	TCA.AUTOBLOC. 6M100.DIN-985.8	SELF-LOCKING NUT M6		H027959	
15A	01				1		
16A		00000047116	ANILLO SEG.EJES D16.DIN-471.	CIRCLIP D16 DIN 471		H027959	
16A	01				1		



SISTEMA DE REFRIGERACION
COOLING SYSTEM

MODELOS/MODELS:
SENDA R
SENDA S.M.

Lám.
Diag.
24



Figr.	Vers.	CODIGO CODE	DENOMINACION	NAME	MODELOS MODELS	Nº Motor Engine Nr.	Lám. Diagra. 24
01A		00H03801011	SCTO.RADIADOR SENDA	RADIATOR ASSY.	1234 67		
01A	01	00H03803011	SCTO.RADIADOR SENDA-R	RADIATOR ASSY.	1234 6789ABCDEF	H066721	
02A		00H03801501	DEPOSITO AGUA RADIADOR.SENDA.	WATER TANK	1234 6789ABCDEF		
03A		00H03800471	CTO.TAPON RADIAD/DEP.AG.GPR-75	WATER RESERVOIR/RAD CAP ASSY	1234 6789ABCDEF		
04A		00H03801031	TUBO REFRIG.BOMBA-RADIAD.SENDA	RADIATOR PUMP RUBBER TUBE	12		
04B		00H03801032	TUBO REFR.BOMBA-RADIAD.SDA.R96	RADIATOR PUMP RUBBER TUBE	4 6789ABCDEF		
05A		00000002510	TOR.C/EXAG.5M80X10.DIN-933 NG.	HEXAGONAL HEAD SCREW 5M80X10	1234 6789ABCDEF		
06A		00H03801041	TUBO REFR.BOMBA-CILIND.GPR/80R	PUMP CILINDER RUBBER TUBE	123		
06B		00H03801042	TUBO REFR.BOMBA-CILIND.SDA.R96	PUMP CILINDER RUBBER TUBE	4 6789ABCDEF		
07A		00H03803301	REJILLA RADIADOR SENDA-R	RADIATOR GRID	1234 6789ABCDEF		
08A		00012063000	TOR.C/RED.CRUZ 6M100X30 D-7985	ROUNDHEAD PHILIPS SCREW	1234 6789ABCDEF		
09A		00008061500	TOR.C/RED.ALL.6M100X16.D7380	ALLEN ROUND HEAD SCREW 6M100X	1234 6789ABCDEF		
10A		00D01200171	ARAND.EJE LEVA-FIJ.CUBRECAD.	WASHER	123 789A C FG		
11A		00D01501371	TCA.FIJ.CUBRECAD.212827	NUT 1234 6789ABCDEF			
12A		00H03800132	TAPA BOMBA AGUA GRIS ZIRC.	WATER PUMP COVER	1234 6789ABCDEF		
13A		00000004515	TOR.C/ALLEN 5M80X15 D912/8.8NG	ALLEN SCREW M5X15	1234 6789ABCDEF		
14A		00000031050	ARAND.PLANA MEC.D.5.DIN125-B	MACHINED FLAT WASHER D5	1234 6789ABCDEF		
15A		00H03800141	JUNTA TAPA BOMBA AGUA.74/80CC.	GASKET	1234 6789ABCDEF		
16A		00M03800221	TCA.5M80 DE LATON	NUT	1234 6789ABCDEF		
17A		00H03800151	RODETE BOMBA AGUA.80CC.	WATER PUMP ROLLER	1234 6789ABCDEF		
18A		00H03810211	RETEN EJE BOMBA AGUA 10X24X6	SEAL, WATER PUMP	1234 6789ABCDEF		
19A		00H05000281	ARAND.TOPE PIÑON INTERMD.74/80	THRUST PLATE	1234 6789ABCDEF		
20A		00H03800381	PIÑON BOMBAS AGUA/ACEITE.80CC.	PUMP OIL GEAR	1234 6789ABCDEF		
21A		00H03800161	EJE BOMBA AGUA.74/80CC.	WATER-PUMP SHAFT	1234 6789ABCDEF		
22A		00053030000	PASAD.SUJ.ESPIR.3,-X20.D-7343.	FORK PIN	1234 6789ABCDEF		
23A		00H00401501	ABRAZ.GRIFO GASOL.D20 SENDA-R	PETROL VALVE CLAMP	1234 6789ABCDEF		
24A		00008915020	PROTECCION CABLES.	RUBBER,CABLE PROTECTOR	1234 6789ABCDEF		
25A		00H04802051	OREJA FIJ.INF.RADIADOR.SENDA.	RADIATOR SUPPORT	1234 67		
25A	01				1234 67	H063881	
26A		00000012620	TOR.C/RED.CRUZ.6M100X20.DIN-	SCREW,6M100X20	1234 67		
27A		00000023060	TCA.AUTOBLOC. 6M100.DIN-985.8	SELF-LOCKING NUT M6	123 789A		
27A	01				1234 6789A		
28A		00D01500551	CAZLTA.FIJ.SILENC.	HOUSING EXHAUST PIPE SUPPORT	1234 6789ABCDEF		
29A		00D01500471	CASQ.SILENT.SILENC.CX-6.	BUSHING, SILENTBLOCK	1234 67		
29A	01				1234 67	H063881	
30A		00H03800751	ABRAZ.FIJ.MANG.A CILINDRO D21	COBRA CLAMP	1234 6789ABCDEF		
31A		00H03800431	TERMOSTATO.74/80CC.	TERMOSTATE.	1234 6789ABCDEF		
32A		00H03810421	TCA.FIJ.TERMOSTATO GPR/75	NUT	1234 6789ABCDEF		
33A		00H02301441	TERMOCONTACTO.SENDA.	CLUTCH PLATE	123		
33B		00H02302441	TERMOCONTACTO SENDA'97	CLUTCH PLATE	4 6789ABCDEF		
34A		00H03800441	ARAND.TOR.VACIADO AGUA 74/80CC	WASHER	1234 6789ABCDEF		

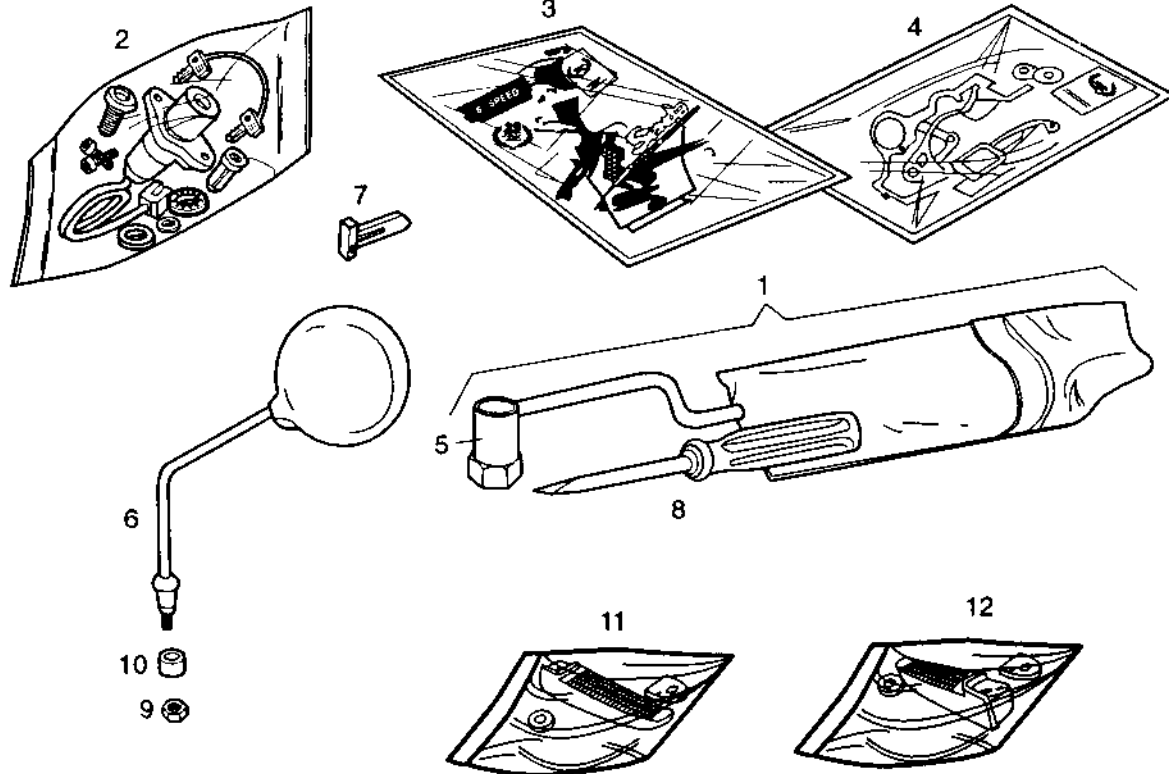
Figr.	Vers.	CODIGO CODE	DENOMINACION	NAME	MODELOS MODELS	Nº Motor Engine Nr.	Lám. Diagra. 24
35A		00000004512	TOR.C/ALLEN 5M80X12NEGRO	ALLEN SCREW M5X12	1234 6789ABCDEFG		
36A		00H03801021	TUBO REFRIG.CULATA-RADIAD.SEND	CYLINDER HEAD RUBBER TUBE	123		
36A	01				123	H045456	
37A		00H03800091	ABRAZ.FIJ.MANG.RADIAD.D25 SD-R	CLAMP FASTERING RADIATOR BUSH	1234 6789ABCDEFG		
38A		00000002615	TOR.C/EXAG. 6M100X15.DIN-	HEXAGONAL HEAD SCREW 6M100X15	1234 67		
38A	01				1234 67		
39A		00H03800051	TUBO CULATA-RACORD TERMOCTCTO.	CYLINDER HEAD PIPE-TERMOCONTA	1234 6789ABCDEFG		
40A		00H03800211	TUBO REFRIG.RACORD-RADIADOR	COUPLING COOLING PIPE-RADIATO	1234 6789ABCDEFG		
41A		00H03801731	RACORD UNION TUBOS REFR.SD.R96	COOLING PIPES UNION JOINT	1234 6789ABCDEFG		
42A		00H03801091	BRIDA FIJ.TUBO REFRIG.A RACORD	COOLING PIPE-RADIATOR FASTENI	1234 6789ABCDEFG		
43A		00H03801751	ABRAZ.FIJ.MANG.A RADIADOR D22	CLAPM FASTENING CASING TO SYL	1234 6789ABCDEFG		
44A		00H03800451	ABRAZ.BOCA LLENADO AGUA.	WATER FILLER INLET CLAMP	1234 6789ABCDEFG		
44A	01				123	H045456	
45A		00012061200	TOR.C/R.CR.6M100X12.NG.D-7985.	SCREW M6X12	1234 6789ABCDEFG	H066721	
46A		00H03800231	CASQ.EJES BOMBAS.74CC.	PUMP SHAFT BUSHING 74CC	1234 6789ABCDEFG		



ACCESORIOS NORMALES
TOOLS

MODELOS/MODELS:
SENDA R
SENDA S.M.

Lám.
Diag.
25



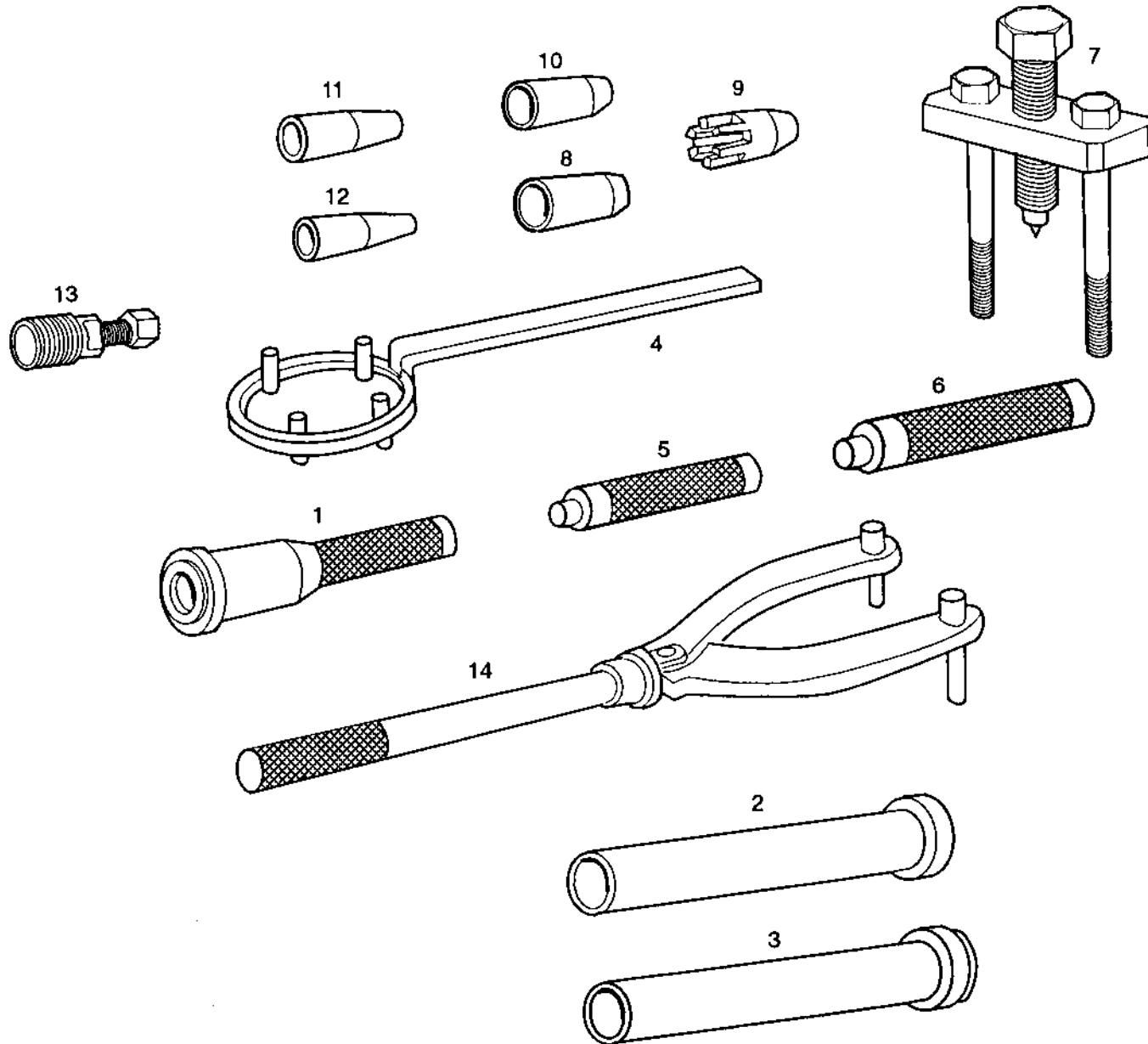
Figr.	Vers.	CODIGO CODE	DENOMINACION	NAME	MODELOS MODELS	Nº Chasis Frame Num.	Lám. Diagra. 25
01A		00H05101561	CTO.BOLSA HERRTAS.SENDA-AGUA	TOOL POUCH	1234 6789ABCDEF		
02A		00H04601871	R-CTO.KIT CERRAD.C/LEVAS SD-R.	KIT LOCK WITH KEYS	123		
02B		00H04600871	R-CTO.KIT CERRAD.C/LEVAS SD.	LOCK ASSEMBLY KIT	4 67 B DE X		
02C		00H04602871	R-CTO.KIT CERRD.C/LEV.SD-S.M.F	LOCK WITH KEYS	89A C FG		
03A		00H05106651	R-CTO.JUEGO CALCAS SENDA R	DECAL ASSY	1		
03B		00H05106652	R-CTO.JUEGO CALCAS SDA-R BLAN.	DECAL ASSY	2		
03C		00H05106653	R-JUEGO CALCAS SDA-R VD.TURM.	DECAL ASSY	3		
03D		00H05110651	R-JUEGO CALCAS SDA-R L.E.AMAR.	DECAL ASSY	4		
03E		00H05110653	R-JUEGO CALCAS SDA-R L.E.R-K.	DECAL ASSY	7		
03F		00H05110652	R-JUEGO CALCAS SDA-R L.E.V.PR.	DECAL ASSY	6		
03G		00H05112651	R-JUEGO CALCAS SDA-S.M.ROJO K	DECAL ASSY	8		
03H		00H05112652	R-JUEGO CALCAS SDA-S.M.AMARILL	DECAL ASSY	9		
03I		00H05112653	R-JUEGO CALCAS SDA-S.M.VDE.PR.	DECAL ASSY	A		
03J		00H05117651	R-JUEGO CALCAS SNDA.R/98 ROJO	DECAL ASSY	B		
03K		00H05117652	R-JUEGO CALCAS SNDA.R/98 VDE.	DECAL ASSY	D		
03L		00H05117653	R-JUEGO CALCAS SNDA.R/98 AZUL	DECAL ASSY	E		
03M		00H05118651	R-JUEGO CALCAS SDA.S.M./98 R-K	DECAL ASSY	C		
03N		00H05118652	R-JUEGO CALCAS SDA.S.M./98 VDE	DECAL ASSY	F		
03P		00H05118653	R-JUEGO CALCAS SDA.S.M./98 NGR	DECAL ASSY	G		
04A		00H05203481	R-JUEGO JUNTAS SENDA R	GASKET ASSY	1234 6789ABCDEF		
05A		00H05100011	SCTO.LLAVE BUJIA SENDA-AGUA	SPARK PLUG	1234 6789ABCDEF		
06A		00D02200671	CTO.ESPEJO RETROV.-FDS/88.AUST	REAR MIRROR	1234 6789ABCDEF		
07A		00F01810411	R-LLAVE CERRADURAS.P/MEC.ST/SC	LOCK KEYS	1234 6789ABCDEF		
08A		00005551290	DESTORNILLADOR.	SCREW DRIVER	1234 6789ABCDEF		
09A		00000023080	TCA.AUTOBLOC. 8M125. DIN-982.	SELF-LOCKING NUT M8	1234 6789ABCDEF		
10A		00G00800261	CASQ.GIRO PATA CABALLETE.VAMOS	SPACER	1234 6789ABCDEF		
11A		00H06000061	R-CTO.KIT ESTRIB.DR.PASAJ.SD-R	FOOT REST,KIT LH	B DE		
12A		00H06000071	R-CTO.KIT ESTRIB.IZ.PASAJ.SD-R	FOOT REST,KIT LH	B DE		



ACCESORIOS ESPECIALES
SPECIALS TOOLS

MODELOS/MODELS:
SENDA R
SENDA S.M.

Lám.
Diag.
26



Figr.	Vers.	CODIGO CODE	DENOMINACION	NAME	MODELOS MODELS	Nº Motor Engine Nr.	Lám. Diagra. 26
01A		00H05400451	R-PUNZON MONT.RETENES CIGÑ.GPR	PUNCH FIXING CRANKCASE SEAL	1234 6789ABCDEFG		
02A		00H05400581	R-UTIL MONTAR RETEN EJE ARRQ.	TOOLS FOR FIXING IN STARTING	1234 6789ABCDEFG		
03A		00H05401561	R-UTIL MONT.RETEN EJE SELECT.	TOOL FOR FIXING SEAL IN SELEC	1234 6789ABCDEFG		
04A		00H05300041	R-CTO.UTIL.FIJ.CAMPNA EMBG.GPR	CLUTCH HOUSING HOLDER	1234 6789ABCDEFG		
05A		00H05600251	R-UTIL MONT.CASQ.AGUJ.PIÑ.INTM	TOOLS FOR FIXING BUSHING NEED	1234 6789ABCDEFG		
06A		00H05600241	R-UTIL MONT.CASQ.AGUJ.EJE 1P.	TOOLS FOR FIXING BUSHING NEED	1234 6789ABCDEFG		
07A		00H05300151	R-CTO.UTIL ABRIR MOTOR GPR-75	TOOLS OPEN ENGINE ASSY	1234 6789ABCDEFG		
08A		00H05300841	CASQ.GUIA RETEN CIGÑ.GPR-75.	BUSHING GUIDE CRANKCASE SEAL	1234 6789ABCDEFG		
09A		00H05600351	PIVOTE GUIA RET.EJE SECUND.GPR	PIVOT GUIDE SECONDARY AXEL,S	1234 6789ABCDEFG		
10A		00H05600341	PIVOTE GUIA RET.EJE ARRQ.GPR75	PIVOT GUIDE STARTING AXEL,S S	1234 6789ABCDEFG		
11A		00H05600331	PIVOTE GUIA RET.EJE DESEMB.GPR	PIVOT GUIDE SEAL OF CLUTCH RE	1234 6789ABCDEFG		
12A		00H05600261	PIVOTE GUIA RET.EJE BOMBA AGUA	PIVOT GUIDE SEAL WATER PUMP	1234 6789ABCDEFG		
13A		00F05300021	EXTRAC.VOLTE.ELECTR.DCT.SCO-50	FLYWHEEL ELECTR. EXTRACTOR	1234 6789ABCDEFG		
14A		00G05300011	CTO.UTIL DESMTAR.VOLTE.ELECTR.	MAGNETO EXTRACTOR TOOL	1234 6789ABCDEFG		

CODIGO CODE	LAM. DIAGR.	FIG.	VER- SION	CODIGO CODE	LAM. DIAGR.	FIG.	VER- SION	CODIGO CODE	LAM. DIAGR.	FIG.	VER- SION	CODIGO CODE	LAM. DIAGR.	FIG.	VER- SION
00A00900531	012	18A		00D01200171	008	25A		00D01520411	004	14A		00E02000651	003	56A	
00A00900531	020	19A		00D01200171	003	66A		00D01540452	001	02A		00E02500231	013	13A	
00A00900531	007	21B		00D01200811	009	23A		00D01540453	001	02B		00E03300271	020	05A	
00A00900531	008	22A		00D01200831	009	21A	01	00D01540455	002	24A		00F00400131	005	02A	
00A01020971	008	20A		00D01200831	011	22A		00D01550101	001	08A		00F00400771	005	29A	
00A03000121	018	08A		00D01200991	009	22A		00D01550101	002	27A		00F00900531	008	21A	
00A03000131	018	27A		00D01201091	009	11A		00D01810771	004	26A		00F00902291	007	06A	02
00A03000421	018	07A		00D01210191	009	19A		00D02100611	007	27A		00F00930071	007	15A	
00B03510142	023	08A		00D01210221	009	20A		00D02100621	007	02A		00F00930091	007	04A	
00D00200741	003	16A		00D01210221	011	23A		00D02100901	007	29A		00F01001311	008	27B	
00D00200761	003	53A		00D01210311	010	03A		00D02110191	007	07A		00F01010911	008	39A	
00D00310591	023	02A		00D01210311	009	17A		00D02120811	007	10A		00F01200191	009	19A	01
00D00710264	006	35A		00D01210831	009	21A		00D02120861	007	08A		00F01201021	010	16A	
00D00900351	007	19A		00D01260012	009	08A		00D02180081	007	05A		00F01500381	012	13A	
00D00900531	008	23A		00D01260021	009	07A		00D02200426	002	14A		00F01703301	008	41B	
00D00910015	007	01A		00D01300191	004	06A		00D02200446	002	15A		00F01703391	008	40B	
00D00940291	007	16A		00D01301401	010	10A		00D02200671	025	06A		00F01800081	006	40A	
00D01000701	007	24A		00D01301401	009	11B		00D02600552	014	12A		00F01810411	025	07A	
00D01070341	008	24A		00D01303401	010	10B		00D02600631	012	07A		00F02201591	008	31B	
00D01100071	011	15A		00D01320091	010	06A		00D02600631	014	15A		00F03000903	018	29A	
00D01100181	011	12A		00D01320191	009	06A		00D02600631	004	22A		00F03200421	019	04A	01
00D01100201	011	04A		00D01500021	012	04A		00D02820101	016	02A		00F03200481	019	07A	
00D01100211	011	08A		00D01500471	024	29A		00D02910131	017	04A		00F03300241	020	08A	
00D01100461	011	13A		00D01500551	024	28A		00D03210491	005	09A		00F03300401	020	18A	
00D01100631	011	05A		00D01501371	006	06A		00D03700131	005	12A		00F03300731	020	06A	
00D01100641	011	07A		00D01501371	024	11A		00D04000291	016	32A		00F03310021	020	16A	
00D01100651	011	06A		00D01501371	005	18A		00D04700121	009	28A	01	00F03310741	020	04A	
00D01110171	011	19A		00D01501371	004	19A		00D05700141	008	12A		00F03710131	022	05A	
00D01130011	011	16A		00D01501371	011	29A		00D05800251	007	26A		00F03710131	005	37A	
00D01130081	011	01A		00D01510501	001	07A		00D05900171	002	29A		00F03710241	022	02A	
00D01200171	006	03A		00D01510501	002	26A		00D05900181	002	28A		00F04301941	006	33A	
00D01200171	024	10A		00D01520092	001	03A		00E01020131	008	09A		00F04402561	002	30A	
00D01200171	005	17A		00D01520093	001	03B		00E01020371	008	19A		00F04600012	021	08A	
00D01200171	004	18A		00D01520095	002	25A		00E01600741	012	06A		00F04601371	005	20A	

CODIGO CODE	LAM. DIAGR.	FIG.	VER- SION	CODIGO CODE	LAM. DIAGR.	FIG.	VER- SION	CODIGO CODE	LAM. DIAGR.	FIG.	VER- SION	CODIGO CODE	LAM. DIAGR.	FIG.	VER- SION
00F04700111	010	17A		00G04200361	021	11A		00H00202171	003	42A		00H00501761	006	32A	
00F05300021	026	13A		00G04700131	009	29A		00H00202191	003	44A		00H00502651	006	16D	
00G00400181	005	03A		00G04700131	011	30A		00H00202271	003	28A		00H00502652	006	16F	
00G00601141	005	28B		00G04700141	009	20B		00H00202881	003	33A		00H00502653	006	16E	
00G00700261	006	09A		00G04700141	011	23B		00H00205011	003	06A		00H00503191	006	36A	
00G00800261	025	10A		00G05300011	026	14A		00H00206091	003	02A		00H00503192	006	36C	
00G00801071	001	12B		00G05700601	008	47A		00H00207121	003	18A		00H00503193	006	36B	
00G00901201	007	06A	01	00G06300671	006	31A		00H00300331	004	23A		00H00503221	006	14A	
00G01000101	008	05A	01	00G06300671	006	48A		00H00300971	004	01A		00H00503222	006	14B	
00G01500571	006	42A		00G06300681	001	25A		00H00301331	004	23B		00H00503223	006	14C	
00G01700401	008	38A		00H00101411	002	07A		00H00301401	004	05A		00H00503641	006	15A	
00G01701091	008	46A		00H00103341	002	01A		00H00301971	004	01B		00H00503642	006	15B	
00G01702892	008	42B		00H00103342	002	01B		00H00303971	004	01C		00H00503643	006	15C	
00G01702902	008	06B		00H00103343	002	01C		00H00400011	005	01A		00H00503651	006	16G	
00G02102081	007	05A	02	00H00103673	002	22A		00H00400051	005	31A		00H00503652	006	16H	
00G03200061	019	09A		00H00103703	002	21A		00H00400501	022	04A		00H00503653	006	16I	
00G03200101	019	19A		00H00200061	003	59A		00H00400501	005	36A		00H00504641	006	15D	
00G03200511	019	11A		00H00200151	003	19A		00H00401501	024	23A		00H00504651	006	16J	
00G03200541	019	15A		00H00200181	003	25A		00H00402321	005	05A		00H00504652	006	16L	
00G03200551	019	16A		00H00200201	003	26A		00H00402681	005	15A		00H00504653	006	16K	
00G03200721	019	17A		00H00200261	003	20A		00H00402682	005	15B		00H00505191	006	13D	
00G03200731	019	18A		00H00200331	003	22A		00H00402682	005	15F		00H00505192	006	13E	
00G03201051	019	22A		00H00200441	003	35A		00H00402683	005	15C		00H00505193	006	13F	
00G03201071	019	10A		00H00200571	003	34A		00H00402684	005	15D		00H00505221	006	14D	
00G03201091	019	26A		00H00200581	003	41A		00H00402685	005	15E		00H00505651	006	16M	
00G03201121	019	23A		00H00200631	003	29A		00H00402686	005	15G		00H00505652	006	16N	
00G03201281	019	08A		00H00201081	003	12A		00H00403711	005	14G		00H00506191	006	13G	
00G03201371	019	12A		00H00201111	003	52A		00H00500211	006	26A		00H00506192	006	13I	
00G03201431	019	03A		00H00201231	003	21A		00H00501191	006	13A		00H00506193	006	13H	
00G03500011	023	03A		00H00201471	003	24A		00H00501192	006	13B		00H00506691	006	12A	
00G03500341	004	21A		00H00201521	003	27A		00H00501193	006	13C		00H00506692	006	12B	
00G04100131	019	20A		00H00201601	003	30A		00H00501651	006	16A		00H00506693	006	12C	
00G04100741	019	21A		00H00201921	003	43A		00H00501652	006	16B		00H00506701	006	17A	
00G04100771	019	25A		00H00202101	003	15A		00H00501653	006	16C		00H00506702	006	17B	

CODIGO CODE	LAM. DIAGR.	FIG.	VER- SION	CODIGO CODE	LAM. DIAGR.	FIG.	VER- SION	CODIGO CODE	LAM. DIAGR.	FIG.	VER- SION	CODIGO CODE	LAM. DIAGR.	FIG.	VER- SION
00H00506703	006	17C		00H00600681	002	23A		00H00701121	006	04A		00H01004011	008	04B	
00H00507191	006	13J		00H00600991	002	04A		00H00701381	006	30A		00H01004301	008	01A	
00H00507192	006	13K		00H00601013	005	11A		00H00704341	006	27A		00H01011011	008	04A	01
00H00507641	006	15E		00H00601015	005	11B		00H00705021	006	01A		00H01013301	008	01B	
00H00507642	006	15F		00H00601016	005	11C		00H00705022	006	01B		00H01100461	011	13B	
00H00507643	006	15G		00H00601141	002	05B		00H00705023	006	01C		00H01100731	011	32A	
00H00508221	006	14E		00H00602141	002	05A		00H00705024	006	01D		00H01101581	011	21A	
00H00508222	006	14F		00H00602601	006	08A		00H00705025	006	01E		00H01101611	011	14A	
00H00508223	006	14G		00H00602602	006	08B		00H00705026	006	01K		00H01102581	011	21B	
00H00509641	006	15H		00H00602603	006	08C		00H00706024	006	01H		00H01201271	009	02A	
00H00509691	006	12D		00H00602611	006	08D		00H00706025	006	01I		00H01202191	009	19B	
00H00509692	006	12E		00H00602611	006	49A		00H00709021	006	01G		00H01203061	009	09A	
00H00509693	006	12F		00H00602612	006	08E		00H00709341	006	27C		00H01203101	009	13A	
00H00509701	006	17D		00H00602612	006	49B		00H00801081	001	10A		00H01203111	009	14A	
00H00509702	006	17E		00H00602613	006	08F		00H00801261	001	11A		00H01204081	009	12A	
00H00509703	006	17F		00H00602613	006	49C		00H00806011	001	09A		00H01204082	009	12B	
00H00510221	006	14H		00H00603011	005	11D		00H00811011	001	09B		00H01205021	009	07B	
00H00511691	006	12G		00H00603012	005	11E		00H00900521	007	23A		00H01205061	009	09B	
00H00511701	006	17G		00H00603013	005	11F		00H00900531	007	21A		00H01205111	009	14B	
00H00512691	006	12H		00H00603014	005	11H		00H00901201	007	06A		00H01207081	009	12C	
00H00512701	006	17H		00H00603161	006	07F		00H00902301	007	17A		00H01300811	010	11A	
00H00513691	006	12I		00H00603162	006	07G		00H00903171	007	03B		00H01301181	010	04A	
00H00513701	006	17I		00H00603164	006	07D		00H00906171	007	03A		00H01301201	010	02A	
00H00515691	006	12J		00H00603165	006	07E		00H00906751	007	11A		00H01301291	010	28A	
00H00515701	006	17J		00H00603166	006	07H		00H00907751	007	11B		00H01301501	010	19A	
00H00516691	006	12K		00H00603601	006	38A		00H00908751	007	11C		00H01301531	010	16A	01
00H00516701	006	17K		00H00603602	006	38B		00H01000131	008	09B		00H01301691	010	20A	
00H00517691	006	12L		00H00603603	006	38C		00H01000141	007	13B		00H01301731	010	19B	
00H00517701	006	17L		00H00604642	006	07B		00H01001101	008	05A		00H01301822	010	14A	
00H00518691	006	12M		00H00605014	005	11I		00H01001311	008	27A		00H01301831	009	30A	
00H00518701	006	17M		00H00605641	006	07A		00H01001321	008	18A		00H01301831	011	33A	
00H00519691	006	12N		00H00605642	006	07C		00H01001841	008	13A		00H01302051	010	09A	
00H00519701	006	17N		00H00606011	005	11G		00H01002841	008	13B		00H01302091	010	06B	
00H00600181	002	03A		00H00700341	006	27B		00H01003141	007	13A		00H01302171	010	11A	01

CODIGO CODE	LAM. DIAGR.	FIG.	VER- SION	CODIGO CODE	LAM. DIAGR.	FIG.	VER- SION	CODIGO CODE	LAM. DIAGR.	FIG.	VER- SION	CODIGO CODE	LAM. DIAGR.	FIG.	VER- SION
00H01302291	010	28B		00H01503731	005	19A		00H01700101	008	06A		00H02003711	003	01A	
00H01302351	010	24A		00H01503732	005	19B		00H01702071	008	42A		00H02003712	003	01B	
00H01302352	010	24B		00H01503733	005	19C		00H01702311	008	41A		00H02003713	003	01C	
00H01302531	010	16B		00H01504221	005	14A		00H01704021	008	40A		00H02005031	003	48A	
00H01303181	010	04A	01	00H01504222	005	14B		00H01800361	008	08B		00H02005041	003	47A	
00H01303361	009	13B		00H01504223	005	14C		00H01800541	005	07A		00H02013711	003	01D	
00H01303691	010	20B		00H01504321	008	03D		00H01800721	004	24A		00H02100191	007	07A	01
00H01304021	010	15A		00H01504322	008	03F		00H01800811	004	31A		00H02100861	007	08A	01
00H01304081	010	14B		00H01504323	008	03E		00H01801291	004	25A		00H02101011	007	18A	
00H01304321	010	23A		00H01505181	004	16B		00H01801331	004	09A		00H02101081	007	05A	01
00H01304361	010	22A		00H01505221	005	14F		00H01801721	004	24B		00H02101811	007	10B	
00H01305031	010	15A	01	00H01505224	005	14D		00H01801771	001	15A		00H02200591	007	20A	
00H01305361	010	22B		00H01505225	005	14E		00H01801791	004	33A		00H02200591	003	61A	
00H01306321	010	23B		00H01505226	005	14H		00H01802291	004	25B		00H02202591	008	31A	
00H01306351	010	24C		00H01505321	008	03G		00H01802781	001	16A		00H02202591	006	37A	
00H01500501	001	07B		00H01505322	008	03H		00H01803331	004	09B		00H02203371	008	02A	
00H01500811	011	31A		00H01505323	008	03I		00H01803391	021	09A		00H02203372	008	02B	
00H01500822	006	29A		00H01509321	008	03J		00H01803771	004	26B		00H02203373	008	02C	
00H01501092	001	03C		00H01510321	008	03K		00H01805391	021	09B		00H02204591	003	13D	
00H01501094	001	03D		00H01510322	008	03L		00H01811101	001	21A		00H02205371	008	02D	
00H01501101	001	08B		00H01510323	008	03M		00H01830101	001	21B		00H02205372	008	02E	
00H01501181	004	16A		00H01600031	012	17A		00H01908601	001	01A		00H02205373	008	02F	
00H01501192	004	10A		00H01600911	012	03A		00H01908602	001	01B		00H02206371	008	02G	
00H01501212	010	25A		00H01601021	012	10A	01	00H01915601	001	01C		00H02206372	008	02H	
00H01501452	001	02C		00H01601021	012	10B	01	00H01932601	001	01D		00H02206373	008	02I	
00H01501454	001	02D		00H01601231	012	01A		00H01932602	001	01F		00H02209371	008	02J	
00H01501831	012	11A		00H01602231	012	01B		00H01946601	001	01E		00H02209372	008	02K	
00H01502051	005	30A		00H01603051	012	12B		00H02000661	003	55A		00H02209373	008	02L	
00H01502201	010	07A		00H01605051	012	12A		00H02000861	003	32A		00H02230371	008	02M	
00H01502301	006	39A		00H01605051	012	12B	01	00H02000871	003	46A		00H02240371	008	02N	
00H01503192	004	10A	01	00H01606011	012	09B		00H02000881	003	23A		00H02250371	008	02P	
00H01503321	008	03A		00H01607011	012	09A	01	00H02001541	003	38A		00H02300511	008	34A	
00H01503322	008	03B		00H01607051	012	12C		00H02001821	003	45A		00H02301381	007	14B	
00H01503323	008	03C		00H01610381	003	69A		00H02001831	003	36A		00H02301441	024	33A	

CODIGO CODE	LAM. DIAGR.	FIG.	VER- SION	CODIGO CODE	LAM. DIAGR.	FIG.	VER- SION	CODIGO CODE	LAM. DIAGR.	FIG.	VER- SION	CODIGO CODE	LAM. DIAGR.	FIG.	VER- SION
00H02301501	008	11A		00H02600321	014	22A		00H02810421	016	23A		00H03202231	019	13A	
00H02301511	008	34B		00H02600341	014	19A		00H02810561	016	16A		00H03202261	005	32A	
00H02302081	008	04A		00H02600401	014	28A		00H02810631	016	29A		00H03202431	019	03A	01
00H02302381	007	14A		00H02600551	014	10A		00H02810741	016	30A		00H03203421	019	04A	
00H02302441	024	33B		00H02600651	014	27A		00H02820211	016	07A		00H03203711	019	14A	
00H02302501	008	11A	01	00H02601011	014	11A		00H02820371	016	22A		00H03205031	019	05A	
00H02401281	010	18A	01	00H02601161	014	08A	01	00H02820561	016	17A		00H03211011	019	01A	
00H02403271	010	01A		00H02601381	014	02A		00H02820651	016	26A		00H03300221	020	07A	
00H02403272	010	01B		00H02610311	014	18A		00H02820661	016	37A		00H03300701	020	02A	
00H02412271	010	01C		00H02700151	015	01A		00H02840371	016	22B		00H03301011	020	01A	
00H02413272	010	01D		00H02700231	015	03A		00H02900011	017	12A		00H03301121	020	15A	
00H02500021	013	07A		00H02700251	015	09A		00H02900041	017	10A		00H03330171	020	03A	
00H02500041	013	08A		00H02700441	015	04A		00H02900091	017	06A		00H03401321	021	03A	
00H02500061	018	20B		00H02700451	015	05A		00H02900271	017	11A		00H03407081	021	01A	
00H02500271	001	18A		00H02700491	015	06A		00H02900281	017	07A		00H03413411	021	02A	
00H02500301	013	11A		00H02701761	015	10A		00H02900421	017	13A		00H03415411	021	02B	
00H02500811	018	28A		00H02800181	016	11A		00H02900761	017	02A		00H03417081	021	01B	
00H02501021	013	07A	01	00H02800241	016	34A		00H02901441	017	08A		00H03500061	023	09A	
00H02501111	013	03A		00H02800251	016	13A		00H02901551	017	09A		00H03500101	023	04A	
00H02502141	013	09A		00H02800401	016	19A		00H03000031	018	02A		00H03500181	023	11A	
00H02502641	018	21A		00H02800561	016	15A		00H03000081	018	14A		00H03500521	023	01A	
00H02503061	018	20A		00H02800801	016	28A		00H03000141	018	05A		00H03500771	023	06A	
00H02505011	013	06A		00H02800881	016	27A		00H03000242	018	06A		00H03500961	023	10A	
00H02510641	018	21A	01	00H02800891	016	36A		00H03000271	001	26A		00H03501211	023	12A	
00H02512091	013	02A		00H02800901	016	04A		00H03000831	018	10A		00H03603521	014	01A	
00H02522091	013	02B		00H02801131	016	06A		00H03002882	018	04B		00H03700041	022	12A	
00H02532091	013	02C		00H02801221	016	08A		00H03003632	018	01B		00H03700101	022	07A	
00H02600081	014	26A		00H02801291	016	01A		00H03003882	018	04A		00H03700121	022	16A	
00H02600111	014	03A		00H02801481	016	10A		00H03004632	018	01A		00H03700131	011	09A	
00H02600151	014	07A		00H02802861	016	31A		00H03010361	018	03A		00H03700141	022	23A	
00H02600161	014	08A		00H02810161	016	35A		00H03200271	005	10A		00H03700211	022	06A	
00H02600181	014	13A		00H02810181	016	18A		00H03201201	019	24A		00H03700211	022	14A	
00H02600211	014	14A		00H02810231	016	09A		00H03201211	019	02A		00H03700291	018	11A	
00H02600271	014	09A		00H02810411	016	21A		00H03201251	005	08A		00H03700311	022	22A	

CODIGO CODE	LAM. DIAGR.	FIG.	VER- SION	CODIGO CODE	LAM. DIAGR.	FIG.	VER- SION	CODIGO CODE	LAM. DIAGR.	FIG.	VER- SION	CODIGO CODE	LAM. DIAGR.	FIG.	VER- SION
00H03700341	022	26A		00H03801091	024	42A		00H04408801	006	18D		00H04602313	003	13C	
00H03700351	022	15A		00H03801501	024	02A		00H04408802	006	18E		00H04602561	006	23E	
00H03700461	018	18A		00H03801731	024	41A		00H04408803	006	18F		00H04602871	025	02C	
00H03701012	022	27A		00H03801751	024	43A		00H04408821	006	20I		00H04603091	006	46A	
00H03701021	022	13A		00H03803011	024	01A	01	00H04408822	006	20J		00H04603092	006	46B	
00H03701051	022	03A		00H03803301	024	07A		00H04408823	006	20K		00H04603093	006	46C	
00H03701081	022	01A		00H03810211	024	18A		00H04408831	006	21H		00H04603101	006	47A	
00H03701111	022	21A		00H03810421	024	32A		00H04409801	006	18G		00H04603102	006	47B	
00H03701411	022	17A		00H04103181	019	06A		00H04409831	006	21I		00H04603103	006	47C	
00H03800051	024	39A		00H04301181	005	04A		00H04410801	006	18H		00H04603171	003	10A	
00H03800091	024	37A		00H04305651	012	08A		00H04410831	006	21J		00H04603172	003	10B	
00H03800132	024	12A		00H04306651	012	08C		00H04410832	006	21K		00H04603173	003	10C	
00H03800141	024	15A		00H04307651	012	08A	01	00H04410833	006	21L		00H04604091	006	46D	
00H03800151	024	17A		00H04308031	012	09A		00H04410833	006	21L	01	00H04604092	006	46F	
00H03800161	024	21A		00H04308651	012	08B		00H04410834	006	21M		00H04604093	006	46E	
00H03800181	014	26A	01	00H04400751	006	28A		00H04410835	006	21N		00H04604101	006	47D	
00H03800211	024	40A		00H04402821	006	20A		00H04410836	006	21P		00H04604102	006	47F	
00H03800231	024	46A		00H04402822	006	20B		00H04411801	006	18I		00H04604103	006	47E	
00H03800381	022	11A		00H04402823	006	20C		00H04412801	006	18J		00H04604171	003	10D	
00H03800381	024	20A		00H04403821	006	20D		00H04412802	006	18K		00H04605091	006	46G	
00H03800431	024	31A		00H04404801	006	18A		00H04412803	006	18L		00H04605092	006	46H	
00H03800441	014	20A		00H04404802	006	18B		00H04412804	006	18M		00H04605093	006	46I	
00H03800441	024	34A		00H04404803	006	18C		00H04412805	006	18N		00H04605101	006	47G	
00H03800451	018	30A		00H04404821	006	20E		00H04412806	006	18P		00H04605102	006	47H	
00H03800451	024	44A		00H04405831	006	21A		00H04600561	006	23A		00H04605103	006	47I	
00H03800471	024	03A		00H04405832	006	21B		00H04600562	006	23B		00H04605171	003	64A	
00H03800571	005	34A		00H04405833	006	21C		00H04600563	006	23C		00H04605561	006	23F	
00H03800751	024	30A		00H04406831	006	21D		00H04600871	025	02B		00H04605562	006	23H	
00H03801011	024	01A		00H04406832	006	21E		00H04601241	003	11A		00H04605563	006	23G	
00H03801021	024	36A		00H04406833	006	21F		00H04601561	006	23D		00H04611141	005	33A	
00H03801031	024	04A		00H04407821	006	20F		00H04601841	008	08A		00H04621141	005	33B	
00H03801032	024	04B		00H04407822	006	20H		00H04601871	025	02A		00H04700121	009	28A	
00H03801041	024	06A		00H04407823	006	20G		00H04602311	003	13A		00H04701121	011	27A	
00H03801042	024	06B		00H04407831	006	21G		00H04602312	003	13B		00H04704081	009	01A	

CODIGO CODE	LAM. DIAGR.	FIG.	VER- SION	CODIGO CODE	LAM. DIAGR.	FIG.	VER- SION	CODIGO CODE	LAM. DIAGR.	FIG.	VER- SION	CODIGO CODE	LAM. DIAGR.	FIG.	VER- SION
00H04704082	009	01B		00H04907573	006	22P		00H05600331	026	11A		00000002510	024	05A	
00H04706081	009	01D		00H05000281	014	04A		00H05600341	026	10A		00000002515	020	11A	
00H04707081	009	01C		00H05000281	022	09A		00H05600351	026	09A		00000002515	008	14A	
00H04802051	024	25A		00H05000281	024	19A		00H05700481	012	14A		00000002615	024	38A	
00H04900231	006	09B		00H05001011	013	16A		00H05700531	008	35A		00000002625	017	20A	
00H04902561	006	19A		00H05007121	013	01A		00H05700541	008	36A		00000002816	021	05A	
00H04902562	006	19B		00H05100011	025	05A		00H05901581	006	11A		00000002830	010	18A	
00H04902563	006	19C		00H05101561	025	01A		00H06000061	025	11A		00000002830	009	24A	
00H04902571	006	22A		00H05101741	002	06A		00H06000071	025	12A		00000002840	001	04A	
00H04902572	006	22B		00H05106651	025	03A		00H06100011	002	02A		00000002840	002	19A	
00H04902573	006	22C		00H05106652	025	03B		00H06100101	006	10A		00000002840	011	25A	
00H04903561	006	19D		00H05106653	025	03C		00H06100102	006	10B		00000002845	003	03A	
00H04903562	006	19F		00H05110651	025	03D		00H06100103	006	10C		00000002845	002	16A	
00H04903563	006	19E		00H05110652	025	03F		00H06100104	006	10D		00000002850	003	39A	
00H04903571	006	22D		00H05110653	025	03E		00H06100105	006	10E		00000002855	009	27A	
00H04903572	006	22F		00H05112651	025	03G		00H06100106	006	10F		00000002860	001	19A	
00H04903573	006	22E		00H05112652	025	03H		00H06200061	005	06A		00000004125	003	31A	
00H04904561	006	19G		00H05112653	025	03I		00H06200121	005	28A		00000004510	022	25A	
00H04904562	006	19H		00H05117651	025	03J		00H06300171	001	22A		00000004512	016	24A	
00H04904563	006	19I		00H05117652	025	03K		00H06300281	008	29A		00000004512	024	35A	
00H04904571	006	22G		00H05117653	025	03L		00H06300771	005	21A		00000004515	024	13A	
00H04904572	006	22H		00H05118651	025	03M		00H06300841	004	36A		00000004515	022	28A	
00H04904573	006	22I		00H05118652	025	03N		00H06301751	005	24A		00000004610	018	12A	
00H04906561	006	19J		00H05118653	025	03P		00H06301761	005	25A		00000004612	008	45A	
00H04906562	006	19L		00H05203481	025	04A		00H06302771	006	34A		00000004620	021	04A	
00H04906563	006	19K		00H05300041	026	04A		00H06700021	012	10A		00000004620	007	30A	
00H04906571	006	22J		00H05300151	026	07A		00H06701021	012	10B		00000004625	015	12A	01
00H04906572	006	22L		00H05300841	026	08A		00H06800091	006	25A		00000004625	018	22A	
00H04906573	006	22K		00H05400451	026	01A		00H06800091	006	41A		00000004630	003	07A	
00H04907561	006	19M		00H05400581	026	02A		00H06800111	008	37A		00000004630	018	19A	
00H04907562	006	19N		00H05401561	026	03A		00H06800301	008	48A		00000004635	013	18A	
00H04907563	006	19P		00H05600241	026	06A		00H06800611	003	62A		00000004635	018	23A	
00H04907571	006	22M		00H05600251	026	05A		00M03800221	024	16A		00000004640	018	24A	
00H04907572	006	22N		00H05600261	026	12A		0000A517011	008	28A		00000004650	018	26A	

CODIGO CODE	LAM. DIAGR.	FIG.	VER- SION	CODIGO CODE	LAM. DIAGR.	FIG.	VER- SION	CODIGO CODE	LAM. DIAGR.	FIG.	VER- SION	CODIGO CODE	LAM. DIAGR.	FIG.	VER- SION
00000004650	003	57A		00000031050	016	25A		00000047307	005	35A		00003125120	013	04A	
00000004820	002	20A		00000031050	004	29A		00000061040	023	07A		00003125130	013	05A	
00000004820	003	68A		00000031050	006	44A		00000061040	017	18A		00003125280	013	20A	
00000004825	003	37A		00000031050	003	51A		00000061040	003	54A		00003126260	014	06A	
00000004840	011	17A		00000031060	002	09A		00000061080	003	09A		00003127200	017	19A	
00000012420	020	17A		00000031060	023	14A		00000066060	016	33A		00003127270	015	11A	
00000012508	007	28A		00000031060	012	15A		00000326260	014	06B		00003130050	018	16A	
00000012620	024	26A		00000031060	013	19A		00001130370	018	15A		00003133230	020	09A	
00000012620	005	38A		00000031060	018	25A		00002025190	013	10A		00003133260	020	10A	
00000013510	016	05A		00000031060	010	26A		00002026020	014	25A		00003306570	001	20A	
00000013612	004	34A		00000031060	011	26A		00002027280	015	07A		00003710110	008	07A	
00000021050	020	12A		00000031060	004	35A		00002027280	014	21A		00003710120	008	10A	
00000021050	008	15A		00000031060	003	58A		00002028450	016	12A		00004053000	004	27A	
00000021050	003	50A		00000031080	001	05A		00002028550	016	14A		00004062200	014	23A	
00000021060	002	13A		00000031080	021	06A		00002028770	017	01A		00004072500	015	12A	
00000021080	003	05A		00000031080	001	14A		00002028770	015	08A		00004115000	004	11A	
00000021080	001	13B		00000031080	003	14A		00002028900	016	20A		00004154000	004	28A	
00000023051	004	30A		00000031080	002	17A		00002029050	017	15A		00004154500	022	19A	
00000023051	006	45A		00000031080	011	18A		00002030020	018	09A		00004184000	003	17A	
00000023060	002	11A		00000031080	009	25A		00002054500	003	49A		00004322460	005	22A	
00000023060	023	15A		00000031100	001	23A		00002125170	013	17A		00005010760	007	25A	
00000023060	012	16A		00000033050	022	20A		00002182000	010	08A		00005529290	017	05A	
00000023060	008	26A		00000033060	015	13A		00002212070	009	10A		00005530600	018	17A	
00000023060	010	27A		00000033060	014	24A		00002212070	010	21A		00005551290	025	08A	
00000023060	024	27A		00000033120	004	07A		00002225220	013	14A		00006309260	011	02A	
00000023080	025	09A		00000033120	010	12A		00002503230	004	04A		00006309260	007	31A	
00000023100	001	24A		00000034050	020	14A		00002503410	004	02A		00006311220	011	02B	
00000023120	004	08B		00000034050	008	17A		00002503410	010	02A	01	00006321040	011	03A	
00000023120	010	13A	01	00000036100	017	17A		00002518790	001	17A		00006321040	007	12A	
00000023120	004	15A		00000047110	022	10A		00003102070	003	60A		00006826230	014	05A	
00000031050	020	13A		00000047110	014	17A		00003102280	018	13A		00008041000	021	10A	
00000031050	024	14A		00000047111	017	03A		00003112320	009	03A		00008061500	024	09A	
00000031050	008	16A		00000047116	023	16A		00003112320	004	03A		00008061500	006	24A	
00000031050	022	24A		00000047122	017	14A		00003115420	004	12A		00008061500	003	63A	

