



SPARE PARTS BOOK



POPCORN 2003

Suggested repair time (SRT)

The SRT is used to determine the standard labor time allowed for R&R (Replace and reinstall) of parts covered by the limited warranty during the period the warranty is in affect. The SRT is based on the condition that the necessary servicing tools listed in the workshop manual are close at the hand and the work is performed by a technician with normal skill. The SRT is listed in tenth of an hour to simplify computation (e.g. 0,1 = 6 minutes).

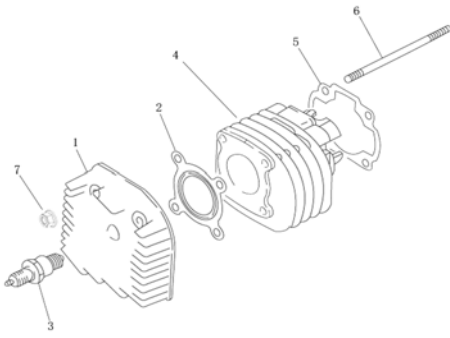
Illustration

The part illustration in the spare part book is only used for explanation and may have minor differences to the actual appearance of the part.

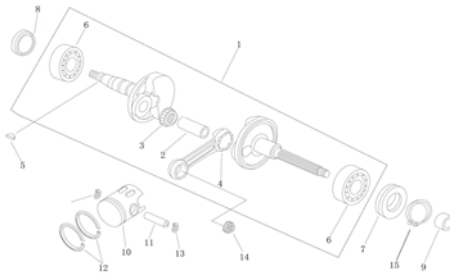
OVERVIEW ENGINE

EURO II

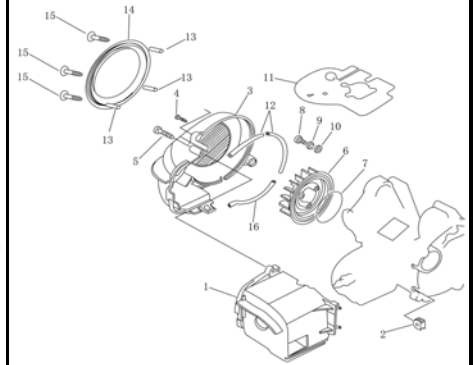
E01 CYLINDER HEAD ASSY



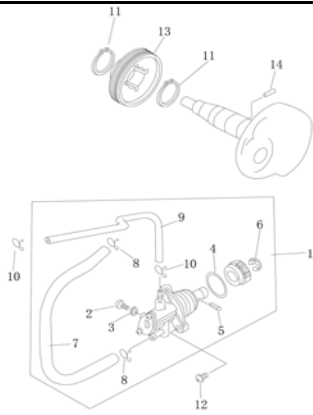
E02 PISTON CRANKSHAFT CONNECTING ASSY



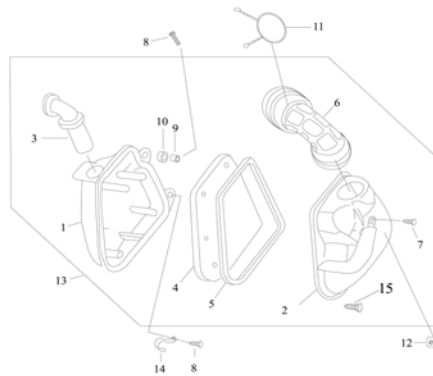
E03 AIR COOLING SYSTEM



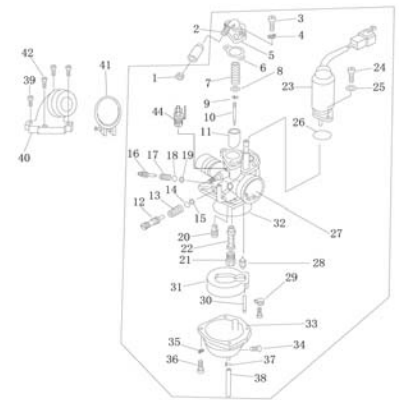
E04 OIL PUMP ASSY



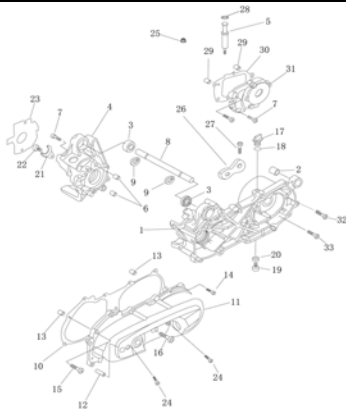
E05 AIR CLEANER



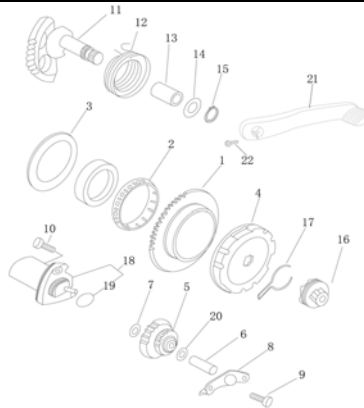
E06 CARBURETOR



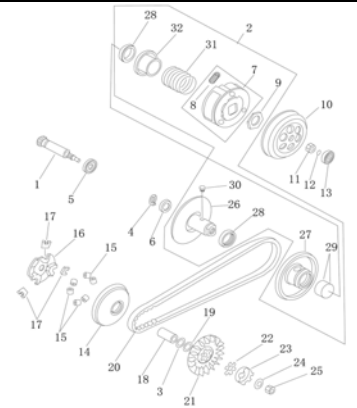
E07 CRANKCASE ASSY



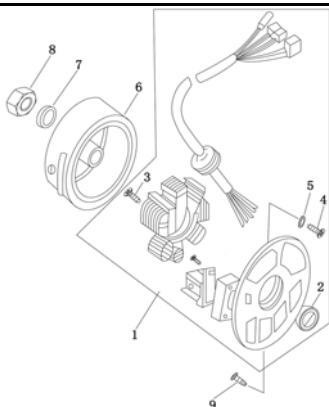
E08 KICK STARTER ASSY



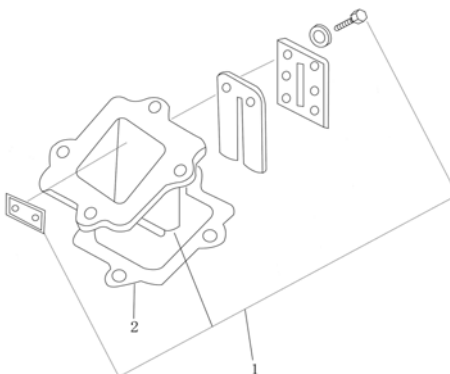
E09 CLUTCH ASSY



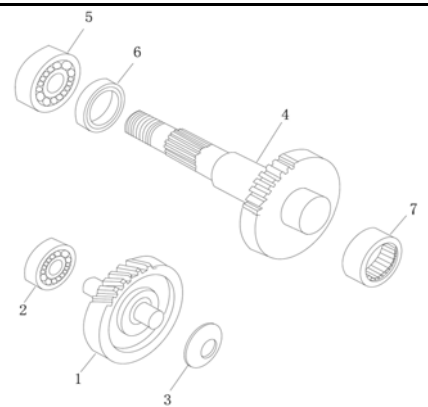
E10 MAGNETO ASSY



E11 REED VALVE ASSY



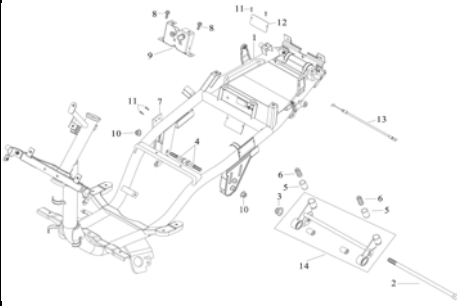
E12 TRANSMISSION SYSTEM ASSY



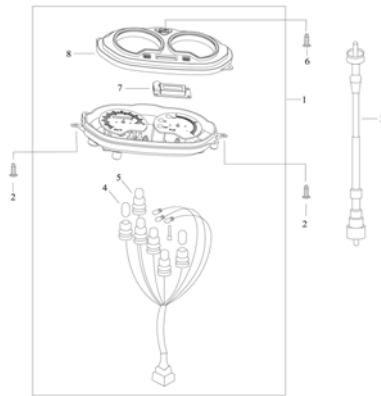
OVERVIEW FRAME

POPCORN FL EURO II

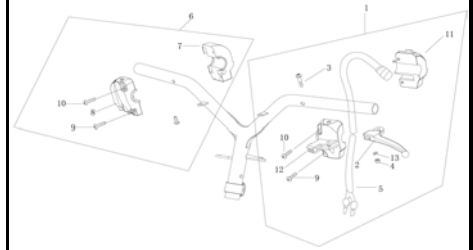
F01 FRAME BODY



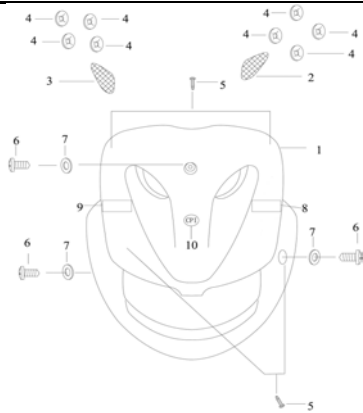
F02 INSTRUMENT PANEL



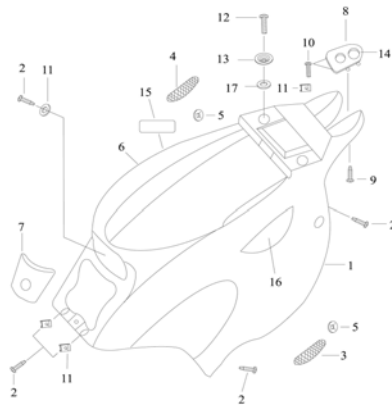
F03 LEVER HANDLE SWITCH



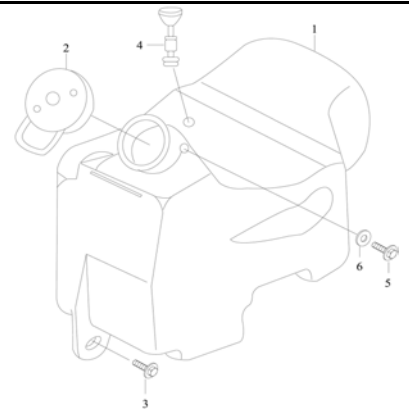
F04 FRONT COVER



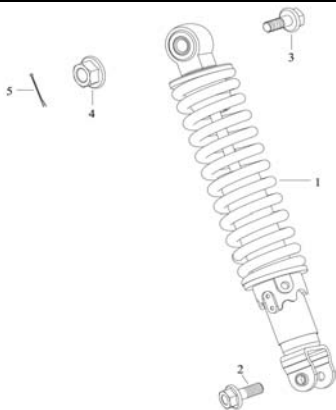
F05 SIDE COVER



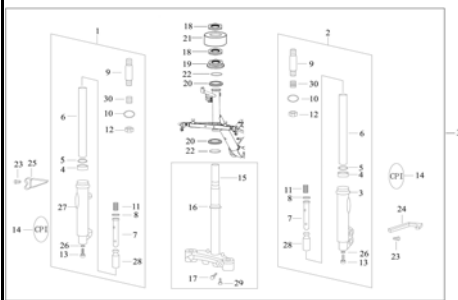
F06 OIL TANK



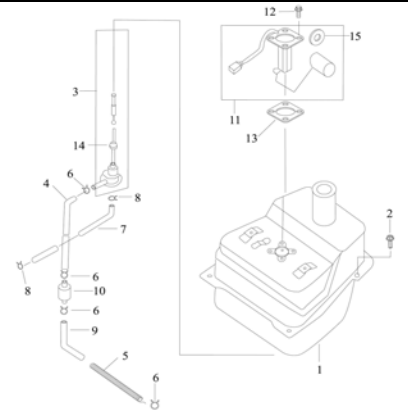
F07 REAR SUSPENSION



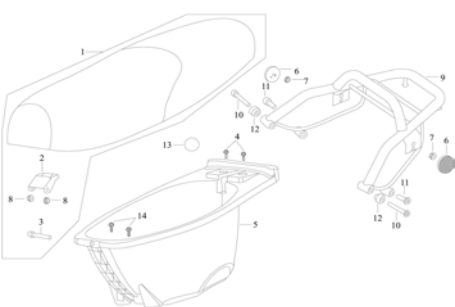
F08 FRONT FORK ASSY



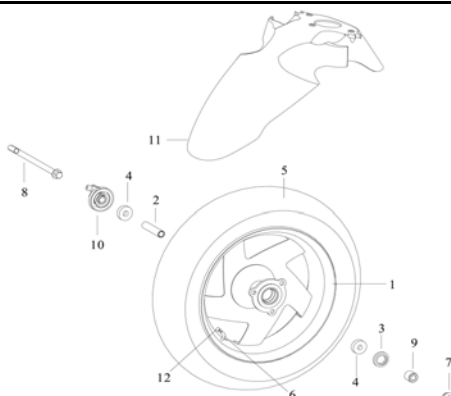
F09 FUEL TANK



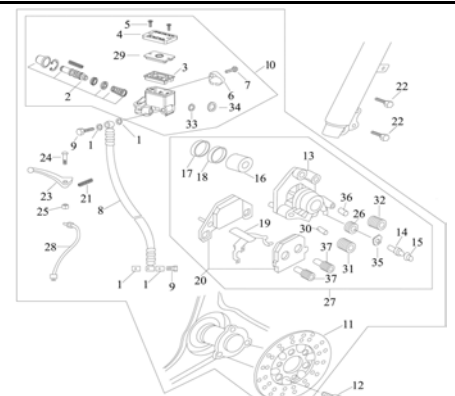
F10 SEAT ASSY



F11 FRONT WHEEL



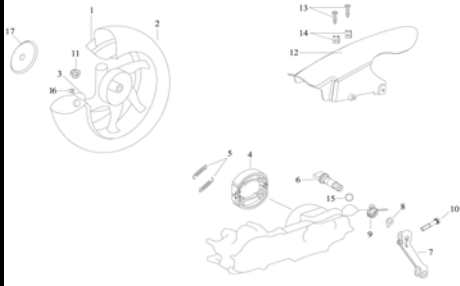
F12 FRONT BRAKE ASSY



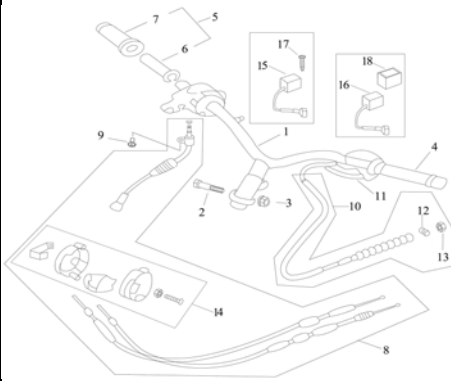
OVERVIEW FRAME

POPCORN FL EURO II

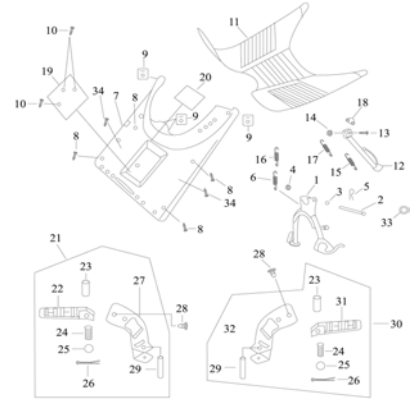
F13 REAR WHEEL



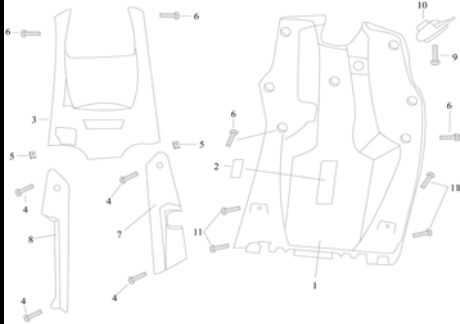
F14 CABLE STEERING HANDLE



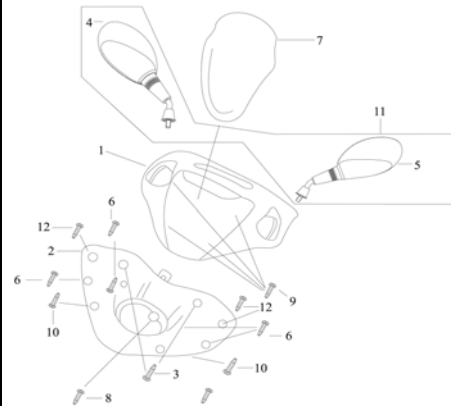
F15 STAND FOOTREST



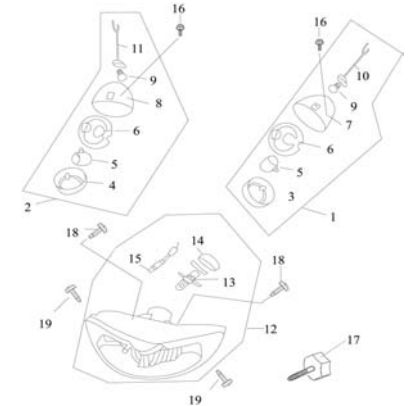
F16 LEG SHIELD



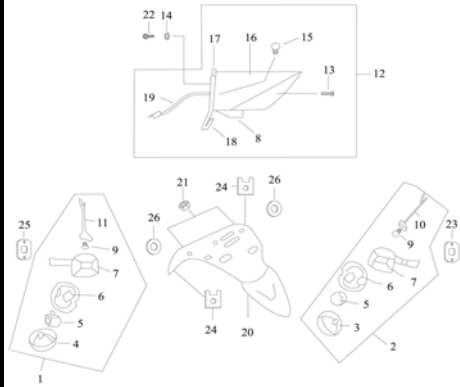
F17 COWLING



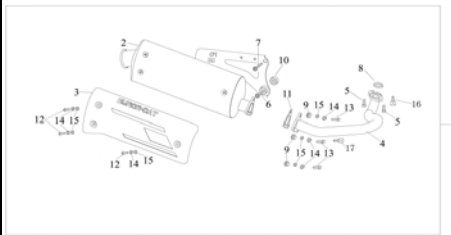
F18 FRONT FLASHER LIGHT - HEAD LIGHT



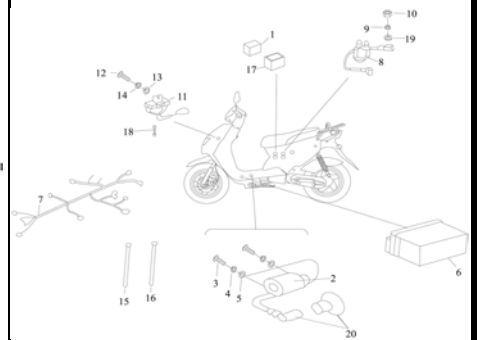
F19 TAIL LIGHT



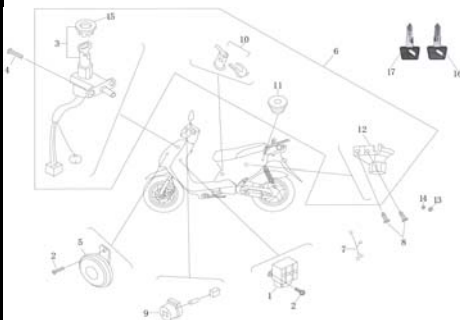
F20 MUFFLER ASSY



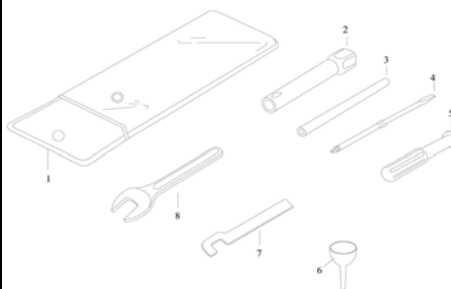
F21 ELECTRICAL EQUIPMENT I



F22 ELECTRICAL EQUIPMENT II



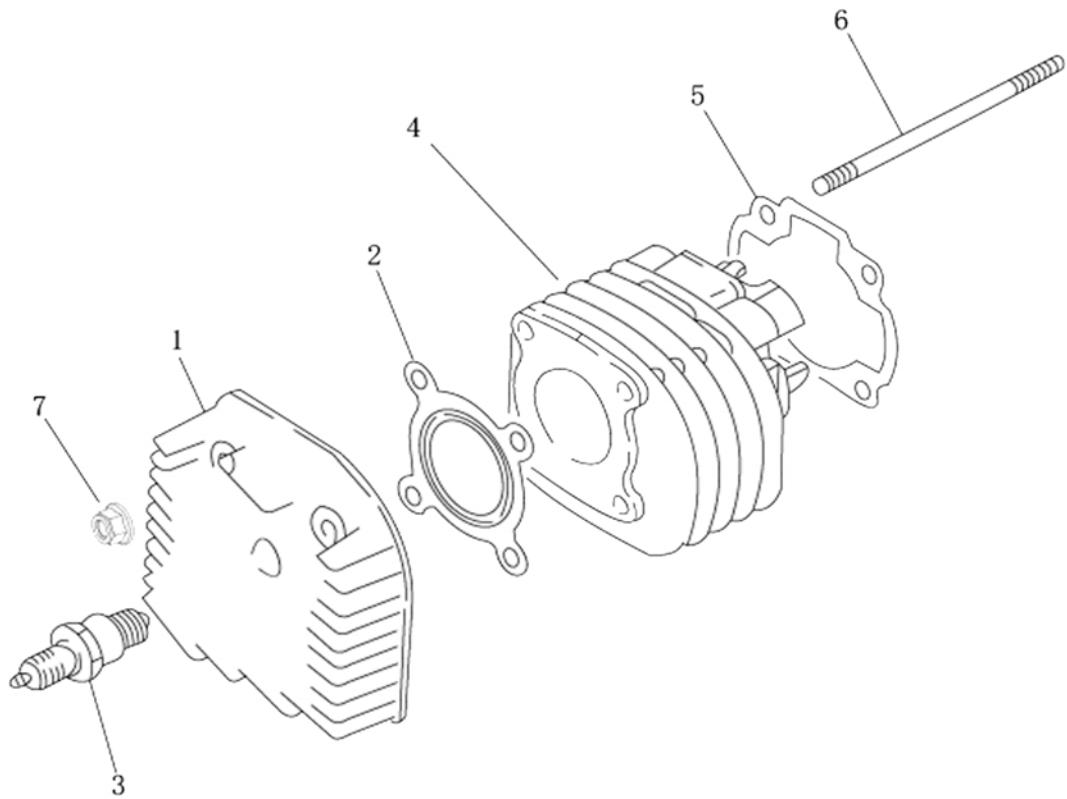
F23 TOOLS ASSY



E01

CYLINDER HEAD ASSY

EURO II

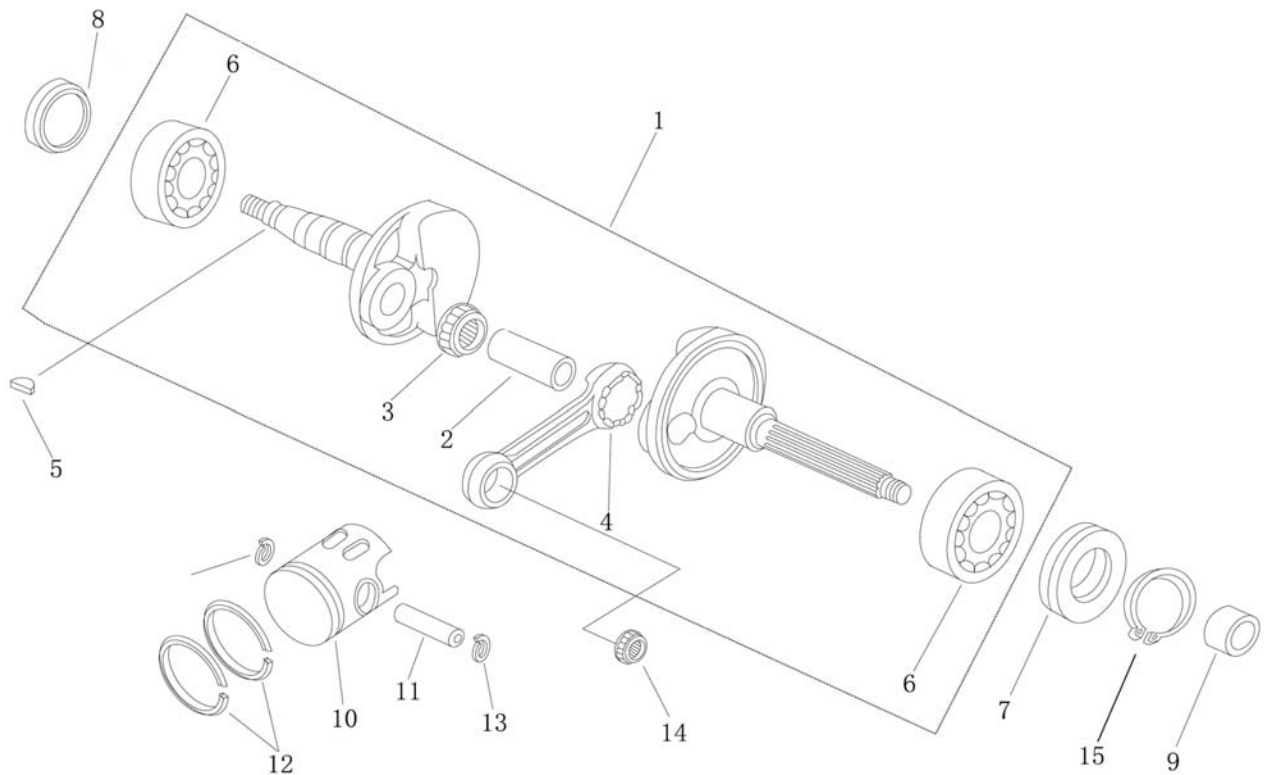


POS.	PART-NO.	DESCRIPTION	QTY	SRT
1	30701B09F00B	CYLINDER HEAD	1	0,7
2	30507B01F000	GASKET CYLINDER HEAD	1	0,7
3	30506B09F00B	SPEAK PLUG	1	0,1
4	27101B09F00B	CYLINDER	1	0,9
5	27102B01F000	GASKET CYLINDER	1	0,9
6	26107B01F910	STUD BOLT M7X109	4	
7	26127G02F910	NUT M7	3	
7	26127G02F00B	ONE WAY NUT M7 25/30 KM/H	1	

E02

PISTON CRANKSHAFT CONNECTING ROD ASSY

EURO II

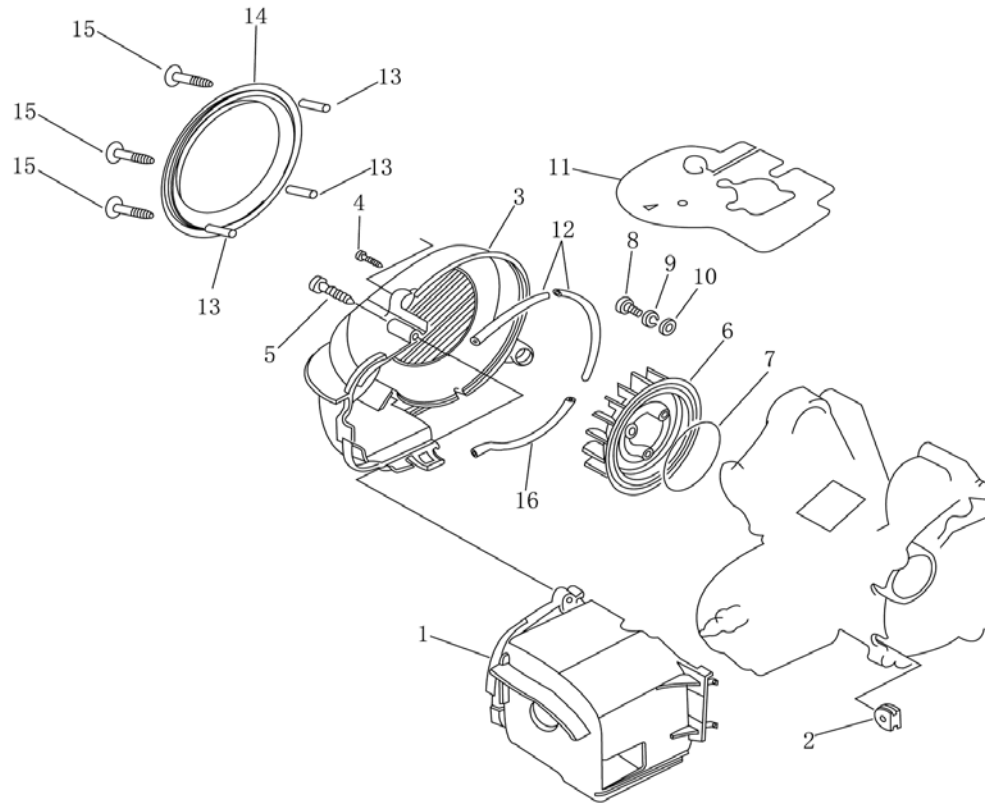


POS.	PART-NO.	DESCRIPTION	QTY	SRT
1	15200B16F000	CRANKCHAFT ASSY	1	3,0
2	15202B01F000	CRANK PIN	1	
3	15114B01F000	NEEDLE BEARING	1	
4	15204B16F000	CONNECTING SHAFT	1	
5	15101B01F000	WOODRUFF KEY	1	
6	B12016620453	NEEDLE BEARING	2	3,0
7	15213G02F000	OIL SEAL	1	0,7
8	26215G02F000	OIL SEAL ASSY	1	1,0
9	15214G02F000	COLLAR	1	0,6
10	15100B09F00C	PISTON ASSY	1	1,0
11	15105B16F000	PISTON PIN	1	1,0
12	15103B09F000	PISTON RING ASSY	2	1,0
13	15111G02F000	CIRCLIP	2	1,0
14	15110B16F000	NEEDLE BEARING	1	1,0
15	17308G02F000	CIRCLIP D42	1	

E03

AIR COOLING SYSTEM

EURO II

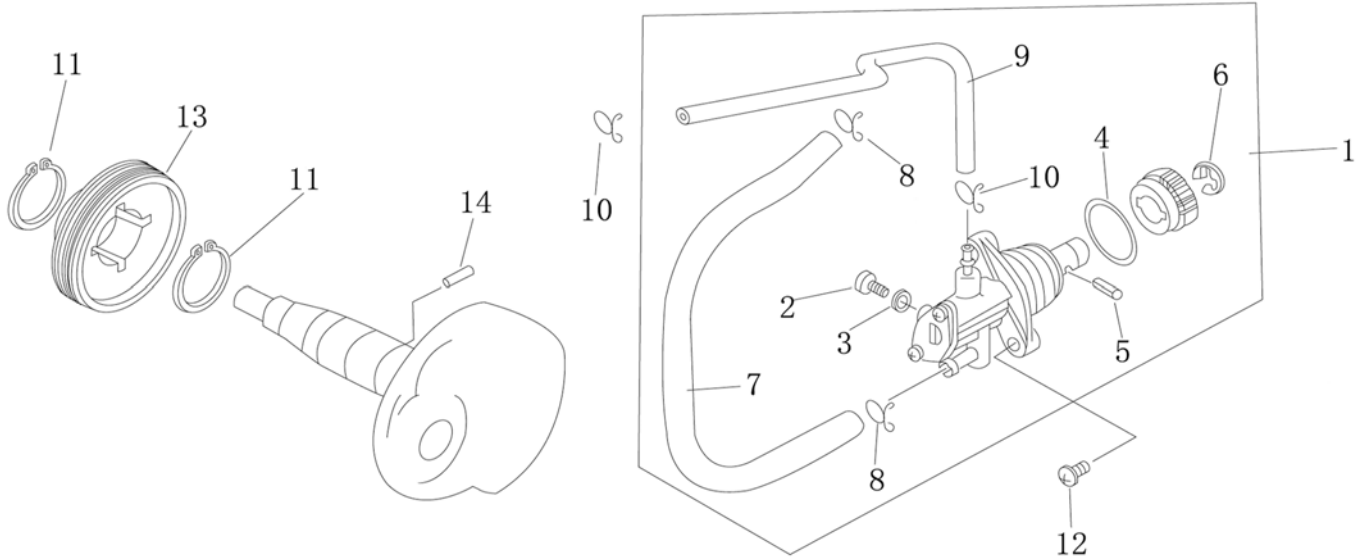


POS.	PART-NO.	DESCRIPTION	QTY	SRT
1	20301B01F000	COWLING CYLINDER	1	0,6
2	20303G02F000	GROMMET	2	0,6
3	20201B09F000	COWLING FAN	1	0,4
4	B01070602064	BOLT M6X20	2	
5	B05035504000	SCREW M5,5X40	1	
6	20401B01F000	FAN ASSY	1	0,5
7	20402G02F000	RUBBER RING	1	
8	B02000601663	SCREW M6X15	3	
9	B07000000600	WASHER 6MM	3	
10	B07030000600	WASHER 6MM	3	
11	20102G02F000	PLATE	1	
12	20206G02F000	MOLD COWLING A	1	
13	20208B09F000	COLLOR	3	
14	20209B09F000	COVER	1	0,1
15	B02000403523	SCREW	3	
16	20208G02F000	MOLD COWLING B	1	

E04

OIL PUMP ASSY

EURO II

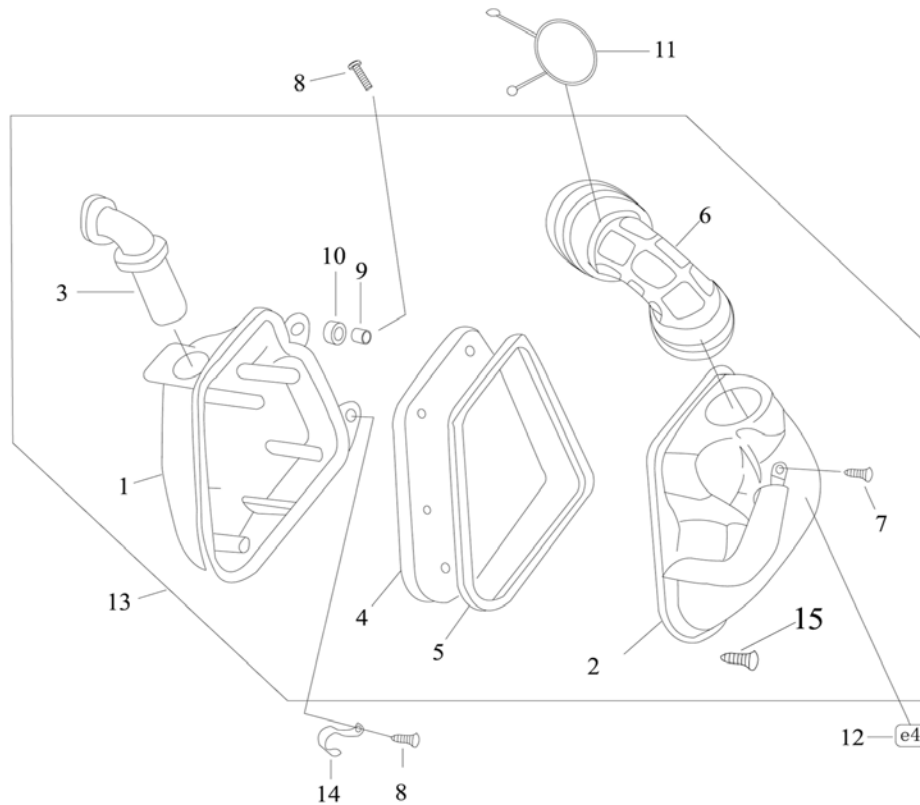


POS.	PART-NO.	DESCRIPTION	QTY	SRT
1	19000B09F001	OIL PUMP ASSY	1	0,9
2	B02000400863	SCREW M5X14	1	
3	B07060000500	WASHER 6MM	1	
4	B190101900A0	O-RING 1,9X1,8	1	
5	B09030301200	PIN	1	
6	B08030000800	CIRCLIP	1	
7	19212B09F000	HOSE	1	0,5
8	19213G02F00A	HOSE CLIP	2	
9	19216B09F000	HOSE	1	1,0
10	19217G02F00A	HOSE CLIP	2	
11	15106G02F910	CIRCLIP	2	
12	B02000501463	SCREW M3X8	2	
13	15211G02F000	PUMP DRIVE GEAR	1	0,9
14	B090103014C0	PIN	1	0,9

E05

AIR CLAENER

EURO II

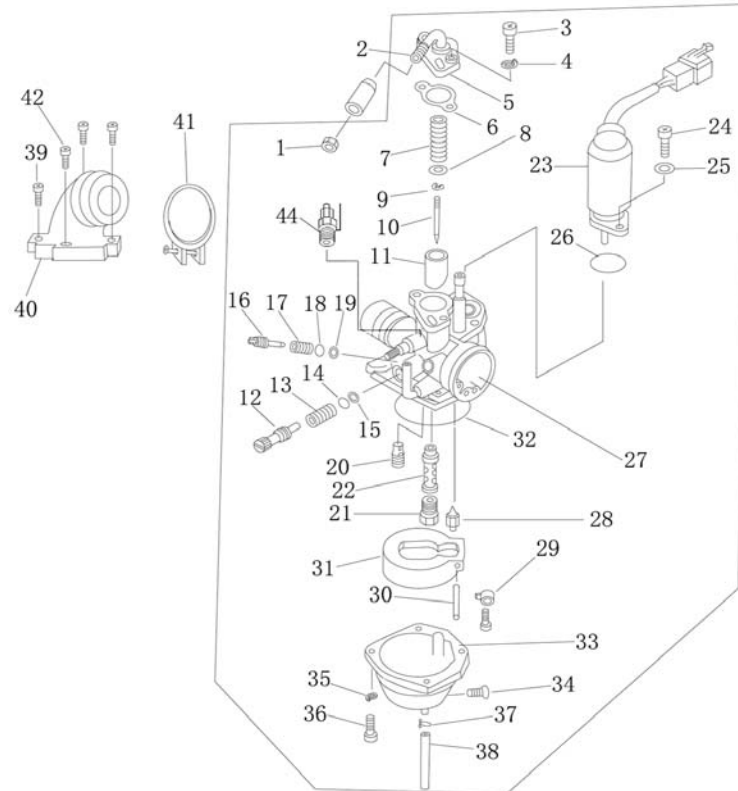


POS.	PART-NO.	DESCRIPTION	QTY	SRT
1	49101BMBT000	CASE, AIR CLEANER	1	0,4
2	49001BMBT000	COVER, AIR CLEANER	1	0,4
3	49002BM0T000	GUIDE PIPE	1	
4	49200BM0T001	FILTER	1	0,4
5	49013BM0T001	SEAL GASKET	1	
6	49005BM0T001	CONNECTING PIPE	1	0,4
7	B05074202000	TAPPING SCREW ST4.2X20	5	
8	B01090602060	BOLT M6X20MM	2	
9	49004BM0T000	BUSH	2	
10	49022BM0T000	GROMMET	2	
11	49016BM0T000	CLIP 42,5	1	
12	05561BM0T000	STICKER "E4"	1	
13	49000BMBT000	AIR CLEANER ASSY.	1	0,3
14	49371B0DT000	GUIDE, BRAKE CABLE	1	
15	B05074201200	TAPPING SCREW ST4.2X12	4	

E06

CARBURETOR ASSY

EURO II

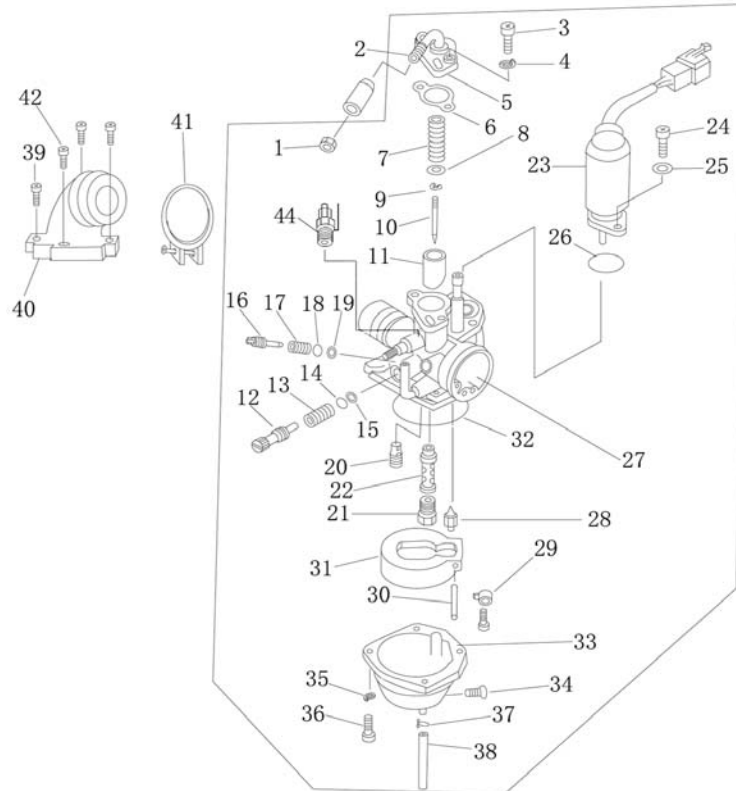


POS.	PART-NO.	DESCRIPTION	QTY	SRT
1	32501B01F910	FIX SCREW	1	
2	32502B01F910	INSTRAINT PIPE	1	
3	32503B01F223	SCREW	2	
4	B07000000400	WASHER	2	
5	32505B01F000	CAP	1	0,4
6	32506B01F000	GASKET	1	
7	32507B01F000	RETURN SPRING	1	
8	32508B01F000	CLIP,V SHAPE	1	
9	B08030001500	CLIP	1	
10	32510B01F000	NEEDLE, JET	1	
11	32511B01F000	VALVE,PISTON 45/30/58 KM/H	1	
11	32511B01F00B	VALVE,PISTON 25 KM/H	1	
12	32601B01F000	SCREW, IDLE SPEED	1	
13	32602B01F000	SPRING, SPEED SCREW	1	
14	32603B01F000	WASHER, SPEED SCREW	1	
15	32604B01F000	O RING, SPEED SCREW	1	
16	32605B01F000	SCREW, AIR	1	
17	32606B01F000	SPRING, AIR SCREW	1	
18	32607B01F000	WASHER, AIR SCREW	1	
19	32608B01F000	O RING, AIR SCREW	1	
20	32609B01F00C	IDLE JET	1	0,5
21	32610B01F00C	MAIN JET 45 25/30 KM/H	1	0,5
21	32610B01F00D	MAIN JET 47,5 45 KM/H	1	0,5
21	32610B01F00E	MAIN JET 57,5 58 KM/H	1	0,5
22	32611B01F00B	NEEDLE JET 45/30/58 KM/H	1	
23	32612B01F000	THERMO ASSY	1	0,4
24	B02040400823	SCREW	2	
25	B07000000400	WASHER	2	
26	32615B01F000	O-RING	1	

E06

CARBURETOR ASSY

EURO II

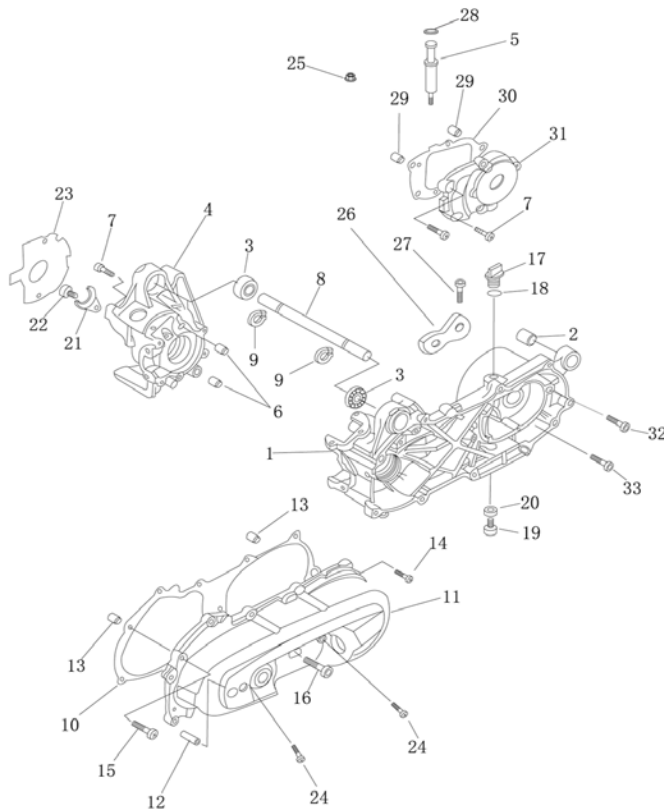


POS.	PART-NO.	DESCRIPTION	QTY	SRT
27	32616B01F000	CARBURETOR BODY	1	
28	32617B01F000	NEEDLE VALVE	1	
29	32618B01F000	HOOK	1	
30	32619B01F000	PIN, FLOAT	1	
31	32620B01F000	FLOAT	1	
32	32701B01F000	GASKET	1	0,5
33	32702B01F000	FLOAT CHAMBER	1	
34	32703B01F000	SCREW	1	
35	B07000000400	WADHER	1	
36	B02040401423	SCREW	1	
37	32706B01F000	CLIP	1	
38	32707B01F000	HOSE, DRAIN	1	
39	B02050602064	SCREW	3	
40	32200G02F000	INTAKE PIPE	1	
41	32202B09F000	CLIP 25KM/H	1	
42	32206B01F000	SCREW	1	
43	32500B01F21C	CARBURETOR ASSY 25 KM/H	1	
43	32500B01F22C	CARBURETOR ASSY 30 KM/H	1	
43	32500B01F23D	CARBURETOR ASSY 45 KM/H	1	
43	32500B01F24E	CARBURETOR ASSY 58 KM/H	1	
44	32800B09F000	HEATING ASSY	1	

E07

CRANKCASE ASSY

EURO II

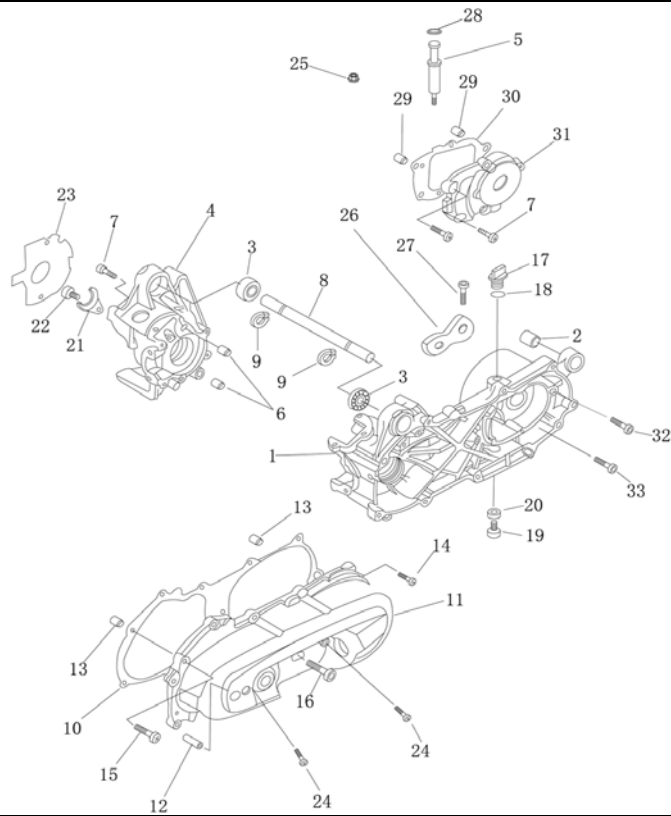


POS.	PART-NO.	DESCRIPTION	QTY	SRT
1	26111B09F001	CRANKCASE, LH	1	3,5
2	26108G02F000	GROMMT	1	0,5
3	B12016600300	BEARING	2	
4	26211B09F001	CRANKCASE,RH	1	2,0
5	26142G02F000	BRAKE SHOE ANCHOR PIN ASSY	1	1,0
6	26123G02F000	DOWEL PIN	2	
7	B01070603564	PAN HEAD SCREW	6	
8	26109B09F000	AXLE, ENGINE MOUNT	1	
9	B08010001700	CIRCLIP	2	
10	14109B09F000	GASKET,L CRANKCASE	1	
11	14108B09F00B	L CRANKCASE COVER	1	0,3
12	26128G02F000	IDLE GEAR	1	
13	26208G02F000	DOWEL PIN	2	
14	B01070602564	PAN HEAD SCREW	8	
15	B01070603564	PAN HEAD SCREW	1	
16	B01070606564	PAN HEAD SCREW	1	
17	26202G02F000	OIL PLUG	1	
18	26102G02F000	O RING	1	
19	26121G02F000	FLANGE BOLT	1	
20	26124G02F000	PLATE WASHER	1	
21	26214G02F910	OIL SEAL HOLDER	1	
22	B01070601263	PAN HEAD SCREW	1	
23	26216G02F000	GASKET	1	
24	B05033501400	SCREW	6	
25	B04070812553	NUT	1	
26	26214B09F000	BEARING HOLDER	1	
27	B02000601262	PAN HEAD SCREW	2	
28	26143G02F000	O-RING	1	
29	26123G02F000	DOWEL PIN	2	

E07

CRANKCASE ASSY

EURO II

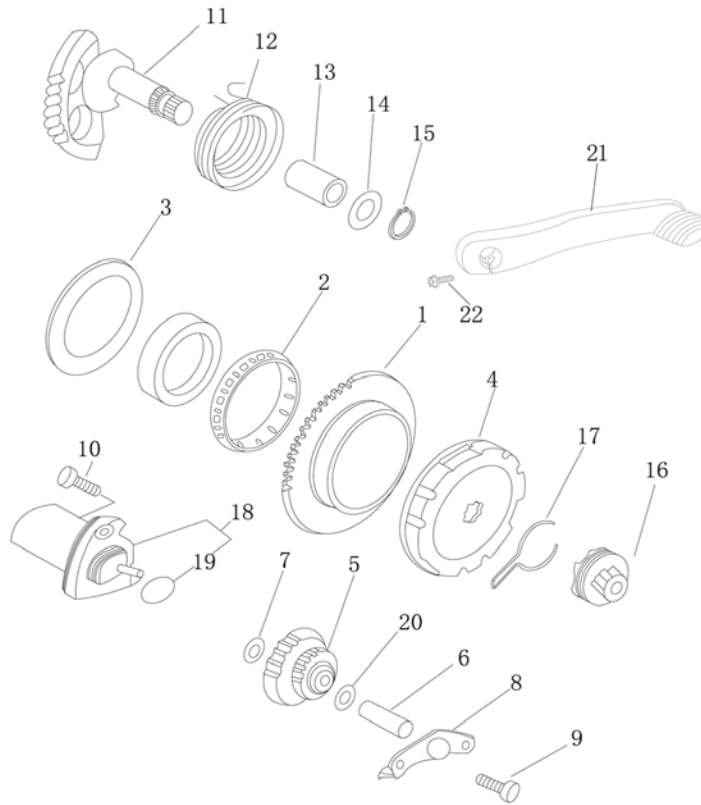


POS.	PART-NO.	DESCRIPTION	QTY	SRT
30	18100B09F000	MISSION CASE GASKET	1	1,0
31	18101B09F000	MISSION CASE	1	1,0
32	B01070805563	SCREW M8X55	2	
33	B01070805063	SCREW M8X50	5	
34	14149B09F000	AIR DUCT-OUTLET	1	
35	14148B09F000	AIR DUCT-INLET	1	
36	14150B09F000	FILTER ASSY	1	

E08

KICK STARTER ASSY

EURO II

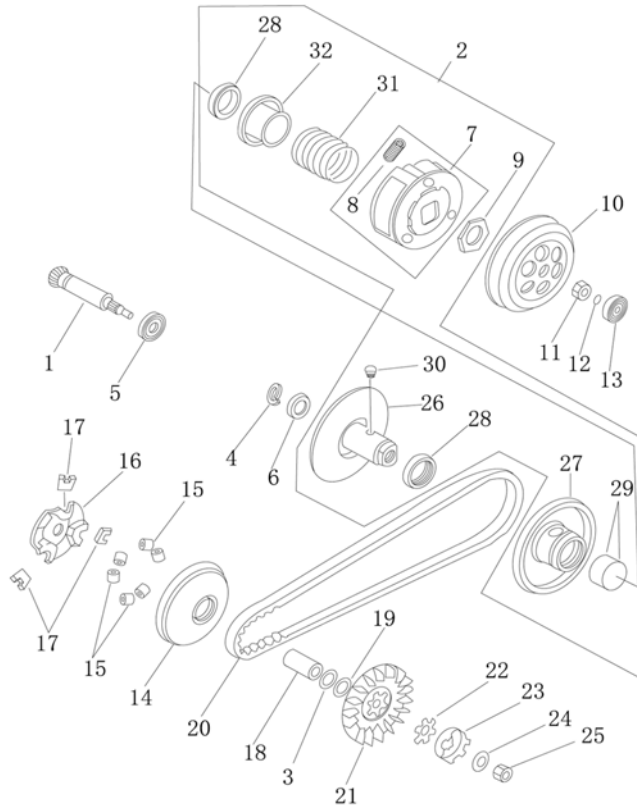


POS.	PART-NO.	DESCRIPTION	QTY	SRT
1	34120G02F000	START GEAR ASSY	1	0,5
2	34121G02F000	NEEDLE BEARING	1	0,5
3	34123G02F000	THRUST WASHER	1	0,5
4	34400G02F000	START CLUTCH ASSY	1	0,5
5	34126G02F000	IDLE GEAR	1	0,5
6	26128G02F000	IDLE GEAR SHAFT	1	0,5
7	34122G02F000	PLATE WASHER	1	
8	34125G02F000	IDLE GEAR HOLDER	1	
9	B02000601063	SCREW	2	
10	B02050602064	SCREW	2	
11	17400G02F00B	SHAFT, KICK STARTER	1	0,3
12	17407G02F000	SPRING	1	0,3
13	17413G02F00B	BUSH	1	0,3
14	17422G02F000	WASHER , KICK STARTER	1	
15	B08010001500	CIRCLIP	1	
16	17415G02F000	KICK PINION ASSY	1	0,3
17	17418G02F930	CLIP	1	0,3
18	34200G02F000	STARTING MOTOR ASSY	1	0,4
19	B190102120B0	O-RING	1	0,4
20	34130G02F000	PLATE WASHER	1	
21	08351BM0TC10	STARTING SHAFT SILVER	1	0,1
22	B02050602560	SCREW 6X25	1	

E09

CLUTCH ASSY

EURO II

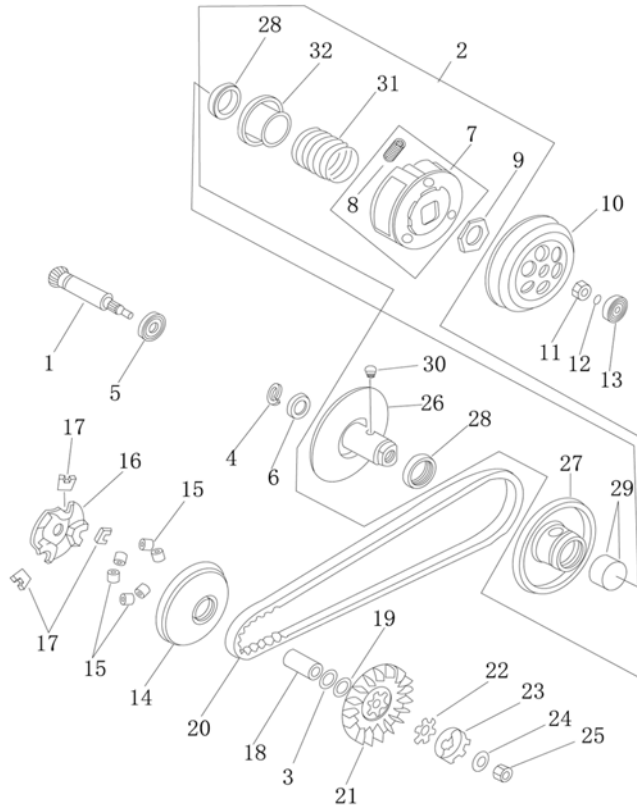


POS.	PART-NO.	DESCRIPTION	QTY	SRT
1	24201B09F000	PRIMARY DRIVE GEAR	1	1,0
2	24201B01F000	DRIVEN PULLY AND CLUTCH ASSY	1	0,4
3	24106B09F00F	WASHER 45 KM/H 3,2MM THICKNESS	1	
3	24106B09F00G	WASHER 30 KM/H 4,0MM THICKNESS	1	
3	24106B09F00E	WASHER 25 KM/H 8,2MM THICKNESS	1	
4	B08010001700	CIRCLIP	1	
5	B12016620300	ROLING BEARING	1	
6	24203B09F000	OIL SEAL	1	
7	24301G02F000	CLUTCH ASSY,SHOE	3	0,5
8	24302G02F000	SPRING	3	
9	24304G02F000	NUT	1	0,4
10	24700G02F000	HOUSING	1	
11	24305G02F940	NUT	1	
12	24209G02F000	O-RING	1	
13	24303G02F000	BEARING	1	0,4
14	24101B09F000	FACE,MOVABLE DRIVE	1	0,4
15	24102B09F00A	ROLLER 25/30/45 KM/H 6,3 GR.	6	0,4
15	24102B09F01B	ROLLER 58 KM/H 5,8 GR.	6	0,4
16	24103G02F000	PLATE,MOVABLE DRIVE	1	0,4
17	24104G02F000	DAMPER	3	0,4
18	24105G02F000	COLLER	1	0,4
19	24106B01F000	WASHER	1	
20	24107G02F000	V BELT DRIVE	1	0,4
21	24108B09F000	FACE FIXED DRIVE	1	0,4
22	24109G02F000	PLATE WOODRUFF KEY	1	0,4
23	24110G02F000	STARTING DISC	1	0,4
24	15112G02F010	WASHER SPRING	1	
25	B04031212553	NUT	1	
26	24204G02F000	FACE FIXED DRIVEN	1	0,6

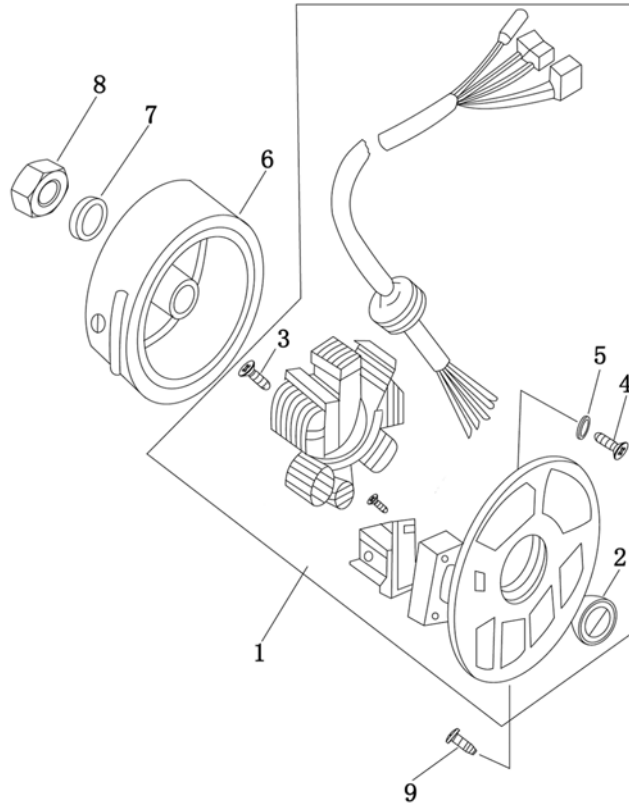
E09

CLUTCH ASSY

EURO II



POS.	PART-NO.	DESCRIPTION	QTY	SRT
27	24205G02F000	FACE,MOVABLE DRIVEN	1	0,6
28	24206G02F000	OIL SEAL	1	0,6
29	24207G02F000	O-RING	2	0,6
30	24208G02F000	PIN, GUIDE	1	0,6
31	24308G02F000	SPRING	1	0,5
32	24309G02F930	SEAT, SPRING	1	

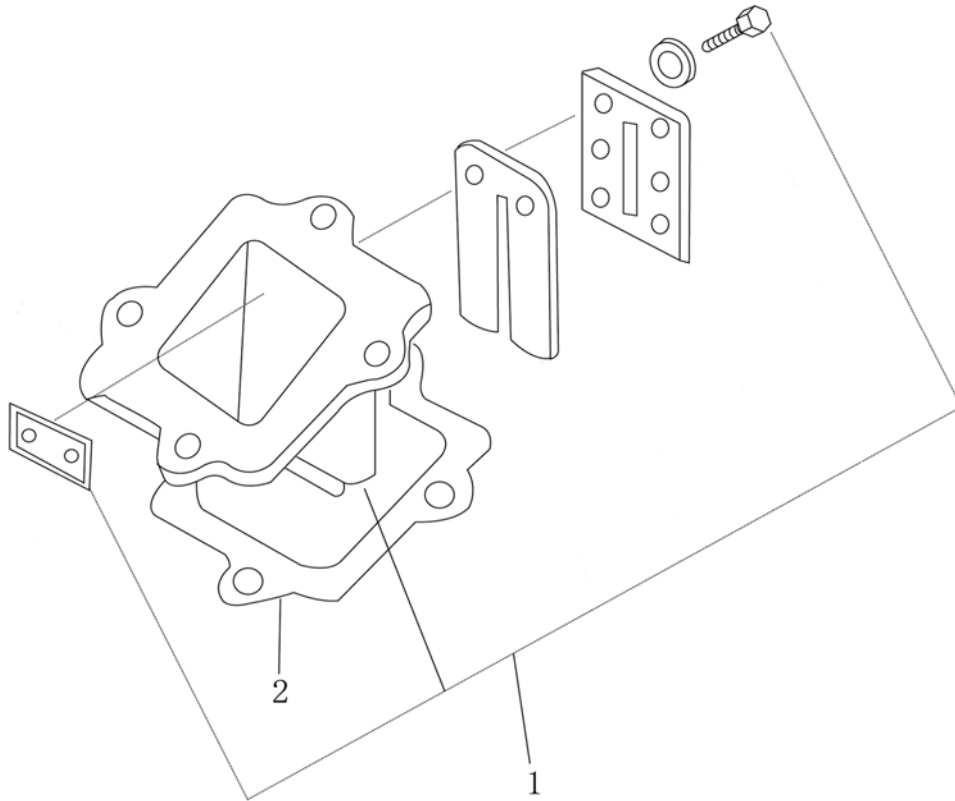
E10**MAGNETO ASSY****EURO II**

POS.	PART-NO.	DESCRIPTION	QTY	SRT
1	34310G02F001	STATOR ASSY	1	1,0
2	34350G02F000	OIL SEAT	1	1,0
3	B02000502522	SCREW M5X25	2	
4	B02000400622	SCREW M4X16	1	
5	B07000000400	WASHER	1	
6	34301G02F00D	ROTOR ASSY	1	0,8
7	B07030001200	WASHER	1	
8	B04011212553	NUT M12X1,25	1	
9	B02000601664	SCREW M6X16	2	

E11

REED VALVE ASSY

EURO II

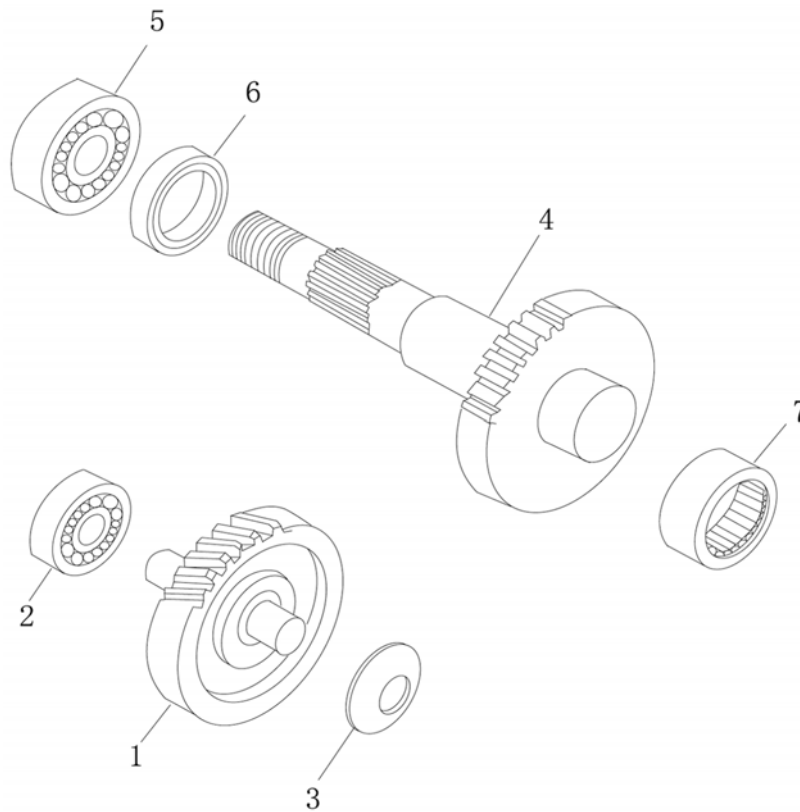


POS.	PART-NO.	DESCRIPTION	QTY	SRT
1	32300G02F000	REED VALVE ASSY	1	0,5
2	32312G02F000	VALVE SEAT GASKET	1	0,5

E12

TRANSMISSION SYSTEM ASSY

EURO II



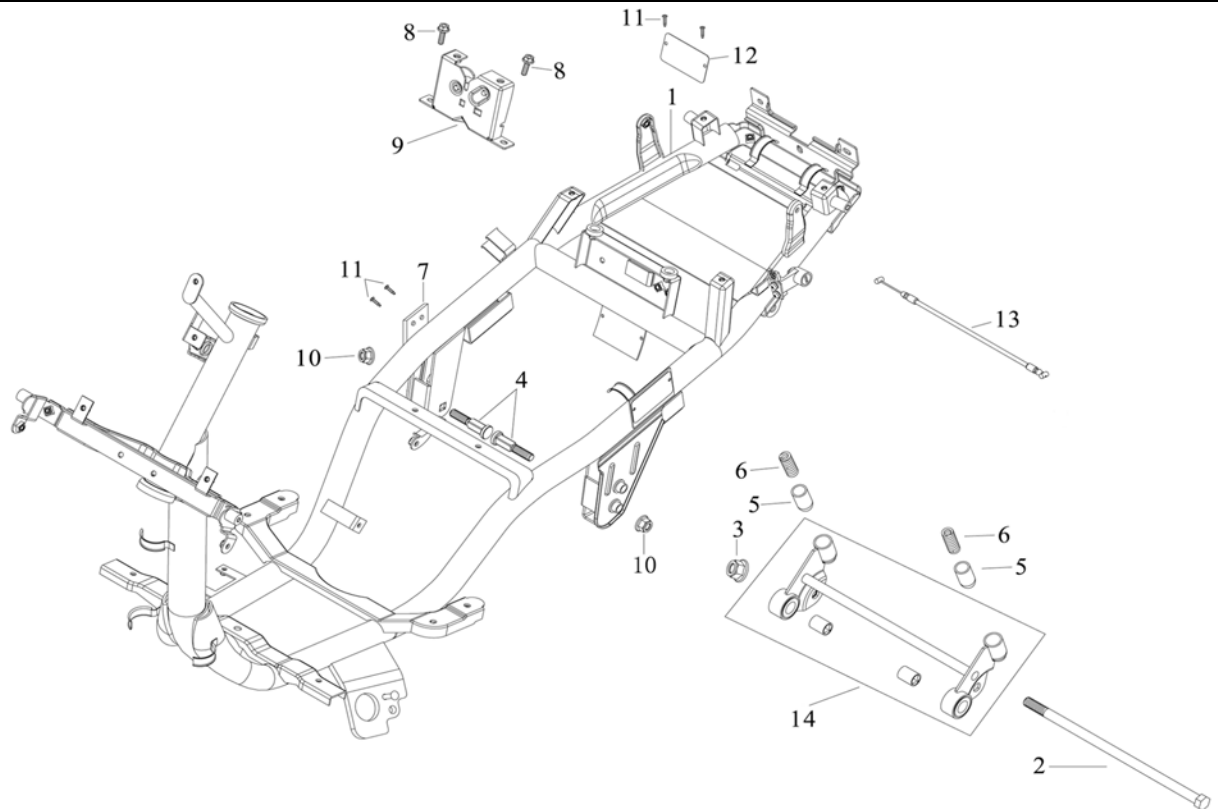
POS.	PART-NO.	DESCRIPTION	QTY	SRT
1	17800B09F000	IDLE SHAFT	1	1,0
2	B12016620000	BEARING 6200	1	1,0
3	17732J01F000	THRUST WASHER	1	1,0
4	17300B09F000	SHAFT, REAR BOX	1	1,0
5	B12016600400	NEEDLE BEARING	1	1,0
6	17317B09F000	OIL SEAL	1	1,0
7	B12016620200	NEEDLE BEARING	1	1,0

F01

FRAME BODY

POPCORN

EURO II



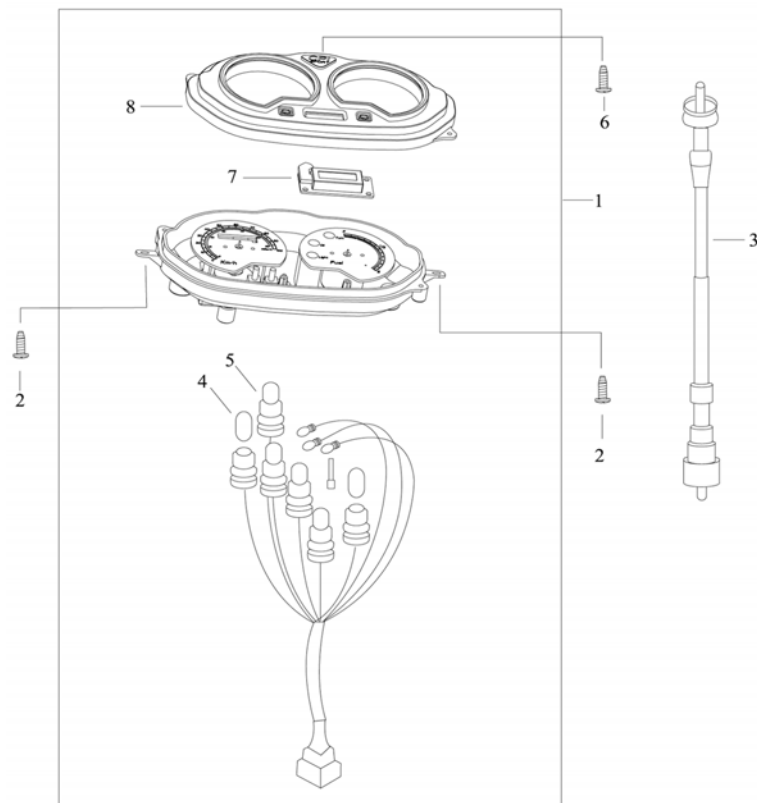
POS.	PART-NO.	DESCRIPTION	QTY	SRT
1	57100BM0T000	FRAME COMP. 3MM	1	5,0
2	58303BM0T001	E/G MOUNTING BOLT, 1	1	0,2
3	B04171212560	FLANGE U NUT 12MM	1	
4	58301BM0T001	E/G MOUNTING BOLT, 2	2	
5	58302B0DT000	DAMPER	2	0,8
6	58304BM0T000	SPRING	2	0,8
7	57001BM0T00A	FRAME BODY NO. PLATE 45 KM/H	1	
7	57001BM0T00C	FRAME BODY NO. PLATE 25 KM/H	1	
7	57001BM0T00B	FRAME BODY NO. PLATE 30 KM/H	1	
8	B01090602060	FLANGE BOLT 6X20	2	
9	58800BM0T000	SEAT CATCH COMP.	1	0,3
10	B04171012560	NUT	2	
11	B100432007P0	RIVET 3.2X7	4	
12	57002BM0T00A	ANTI-TAMPERING PLATE 45 KM/H	1	
12	57002BM0T00B	ANTI-TAMPERING PLATE 25 KM/H	1	
12	57002BM0T00C	ANTI-TAMPERING PLATE 30 KM/H	1	
13	58900BM0T000	SEAT CABLE	1	
14	58360BM0T000	E/G BRKT COMP.	1	1,0

F02

INSTRUMENT PANEL

POPCORN

EURO II



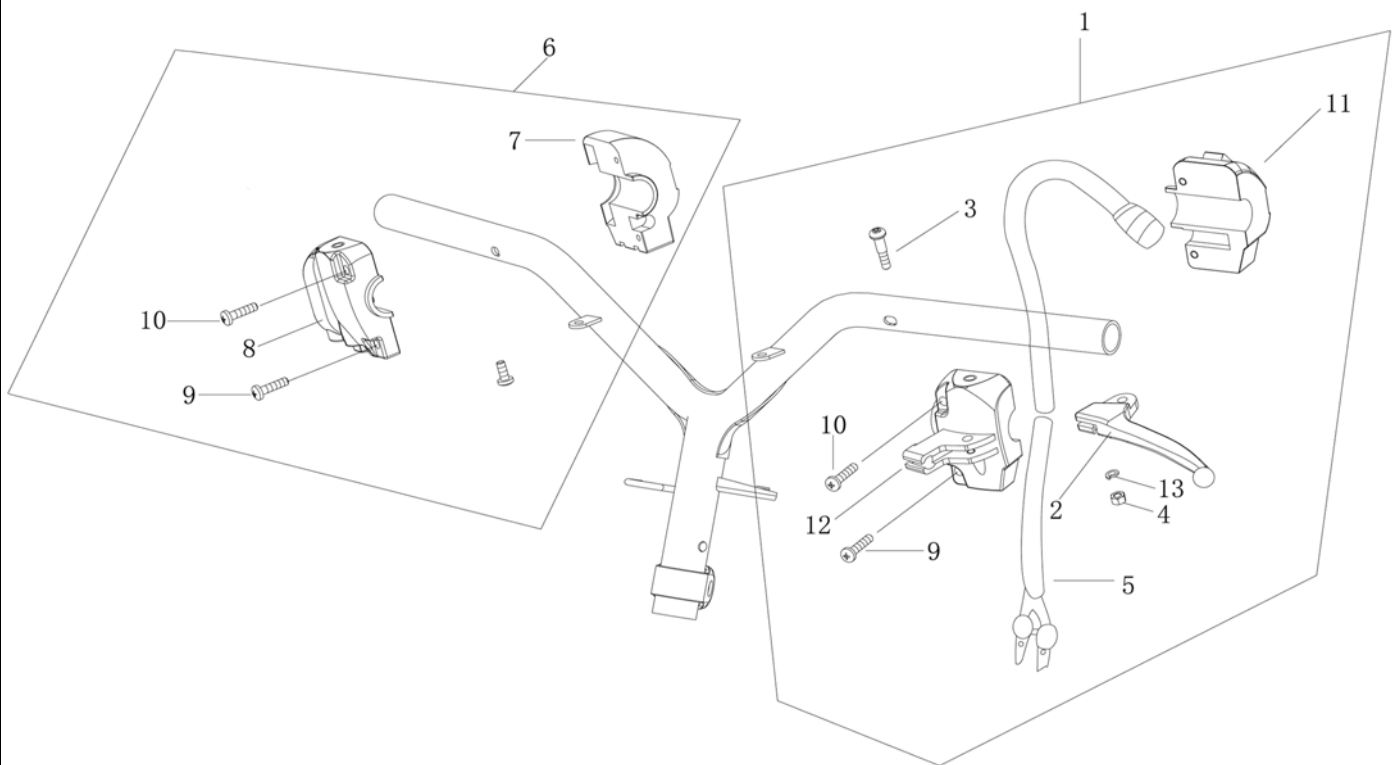
POS.	PART-NO.	DESCRIPTION	QTY	SRT
1	7000BMBTW63	SPEEDOMETER COMP. BLUE	1	0,3
2	B05074001200	TAPPING SCREW 4X12	2	
3	72900BMBT000	CABLE ASSY SPEEDOMETER	1	0,5
4	70001H70X000	BULB 12V-3W	3	0,2
5	70002H70X000	BULB 12V-1.7W	3	0,2
6	B05074001000	TAPPING SCREW 4X10	1	
7	76000BMBT001	DIGITAL WATCH	1	0,4
8	70003BMBT001	SPEEDOMETER UPPER COVER	1	0,3

F03

LEVER HANDLE SWITCH

POPCORN

EURO II



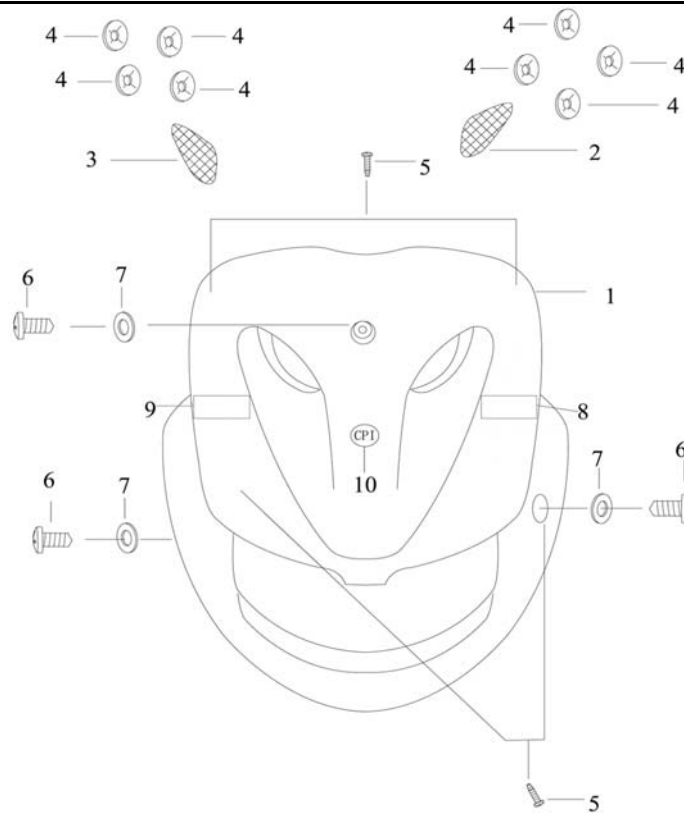
POS.	PART-NO.	DESCRIPTION	QTY	SRT
1	40500BM0T001	LEFT HANDLE SWITCH COMP.	1	0,3
2	40002BMBT000	LEFT LEVER	1	0,1
3	40004BMAT001	LEVER MOUNTING SCREW (STAINLESS STEEL)	1	
4	B04000500060	U NUT	1	
5	91600BMAT000	STOP SWITCH ASSY. LEFT	1	0,2
6	40600BMAT000	RIGHT HANDLE SWITCH COMP.	1	0,3
7	40610BMAT000	RIGHT HANDLE SWITCH	1	0,3
8	40620BM0T000	R. SWITCH FIXING SEAT	1	0,3
9	B02000502020	PAN HEAD SCREW5X20	2	
10	B02000502520	PAN HEAD SCREW 5X25	2	
11	40510BMAT000	LEFT HANDLE SWITCH	1	0,3
12	40520BM0T000	L. SWITCH FIXING SEAT	1	0,3
13	B07000000500	WASHER 5MM	1	

F04

FRONT COVER

POPCORN

EURO II



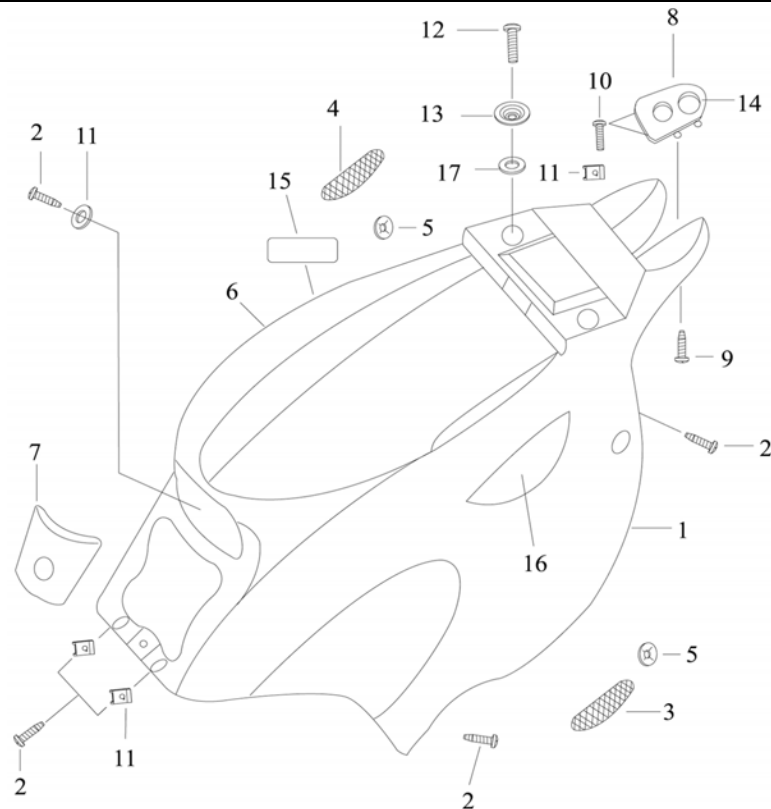
POS.	PART-NO.	DESCRIPTION	QTY	SRT
1	65301BM0TB70	LEG SHIELD 1 BLACK	1	0,3
1	65301BM0TLE0	LEG SHIELD 1 ELECTRIC BLUE	1	0,3
1	65301BM0TC10-FL	LEG SHIELD 1 SILVER	1	0,3
1	65301BM0TR60-FL	LEG SHIELD 1 RED	1	0,3
2	65305BM0T000	PROTECTOR LEFT	1	0,2
3	65306BM0T000	PROTECTOR RIGHT	1	0,2
4	65311BM0T000	SPEED NUT	8	
5	B05075001600	TAPPING SCREW M5X16	4	
6	65314BM0T001	SCREW M6X14 (STAINLESS STEEL)	3	
7	08027BM0T000	PLASTIC WASHER	3	
8	05521BM0T004	STICKER LEFT ORANGE/BLACK	1	
8	05521BM0T005	STICKER LEFT ORANGE/SILVER	1	
9	05522BM0T004	STICKER RIGHT ORANGE/BLACK	1	
9	05522BM0T005	STICKER RIGHT ORANGE/SILVER	1	
10	05525BM0T002	STICKER "C. P. I"	1	

F05

SIDE COVER

POPCORN

EURO II

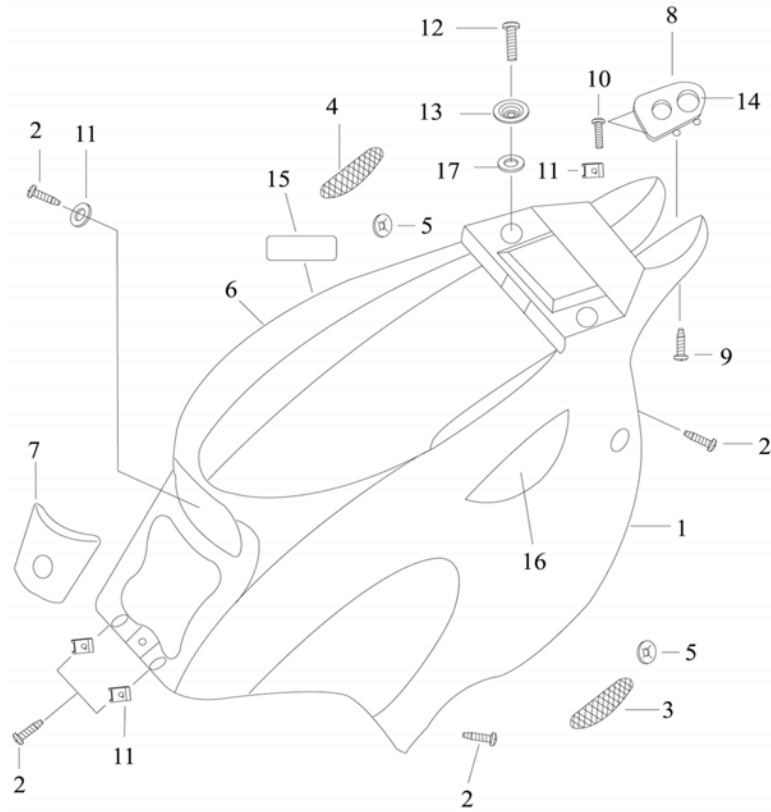


POS.	PART-NO.	DESCRIPTION	QTY	SRT
1	65601BM0TB70	SIDE COVER, LEFT BLACK	1	0,4
1	65601BM0TLE0	SIDE COVER, LEFT ELECTRIC BLUE	1	0,4
1	65601BM0TC10-FL	SIDE COVER, LEFT SILVER	1	0,4
1	65601BM0TR60-FL	SIDE COVER, LEFT RED	1	0,4
2	B05004801600	TAPPING SCREW 4.8X16	7	
3	65307BM0T000	GRATING FOR SIDE COVER LEFT	1	0,3
4	65308BM0T000	GRATING FOR SIDE COVER RIGHT	1	0,3
5	65311BM0T000	SPEED NUT	8	
6	65602BM0TB70	SIDE COVER, RIGHT BLACK	1	0,4
6	65602BM0TLE0	SIDE COVER, RIGHT ELECTRIC BLUE	1	0,4
6	65602BM0TC10-FL	SIDE COVER, RIGHT SILVER	1	0,4
6	65602BM0TR60-FL	SIDE COVER, RIGHT RED	1	0,4
7	65619BM0TB70	SIDE COVER, 3 BLACK	1	0,1
7	65619BM0TLE0	SIDE COVER, 3 ELECTRIC BLUE	1	0,1
7	65619BM0TC10	SIDE COVER, 3 SILVER	1	0,1
7	65619BM0TR60	SIDE COVER, 3 RED	1	0,1
8	65605BM0TB70	SIDE COVER, 4 BLACK	1	0,4
8	65605BM0TLE0	SIDE COVER, 4 ELECTRIC BLUE	1	0,4
8	65605BM0TC10	SIDE COVER, 4 SILVER	1	0,4
8	65605BM0TR60	SIDE COVER, 4 RED	1	0,4
9	B05084200700	TAPPING SCREW 4.2X7	6	
10	B05075001100	TAPPING SCREW 5X11	2	
11	65802BMAT000	SPRING NUT 5MM BLACK	5	
12	B13010601200	SCREW W/WASHER 6X12	2	
13	65616BM0T000	RUBBER WASHER	2	
14	05525BM0T000	STICKER "CPI"	1	
15	05512BM0T004	STICKER POPCORN RIGHT ORANGE/BLACK	1	0,1
15	05512BM0T005	STICKER POPCORN RIGHT ORANGE/SILVER	1	0,1

F05

SIDE COVER

**POPCORN
EURO II**

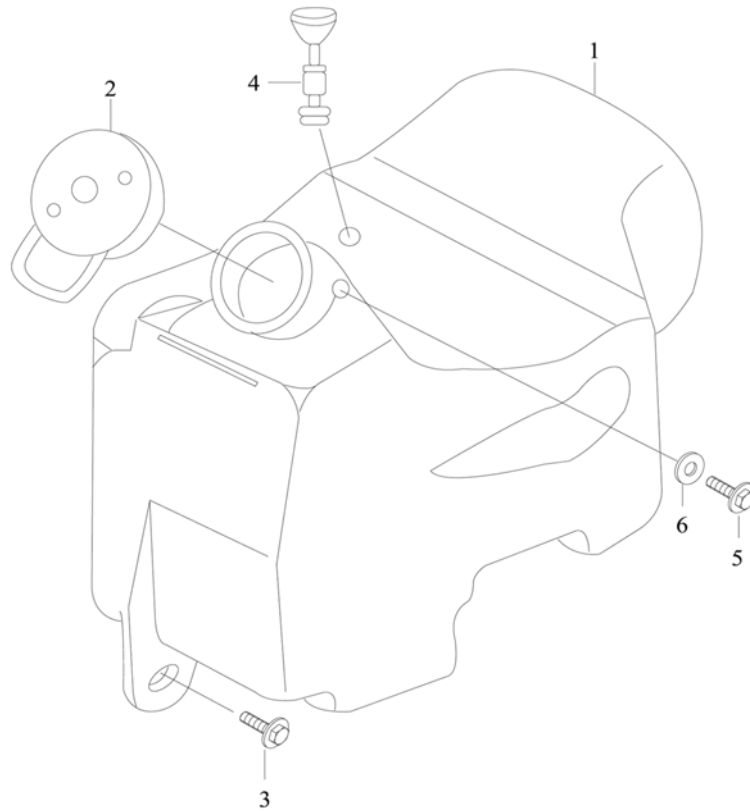


POS.	PART-NO.	DESCRIPTION	QTY	SRT
16	05511BM0T004	STICKER POPCORN LEFT ORANGE/BLACK	1	0,1
16	05511BM0T005	STICKER POPCORN LEFT ORANGE/SILVER	1	0,1
17	08021BM0T000	WASHER	2	

F06

OIL TANK

POPCORN

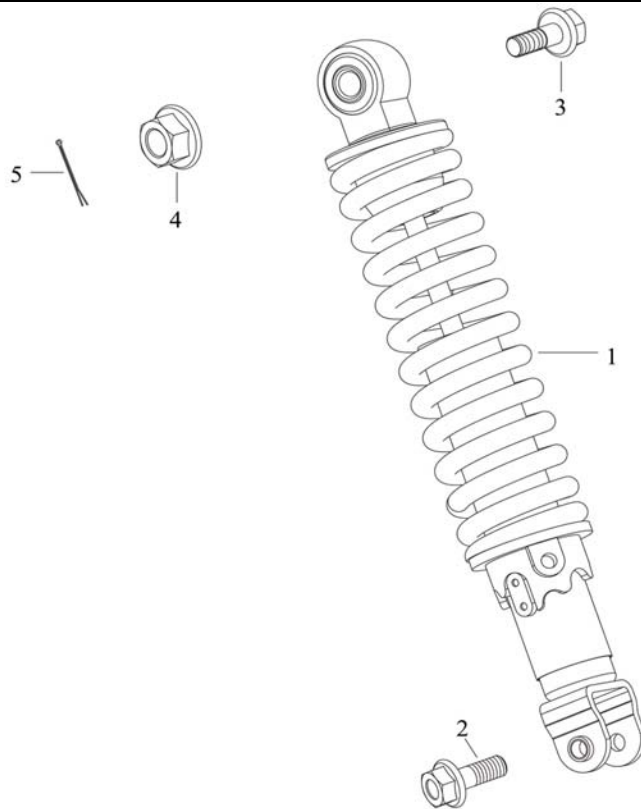


POS.	PART-NO.	DESCRIPTION	QTY	SRT
1	64001BMAT000	OIL TANK BODY	1	0,3
2	64090BMAT000	OIL TANK CAP	1	0,1
3	B13010602000	SCREW W/WASHER 6X20	1	
4	64100BMAT000	OIL LEVER GAUGE COMP.	1	0,2
5	B02000601620	PAN HEAD SCREW 6X16	1	
6	B07030000600	WASHER 6	1	
7	50307BMOT000	CLIP 8	1	

F07

REAR SUSPENSION

POPCORN



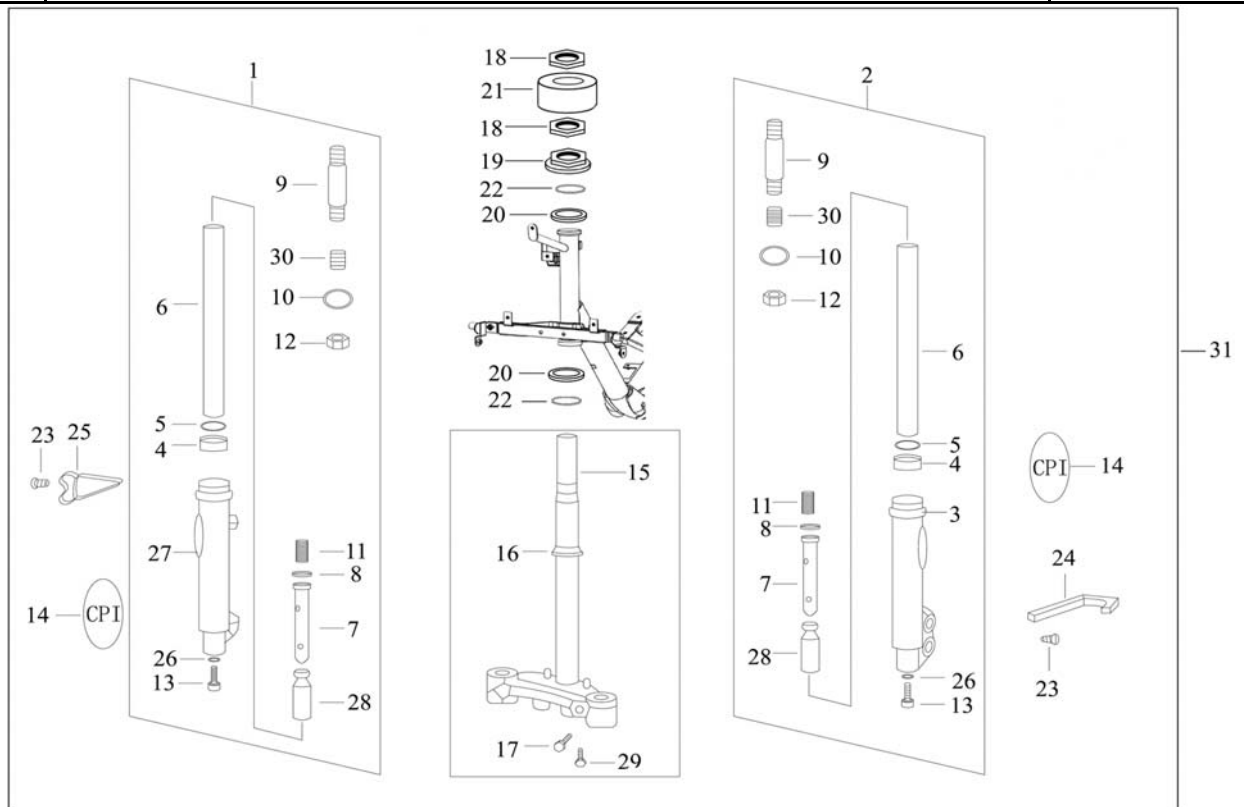
POS.	PART-NO.	DESCRIPTION	QTY	SRT
1	63100BM0TC10	RR. ABSORBER ASSY. SILVER	1	0,2
2	63015J0ET001	FLANGE BOLT 8X31 (STAINLESS STEEL)	1	
3	B01141004060	BOLT 10X1.25 X40	1	
4	B04071012560	FLANGE NUT 10X1.25MM	1	
5	63016B0DT001	SPLIT PIN 1.2X22 (STAINLESS STEEL)	1	

F08

FRONT FORK ASSY

POPCORN

EURO II

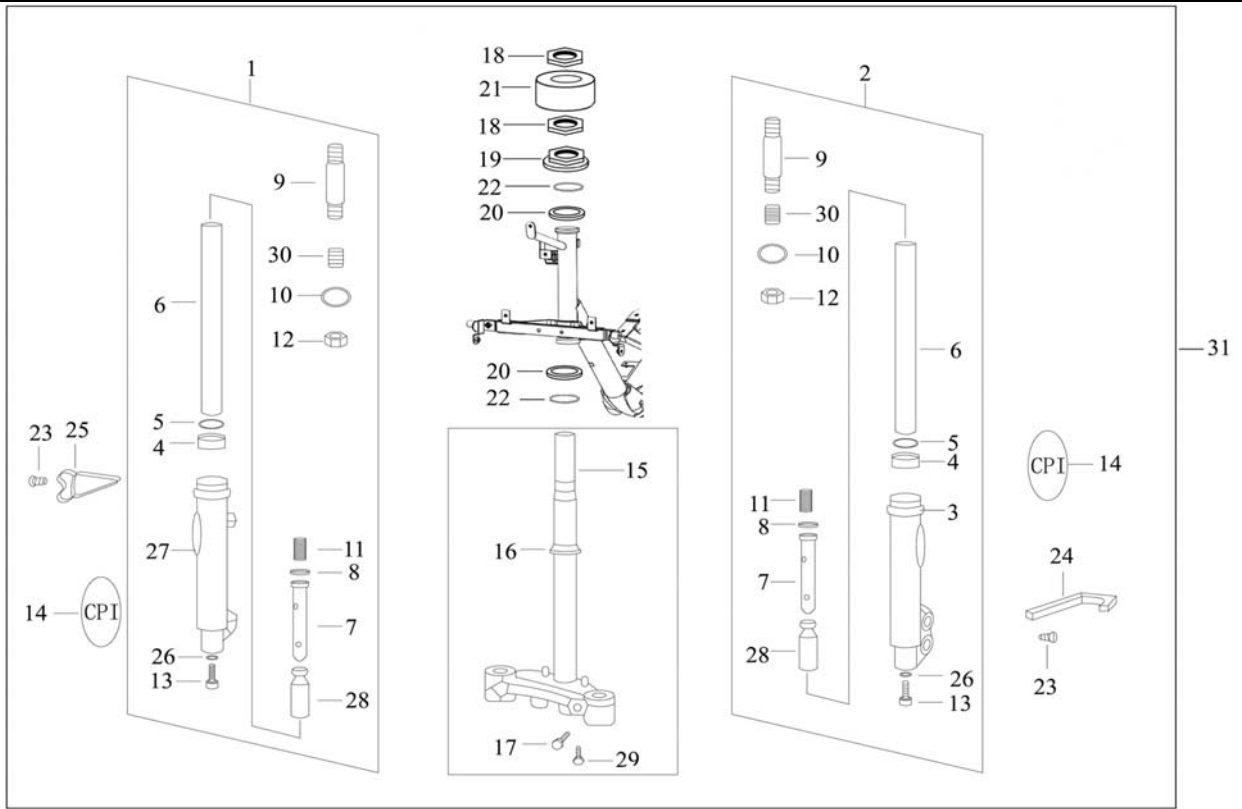


POS.	PART-NO.	DESCRIPTION	QTY	SRT
1	43300BMBT002	F.R. FORK ASSY. 31MM	1	0,3
2	43200BMBT002	F.L. FORK ASSY. 31MM	1	0,3
3	43201BMBT002	OUTER TUBE, LEFT 31MM	1	0,5
4	43260K00P000	OIL SEAL	2	0,5
5	43207K00P000	CLIP	2	0,5
6	43230BMBT001	INNER TUBE COMP 31MM	2	0,6
7	43214BMBT001	FR. FORK PISTON	2	0,6
8	43208BMBT001	PISTON RING	2	0,6
9	43202BMBT001	SPRING	2	0,6
10	B190123200B0	O-RING 23.2X2.65	2	
11	43203BMBT001	FR. FORK SPRING	2	0,4
12	43204BMBT001	CAP BOLT	2	0,1
13	B02050802565	BOLT 8X25MM	2	0,5
14	05501BMBT000	STICKER "CPI"	2	0,1
15	43100BMBT003	UNDER BRACKET COMP. 31MM	1	1,1
16	43004BMBT000	BALL RACE, 4	2	1,0
17	B01091003060	FLANGE BOLT 10X1.25X30	2	0,1
18	43008BMBT000	NUT FROM FIN: AW2L534356	2	1,0
19	43001BMBT002	BALL RACE, CONNECTING FROM FIN: AW2L534356	1	1,0
20	43003BMBT000	BALL RACE, 2	1	1,0
21	43005BMBT001	BALL RACE COVER FROM FIN: AW2L534356	1	1,0
22	B06010150000	STEEL BALL Ø 5 FROM FIN: AW2L534356	44	1,0
23	B01070601620	PAN HEAD SCREW 6X16	2	
24	43021BMBT001	FR. BRAKE HOSE HOLDER	1	0,1
25	43150BMBT000	CABLE HOLDER	1	0,1
26	43209J0AP000	GASKET	2	0,5
27	43301BMBT002	OUTER TUBE RIGHT 31MM	1	0,5
28	43211BMBT001	CUSHION COVER	2	
29	B01090601260	FLANGE BOLT 6X12	3	

F08

FRONT FORK ASSY

**POPCORN
EURO II**



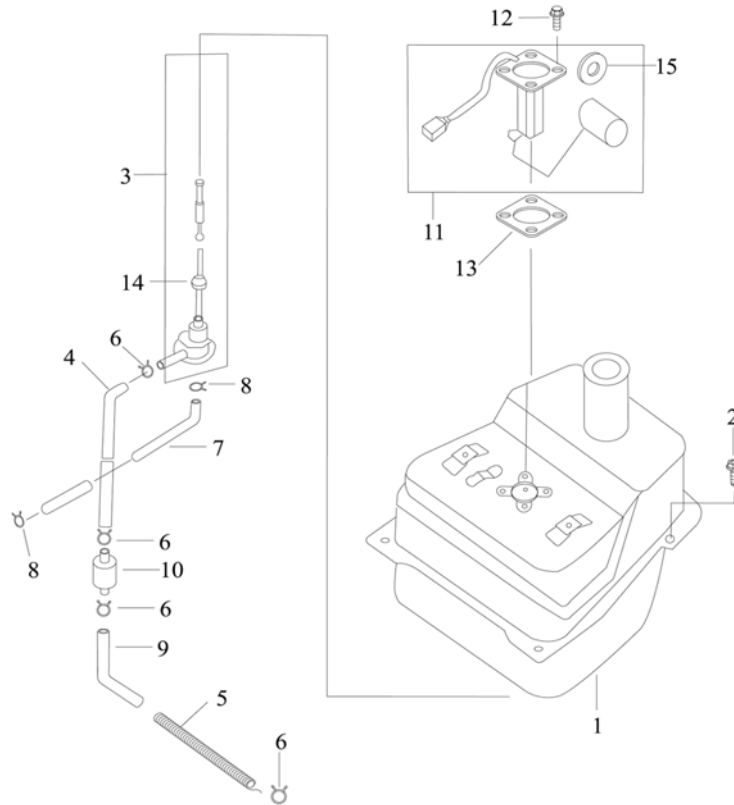
POS.	PART-NO.	DESCRIPTION	QTY	SRT
30	43290K00P000	COVER, ANTI-DUST	2	
31	43000BM0T002	FRONT FORK ASSY.	1	1,0

F09

FUEL TANK

POPCORN

EURO II



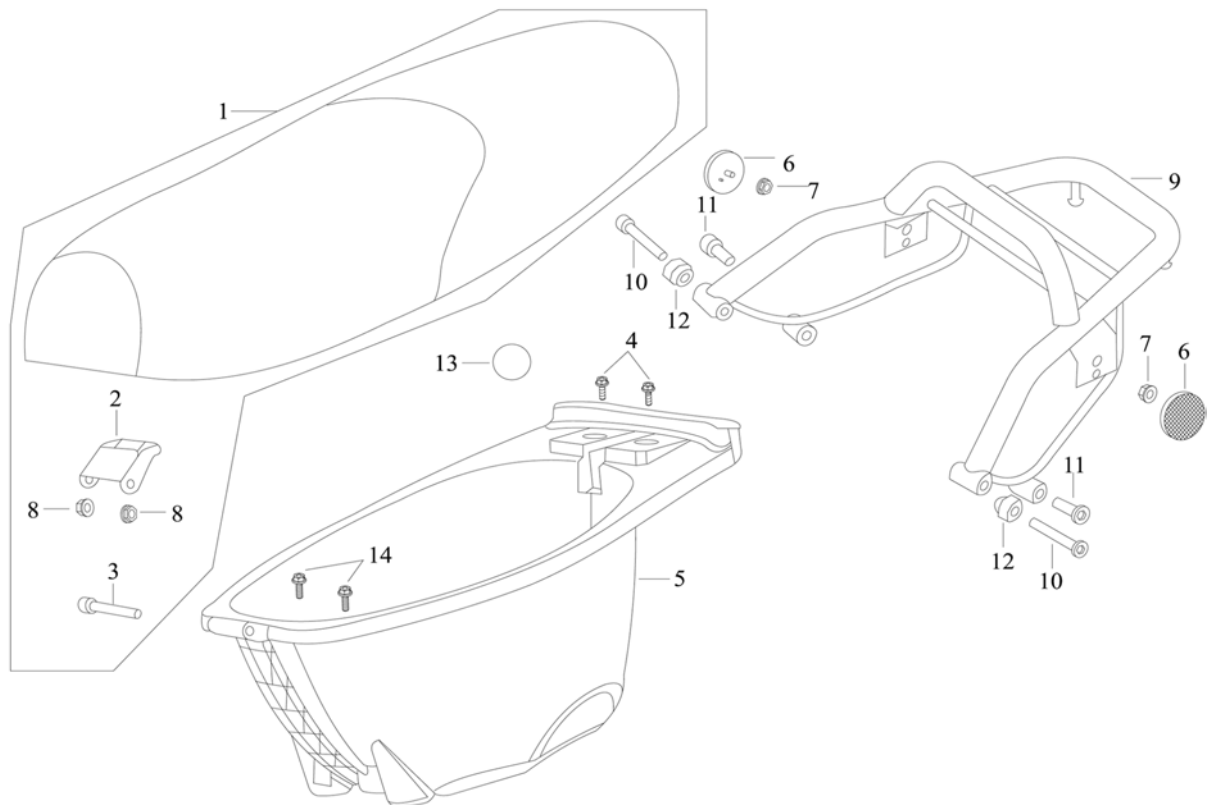
POS.	PART-NO.	DESCRIPTION	QTY	SRT
1	50100BM0T000	FUEL TANK COMP.	1	0,5
2	B01090601660	FLANGE BOLT 6X16	4	
3	50300BM0T000	FUEL COCK ASSY.	1	0,3
4	50301BM0T000	FUEL HOSE, 1 (4.5X8.5)	1	0,2
5	50316BM0T000	SPRING	1	0,3
6	50307BM0T000	CLIP 8mm	4	
7	50302BM0T000	VACUUM HOSE, 1 (4X8)	1	0,3
8	50306BM0T000	CLIP 7mm	2	
9	50303BM0T000	FUEL HOSE, 2 (4.5X8.5)	1	0,5
10	50340BMAT000	FUEL FILTER ASSY.	1	0,2
11	50800BM0T000	SENDER UNIT	1	0,5
12	50801BM0T001	BOLT 5X14	4	
13	50004BM0T000	SENDER UNIT GASKET	1	
14	50312J0ET000	SEAL RING	1	
15	B07020000500	WASHER 5	4	

F10

SEAT ASSY

POPCORN

EURO II



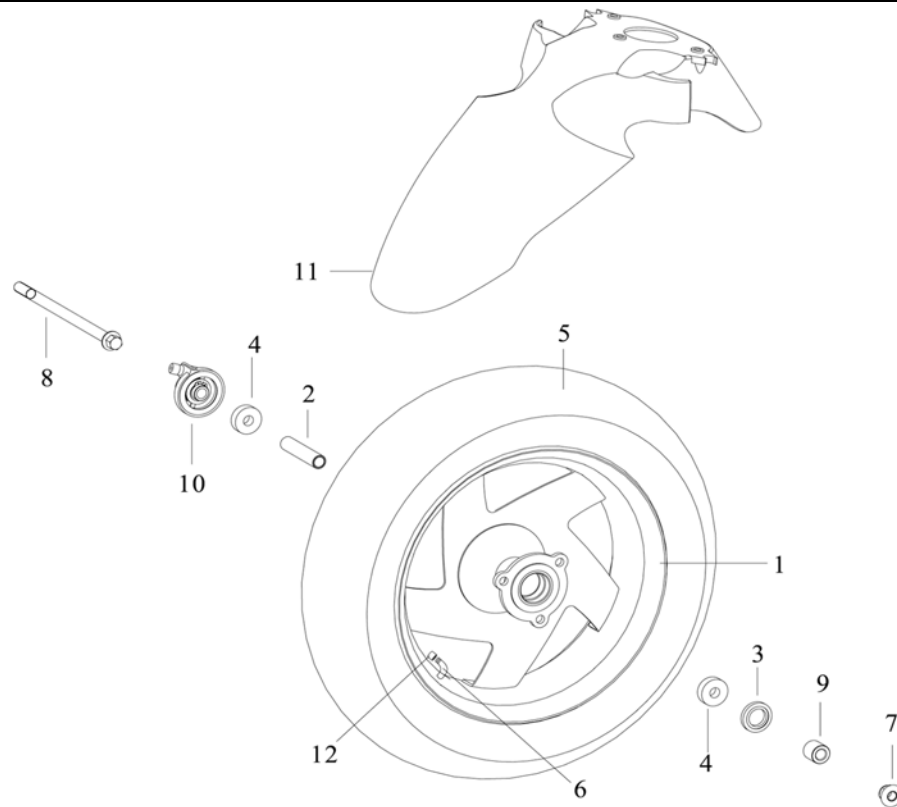
POS.	PART-NO.	DESCRIPTION	QTY	SRT
1	51100BM0T003	DOUBLE SEAT ASSY.	1	0,1
2	51080BM0T000	SEAT HINGE	1	0,1
3	51001BM0T000	SEAT HINGE BOLT	1	0,1
4	B01090601660	BOLT 6X16	2	
5	51004BM0T002	LUGGAGE BOX	1	0,1
6	86300BMAT000	REAR REFLECTOR, E-MARK	2	0,1
7	B04070600060	FLANGE NUT 6MM	2	
8	B04070600063	FLANGE NUT 6MM	2	
9	52100BM0T000	RR. LUGGAGE CARRIER COMP.	1	0,1
10	B02050605560	FLANGE BOLT M6X55	2	
11	B02050802060	FLANGE BOLT M8X20	2	
12	52009BM0T000	BUSH, REAR CARRIER	2	
13	08031BM0T000	O-RING 75X3,1	1	
14	B01090602060	BOLT 6X20	2	

F11

FRONT WHEEL

POPCORN

EURO II



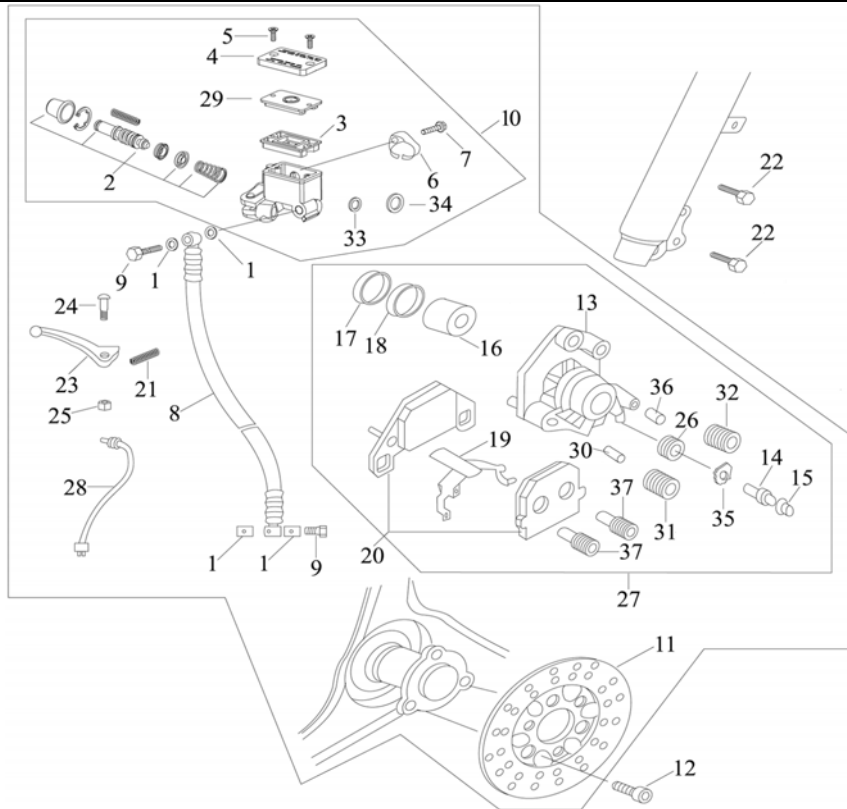
POS.	PART-NO.	DESCRIPTION	QTY	SRT
1	44100BM0TH90	RIM COMP.3.5x12" ALUMINIUM ALLOY SILVER	1	0,6
2	44600BM0T910	DISTANCE COLLAR COMP.	1	0,5
3	44300BM0T000	OIL SEAL 22X35X7	1	0,4
4	B12016020100	BALL BEARING 6201-2RS	2	0,5
5	B140107D12AB	TIRE 120/70-12 (E MARK)	1	0,5
6	B1403Z201100	RIM VALVE	1	0,5
7	B04171212560	FLANGE U NUT 12MM	1	
8	44004G4CT001	FR. WHEEL AXLE	1	0,2
9	44005BM0T000	FR. WHEEL L. COLLAR	1	0,2
10	44200BM0T000	SPEEDOMETER GEAR COMP.	1	0,2
11	65100BM0TB72	FRONT FENDER COMP. BLACK	1	0,2
11	65100BM0TLE2	FRONT FENDER COMP. ELECTRIC-BLUE	1	0,2
11	65100BM0TC12	FRONT FENDER COMP. SILVER	1	0,2
11	65100BM0TR62	FRONT FENDER COMP. RED	1	0,2
12	B1404Z2011C0	CAP, VALVE	1	

F12

FRONT BRAKE ASSY

POPCORN

EURO II



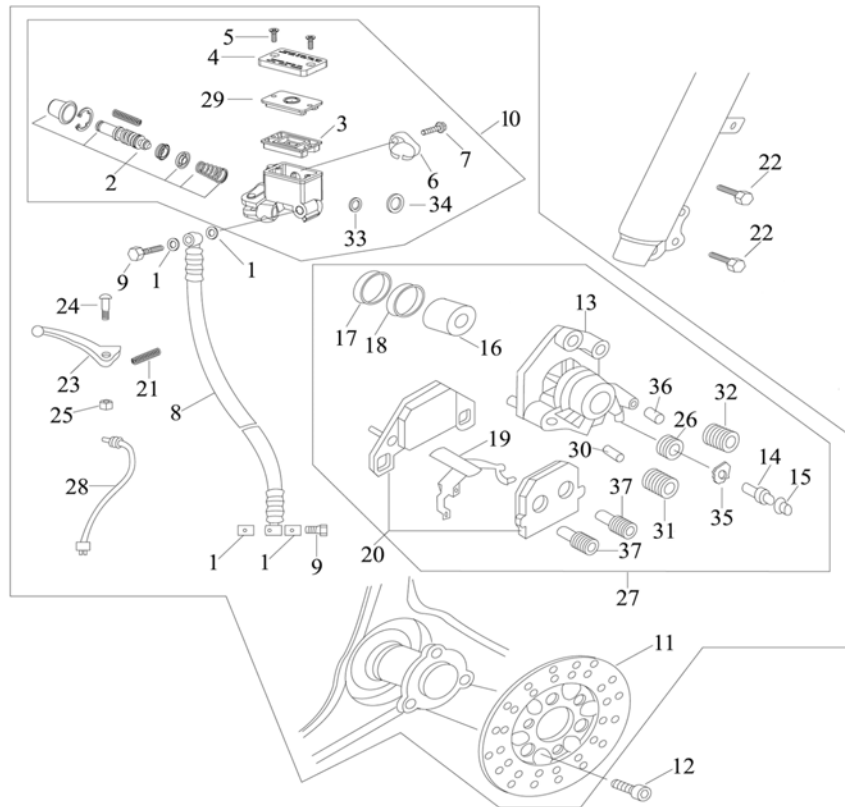
POS.	PART-NO.	DESCRIPTION	QTY	SRT
1	45029J00P000	PLATE WASHER	4	
2	45140J00P000	PISTON ASSY.	1	0,6
3	45011J1DT000	RESERVOIR DIAPHRAGM	1	0,1
4	45012BMBT000	RESERVOIR CAP	1	0,1
5	B02010401020	FLAT HEAD SCREW 4X10	2	
6	45023 J1DT 000	MASTER CYLINDER BRACKET	1	0,2
7	B01070602360	BOLT 6X23MM	1	
8	45200BMBT000	FR. BRAKE HOSE	1	0,7
9	45037J00P000	UNION BOLT	2	
10	45400BMBTB30	CYLINDER COMP.	1	0,5
11	45033BM0T001	BRAKE DISC	1	0,3
12	45036BMAT001	BOLT (STAINLESS STEEL)	3	
13	45062BMBT000	BLOCKING MASS	1	
14	45019J00P000	BREED SCREW	1	
15	45021 J00P000	BREED SCREW CAP	1	
16	45006J4FT000	OIL PLUG	1	0,4
17	45008J00P000	SEAL, OIL PLUG	1	
18	45007J3AT000	COVER, DUST SEAL	1	
19	45017G0CP000	PAD SUPPORT,1	1	0,2
20	45110J4FT000	BRAKE PAD KIT	1	0,2
21	45057G0KP000	TENSION SPRING,LEVER	1	
22	45039J4FT001	BOLT (STAINLESS STEEL)	2	
23	45022BMBT001	DISC BRAKE LEVER	1	0,1
24	40024J1CT000	BOLT 6MM	1	
25	B04160600060	NUT 6MM	1	
26	45015J1CT000	DUST COVER I, GUIDE POLE	1	
27	45500J4FTG10	CALIPER ASSY. GOLDEN	1	0,4
28	45300J3AT000	STOP SWITCH ASSY.	1	0,2
29	45013J1DT000	WASHER, CYLINDER	1	

F12

FRONT BRAKE ASSY

POPCORN

EURO II



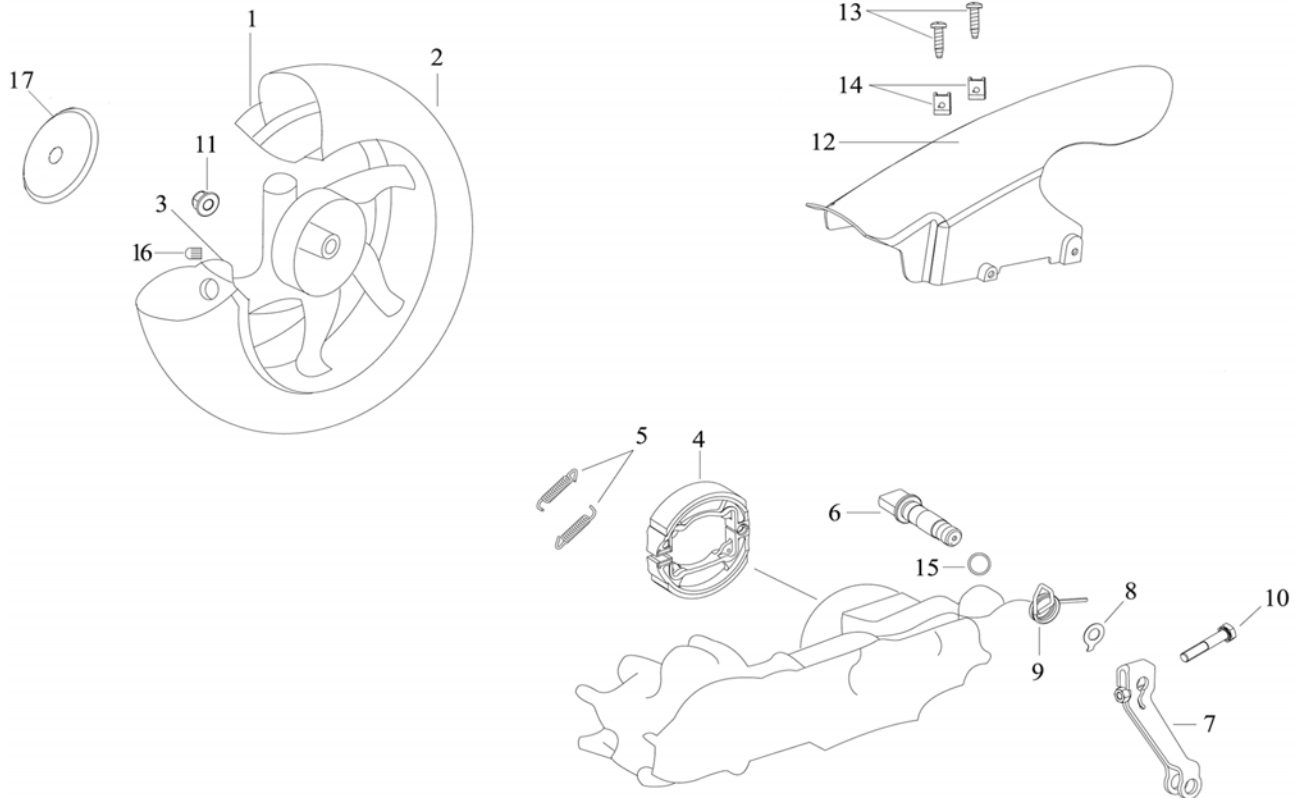
POS.	PART-NO.	DESCRIPTION	QTY	SRT
30	45014G0CT000	GUIDE AXLE	2	
31	45015K00P000	DUST COVER I, GUIDE POLE	1	
32	45016G0CP000	DUST COVER II, GUIDE POLE	1	
33	45170F00P000	MIRROR ASSY., OIL INSPECTION	1	
34	45031K00P000	SEAL, MIRROR	1	
35	B070600008000	WAVE WASHER	1	
36	45072G0CP000	GUIDE AXLE	1	
37	45053G0CP000	GUIDE POLE	2	

F13

REAR WHEEL

POPCORN

EURO II



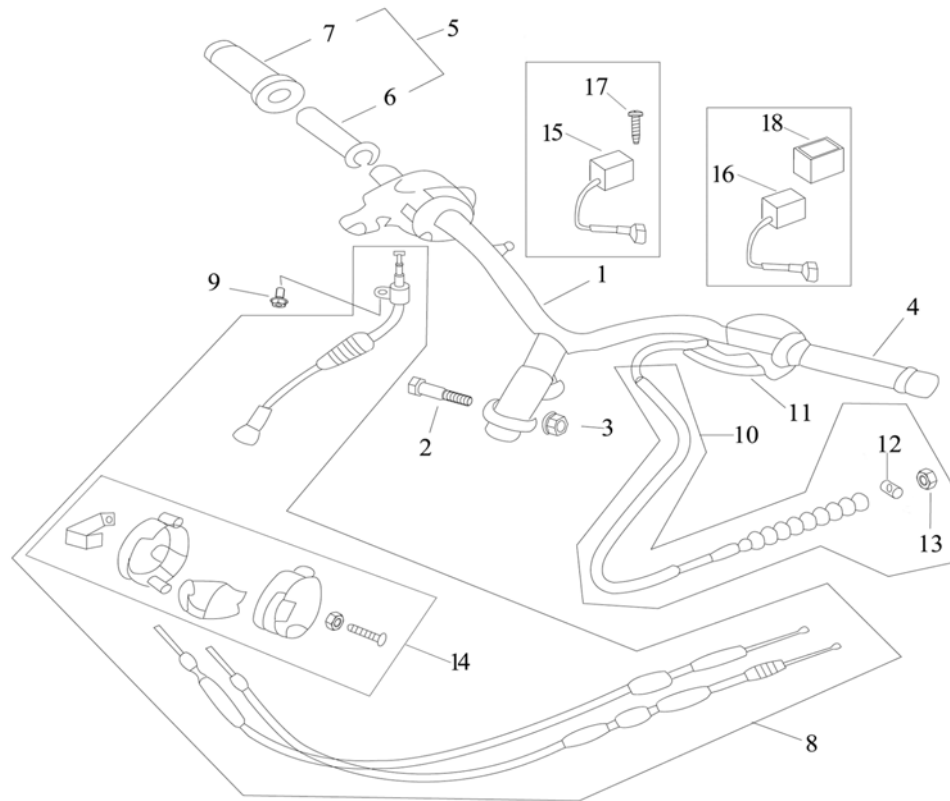
POS.	PART-NO.	DESCRIPTION	QTY	SRT
1	54100BM0TH90	RR. RIM COMP.3.5x12" ALUMINIUM ALLOY SILVER	1	0,6
2	B140108D12BB	TIRE 130/70-12 (E MARK)	1	0,6
3	B1403Z201100	RIM VALVE Z2-01-1	1	0,6
4	54200BMAT000	BRAKE SHOE KIT	2	0,5
5	54001B0DT000	SPRING(BLACK)	2	0,5
6	54003BM0T000	CAM SHAFT, 2	1	0,6
7	54007BM0T000	CAM SHAFT LEVER, 2	1	0,1
8	54002BM0T000	INDICATOR PLATE	1	0,1
9	54008BM0T000	TENSION SPRING	1	0,1
10	08012BM0T001	HEX. BOLT 6X30 (STAINLESS STEEL)	1	
11	B04171615063	U NUT 16X1.5MM	1	
12	65701BMBT000	REAR FENDER	1	0,1
13	B01090602060	BOLT M 6X12MM	2	0,1
14	65803J0ET000	SPRING NUT 6MM	2	
15	54021BM0T000	O-RING	1	
16	B1404Z2011C0	CAP, VALVE	1	
17	54027BM0T000	CAP	1	

F14

CABLE STEERING HANDLE

POPCORN

EURO II



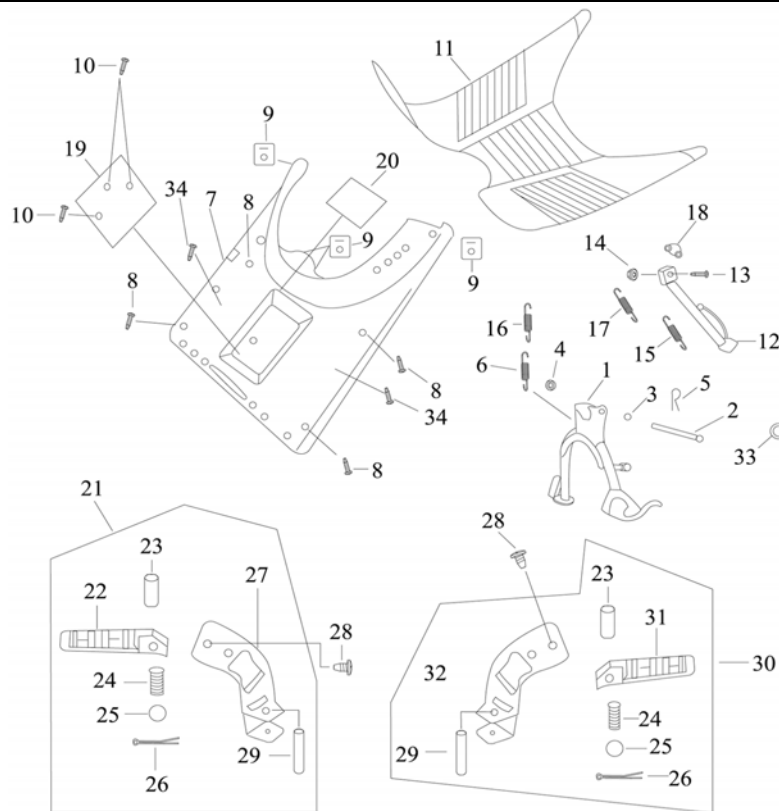
POS.	PART-NO.	DESCRIPTION	QTY	SRT
1	40100BM0T002	HANDLE COMP.	1	0,6
1	40100BM0T003	HANDLE COMP.	1	0,6
2	B01091004565	FLANGE BOLT M10X1.25X45	1	
3	B04171012565	U NUT M10X1.25MM	1	
4	40001BMBT000	L. GRIP	1	
5	40210BMBT000	R. GRIP ASSY.	1	0,1
6	40211BMBT000	R. GRIP	1	0,1
7	40212BMBT000	THROTTLE GUIDE TUBE	1	0,1
8	40300BM0T001	CABLE ASSY. THROTTLE	1	
9	40008BM0T000	JACKET,RR. BRAKE CABLE	1	
10	B02000501020	PAN HEAD SCREW M5X10	1	0,7
11	40270BMBT000	BRAKE CABLE ASSY.	1	0,6
12	40273BM0T000	PIN,STOPPER □ GOLD COLORED □	1	
13	40271BM0T000	NUT, ADJUSTING □ GOLD COLORED □	1	
14	40340BM0T001	JUNCTION BOX	1	
15	97900BMBT000	TEMPERATURE CONTROL	1	
16	97900BMBT001	TEMPERATURE CONTROL	1	
17	B01090601460	PAN HEAD SCREW M 6x14	1	
18	97910BMBT000	LATEX COVER	1	

F15

STAND FOOTREST

POPCORN

EURO II

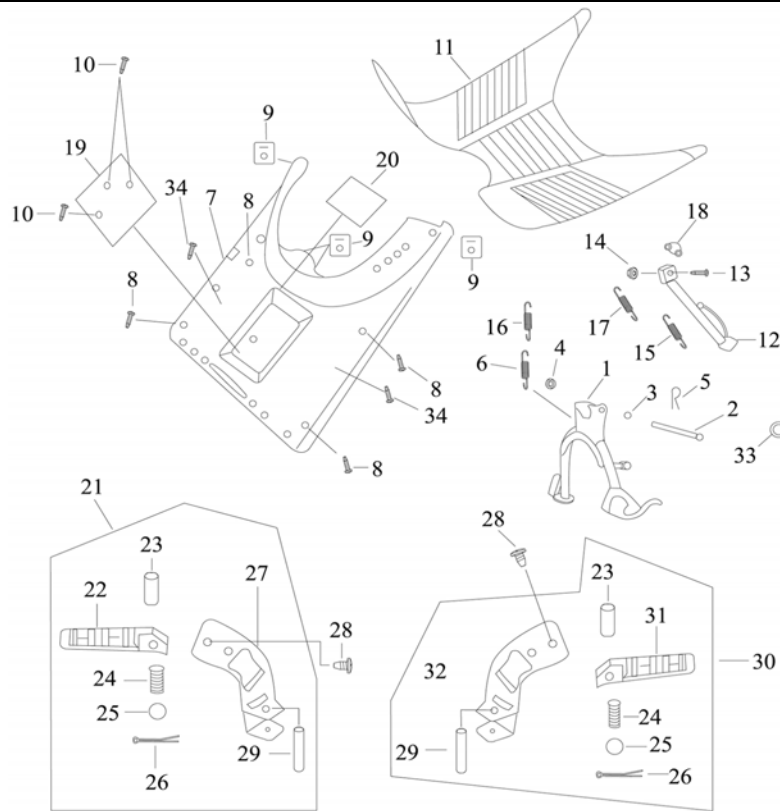


POS.	PART-NO.	DESCRIPTION	QTY	SRT
1	58520BM0T002	MAIN STAND COMP.	1	0,2
2	58590BM0T000	PIN	1	0,2
3	B190101000A0	O-RING 10X1.8	1	
4	58508B0DT000	PLATE WASHER	1	
5	63016B0DT001	PIN 1.2X22 (STAINLESS STEEL)	1	
6	58502BM0T001	TENSION SPRING, 1, MAIN STAND	1	0,1
7	65401BM0T000	FLOOR	1	0,5
8	08017J4AT001	BOLT W/WASHER M6X20	4	
9	65802BMAT000	SPRING NUT 5MM	4	
10	B05075001200	TAPPING SCREW 5X12	3	
11	65415BM0T001	MAT, 1	1	0,1
12	58700BM0T000	SIDE STAND COMP.	1	0,2
13	57005BMBT001	BOLT (STAINLESS STEEL)	1	
14	B04070800060	U NUT 8MM	1	
15	57003BM0T001	TENSION SPRING, 1, SIDE STAND	1	0,1
16	58512BM0T001	TENSION SPRING, 2, MAIN STAND	1	0,1
17	57004BM0T001	TENSION SPRING, 2, SIDE STAND	1	0,1
18	57006BM0T000	HOOK	1	0,1
19	65813BM0T000	BATTERY COVER	1	0,1
20	65811BM0T000	BATTERY DAMPER	1	
21	58280BM0T000	R.H. RR. FOOTREST COMP.	1	0,2
22	58286BMAT000	R.H. RR. FOOTREST	1	0,1
23	58264BMAT000	COLLAR	2	
24	58262BMAT000	SPRING	2	
25	B06010200000	STEEL BALL Ø 6,35 MM	2	
26	B090018018A0	COTTER PIN	2	
27	58310BM0T000	R.H FOOTREST BRKT.	1	0,2
28	B01090802060	FLANGE BOLT	2	
29	58213BMAT000	PIN	2	

F15

STAND FOOTREST

**POPCORN
EURO II**



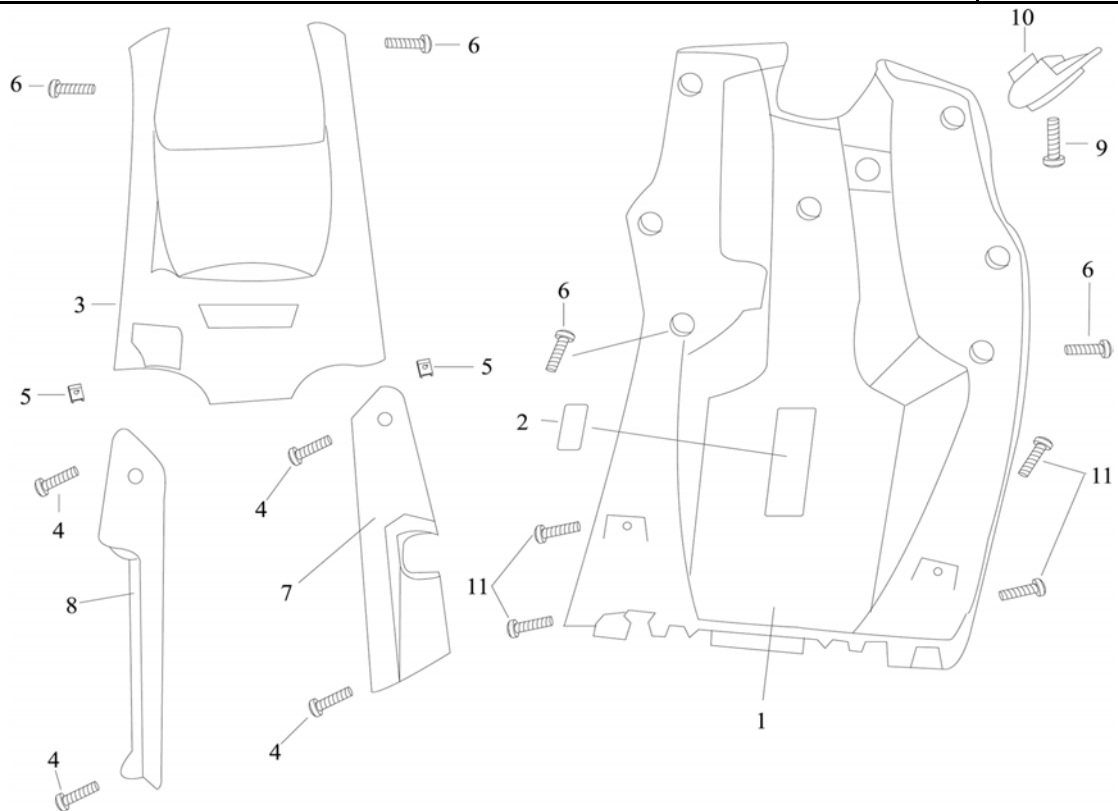
POS.	PART-NO.	DESCRIPTION	QTY	SRT
30	58260BM0T000	L.H. RR. FOOTREST COMP.	1	0,2
31	58266BMAT000	L.H. RR. FOOTREST	1	0,1
32	58210BM0T000	L.H. FOOTREST BRKT.	1	0,2
33	58507BM0T000	DAMPER	1	
34	B05075001600	TAPPING SCREW	2	

F16

LEG SHIELD

POPCORN

EURO II



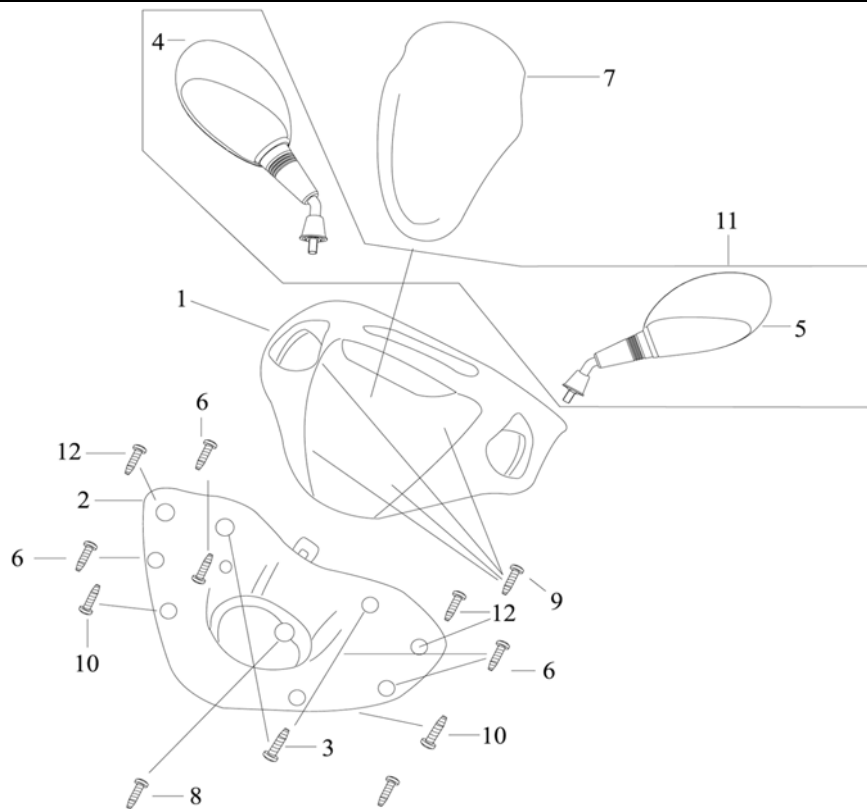
POS.	PART-NO.	DESCRIPTION	QTY	SRT
1	65402BM0T000	LEG SHIELD, 2	1	0,5
2	65403BM0T000	INSPECT COVER	1	
3	65406BM0T000	UNDER COVER 1	1	0,2
4	B05075001600	TAPPING SCREW 5X16	4	
5	65802BMAT000	SPRING NUT 5MM	2	
6	B01090601260	FLANGE BOLT 6X12	4	
7	65408BM0T000	UNDER COVER 2, LEFT	1	0,1
8	65409BM0T000	UNDER COVER 3, RIGHT	1	0,1
9	B01090602560	BOLT	1	
10	51011BM0T000	HOOK, HELMET	1	
11	B05074801600	TAPPING SCREW 4.8X16	4	

F17

COWLING

POPCORN

EURO II

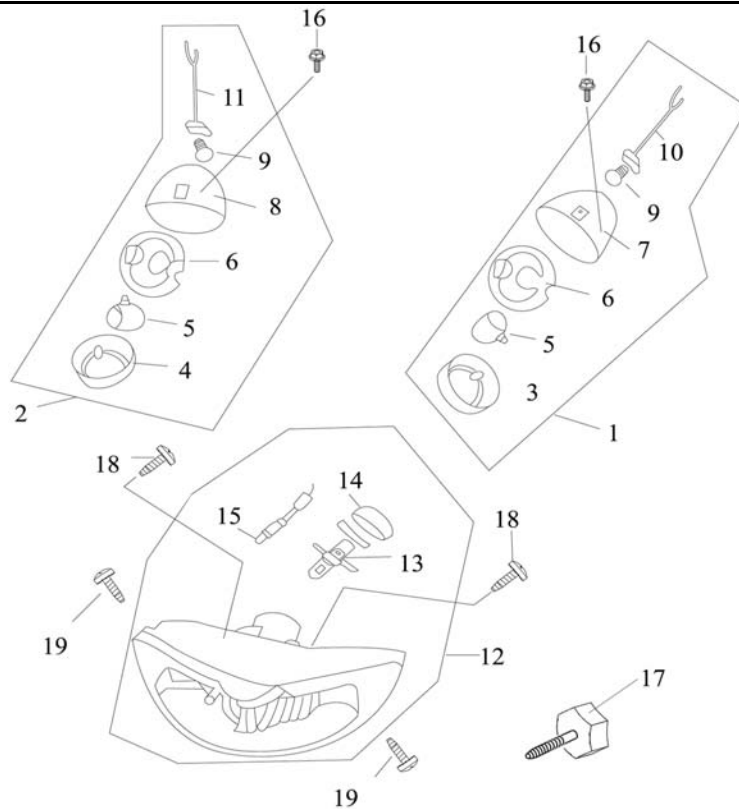


POS.	PART-NO.	DESCRIPTION	QTY	SRT
1	65201BMBTB73	HANDLE COVER, 1 BLACK	1	0,3
1	65201BMBTLE3	HANDLE COVER, 1 ELECTRIC-BLUE	1	0,3
1	65201BMBTC13	HANDLECOVER,1 SILVER	1	0,3
1	65201BMBTR63	HANDLECOVER,1 RED	1	0,3
2	65202BM0T002	HANDLE COVER, 2	1	0,6
3	B05075001600	TAPPING SCREW 5X16	2	
4	40470BMBT001	REAR VIEW MIRROR RIGHT	1	0,1
5	40460BMBT001	REAR VIEW MIRROR LEFT	1	0,1
6	B05074001600	TAPPING SCREW 4X16	2	
7	65203BMBT000	METER VISION ASSY.	1	
8	B13010501400	SCREW 5X14	1	
9	B05073001000	TAPPING SCREW 3X10	4	
10	B05075001200	TAPPING SCREW 5X12	2	
11	40450BMBT001	REAR VIEW MIRROR ASSY. (E-MARK)	1	0,1
12	B05074001200	TAPPING SCREW 4X12	2	

F18

FRONT FLASHER LIGHT - HEAD LIGHT

POPCORN



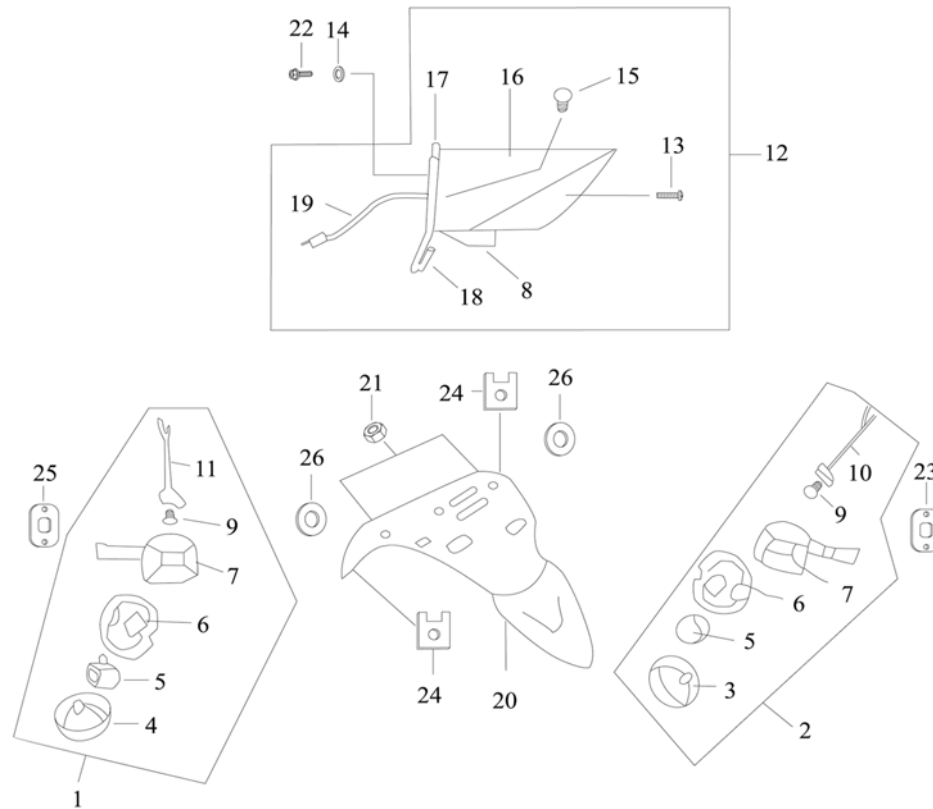
POS.	PART-NO.	DESCRIPTION	QTY	SRT
1	81100BMBT000	FLASHER LIGHT COMP., 1(E MARK)	1	0,3
2	81300BMBT000	FLASHER LIGHT COMP., 2(E MARK)	1	0,3
3	81102BM0T000	LIGHT COVER, L.	1	0,1
4	81302BM0T000	LIGHT COVER, R.	1	0,1
5	81107BM0T000	INNER COVER	2	0,1
6	81105BM0T000	BOWL, REFLEX LIGHT	2	
7	81101BM0T000	F. L. BULB BASE	1	
8	81301BM0T000	F. R BULB BASE	1	
9	81501H70X000	BULB, 12V/10W	2	0,1
10	81110BM0T000	WIRE COMP. F. L. FLASHER	1	
11	81310BM0T000	WIRE COMP. F. R. FLASHER	1	
12	80000BM0T000	HEAD LIGHT COMP. (E MARK)	1	0,4
13	80002BM0T000	BULB12V-35/35W	1	0,2
14	80007BM0T000	HEAD LIGHT BASE	1	
15	80023JL0T000	BULB 12V/5W	1	0,2
16	B13140501400	SCREW W/WASHER 5X14	2	
17	80018BM0T000	ADJUSTING SCREW	1	
18	B05075001200	TAPPING SCREW 5X12	2	
19	B05075001600	TAPPING SCREW 5X16	2	

F19

TAIL LIGHT

POPCORN

EURO II



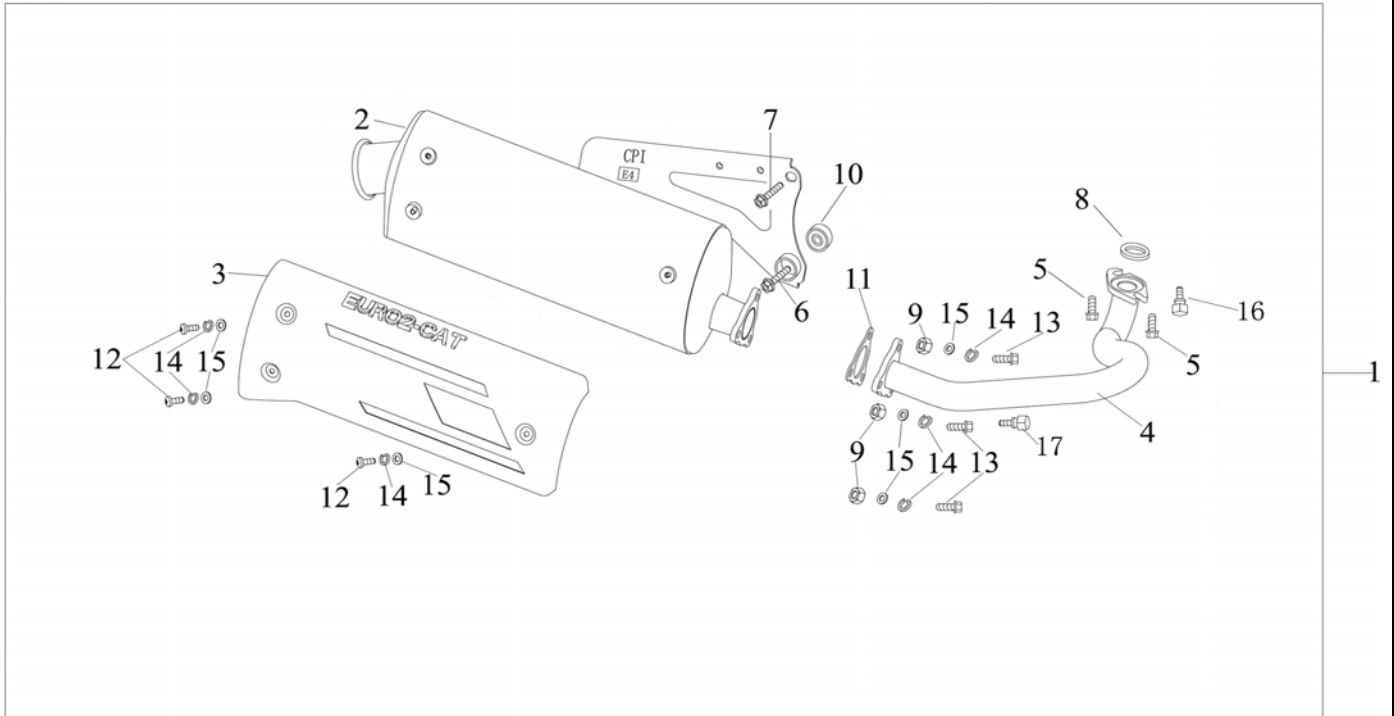
POS.	PART-NO.	DESCRIPTION	QTY	SRT
1	81700BMBT000	FLASHER LIGHT COMP., 2 RIGHT (E MARK)	1	0,5
2	81500BMBT000	FLASHER LIGHT COMP., 1 LEFT (E MARK)	1	0,5
3	81102BM0T000	LIGHT COVER, RIGHT	1	0,1
4	81302BM0T000	LIGHT COVER, LEFT	1	0,1
5	81107BM0T000	INNER COVER	2	0,1
6	81105BM0T000	BOWL, REFLEX LIGHT	2	
7	81502BM0T000	BULB BASE	2	
8	82503BM0T000	LICENSE LIGHT SLICE	1	
9	81501H70X000	BULB, 12V/10W	2	0,1
10	81510BM0T000	WIRE COMP. F. L. FLASHER	1	
11	81710BM0T000	WIRE COMP. F. R. FLASHER	1	
12	82000BM0T000	TAIL LIGHT COMP. (E MARK)	1	0,4
13	B05074002000	TAPPING SCREW 4X20	2	
14	82011G00P000	RUBBER WASHER	3	
15	82005JL0T000	BULB 12V 21/5W	1	0,1
16	82008BM0T000	INDICATOR LENS	1	
17	82003BM0T000	TAIL LIGHT BASE	1	
18	86502BM0T000	RR REFLECTOR (E MARK)	1	
19	82900BM0T000	WIRE COMP. TAIL LIGHT	1	
20	08202BM0T000	LICENSE BRACKET	1	0,6
21	B04061012550	NUT10X1.25	2	
22	B04070600060	FLANGE NUT 6MM	3	
23	81511BM0T000	FLASHER LIGHT CUSHION	1	
24	65802BM0T000	SPRING NUT 5MM	2	
25	81708BM0T000	FLASHER LIGHT CUSHION	1	
26	B07030001000	WASHER 10	2	

F20

MUFFLER ASSY

POPCORN

EURO II



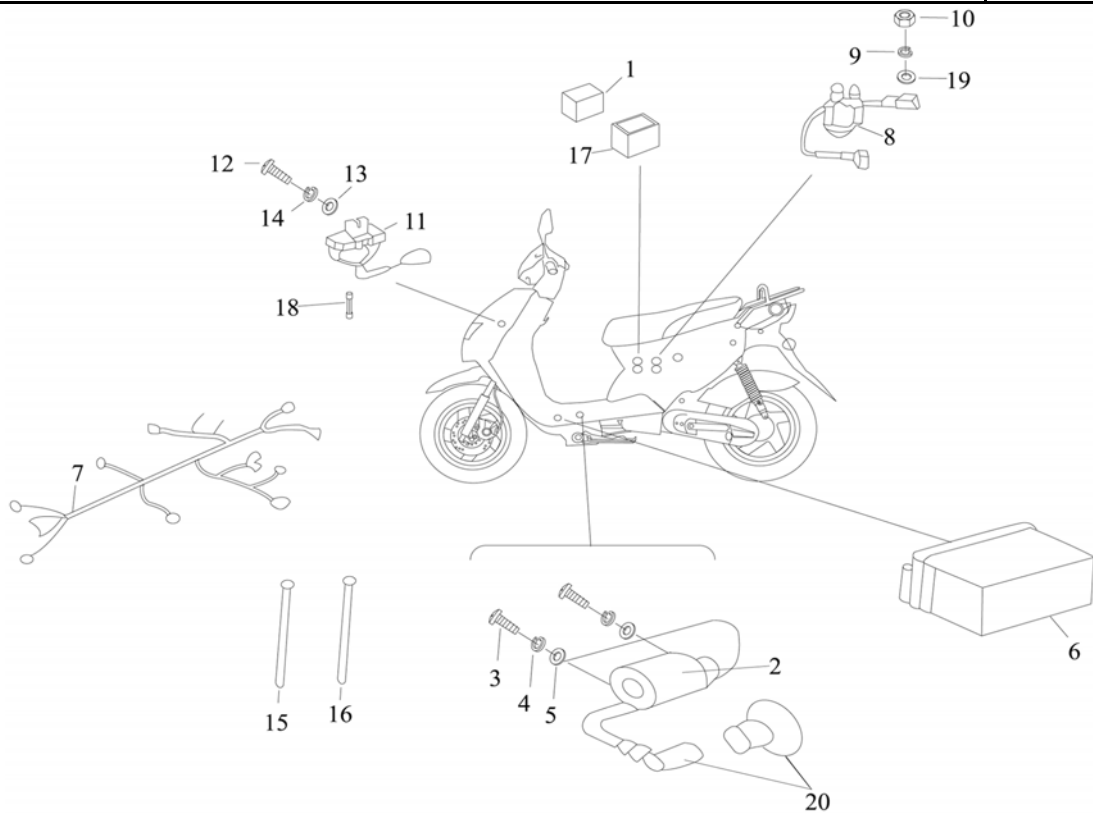
POS.	PART-NO.	DESCRIPTION	QTY	SRT
1	47000BMBT000	MUFFLER ASSY.	1	0,2
2	47200BMBT000	MUFFLER JOINTING COMP.	1	0,4
3	47023BMBT000	MUFFLER.COVER, DECORATION	1	0,1
4	47500BMBT000	EXHAUST PIPE COMP. 45 KM/H	1	0,2
4		EXHAUST PIPE COMP. 30 KM/H	1	0,2
4	47500BMBT002	EXHAUST PIPE COMP. 58 KM/H	1	0,2
4	47500BMBT003	EXHAUST PIPE COMP. 25 KM/H	1	0,2
5	B01090601660	BOLT 6X16MM	2	
6	B01090803560	BOLT 8X35MM	1	
7	B01090802060	BOLT 8X20MM	1	
8	47800BMBT001	GROMMET, EXHAUST PIPE	1	0,2
9	B04000600060	NUT 6MM	3	
10	47800B0ET000	WASHER ASSY., FIXING	1	
11	47740BMBT000	GASKET, FLANGE	1	0,2
12	B02000601060	SCREW 6X10MM	3	
13	B02050602560	SCREW 6X25MM	3	
14	B070000000600	SPRING WASHER 6	6	
15	B070300000600	WASHER 6	6	
16	B01090601660	ONE WAY SCREW M6X16 25/30 KM/H	1	
17	B02050602560	ONE WAY SCREW M6X25 25/30 KM/H	1	

F21

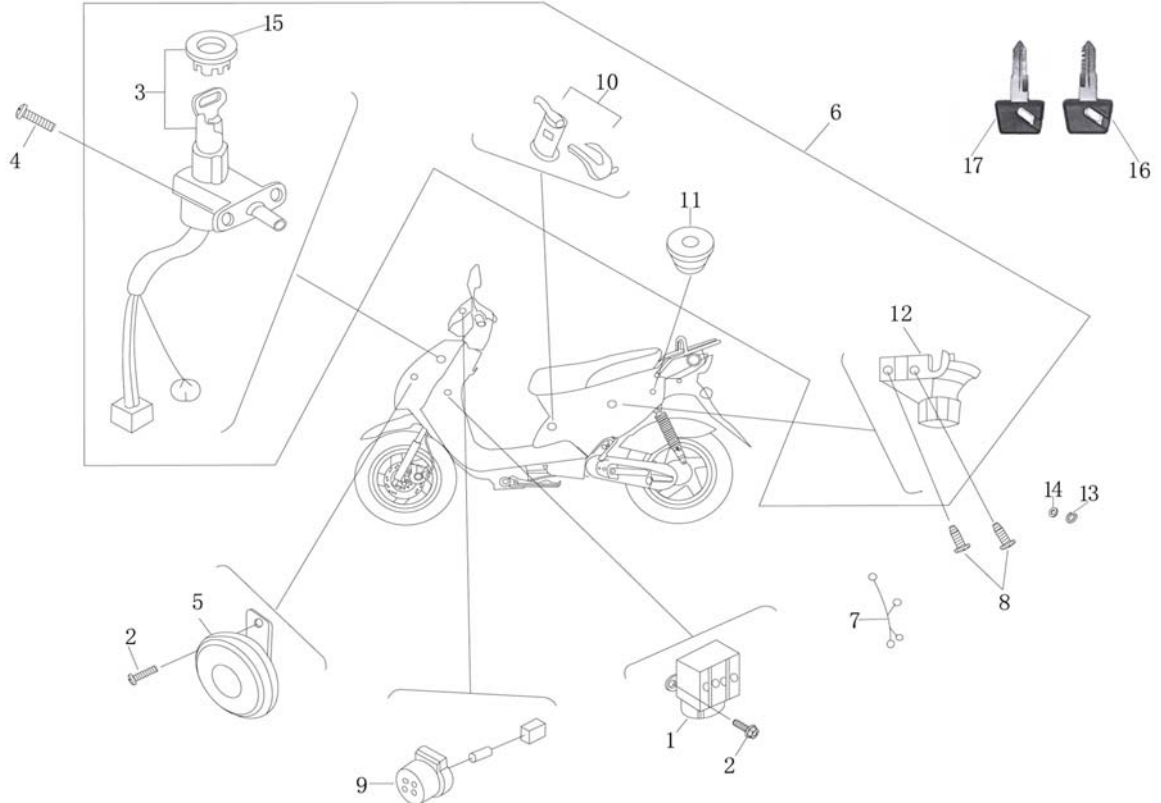
ELECTRICAL EQUIPMENT I

POPCORN

EURO II



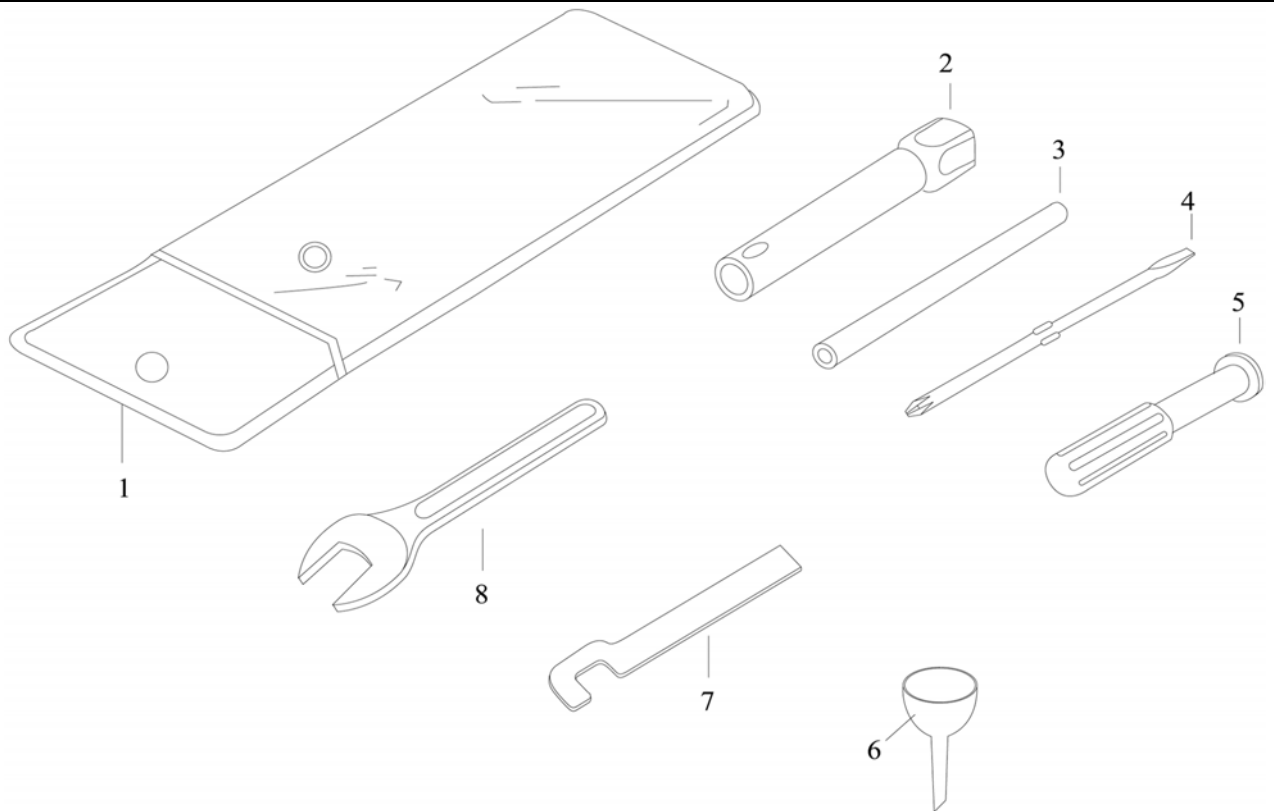
POS.	PART-NO.	DESCRIPTION	QTY	SRT
1	97701BM0T001	C.D.I. UNIT COMP.	1	0,2
2	96200BMAT000	IGNITION COIL COMP.	1	0,6
3	B02000502020	HEX. BOLT M5X20	1	
4	B07030000500	PLATE WASHER 5MM	1	
5	B07000000500	SPRING WASHER 5MM	1	
6	96100BM0T000	BATTERY COMP.	1	0,2
7	92000BM0T002	WIRE HARNESS COMP.	1	1,5
7	92000BM0T003	WIRE HARNESS COMP.	1	1,5
8	94008B0DT000	STARTER RELAY COMP.	1	0,2
9	B07000000600	SPRING WASHER 6MM	1	
10	B04000600060	NUT M6MM	1	
11	96600BMAT000	RESISTOR COMP.	1	0,3
12	B02000601220	PAN HEAD SCREW M6X12	1	
13	B07030000600	PLATE WASHER 6MM	1	
14	B07000000600	SPRING WASHER 6MM	1	
15	96001K00P000	BAND 250MM	3	
16	96002K00P000	BAND 150MM	1	
17	96007BM0T000	CUSHION, C.D.I.	1	0,1
18	96800BMAT000	FUSE 8AH 250V	1	0,1
19	B07030000600	WASHER 6MM	1	
20	96201BMAT000	COVER, IGNITION COIL	1	



POS.	PART-NO.	DESCRIPTION	QTY	SRT
1	98801B09F000	REGULATOR COMP.	1	0,3
2	B01090601260	BOLT M 6X12	2	
3	88100BM0T000	MAIN SWITCH COMP.	1	0,5
4	08001BMDT001	SCREW M 6X12	2	
5	95000BMDT000	HORN (E MARK)	1	0,2
6	88000BM0T000	LOCK COMP.	1	1,0
7	96900BM0T000	EARTH WIRE	1	0,2
8	B13010501400	BOLT W/WASHER 5X14	2	
9	96500BM0T000	AUDIO PILOT COMP.	1	0,2
10	88500BM0T000	SIDE COVER 3 LOCK	1	0,1
11	88400BM0T000	FUEL TANK LOCK	1	
12	88800BM0T000	SEAT LOCK	1	0,5
13	B07000000600	SPINGE WASHER 6	1	
14	B07030000600	PLATE WASHER 6	1	
15	88101BM0T000	COVER MAIN SWITCH	1	0,1
16	88900BM0T000	KEY BLANC NUT LEFT	1	
17	88900BMBT000	KEY BLANC NUT RIGHT	1	

F23

TOOLS ASSY

POPCORN
EURO II

POS.	PART-NO.	DESCRIPTION	QTY	SRT
1	02110BM0T000	TOOL BAG	1	
2	02102BM0T000	SPARK PLUG SOCKET	1	
3	02101BM0T000	SPARK PLUG SOCKET HANDLE	1	
4	02103BM0T000	SCREW DRIVER	1	
5	02104BM0T000	HANDLE	1	
6	02114BM0T000	FILTER, OIL TANK	1	
7	02115BM0T000	RR. ABSORBER ADJUSTER	1	
8	02117BMBT000	WRENCH 35	1	

INDEX [E]

PARTNUMBER	DESCRIPTION	PICTURE	POS
05561BM0T000	STICKER "E4"	E5	12
08351BM0TC10	STARTING SHAFT SILVER	E8	21
14108B09F00B	L CRANKCASE COVER	E7-1	11
14109B09F000	GASKET,L CRANKCASE	E7-1	10
14148B09F000	AIR DUCT-INLET	E7-2	35
14149B09F000	AIR DUCT-OUTLET	E7-2	34
14150B09F000	FILTER ASSY	E7-2	36
15100B09F00C	PISTON ASSY	E2	10
15101B01F000	WOODRUFF KEY	E2	5
15103B09F000	PISTON RING ASSY	E2	12
15105B16F000	PISTON PIN	E2	11
15106G02F910	CIRCLIP	E4	11
15110B16F000	NEEDLE BEARING	E2	14
15111G02F000	CIRCLIP	E2	13
15112G02F010	WASHER SPRING	E9-1	24
15114B01F000	NEEDLE BEARING	E2	3
15200B16F000	CRANKCHAFT ASSY	E2	1
15202B01F000	CRANK PIN	E2	2
15204B16F000	CONNECTING SHAFT	E2	4
15211G02F000	PUMP DRIVE GEAR	E4	13
15213G02F000	OIL SEAL	E2	7
15214G02F000	COLLAR	E2	9
17300B09F000	SHAFT, REAR BOX	E12	4
17308G02F000	CIRCLIP D42	E2	15
17317B09F000	OIL SEAL	E12	6
17400G02F00B	SHAFT, KICK STARTER	E8	11
17407G02F000	SPRING	E8	12
17413G02F00B	BUSH	E8	13
17415G02F000	KICK PINION ASSY	E8	16
17418G02F930	CLIP	E8	17
17422G02F000	WASHER , KICK STARTER	E8	14
17732J01F000	THRUST WASHER	E12	3
17800B09F000	IDLE SHAFT	E12	1
18100B09F000	MISSION CASE GASKET	E7-2	30
18101B09F000	MISSION CASE	E7-2	31
19000B09F001	OIL PUMP ASSY	E4	1
19212B09F000	HOSE	E4	7
19213G02F00A	HOSE CLIP	E4	8
19216B09F000	HOSE	E4	9
19217G02F00A	HOSE CLIP	E4	10
20102G02F000	PLATE	E3	11
20201B09F000	COWLING FAN	E3	3
20206G02F000	MOLD COWLING A	E3	12
20208B09F000	COLLOR	E3	13
20208G02F000	MOLD COWLING B	E3	16
20209B09F000	COVER	E3	14
20301B01F000	COWLING CYLINDER	E3	1
20303G02F000	GROMMET	E3	2

INDEX [E]

PARTNUMBER	DESCRIPTION	PICTURE	POS
20401B01F000	FAN ASSY	E3	6
20402G02F000	RUBBER RING	E3	7
24101B09F000	FACE,MOVABLE DRIVE	E9-1	14
24102B09F00A	ROLLER 25/30/45 KM/H 6,3 GR.	E9-1	15
24102B09F01B	ROLLER 58 KM/H 5,8 GR.	E9-1	15
24103G02F000	PLATE,MOVABLE DRIVE	E9-1	16
24104G02F000	DAMPER	E9-1	17
24105G02F000	COLLER	E9-1	18
24106B01F000	WASHER	E9-1	19
24106B09F00E	WASHER 25 KM/H 8,2MM THICKNESS	E9-1	3
24106B09F00F	WASHER 45 KM/H 3,2MM THICKNESS	E9-1	3
24106B09F00G	WASHER 30 KM/H 4,0MM THICKNESS	E9-1	3
24107G02F000	V BELT DRIVE	E9-1	20
24108B09F000	FACE FIXED DRIVE	E9-1	21
24109G02F000	PLATE WOODRUFF KEY	E9-1	22
24110G02F000	STARTING DISC	E9-1	23
24201B01F000	DRIVEN PULLY AND CLUTCH ASSY	E9-1	2
24201B09F000	PRIMARY DRIVE GEAR	E9-1	1
24203B09F000	OIL SEAL	E9-1	6
24204G02F000	FACE FIXED DRIVEN	E9-1	26
24205G02F000	FACE,MOVABLE DRIVEN	E9-2	27
24206G02F000	OIL SEAL	E9-2	28
24207G02F000	O-RING	E9-2	29
24208G02F000	PIN, GUIDE	E9-2	30
24209G02F000	O-RING	E9-1	12
24301G02F000	CLUTCH ASSY,SHOE	E9-1	7
24302G02F000	SPRING	E9-1	8
24303G02F000	BEARING	E9-1	13
24304G02F000	NUT	E9-1	9
24305G02F940	NUT	E9-1	11
24308G02F000	SPRING	E9-2	31
24309G02F930	SEAT, SPRING	E9-2	32
24700G02F000	HOUSING	E9-1	10
26102G02F000	O RING	E7-1	18
26107B01F910	STUD BOLT M7X109	E1	6
26108G02F000	GROMMET	E7-1	2
26109B09F000	AXLE, ENGINE MOUNT	E7-1	8
26111B09F001	CRANKCASE, LH	E7-1	1
26121G02F000	FLANGE BOLT	E7-1	19
26123G02F000	DOWEL PIN	E7-1	6
26123G02F000	DOWEL PIN	E7-1	29
26124G02F000	PLATE WASHER	E7-1	20
26127G02F00B	ONE WAY NUT M7 25/30 KM/H	E1	7
26127G02F910	NUT M7	E1	7
26128G02F000	IDLE GEAR	E7-1	12
26128G02F000	IDLE GEAR SHAFT	E8	6
26142G02F000	BRAKE SHOE ANCHOR PIN ASSY	E7-1	5
26143G02F000	O-RING	E7-1	28
26202G02F000	OIL PLUG	E7-1	17
26208G02F000	DOWEL PIN	E7-1	13

INDEX [E]

PARTNUMBER	DESCRIPTION	PICTURE	POS
26211B09F001	CRANKCASE,RH	E7-1	4
26214B09F000	BEARING HOLDER	E7-1	26
26214G02F910	OIL SEAL HOLDER	E7-1	21
26215G02F000	OIL SEAL ASSY	E2	8
26216G02F000	GASKET	E7-1	23
27101B09F00B	CYLINDER	E1	4
27102B01F000	GASKET CYLINDER	E1	5
30506B09F00B	SPEAK PLUG	E1	3
30507B01F000	GASKET CYLINDER HEAD	E1	2
30701B09F00B	CYLINDER HEAD	E1	1
32200G02F000	INTAKE PIPE	E6-2	40
32202B09F000	CLIP 25KM/H	E6-2	41
32206B01F000	SCREW	E6-2	42
32300G02F000	REED VALVE ASSY	E11	1
32312G02F000	VALVE SEAT GASKET	E11	2
32500B01F21C	CARBURETOR ASSY 25 KM/H	E6-2	43
32500B01F22C	CARBURETOR ASSY 30 KM/H	E6-2	43
32500B01F23D	CARBURETOR ASSY 45 KM/H	E6-2	43
32500B01F24E	CARBURETOR ASSY 58 KM/H	E6-2	43
32501B01F910	FIX SCREW	E6-1	1
32502B01F910	INSTRANT PIPE	E6-1	2
32503B01F223	SCREW	E6-1	3
32505B01F000	CAP	E6-1	5
32506B01F000	GASKET	E6-1	6
32507B01F000	RETURN SPRING	E6-1	7
32508B01F000	CLIP,V SHAPE	E6-1	8
32510B01F000	NEEDLE, JET	E6-1	10
32511B01F000	VALVE,PISTON 45/30/58 KM/H	E6-1	11
32511B01F00B	VALVE,PISTON 25 KM/H	E6-1	11
32601B01F000	SCREW, IDLE SPEED	E6-1	12
32602B01F000	SPRING, SPEED SCREW	E6-1	13
32603B01F000	WASHER, SPEED SCREW	E6-1	14
32604B01F000	O RING, SPEED SCREW	E6-1	15
32605B01F000	SCREW, AIR	E6-1	16
32606B01F000	SPRING, AIR SCREW	E6-1	17
32607B01F000	WASHER, AIR SCREW	E6-1	18
32608B01F000	O RING, AIR SCREW	E6-1	19
32609B01F00C	IDLE JET	E6-1	20
32610B01F00C	MAIN JET 45 25/30 KM/H	E6-1	21
32610B01F00D	MAIN JET 47,5 45 KM/H	E6-1	21
32610B01F00E	MAIN JET 57,5 58 KM/H	E6-1	21
32611B01F00B	NEEDLE JET 45/30/58 KM/H	E6-1	22
32612B01F000	THERMO ASSY	E6-1	23
32615B01F000	O-RING	E6-1	26
32616B01F000	CARBURETOR BODY	E6-2	27
32617B01F000	NEEDLE VALVE	E6-2	28
32618B01F000	HOOK	E6-2	29
32619B01F000	PIN, FLOAT	E6-2	30
32620B01F000	FLOAT	E6-2	31
32701B01F000	GASKET	E6-2	32

INDEX [E]

PARTNUMBER	DESCRIPTION	PICTURE	POS
32702B01F000	FLOAT CHAMBER	E6-2	33
32703B01F000	SCREW	E6-2	34
32706B01F000	CLIP	E6-2	37
32707B01F000	HOSE, DRAIN	E6-2	38
32800B09F000	HEATING ASSY	E6-2	44
34120G02F000	START GEAR ASSY	E8	1
34121G02F000	NEEDLE BEARING	E8	2
34122G02F000	PLATE WASHER	E8	7
34123G02F000	THRUST WASHER	E8	3
34125G02F000	IDLE GEAR HOLDER	E8	8
34126G02F000	IDLE GEAR	E8	5
34130G02F000	PLATE WASHER	E8	20
34200G02F000	STARTING MOTOR ASSY	E8	18
34301G02F00D	ROTOR ASSY	E10	6
34310G02F001	STATOR ASSY	E10	1
34350G02F000	OIL SEAT	E10	2
34400G02F000	START CLUTCH ASSY	E8	4
49000BMBT000	AIR CLEANER ASSY.	E5	13
49001BMBT000	COVER, AIR CLEANER	E5	2
49002BM0T000	GUIDE PIPE	E5	3
49004BM0T000	BUSH	E5	9
49005BM0T001	CONNECTING PIPE	E5	6
49013BM0T001	SEAL GASKET	E5	5
49016BM0T000	CLIP 42,5	E5	11
49022BM0T000	GROMMET	E5	10
49101BMBT000	CASE, AIR CLEANER	E5	1
49200BM0T001	FILTER	E5	4
49371B0DT000	GUIDE, BRAKE CABLE	E5	14
B01070601263	PAN HEAD SCREW	E7-1	22
B01070602064	BOLT M6X20	E3	4
B01070602564	PAN HEAD SCREW	E7-1	14
B01070603564	PAN HEAD SCREW	E7-1	7
B01070603564	PAN HEAD SCREW	E7-1	15
B01070606564	PAN HEAD SCREW	E7-1	16
B01070805063	SCREW M8X50	E7-2	33
B01070805563	SCREW M8X55	E7-2	32
B01090602060	BOLT M6X20MM	E5	8
B02000400622	SCREW M4X16	E10	4
B02000400863	SCREW M5X14	E4	2
B02000403523	SCREW	E3	15
B02000501463	SCREW M3X8	E4	12
B02000502522	SCREW M5X25	E10	3
B02000601063	SCREW	E8	9
B02000601262	PAN HEAD SCREW	E7-1	27
B02000601663	SCREW M6X15	E3	8
B02000601664	SCREW M6X16	E10	9
B02040400823	SCREW	E6-1	24
B02040401423	SCREW	E6-2	36
B02050602064	SCREW	E6-2	39
B02050602064	SCREW	E8	10

INDEX [E]

PARTNUMBER	DESCRIPTION	PICTURE	POS
B02050602560	SCREW 6X25	E8	22
B04011212553	NUT M12X1,25	E10	8
B04031212553	NUT	E9-1	25
B04070812553	NUT	E7-1	25
B05033501400	SCREW	E7-1	24
B05035504000	SCREW M5,5X40	E3	5
B05074201200	TAPPING SCREW ST4.2X12	E5	15
B05074202000	TAPPING SCREW ST4.2X20	E5	7
B07000000400	WASHER	E6-1	4
B07000000400	WASHER	E6-1	25
B07000000400	WADHER	E6-2	35
B07000000400	WASHER	E10	5
B07000000600	WASHER 6MM	E3	9
B07030000600	WASHER 6MM	E3	10
B07030001200	WASHER	E10	7
B07060000500	WASHER 6MM	E4	3
B08010001500	CIRCLIP	E8	15
B08010001700	CIRCLIP	E7-1	9
B08010001700	CIRCLIP	E9-1	4
B08030000800	CIRCLIP	E4	6
B08030001500	CLIP	E6-1	9
B090103014C0	PIN	E4	14
B09030301200	PIN	E4	5
B12016600300	BEARING	E7-1	3
B12016600400	NEEDLE BEARING	E12	5
B12016620000	BEARING 6200	E12	2
B12016620200	NEEDLE BEARING	E12	7
B12016620300	ROLING BEARING	E9-1	5
B12016620453	NEEDLE BEARING	E2	6
B190101900A0	O-RING 1,9X1,8	E4	4
B190102120B0	O-RING	E8	19

INDEX [F]

PARTNUMBER	DESCRIPTION	PICTURE	POS
02101BM0T000	SPARK PLUG SOCKET HANDLE	F23	3
02102BM0T000	SPARK PLUG SOCKET	F23	2
02103BM0T000	SCREW DRIVER	F23	4
02104BM0T000	HANDLE	F23	5
02110BM0T000	TOOL BAG	F23	1
02114BM0T000	FILTER, OIL TANK	F23	6
02115BM0T000	RR. ABSORBER ADJUSTER	F23	7
02117BMBT000	WRENCH 35	F23	8
05501BMBT000	STICKER "CPI"	F8-1	14
05511BM0T004	STICKER POPCORN LEFT ORANGE/BLACK	F5-2	16
05511BM0T005	STICKER POPCORN LEFT ORANGE/SILVER	F5-2	16
05512BM0T004	STICKER POPCORN RIGHT ORANGE/BLACK	F5-1	15
05512BM0T005	STICKER POPCORN RIGHT ORANGE/SILVER	F5-1	15
05521BM0T004	STICKER LEFT ORANGE/BLACK	F4	8
05521BM0T005	STICKER LEFT ORANGE/SILVER	F4	8
05522BM0T004	STICKER RIGHT ORANGE/BLACK	F4	9
05522BM0T005	STICKER RIGHT ORANGE/SILVER	F4	9
05525BM0T000	STICKER "CPI"	F5-1	14
05525BM0T002	STICKER "C. P. I"	F4	10
08001BMDT001	SCREW M 6X12	F22	4
08012BM0T001	HEX. BOLT 6X30 (STAINLESS STEEL)	F13	10
08017J4AT001	BOLT W/WASHER M6X20	F15-1	8
08021BM0T000	WASHER	F5-2	17
08027BM0T000	PLASTIC WASHER	F4	7
08031BM0T000	O-RING 75X3,1	F10	13
08202BM0T000	LICENSE BRACKET	F19	20
40001BMBT000	L. GRIP	F14	4
40002BMBT000	LEFT LEVER	F3	2
40004BMAT001	LEVER MOUNTING SCREW (STAINLESS STEEL)	F3	3
40008BM0T000	JACKET,RR. BRAKE CABLE	F14	9
40024J1CT000	BOLT 6MM	F12-1	24
40100BM0T002	HANDLE COMP.	F14	1
40100BM0T003	HANDLE COMP.	F14	1
40210BMBT000	R. GRIP ASSY.	F14	5
40211BMBT000	R. GRIP	F14	6
40212BMBT000	THROTTLE GUIDE TUBE	F14	7
40270BMBT000	BRAKE CABLE ASSY.	F14	11
40271BM0T000	NUT, ADJUSTING □GOLD COLORED□	F14	13
40273BM0T000	PIN,STOPPER □GOLD COLORED□	F14	12
40300BM0T001	CABLE ASSY. THROTTLE	F14	8
40340BM0T001	JUNCTION BOX	F14	14
40450BMBT001	REAR VIEW MIRROR ASSY. (E-MARK)	F17	11
40460BMBT001	REAR VIEW MIRROR LEFT	F17	5
40470BMBT001	REAR VIEW MIRROR RIGHT	F17	4
40500BM0T001	LEFT HANDLE SWITCH COMP.	F3	1
40510BMAT000	LEFT HANDLE SWITCH	F3	11
40520BM0T000	L. SWITCH FIXING SEAT	F3	12
40600BMAT000	RIGHT HANDLE SWITCH COMP.	F3	6

INDEX [F]

PARTNUMBER	DESCRIPTION	PICTURE	POS
40610BMAT000	RIGHT HANDLE SWITCH	F3	7
40620BM0T000	R. SWITCH FIXING SEAT	F3	8
43000BM0T002	FRONT FORK ASSY.	F8-2	31
43001BMBT002	BALL RACE, CONNECTING FROM FIN: AW2L534356	F8-1	19
43003BMBT000	BALL RACE, 2	F8-1	20
43004BMBT000	BALL RACE, 4	F8-1	16
43005BMBT001	BALL RACE COVER FROM FIN: AW2L534356	F8-1	21
43008BMAT000	NUT FROM FIN: AW2L534356	F8-1	18
43021BM0T001	FR. BRAKE HOSE HOLDER	F8-1	24
43100BMBT003	UNDER BRACKET COMP. 31MM	F8-1	15
43150BMAT000	CABLE HOLDER	F8-1	25
43200BMBT002	F.L. FORK ASSY. 31MM	F8-1	2
43201BMBT002	OUTER TUBE, LEFT 31MM	F8-1	3
43202BMBT001	SPRING	F8-1	9
43203BMBT001	FR. FORK SPRING	F8-1	11
43204BMBT001	CAP BOLT	F8-1	12
43207K00P000	CLIP	F8-1	5
43208BMBT001	PISTON RING	F8-1	8
43209J0AP000	GASKET	F8-1	26
43211BMBT001	CUSHION COVER	F8-1	28
43214BMBT001	FR. FORK PISTON	F8-1	7
43230BMBT001	INNER TUBE COMP 31MM	F8-1	6
43260K00P000	OIL SEAL	F8-1	4
43290K00P000	COVER, ANTI-DUST	F8-2	30
43300BMBT002	F.R. FORK ASSY. 31MM	F8-1	1
43301BMBT002	OUTER TUBE RIGHT 31MM	F8-1	27
44004G4CT001	FR. WHEEL AXLE	F11	8
44005BM0T000	FR. WHEEL L. COLLAR	F11	9
44100BM0TH90	RIM COMP.3.5x12" ALUMINIUM ALLOY SILVER	F11	1
44200BM0T000	SPEEDOMETER GEAR COMP.	F11	10
44300BM0T000	OIL SEAL 22X35X7	F11	3
44600BM0T910	DISTANCE COLLAR COMP.	F11	2
45006J4FT000	OIL PLUG	F12-1	16
45007J3AT000	COVER, DUST SEAL	F12-1	18
45008J00P000	SEAL, OIL PLUG	F12-1	17
45011J1DT000	RESERVOIR DIAPHRAGM	F12-1	3
45012BMBT000	RESERVOIR CAP	F12-1	4
45013J1DT000	WASHER, CYLINDER	F12-1	29
45014G0CT000	GUIDE AXLE	F12-2	30
45015J1CT000	DUST COVER I, GUIDE POLE	F12-1	26
45015K00P000	DUST COVER I, GUIDE POLE	F12-2	31
45016G0CP000	DUST COVER II, GUIDE POLE	F12-2	32
45017G0CP000	PAD SUPPORT,1	F12-1	19
45019J00P000	BREED SCREW	F12-1	14
45021 J00P000	BREED SCREW CAP	F12-1	15
45022BMBT001	DISC BRAKE LEVER	F12-1	23
45023 J1DT 000	MASTER CYLINDER BRACKET	F12-1	6
45029J00P000	PLATE WASHER	F12-1	1
45031K00P000	SEAL, MIRROR	F12-2	34
45033BM0T001	BRAKE DISC	F12-1	11

INDEX [F]

PARTNUMBER	DESCRIPTION	PICTURE	POS
45036BMAT001	BOLT (STAINLESS STEEL)	F12-1	12
45037J00P000	UNION BOLT	F12-1	9
45039J4FT001	BOLT (STAINLESS STEEL)	F12-1	22
45053G0CP000	GUIDE POLE	F12-2	37
45057G0KP000	TENSION SPRING,LEVER	F12-1	21
45062BMBT000	BLOCKING MASS	F12-1	13
45072G0CP000	GUIDE AXLE	F12-2	36
45110J4FT000	BRAKE PAD KIT	F12-1	20
45140J00P000	PISTON ASSY.	F12-1	2
45170F00P000	MIRROR ASSY., OIL INSPECTION	F12-2	33
45200BMBT000	FR. BRAKE HOSE	F12-1	8
45300J3AT000	STOP SWITCH ASSY.	F12-1	28
45400BMBTB30	CYLINDER COMP.	F12-1	10
45500J4FTG10	CALIPER ASSY. GOLDEN	F12-1	27
47000BMBT000	MUFFLER ASSY.	F20	1
47023BMBT000	MUFFLER.COVER, DECORATION	F20	3
47200BMBT000	MUFFLER JOINTING COMP.	F20	2
47500BMBT000	EXHAUST PIPE COMP. 45 KM/H	F20	4
47500BMBT002	EXHAUST PIPE COMP. 58 KM/H	F20	4
47500BMBT003	EXHAUST PIPE COMP. 25 KM/H	F20	4
47740BMBT000	GASKET, FLANGE	F20	11
47800B0ET000	WASHER ASSY., FIXING	F20	10
47800BMBT001	GROMMET, EXHAUST PIPE	F20	8
50004BM0T000	SENDER UNIT GASKET	F9	13
50100BM0T000	FUEL TANK COMP.	F9	1
50300BM0T000	FUEL COCK ASSY.	F9	3
50301BM0T000	FUEL HOSE, 1 (4.5X8.5)	F9	4
50302BM0T000	VACUUM HOSE, 1 (4X8)	F9	7
50303BM0T000	FUEL HOSE, 2 (4.5X8.5)	F9	9
50306BM0T000	CLIP 7mm	F9	8
50307BM0T000	CLIP 8mm	F9	6
50307BM0T000	CLIP 8	F6	7
50312J0ET000	SEAL RING	F9	14
50316BM0T000	SPRING	F9	5
50340BMAT000	FUEL FILTER ASSY.	F9	10
50800BM0T000	SENDER UNIT	F9	11
50801BM0T001	BOLT 5X14	F9	12
51001BM0T000	SEAT HINGE BOLT	F10	3
51004BM0T002	LUGGAGE BOX	F10	5
51011BM0T000	HOOK, HELMET	F16	10
51080BM0T000	SEAT HINGE	F10	2
51100BM0T003	DOUBLE SEAT ASSY.	F10	1
52009BM0T000	BUSH, REAR CARRIER	F10	12
52100BM0T000	RR. LUGGAGE CARRIER COMP.	F10	9
54001B0DT000	SPRING(BLACK)	F13	5
54002BM0T000	INDICATOR PLATE	F13	8
54003BM0T000	CAM SHAFT, 2	F13	6
54007BM0T000	CAM SHAFT LEVER, 2	F13	7
54008BM0T000	TENSION SPRING	F13	9
54021BM0T000	O-RING	F13	15

INDEX [F]

PARTNUMBER	DESCRIPTION	PICTURE	POS
54027BM0T000	CAP	F13	17
54100BM0TH90	RR. RIM COMP.3.5x12" ALUMINIUM ALLOY SILVER	F13	1
54200BMAT000	BRAKE SHOE KIT	F13	4
57001BM0T00A	FRAME BODY NO. PLATE 45 KM/H	F1	7
57001BM0T00B	FRAME BODY NO. PLATE 30 KM/H	F1	7
57001BM0T00C	FRAME BODY NO. PLATE 25 KM/H	F1	7
57002BM0T00A	ANTI-TAMPERING PLATE 45 KM/H	F1	12
57002BM0T00B	ANTI-TAMPERING PLATE 25 KM/H	F1	12
57002BM0T00C	ANTI-TAMPERING PLATE 30 KM/H	F1	12
57003BM0T001	TENSION SPRING, 1, SIDE STAND	F15-1	15
57004BM0T001	TENSION SPRING, 2, SIDE STAND	F15-1	17
57005BMBT001	BOLT (STAINLESS STEEL)	F15-1	13
57006BM0T000	HOOK	F15-1	18
57100BM0T000	FRAME COMP. 3MM	F1	1
58210BM0T000	L.H. FOOTREST BRKT.	F15-2	32
58213BMAT000	PIN	F15-1	29
58260BM0T000	L.H. RR. FOOTREST COMP.	F15-2	30
58262BMAT000	SPRING	F15-1	24
58264BMAT000	COLLAR	F15-1	23
58266BMAT000	L.H. RR. FOOTREST	F15-2	31
58280BM0T000	R.H. RR. FOOTREST COMP.	F15-1	21
58286BMAT000	R.H. RR. FOOTREST	F15-1	22
58301BM0T001	E/G MOUNTING BOLT, 2	F1	4
58302B0DT000	DAMPER	F1	5
58303BM0T001	E/G MOUNTING BOLT, 1	F1	2
58304BM0T000	SPRING	F1	6
58310BM0T000	R.H FOOTREST BRKT.	F15-1	27
58360BM0T000	E/G BRKT COMP.	F1	14
58502BM0T001	TENSION SPRING, 1, MAIN STAND	F15-1	6
58507BM0T000	DAMPER	F15-2	33
58508B0DT000	PLATE WASHER	F15-1	4
58512BM0T001	TENSION SPRING, 2, MAIN STAND	F15-1	16
58520BM0T002	MAIN STAND COMP.	F15-1	1
58590BMOT000	PIN	F15-1	2
58700BM0T000	SIDE STAND COMP.	F15-1	12
58800BM0T000	SEAT CATCH COMP.	F1	9
58900BM0T000	SEAT CABLE	F1	13
63015J0ET001	FLANGE BOLT 8X31 (STAINLESS STEEL)	F7	2
63016B0DT001	SPLIT PIN 1.2X22 (STAINLESS STEEL)	F7	5
63016B0DT001	PIN 1.2X22 (STAINLESS STEEL)	F15-1	5
63100BM0TC10	RR. ABSORBER ASSY. SILVER	F7	1
64001BMAT000	OIL TANK BODY	F6	1
64090BMAT000	OIL TANK CAP	F6	2
64100BMAT000	OIL LEVER GAUGE COMP.	F6	4
65100BM0TB72	FRONT FENDER COMP. BLACK	F11	11
65100BM0TC12	FRONT FENDER COMP. SILVER	F11	11
65100BM0TLE2	FRONT FENDER COMP. ELECTRIC-BLUE	F11	11
65100BM0TR62	FRONT FENDER COMP. RED	F11	11
65201BMBTB73	HANDLE COVER, 1 BLACK	F17	1
65201BMBTC13	HANDLECOVER,1 SILVER	F17	1

INDEX [F]

PARTNUMBER	DESCRIPTION	PICTURE	POS
65201BMBTLE3	HANDLE COVER, 1 ELECTRIC-BLUE	F17	1
65201BMBTR63	HANDLECOVER,1 RED	F17	1
65202BM0T002	HANDLE COVER, 2	F17	2
65203BMBT000	METER VISION ASSY.	F17	7
65301BM0TB70	LEG SHIELD 1 BLACK	F4	1
65301BM0TC10-FL	LEG SHIELD 1 SILVER	F4	1
65301BM0TLE0	LEG SHIELD 1 ELECTRIC BLUE	F4	1
65301BM0TR60-FL	LEG SHIELD 1 RED	F4	1
65305BM0T000	PROTECTOR LEFT	F4	2
65306BM0T000	PROTECTOR RIGHT	F4	3
65307BM0T000	GRATING FOR SIDE COVER LEFT	F5-1	3
65308BM0T000	GRATING FOR SIDE COVER RIGHT	F5-1	4
65311BM0T000	SPEED NUT	F4	4
65311BM0T000	SPEED NUT	F5-1	5
65314BM0T001	SCREW M6X14 (STAINLESS STEEL)	F4	6
65401BM0T000	FLOOR	F15-1	7
65402BM0T000	LEG SHIELD, 2	F16	1
65403BM0T000	INSPECT COVER	F16	2
65406BM0T000	UNDER COVER 1	F16	3
65408BM0T000	UNDER COVER 2, LEFT	F16	7
65409BM0T000	UNDER COVER 3, RIGHT	F16	8
65415BM0T001	MAT, 1	F15-1	11
65601BM0TB70	SIDE COVER, LEFT BLACK	F5-1	1
65601BM0TC10-FL	SIDE COVER, LEFT SILVER	F5-1	1
65601BM0TLE0	SIDE COVER, LEFT ELECTRIC BLUE	F5-1	1
65601BM0TR60-FL	SIDE COVER, LEFT RED	F5-1	1
65602BM0TB70	SIDE COVER, RIGHT BLACK	F5-1	6
65602BM0TC10-FL	SIDE COVER, RIGHT SILVER	F5-1	6
65602BM0TLE0	SIDE COVER, RIGHT ELECTRIC BLUE	F5-1	6
65602BM0TR60-FL	SIDE COVER, RIGHT RED	F5-1	6
65605BM0TB70	SIDE COVER, 4 BLACK	F5-1	8
65605BM0TC10	SIDE COVER, 4 SILVER	F5-1	8
65605BM0TLE0	SIDE COVER, 4 ELECTRIC BLUE	F5-1	8
65605BM0TR60	SIDE COVER, 4 RED	F5-1	8
65616BM0T000	RUBBER WASHER	F5-1	13
65619BM0TB70	SIDE COVER, 3 BLACK	F5-1	7
65619BM0TC10	SIDE COVER, 3 SILVER	F5-1	7
65619BM0TLE0	SIDE COVER, 3 ELECTRIC BLUE	F5-1	7
65619BM0TR60	SIDE COVER, 3 RED	F5-1	7
65701BMBT000	REAR FENDER	F13	12
65802BM0T000	SPRING NUT 5MM	F19	24
65802BMAT000	SPRING NUT 5MM BLACK	F5-1	11
65802BMAT000	SPRING NUT 5MM	F15-1	9
65802BMAT000	SPRING NUT 5MM	F16	5
65803JOET000	SPRING NUT 6MM	F13	14
65811BM0T000	BATTERY DAMPER	F15-1	20
65813BM0T000	BATTERY COVER	F15-1	19
70000BMBTW63	SPEEDOMETER COMP. BLUE	F2	1
70001H70X000	BULB 12V-3W	F2	4
70002H70X000	BULB 12V-1.7W	F2	5

INDEX [F]

PARTNUMBER	DESCRIPTION	PICTURE	POS
70003BMBT001	SPEEDOMETER UPPER COVER	F2	8
72900BMBT000	CABLE ASSY SPEEDOMETER	F2	3
76000BMBT001	DIGITAL WATCH	F2	7
80000BM0T000	HEAD LIGHT COMP. (E MARK)	F18	12
80002BM0T000	BULB12V-35/35W	F18	13
80007BM0T000	HEAD LIGHT BASE	F18	14
80018BM0T000	ADJUSTING SCREW	F18	17
80023JL0T000	BULB 12V/5W	F18	15
81100BMBT000	FLASHER LIGHT COMP., 1(E MARK)	F18	1
81101BM0T000	F. L. BULB BASE	F18	7
81102BM0T000	LIGHT COVER, L.	F18	3
81102BM0T000	LIGHT COVER, RIGHT	F19	3
81105BM0T000	BOWL, REFLEX LIGHT	F18	6
81105BM0T000	BOWL, REFLEX LIGHT	F19	6
81107BM0T000	INNER COVER	F18	5
81107BM0T000	INNER COVER	F19	5
81110BM0T000	WIRE COMP. F. L. FLASHER	F18	10
81300BMBT000	FLASHER LIGHT COMP., 2(E MARK)	F18	2
81301BM0T000	F. R BULB BASE	F18	8
81302BM0T000	LIGHT COVER, R.	F18	4
81302BM0T000	LIGHT COVER, LEFT	F19	4
81310BM0T000	WIRE COMP. F. R. FLASHER	F18	11
81500BMBT000	FLASHER LIGHT COMP., 1 LEFT (E MARK)	F19	2
81501H70X000	BULB, 12V/10W	F18	9
81501H70X000	BULB, 12V/10W	F19	9
81502BM0T000	BULB BASE	F19	7
81510BM0T000	WIRE COMP. F. L. FLASHER	F19	10
81511BM0T000	FLASHER LIGHT CUSHION	F19	23
81700BMBT000	FLASHER LIGHT COMP., 2 RIGHT (E MARK)	F19	1
81708BM0T000	FLASHER LIGHT CUSHION	F19	25
81710BM0T000	WIRE COMP. F. R. FLASHER	F19	11
82000BM0T000	TAIL LIGHT COMP. (E MARK)	F19	12
82003BM0T000	TAIL LIGHT BASE	F19	17
82005JL0T000	BULB 12V 21/5W	F19	15
82008BM0T000	INDICATOR LENS	F19	16
82011G00P000	RUBBER WASHER	F19	14
82503BM0T000	LICENSE LIGHT SLICE	F19	8
82900BM0T000	WIRE COMP. TAIL LIGHT	F19	19
86300BMAT000	REAR REFLECTOR, E-MARK	F10	6
86502BM0T000	RR REFLECTOR (E MARK)	F19	18
88000BM0T000	LOCK COMP.	F22	6
88100BM0T000	MAIN SWITCH COMP.	F22	3
88101BM0T000	COVER MAIN SWITCH	F22	15
88400BM0T000	FUEL TANK LOCK	F22	11
88500BM0T000	SIDE COVER 3 LOCK	F22	10
88800BM0T000	SEAT LOCK	F22	12
88900BM0T000	KEY BLANC NUT LEFT	F22	16
88900BMBT000	KEY BLANC NUT RIGHT	F22	17
91600BMAT000	STOP SWITCH ASSY. LEFT	F3	5
92000BM0T002	WIRE HARNESS COMP.	F21	7

INDEX [F]

PARTNUMBER	DESCRIPTION	PICTURE	POS
92000BM0T003	WIRE HARNESS COMP.	F21	7
94008B0DT000	STARTER RELAY COMP.	F21	8
95000BMDT000	HORN (E MARK)	F22	5
96001K00P000	BAND 250MM	F21	15
96002K00P000	BAND 150MM	F21	16
96007BM0T000	CUSHION, C.D.I.	F21	17
96100BM0T000	BATTERY COMP.	F21	6
96200BMAT000	IGNITION COIL COMP.	F21	2
96201BMAT000	COVER, IGNITION COIL	F21	20
96500BM0T000	AUDIO PILOT COMP.	F22	9
96600BMAT000	RESISTOR COMP.	F21	11
96800BMAT000	FUSE 8AH 250V	F21	18
96900BM0T000	EARTH WIRE	F22	7
97701BM0T001	C.D.I. UNIT COMP.	F21	1
97900BMBT000	TEMPERATURE CONTROL	F14	15
97900BMBT001	TEMPERATURE CONTROL	F14	16
97910BMBT000	LATEX COVER	F14	18
98801B09F000	REGULATOR COMP.	F22	1
B01070601620	PAN HEAD SCREW 6X16	F8-1	23
B01070602360	BOLT 6X23MM	F12-1	7
B01090601260	FLANGE BOLT 6X12	F8-1	29
B01090601260	FLANGE BOLT 6X12	F16	6
B01090601260	BOLT M 6X12	F22	2
B01090601460	PAN HEAD SCREW M 6x14	F14	17
B01090601660	FLANGE BOLT 6X16	F9	2
B01090601660	BOLT 6X16	F10	4
B01090601660	BOLT 6X16MM	F20	5
B01090601660	ONE WAY SCREW M6X16 25/30 KM/H	F20	16
B01090602060	FLANGE BOLT 6X20	F1	8
B01090602060	BOLT 6X20	F10	14
B01090602060	BOLT M 6X12MM	F13	13
B01090602560	BOLT	F16	9
B01090802060	FLANGE BOLT	F15-1	28
B01090802060	BOLT 8X20MM	F20	7
B01090803560	BOLT 8X35MM	F20	6
B01091003060	FLANGE BOLT 10X1.25X30	F8-1	17
B01091004565	FLANGE BOLT M10X1.25X45	F14	2
B01141004060	BOLT 10X1.25 X40	F7	3
B02000501020	PAN HEAD SCREW M5X10	F14	10
B02000502020	PAN HEAD SCREW5X20	F3	9
B02000502020	HEX. BOLT M5X20	F21	3
B02000502520	PAN HEAD SCREW 5X25	F3	10
B02000601060	SCREW 6X10MM	F20	12
B02000601220	PAN HEAD SCREW M6X12	F21	12
B02000601620	PAN HEAD SCREW 6X16	F6	5
B02010401020	FLAT HEAD SCREW 4X10	F12-1	5
B02050602560	SCREW 6X25MM	F20	13
B02050602560	ONE WAY SCREW M6X25 25/30 KM/H	F20	17
B02050605560	FLANGE BOLT M6X55	F10	10
B02050802060	FLANGE BOLT M8X20	F10	11

INDEX [F]

PARTNUMBER	DESCRIPTION	PICTURE	POS
B02050802565	BOLT 8X25MM	F8-1	13
B04000500060	U NUT	F3	4
B04000600060	NUT 6MM	F20	9
B04000600060	NUT M6MM	F21	10
B04061012550	NUT10X1.25	F19	21
B04070600060	FLANGE NUT 6MM	F10	7
B04070600060	FLANGE NUT 6MM	F19	22
B04070600063	FLANGE NUT 6MM	F10	8
B04070800060	U NUT 8MM	F15-1	14
B04071012560	FLANGE NUT 10X1.25MM	F7	4
B04160600060	NUT 6MM	F12-1	25
B04171012560	NUT	F1	10
B04171012565	U NUT M10X1.25MM	F14	3
B04171212560	FLANGE U NUT 12MM	F1	3
B04171212560	FLANGE U NUT 12MM	F11	7
B04171615063	U NUT 16X1.5MM	F13	11
B05004801600	TAPPING SCREW4.8X16	F5-1	2
B05073001000	TAPPING SCREW 3X10	F17	9
B05074001000	TAPPING SCREW 4X10	F2	6
B05074001200	TAPPING SCREW 4X12	F2	2
B05074001200	TAPPING SCREW 4X12	F17	12
B05074001600	TAPPING SCREW 4X16	F17	6
B05074002000	TAPPING SCREW 4X20	F19	13
B05074801600	TAPPING SCREW 4.8X16	F16	11
B05075001100	TAPPING SCREW 5X11	F5-1	10
B05075001200	TAPPING SCREW 5X12	F15-1	10
B05075001200	TAPPING SCREW 5X12	F17	10
B05075001200	TAPPING SCREW 5X12	F18	18
B05075001600	TAPPING SCREW M5X16	F4	5
B05075001600	TAPPING SCREW	F15-2	34
B05075001600	TAPPING SCREW 5X16	F16	4
B05075001600	TAPPING SCREW 5X16	F17	3
B05075001600	TAPPING SCREW 5X16	F18	19
B05084200700	TAPPING SCREW 4.2X7	F5-1	9
B06010150000	STEEL BALL \pm 5 FROM FIN: AW2L534356	F8-1	22
B06010200000	STEEL BALL \pm 6,35 MM	F15-1	25
B070000000600	SPRING WASHER 6	F20	14
B07000000500	WASHER 5MM	F3	13
B07000000500	SPRING WASHER 5MM	F21	5
B07000000600	SPRING WASHER 6MM	F21	9
B07000000600	SPRING WASHER 6MM	F21	14
B07000000600	SPINGE WASHER 6	F22	13
B07020000500	WASHER 5	F9	15
B070300000600	WASHER 6	F20	15
B07030000500	PLATE WASHER 5MM	F21	4
B07030000600	WASHER 6	F6	6
B07030000600	PLATE WASHER 6MM	F21	13
B07030000600	WASHER 6MM	F21	19
B07030000600	PLATE WASHER 6	F22	14
B07030001000	WASHER 10	F19	26

INDEX [F]

PARTNUMBER	DESCRIPTION	PICTURE	POS
B070600008000	WAVE WASHER	F12-2	35
B090018018A0	COTTER PIN	F15-1	26
B100432007P0	RIVET 3.2X7	F1	11
B12016020100	BALL BEARING 6201-2RS	F11	4
B13010501400	SCREW 5X14	F17	8
B13010501400	BOLT W/WASHER 5X14	F22	8
B13010601200	SCREW W/WASHER 6X12	F5-1	12
B13010602000	SCREW W/WASHER 6X20	F6	3
B13140501400	SCREW W/WASHER 5X14	F18	16
B140107D12AB	TIRE 120/70-12 (E MARK)	F11	5
B140108D12BB	TIRE 130/70-12 (E MARK)	F13	2
B1403Z201100	RIM VALVE	F11	6
B1403Z201100	RIM VALVE Z2-01-1	F13	3
B1404Z2011C0	CAP, VALVE	F11	12
B1404Z2011C0	CAP, VALVE	F13	16
B190101000A0	O-RING 10X1.8	F15-1	3
B190123200B0	O-RING 23.2X2.65	F8-1	10
	EXHAUST PIPE COMP. 30 KM/H	F20	4