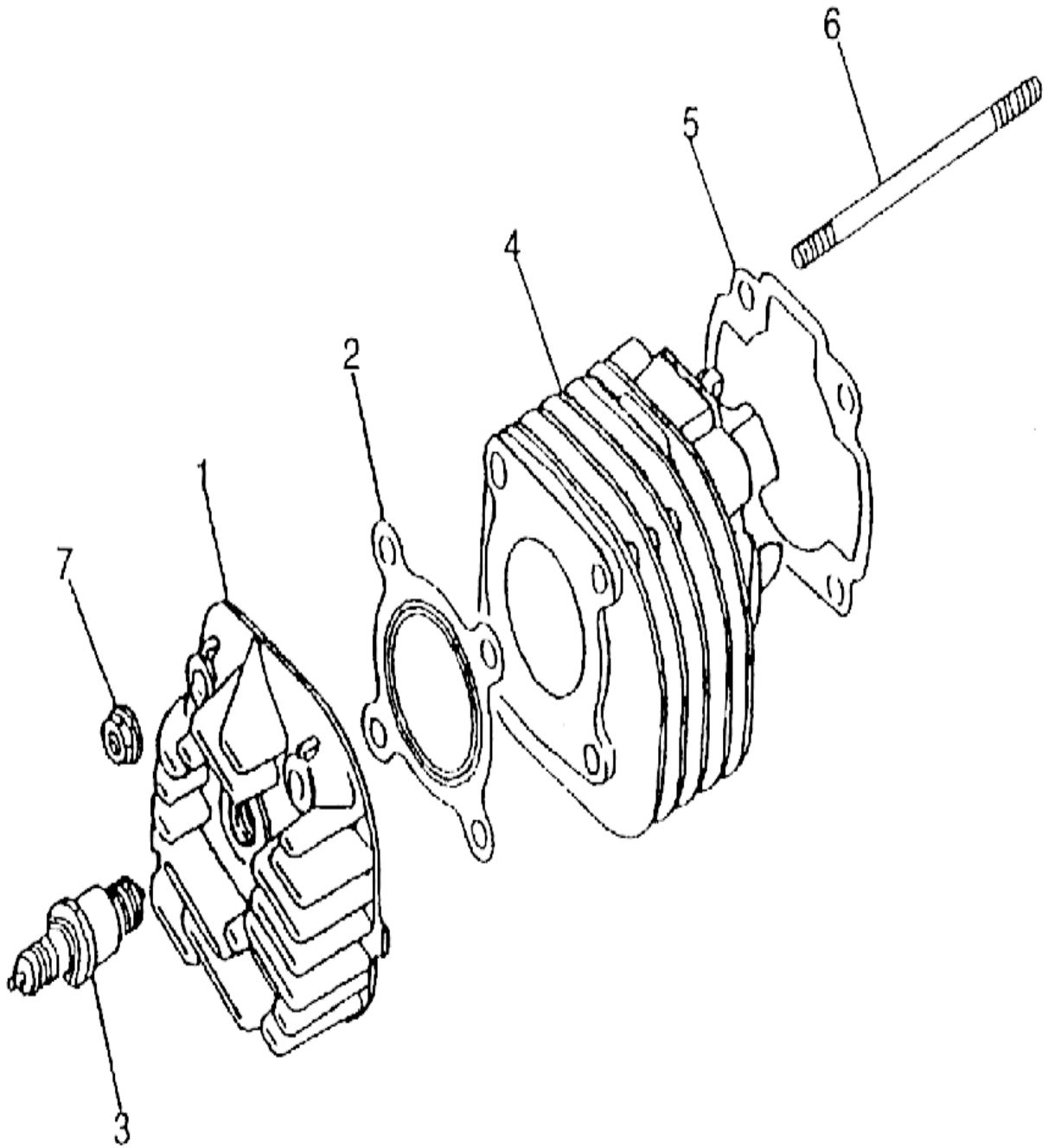
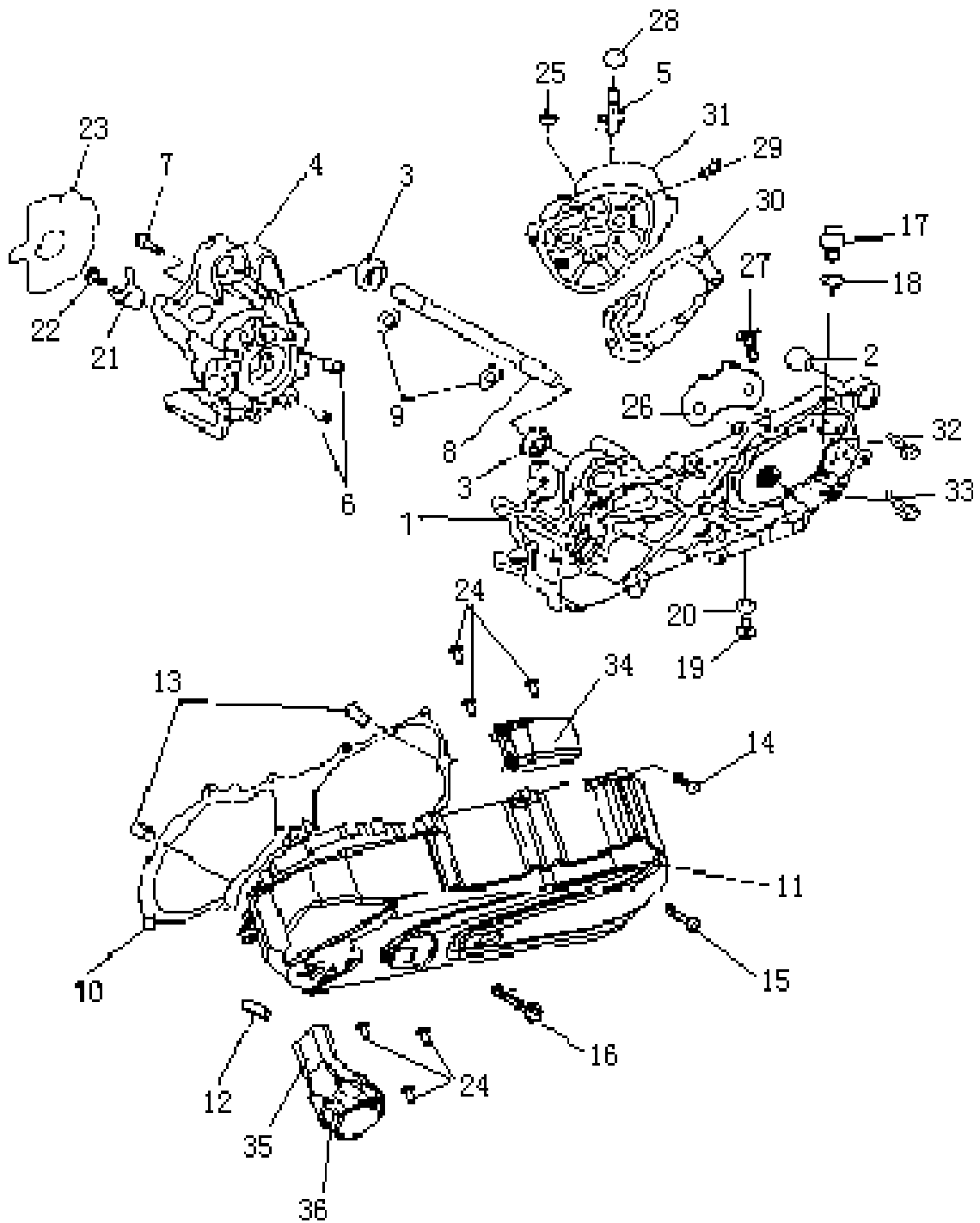


# E1 CYLINDER HEAD ASSY



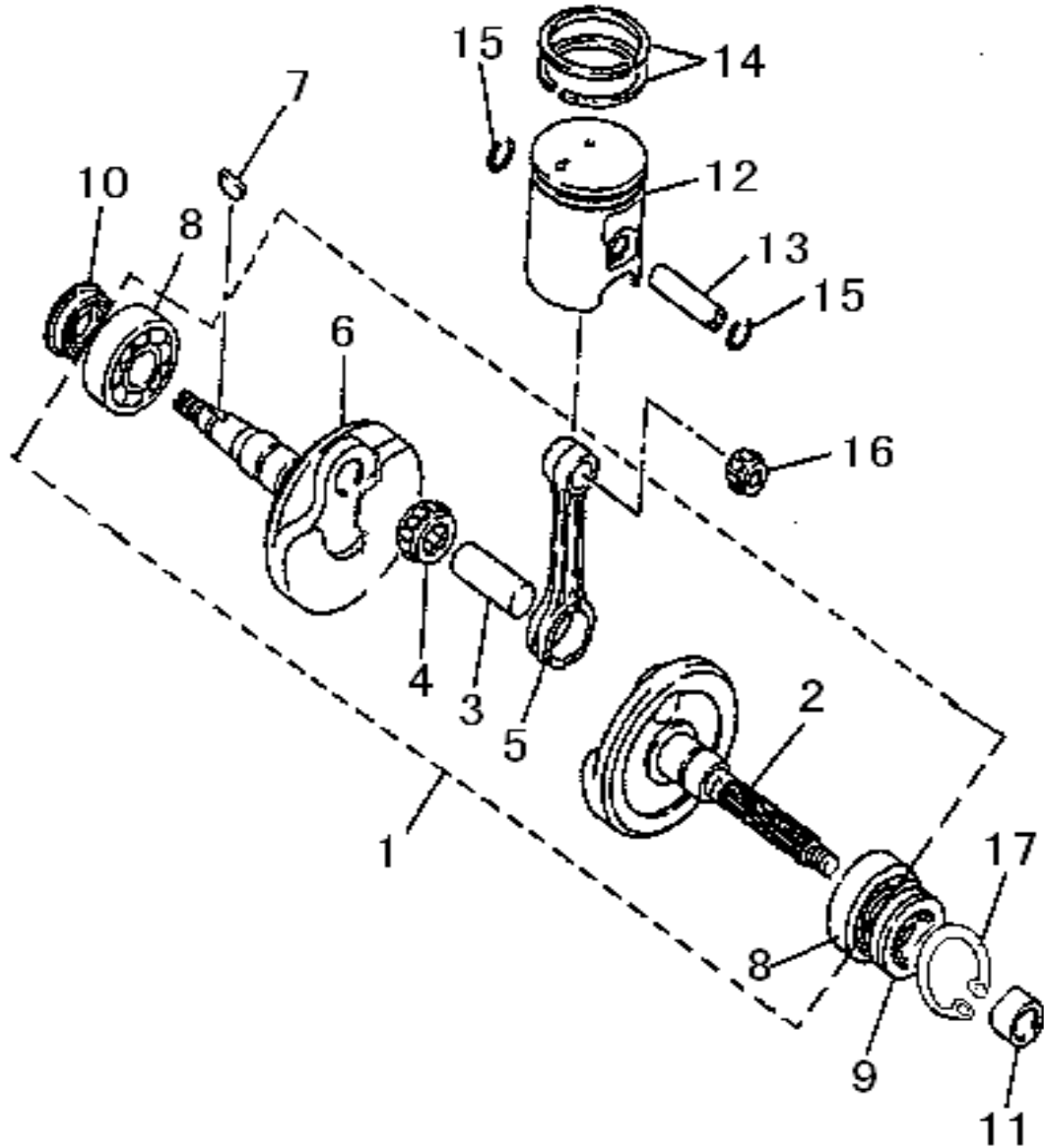
<b>E1 CYLINDER HEAD ASSY</b>			
NO	CODE	DESCRIPTION	QTY
1	T3E01030010	HEAD, CYLINDER	1
2	T3E01030020	GASKET, CYLINDER HEAD	1
3	T3E01132000	SPARK PLUG	1
4	T3E01040010	CYLINDER	1
5	T3E01040020	GASKET, CYLINDER	1
6	T3E01011060	STUD BOLT	4
7	T3E01030030	NUT	4

## E2 CRANKCASE ASSY



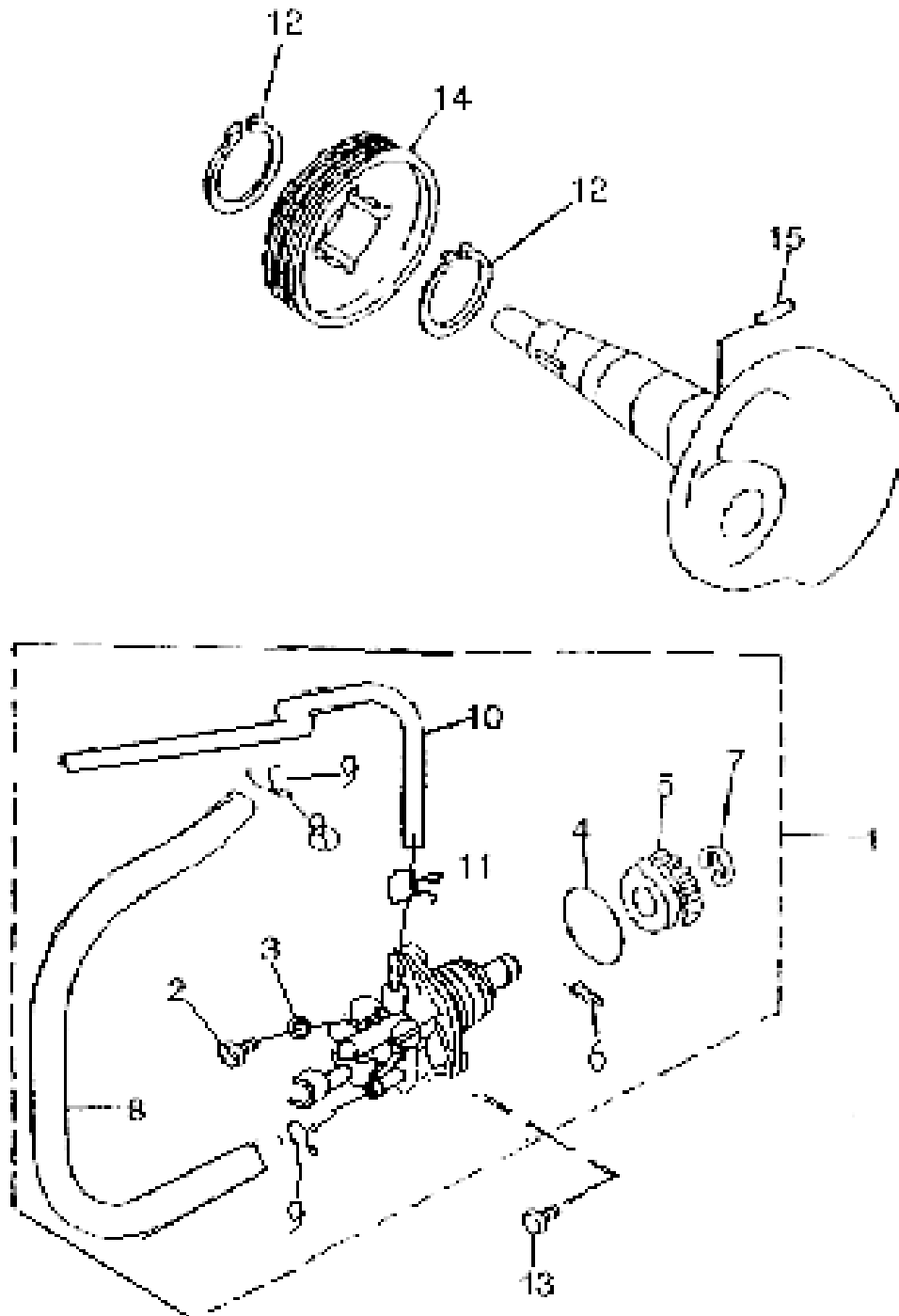
<b>E2 CRANKCASE ASSY</b>			
NO	CODE	DESCRIPTION	QTY
1	T3E01011010	CRANKCASE,LH	1
2	T3E01011210	GROMMET	1
3	T3E01011200	BEARING 6003	2
4	T3E01012010	CRANKCASE,RH	1
5	T3E01092020	BRAKE SHOE ANCHOR PIN ASSY	1
6	T3E01011090	DOWEL PIN 12X16	2
7	GB/T5787-1986	PAN HEAD SCREW M6X35	6
8	T3E01011140	AXLE ENGINE MOUNT	1
9	GB/T894.1-1986	CIRCLIP 17	2
10	T3E01011130	GASKET,L CRANKCASE	1
11	T3E01020010	L CRANKCASE COVER	1
12	T3E01020020	IDLE GEAR	1
13	T3E01011100	DOWEL PIN 10X14	2
14	GB/T5787-1986	PAN HEAD SCREW M6X25	8
15	GB/T5787-1986	PAN HEAD SCREW M6X35	1
16	GB/T5787-1986	PAN HEAD SCREW M6X65	1
17	T3E01011070	OIL PLUG	1
18	T3E01011220	O RING	1
19	GB/T5787-1986	FLANGE BOLT M8X16	1
20	T3E01011270	PLATE WASHER	1
21	T3E01012020	OIL SEAL HOLDER	1
22	GB/T5787-1986	PAN HEAD SCREW M6X12	1
23	T3E01012030	GASKET	1
24	GB/T845-1985	SCREW ST3.5X14	6
25	GB/T6187.1-2000	NUT M8	1
26	T3E01011160	BEARING HOLDER	1
27	GB/T5787-1986	PAN HEAD SCREW M6X12	2
28	T3E01092060	O-RING	1
29	T3E01011090	DOWEL PIN 12X16	2
30	T3E01011120	MISSION CASE GASKET	1
31	T3E01092010	MISSION CASE	1
32	GB/T5787-1986	SCREW M8X55	2
33	GB/T5787-1986	SCREW M8X50	5
34	T3E01020110	AIR DUCT-OUTLET	1
35	T3E01020100	AIR DUCT-INLET	1
36	T3E01020130	FILTER ASSY	1

# E3 PISTON CRANKSHAFT CONNECTING ROD ASSY



<b>E3 PISTON CRANKSHAFT CONNECTING ROD ASSY</b>			
<b>NO</b>	<b>CODE</b>	<b>DESCRIPTION</b>	<b>QTY</b>
1	T3E01051000	CRANKSHAFT, ASSY	1
2	T3E01051010	CRANKSHAFT, LH	1
3	T3E01051030	CRANK PIN	1
4	T3E01051060	NEEDLE BEARING	1
5	T3E01051040	CONNECTING ROD	1
6	T3E01051020	CRANKSHAFT, RH	1
7	T3E01050050	WOODRUFF KEY 3X5X13	1
8	T3E01051050	NEEDLE BEARING6204/P53	2
9	T3E01011190	OIL SEAL 20X42X8	1
10	T3E01012040	OIL SEAL ASSY 20X30X6	1
11	T3E01013020	COLLAR	1
12	T3E01052010	PISTON ASSY	1
13	T3E01050010	PISTON PIN	1
14	T3E01052020	PISTON RING ASSY SET	1
15	T3E01050020	CIRCLIP	2
16	T3E01050060	NEEDLE BEARING	1
17	GB893.1-1986	CIRCLIP 43	1

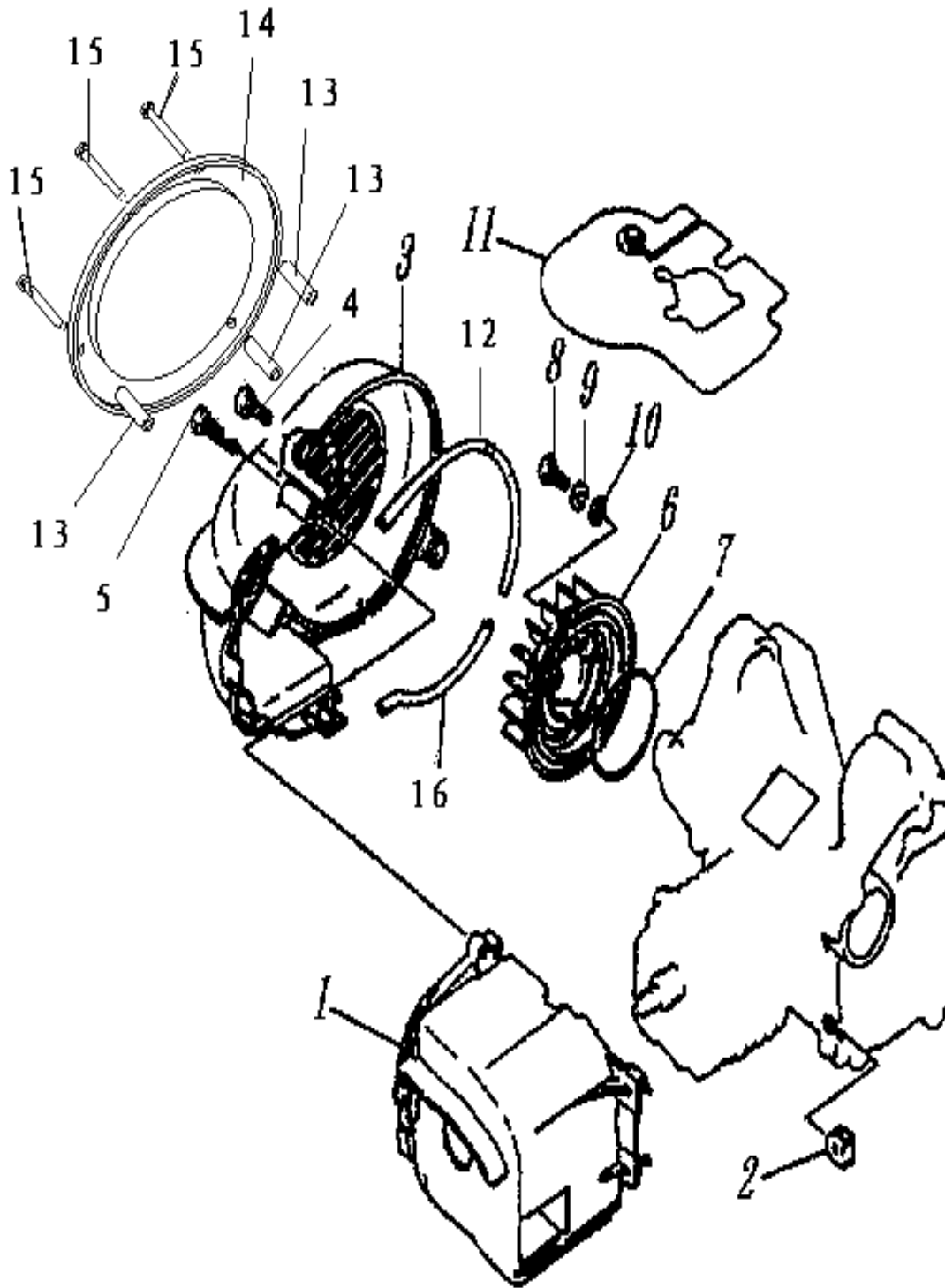
# E4 OIL PUMP ASSY



<b>E4 OIL PUMP ASSY</b>			
NO	CODE	DESCRIPTION	QTY
1	T3E01070000	OIL PUMP ASSY	1
2	GB/T818-2000	SCREW M4X8	1
3	T3E01071010	WASHER 5	1
4	T3E01071020	O-RING 19X1.8	1
5	T3E01071030	GEAR	1
6	T3E01071080	PIN 3X12	1
7	GB896-86	CIRCLIP 8	1
8	T3E01071040	HOSE	1
9	T3E01071050	HOSE CLIP	2
10	T3E01071060	HOSE	1
11	T3E01071070	HOSE CLIP	1
12	GB/T894.1-1986	CIRCLIP 19	2
13	GB9074.4-1988	SCREW M5X16	2
14	T3E01050040	PUMP DRIVE GEAR	1
15	T3E01050030	PIN C3X14	1

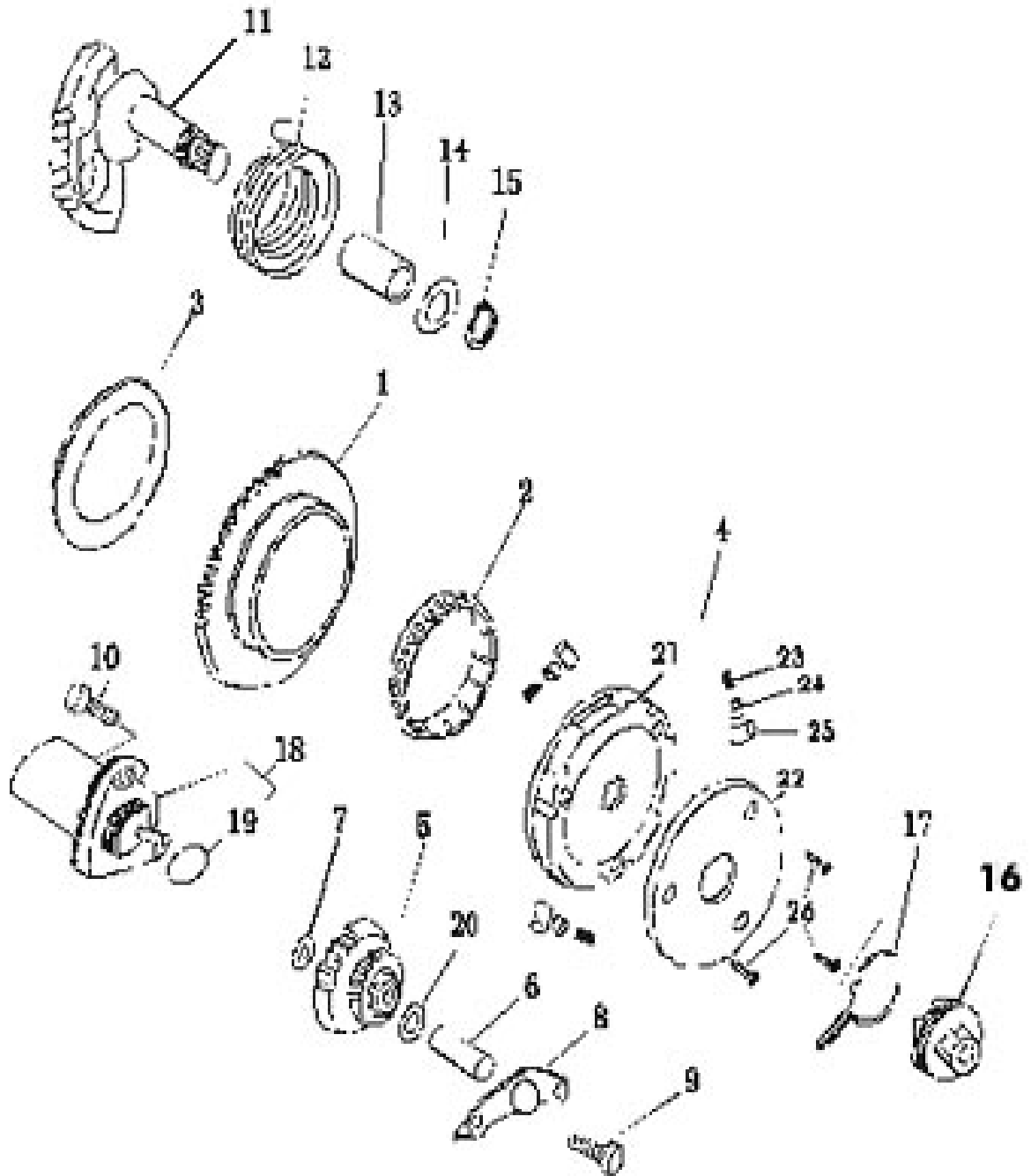


# E5 AIR COOLING SYSTEM



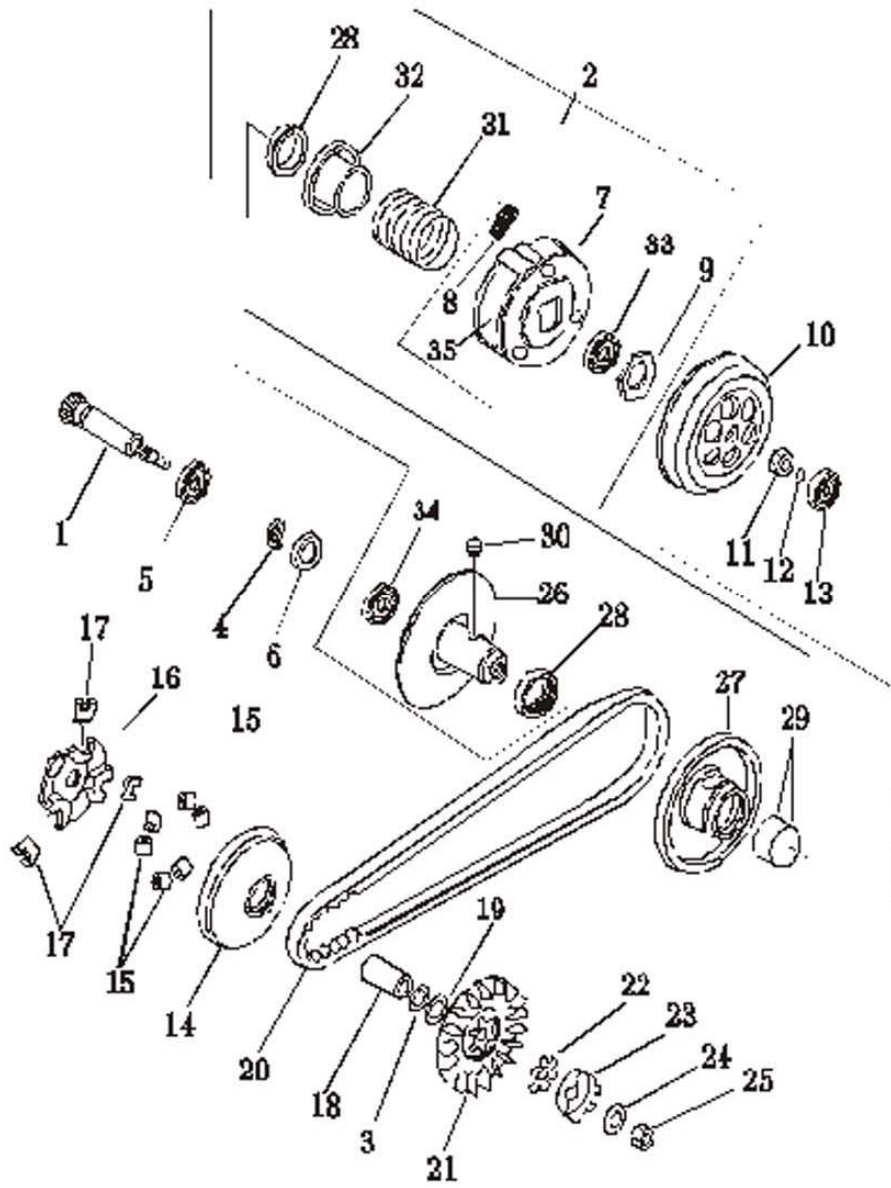
<b>E5 AIR COOLING SYSTEM</b>			
NO	CODE	DESCRIPTION	QTY
1	T3E01100030	COWLING CYLINDER	1
2	T3E01011110	GROMMET	2
3	T3E01100020	COOLING FAN COVER	1
4	GB/T5787-1986	BOLT M 6×20	2
5	GB/T15856.4-95	SCREW	1
6	T3E01100010	FAN ASSY	1
7	T3E01100040	RUBBER RING	1
8	GB9074.4-1988	SCREW	3
9	GB/T93-87	WASHERΦ6	3
10	GB/T95-85	WASHERΦ6	3
11	T3E01100050	PLATE	1
12	T3E01100060	MOLD COWLING	1
13	T3E01100070	COLLAR	3
14	T3E01100080	COVER	1
15	GB/T820-2000	SCREW M4X35	3
16	T3E01100060	MOLD COWLING	1

# E6 KICK STARTER ASSY



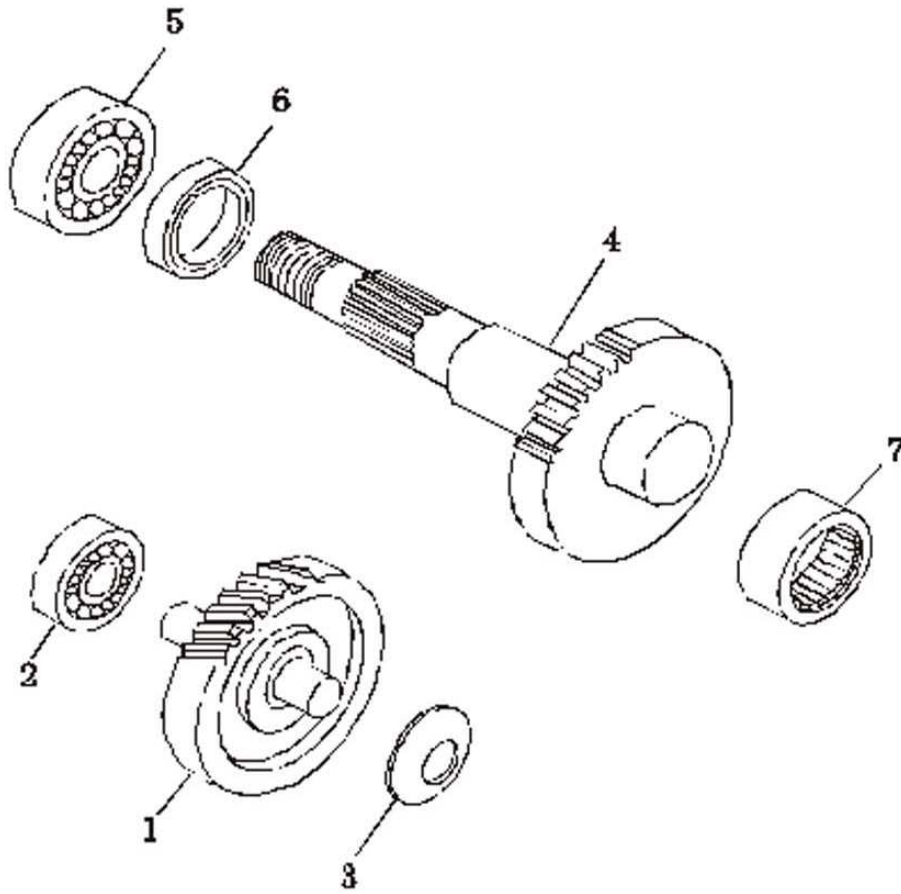
<b>E6 KICK STARTER ASSY</b>			
NO	CODE	DESCRIPTION	QTY
1	T3E01011030	START GEAR ASSY	1
2	T3E01013100	NEEDLE BEARING	1
3	T3E01013030	THRUST WASHER	1
4	T3E01013000	START CLUTCH ASSY	1
5	T3E01011040	IDLE GEAR	1
6	T3E01011030	IDLE GEAR SHAFT	
7	T3E01011290	PLATE WASHER 8X16X2.5	1
8	T3E01011050	IDLE GEAR HOLDER	1
9	GB/T5787-1986	SCREW M6×10	2
10	GB/T70.1-2000	SCREW M6×20	2
11	T3E01020060	SHAFT, kick starter	1
12	T3E01020070	SPRING	1
13	T3E01020080	BUSH	1
14	T3E01020120	WASHER ,kick starter	1
15	GB/T894.1-1986	CIRCLIP 15	1
16	T3E01020030	KICK PINION ASSY	1
17	T3E01020040	CLIP	1
18	T3E01080000	STARTING MOTOR ASSY	1
19	T3E01080010	O-RING 21.2X2.65	1
20	T3E01011280	PLATE WASHER 8X16X1	1
21	T3E01013040	COVER	1
22	T3E01013050	PLASTIC RING	1
23	T3E01013080	SPRING	3
24	T3E01013070	CAP	3
25	T3E01013060	ROLLER	3
26	GB/T15856.4-95	TAPPING SCREW ST4.8x11	3

# E7 CLUTCH ASSY



<b>E7 CLUTCH ASSY</b>			
NO	CODE	DESCRIPTION	QTY
1	QOA01011150	PRIMARY DRIVE GEAR	1
2	T3E01091000	DRIVEN PULLY and CLUTCH ASSY	1
3	T3E01090060	WASHER	1
4	GB/T894.1-1986	CIRCLIP 17	1
5	T3E01011180	ROLING BEARING	1
6	T3E01011170	OIL SEAL 17X35X7	1
7	T3E01091080	CLUTCH ASSY, shoe	1
8	T3E01091060	SPRING	3
9	T3E01091100	NUT M28X1	1
10	T3E01091090	HOUSING	1
11	GB/T6173-2000	NUT M10X1	1
12	T3E01090150	O-RING 6.7X3	1
13	T3E01020090	BEARING 638Z	1
14	T3E01090030	FACE, movable drive	1
15	T3E01090040	ROLLER	6
16	T3E01090010	PLATE, movable drive	1
17	T3E01090020	SLIDE PIECE	3
18	T3E01090050	COLLAR	1
19	T3E01090160	WASHER	1
20	T3E01090100	V BELT, DRIVE	1
21	T3E01090070	FACE, FIXED DRIVE	1
22	T3E01090080	PLATE, WOODRUFF KEY	1
23	T3E01090090	STARTING DISC	1
24	T3E01090180	WASHER, SPRING	1
25	GBT6171-2000	NUT M12X1.25	1
26	T3E01091010	FACE, FIXED DRIVEN	1
27	T3E01091020	FACE, MOVABLE DRIVEN	1
28	T3E01091110	OIL SEAL 33X39X4	1
29	T3E01091120	O-RING 1.7×38.7	2
30	T3E01091050	PIN, GUIDE	1
31	T3E01091040	SPRING	1
32	T3E01091030	SEAT, SPRING	1
33	T3E01091130	ROLLER BEARING	1
34	T3E01091140	NEEDLE BEARING	1
35	T3E01091070	SHOE	3

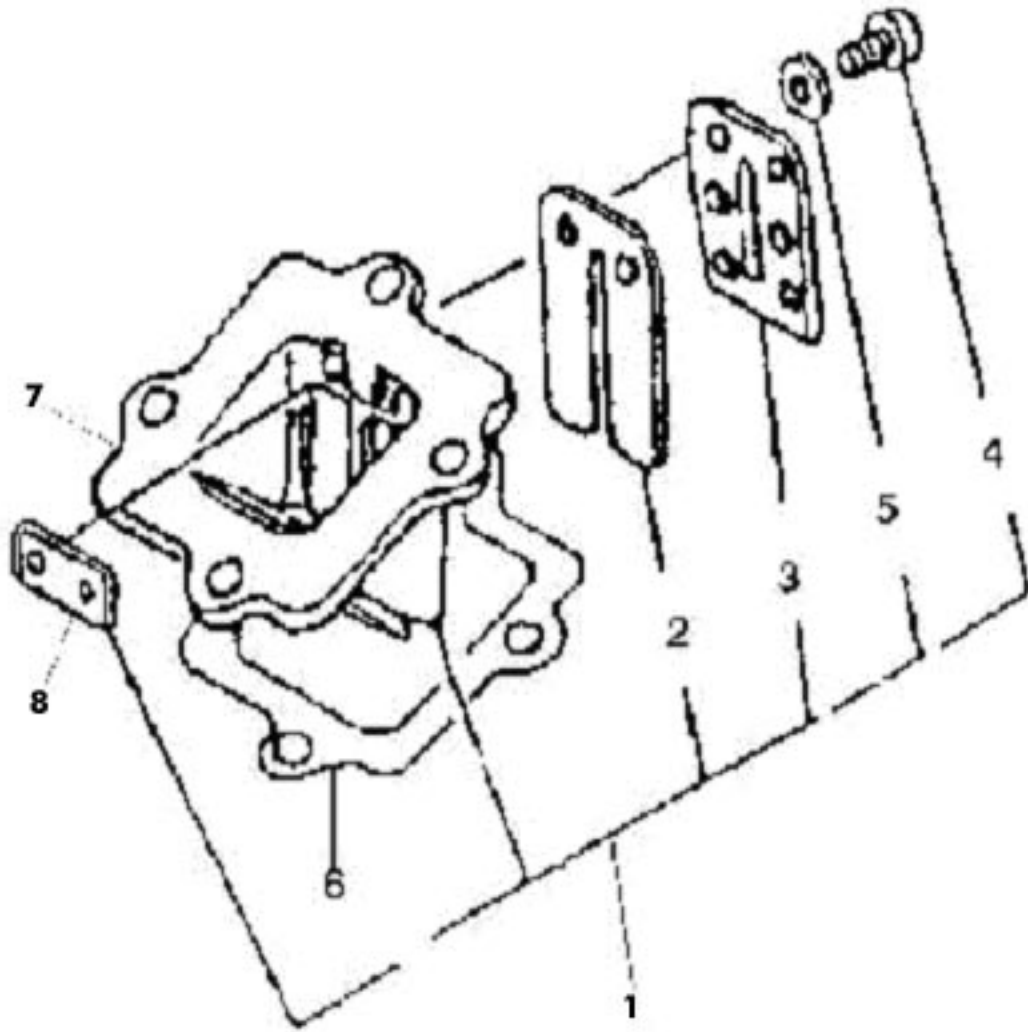
# E8 TRANSMISSION SYSTEM ASSY



<b>E8 TRANSMISSION SYSTEM ASSY</b>			
NO	CODE	DESCRIPTION	QTY
1	T3E01090110	SHAFT, IDLE	1
2	T3E01092030	BEARING 6200	1
3	T3E01090170	WASHER, thrust	1
4	T3E01090130	SHAFT, REAR BOX	1
5	T3E01092050	NEEDLE BEARING 6004	1
6	T3E01092040	OIL SEAL 25X44X7	1
7	T3E01011230	NEEDLE BEARING	1

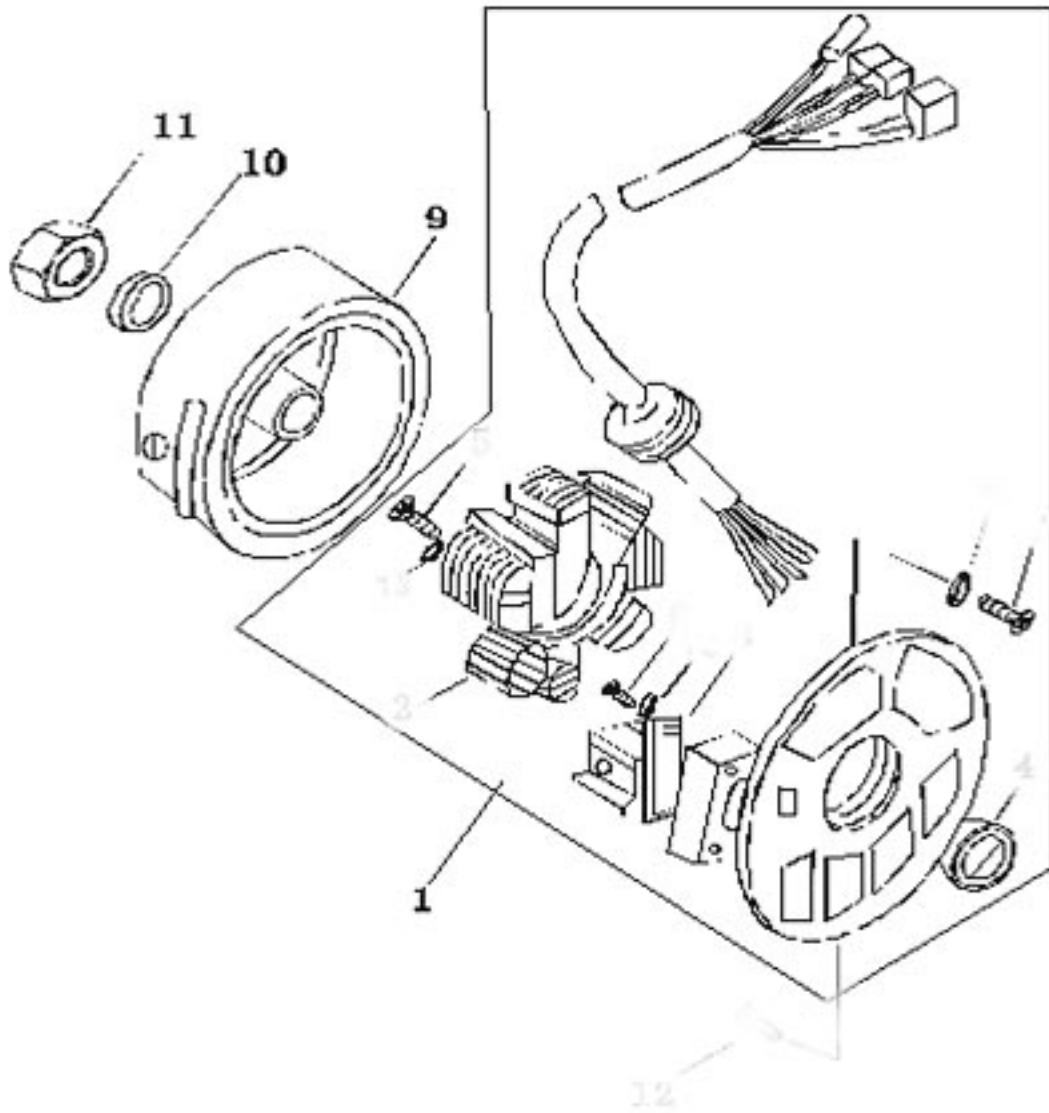


# E9 REED VALVE ASSY



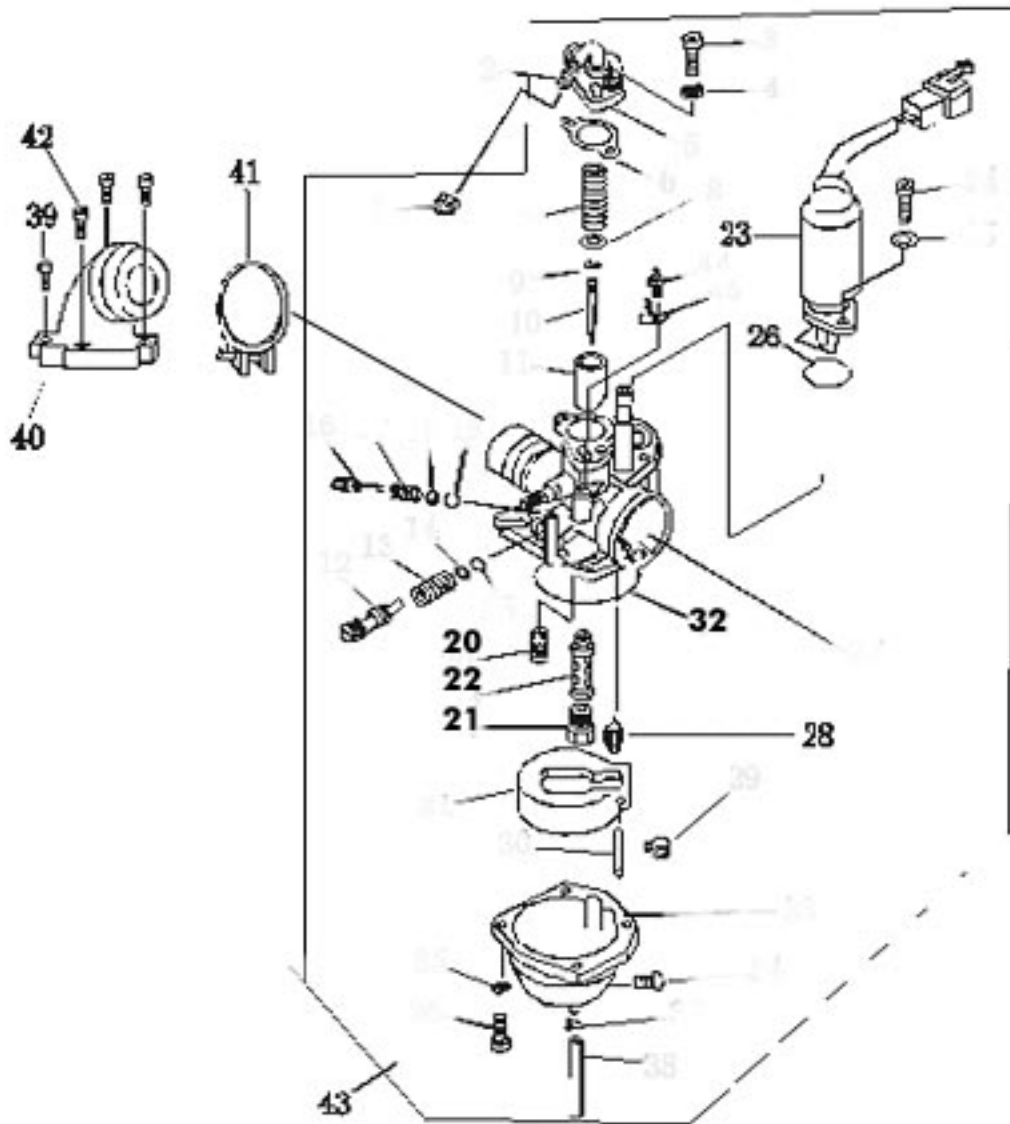
<b>E9 REED VALVE ASSY</b>			
NO	CODE	DESCRIPTION	QTY
1	T3E01060000	REED VALVE ASSY	1
2	T3E01060010	REED VALVE	2
3	T3E01060020	REED VALVE STOPPER	2
4	GB/T818-2000	SCREW M3×8	4
5	GB/T93-87	WASHER	4
6	T3E01060030	VALVE SEAT GASKET	1
7	T3E01060040	VALVE SEAT	1
8	T3E01060050	REED VALVE GASKET	2

# E10 MAGNETO ASSY



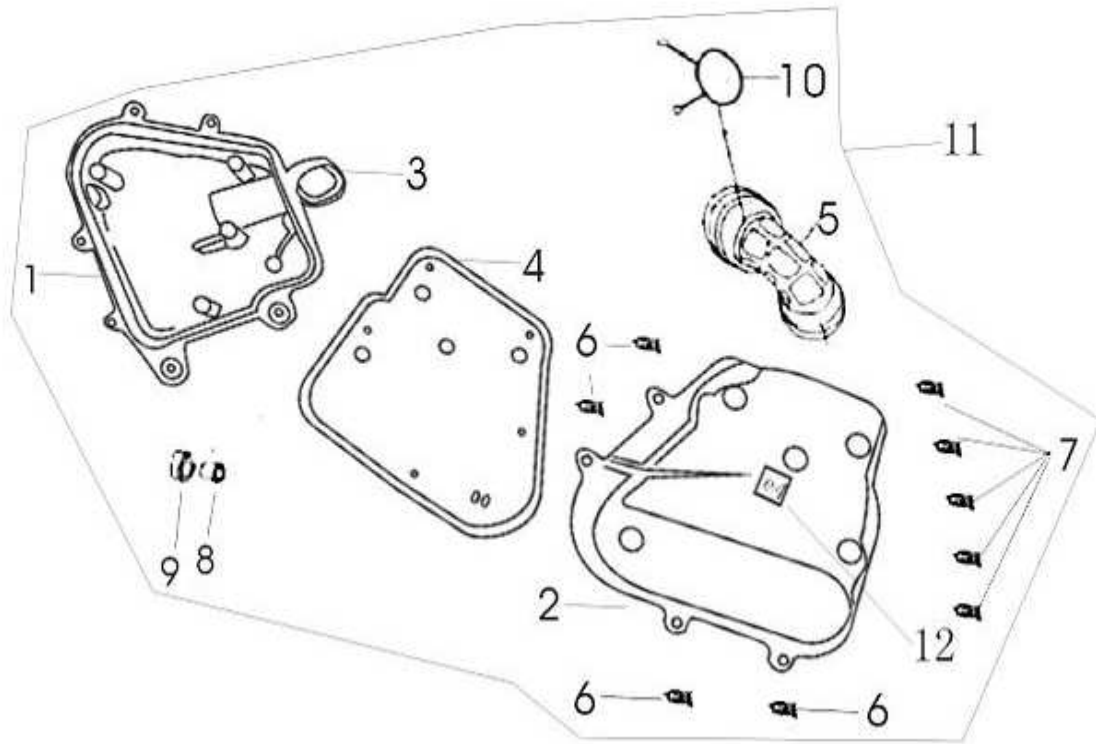
<b>E10 MAGNETO ASSY</b>			
NO	CODE	DESCRIPTION	QTY
1	T3E01131030	STATOR ASSY	1
9	T3E01131020	ROTOR ASSY	1
10	GB/T97.1-1985	WASHER13X23.5X2.5	1
11	GB/T6177.2-2000	NUT M12X1.25	1

# E11 CARBURETOR ASSY



<b>E11 CARBURETOR ASSY</b>			
NO	CODE	DESCRIPTION	QTY
20	T3E01121180	JET, idle	1
21	T3E01121190	JET, main	1
22	T3E01121200	JET, needle	1
23	T3E01121210	THERMO ASSY	1
26	T3E01121220	O RING	1
28	T3E01121240	VALVE, needle	1
32	T3E01121280	GASKET	1
39	GB/T70.1-2000	SCREW M6X20	3
40	T3E01011240	PIPE, intake	1
41	T3E01011300	CLIP	1
42	T3E01011250	SCREW	1
43	T3E01120000	CARBURETOR ASSY	1

# E12 AIR CLEANER



<b>E12 AIR CLEANER</b>			
NO.	CODE	DESCRIPTION	QTY
1	Q0F01140010	CASE,AIR CLEANER	1
2	Q0F01140020	COVER,AIR CLEANER	1
3	Q0F01140030	GUIDE PIPE 11,8	1
4	Q0F01140040	FILTER	1
5	Q0F01140060	CONNECTING PIPE	1
6	B05004212001	TAPPING SCREW M4.2×12	4
7	B05004801603000	TAPPING SCREW M4.2×16	5
8	Q0F01140070	BUSH	2
9	Q0F01140080	GROMMET	2
10	Q0F01140090	CLIP 42.5	1
11	Q0F01140001	AIR CLEANER ASSY	1
12	Q0F18020750	STICKER e4	1