

CONTENTS

| | |
|--------------------------------------|-----------|
| 1. ABOUT THIS PARTS LIST..... | 2 |
| 2. CONTENTS-ENGINE GROUP..... | 3 |
| 3. CONTENTS-FRAME GROUP..... | 5 |
| 4. ENGINE PARTS LIST..... | 9 |
| 5. FRAME PARTS LIST..... | 37 |



ABOUT THIS PARTS LIST

- THIS PARTS LIST IS COMPILED FOR ALL SERVICE PARTS FOR MODEL **CPI 50 cc SERIES**.
- ANY DIFFERENCE BETWEEN COLOR CHART AND MOTORCYCLE WILL BE REVISED ACCORDING TO MOTORCYCLE.
- WHEN MODIFICATION OR ADDITIONS TO THIS PARTS LIST ARE MADE A REVISED EDITION WILL BE ISSUED AT AN APPROPRIATE TIME.

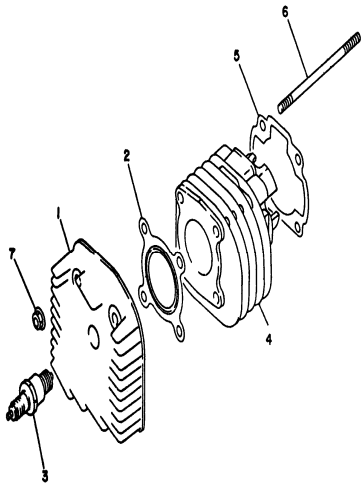


0088121500

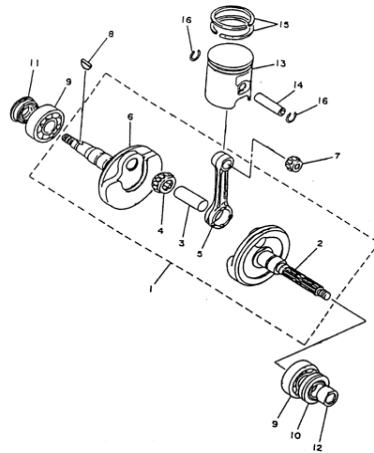
CONTENTS-ENGINE GROUP

50 cc

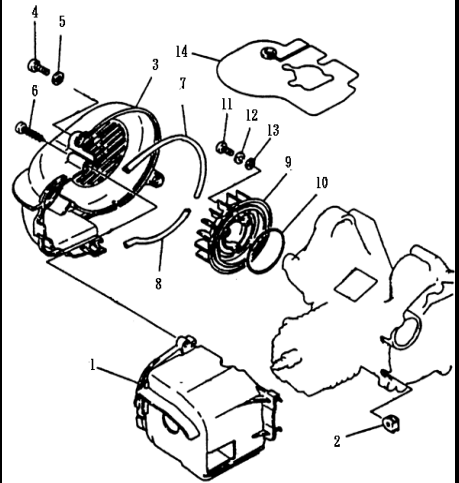
E1 CYLINDER



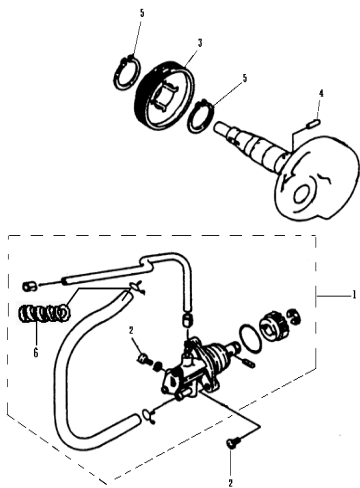
E2 PISTON CRANKSHAFT



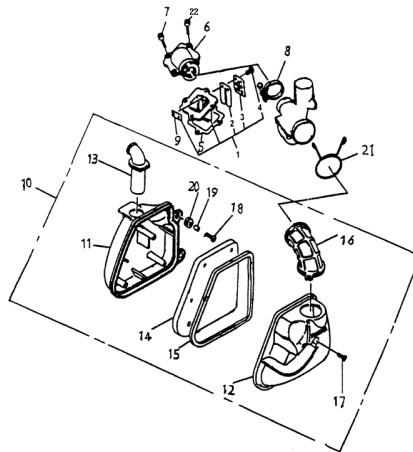
E3 FAN AIR SHROUD



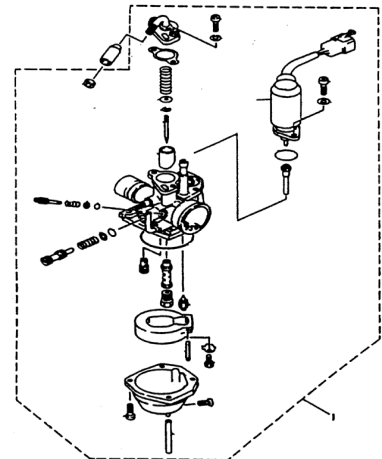
E4 OIL PUMP



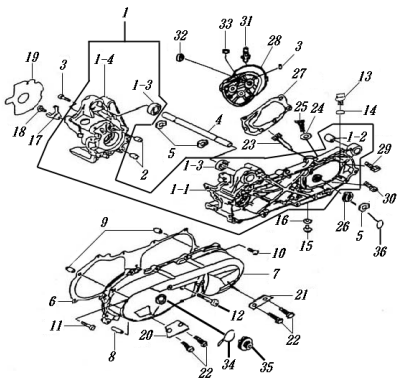
E5 INTAKE



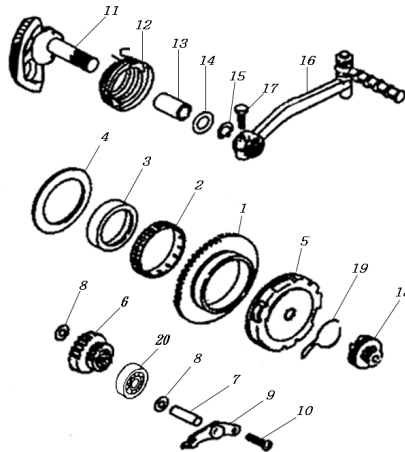
E6 CARBURETOR



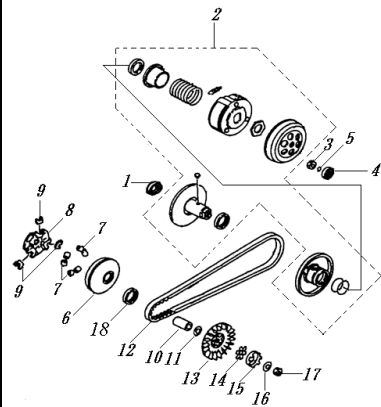
E7 CRANKCASE

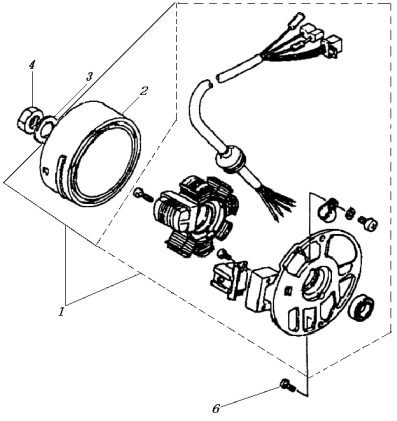
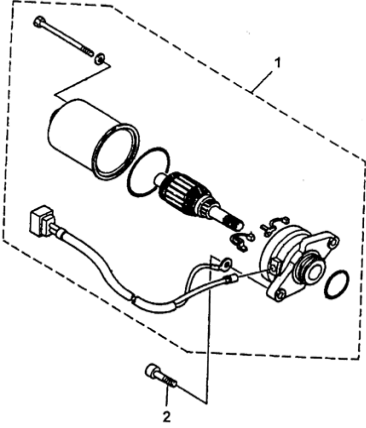
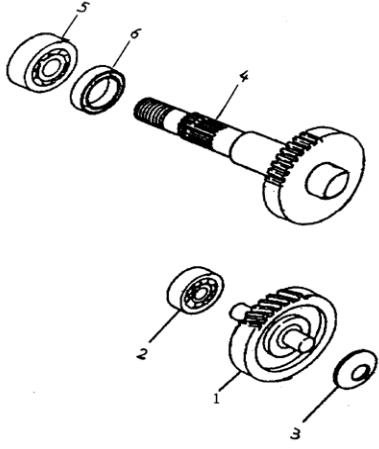


E8 STARTER



E9 CLUTCH

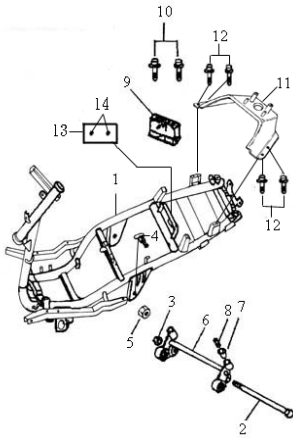


| E10 | GENERATOR | E11 | STARTING MOTOR | E12 | TRANSMISSION |
|---|---|---|----------------|-----|--------------|
|  |  |  | | | |

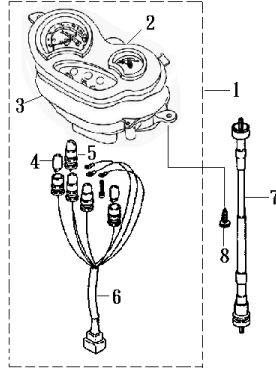
CONTENTS-FRAME GROUP

50 cc

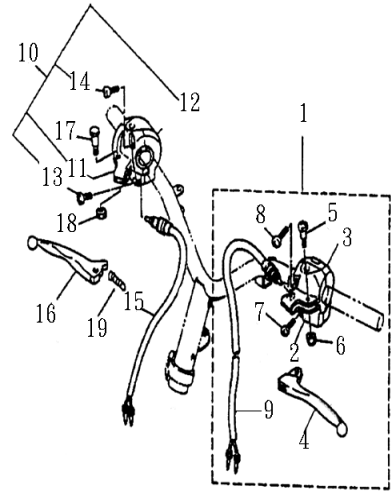
F1 FRAME BODY



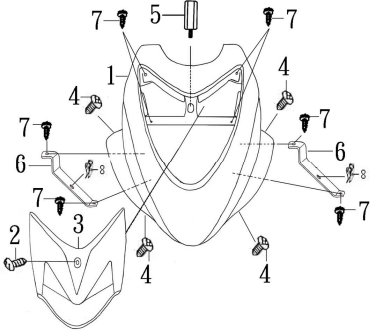
F2 METER



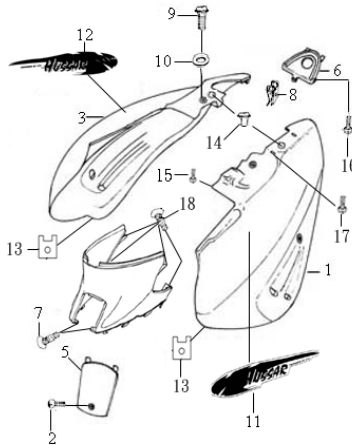
F3 LEVER HANDLE SWITCH



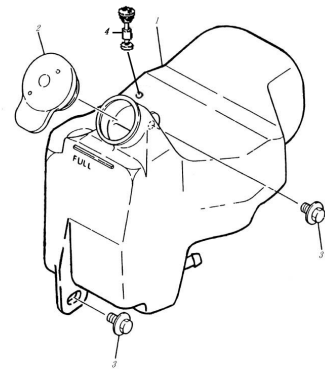
F4 FENDER



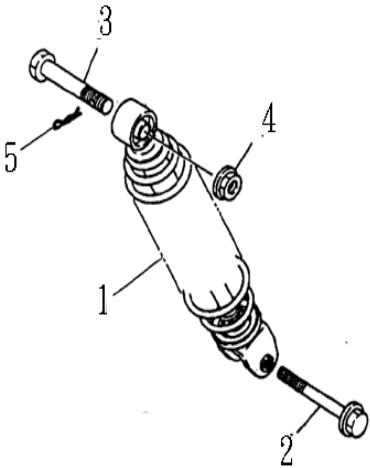
F5 SIDE COVER



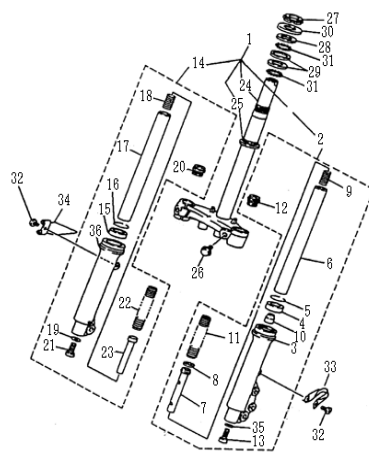
F6 OIL TANK



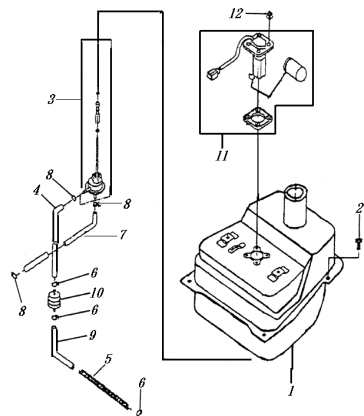
F7 REAR SUSPENSION



F8 FRONT FORK



F9 FUEL TANK



| | | |
|---------------------------|----------------------------------|---------------------------------|
| F10 SEAT | F11 FRONT WHEEL | F12 FRONT BRAKE CALIPER |
| | | |
| F13 REAR WHEEL | F14 CABLE STEERING HANDLE | F15 FRONT MASTER CALIPER |
| | | |
| F16 STAND FOOTREST | F17 LEG SHIELD | F18 COWLING |
| | | |

| | | |
|--------------------------------|--------------------------------|--------------------------------|
| <p>F19 HEAD LIGHT</p> | <p>F20 TAIL LIGHT</p> | <p>F21 EXHAUST</p> |
| <p>F22 SWITCH ASSY.</p> | <p>F23 ELECTRICAL 1</p> | <p>F24 ELECTRICAL 2</p> |



**ENGINE
PARTS LIST**

CPI

61C-00320-79-02

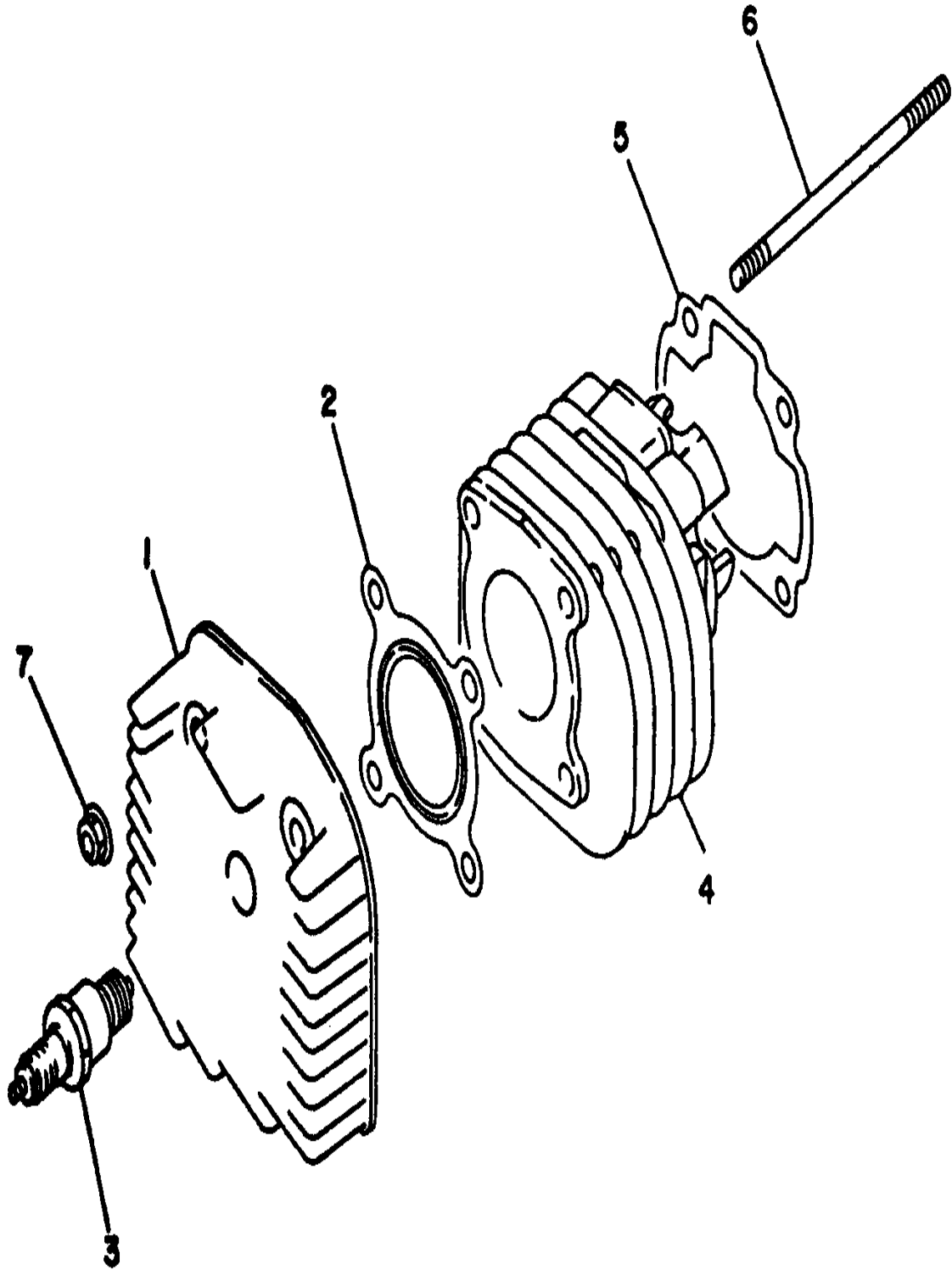
900206

CPI MOTORCYCLE

E1

CYLINDER

50 cc



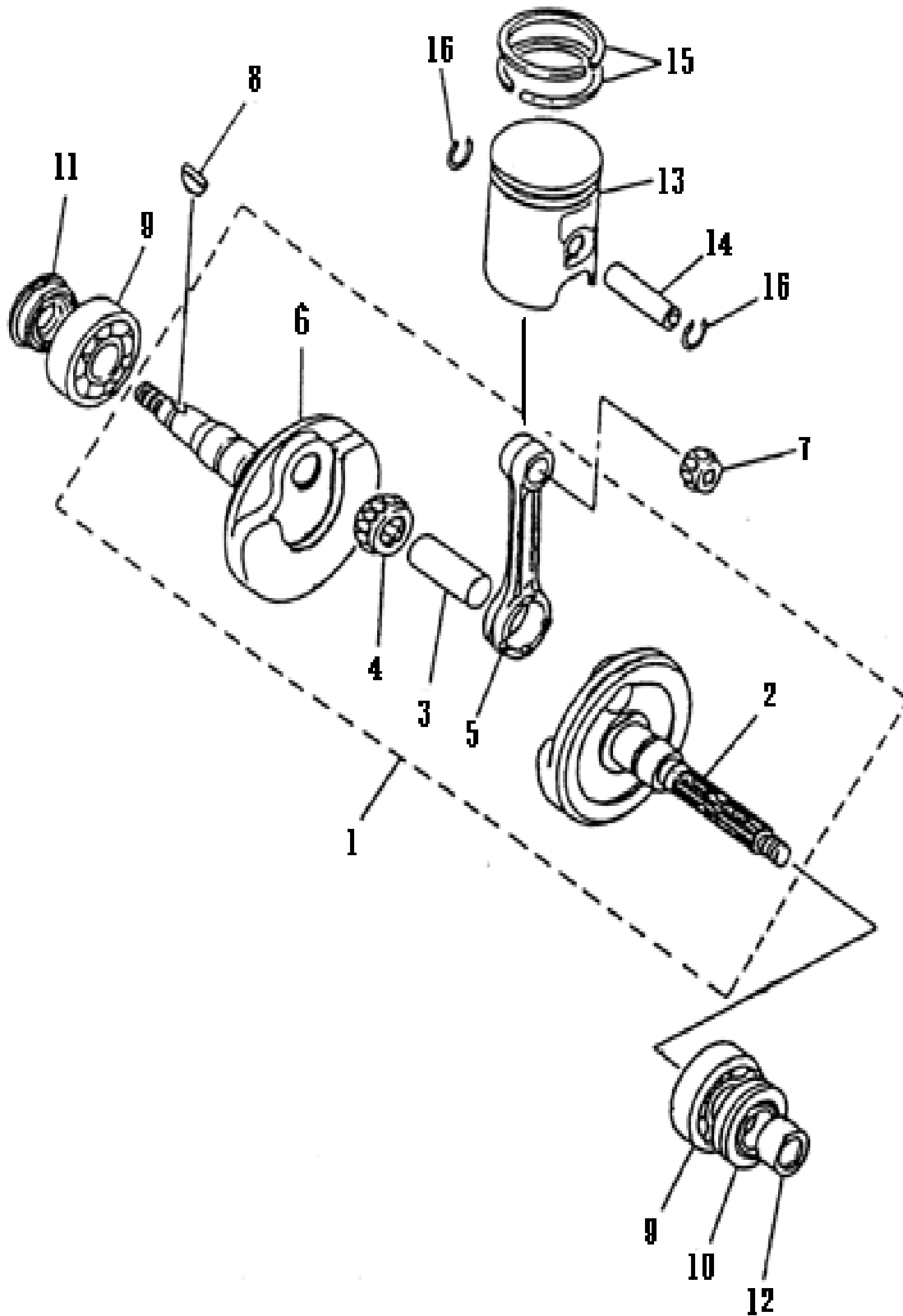
E1***CYLINDER***

| ITEM | PARTS NO. | DESCRIPTION | REQD. NO. | |
|------|-----------------|----------------------|-----------|--|
| | | | 50cc | |
| 1 | F01-02511-00-00 | CYLINDER HEAD | 1 | |
| 2 | 61A-08111-00-00 | CYLINDER HEAD GASKET | 1 | |
| 3 | F04-23111-00-00 | SPARK PLUG (L82YC) | 1 | |
| 4 | 61A-02400-00-00 | CYLINDER | 1 | |
| 5 | F01-08216-00-00 | CYLINDER GASKET | 1 | |
| 6 | 61A-02422-00-00 | STUD BOLT 7X109 | 4 | |
| 7 | S-4050-07000-04 | FLANGE NUT 7MM | 4 | |

E2

PISTON CRANKSHAFT

50 cc



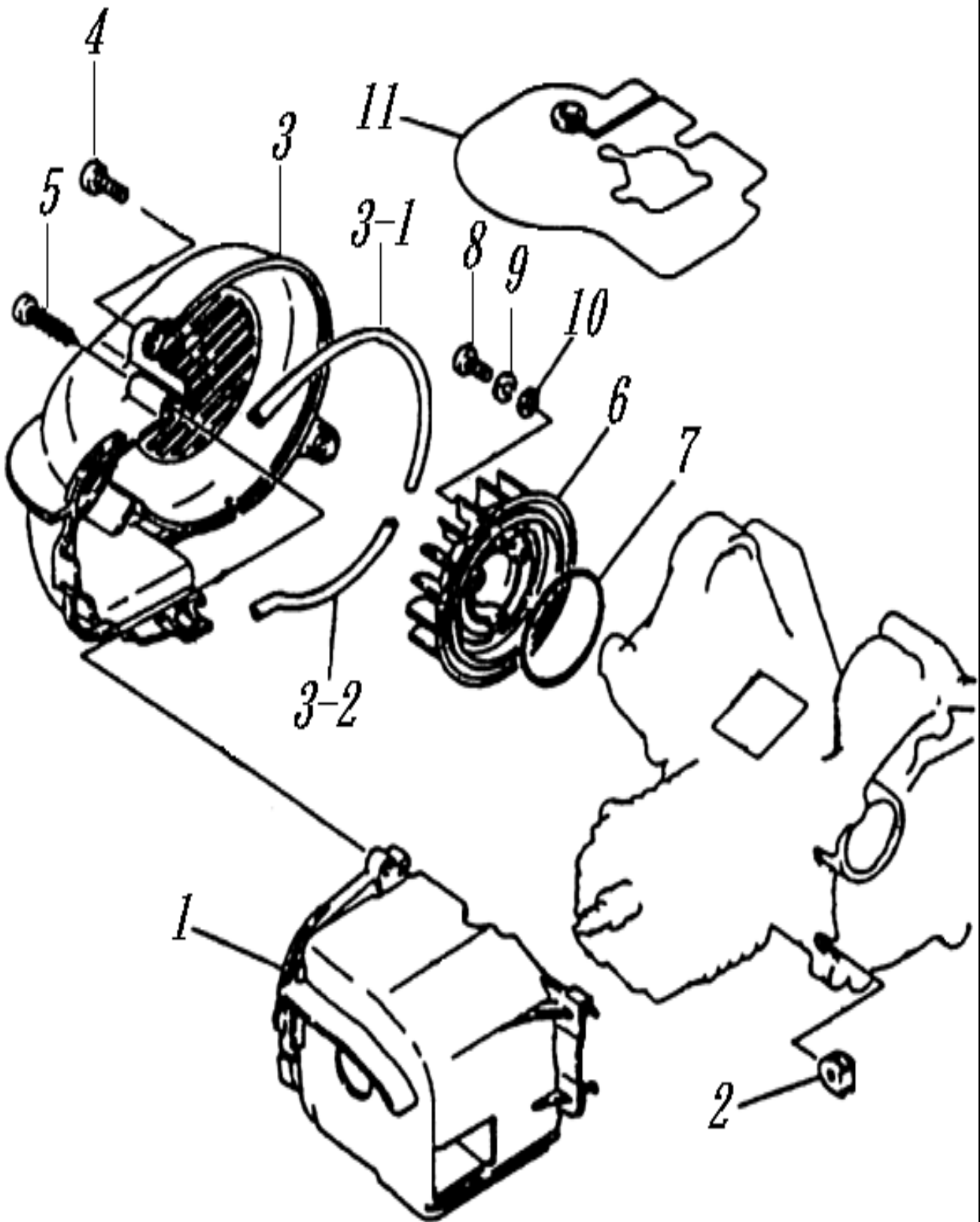
E2**CRANKSHAFT / PISTON**

| ITEM | PARTS NO. | DESCRIPTION | REQD. NO. | |
|------|-----------------|---------------------------|-----------|--|
| | | | 50cc | |
| 1 | 61A-04100-00-00 | CRANK SHAFT COMP. | 1 | |
| 2 | 61A-04112-00-00 | L. CRANK SHAFT | 1 | |
| 3 | 61A-04131-00-00 | CRANK PIN | 1 | |
| 4 | 61A-04115-00-00 | CON-ROD BIG END BRG. | 1 | |
| 5 | 61A-04114-00-00 | CONNECTING ROD | 1 | |
| 6 | 61A-04111-00-00 | R. CRANK SHAFT | 1 | |
| 7 | 61A-04116-00-00 | CON-ROD SMALL END BRG. | 1 | |
| 8 | 61A-04151-10-00 | WOORDRUFF KEY 3X13 | 1 | |
| 9 | S-6129-06204-00 | BALL BEARING 6204JR2CS31P | 2 | |
| 10 | S-1238-20042-80 | OIL SEAL 20 42/43 8/9 | 1 | |
| 11 | 61A-01113-00-00 | OIL SEAL 6206 | 1 | |
| 12 | 61A-04153-00-00 | STARTER COLLAR | 1 | |
| 13 | 61A-02611-00-00 | PISTON COMP. | 1 | |
| 14 | 61A-02631-00-00 | PISTON PIN | 1 | |
| 15 | 61A-02620-00-00 | PISTON RING | 2 | |
| 16 | S-4602-10100-00 | PISTON PIN CLIP 10MM | 2 | |

E3

FAN
AIR SHROUD

50 cc



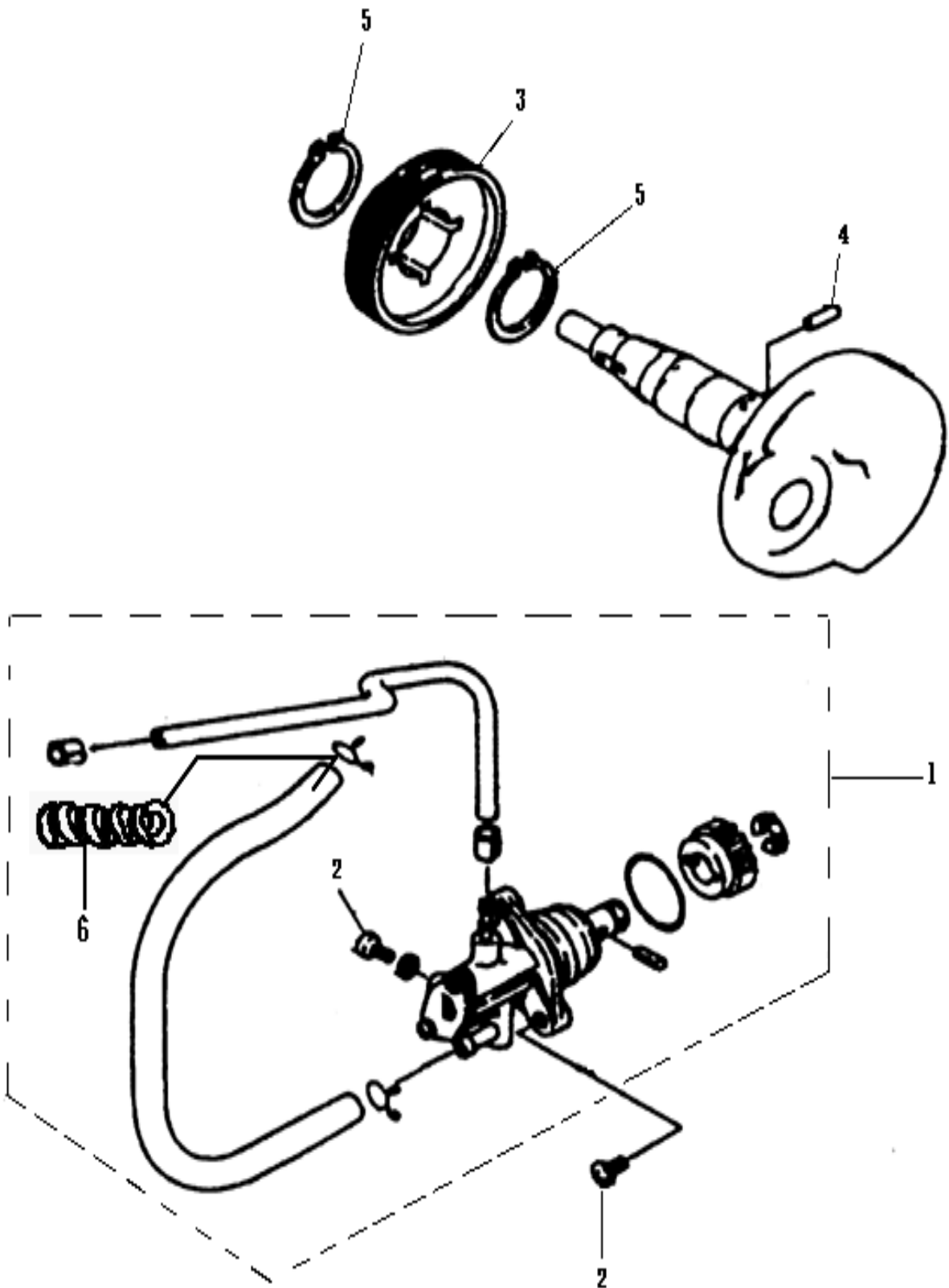
E3**AIR SHROUD / FAN**

| ITEM | PARTS NO. | DESCRIPTION | REQD. NO. | |
|------|-----------------|---------------------|-----------|--|
| | | | 50cc | |
| 1 | 61A-07140-00-00 | SHROUD COMP. | 1 | |
| 2 | 61A-07143-00-00 | SHROUD GROMMET | 2 | |
| 3 | 61A-07110-00-00 | FAN COVER ASSY. | 1 | |
| 3-1 | 61A-07115-00-00 | SHROUD DAMPER A | 1 | |
| 3-2 | 61A-07117-00-00 | SHROUD DAMPER B | 1 | |
| 4 | S-3891-06020-04 | PAN HEAD SCREW 6X20 | 2 | |
| 5 | S-3911-06040-01 | TAPPING SCREW 6X40 | 1 | |
| 6 | 61A-07161-00-00 | COOLING FAN COMP. | 1 | |
| 7 | S-1305-31644-00 | O-RING 64.4X3.1 | 1 | |
| 8 | S-3500-06016-03 | PAN HEAD SCREW 6X16 | 3 | |
| 9 | S-4101-06113-50 | SEALING WASHER 6MM | 3 | |
| 10 | S-4111-06103-00 | SPRING WASHER 6MM | 3 | |
| 11 | 61A-07151-00-00 | DEFLECTOR | 1 | |

E4

OIL PUMP

50 cc



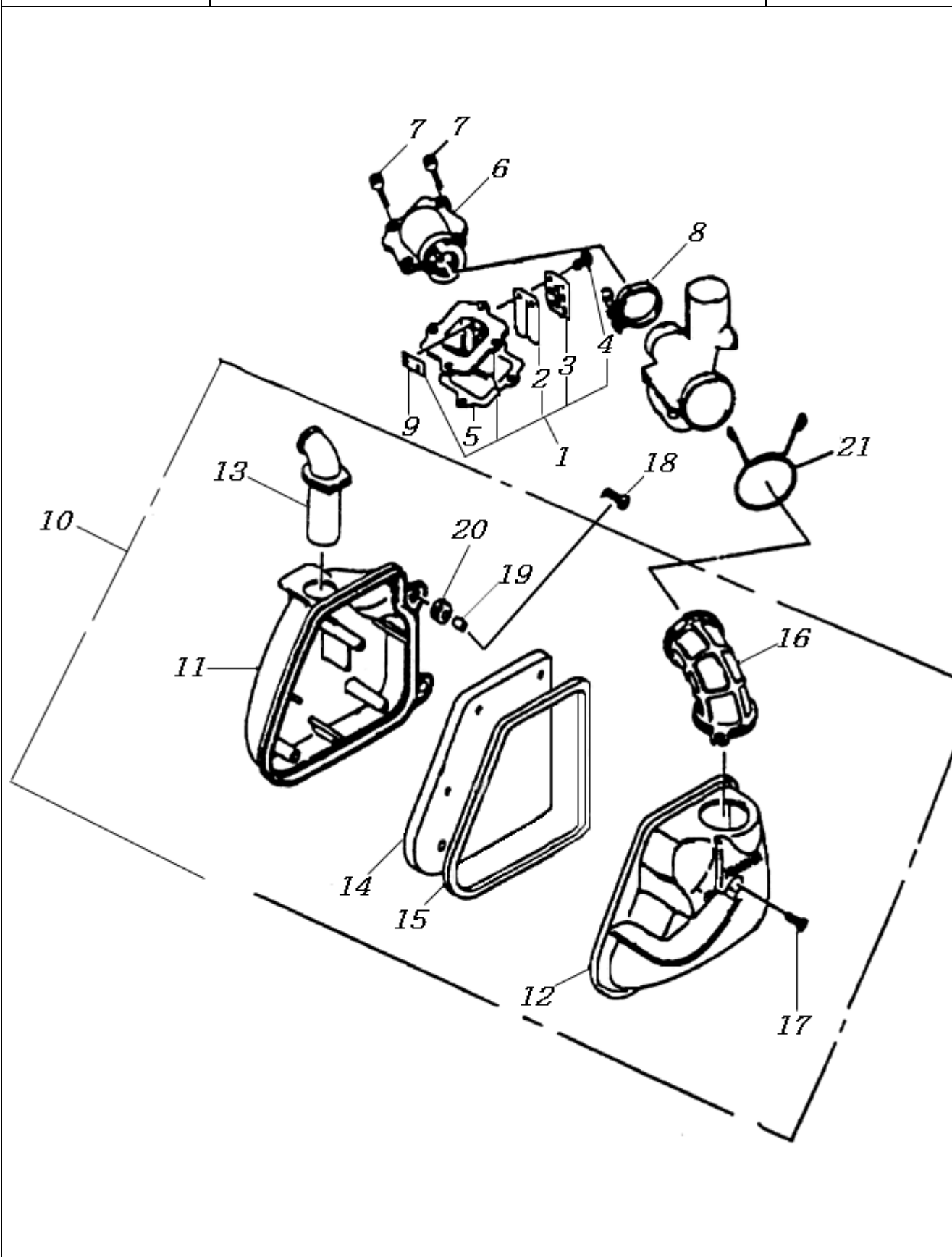
E4***OIL PUMP***

| ITEM | PARTS NO. | DESCRIPTION | REQD. NO. | |
|------|-----------------|----------------------|-----------|--|
| | | | 50cc | |
| 1 | 61A-05100-00-00 | OIL PUMP ASSY. | 1 | |
| 2 | S-3500-05014-03 | PAN HEAD SCREW 5X14 | 2 | |
| 3 | 61A-05211-00-00 | OIL PUMP DRIVEN GEAR | 1 | |
| 4 | S-4302-03117-00 | DOWEL PIN 3X11.7 | 1 | |
| 5 | S-4511-12190-00 | CIR-CLIP 19MM | 2 | |
| 6 | 61A-05139-00-00 | OIL TUBE SPRING | 1 | |

E5

INTAKE

50 cc



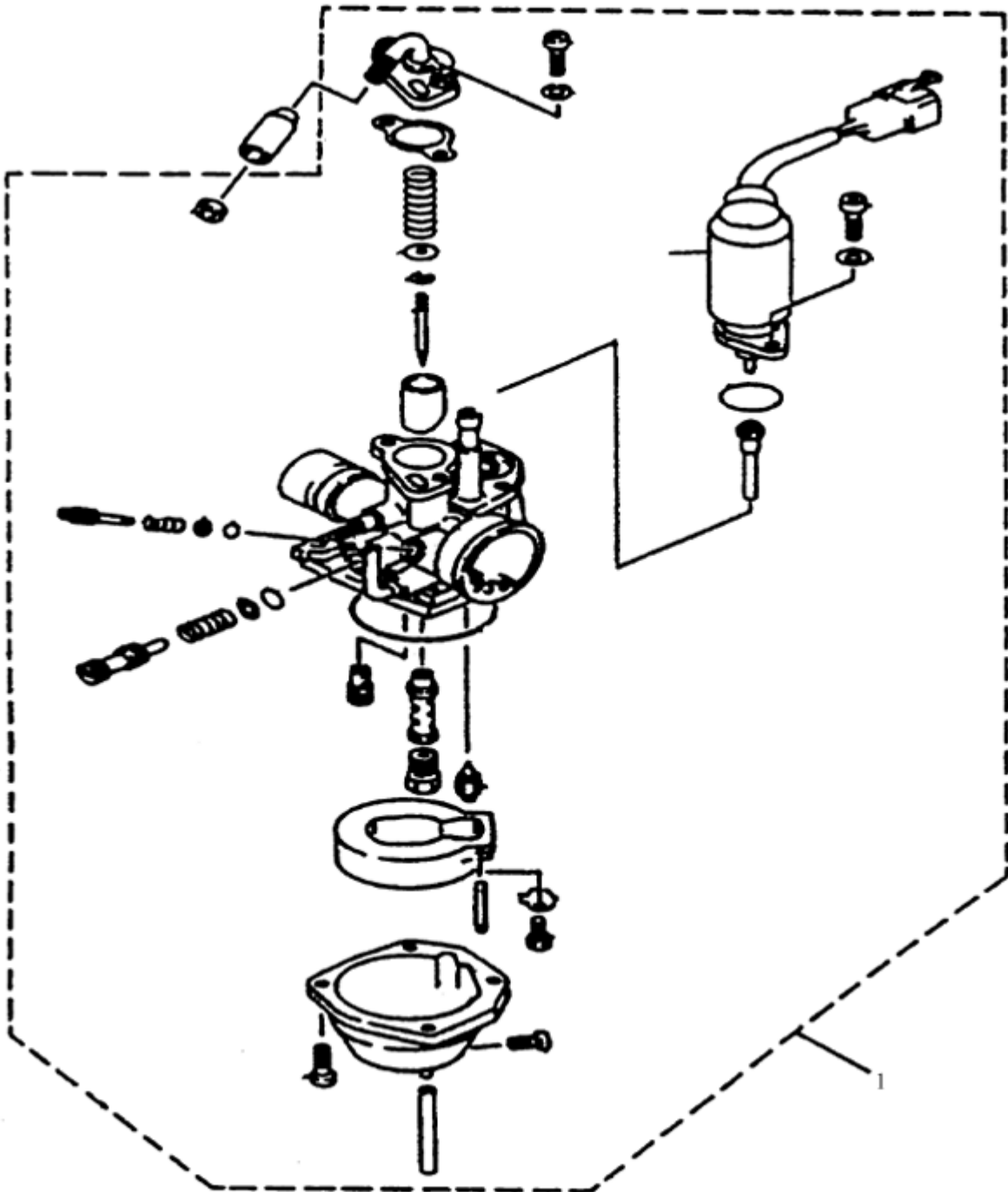
E5**INTAKE**

| ITEM | PARTS NO. | DESCRIPTION | REQD. NO. | |
|------|-----------------|----------------------|-----------|--|
| | | | 50cc | |
| 1 | 61A-09240-00-00 | REED VALVE ASSY. | 1 | |
| 2 | 61A-09241-00-00 | REED VALVE | 2 | |
| 3 | 61A-09246-00-00 | REED VALVE STOPPER | 2 | |
| 4 | S-3892-03008-01 | SCREW W/WASHER 3X8 | 4 | |
| 5 | F01-08251-00-00 | VALVE SEAT GASKET | 1 | |
| 6 | 61A-09211-00-00 | INTAKE MANIFOLD | 1 | |
| 7 | S-6700-06020-02 | SOCKET BOLT 6X20 | 4 | |
| 8 | 61A-09231-00-00 | HOSE CLAMP | 1 | |
| 9 | 61A-09243-00-00 | REED VALVE PLATE | 2 | |
| 10 | B01-09110-00-00 | AIR CLEANER ASSY. | 1 | |
| 11 | B01-09111-00-00 | AIR CLEANER CASE,1 | 1 | |
| 12 | B01-09112-00-00 | AIR CLEANER CAP,1 | 1 | |
| 13 | B01-09113-00-00 | DUCT | 1 | |
| 14 | B01-09114-00-00 | AIR CLEANER ELEMENT | 1 | |
| 15 | B01-09115-00-00 | SEAL,1 | 1 | |
| 16 | B01-09131-00-00 | AIR CLEANER JOINT,1 | 1 | |
| 17 | S-3915-05025-02 | TAPPING SCREW 5X25 | 3 | |
| 18 | S-3891-06020-04 | SCREW W/W ASHER 6X20 | 2 | |
| 19 | B01-09186-00-00 | COLLAR | 2 | |
| 20 | B01-09185-00-00 | GROMMET | 2 | |
| 21 | A-4201-23425-00 | CLIP 42.5MM | 1 | |

E6

CARBURETOR

50 cc



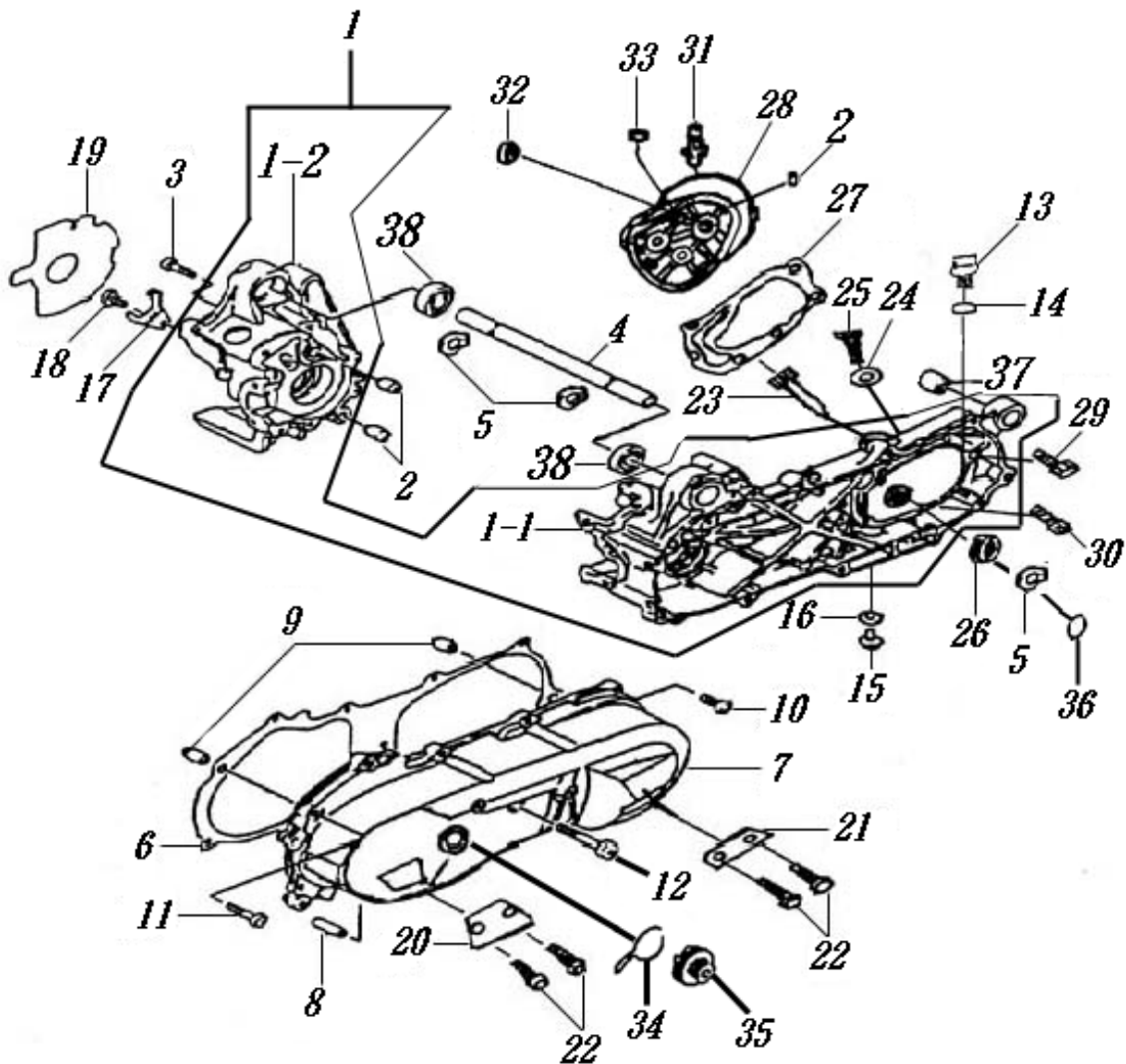
E6***CARBURETOR***

| ITEM | PARTS NO. | DESCRIPTION | REQD. NO. | |
|------|-----------------|----------------------|-----------|--|
| | | | 50cc | |
| 1 | 61A-09400-10-00 | CARBURETOR ASSY. 61A | 1 | |

E7

CRANKCASE

50 cc



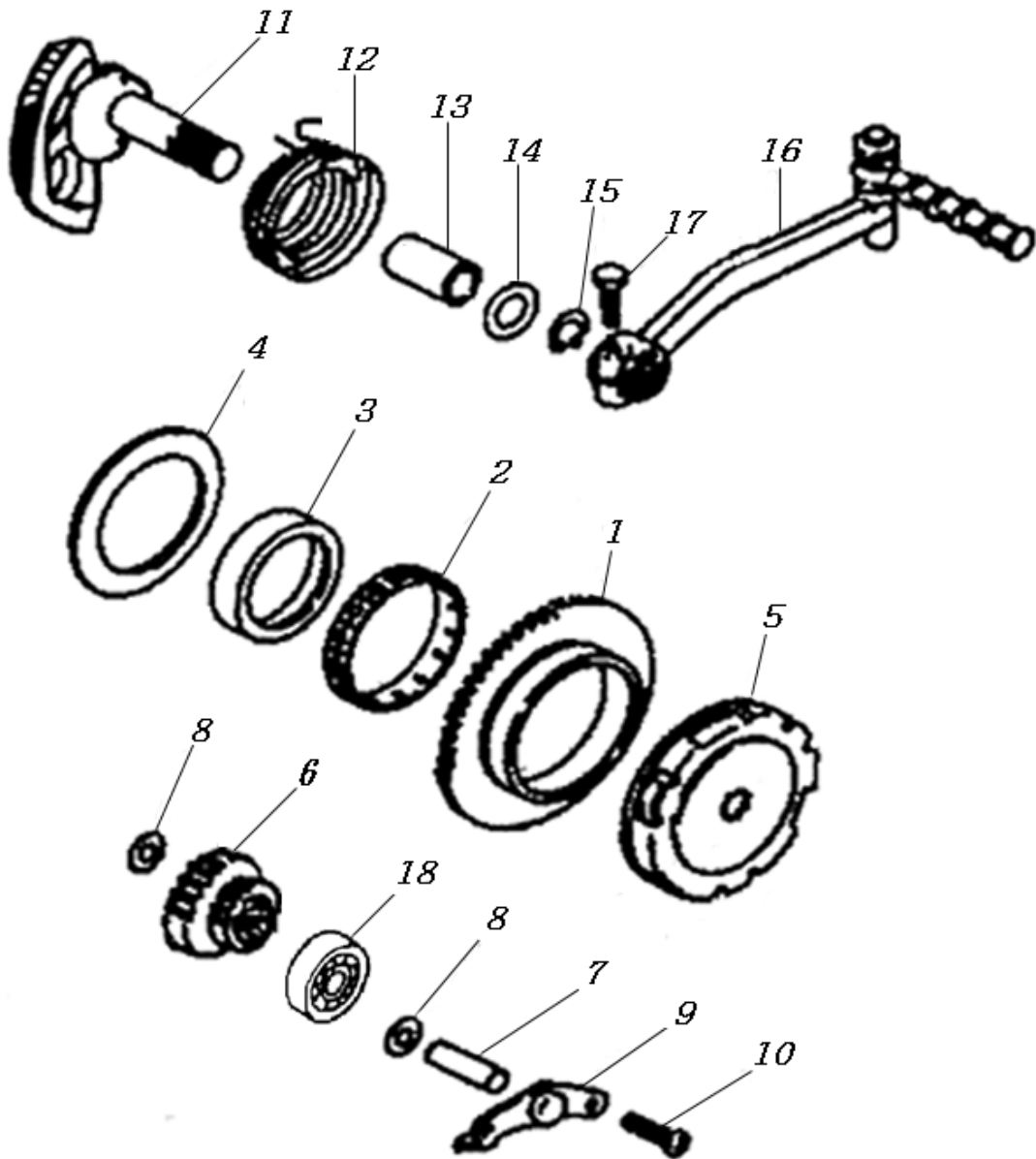
E7**CRANKCASE**

| ITEM | PARTS NO. | DESCRIPTION | REQD. NO. | |
|------|-----------------|-----------------------------|-----------|--|
| | | | 50cc | |
| 1 | 61C-01000-00-00 | R/L CRANK CASE ASSY. | 1 | |
| 1-1 | 61C-01201-10-00 | L. CRANK CASE COMP. | 1 | |
| 1-2 | F02-01101-00-00 | R. CRANK CASE 61A | 1 | |
| 2 | S-4301-12160-00 | DOWEL PIN 12X16 | 4 | |
| 3 | S-3500-06035-03 | PAN HEAD SCREW 6X35 | 6 | |
| 4 | 61C-01141-00-00 | ENGINE MOUNT SPACER | 1 | |
| 5 | S-4511-10170-00 | CIR-CLIP 17MM | 3 | |
| 6 | F02-08241-00-00 | L. COVER GASKET | 1 | |
| 7 | 61A-01310-00-79 | L. COVER COMP. | 1 | |
| 8 | 61A-17221-00-00 | START. IDLE GEAR SHAFT | 1 | |
| 9 | S-4301-10140-00 | DOWEL PIN 10X14 | 2 | |
| 10 | S-6000-06025-02 | FLANGE BOLT 6X25 | 8 | |
| 11 | S-6001-06035-02 | FLANGE BOLT 6X35 | 2 | |
| 12 | S-6001-06065-02 | FLANGE BOLT 6X65 | 1 | |
| 13 | 61A-01251-00-00 | OIL PLUG | 1 | |
| 14 | S-1305-24138-00 | O-RING 13.8X2.4 | 1 | |
| 15 | S-5800-08012-03 | SPECIAL BOLT 8X12 | 1 | |
| 16 | S-4101-08143-50 | PLATE WASHER 8MM | 1 | |
| 17 | 61A-01161-00-00 | OIL SEAL HOLDER | 1 | |
| 18 | S-3500-06012-03 | PAN HEAD SCREW 6X12 | 1 | |
| 19 | F01-08256-00-00 | A.C.G. GASKET | 1 | |
| 20 | 61A-01327-00-00 | FRONT BREATHER CAP. | 1 | |
| 21 | 61A-01328-00-00 | REAR BREATHER CAP. | 1 | |
| 22 | S-3500-05010-02 | PAN HEAD SCREW 5X10 | 4 | |
| 23 | 61C-15111-00-00 | DRIVE SHAFT | 1 | |
| 24 | S-4101-06193-00 | PLATE WASHER 6MM | 1 | |
| 25 | S-3500-06010-03 | PAN HEAD SCREW 6X10 | 1 | |
| 26 | S-6120-06202-00 | BALL BEARING 6202 | 1 | |
| 27 | F01-08203-00-00 | MISSION CASE GASKET | 1 | |
| 28 | 61C-01501-00-00 | MISSION CASE | 1 | |
| 29 | S-5701-08055-01 | FLANGE BOLT 8X55 | 2 | |
| 30 | S-5701-08050-01 | FLANGE BOLT 8X50 | 5 | |
| 31 | 61A-01261-00-00 | BRAKE SHOE ANCHOR PIN | 1 | |
| 32 | S-1305-19068-00 | O-RING 6.8X1.9 | 1 | |
| 33 | S-4051-08000-01 | FLANGE NUT 8MM | 1 | |
| 34 | 61A-17224-00-00 | START. GEAR FRICTION SPRING | 1 | |
| 35 | 61A-17211-00-00 | START. IDLE GEAR COMP. | 1 | |
| 36 | S-1201-17035-70 | OIL SEAL 17X35X7 | 1 | |
| 37 | 61A-01223-00-00 | ENG. HANGER RUB. BUSH C | 1 | |
| 38 | S-6120-06003-40 | BALL BEARING 6003LU | 2 | |

E8

STARTER

50 cc



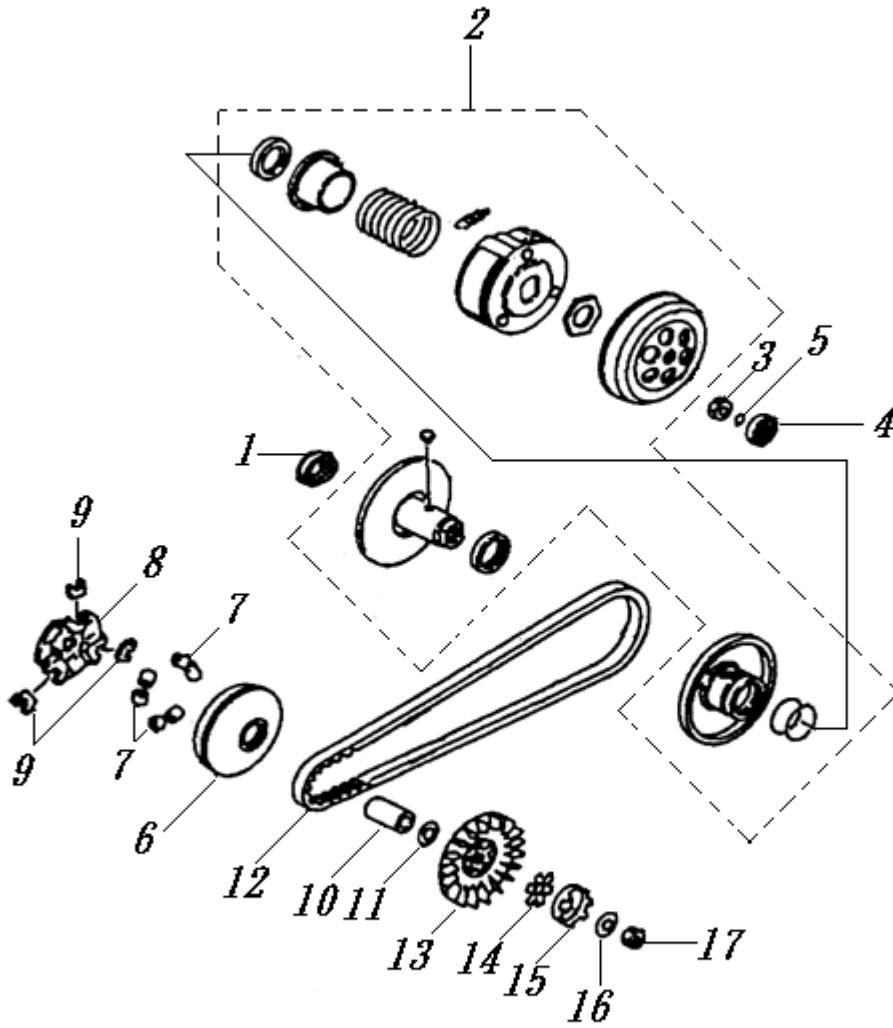
E8**STARTER**

| ITEM | PARTS NO. | DESCRIPTION | REQD. NO. | |
|------|-----------------|---------------------------|-----------|--|
| | | | 50cc | |
| 1 | 61A-22511-00-00 | STARTER CLUTCH GEAR COMP. | 1 | |
| 2 | 61A-22423-00-00 | NEEDLE BEARING | 1 | |
| 3 | 61A-22521-00-00 | GEAR BOSS | 1 | |
| 4 | 61A-22434-00-00 | PLAIN WASHER 55X75X0.5 | 1 | |
| 5 | 61A-22410-00-00 | STARTER CLUTCH OUTER ASSY | 1 | |
| 6 | 61A-22311-00-00 | STARTER IDLE GEAR | 1 | |
| 7 | 61A-22321-00-00 | STARTER GEAR SHAFT | 1 | |
| 8 | S-4101-08165-24 | PLATE WASHER 8MM | 2 | |
| 9 | 61A-22341-00-00 | STARTER IDLE GEAR PLATE | 1 | |
| 10 | S-3500-06012-03 | PAN HEAD SCREW 6X12 | 2 | |
| 11 | 61A-17131-00-00 | KICK START. SPINDLE COMP. | 1 | |
| 12 | 61A-17141-00-00 | KICK STARTER SPRING | 1 | |
| 13 | 61A-17172-00-00 | KICK SPINDLE BUSH | 1 | |
| 14 | S-4101-15283-24 | PLATE WASHER 15.2X28X1 | 1 | |
| 15 | S-4511-10150-00 | CIR-CLIP 15MM | 1 | |
| 16 | 61A-17111-00-00 | KICK STARTER ARM | 1 | |
| 17 | S-2000-06025-01 | HEX. BOLT 6X25 | 1 | |
| 18 | S-6130-00810-70 | NEEDLE BEARING HK0810 | 1 | |

E9

CLUTCH

50 cc



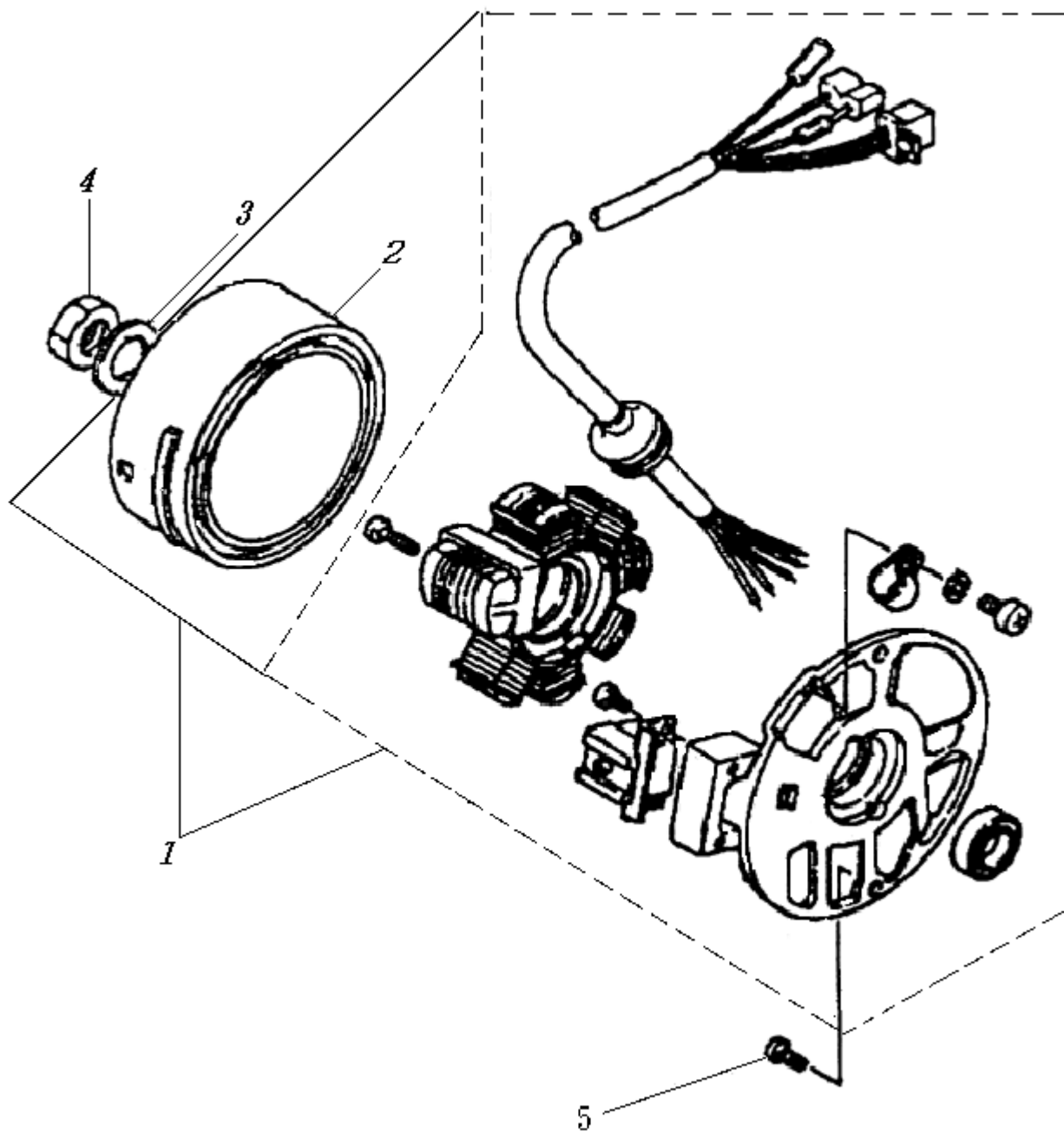
E9***CLUTCH***

| ITEM | PARTS NO. | DESCRIPTION | REQD. NO. | |
|------|-----------------|----------------------------|-----------|--|
| | | | 50cc | |
| 1 | S-6123-06203-00 | BALL BEARING 6203C3 | 1 | |
| 2 | F01-12400-00-00 | DRIVEN PULLEY ASSY. | 1 | |
| 3 | S-4050-10000-04 | FLANGE NUT 10MM | 1 | |
| 4 | S-6120-00638-10 | BALL BEARING 638Z | 1 | |
| 5 | S-1305-31065-00 | O-RING 6.45X3.1 | 1 | |
| 6 | F01-12110-00-00 | MOVABLE DRIVE FACE COMP. | 1 | |
| 7 | F01-12121-00-00 | WEIGHT ROLLER COMP. | 6 | |
| 8 | 61A-12123-00-00 | RAMP PLATE | 1 | |
| 9 | 61A-12124-00-00 | SLIDE PIECE | 3 | |
| 10 | 61A-12133-00-00 | DRIVE FACE BOSS | 1 | |
| 11 | S-4101-13183-21 | PLATE WASHER 13MM | 1 | |
| 12 | 61A-12211-00-00 | DRIVE BELT | 1 | |
| 13 | 61A-12131-00-00 | DRIVE FACE | 1 | |
| 14 | 61A-12136-00-00 | CLAW WASHER | 1 | |
| 15 | 61A-17261-00-00 | KICK RATACHET | 1 | |
| 16 | S-4102-10246-00 | CONICAL SPRING WASHER 10MM | 1 | |
| 17 | S-4001-10000-04 | HEX. NUT 10MM | 1 | |

E10

GENERATOR

50 cc



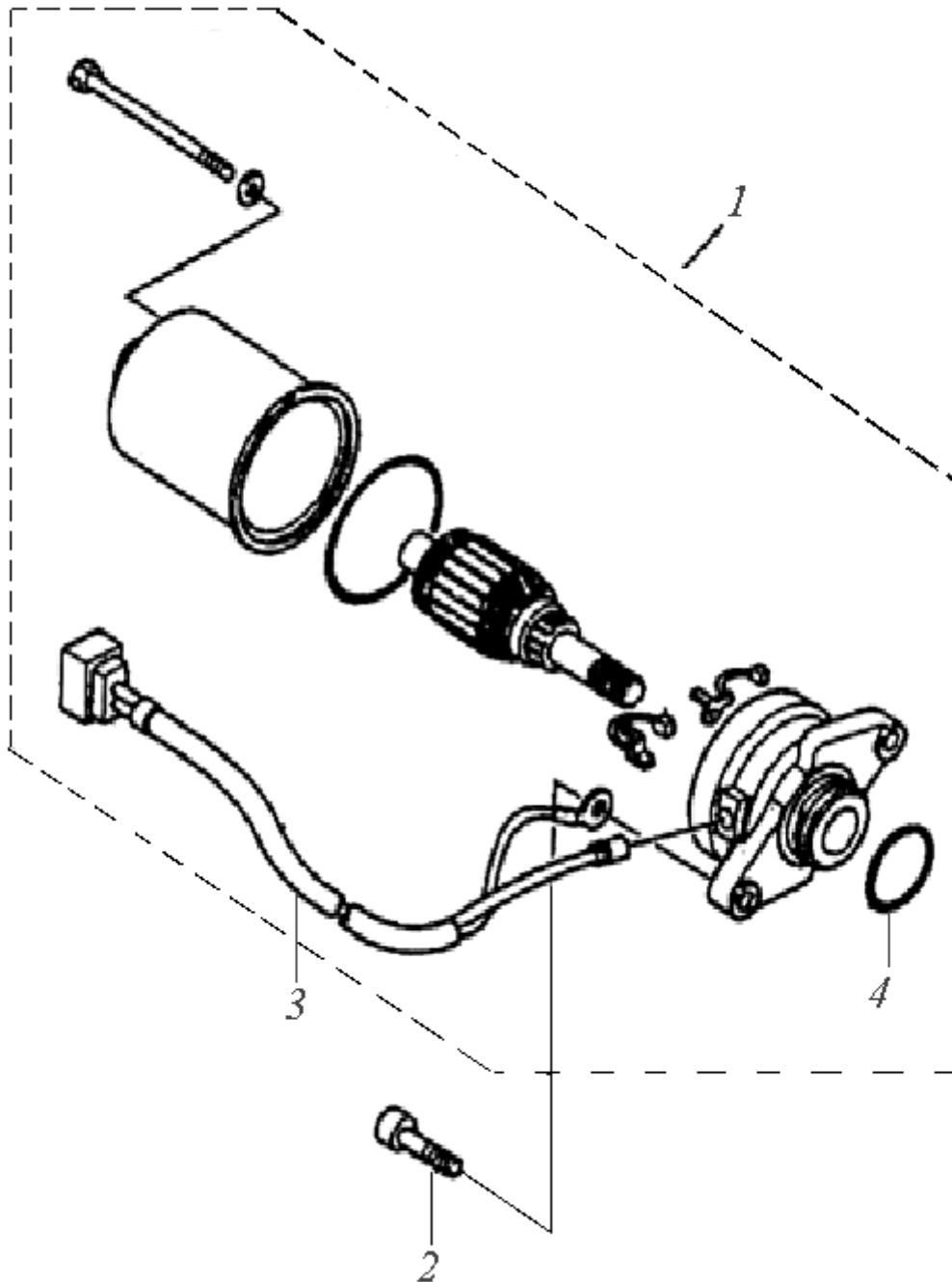
E10**GENERATOR**

| ITEM | PARTS NO. | DESCRIPTION | REQD. NO. | |
|------|-----------------|------------------------|-----------|--|
| | | | 50cc | |
| 1 | F02-21100-00-00 | A.C.G. ASSY. | 1 | |
| 2 | 61A-21110-00-00 | A.C.G. FLYWHEEL COMP. | 1 | |
| 3 | S-4101-10185-27 | PLAIN WASHER 10.3X18X2 | 1 | |
| 4 | S-4001-10000-04 | HEX. NUT 10MM | 1 | |
| 5 | S-3500-06016-03 | PAN HEAD SCREW 6X16 | 2 | |

E11

STARTING MOTOR

50 cc



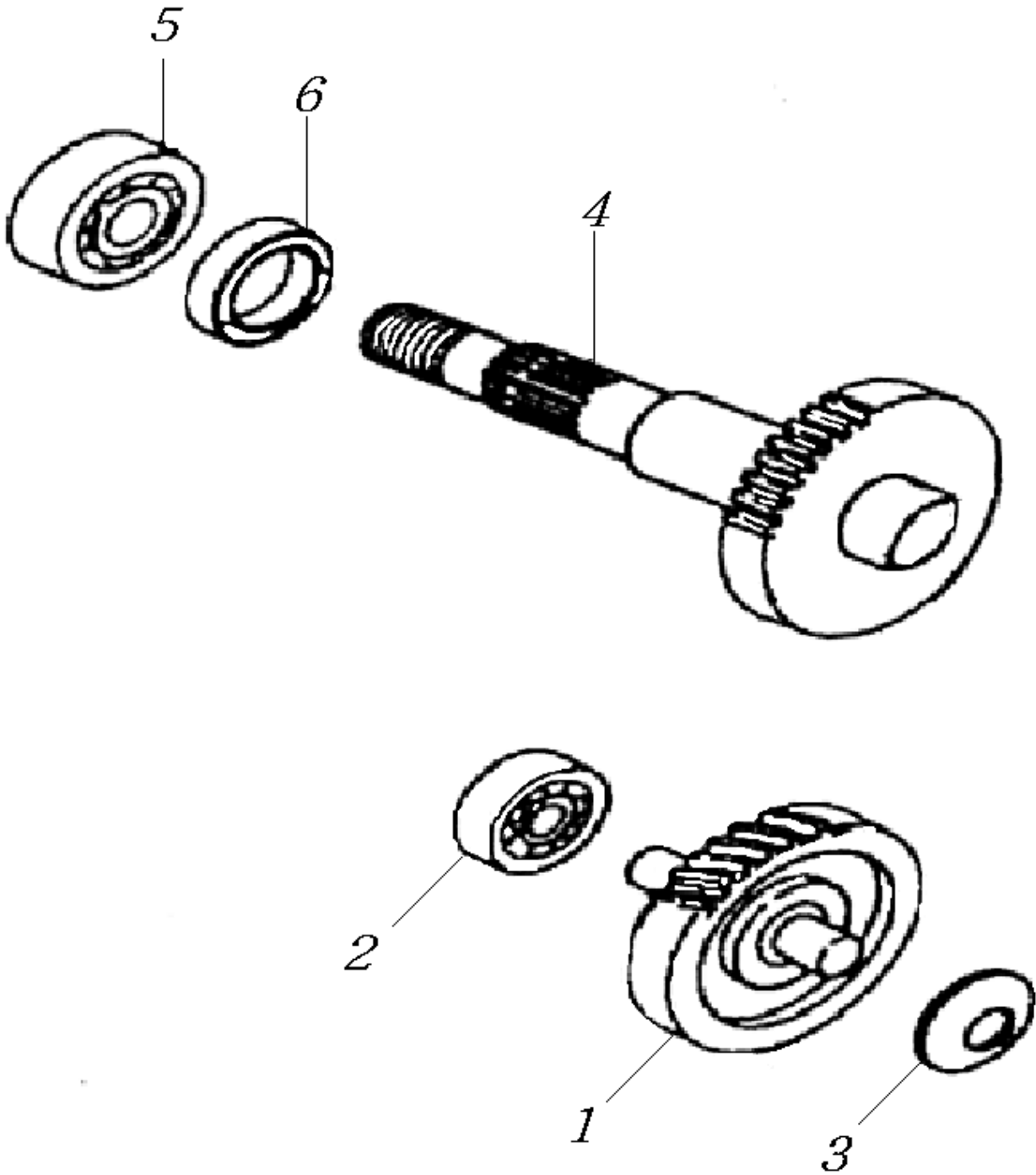
E11***STARTER MOTOR***

| ITEM | PARTS NO. | DESCRIPTION | REQD. NO. | |
|------|-----------------|---------------------|-----------|--|
| | | | 50cc | |
| 1 | 61A-22200-00-00 | STARTER MOTOR | 1 | |
| 2 | S-6700-06020-02 | SOCKET BOLT 6X20 | 2 | |
| 3 | 61A-22203-00-00 | STARTER MOTOR CABLE | 1 | |
| 4 | S-1305-20230-00 | O-RING 23X2 | 1 | |

E12

TRANSMISSION

50 cc



E12***TRANSMISSION***

| ITEM | PARTS NO. | DESCRIPTION | REQD. NO. | |
|------|-----------------|----------------------------|-----------|--|
| | | | 50cc | |
| 1 | 61C-16110-00-00 | COUNTER SHAFT COMP. | 1 | |
| 2 | S-6120-06200-00 | BALL BEARING 6200 | 1 | |
| 3 | S-4101-14201-60 | THRUST WASHER 14.2MM | 1 | |
| 4 | 61C-16170-00-00 | FINAL SHAFT COMP. | 1 | |
| 5 | S-6120-06004-40 | BALL BEARING 6004LLUA/L106 | 1 | |
| 6 | S-1201-25044-70 | OIL SEAC 25X44X7 | 1 | |

