

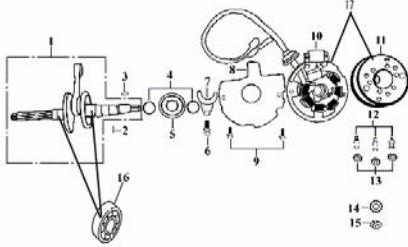
**ENGINE  
PARTS LIST  
CPI**

**04A-00801-08-00**

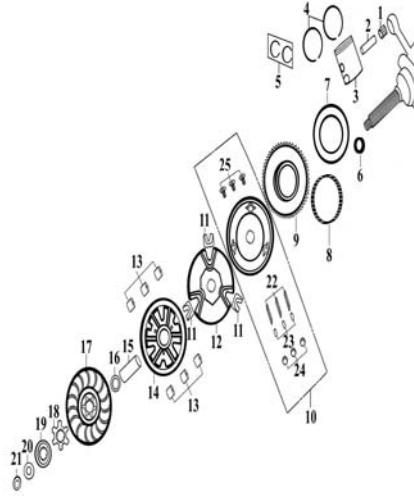
CONTENTS-ENGINE GROUP

**GTR-50**

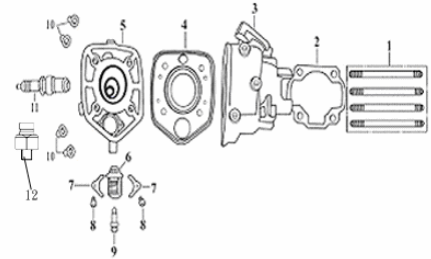
**E1 GENERATOR & CRANKSHAFT**



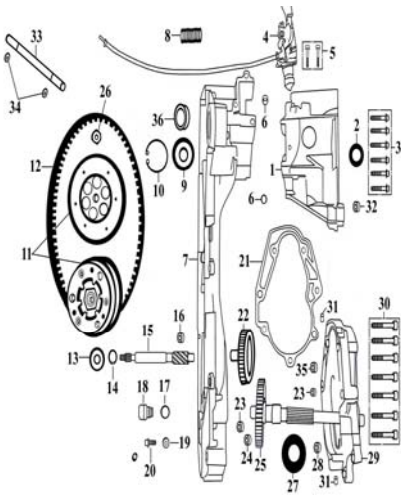
**E2 PISTON & DRIVE FACE  
STARTER CLUTCH OUTER ASSY**



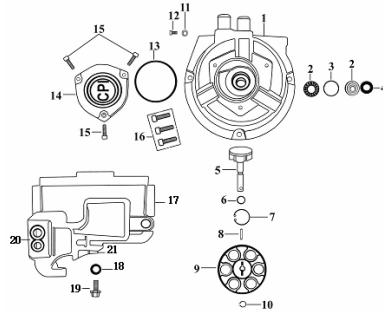
**E3 CYLINDER**



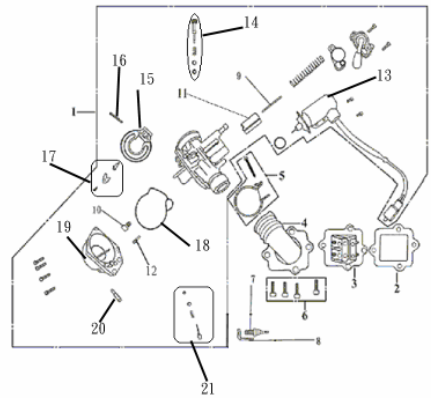
**E4 CRANKCASE & OIL PUMP &  
CLUTCH & TRANSMISSION**



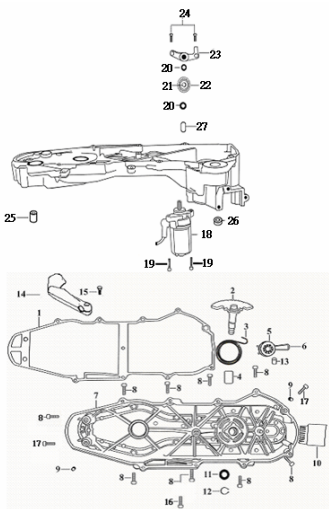
**E5 R. CRANK CASE COVER**



**E6 CARBURETOR**



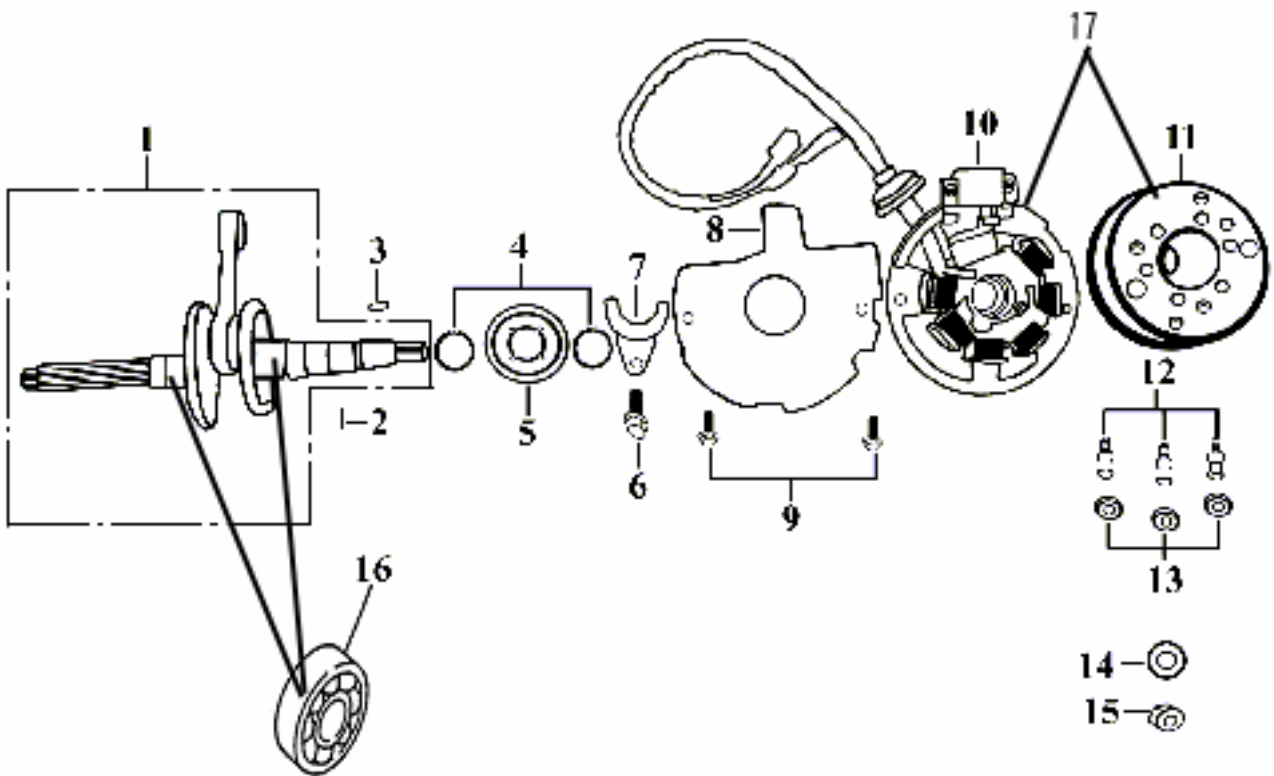
**E7 STARTER & L. COVER COMP**



**E1**

**CRANK SHAFT/GENERATOR**

**GTR**



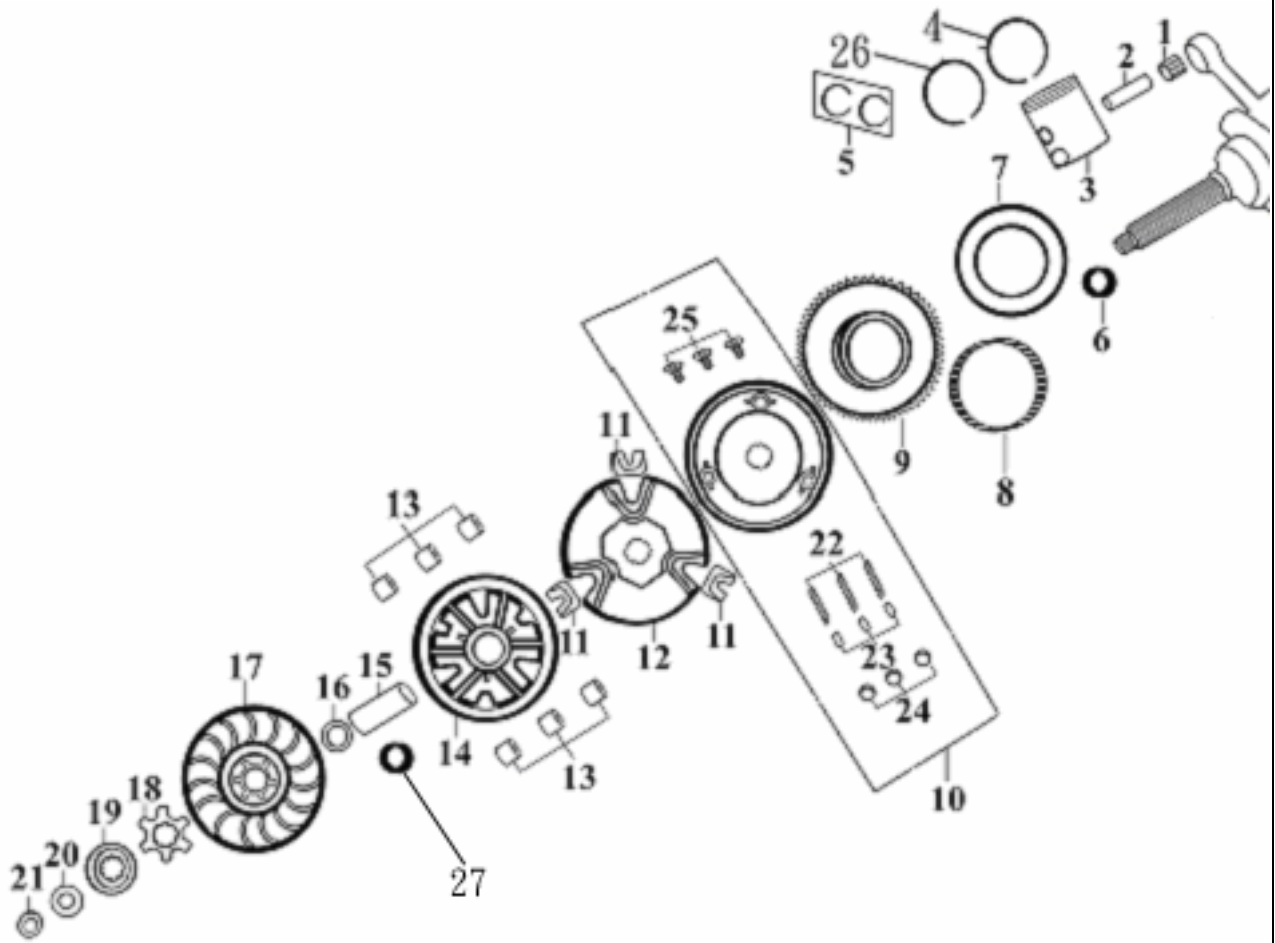
**E1****CRANK SHAFT/GENERATOR**

NO.	PART NO.	DESCRIPTION	GTR	
1	64A-04100-00-00	CRANK SHAFT COMP.	1	
2	S-4302-03117-00	DOWEL PIN 3X11.7	1	
3	64A-04151-00-00	WOORDRUFF KEY 3X13	1	
4	S-4511-12190-00	CIR-CLIP 9MM	2	
5	61A-05211-00-00	OIL PUMP DRIVEN GEAR	1	
6	S-3500-06012-03	FLANGE BOLT M6X12	1	
7	61A-01161-00-00	OIL SEAL HOLDER	1	
8	64A-08256-10-00	A.C.G. GASKET	1	
9	S-3500-06016-03	PAN HEAD SCREW 6X16	2	
10	64A-21120-00-00	BASE ASSY.	1	
11	64A-21110-00-00	A.C.G. FLYWHEEL COMP.	1	
12	64A-01456-00-00	BOLT	3	
13	64A-01457-00-00	RUBBER RING	3	
14	S-4101-12226-61	PLATE WASHER 12X22X3	1	
15	S-4001-12000-01	FLANGE NUT 12MM	1	
16	S-6129-06204-00	BEARING6204	2	
17	64A-21100-00-00	A.C.G ASSY.	1	

E2

CLUTCH/PISTON

GTR

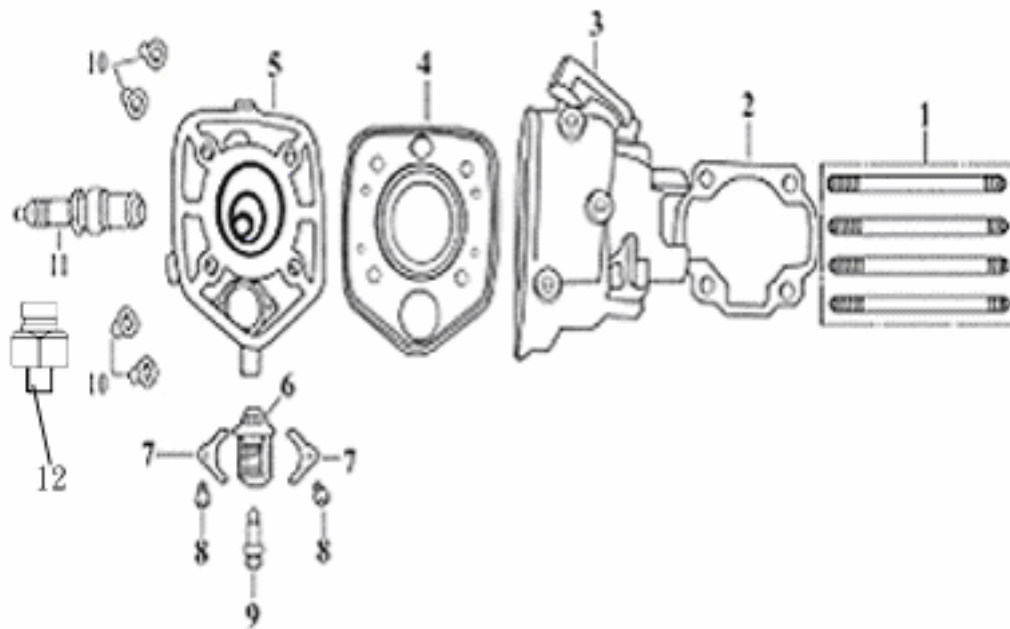


NO.	PART NO.	DESCRIPTION		
			GTR	
1	64A-04116-00-00	CON-ROD SMALL END BRG.	1	
2	64A-02631-00-00	PISTON PIN	1	
3	64A-02611-10-00	PINSTON COMP.	1	
4	51A-02621-00-00	PISTON TOP RING,1	1	
5	S-4602-10120-00	PISTON PIN CLIP 12MM	2	
6	64A-04153-00-00	COLLAR	1	
7	61A-22434-00-00	PLATE WASHER 55MM ( 55X75X0.5 )	1	
8	61A-22423-00-00	BALL BEARING 55X59X13	1	
9	61B-22511-00-00	STARTER CLUTCH GEAR COMP.	1	
10	61B-22410-20-00	STARTER CLUTCH OUTER ASSY.	1	
11	64A-12124-00-00	SLIDE PIECE	3	
12	64A-12123-00-00	RAMP PLATE	1	45&60KM &OPEN
	61B-12123-00-00	RAMP PLATE	1	30KM
13	64A-12121-00-00	WEIGHT ROLLER COMP(5.8g)	6	45&60KM
	F05-12121-00-00	WEIGHT ROLLER COMP(6.3g)	6	30KM
	F06-12121-00-00	WEIGHT ROLLER COMP(4.0g)	6	OPEN
14	64A-12110-00-00	MOVABLE DRIVE FACE ASSY.	1	45&60KM &OPEN
	61B-12110-00-00	MOVABLE DRIVE FACE ASSY	1	30KM
15	64A-12133-00-00	DRIVE FACE BOSS	1	
16	S-4101-16213-21	PLATE WASHER 16MM	1	
17	61B-12131-10-00	DRIVE FACE	1	
18	61B-12136-00-00	CLAW WASHER	1	
19	61B-17261-00-00	KICK RATACHET	1	
20	S-4102-10246-00	CONICAL SPRING WASHER 10MM	1	
21	S-4001-10000-04	HEX. NUT 10MM	1	
22	61B-22414-00-00	STARTER CLUTCH ROLLER SPRING	3	
23	61B-22415-00-00	STARTER CLUTCH ROLLER SPRING COVER	3	
24	61B-22413-00-00	ROLLER 6X7	3	
25	S-3600-05007-03	FLAT HEAD SCREW 5X7	3	
26	51A-02622-00-00	PISTON TOP RING,2	1	
27	64A-12139-00-00	SPACER(5.1mm)	1	45KM
	F07-12139-00-00	SPACER(6.0mm)	1	30KM

**E3**

**CYLINDER**

**GTR**



**E3****CYLINDER**

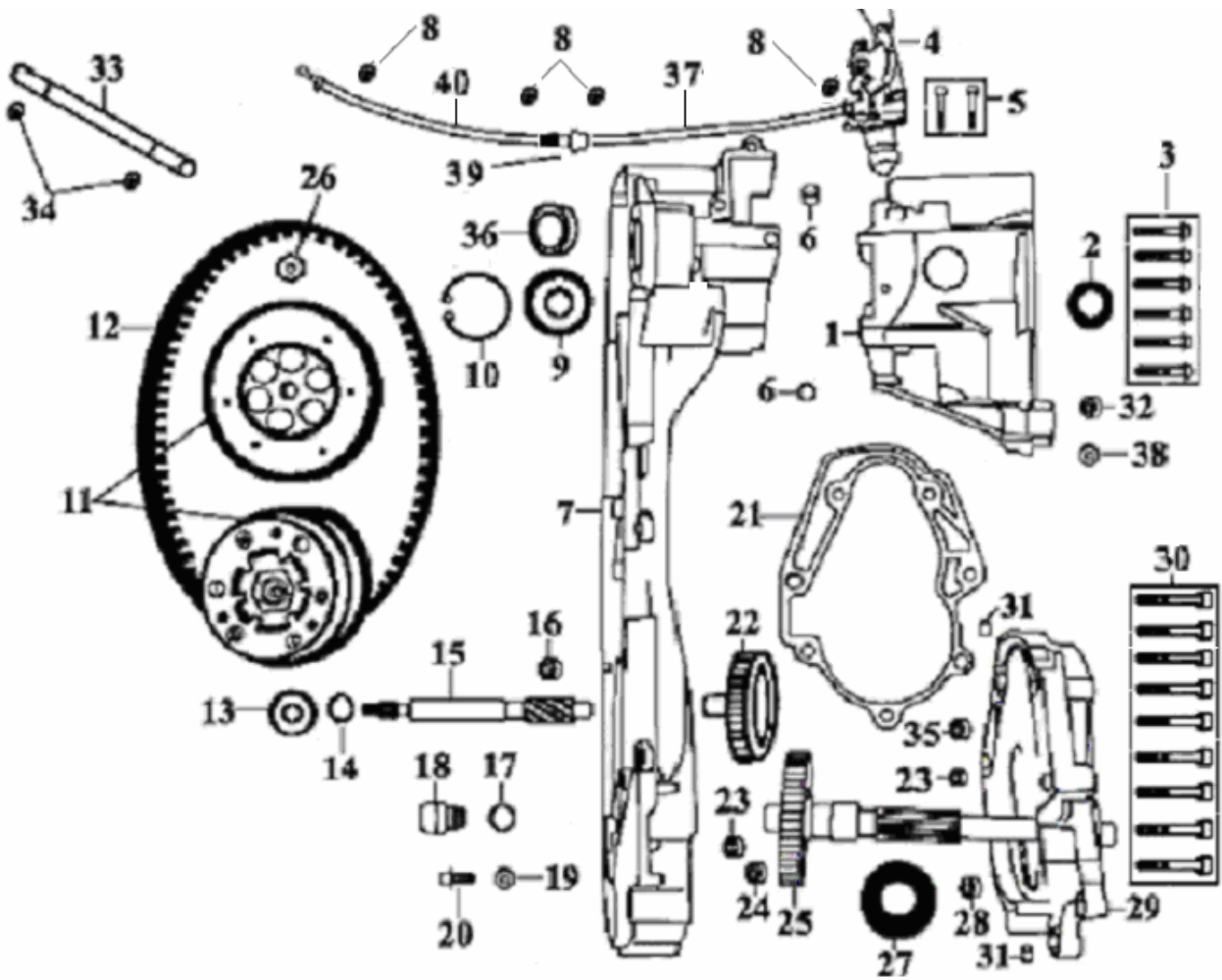
NO.	PART NO.	DESCRIPTION	GTR	
1	64A-02422-10-00	STUD BOLT	4	
2	64A-08216-10-00	CYLINDER GASKET	1	
3	F03-02400-00-00	CYLINDER	1	45&60KM &OPEN
	64A-02400-00-00	CYLINDER	1	30KM
4	64A-08111-10-00	CYLINDER HEAD GASKET	1	
5	F04-02511-00-00	CYLINDER HEAD	1	45&60KM &OPEN
	64A-02511-00-00	CYLINDER HEAD	1	30KM
6	64A-02525-00-00	THARMOSTAT	1	
7	64A-02526-00-00	SETTING PLATE	2	
8	S-6700-04005-03	SCREW M4X5	2	
9	64A-02527-10-00	VENTING SCREW	1	
10	S-4050-07000-04	FLANGE NUT 7MM	4	
11	64A-23111-00-00	SPARK PLUG BR8ES	1	30&45& 60KM
	51A-23111-00-00	SPARK PLUG BR10ES	1	OPEN
12	64A-06530-10-00	TEMPERATURE SWITCH	1	



E4

CRANK CASE

GTR



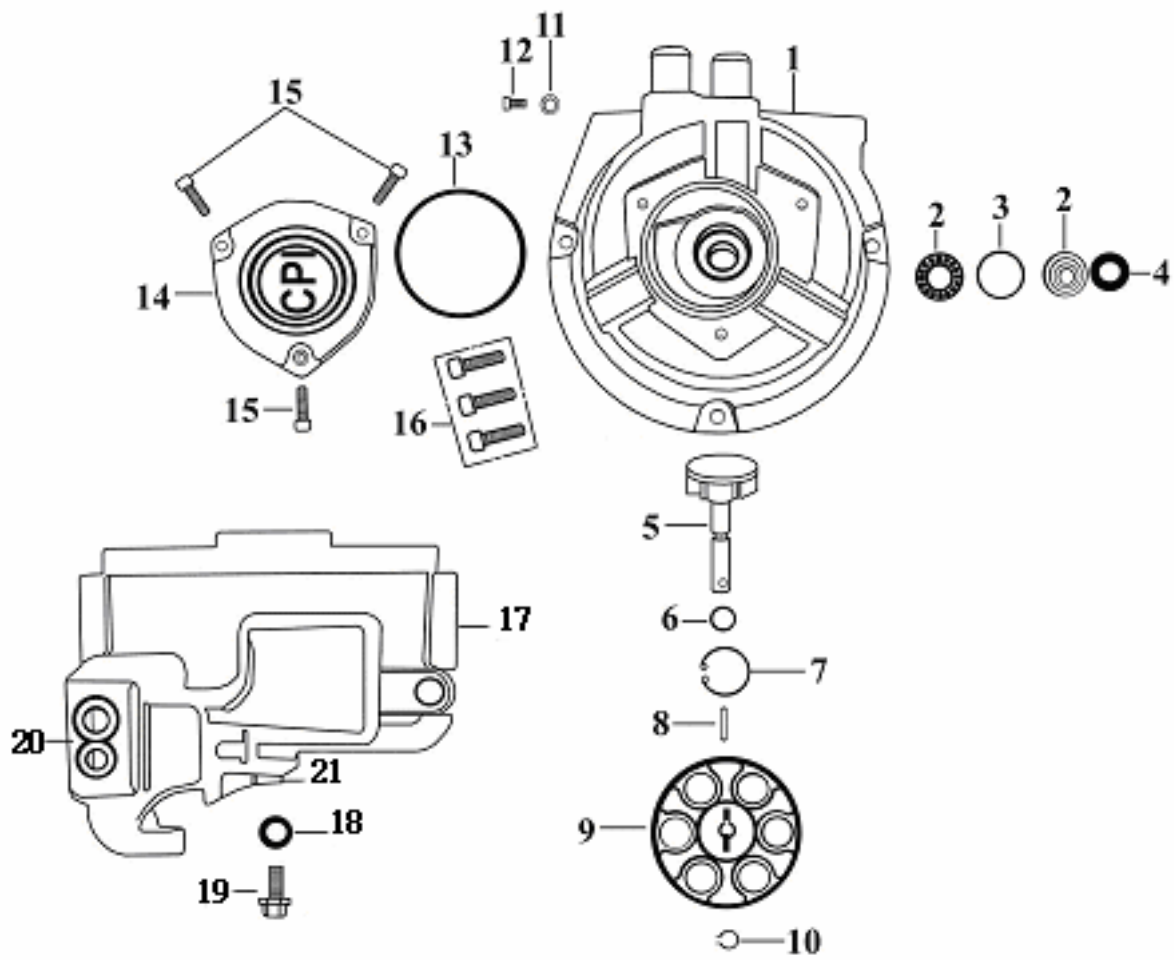
**E4****CRANK CASE**

NO.	PART NO.	DESCRIPTION	GTR	
1	64A-01101-00-00	L. CRANK CASE COVER	1	
2	64A-01113-00-00	OIL SEAL 6206	1	
3	S-6001-06035-03	FLANGE BOLT 6X35	6	
4	64A-05100-10-00	OIL PUMP ASSY.	1	
5	S-3500-05014-03	PAN HEAD SCREW 5X14	2	
6	S-4301-12160-00	DOWEL PIN 12X16	2	
7	64A-01201-00-00	L. CRANK CASE 17"	1	
8	A-4202-08090-00	CIRCLIP 8x9	2	
9	S-1238-20042-80	OIL SEAL 20 42/43 8/9	1	
10	S-4521-18420-00	CIR-CLIP 42m/m	1	
11	F02-12400-00-00	DRIVEN PULLEY ASSY.	1	
12	64A-12211-00-00	DRIVE BELT	1	
13	S-1201-17035-70	OIL SEAL 17X35X7	1	
14	S-4511-10170-00	CIR-CLIP 17MM	1	
15	64A-15111-00-00	DRIVE SHAFT	1	
16	S-6123-06203-00	BALL BEARING 6203C3	1	
17	S-1305-24138-00	O-RING 13.8X2.4	1	
18	61A-01251-00-00	OIL PLUG	1	
19	S-4101-08143-50	PLATE WASHER 8MM	1	
20	S-5800-08012-03	SPECIAL BOLT 8X12	1	
21	64A-08203-10-00	MISSION CASE GASKET	1	
22	64A-16110-00-00	COUNTER SHAFT COMP.	1	
23	S-6120-06201-00	BALL BEARING 6201	2	
24	S-6120-06202-00	BALL BEARING 6202	1	
25	64A-16170-00-00	FINAL SHAFT COMP.	1	
26	S-4050-10000-04	FLANGE NUT 10MM	1	
27	S-1261-00003-00	OIL SEAL	1	
28	S-6120-06204-40	BALL BEARING 6204JR2CS31	1	
29	64A-01501-00-00	MISSION CASE COMP	1	
30	S-6701-08050-03	FLANGE BOLT 8X50	9	
31	S-4301-10160-00	DOWEL PIN 10X16	2	
32	S-6120-06003-40	BALL BEARING 6003LU	1	
33	64A-01141-00-00	ENGINE MOUNT SPACER	1	
34	S-4511-10170-00	CIR-CLIP 17MM	2	
35	S-6120-06002-10	BALL BEARING 6002-KS	1	
36	61A-22521-00-00	GEAR BOSS	1	
37	64A-05511-00-00	OIL PUMP TUBE,1	1	
38	64A-01263-00-00	BREATHER HOSE	1	
39	51A-05236-00-00	OIL CLEANER	1	
40	64A-05514-00-00	OIL PUMP TUBE,2	1	

E5

WATER PUMP

GTR



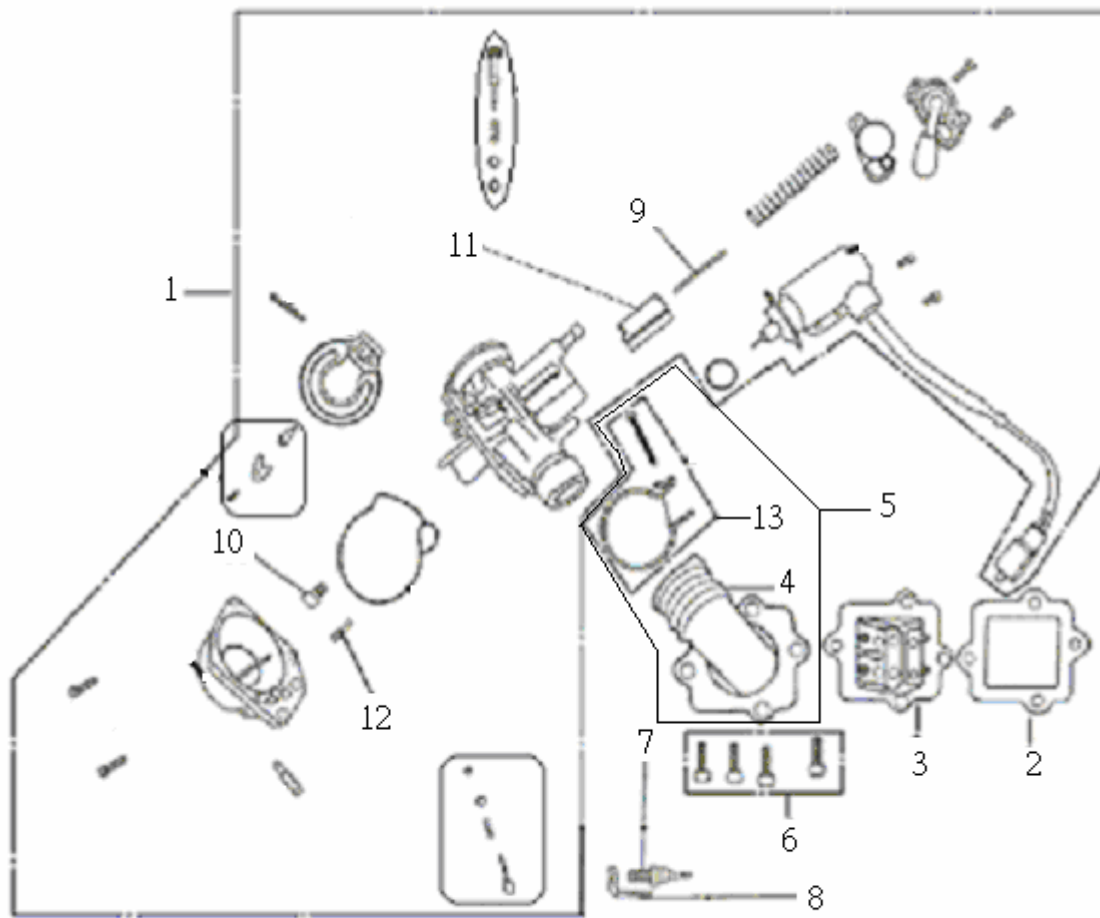
**E5****WATER PUMP**

NO.	PART NO.	DESCRIPTION	GTR	
1	64A-01431-00-69	R. CRANK CASE COVER	1	
2	S-6120-00608-10	BALL BEARING 608Z	2	
3	64A-01445-00-00	COLLAR,1	1	
4	S-1201-01018-50	OIL SEAL 10x18x5	1	
5	64A-01610-00-00	WATER PUMP ASSY.	1	
6	64A-01446-00-00	COLLAR,2	1	
7	S-4521-01022-00	CLIP 22x1	1	
8	64A-01447-00-00	PIN	1	
9	64A-01455-00-00	WATERPUMP DRIVER	1	
10	S-4511-08080-00	CLIP	1	
11	S-4101-05084-50	WASHER	1	
12	S-6700-04008-04	SOLKET BOLT 4X8	1	
13	S-1301-18575-00	O-RING 57.5X1.8	1	
14	64A-01451-00-69	WAER PUMP COVER	1	
15	S-6700-06012-04	SOLKET BOLT 6x12	3	
16	S-6700-06025-04	SOLKET BOLT 6x25	3	
17	64A-07164-00-00	COVER CRANKCASE RIGHT	1	
18	64A-07165-00-00	BUSH	1	
19	S-6000-05012-03	BOLT 5*12	1	
20	64A-07128-00-00	GROMMET,2	1	
21	64A-07118-00-00	GROMMET,1	1	

**E6**

**CARBURTOR**

**GTR**



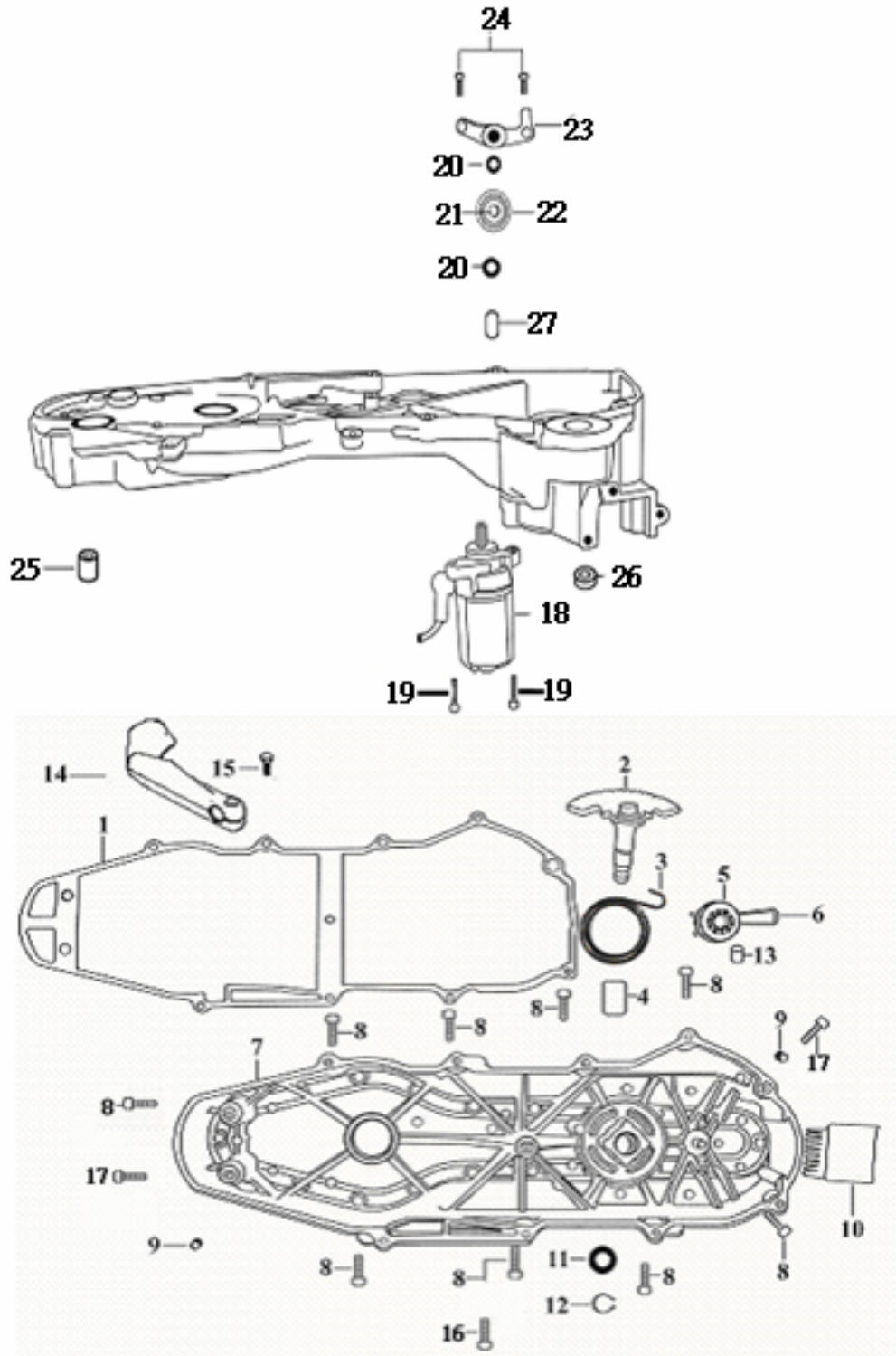
**E6****CARBURTOR**

NO.	PART NO.	DESCRIPTION	GTR	
1	F20-09400-00-00	Dell'orto CARBURETOR ASSY	1	45KM
	F21-09400-00-00	Dell'orto CARBURETOR ASSY.	1	30KM
	F22-09400-00-00	Dell'orto CARBURETOR ASSY	1	60KM
	F23-09400-00-00	Dell'orto CARBURETOR ASSY	1	OPEN
2	64A-08251-10-00	VALVE SEAT GASKET	1	
3	64A-09240-00-00	REED VALVE ASSY.	1	
4	F01-09211-00-00	INTAKE MANIFOLD	1	30&45&60KM
	F02-09211-00-00	INTAKE MANIFOLD	1	OPEN
5	F01-09200-00-00	INTAKE MANIFOLD ASSY.	1	
6	S-6700-06020-02	SOCKET BOLT 6X20	4	
7	64A-23181-00-00	CARBURETOR HEATER	1	
8	64A-23186-00-00	TERMINAL	1	
9	F20-09413-00-00	NEEDLE (A29/2 <sup>nd</sup> from top)	1	30&45&60KM
	F23-09413-00-00	NEEDLE	1	OPEN(Need your confirmation)
10	F20-09410-00-00	MAIN JET #48	1	45KM
	F21-09410-00-00	MAIN JET #44	1	30KM
	F22-09410-00-00	MAIN JET #50	1	60KM
	F23-09410-00-00	MAIN JET (待確認)	1	OPEN
11	F20-09411-00-00	SLIDE VALVE (14230.30.64)	1	30&45&60KM
	F23-09411-00-00	SLIDE VALVE	1	OPEN(Need your confirmation)
12	F20-09372-00-00	IDLE JET	1	30&45&60KM
	F23-09372-00-00	IDLE JET	1	OPEN(Need your confirmation)
13	64A-09231-00-00	INTAKE MANIFOLD CLAMP	1	45&60&OPEN
	F01-09231-00-00	HOSE CLAMP	1	30KM

E7

STARTER

GTR



**E7****STARTER**

NO.	PART NO.	DESCRIPTION	GTR	
1	64A-08241-10-00	L. COVER GASKET	1	
2	61A-17131-00-00	KICK START. SPINDLE COMP.	1	
3	64A-17141-00-00	KICK SPARTER SPRING	1	
4	61A-17172-00-00	KICK SPINDLE BUSH	1	
5	61A-17211-00-00	START. IDLE GEAR COMP.	1	
6	61A-17224-00-00	START. GEAR FRICTION SPRING	1	
7	64A-01301-00-69	L. COVER SILVER	1	
8	S-6700-06025-04	SOCKET BOLT 6X25	9	
9	S-4301-10140-00	DOWEL PIN 10X14	2	
10	64A-01319-00-00	AIR CONDUCTER	1	
11	S-4101-15283-24	PLATE WASHER 15.5X28X1	1	
12	S-4511-10150-00	CIR-CLIP 15MM	1	
13	61A-17221-00-00	START. IDLE GEAR SHAFT	1	
14	64A-17111-10-69	KICK STARTER ARM	1	
15	S-6700-06020-04	SOCKET BOLT 6X20	1	
16	S-6701-06055-04	SOCKET BOLT 6X55	1	
17	S-6701-06035-04	SOCKET BOLT 6X35	2	
18	61B-22200-00-00	STARTING MOTOR ASSY.	1	
19	S-6700-06020-02	SOCKET BOLT 6X20	2	
20	S-4101-08165-24	PLATE WASHER 8MM	2	
21	S-6130-00810-70	NEEDLE BEARING HK0810	1	
22	61B-22311-00-00	STARTER IDLE GEAR	1	
23	64A-22341-00-00	STARTER IDLE GEAR PLATE	1	
24	S-3500-06012-03	PAN HEAD SCREW 6X12	2	
25	61G-01223-00-00	ENG. HANGER RUB. BUSH	1	
26	S-6120-06003-40	BALL BEARING 6003LU	1	
27	61A-22321-00-00	STARTOR GEAR SHAFT	1	