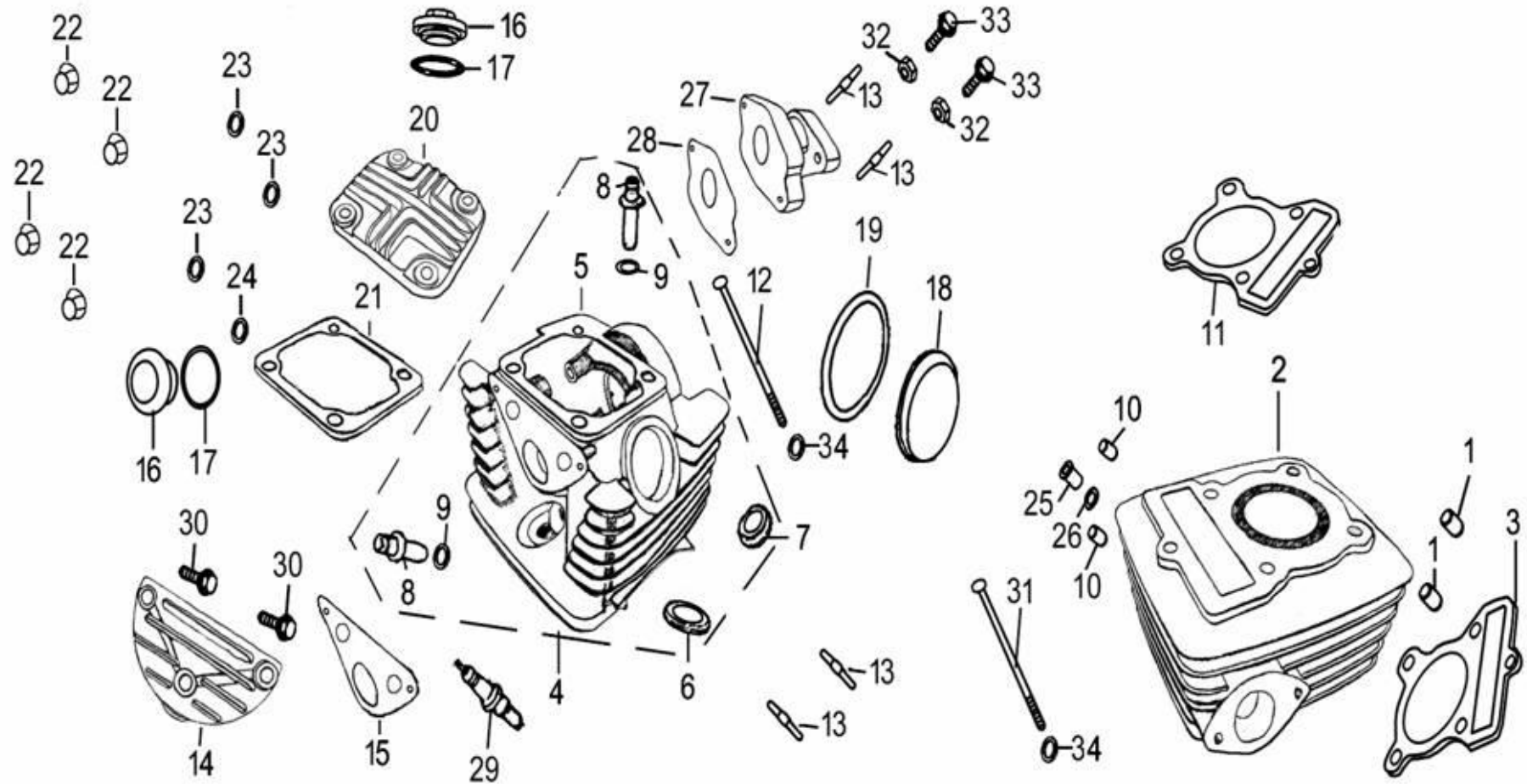


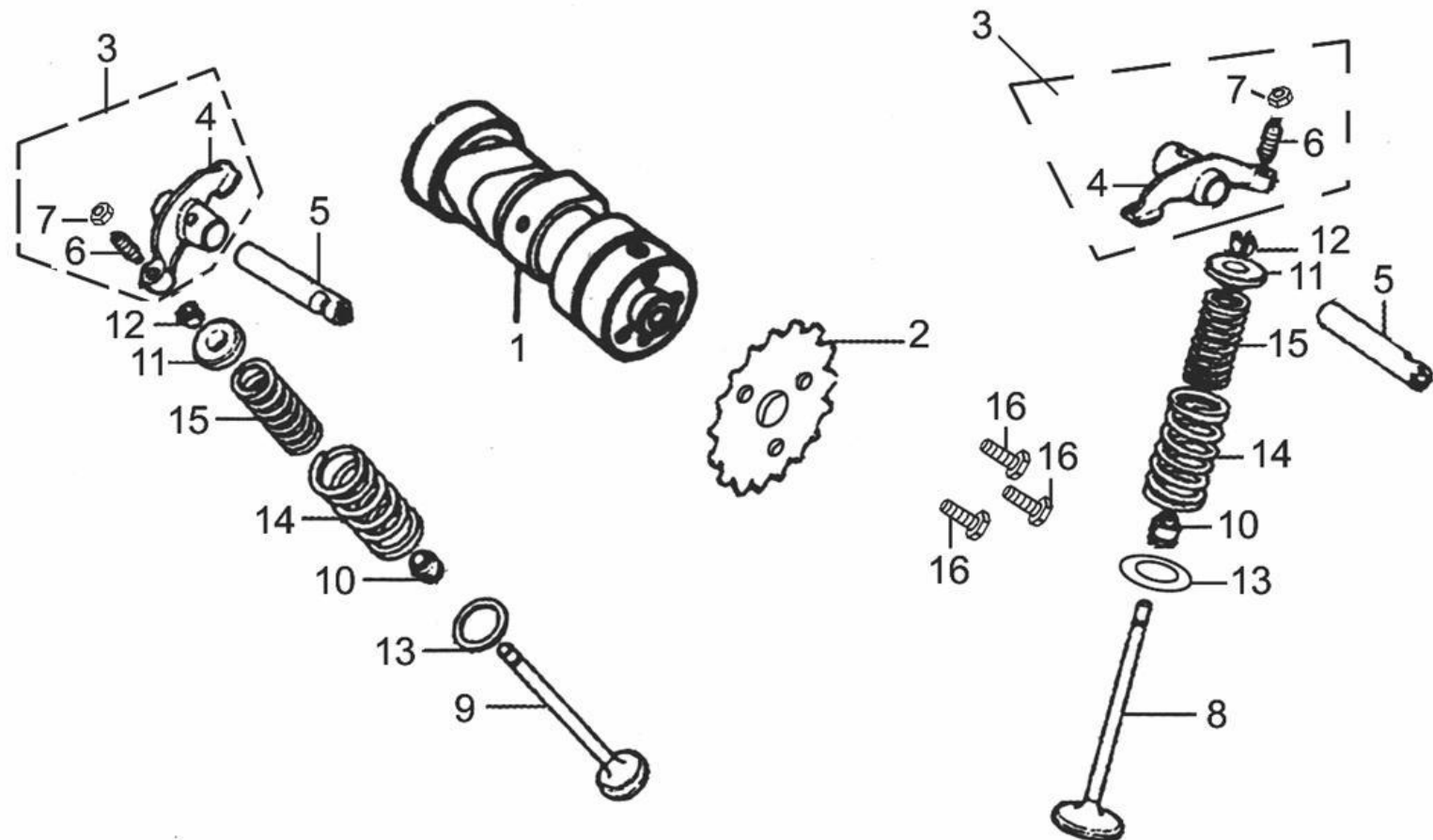
ENGINE ASSY.

No.	Part No.	Type	Description
1	23003010013	APL139FMB-2 . 50CC	ENGINE ASSY.



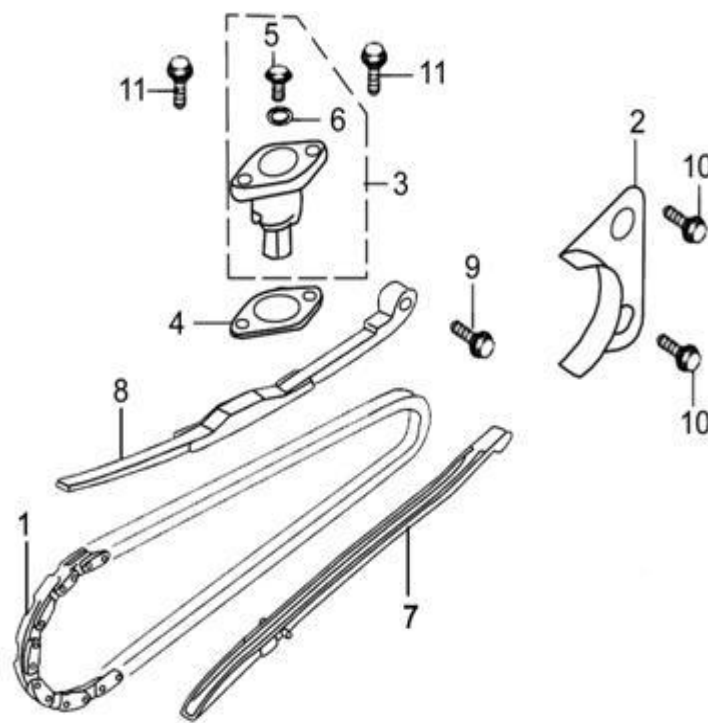
CYLINDER HEAD & BLOCK ASSY

No.	Part No.	Type	Description
1	11318/1P50FMG	Positionsstift $\varnothing 8 \times 12$	Pin $\varnothing 8 \times 12$
2	12110	Cylinderblok	Cylinder block
3	12121/150FMG	Cylinderblokken pakning	Gasket, cylinder block
4	12210	Komplet topstykke	Head comp, cylinder
5	12210	Topstykke	Cylinder head
6	12212/1P50FMG	Ventilsæde Indsugning	Seat, intake valve
7	12213/1P50FMG	Ventilsæde Udstødning	Seat, exhaust valve
8	12214/1P50FMG	Guide til indsug/udstød. ventil	Guide, intake(exhaust) valve
9	12216/1P50FMG	O-ring til Guide	O-ring, guide
10	12218/1P50FMG	Bolte $\varnothing 8 \times 14$	Pin $\varnothing 8 \times 14$
11	12220	Toppakning	Gasket comp, cylinder head
12	GB/T5789	Bolt M6 \times 110	Bolt, M6 \times 110
13	12239/150FMG	Stud M6 \times 35	Stud M6 \times 35
14	12241	Højre ventildæksel	Cover, cylinder head, RH
15	12244	Højre ventildæksel pakning	Gasket, cylinder head cover, RH
16	12243/1P50FMG	Valve Cover	Cover, valve
17	12246/1P50FMG	Valve Cover O-ring	O-ring, valve cover
18	12242/1P47FMD	venstre ventildækslet	Cover, cylinder head, LH
19	12245/1P50FMG	venstre ventildækslet pakning	Gasket, cylinder head cover, LH
20	12311	ventildækslet	Cover, cylinder head
21	12312	Toppakning dæksel	Gasket, cylinder head cover
22	12313/1P50FMG	Cap møtrik M6	Nut, M6
23	12344/1P50FMG	Cylinder bolt stålskiver	Washer, cylinder bolt steel
24	12345/1P50FMG	Kobber skiver Cylinder bolte	Washer, cylinder bolt copper
25	15441/1P50FMG	Olie cylinderforing	Bush, cylinder block oil
26	15442/1P50FMG	rektangel ring	Ring, rectangular
27	17310	i luftrøret	Pipe, inlet
28	17332	Indsugnings-manifolds pakning	Gasket, inlet pipe
29	34210/1P50FMG	tændrør	Plug, spark
30	GB5789-86	Bolt M6 \times 20	Bolt, M6 \times 20
31	12237	Bolt M6 \times 90	Bolt, M6 \times 90
32	GB6175-86	Nut M6	Nut, M6
33	GB5789-86	Bolt M6 \times 35	Bolt, M6 \times 35
34	12248/1P50FMG	Skive 6.5	Washer, 6.5



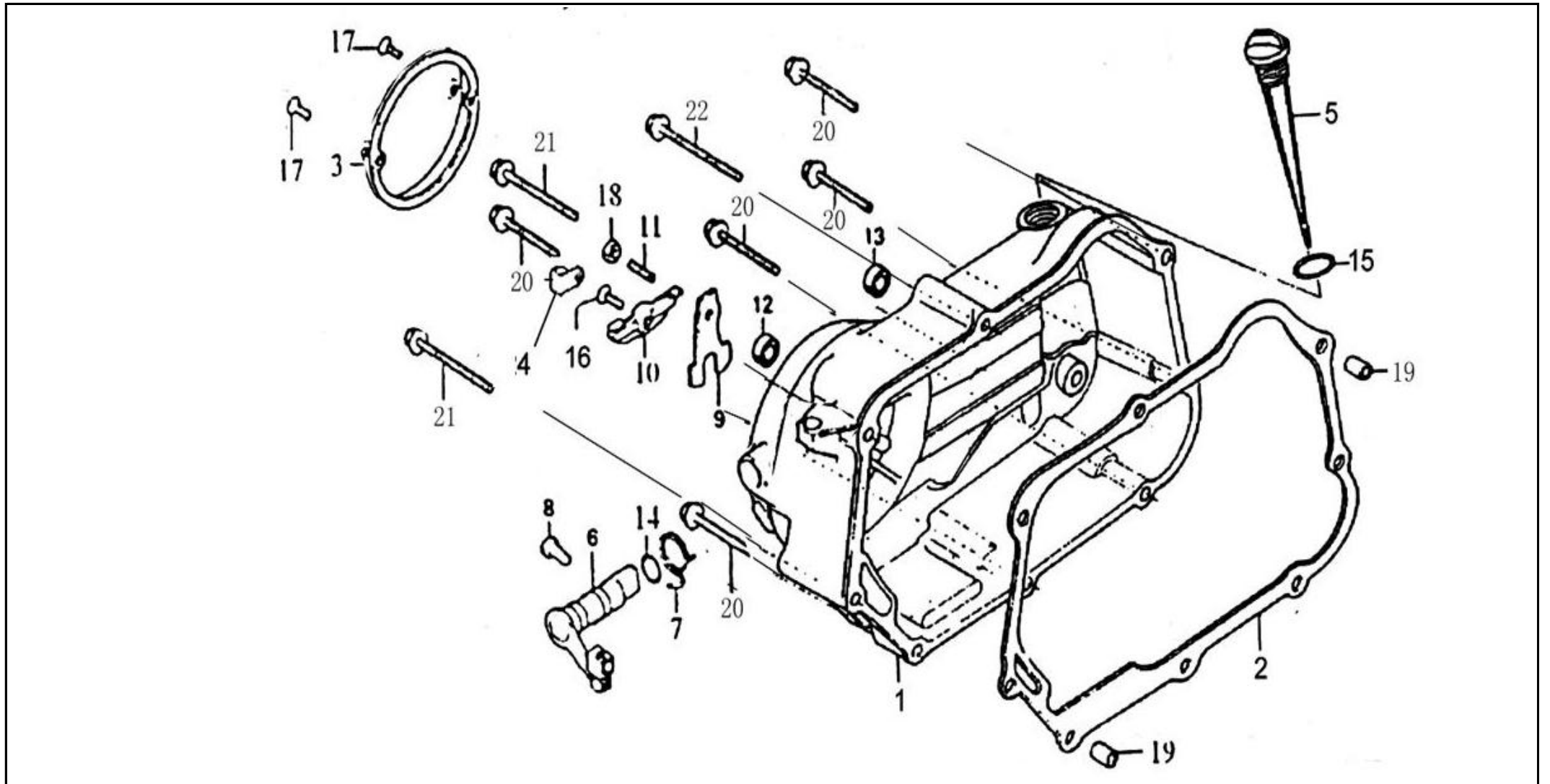
FLOW CHANGE DEVICE

No.	Part No.	Type	Description
1	14110/1P39FMB		Camshaft comp
2	14321/1P50FMG		Sprocket, timing driven
3	14410/1P39FMB		Rocker comp
4	14411/1P39FMB		Rocker, valve
5	14413/1P52FMH-3M		Shaft, rocker
6	14415/1P50FMG		Screw, valve adjusting
7	14416/1P50FMG		Locknut, valve
8	14710/1P50FMG		Valve, intake
9	14720/1P50FMG		Valve, exhaust
10	14730/1P50FMG		Seal, valve stem
11	14751/1P50FMG		Retainer, valve spring
12	14752/1P50FMG		Split cone, valve
13	14753/1P50FMG		Seat, valve spring outer
14	14755/1P50FMG		Spring, valve outer
15	14756/1P50FMG		Spring, valve inner
16	GB5783-86		Bolt, M5×12



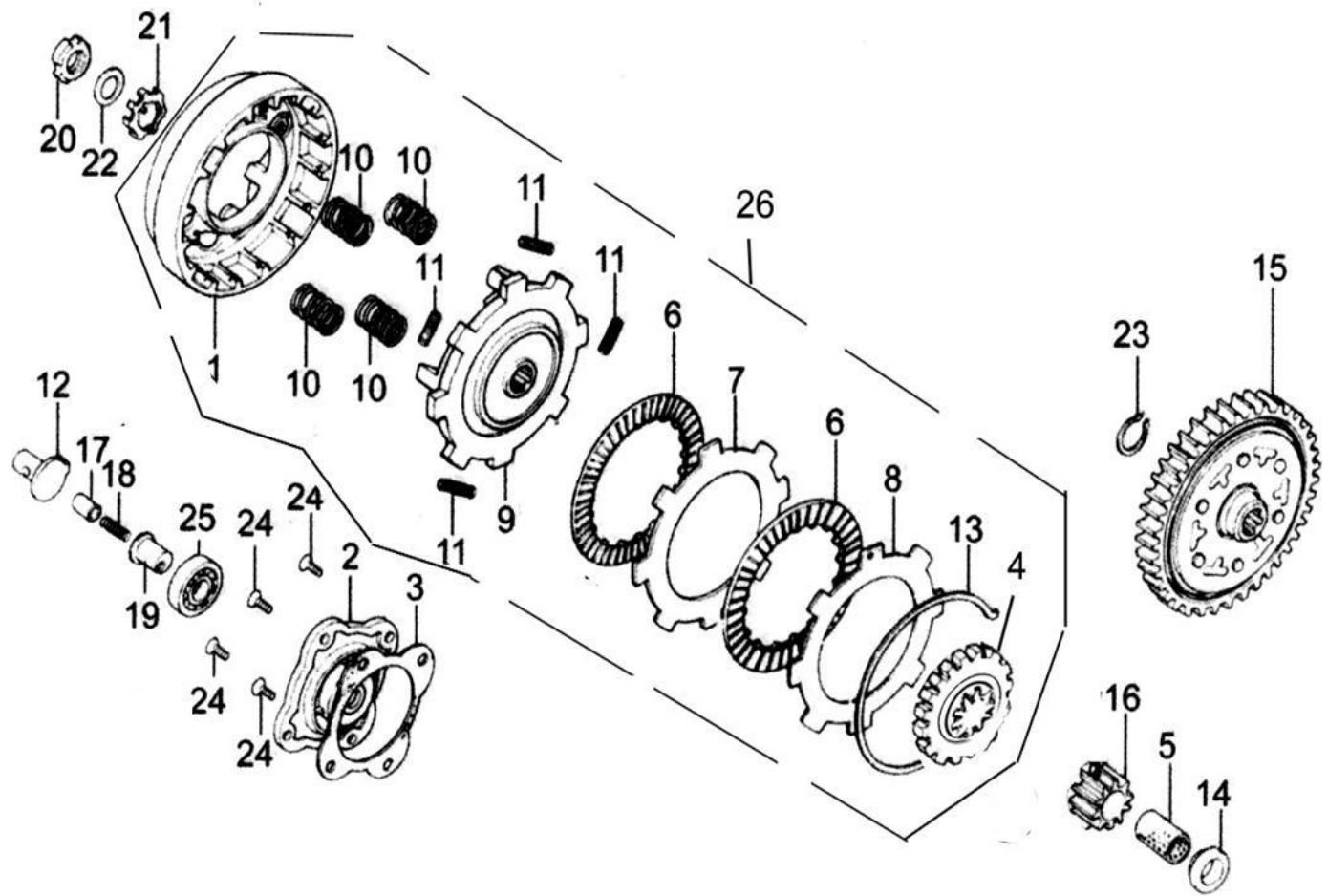
SPOCKET-CHAIN & ADJUSTING DEVICE

No.	Part No.	Type	Description
1	14350/1P47FMD		Chain, timing
2	14361/150FMG		Plate, timing chain limiting
3	14500/150FMG		Tensioner Assy
4	14519/150FMG		Seal, tensioner
5	14527/150FMG		Screw, tensioner adjusting hole
6	14528/150FMG		O-ring, screw
7	14610/150FMG		Guide
8	14650		Plate, tensioning
9	14661/150FMG		Screw, tensioning plate
10	GB/T16674.1		Screw, M6×10
11	GB/T5783		Screw, M6×22



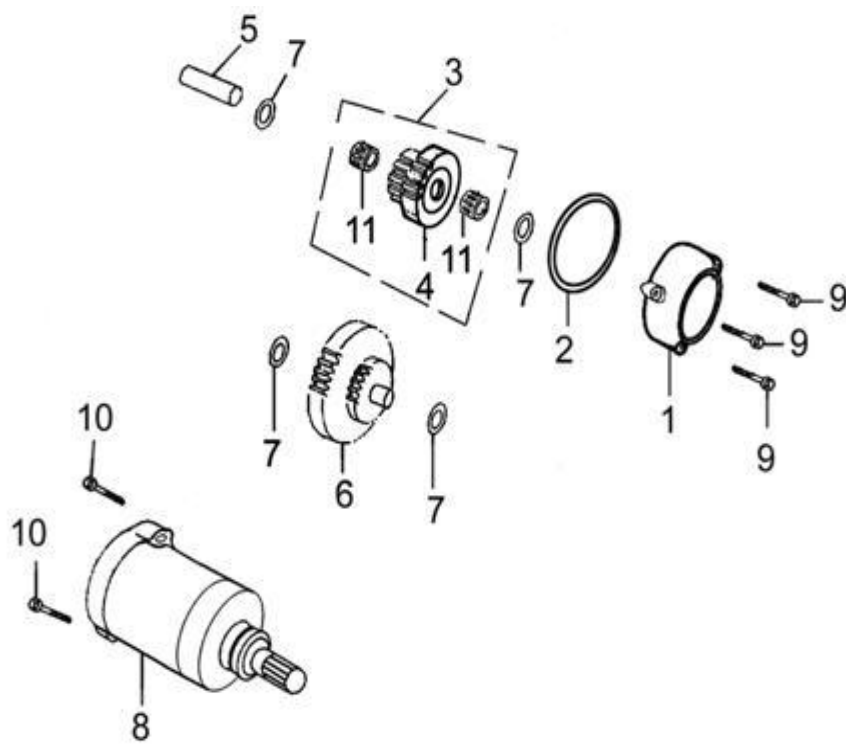
Right Crankcase Cover

No.	Part No.	Type	Description
1	11310/150FMG		Cover, Crankcase, RH
2	11319/150FMG		Gasket, Crankcase Cover, RH
3	11331/150FMG		Clutch Cover
4	34931/150FMG		Wire Clamp
5	15611/150FMG		Dipstick
6	22810/1P50FMG		Operating Shaft, Clutch
7	22821/1P50FMG		Spring
8	22825/1P50FMG		Set Pin
9	22826/1P50FMG		Control Plate
10	22827/1P50FMG		Press Plate
11	22851/1P50FMG		Screw
12	22830/1P50FMG		Oil Seal 12×21×4
13	27190/1P50FMG		Oil Seal 13.7×24×5
14	22823/1P50FMG		O-Ring
15	15612/1P50FMG		O-Ring



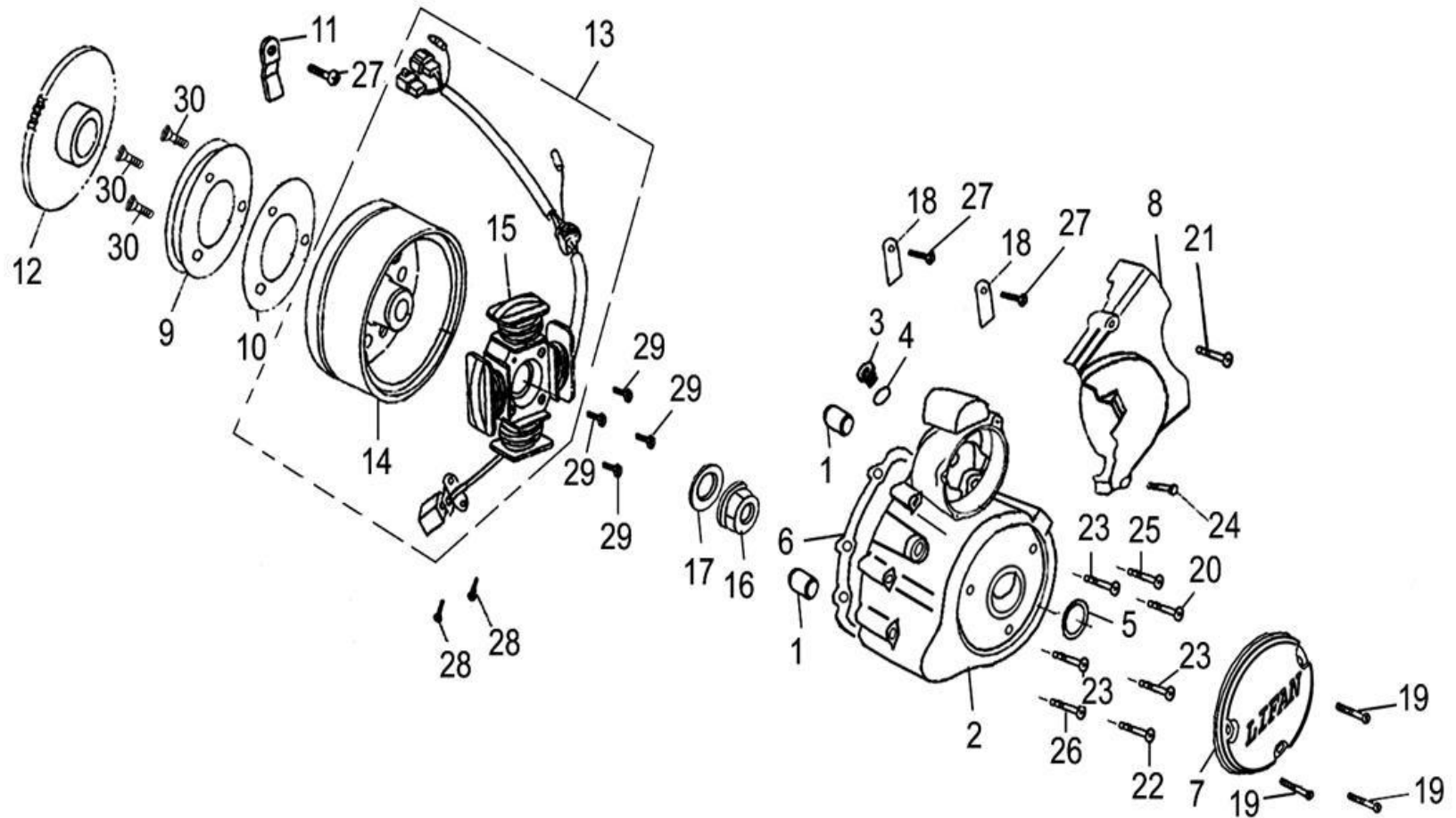
Clutch

No.	Part No.	Type	Description
1	22114/1P50FMG		Hood, Clutch
2	22361/1P50FMG		End Cover, Clutch
3	22362/1P50FMG		Gasket,End cover,Clutch
4	22322/1P50FMG		Sleeve
5	22622/1P50FMG		Bushing
6	22340/1P50FMG		Driven Plate Set
7	22331/1P50FMG		Drive Plate (No.1)
8	22381/1P50FMG		Drive Plate (No.2)
9	22111/1P50FMG		Drive Disk
10	22371/1P50FMG		Spring
11	22375/1P50FMG		Damping Spring
12	22860/1P50FMG		Push Rod Set
13	22376/1P50FMG		Collar
14	22374/1P50FMG		Washer
15	22610/1P50FMG		Primary Driven Gear
16	22621/1P50FMG		Primary Drive Gear Set
17	15431/1P50FMG		Oil Tube
18	15432/1P50FMG		Spring
19	15433/1P50FMG		Sleeve
20	22631/1P50FMG		Lock Nut
21	22632/1P50FMG		Thrust Washer
22	22633/1P50FMG		Washer
23	22634/1P50FMG		Snap Ring
24	GB/T819.1		Screw M5×12
25	GB/T276/1P50FMG		Bearing 6000
26	22100/1P50FMG		Clutch Body



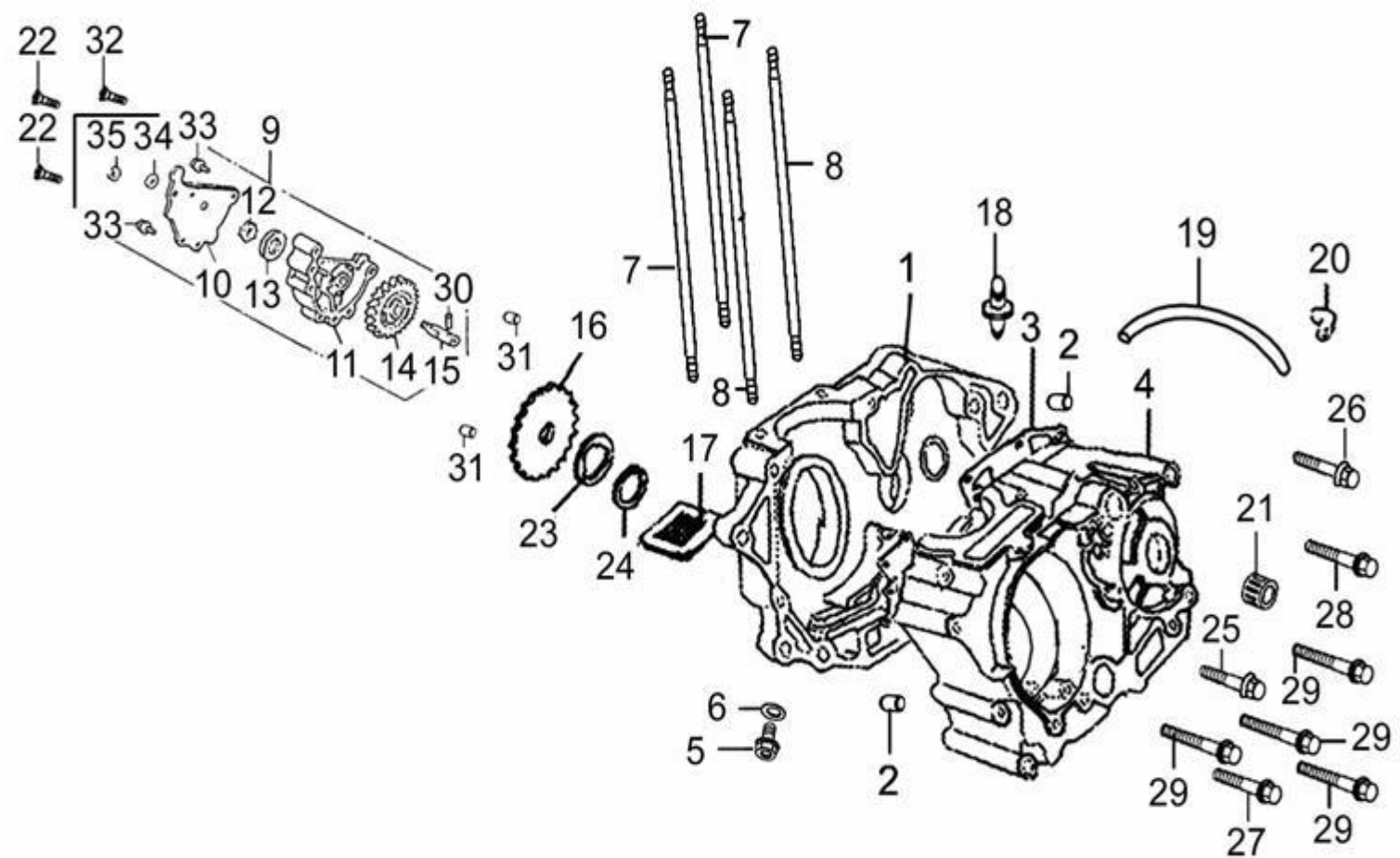
Electric starting set

No.	Part No.	Type	Description
1	11421/150FMG-B		Pass wheel cover
2	11422/156FMI-2		Pass wheel cover O-ring
3	28310/150FMG-B		Double gear first assy
4	28311/150FMG-B		Double gear first
5	28320/150FMG-B		Double gear first shaft assy
6	28331/150FMG-B		Double gear second
7	28332/156FMI-2		Washer
8	34700/150FMG-B		Start motor
9	GB5787-86		Bolt M6×20
10	GB5787-86		Bolt M6×35
11	GB290-89		Bearing HK101410



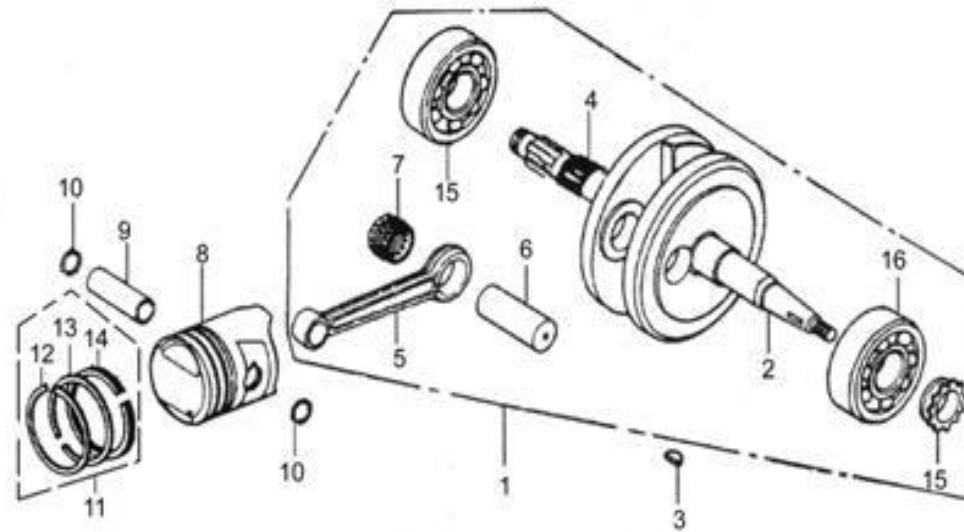
Left crankcase cover & Magnetic motor

No.	Part No.	Type	Description
1	11318/1P50FMG		Pin $\phi 8 \times 12$
2	11411/150FMG-B		L.crankcase cover
3	11412/156FMI-2		Espial bore bolt
4	11414/156FMI-2		Espial bore bolt "O" ring
5	11415/156FMI-2		Bolt "O" ring
6	11419/150FMG-B		L.crankcase cover washer
7	11431/1P50FMG		L.small cover
8	11451/150FMG-B		L.after abuat
9	28100/1P50FMG-B		Start clutch assy
10	28114/1P50FMG		Washer
11	28171/156FMI-2		Start clutch gear baffle
12	28150/150FMG-B		Start clutch gear assy
13	31100/150FMG-B		Magneto assy
14	31110/150FMG-B		Mangeto flywheel
15	31210/150FMG-B		Mangeto retainer set
16	31311/1P50FMG		Nut M10 \times 1.25
17	31312/1P50FMG		Washer
18	31911/1E50FMG		Line nip
19	GB5787-86		Bolt M6 \times 15
20	GB5787-86		Bolt M6 \times 25
21	GB5787-86		Bolt M6 \times 40
22	GB5787-86		Bolt M6 \times 45
23	GB5787-86		Bolt M6 \times 50
24	GB5787-86		Bolt M6 \times 55
25	GB5787-86		Bolt M6 \times 65
26	GB5787-86		Bolt M6 \times 70
27	GB818-86		Screw M6 \times 10
28	GB818-86		Screw M5 \times 15
29	GB818-86		Screw M5 \times 28
30	GB823-86		Screw M6 \times 20



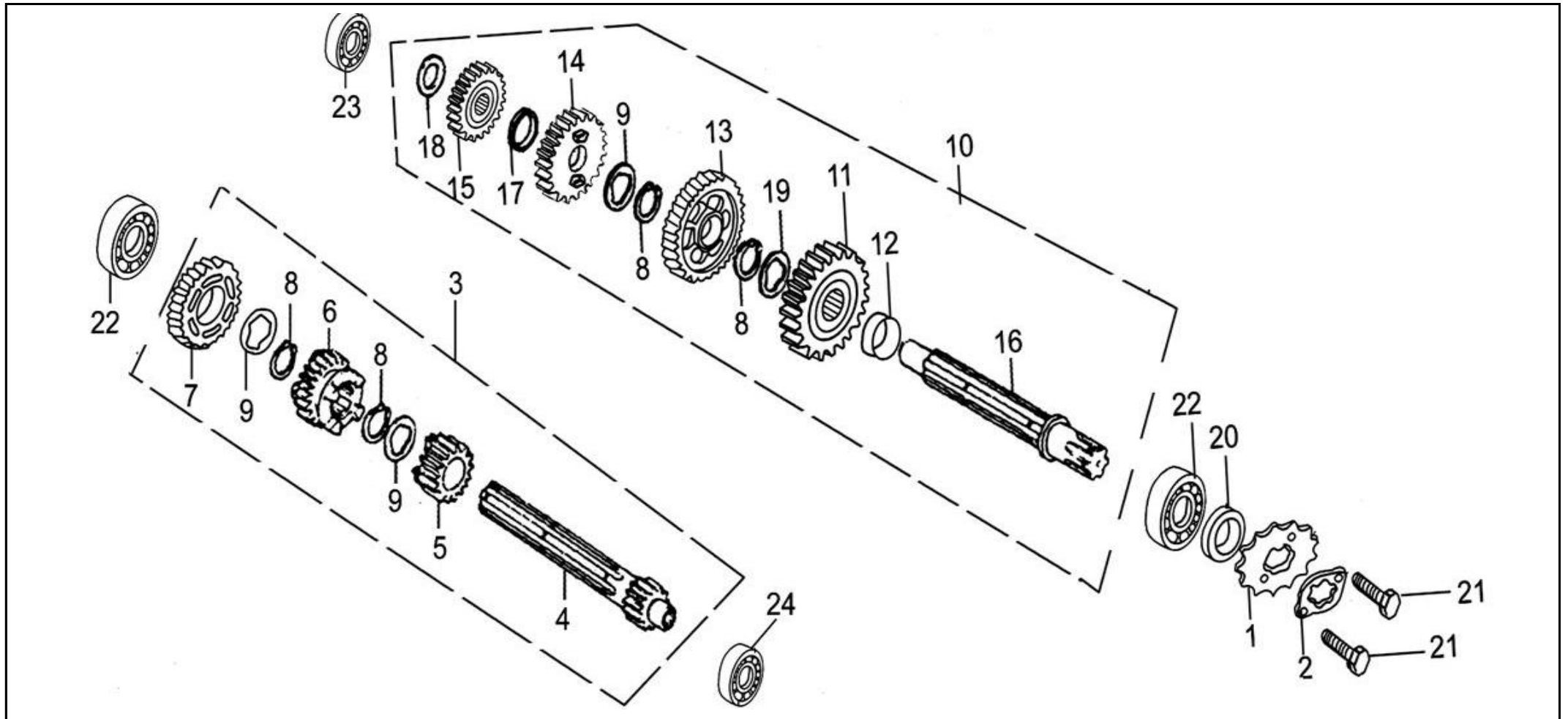
Crankcase & Oil Pump

No.	Part No.	Type	Description
1	11110/150FMG-B		Right crankcase set
2	11118/1P50FMG		Limit pin ($\phi 10 \times 14$)
3	11119/150FMG		Seal gasket
4	11210/150FMG-B		Left crankcase set
5	11212/1P50FMG		Drain plug
6	11213/1P50FMG		Oil washer
7	12342		Stud A
8	12343		Stud B
9	15100/150FMG		Oil pump
10	15112		Cover, Oil pump
11	15111		Body, Oil pump
12	15114/1P50FMG		Inner rotor, Oil pump
13	15115/1P50FMG		Outer rotor, Oil pump
14	15120		Driven gear
15	15116		Shaft Oil pump
16	15120/150FMG		Gear
17	15450/1P50FMG		Filter set
18	20151/150FMG		Exhaust pas mouth
19	20152/150FMG		Exhaust pas
20	20154/150FMG		Clamp
21	GB290-89		Bearing HK101410
22	GB/T819.1		Screw M6×40
23	GB848-85		Washer 6
24	GB896-86		Collar 3.5
25	GB5787-86		Screw M6×40
26	GB5787-86		Bolt M6×45
27	GB5787-86		Bolt M6×50
28	GB5787-86		Bolt M6×60
29	GB5787-86		Bolt M6×65
30	GB/T119		Set pin 3×16
31	11318		Dowel pin
32	GB/T819.1		Screw M6×35
33	GB/T16674		Bolt M5×10
34	GB/T848		Washer 6
35	GB/T896		Collar



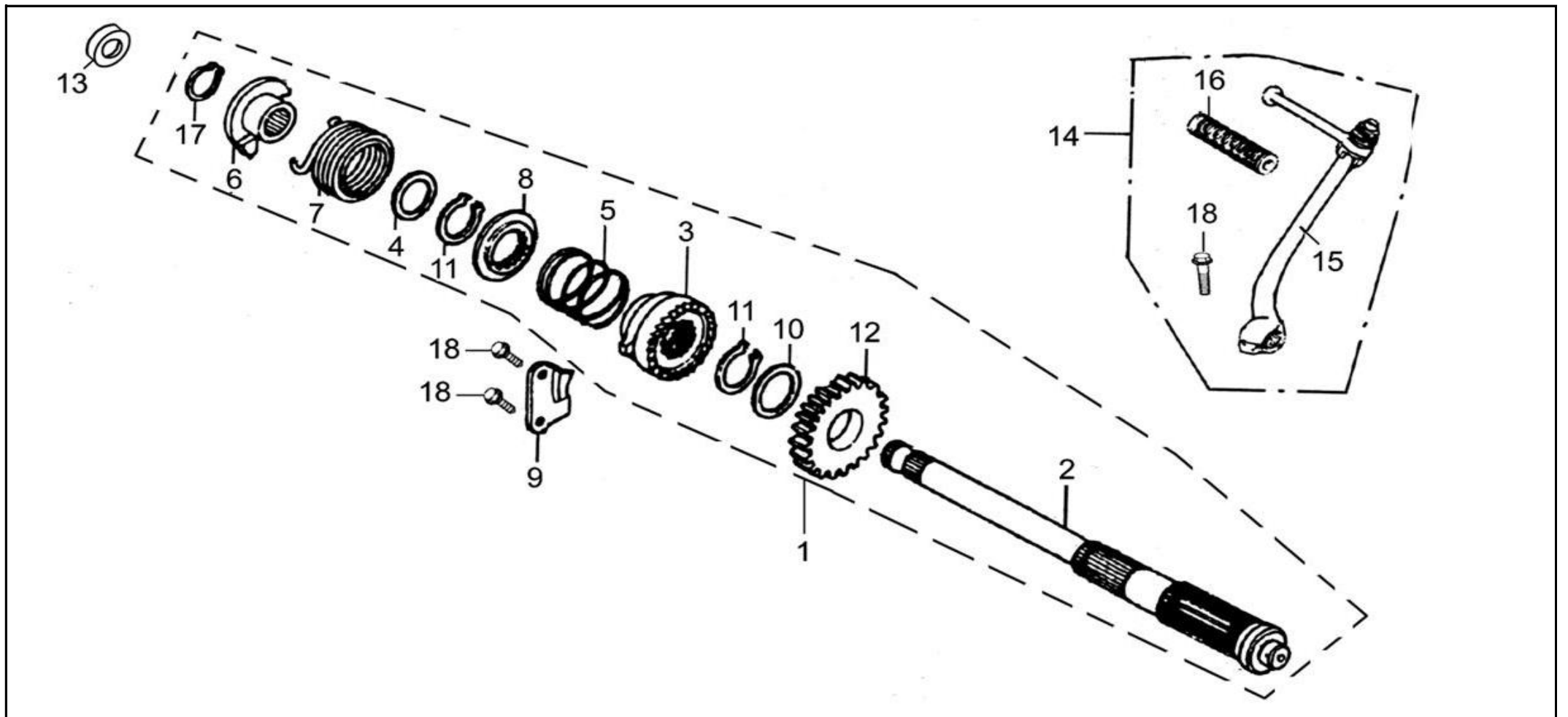
Crankshaft-Piston

No.	Part No.	Type	Description
1	13100		Conrod set
2	13111		Left crankshaft
3	13118		Key
4	13121		Right crankshaft
5	13131		Conrod
6	13141/150FMG		Crank Pin
7	13150/150FMG		Rollor bearing
8	13211/1P39FMB		Piston
9	13221/1P39FMB		Piston pin
10	13222/1P50FMG		Collar
11	13300/1P39FMB		Piston ring assy
12	13311/1P39FMB		Piston ring (1st)
13	13312/1P39FMB		Piston ring (2nd)
14	13320/1P39FMB		Oil ring
15	14311/150FMG		Time driving spocket
16	GB276-89		Bearing 6304



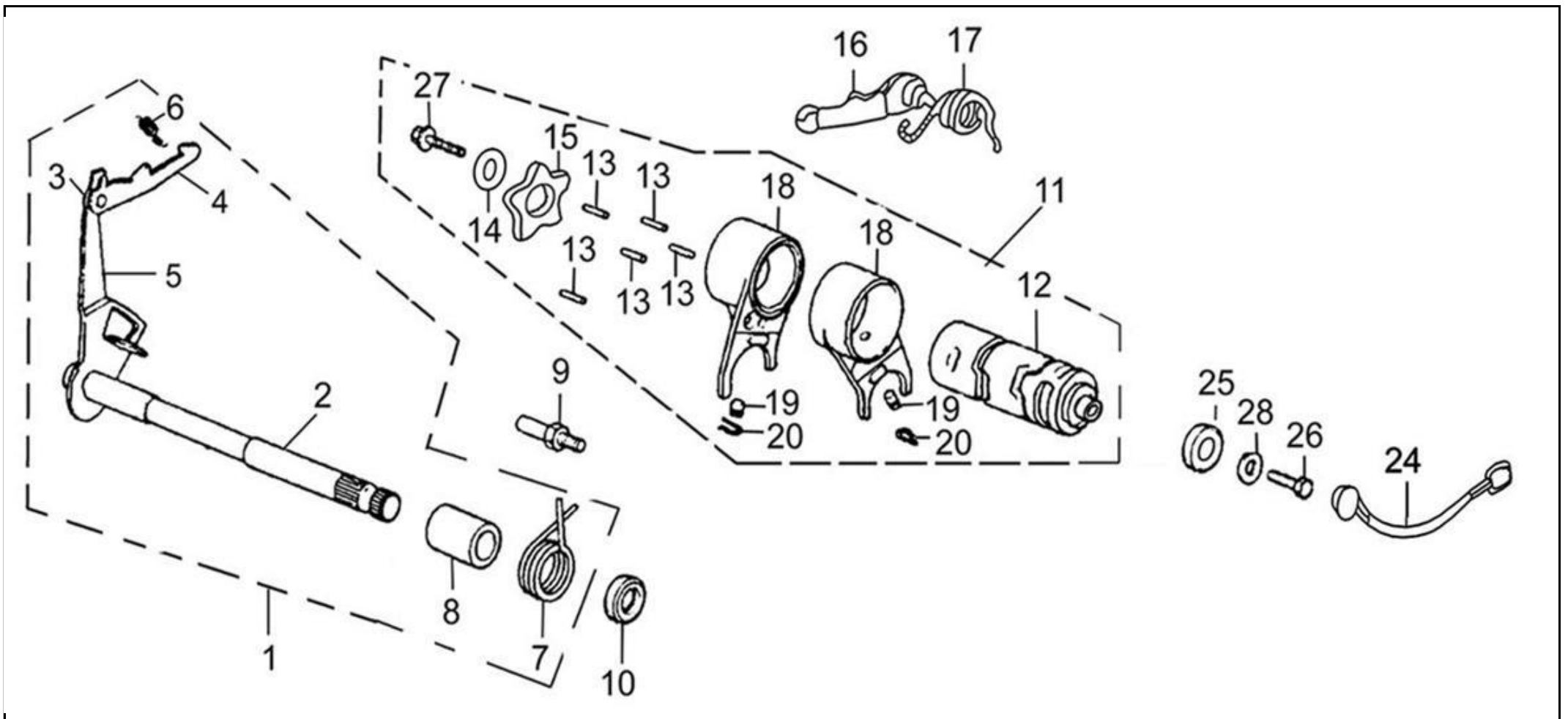
Driving Shaft

No.	Part No.	Type	Description
1	22711/1P50FMG		Driving spocket
2	22712/1P50FMG		Spocket limit plate
3	23600		Driving assy
4	23611		Driving Shaft
5	23621		Driving Gear(2nd)
6	23631		Driving Gear(3rd)
7	23641		Driving Gear(4th)
8	23672/1P50FMG		Spring collar
9	23675/1P50FMG		Key washer
10	23700		Driven assy
11	23711		Driven Shaft Gear(1st)
12	23712/1P50FMG		Sleeve
13	23721		Driven Gear(2nd)
14	23731		Driven Gear(3rd)
15	23741		Driven Gear(4th)
16	23771		Driven Shaft
17	23773/1P50FMG		Washer`
18	23774/1P50FMG		Washer
19	23775/1P50FMG		Key washer
20	23790/1P50FMG		Oil seal
21	GB5780-86		Bolt M6×8
22	GB276-89		Bearing 6203
23	GB276-89		Bearing E101
24	GB276-89		Bearing 6201



Start Device

No.	Part No.	Type	Description
1	27100/1P47FMG		Start shaft assy
2	27111/1P47FMG		Start shaft
3	27113/1P50FMG		Start ratchet
4	27114/1P50FMG		Washer
5	27115/1P50FMG		Spring
6	27117/1P50FMG		Spring
7	27118/1P50FMG		Reset spring
8	27121/1P50FMG		Spring set
9	27131/1P50FMG		Guide
10	27141/1P50FMG		Washer
11	27142/1P50FMG		Collar
12	27151/1P50FMG		Start gear
13	27190/1P50FMG		Oil seal
14	27700/150FMG		Start arm set
15	27710/150FMG		Start arm assy
16	27713/150FMG		Step capsule
17	22634/1P50FMG		collar
18	GB5783-86		Bolt M6×20



Transmission Device

No.	Part No.	Type	Description
1	24100/1P50FMG		Gear shaft set
2	24110/1P50FMG		Gear shaft assy
3	24114/1P50FMG		Gear shaft set
4	24115/1P50FMG		Assistant board set
5	24121/1P50FMG		Set
6	24122/1P50FMG		Spring
7	24123/1P50FMG		Spring
8	24125/1P50FMG		Guide sleeve
9	24131/1P50FMG		Diaplasis Spring mechanism screw
10	24190/1P50FMG		Seal (11.6×24×10)
11	24200		Drum assemblage assy
12	24211		Drum
13	24212		Pin
14	24213		Limit plate
15	24221		Gear shaft
16	24310/1P50FMG-3		Anti-Moving set
17	24323/1P50FMG-3		Limit spring
18	24411		Fork
19	24414		pin
20	24415		Split pin
24	35730		Switch Assy
25	35760/1P50FMG		Rotator assy
26	GB70-85		Bolt M2×20
27	GB819-86		Screw M4×16
28	GB93-87		Pring washer 6