

A36A50M Spare parts list

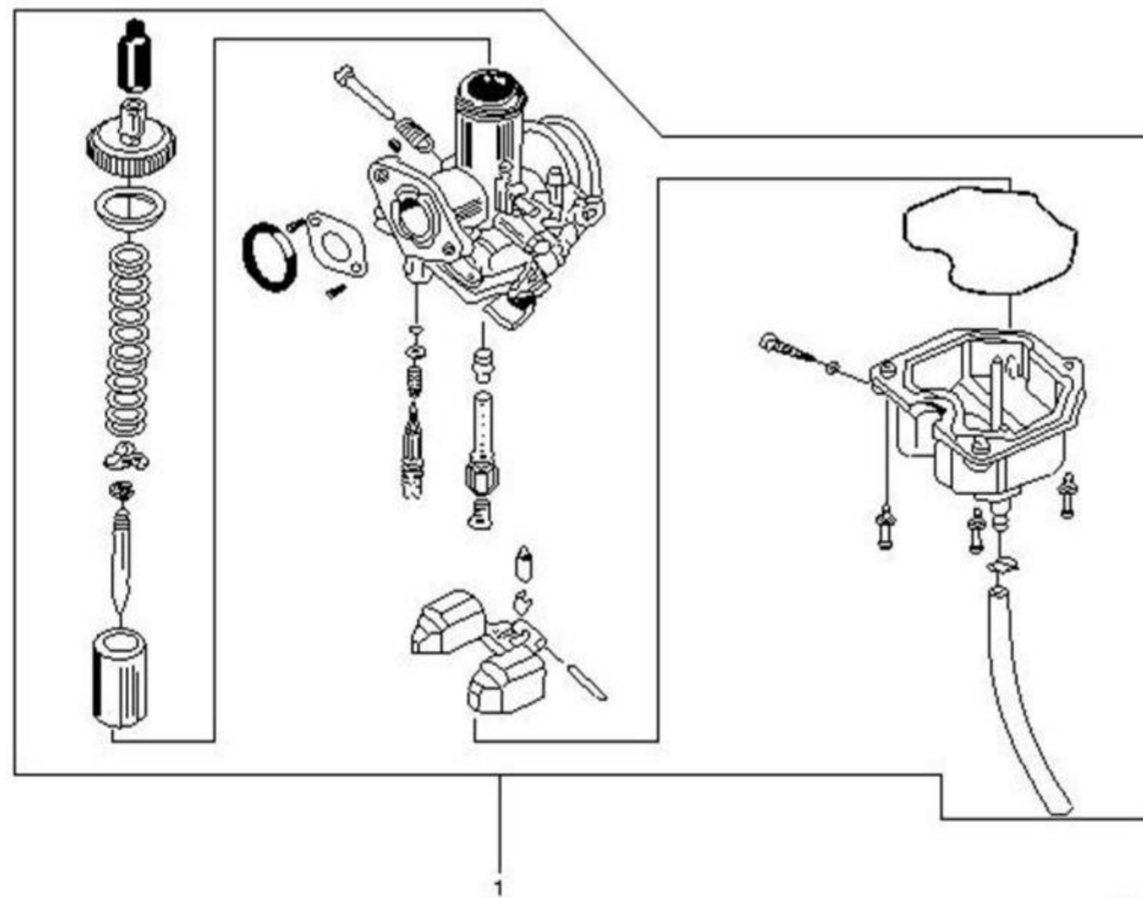
INDEX

	PAGE	
	1	CARBURETOR
	2	ELECTRIC(E-START)
	3	PEADL CONTROLLER
	4	HANDLE CONTROLLER
	5	空滤器/排气消声器 AIR FILTER/MUFFLER
	6	油箱/油开关 FUEL TANK/FUEL COCK
	7	前减震 FR.DAMPER
	8	车体盖 SEAT/PLASTICS
	9	车架 FRAME
	10	前轮/前碟刹 FR.WHEEL/FR.BRAKE ASSY.
	11	后轮/后碟刹 RR.WHEEL/RR.BRAKE ASSY.
	12	方向把/方向柱 HANDLE BAR/STEERING STEM
	13	后叉 RR.SWING ARM
	14	脚踏/侧支架 FOOT PEG/KICK STAND



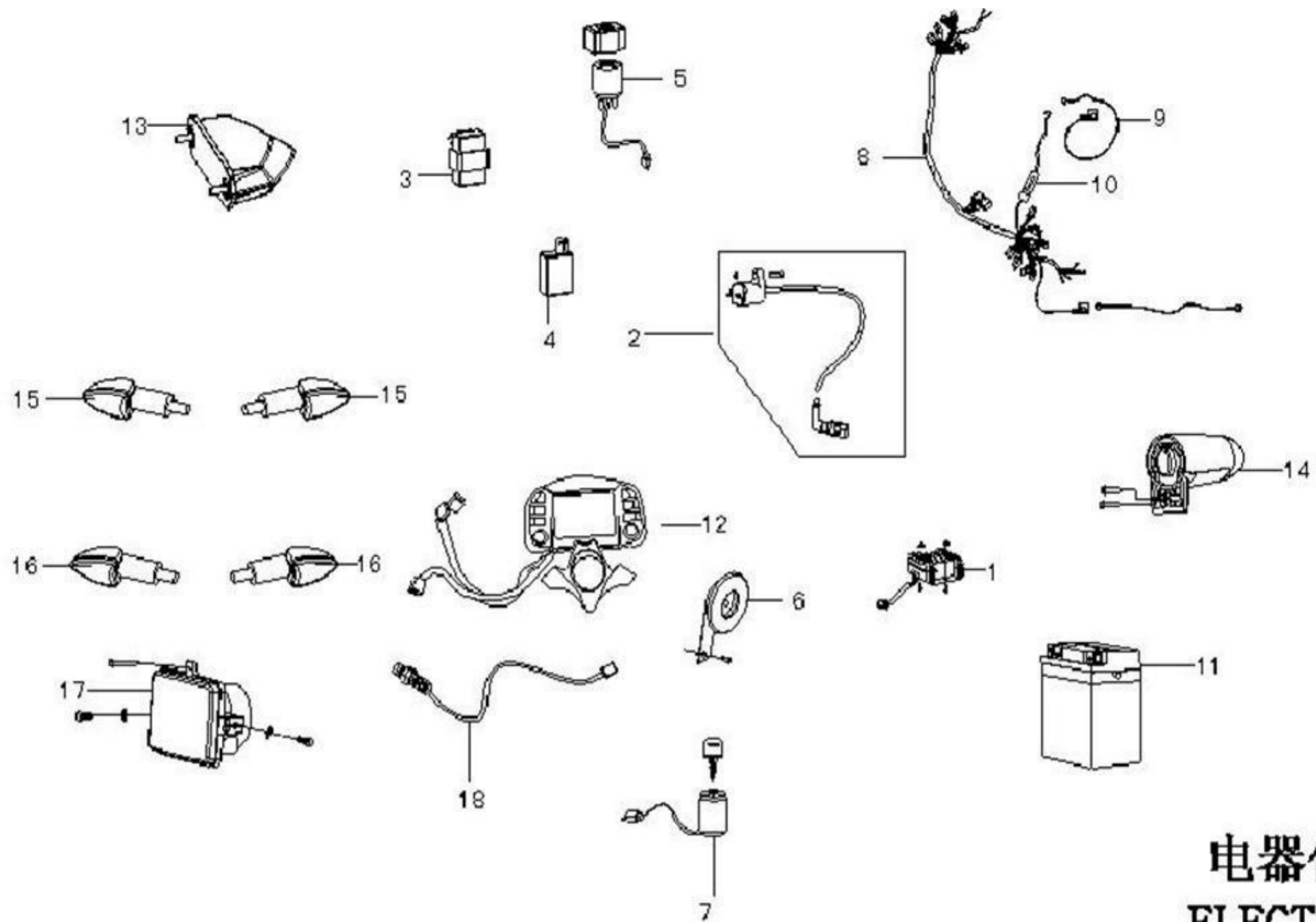
ENGINE ASSY.

No.	Part No.	Type	Description
1	2300301001310	(APL139FMB-2)	ENGINE ASSY.

化油器
CARBURETOR

CARBURETOR

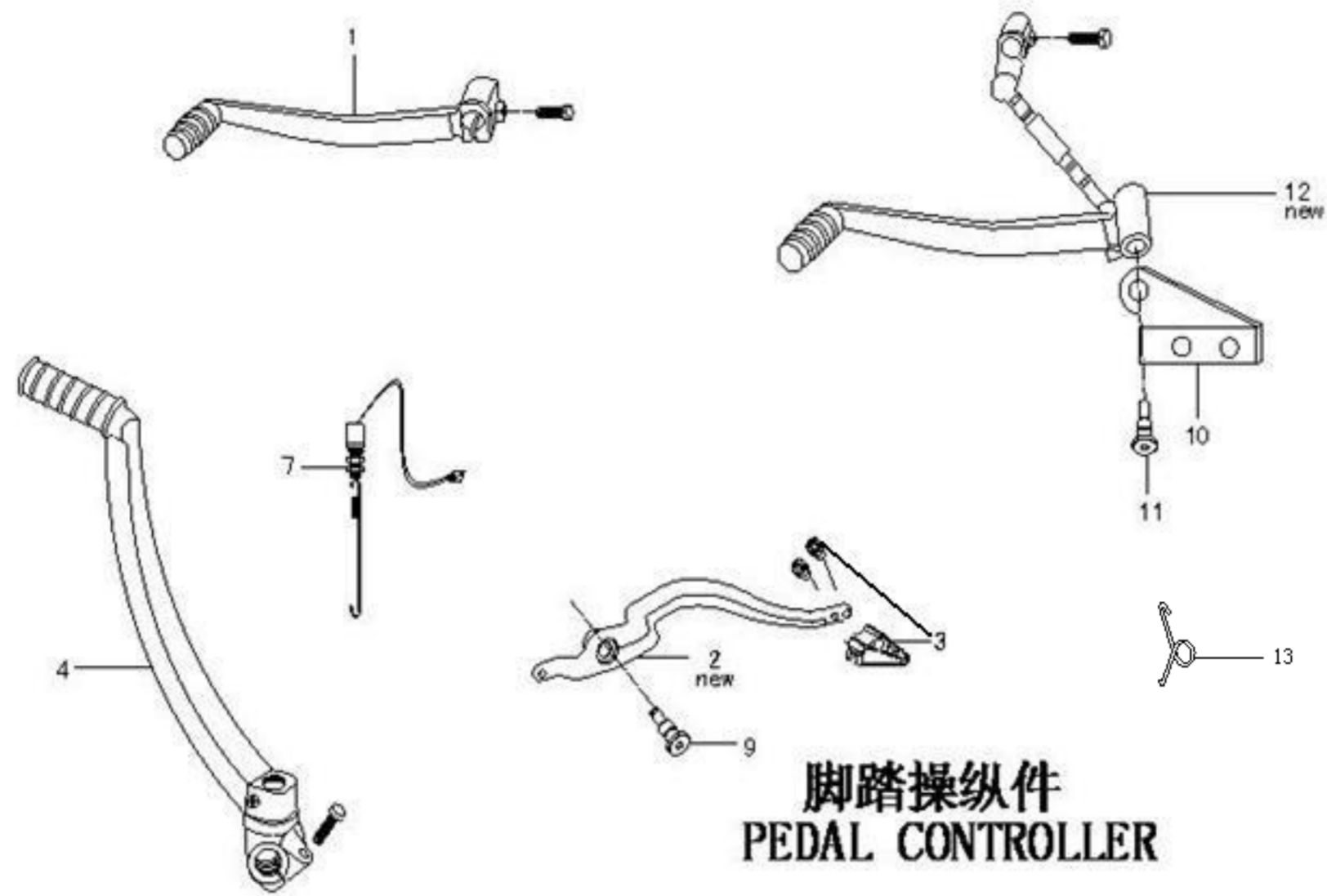
No.	Part No.	Type	Description
1	1400300260001	PZ17	CARBURETOR



电零件 ELECTRIC

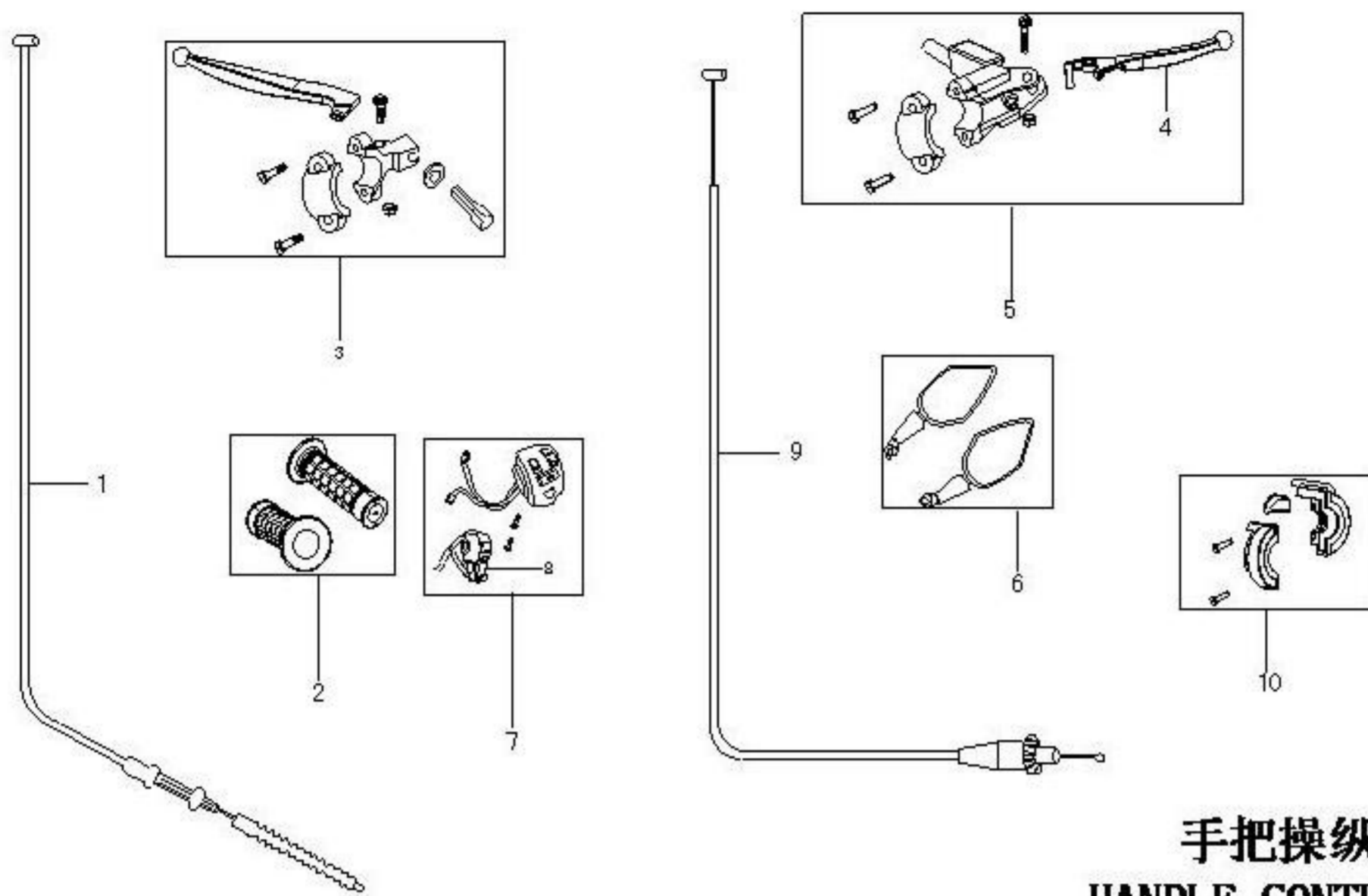
ELECTRIC (E-START)

No.	Part No.	Type	Description
1	1100300050010	A30E (8级开关-APL-SS8101A)	RECTIFIER
2	1100100020010	30-WY125pb	COIL ASSY , IGNITION
3	1100400290010	I01	CDI ASSY.(WATERPROOF TERMINAL)
4	1101709020001	36-12V	TURN SIGNAL FLASHER
5	1100200010010	通用	STARTING SOLENOID
6	1101708020001	DL128 (E13 000614)	HORN
7	1101707060001	36-线长450	IGNITION LOCK
8	1100805150001	A36-带电阻 (三代)	HARNEES (E-Start)
8	1100805160001	A36-带电阻-大运开关	HARNEES (E-Start)
9	1100806040001	A36-200mm	CABLE,BATTERY
10	1100807020001	15A	FUSE ASSY.
11	1100600100001	12N9(135X75X139)	BATTERY
12	1101705190001	M18-带发动机转速-线长450	METER
13	1101704050001	36-WAMA81-A002 (50R-0013282)	TAIL LIGHT
14	1101704030001	31-GH (E4 50R-001157)	LICENSE PLATE LIGHT
15	1101702080001	36-LED (E4-50R-001312)	TURN SIGNAL .F
16	1101703080001	36-LED (E4-50R-001312)	TURN SIGNAL .R
17	1101701020001	31-GH (E4 50R-0012613)	HEAD LIGHT
17	1101701060001	36-KTM (E4-50R-0013459)	HEAD LIGHT
18	1101712040001	31	SPEED SENSOR(WATERPROOF TERMINAL)



PEDAL CONTROLLER

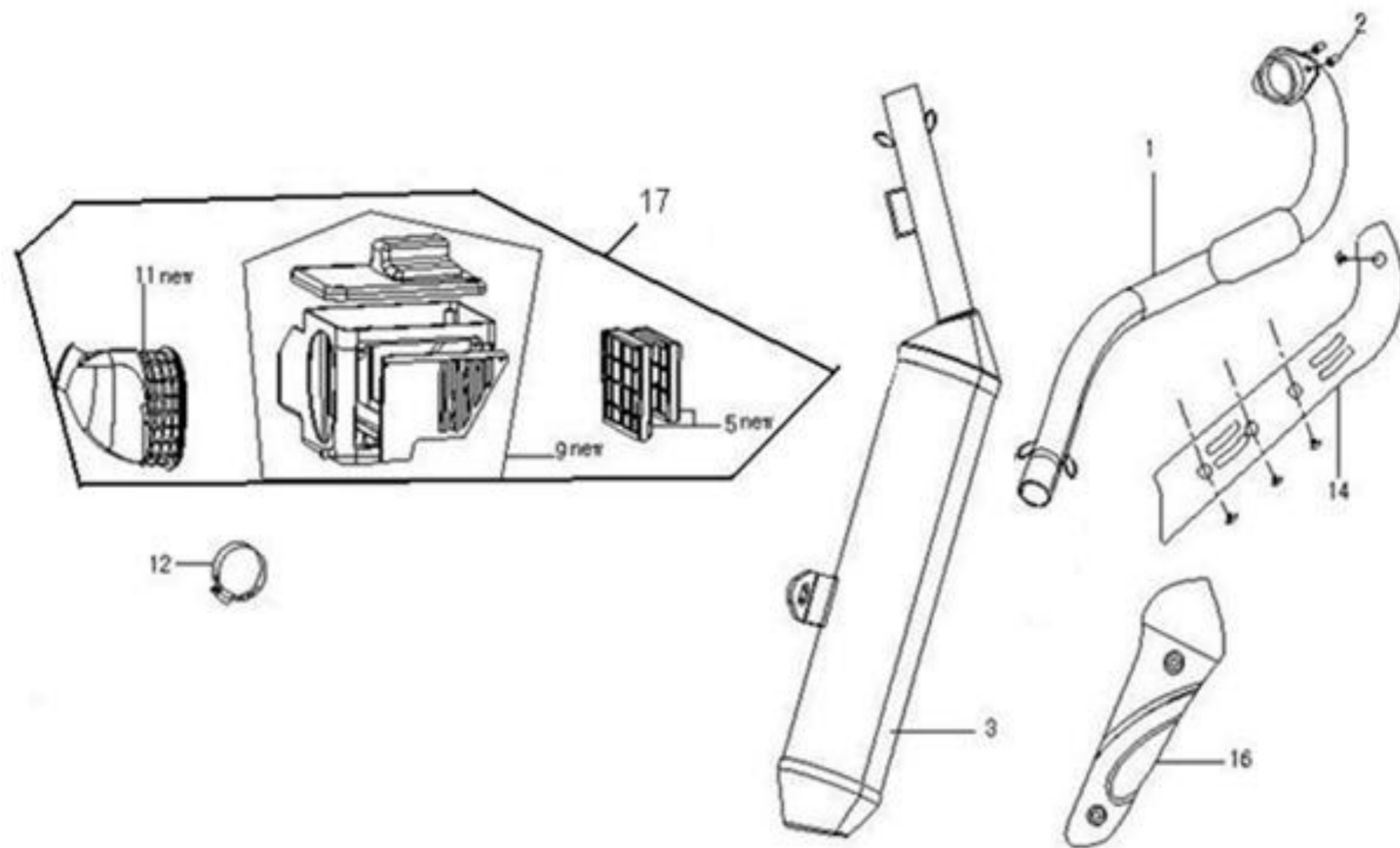
No.	Part No.	Type	Description
1	2330201002101	立APL139FMB. 50CC(力帆)	GEAR SHIFT LEVER
2	0701900160410	36-II-M10	RR.BRAKE LEVER.NEW DESIGN
3	0500500010501	APL-I	BRAKE LEVER TIP
4	27700/150FMG	立APL139FMB. 50CC(力帆)	KICK STARTER
7	1101720020001	独立式-带弹簧	THE SWITCH OF REAR BRAKE
9	0804102031501	36-新-M10	BOLT(M10)
10	0300210010410	A36A	BRAKET OF GEAR SHIFT LEVER
11	0804101091501	M8X12X45	BOLT
11	0804101101501	M10X12X45	BOLT
12	2330201002102	立APL139FMB. 50CC(力帆)	GEAR SHIFT LEVER
13	0802902020107	36	SPRING



手把操纵件
HANDLE CONTROLLOR

HANDLE CONTROLLER

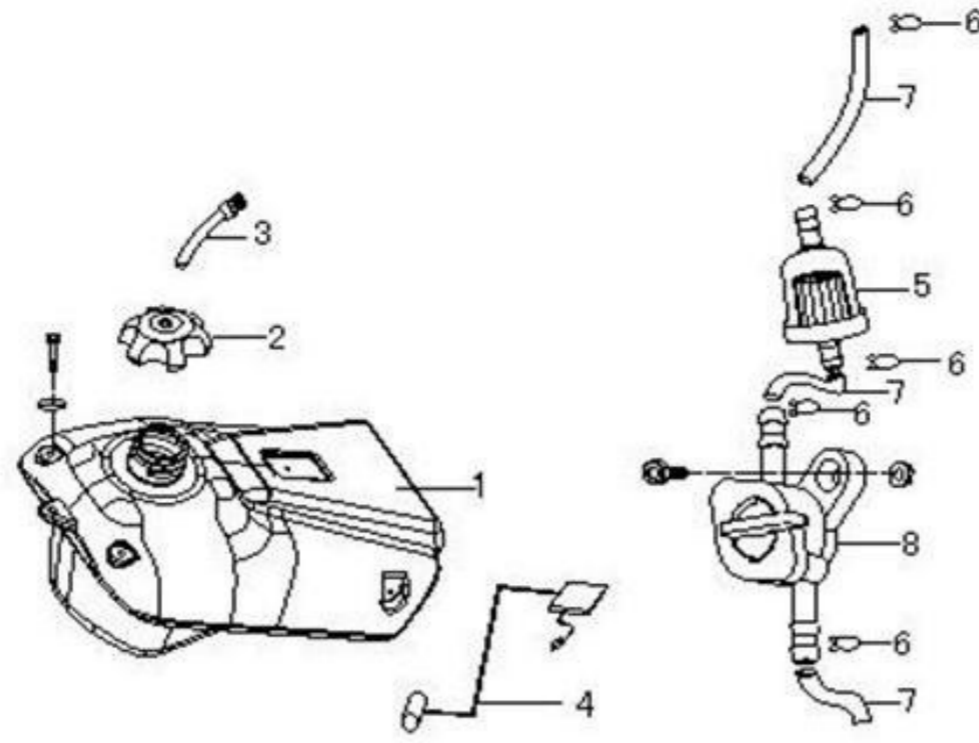
No.	Part No.	Type	Description
1	1401000270001	双截型(长950mm.露80mm)	CABLE ASSY , CLUTCH
2	0900100070010	APL-II-PPR	GRIP ASSY.
2	0900100080010	APL-II-PPR- 无内芯	GRIP ASSY.
3	0100600040501	31-带开关	CLUTCH LEVER ASSY.
4	0101200030501	31	FR.BRAKE LEVER ASSY.
5	1401513050001	31-带刹车把手	OIL PUMP WITH BRAKE LEVER
6	1400301020001	31-YH051-座孔M10(E4-81R-000182)	REARVIEW MIRROR
7	1101706020001	31	LT.CONTROLLOR
7	1101706060001	36-大运带风门	LT.CONTROLLOR
8	1100500010001	31	START SWITCH ASSY.
9	1400900140001	长1000mm.露115mm	THROTTLE CABLE
9	1400900320001	弯接头-长1000-露90	THROTTLE CABLE (大运开关)
10	0100500010510	APL-I	HOLDER ASSY,THROTTLE



空滤器/排气消声器
AIR FILTER/MUFFLER

AIR FILTER/MUFFLER

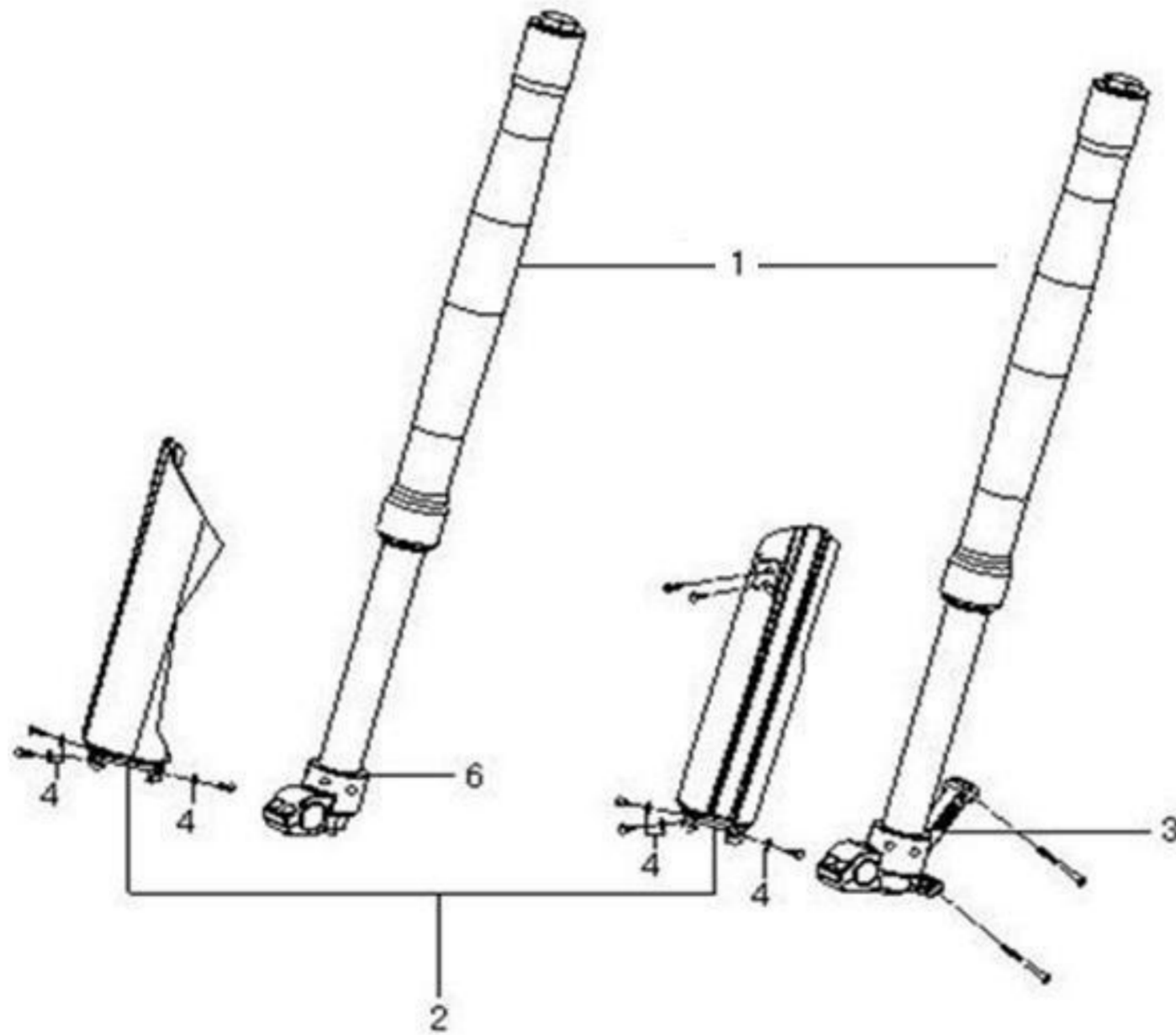
No.	Part No.	Type	Description
1	1401801260111	A36A50-抱箍式(Φ28. e4 ORION DM)	EXHAUSE PIPE (use Hoop)
2	0800501011501	M6X14mm	NUT
3	1401802230001	A36A50	REAR EXHAUST PIPE (use Hoop)
5	1400503030001	36	AIR FILTER
9	1003500040010	36	CASE , AIR FILTER
11	0901801050010	36	AIR INLET PIPE
12	1400501041401	38-57	LOCK HOOP , CONNECT PIPE
14	1401910060001	36系列	EXHAUST SHIELD
14	1401910110001	36系列-菱形冲孔	EXHAUST SHIELD
16	1004500010010	36	MUFFLER PROTECT COVER
17	310204	A36系列	AIR FILTER ASSY.



油箱/油开关
FUEL TANK/FUEL COCK

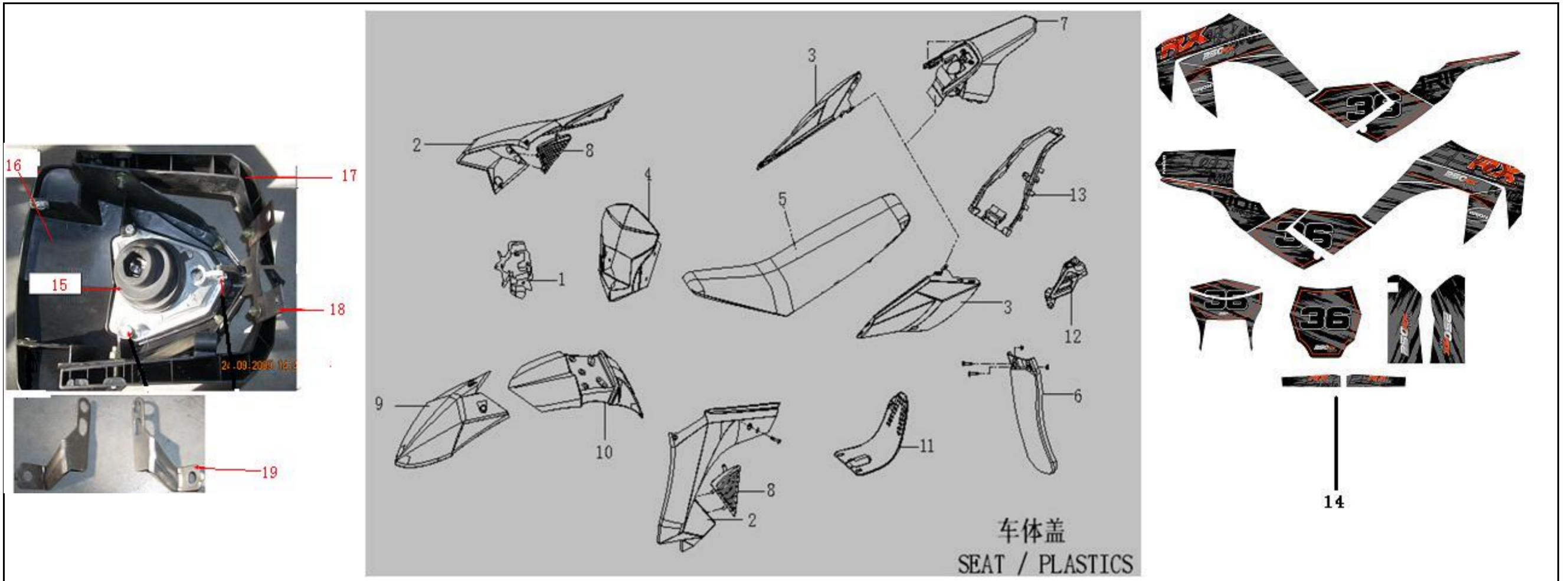
FUEL TANK/FUEL COCK

No.	Part No.	Type	Description
1	1001000180010	A36-有孔	FUEL TANK
1	1001000240010	36-II-锁型式-有孔	FUEL TANK WITH LOCK CAP STYLE
2	1001100010010	通用-塑料	FUEL CAP
2	1001100050010	A36-ZD214-露长8mm	FUEL CAP WITH LOCK+IGNITON KEY
3	1400600060001	单向	FUEL CAP BREATHER HOSE
4	1101713010001	31-液晶仪表	FUEL LEVER SENSOR
5	1001800010001	通用	FUEL FILTER
6	0704500070107	Φ9X8X0.8	HOSE CLAMP
7	0901000040010	Φ4.5XΦ10	FUEL HOSE
8	1400400010001	29	PET-COCK



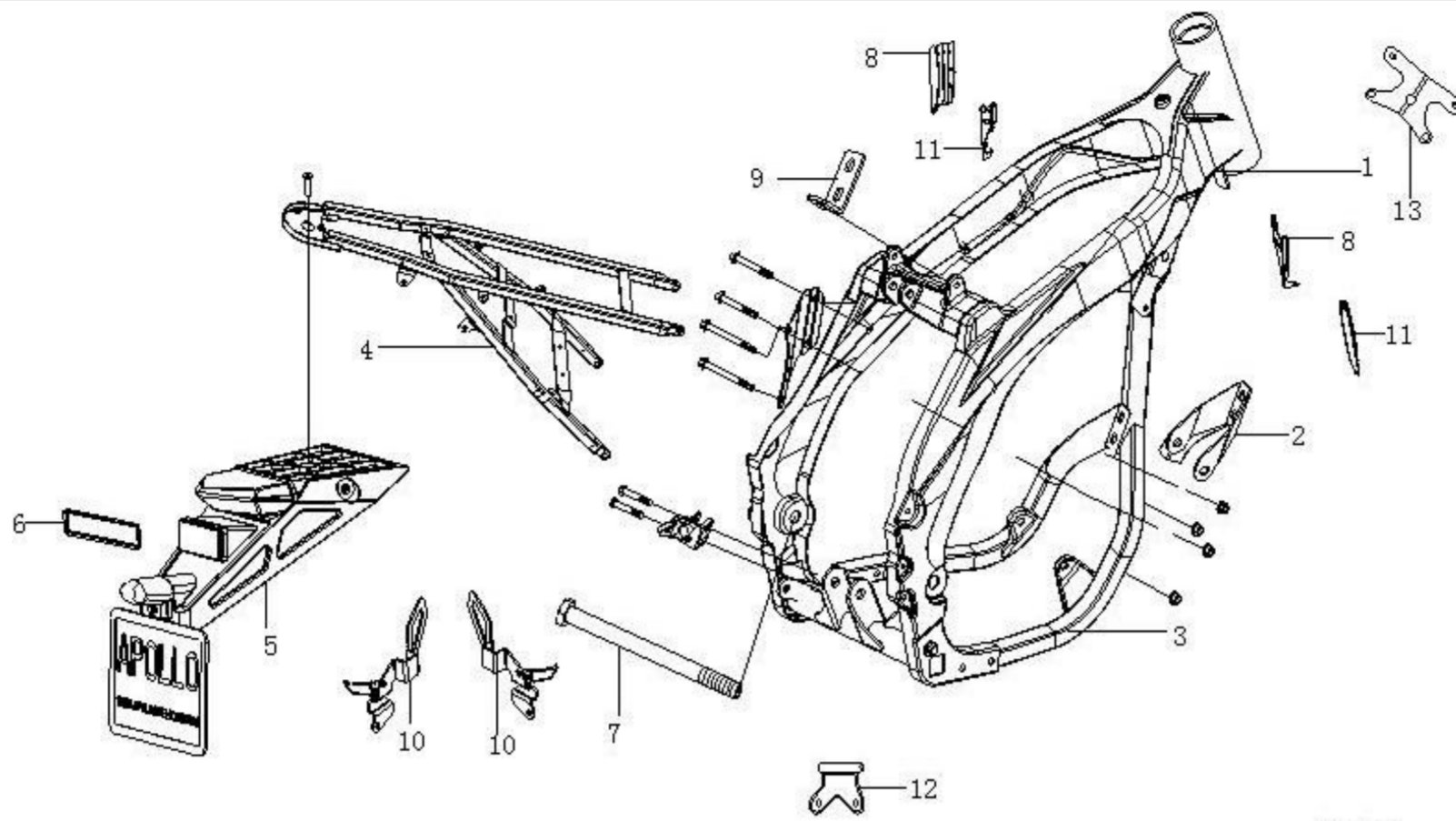
FR.DAMPER

No.	Part No.	Type	Description
1	1402410040010	A36-不可调,长880mm. Φ54X57mm	ASSY FR.FORK.L
2	1000600030010	31	FORK PROTECTIVE COVER
3	1401208030010	31款	ALUMINIUM TIP OF FRONT SHOCK.L
4	0820109021401	Φ6XΦ16X1	WASHER φ6.6×φ12×1.6mm
6	1401209030010	31款	ALUMINIUM TIP OF FRONT SHOCK.L



SEAT / PLASTICS

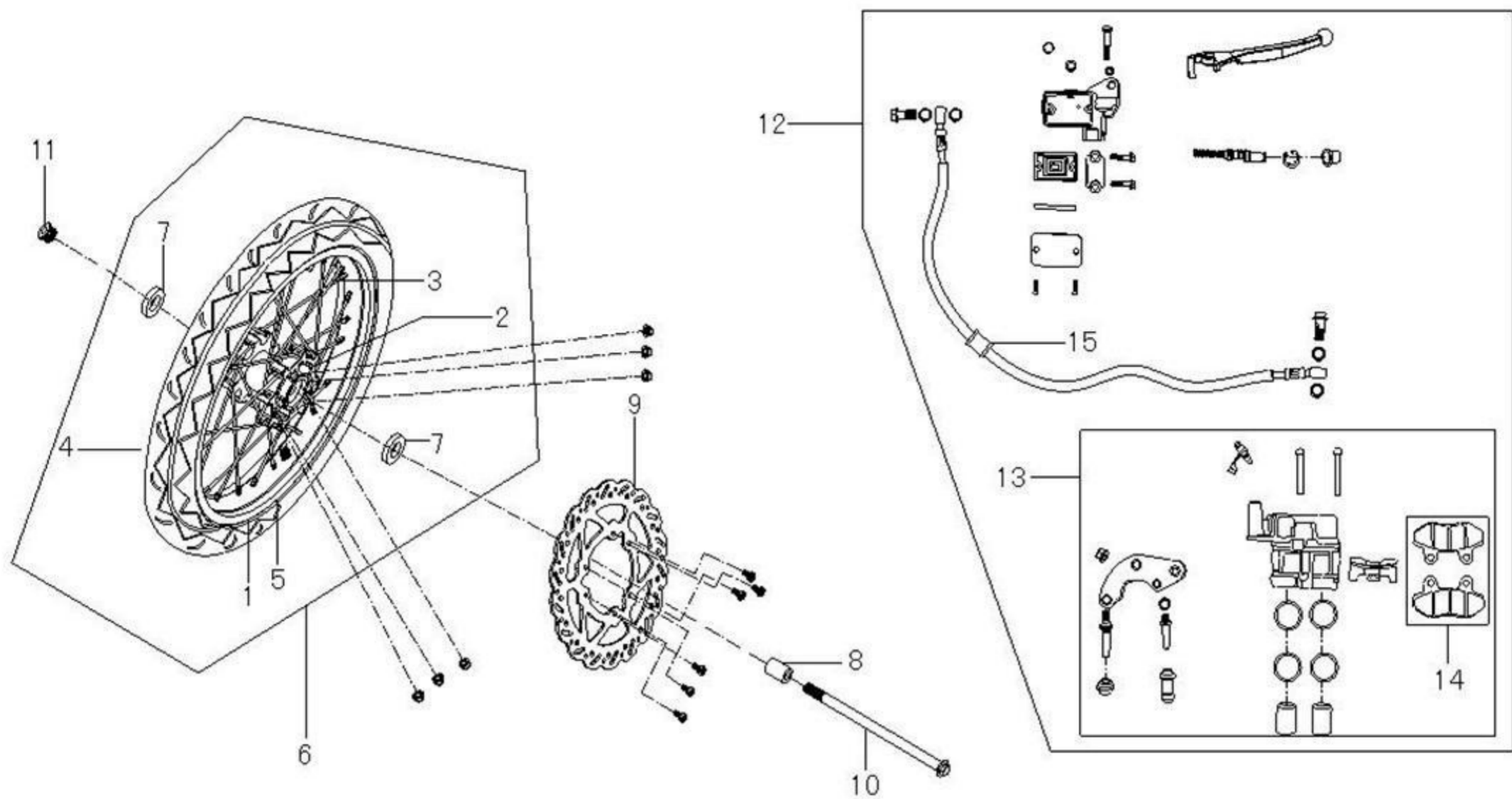
No.	Part No.	Type	Description
1	1000908010010	31	METTER BRACKET
2	1000200080010	36	FRONT COVER
3	1000300070010	36	REAR COVER
4	1000901040010	36	PROTECT , FT LIGHT
5	1001200150010	36	SEAT
6	1001700020010	31	REAR MUD FLAP
7	1000800080010	36	REAR FENDER
8	1000210010010	36	FT.LEFT COVER
9	1001501100010	36-17/17公路胎	FRONT FENDER. RRONT PART
10	1001501070010	36	FRONT FENDER. REAR PART
11	1000909010010	36	ENGINE PLATE(PLASTIC)
12	1002201010010	36	REAR BRAKE ASSY COVER
13	1004700010010	36	REAR MUD COVER
14	1002700250003	RX50	Sticker
15	1101701060001	36-KTM (E4-50R-0013459)	KTM HEAD LIGHT
16	1000901050010	36-KTM	PROTECT , FT KTM LIGHT, Black
17	1000913010010	36-KTM	PROTECT JOINT
18	0701608040411	36-KTM- 液晶仪表	SUPPORT FOR HEADLIGHT COVER
19	0701608030411	36-KTM	SIDE SUPPORT FOR HEADLIGHT COVER



车架
FRAME

FRAME

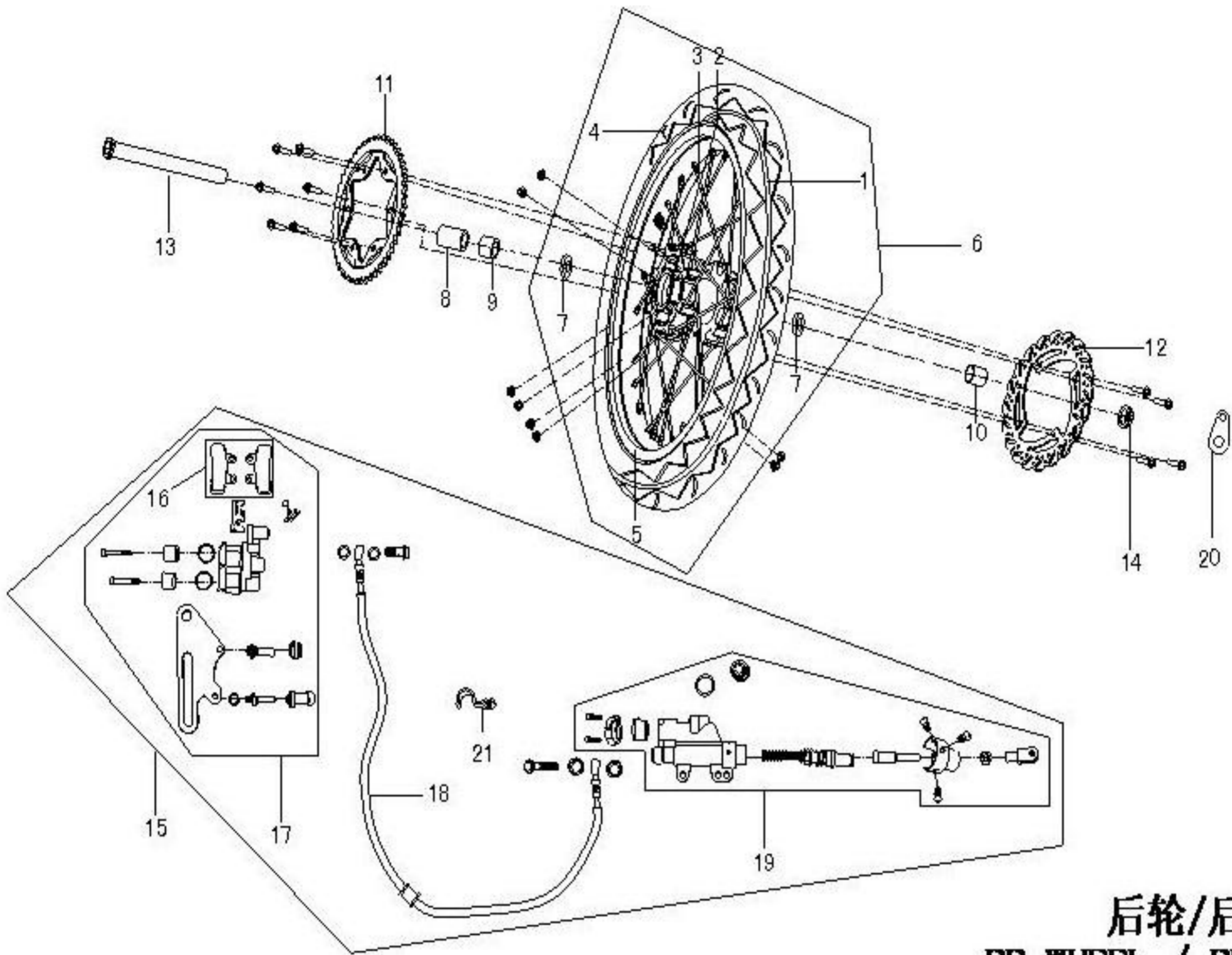
No.	Part No.	Type	Description
1	0700100360410	36	FRAME
2	0703200030410	36	BRACKET ENGINE
3	0703300030410	36	UNDER ENGINE SUPPORT
4	0702300170410	36	SUB-FRAME
5	1000907020010	36	BRACKET FOR TAILLIGHT
6	1402800010001	KM-202 (1A-E9-021269)	REAR REFLECTOR
7	0703901230107	M14X1.5X275mm	SWING ARM AXIS
8	1001400060008	36	AIR DEFLECTORS
9	0701605020410	36	FUEL TANK BRACKET
10	34020111	36	REAR FOOTPLATE
11	0702900050410	36	NRACKET OF AIR DEFLECTORS
12	0705504020410	A36A50	BRACKET FOR ENGINE
13	0701608010410	36	SUPPORT FOR HEADLIGHT COVER



前轮/前碟刹
FR. WHEEL/FR. DISK BRAKE

FR.WHEEL/FR.BRAKE ASSY.

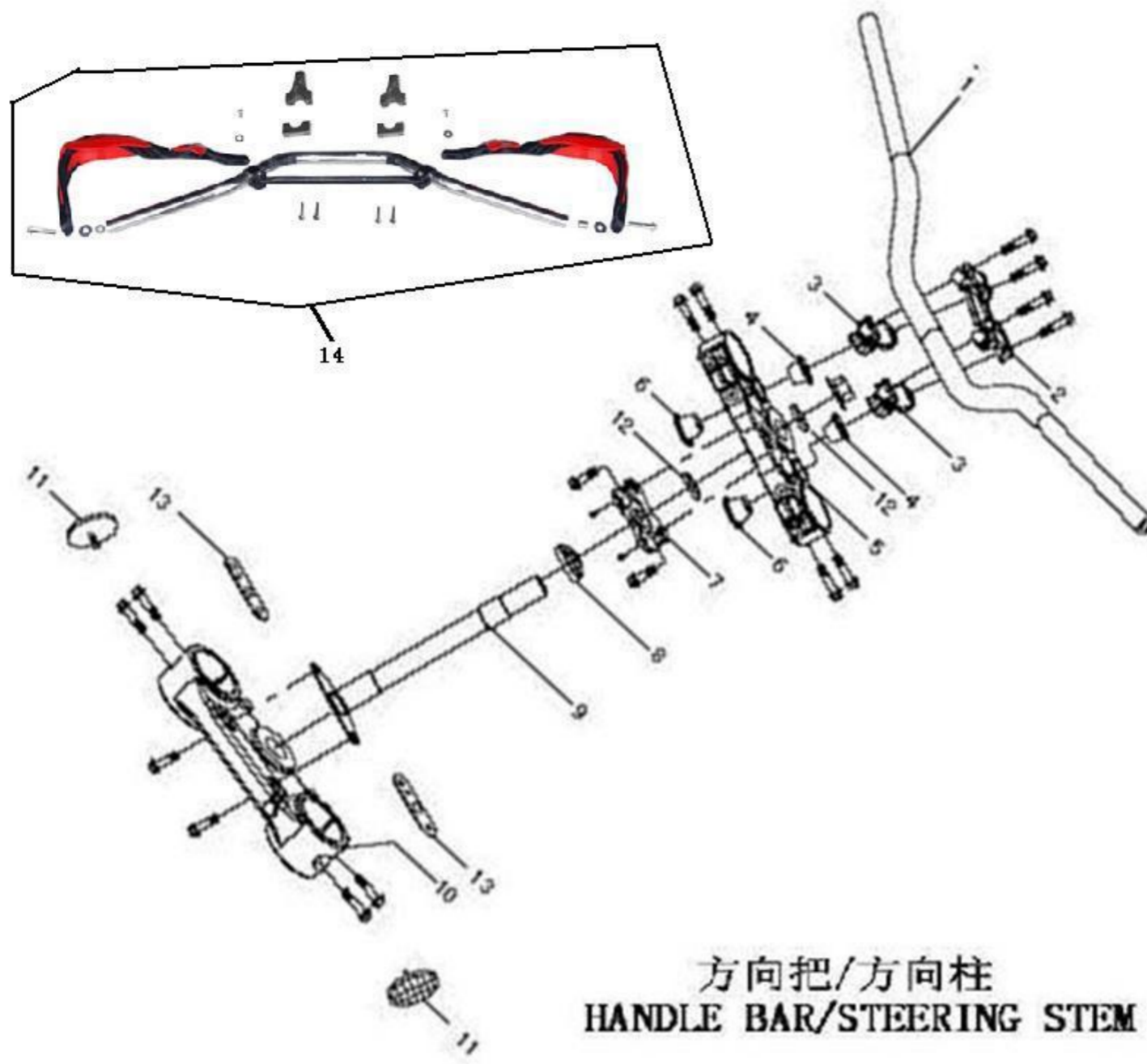
No.	Part No.	Type	Description
1	0901201090010	110/70-17(远星)	INNER TUBE 110/70-17
2	0501917030510	L-M25-2. 5X17 (250-6)	FR.HUB 2.5×17 alloy
2	0501931030512	L-M25-2. 5X17 整体式	FR.HUB 2.5×17 ALL-IN-ONE RIM NO SPOKE
3	1806204110101	17"	SPOKE , FR.WHEEL 17"
4	0901100250010	110/70-17 M/C(远星E4-75R-0005102)	FR.TIRE 110/70-17
5	0901103050010	17"	INNER TUBE PROTECTOR 17"
6	1401114010010	110/70-17	FRONT WHEEL
7	1806205080010	32X42	OIL SEAL
8	0703905060107	∅ 25. 5X ∅ 32X30mm	R.SPACER , FR.WHEEL
9	0701301140001	31-H ∅ 270X ∅ 101	FRONT-BRAKE DISK
10	0703902160107	M22X1. 5X222mm(一代. 配液晶仪表)	FRONT AXLE
11	0803701100107	M22X1. 5X23	NUT
12	1402050160001	36-管长1300_插片式带线开关_银把手	FR.DISK BRAKE ASSY.
13	1402901040001	31	FR.CALIPER ASSY.
14	1401503060009	31前-铜	FR.BRAKE PAD ASSY(copper)
15	0901701070010	31	FR.BRAKE HOSE



后轮/后制动器
RR. WHEEL / RR. BRAKE

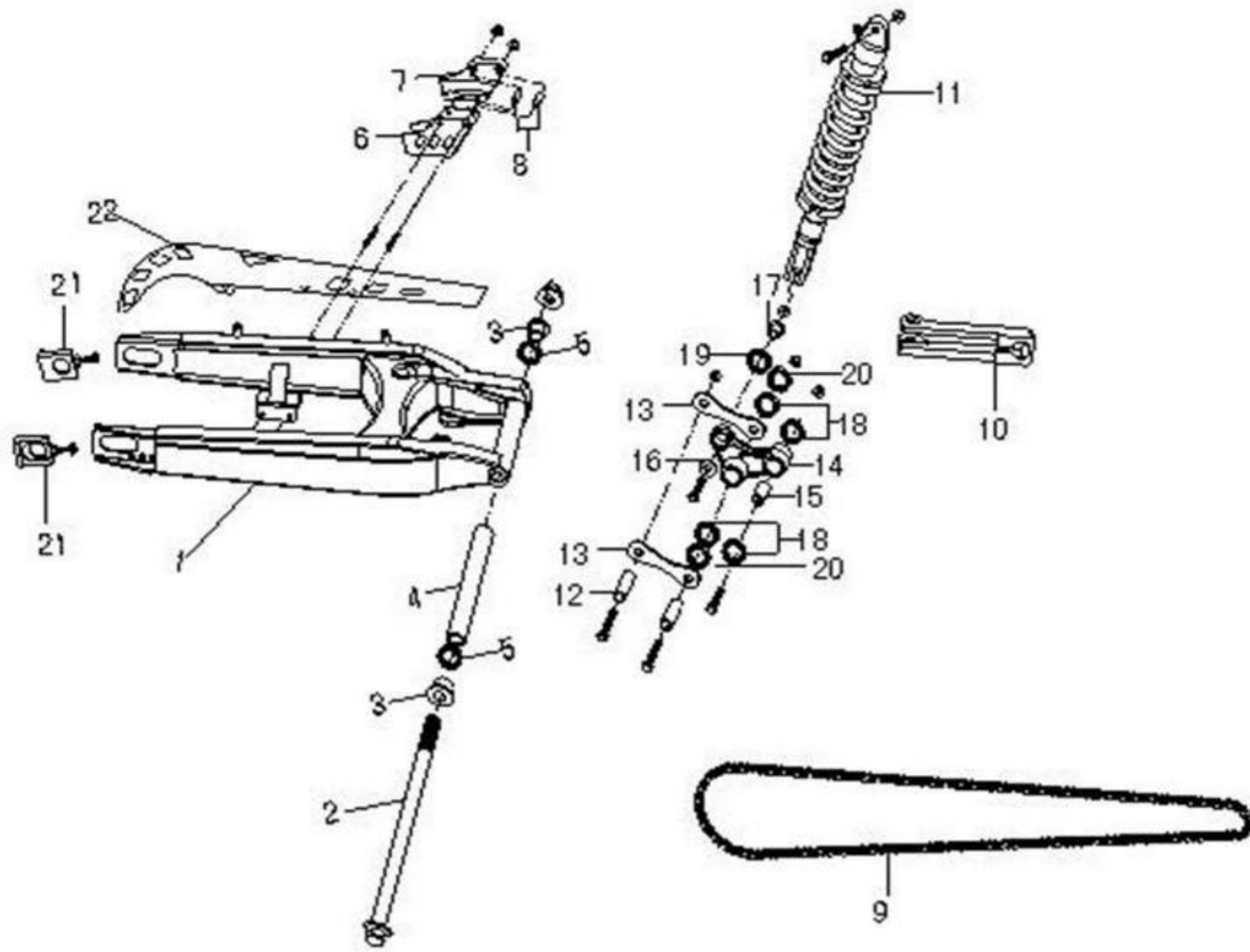
RR.WHEEL/RR. BRAKE ASSY.

No.	Part No.	Type	Description
1	0901201160010	130/70-17 (远星)	INNER TUBE 130/70-17
2	0501924030510	L-M25-2. 5X17 (250-6)	ALLOY RIM , RR.HUB 3.00×17
2	0501932010512	L-M25-3. 0X17	ALLOY RIM, RR.HUB 3.00×17 ALL-IN-ONE
3	1806304100101	17"	INNER SPOKE,RR.WHEEL 17"
4	0901100290110	130/70-17	RR.TIRE 130/70-17
5	0901103050010	17"	INNER TUBE PROTECTOR 17"
6	1401715010110	130/70-17	REAR WHEEL
7	1806209040010	250-6	OIL SEAL
8	0703905070107	∅ 25. 5X ∅ 32X40mm	SPACER
8	0703905160107	∅ 25. 5X ∅ 38X40mm (台阶 ∅ 38X5mm)	SPACER
9	0703905080107	∅ 25. 5X ∅ 32X17. 5mm	SPACER
10	0703905170107	∅ 25. 5X ∅ 38X16	SPACER
11	0701800230101	B58A(428-125X58T)	REAR SPROCKET
11	0701800230101	B58A(428-100X58T)-配整体式轮毂	REAR SPROCKET
12	0701302140001	31-H ∅ 240X ∅ 121	REAR-DISC
12	0701302170001	整体式轮毂-H ∅ 238X ∅ 116	REAR-DISC
13	0703903170107	M24×1.5×265mm	REAR AXLE
14	0803701200107	M24×1.5×12mm	NUT
15	1401502150001	36-弯型接头. 油管长580mm	REAR BRAKE ASSY.
16	1401503070009	31后-铜	RR.BRAKE PAD SET(copper)
17	1402902040001	31	RR .CALIPER ASSY.
18	0901702100010	36	RR .BRAKE HOSE
19	1402903120001	36	RR MASTER CYLINDER ASSY
21	0500300010501	29系列.30系列.30D系列	VITTA CLIP WEDGE



HANDLE BAR/STEERING STEM

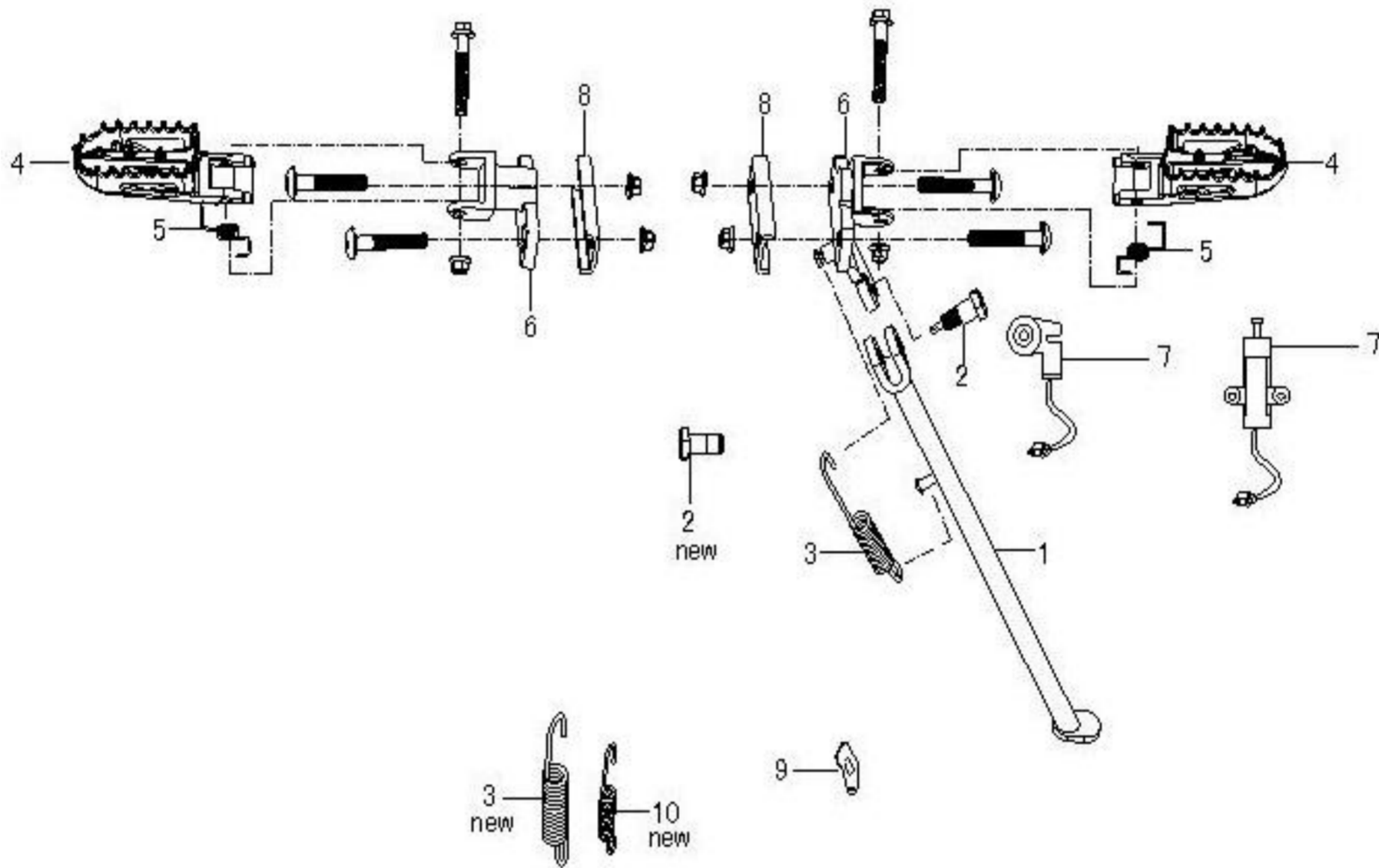
No.	Part No.	Type	Description
1	0500100030810	31- ϕ 22mm \times 810mm	HANDLE BAR
2	0100401050810	31	RISER, TOP BRACKET
3	0100402050810	31	RISER, BOTTOM
4	0900902010010	31	LEATHER OF UP FIX
5	0100701120810	36-2	TRIPLE CLAMP, TOP
6	0701200020201	M25 (S32*25*1)	NUT STEERING UPPER
7	0701606010410	31	BRACKET FOR SPIGOT LOCK
8	0701100030101	M25*1*62	STEERING STEM LOCK NUT
9	0701000080107	31-M25 \times 1 \times 280mm	STEERING STEM
10	0100702110810	36	TRIPLE CLAMP, BOTTOM
11	1402800020001	KM-101	SIDE REFLECTOR
12	0803501020101	320/28	BEARING
13	0705000050410	31.36系列	FRONT REFLECTOR BRACKET
14	360101	31.36系列	Handlebar Guard



后叉
RR. SWINGARM

RR. SWINGARM

No.	Part No.	Type	Description
1	0700200180410	36	REAR SWING ARM
2	0703901230107	M14X1.5X275mm	REAR SWING ARM BOLT
3	0703800080107	φ 15.5X φ 20X18 (台阶 φ 30X3mm)	STEP BEARING
4	0710105030107	φ 15.5X φ 21X170mm	CHAIN-GUIDE INSERT
5	0803301040101	HK2016	NEEDLE BEARING
6	1401400030410	30	CHAIN GUIDE-BRACKET
7	1000700030010	30	CHAIN-GUIDE INSERT
8	0710109040107	φ 7X φ 12X33mm	SPACER
9	0701700090001	428-140节	CHAIN
10	0900500070010	36	BUFFER CHAIN
11	1401203710010	36-可调. 410mm*1200LB*φ 10*23mm*20mm	REAR SHOCK
12	0710103040001	φ 12.5X φ 18X61mm	SPACER
13	0702800020410	36	LOWERING LINK
14	0100800010501	30	SUSPENSION LINKAGE
15	0710103030001	φ 12.5X φ 18X40mm	SPACER φ 12×φ 18×40
16	0703800290610	φ 10X φ 16X17 (台阶 φ 25X1.5)	STEP BUSH
17	0703800300610	φ 10.5X φ 16X17 (台阶 φ 16X15mm)	STEP BUSH
18	0803301010101	HK1812	NEEDLE BEARING HK18126
19	0803301030101	HK1616	NEEDLE BEARING HK1612
20	0805101020001	φ 18X φ 26X5mm	DUSTPROOF SEAL
21	0501800040501	31-铝. φ 25.5mm	R.ADJUSYER COMP, CHAIN
22	1002300040010	半包型	CHAIN COVER



脚踏/侧支架 FOOT PEG/KICK STAND ASSY

FOOT PEGS / SIDE STAND

No.	Part No.	Type	Description
1	0701610100410	直-250mm-双弹簧(开档8.5)	SIDE STAND FOR DOUBLE SPQING
2	0804401051501	双弹簧-直	SIDE STAND BOLT (FOR DOUBLE SPRING)
3	0803203020101	112mm	DOUBLE SPRING,SIDE STAND
3	0803203020101	通用	DOUBLE SPRING,SIDE STAND (OUTSIDE)
4	0400100050410	31款	FOOT PEGS
5	0802901040101	配新款脚踏	SPRING,FOOT PEGS
6	0300100040410	配双弹簧型(00-04B)	FOOT PEG - BRACKET (FOR DOUBLE SPRING)
7	1101710020001	A30E-线长600	SIDE STOP SWITCH
8	0704400020410	36	BRACKET SUPPORT
9	0400101010410	通用	SPRING CLIP
10	0803203030101	通用	DOUBLE SPRING,SIDE STAND (INSIDE)